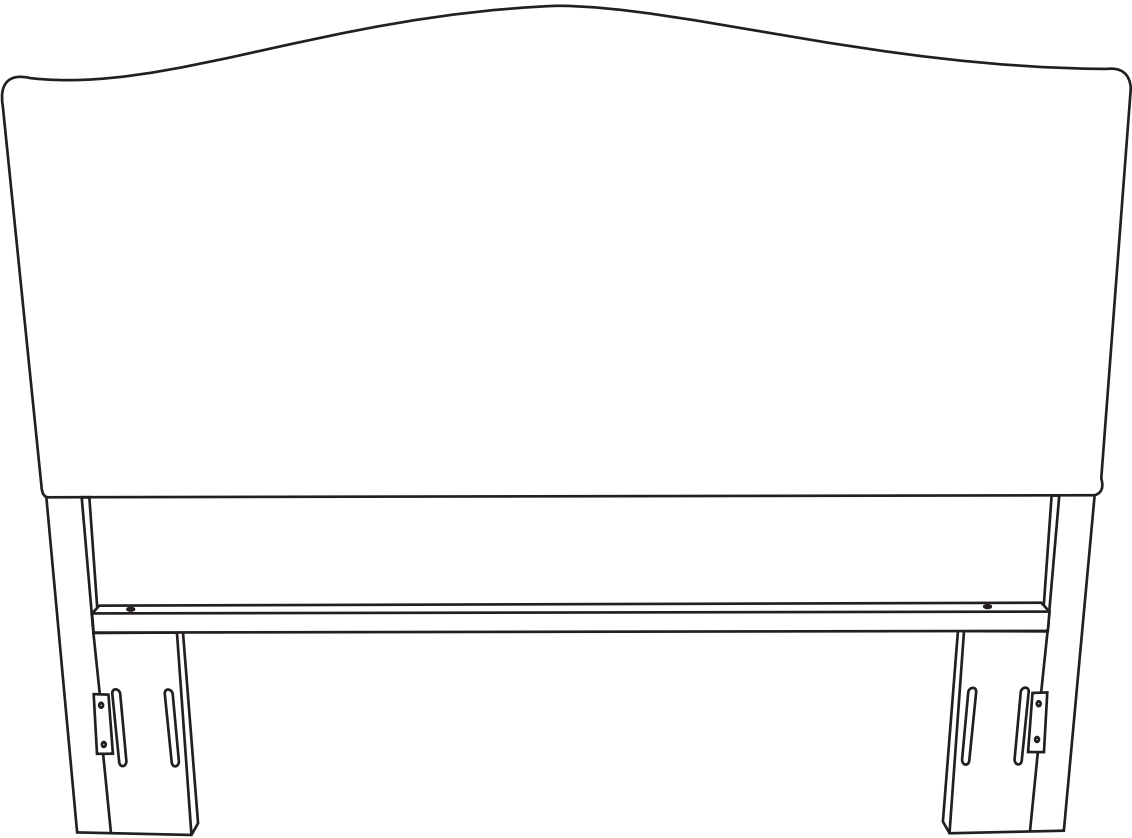
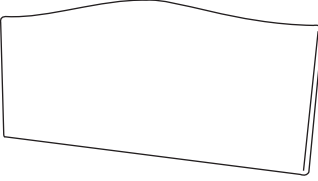

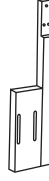



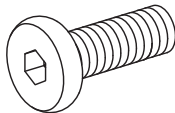
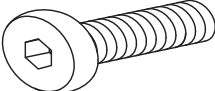
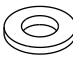

# Queen Headboard



# PART LIST

<p>A</p> 	<p>B</p> 	<p>C</p> 	<p>D</p> 
<p>Headboard Panel 1 PC</p>	<p>Right Headboard Post 1 PC</p>	<p>Left Headboard Post 1 PC</p>	<p>Crossbar 1 PC</p>

# HARDWARE LIST

<p>#1</p>  <p>½" x 1.½" L</p>	<p>#2</p>  <p>½" x 2" L</p>	<p>#3</p> 	<p>#4</p> 
<p>Short Bolt 6 PCS (Extra 1)</p>	<p>Bolt 2 PCS (Extra 1)</p>	<p>Small Flat Washer 8 PCS (Extra 1)</p>	<p>Allen Wrench 1 PC</p>



