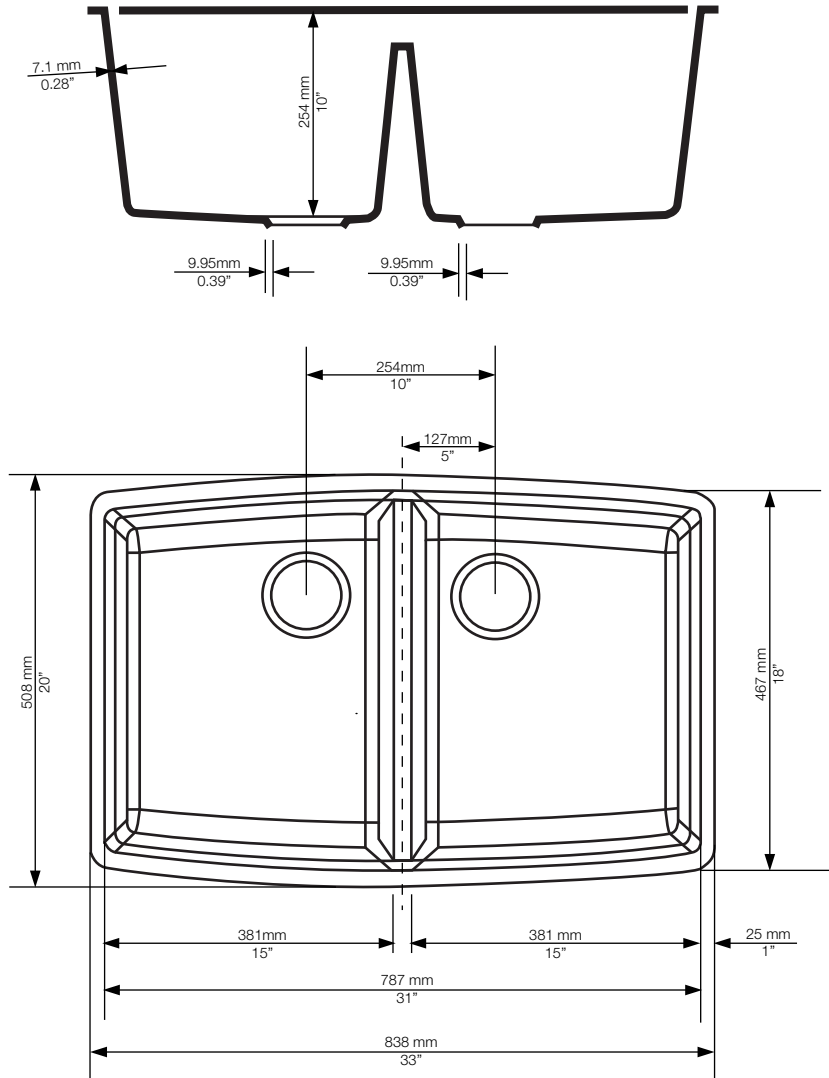




**CERAMIC
BASIN**

**BASIN
CÉRAMIQUE**



* Dimensions may vary +/- 1/4" (6mm) / Les dimensions peuvent varier de +/- 1/4" (6mm)



DIMENSIONS		WEIGHT POIDS		MATERIAL MATÉRIEL		DRAIN HOLE DIAMETER DIAMÈTRE DU TROU DE VIDANGE	
33 x 20 x 10" 840 x 510 x 255 mm		38.6 lbs 17.5Kg		Granite Granit		3.5" 90mm	
FINISH FINITION		DRAIN LOCATION LOCATION DU DRAIN		PIECES PIÈCES		COMPLIANCE CERTIFICATIONS:	
Black Noir		Center Centre		1 pc		Uniform Plumbing Code National Plumbing Code of Canada ASME A112.19.2-2018/CSA B45.1-18	