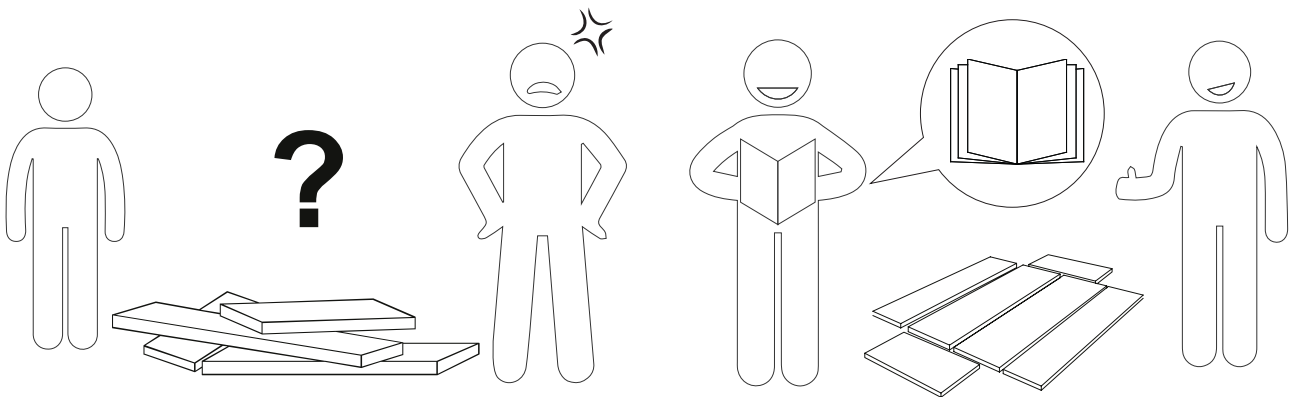
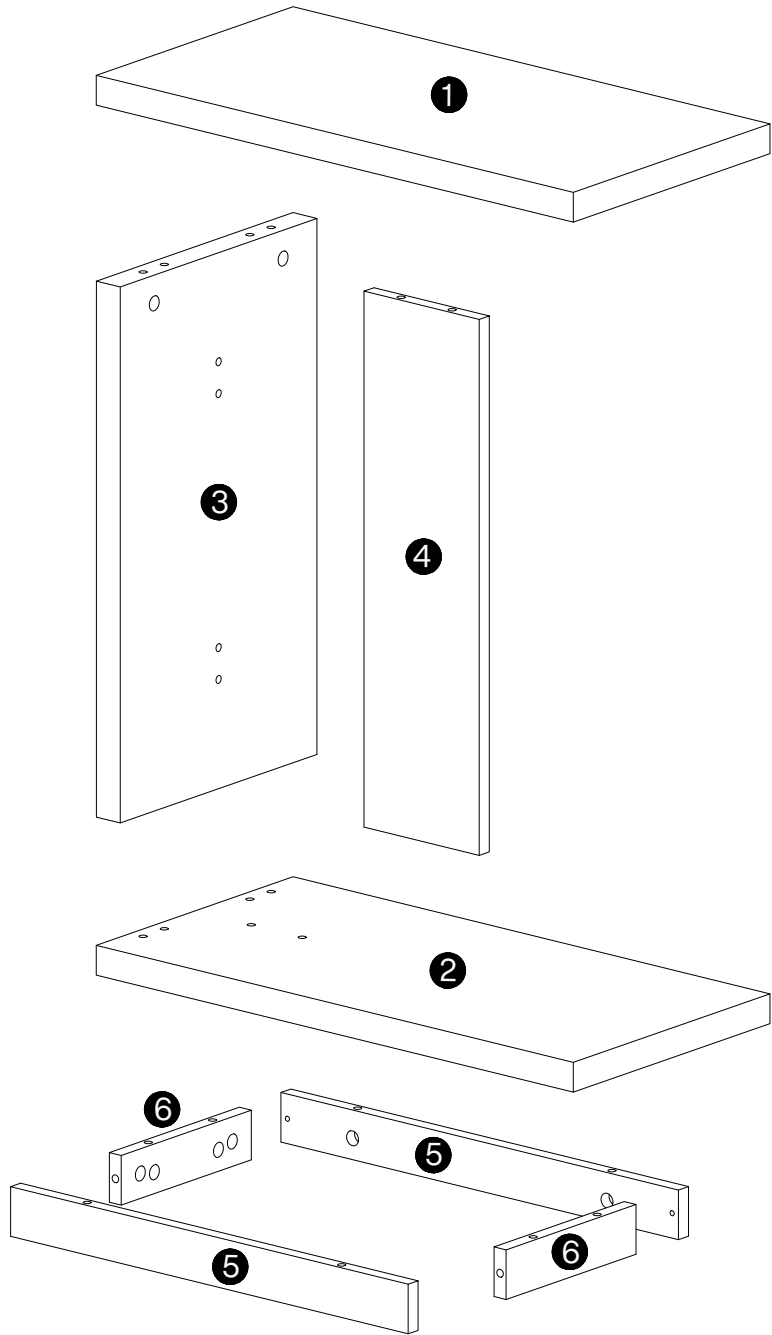


We recommend using hand tools for assembly.

If an electric screwdriver is used, reduce power and torque to avoid damage to the product.

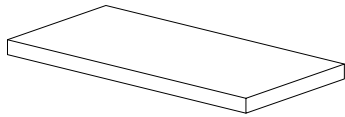




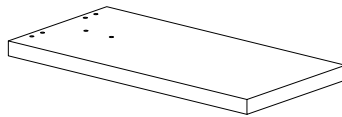
**⚠ Caution**

Make sure all parts are included. Most board parts are labeled or stamped on the raw edge. Contact us for a free replacement if you encounter any damaged or missing parts.

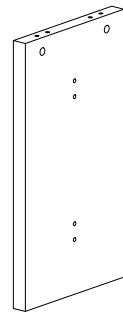
# Parts List



① 1pc



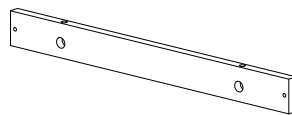
② 1pc



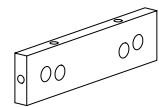
③ 1pc



④ 1pc

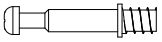




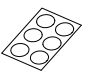


⑤ 2 pcs

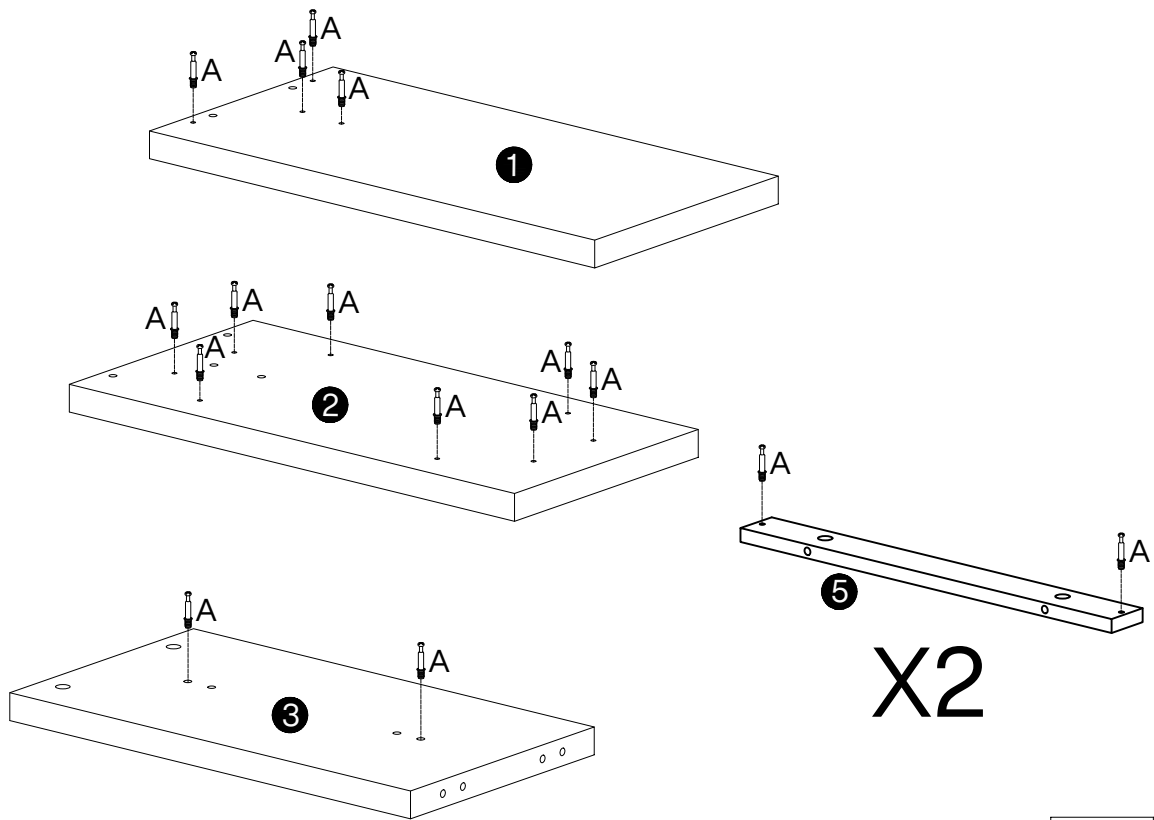


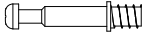
⑥ 2 pcs

# Hardware List

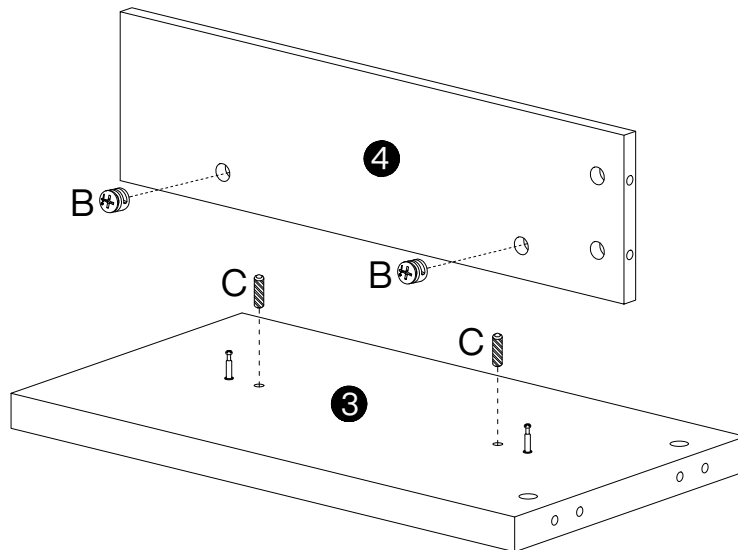
A	X18+1	B	X18+1	C	X6+1	D	X4+1	E	X1	F	X1
											
Ø6X35 mm		Ø15X12 mm		Ø8X30 mm		Ø7X57 mm		M4X64mm		Ø20 mm	



1



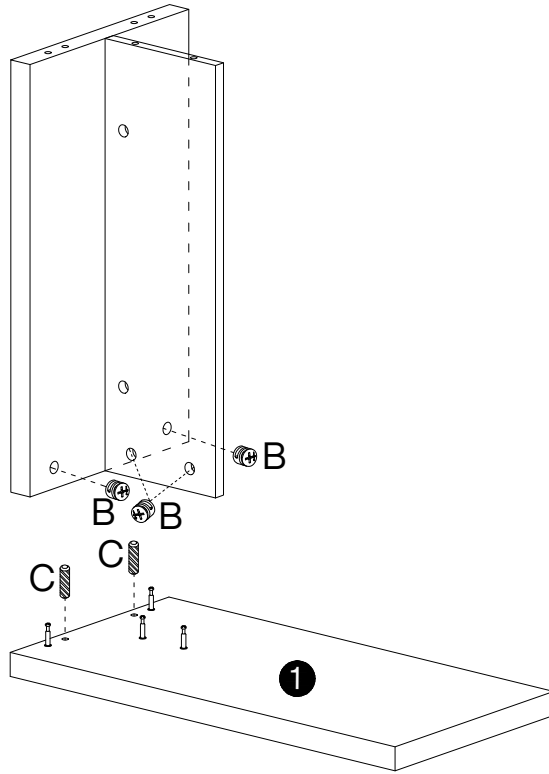
A	X18
	
Ø6X35 mm	



2



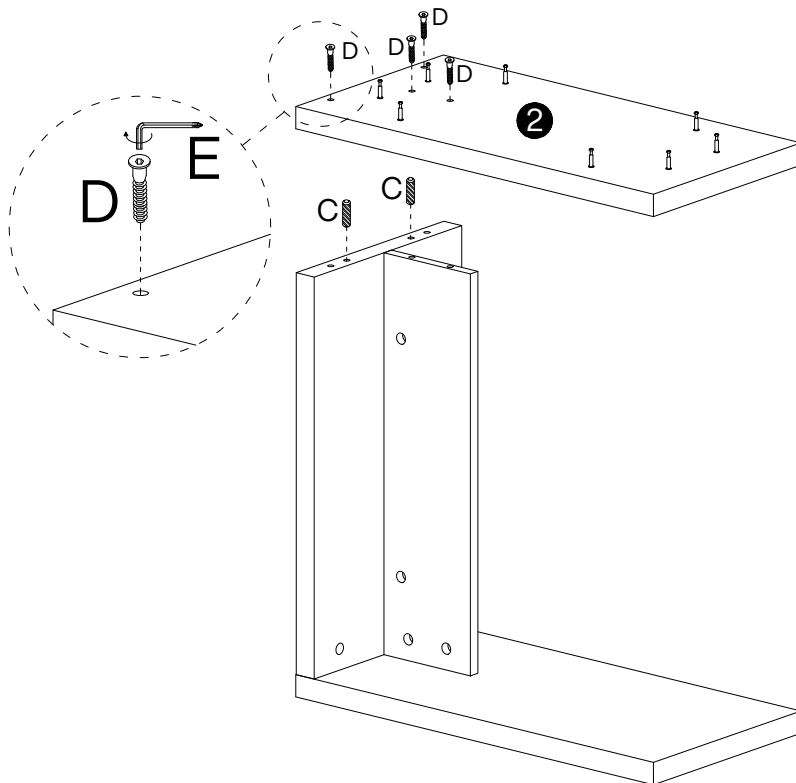
B	X2	C	X2
			
Ø15X12 mm		Ø8X30 mm	




3



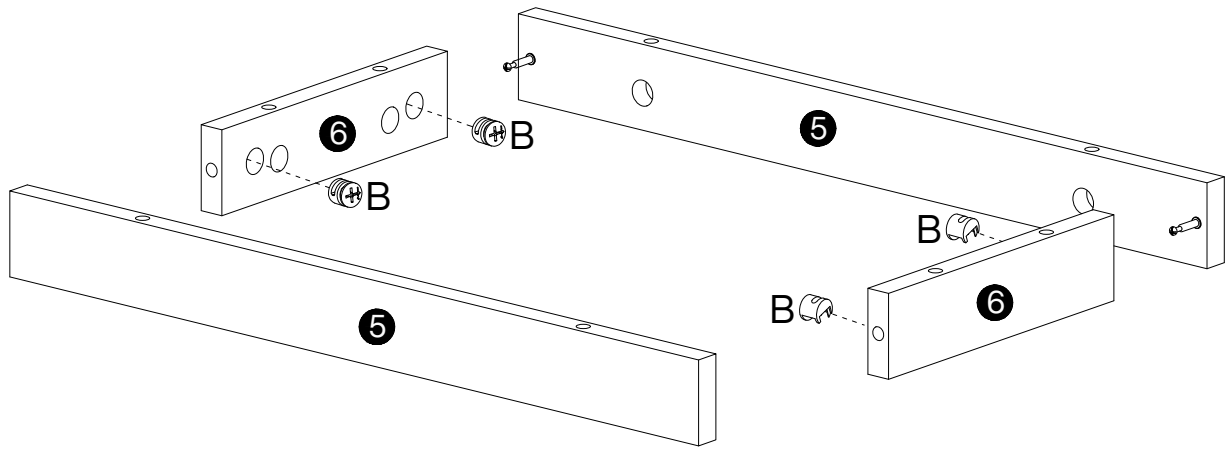
B	X4	C	X2
			
Ø15X12 mm		Ø8X30 mm	

4



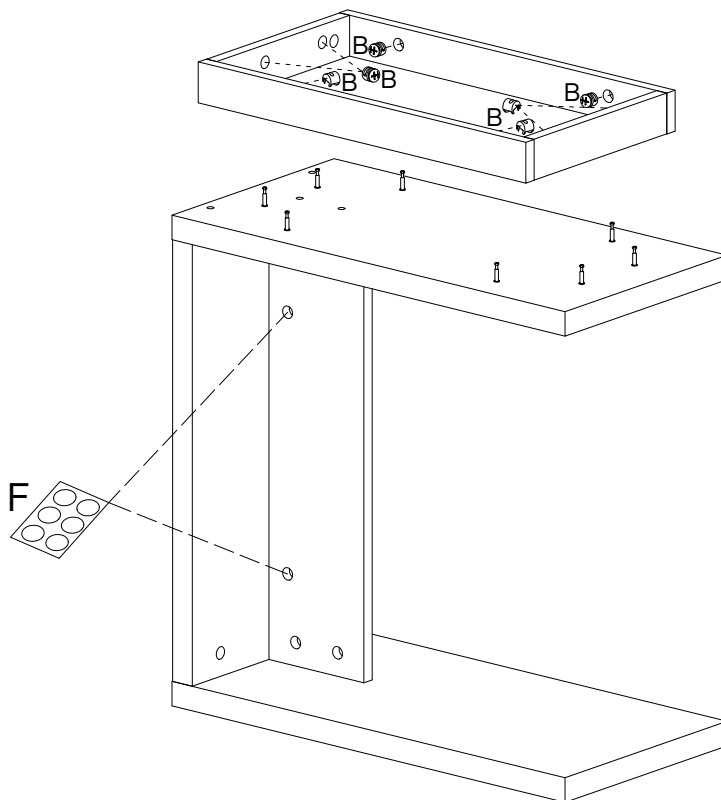
C	X2	D	X4	E	X1
					
Ø8X30 mm		Ø7X57 mm		M4X64mm	

5



B	X4
Ø15X12 mm	

6



B	X8	F	X1
Ø15X12 mm		Ø20 mm	