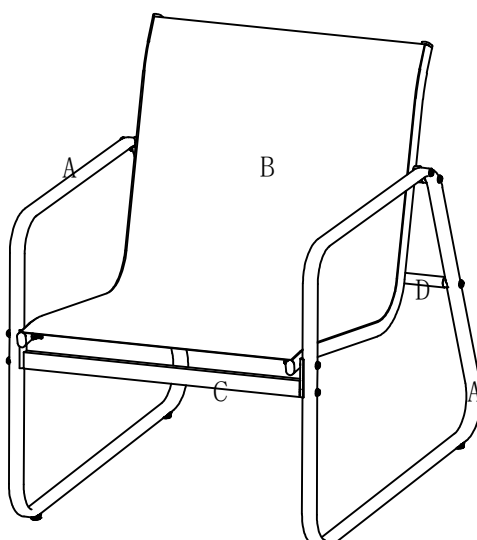

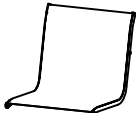







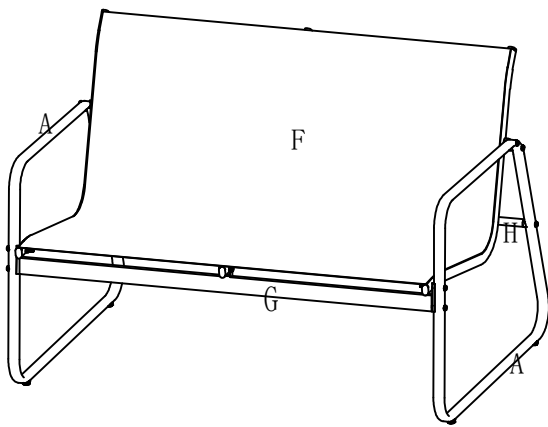

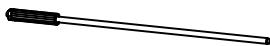
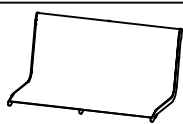

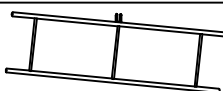





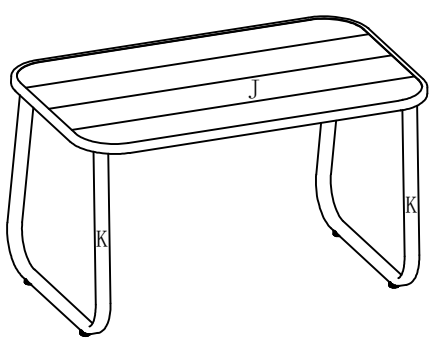
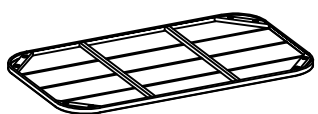
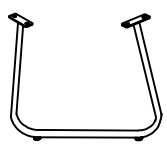




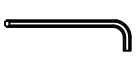
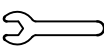

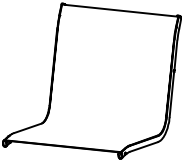

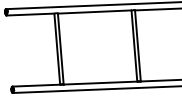




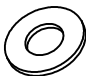
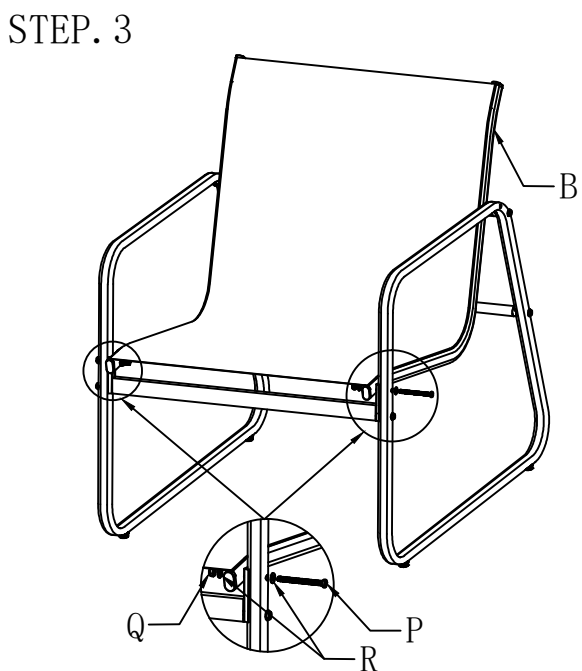
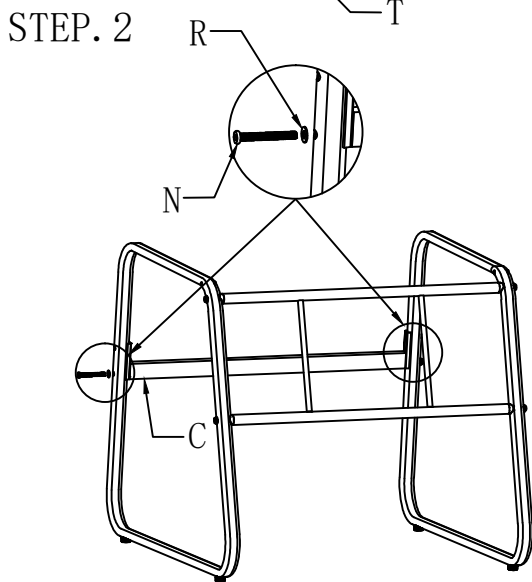
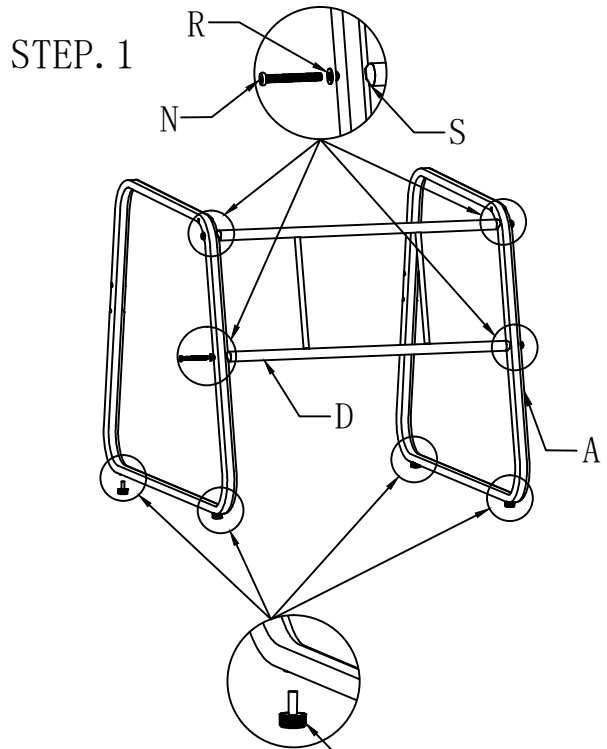

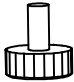


PACKING LIST

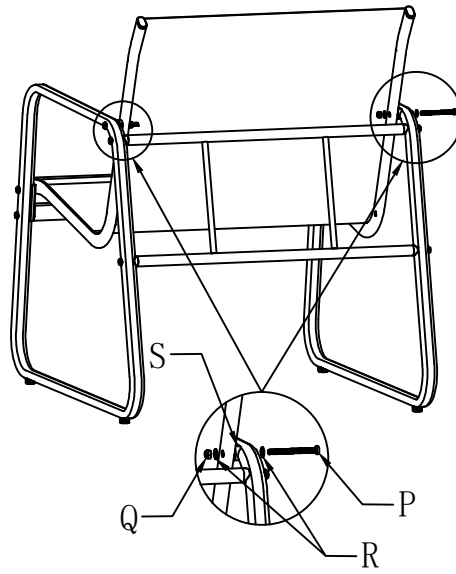
| | | | | | |
|------|---|----|---|---|----|
| 2PCS |  | A |  | 4 | |
| | | B |  | 2 | |
| | | C |  | 2 | |
| | | D |  | 2 | |
| | | E |  | 2 | |
| | | N |  M6*50 | 12 | |
| | | P |  M6*65 | 8 | |
| | | Q |  M6 | 8 | |
| | | R |  | 28 | |
| 1PCS |  | A |  | 2 | |
| | | E |  | 2 | |
| | | F |  | 1 | |
| | | G |  | 1 | |
| | | H |  | 1 | |
| | | M |  M6*32 | 2 | |
| | | N |  M6*50 | 6 | |
| | | P |  M6*65 | 4 | |
| | | Q |  M6 | 6 | |
| R |  | 18 | | | |
| 1PCS |  | J |  | 1 | |
| | | K |  | 2 | |
| | | L |  M6*12 | 8 | |
| | | R |  | 8 | |
| S |  | 18 | T |  | 12 |
| U |  | 1 | V |  | 1 |

| NO. | PART | QTY. |
|-----|--|------|
| A |  | 2 |
| B |  | 1 |
| C |  | 1 |
| D |  | 1 |
| E |  | 1 |
| N |  M6*50 | 6 |
| P |  M6*65 | 4 |
| Q |  | 4 |
| R |  | 14 |

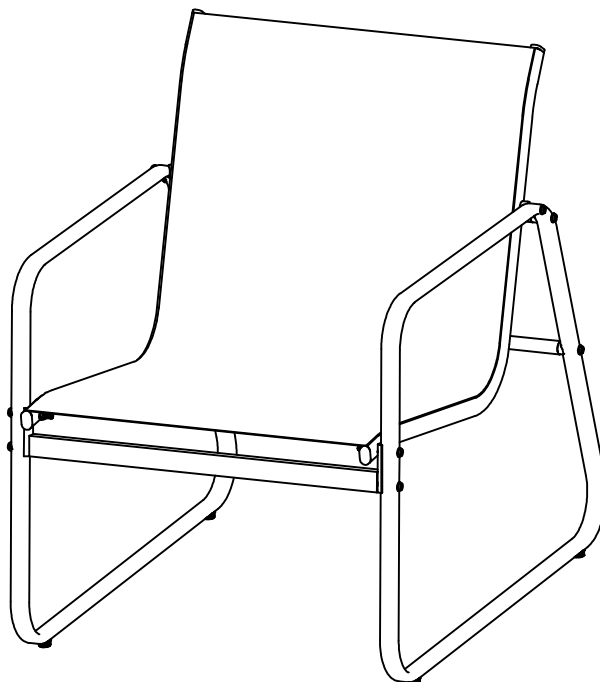
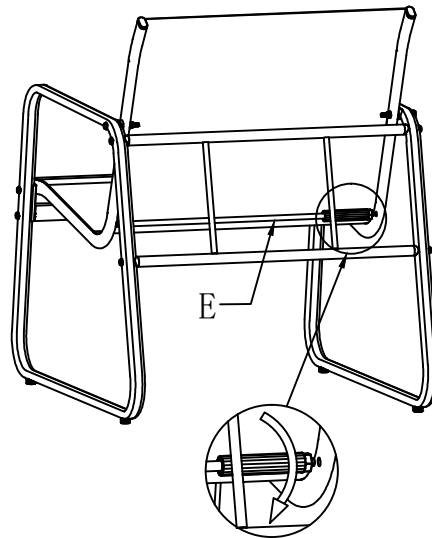


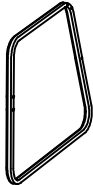

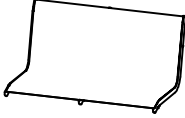

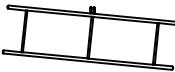




| NO. | PART | QTY. |
|-----|---|------|
| S |  | 6 |
| T |  | 4 |

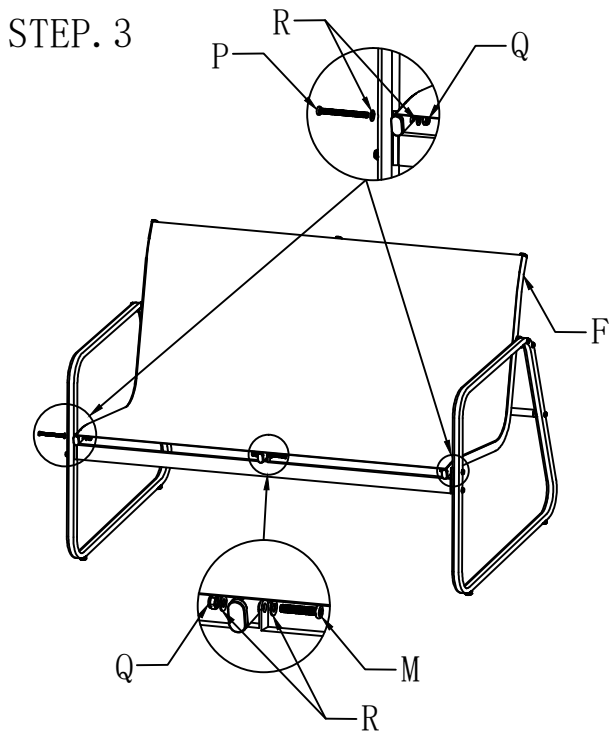
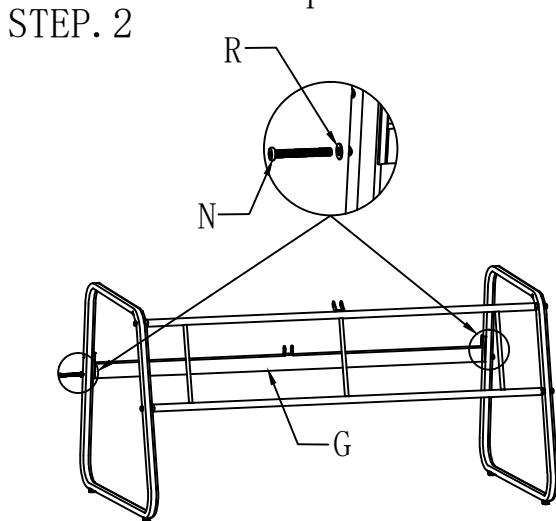
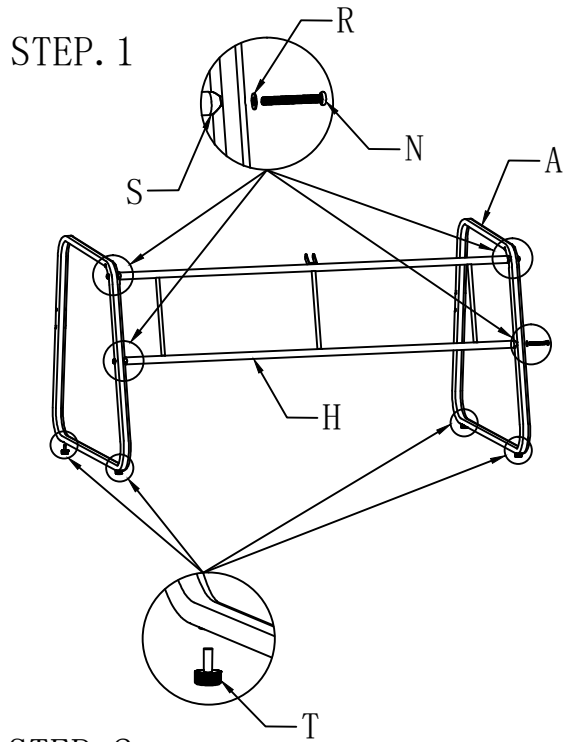
STEP. 4

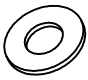

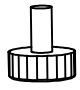


STEP. 5

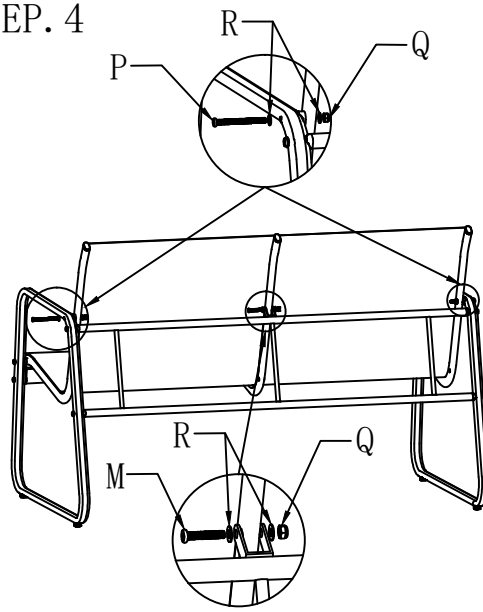


| NO. | PART | QTY. |
|-----|--|------|
| A |  | 2 |
| E |  | 2 |
| F |  | 1 |
| G |  | 1 |
| H |  | 1 |
| M |  M6*32 | 2 |
| N |  M6*50 | 6 |
| P |  M6*65 | 4 |
| Q |  | 6 |

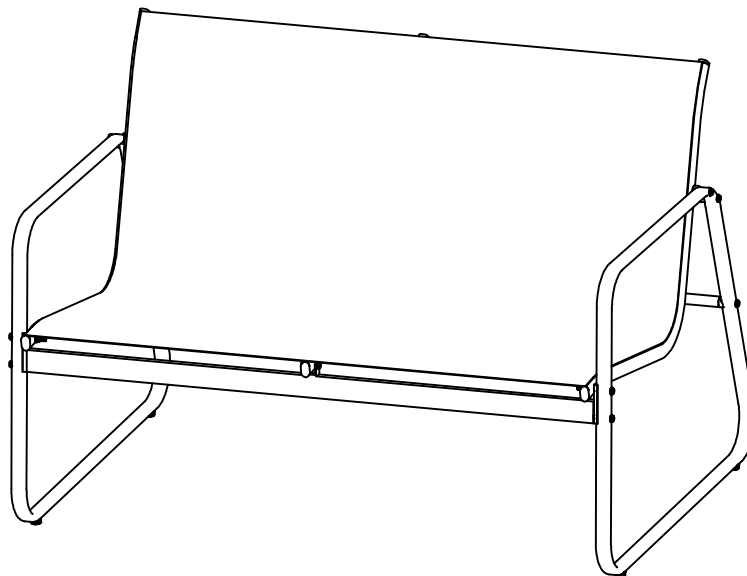
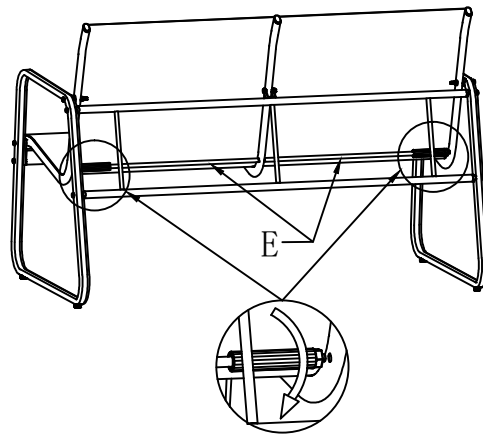








| NO. | PART | QTY. |
|-----|---|------|
| R |  | 18 |
| S |  | 6 |
| T |  | 4 |

STEP. 4



STEP. 5



| NO. | PART | QTY. |
|-----|--|------|
| J |  | 1 |
| K |  | 2 |
| L |  M6*12 | 8 |
| R |  | 8 |
| U |  | 1 |
| V |  | 1 |

STEP. 1

