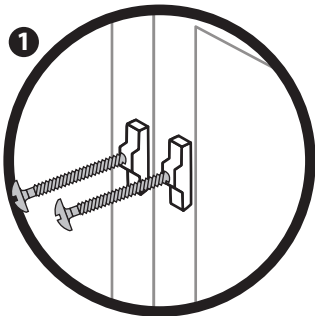
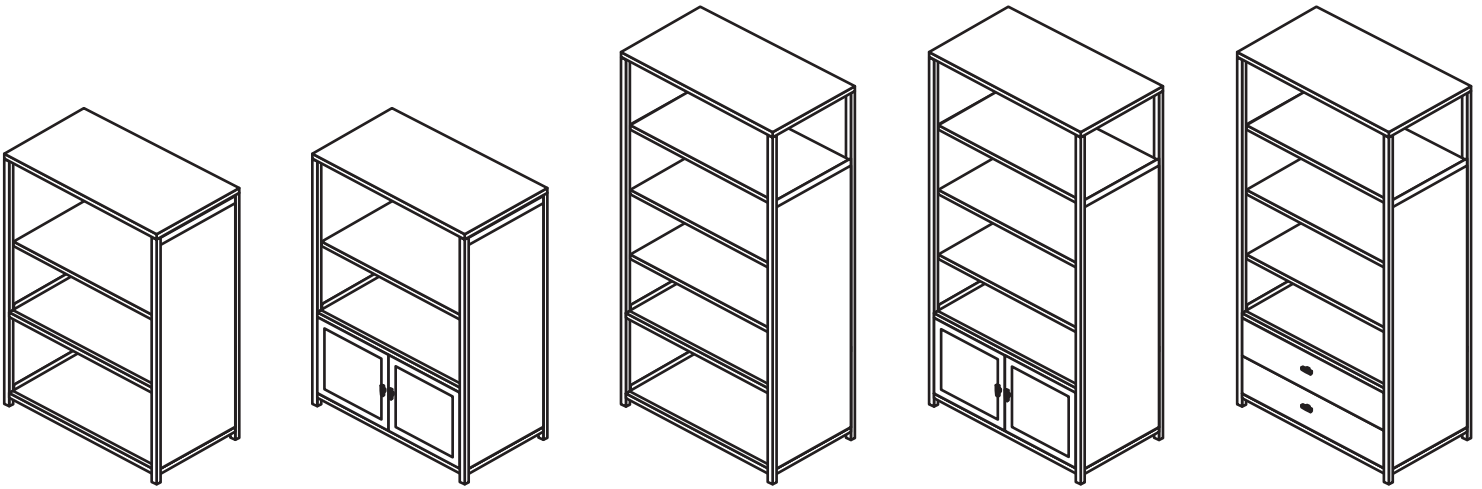


Bookshelf

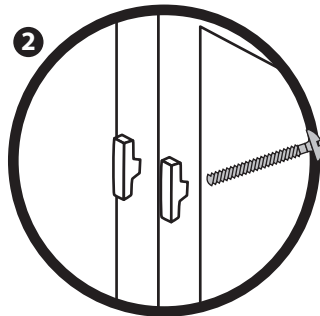
Congratulations on the purchase of your Bookshelf. This bookshelf has been crafted to the highest standards of quality and safety and will give you many years of enjoyment and practical use.

Since this bookshelf is a natural wood product, there will be variations in color and grain, and minor checking may occur. This is normal and does not compromise the integrity of your bookshelf. In fact, variation in character of solid wood is integral to the beauty and appeal of solid wood furniture, and distinguishes it from prefabricated, synthetic and composite materials.

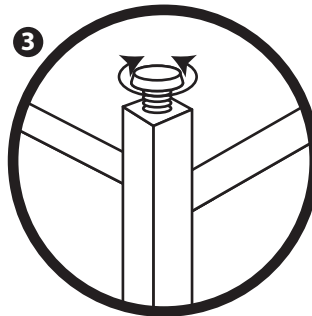
Thank you and Enjoy



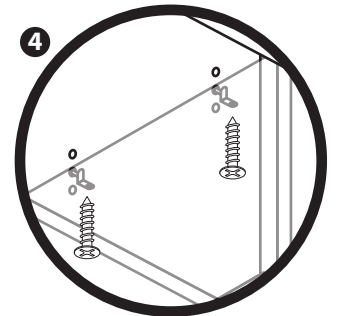
1 Using a Phillips head screwdriver, remove the handle screw and install the handle on the front of the drawer.



2 Do not turn the handle to tighten or loosen the screw. Doing so will cause the handle to scratch the front of the door. Using a Phillips head screwdriver, remove the handle screw and install the handle on the front of the door.



3 Adjust the levelers on the bottom of the legs by loosening or tightening them so all legs of the bookcase sit evenly on the floor. Turn clockwise to raise and counterclockwise to lower the leveler.



4 To change the position of each shelf, use a Phillips head screwdriver to remove the screws which attach the shelf pin to the bottom of the shelf.

WARNING

Furniture tipping over can create a significant hazard in the home, particularly to young children, although adults can be injured as well. It is necessary that casegoods over 30" in height be secured with some form of anti-tip over device. This bookshelf comes with anti-tip over straps that reduce the risk of tipping. These can be easily installed in minutes and must be used, especially where children are concerned and where earthquakes may pose a hazard.