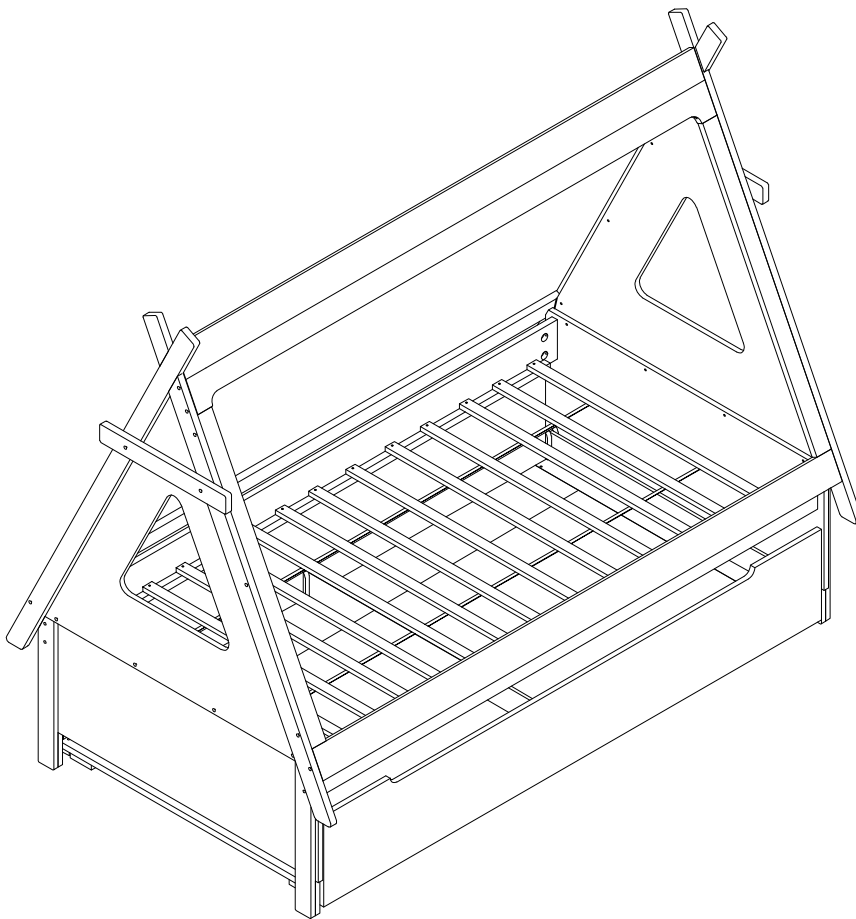


ASSEMBLY INSTRUCTIONS

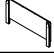
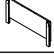
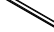






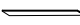




*** Thank you for purchasing this quality product. Be sure to check all packing materials carefully for small parts which may have come loose inside the carton during shipment. Identify and count all parts and compare with parts list below.

*** Assemble product on a flat, soft surface such as a carpet or cloth to prevent scratching the finish. Read all instruction and study the drawings carefully before starting the assembly process.








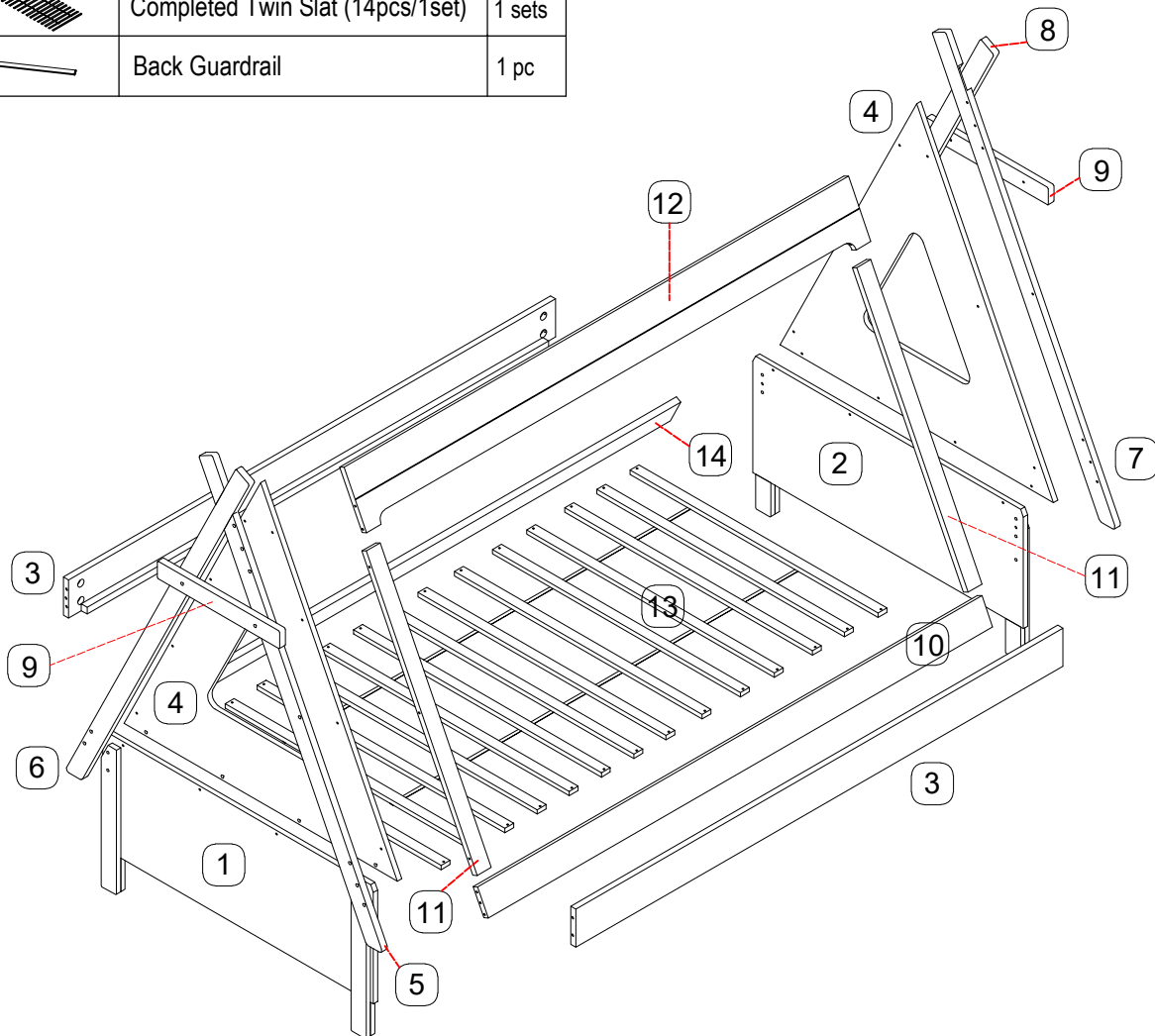
IMPORTANT: Do not tighten bolts completely until all bolts are completely lined up and inserted into holes





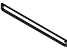
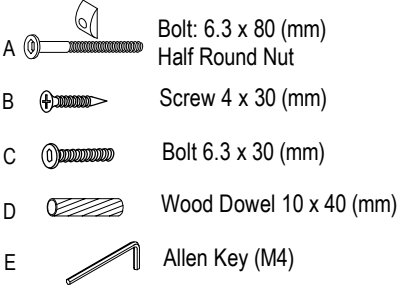
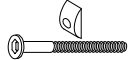











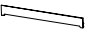

PARTS LIST

NO.	DIAGRAM	PART NAME	Q'Ty
1		Left Headboard	1 pc
2		Right Headboard	1 pc
3		Side Rail	2 pcs
4		Triangle Panel	2 pcs
5		Crossbar (Bottom Left)	1 pc
6		Crossbar (Top Left)	1 pc
7		Crossbar (Bottom Right)	1 pc
8		Crossbar (Top Right)	1 pc
9		Front Crossbar	2 pcs
10		Front Guardrail	1 pc
11		Front Left & Right Guardrail	2 pcs
12		Front Top Guardrail	1 pc
13		Completed Twin Slat (14pcs/1set)	1 sets
14		Back Guardrail	1 pc

HARDWARE LIST

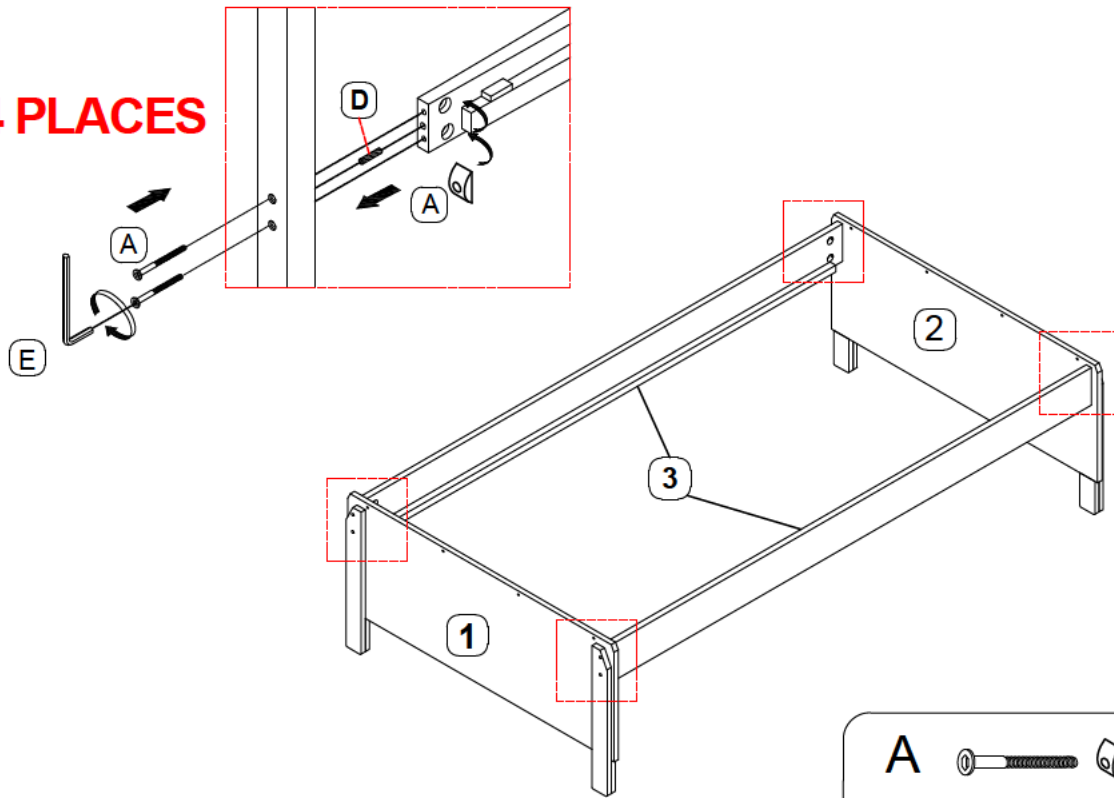
NO.	DIAGRAM	PART NAME	Q'Ty
A		Bolt: 6.3 x 80 (mm) Half Round Nut	8 sets
B		Screw 4 x 30 (mm)	28 pcs
C		Bolt 6.3 x 30 (mm)	42 pcs
D		Wood Dowel 10 x 40 (mm)	8 pcs
E		Allen Key (M4)	1 pc






Disignation	Part		Hardware
Left Headboard x 1pc	#1		
Right Headboard x 1pc	#2		
Triangle Panel x 2pcs	#4		
Completed Twin Slat (14pcs/1set)	#13		
Side Rail x 2pcs	#3		 <p>A  Bolt: 6.3 x 80 (mm) Half Round Nut</p> <p>B  Screw 4 x 30 (mm)</p> <p>C  Bolt 6.3 x 30 (mm)</p> <p>D  Wood Dowel 10 x 40 (mm)</p> <p>E  Allen Key (M4)</p>
Crossbar (Bottom Left) x 1pc	#5		
Crossbar (Top Left) x 1pc	#6		
Crossbar (Bottom Right) x 1pc	#7		
Crossbar (Top Right) x 1pc	#8		
Front Crossbar x 2pcs	#9		
Front Guardrail x 1pc	#10		
Front Left & Right Guardrail x 2pcs	#11		
Front Top Guardrail x 1pc	#12		
Back Guardrail x 1pc	#14		

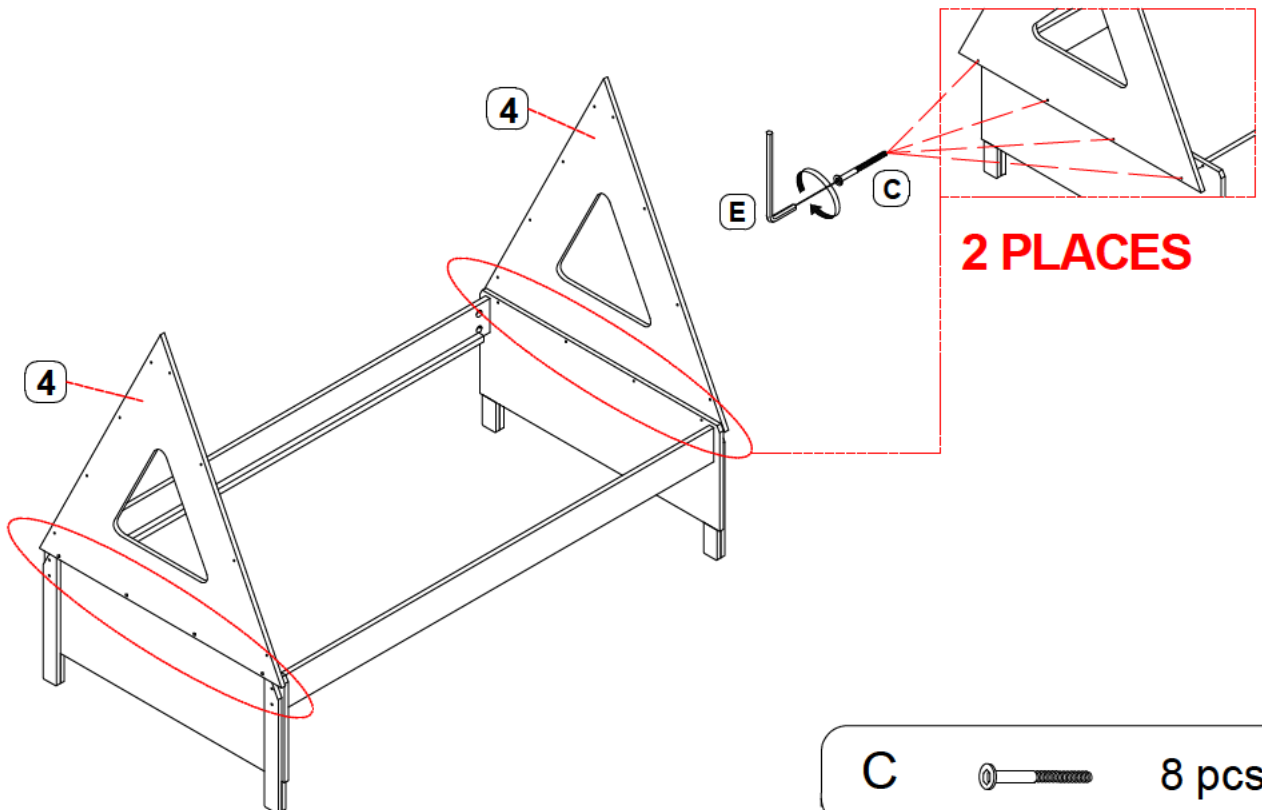
STEP 1: SIDE RAILS ASSEMBLY

4 PLACES



A			8 Sets
D			4 pcs

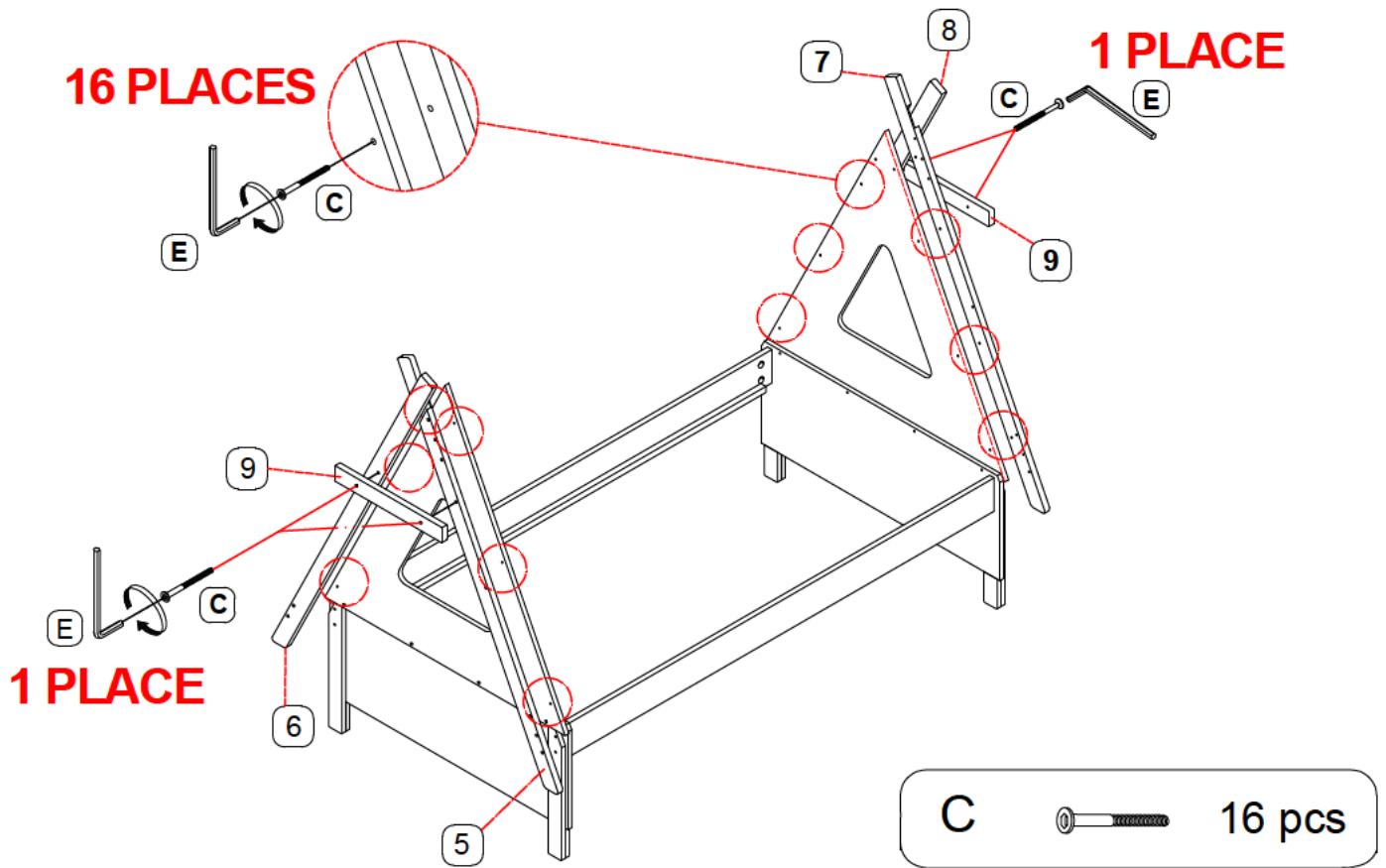
STEP 2: TRIANGLE PANEL ASSEMBLY



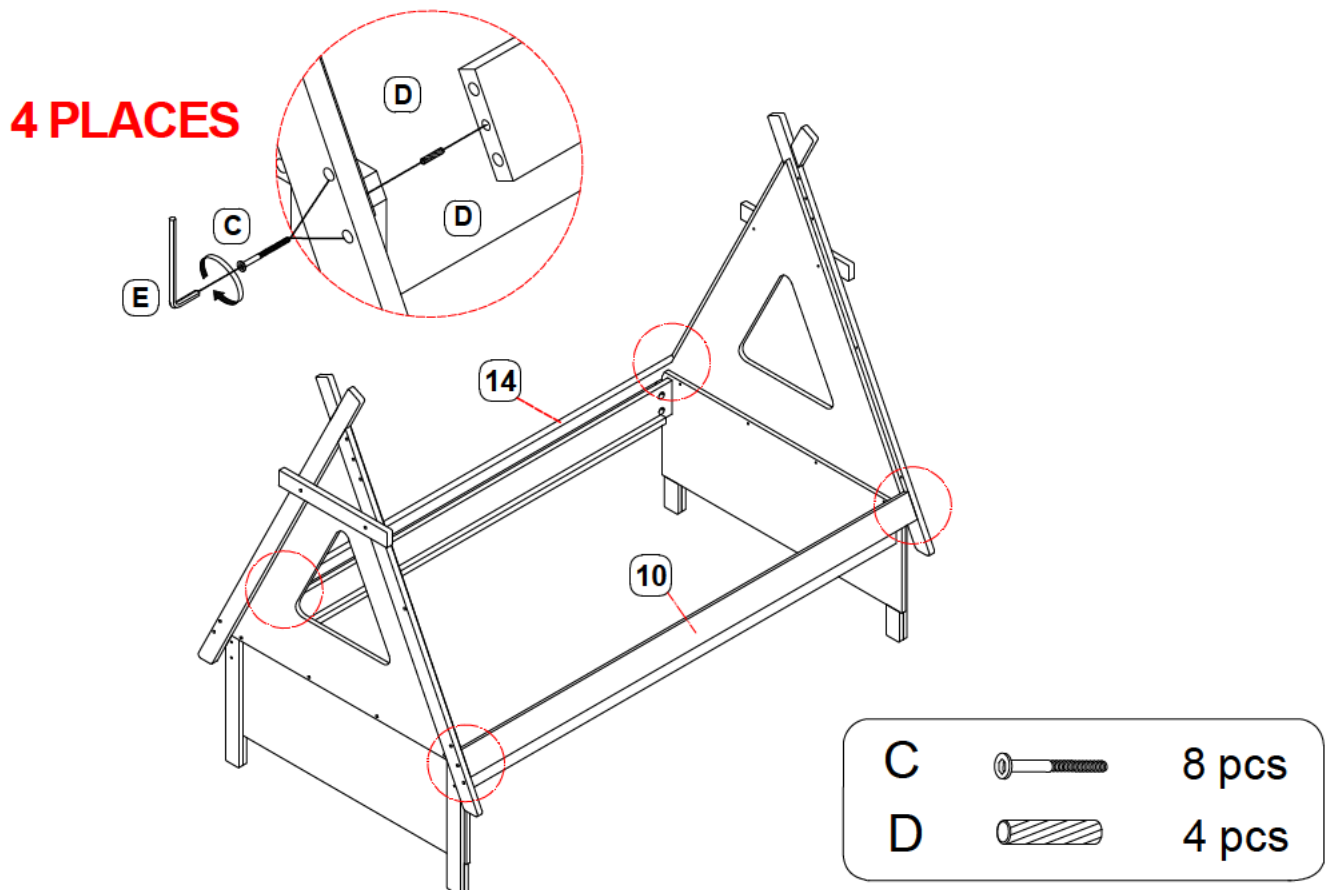
2 PLACES

C		8 pcs
---	---	-------

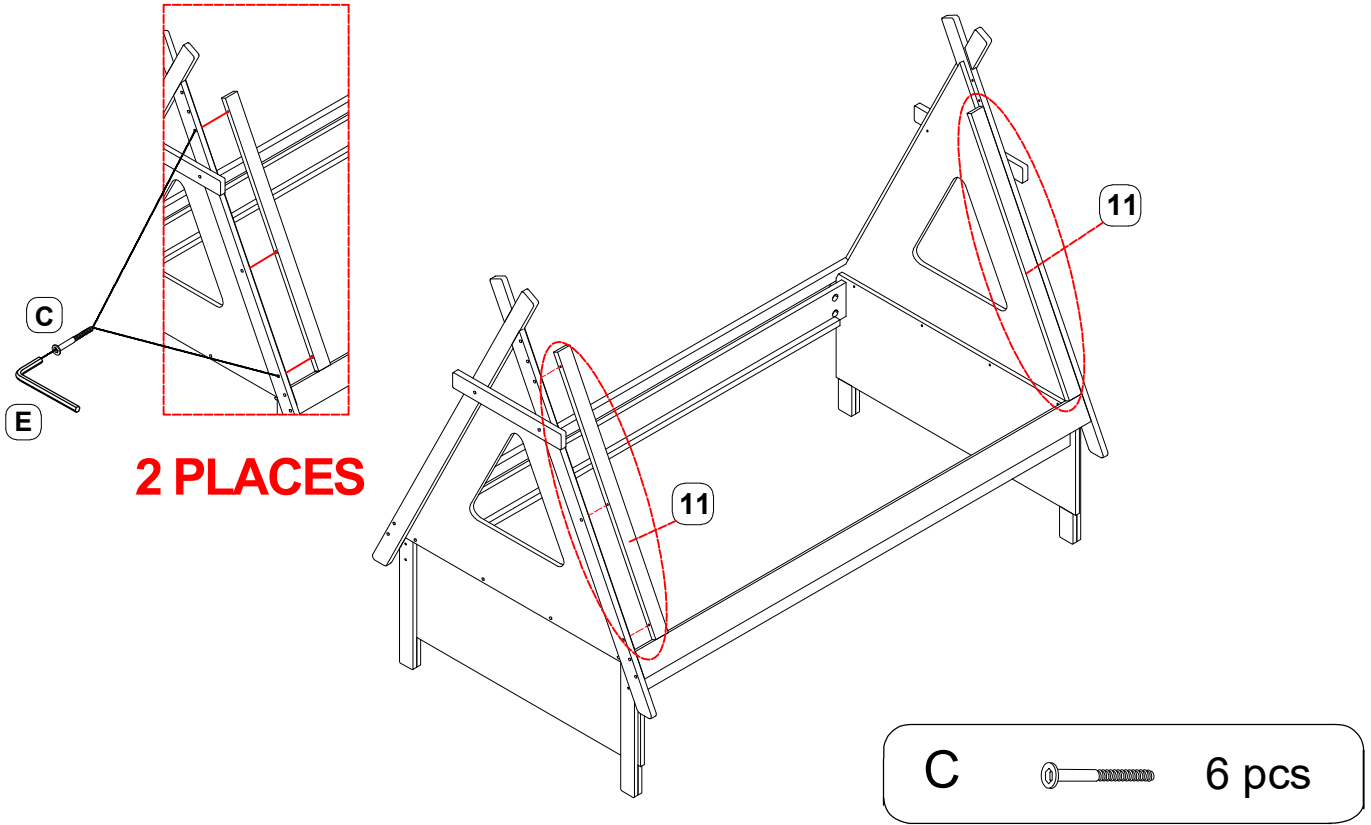
STEP 3: CROSSBAR ASSEMBLY



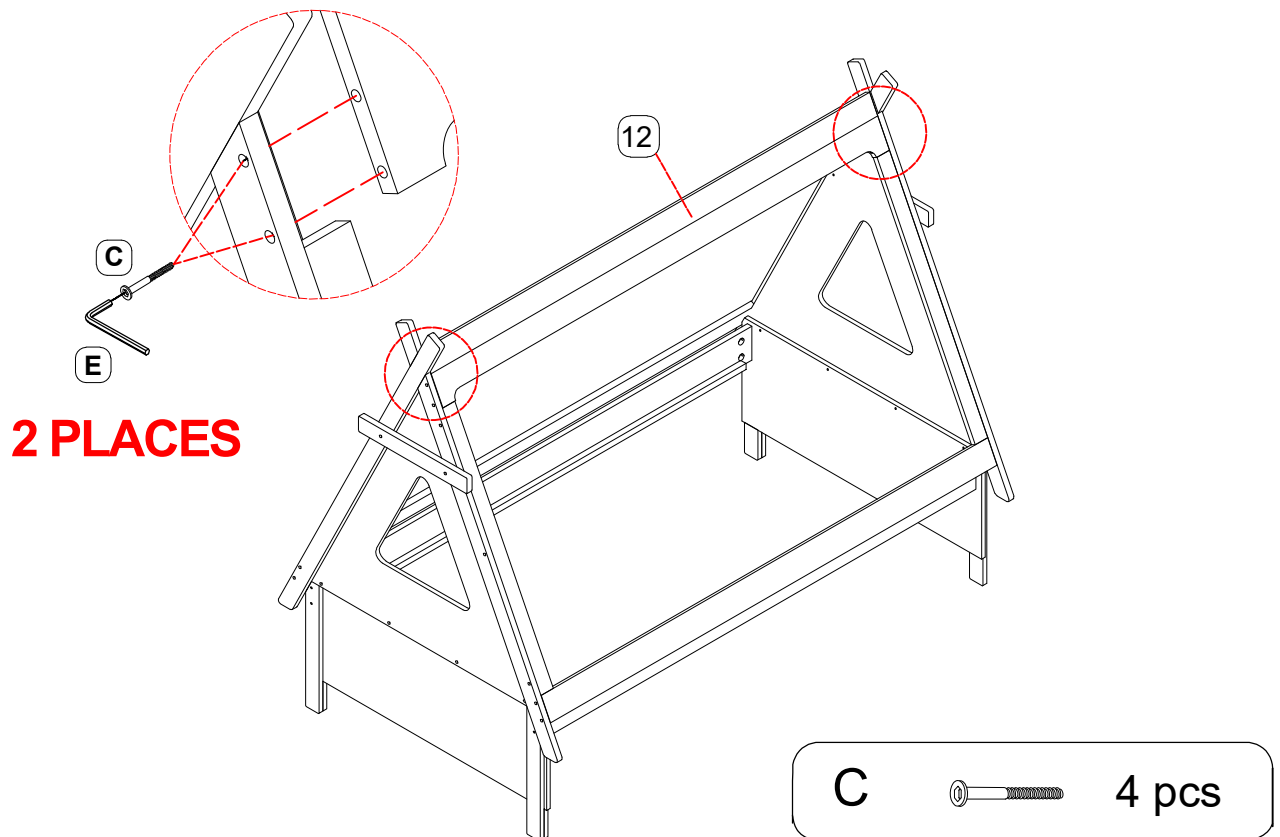
STEP 4: FRONT & BACK BOTTOM GUARDRAIL ASSEMBLY



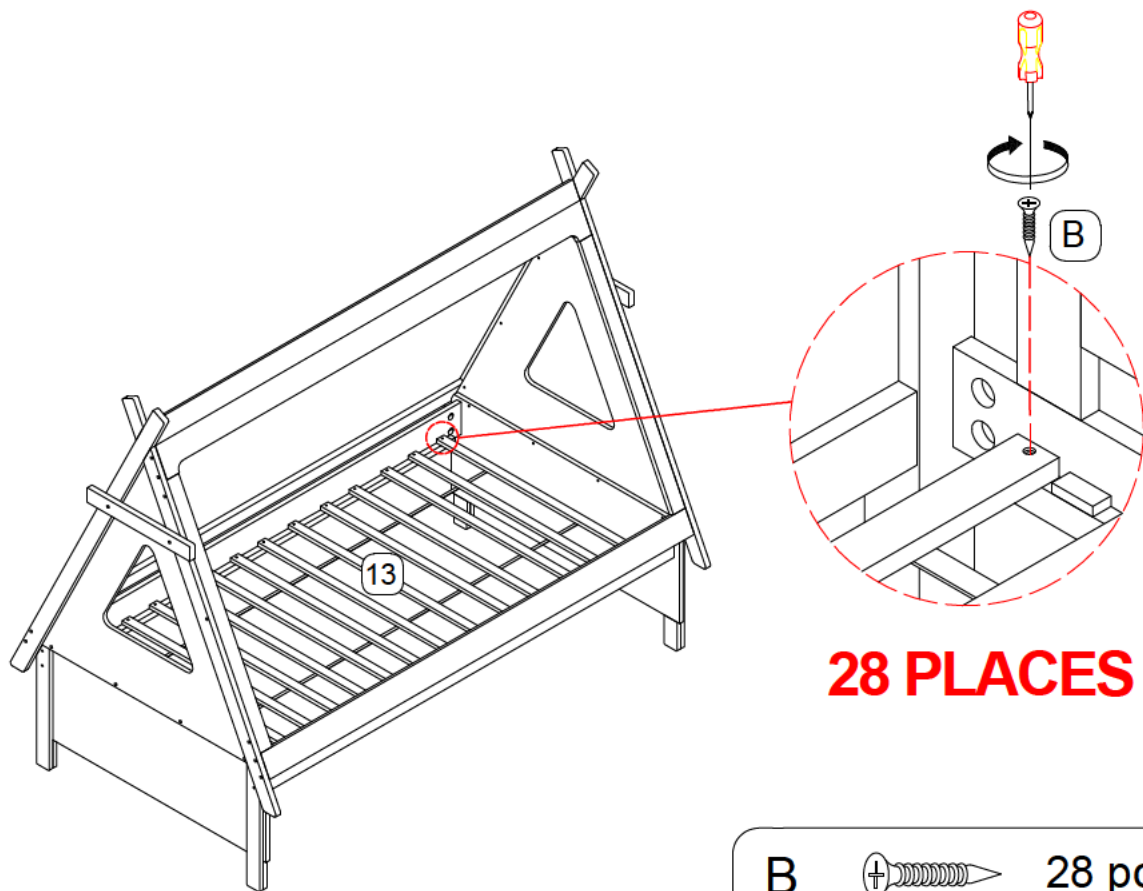
STEP 5: LEFT & RIGHT GUARDRAIL ASSEMBLY



STEP 6: FRONT TOP GUARDRAIL ASSEMBLY



STEP 7: SLATS ASSEMBLY



ASSEMBLY IS COMPLETED