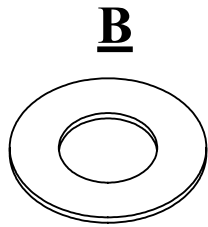
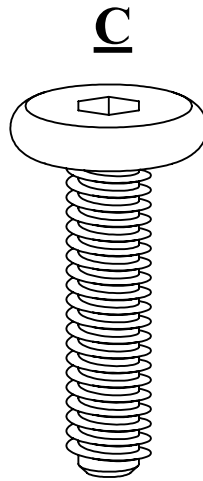


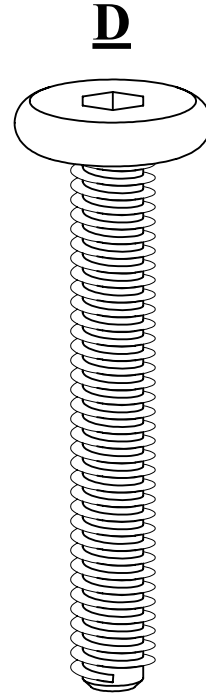
16 PCS



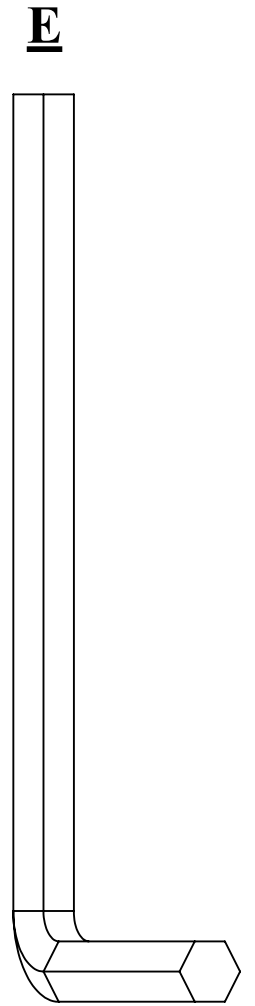
20 PCS



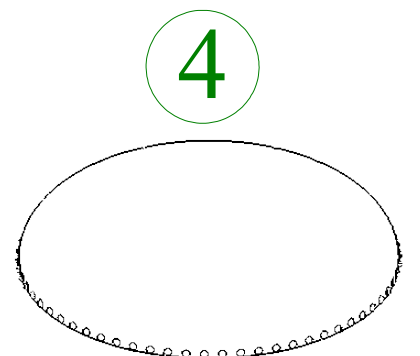
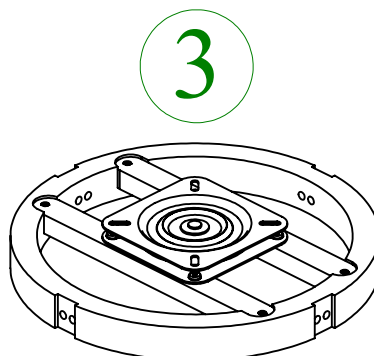
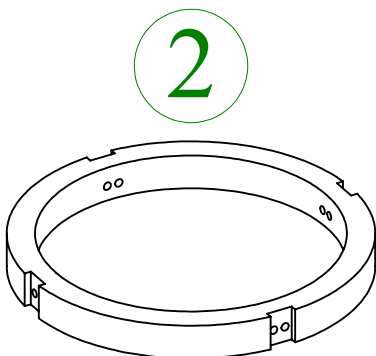
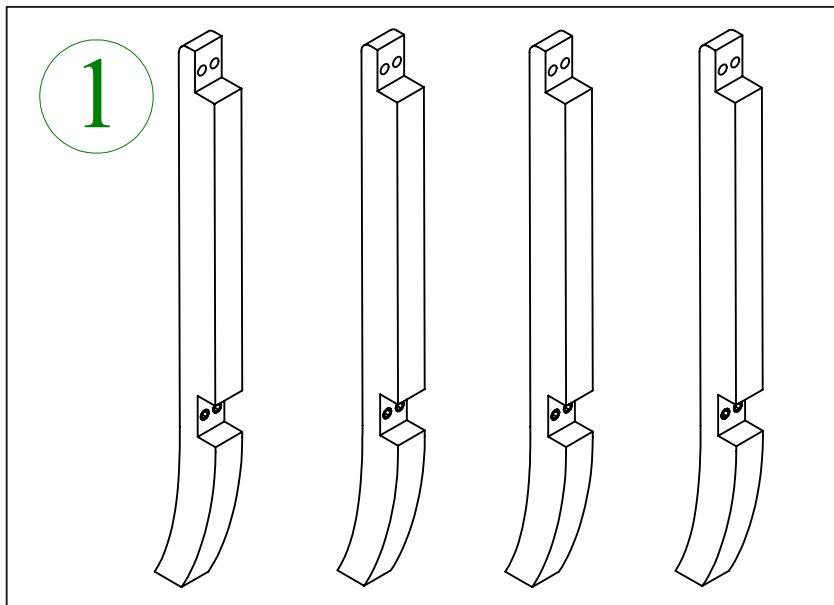
4 PCS



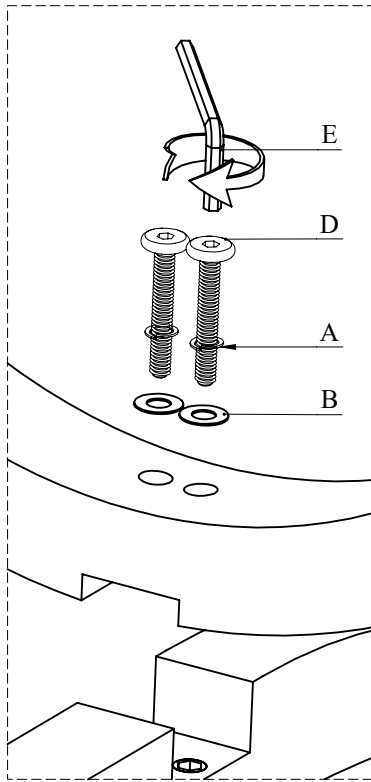
16 PCS



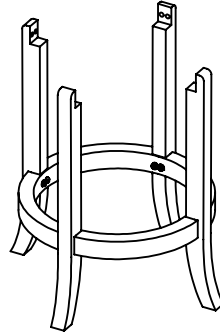
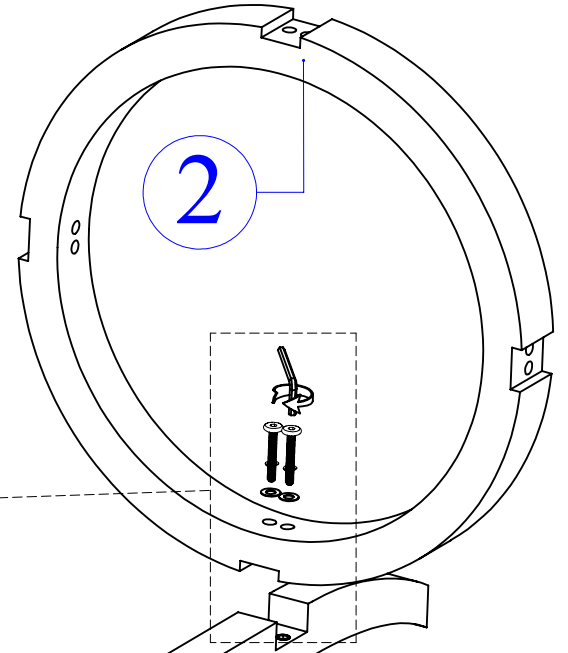
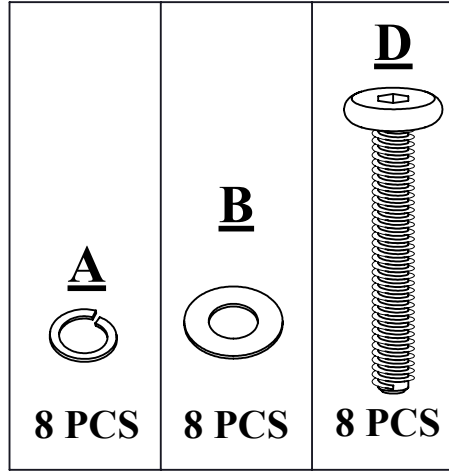
1 PC



01

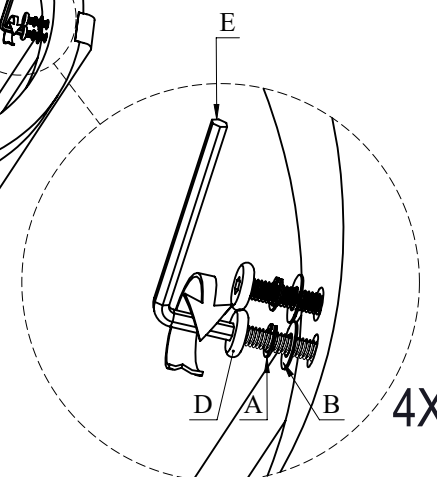
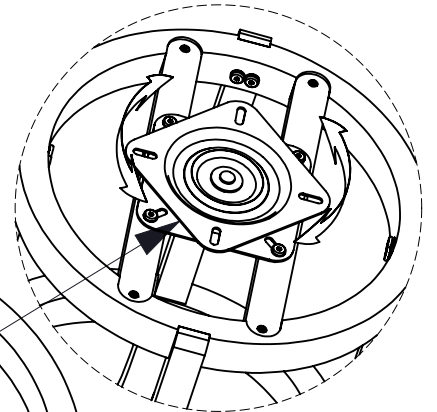
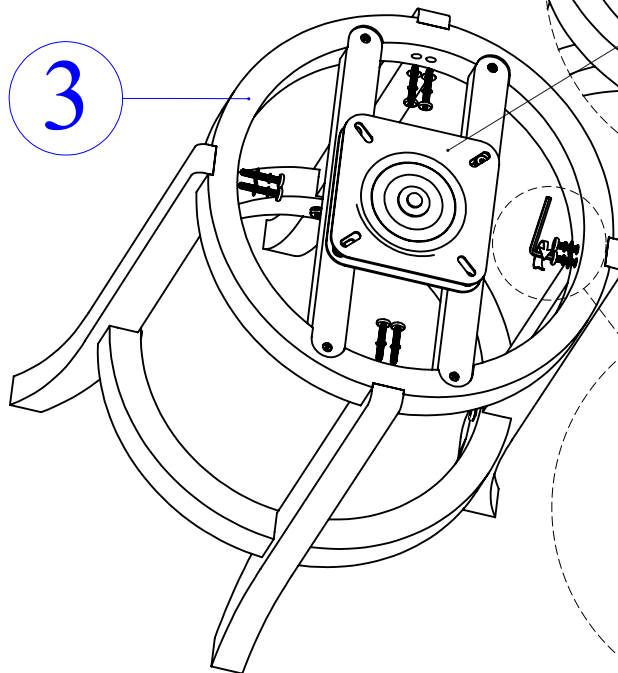
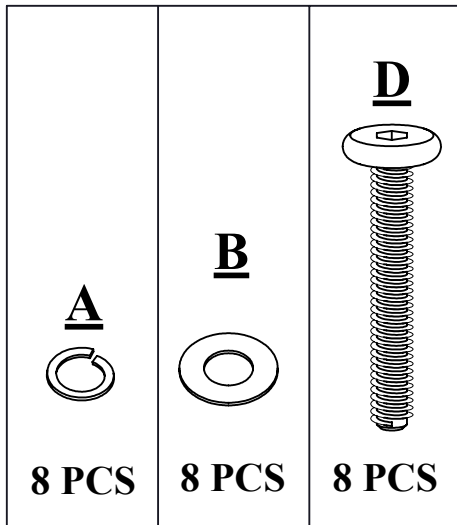


4X



DO NOT TIGHTEN BOLT COMPLETELY.

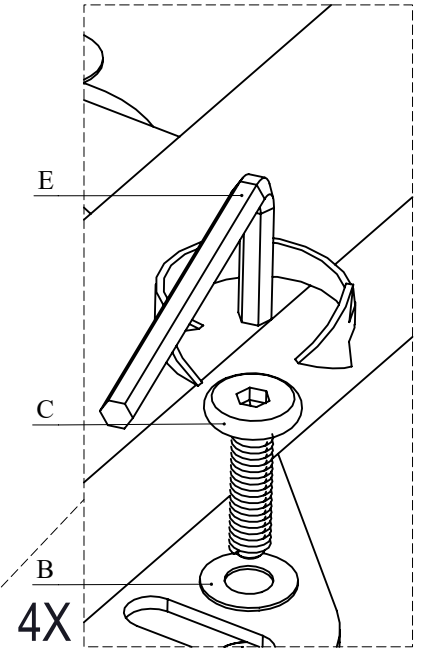
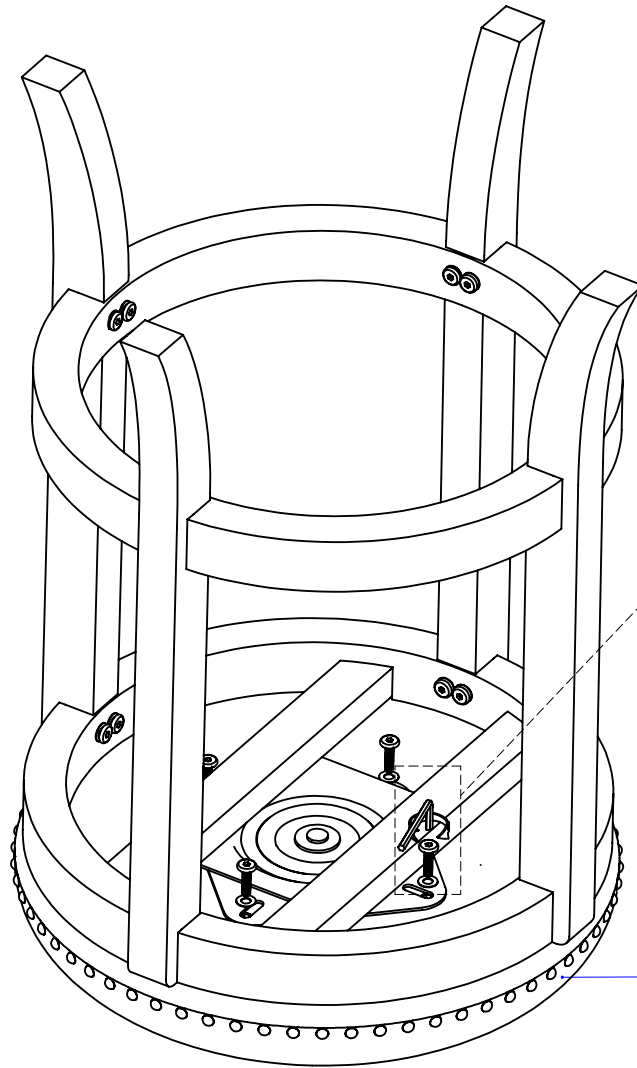
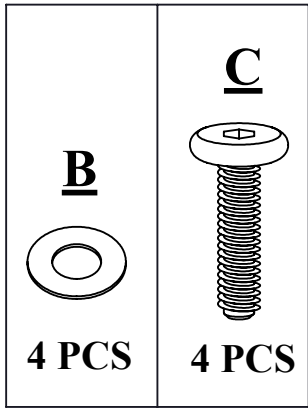
02



4X

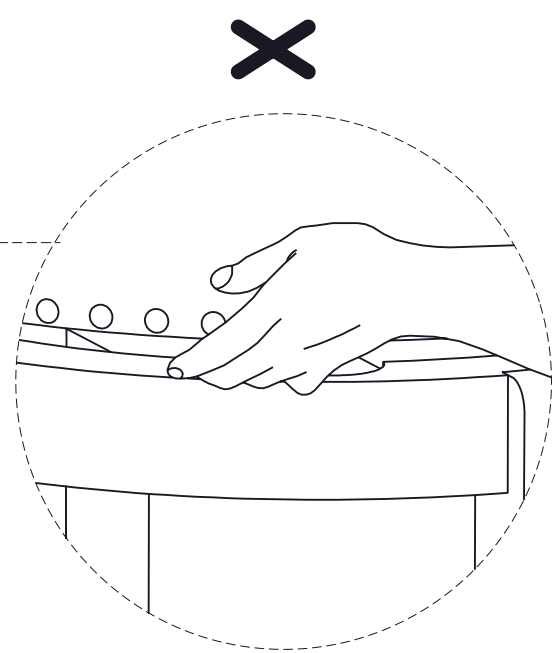
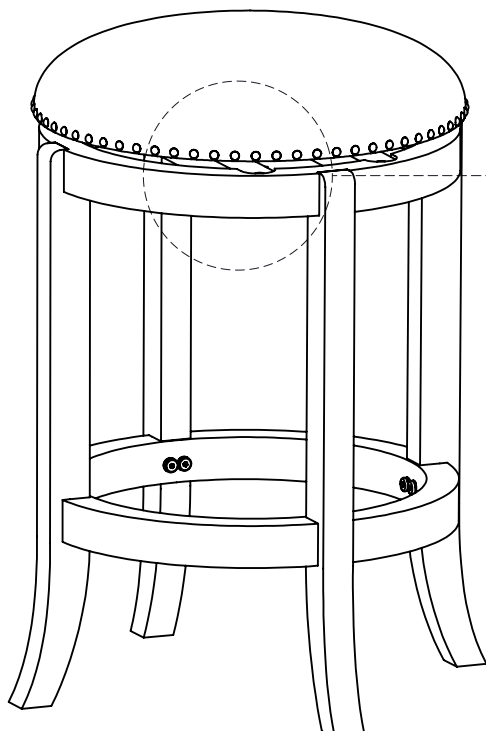
TIGHTEN BOLT COMPLETELY.

03



4

TIGHTEN BOLT COMPLETELY.



BE SURE TO CHECK ALL BOLTS ARE SECURELY TIGHTENED PRIOR USING THIS STOOL.