




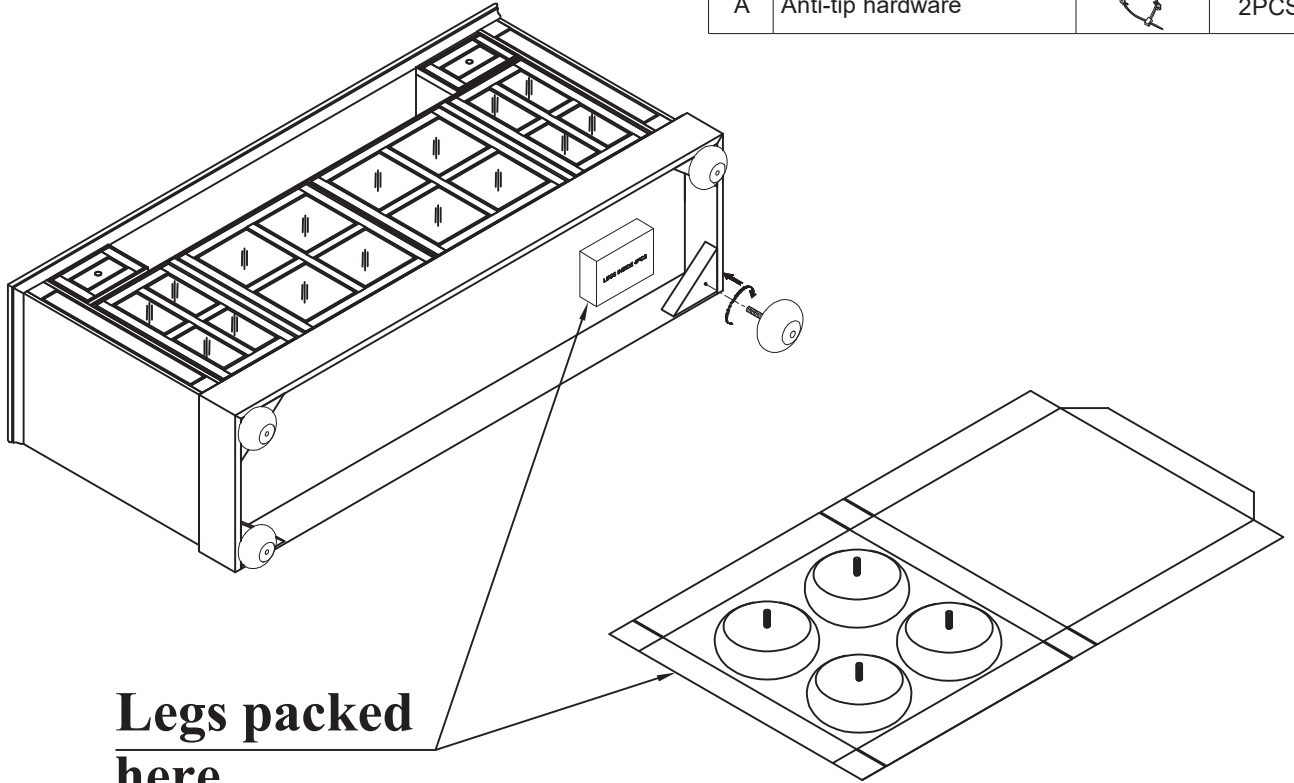
Parker House®
FURNITURE

Assembly Instruction

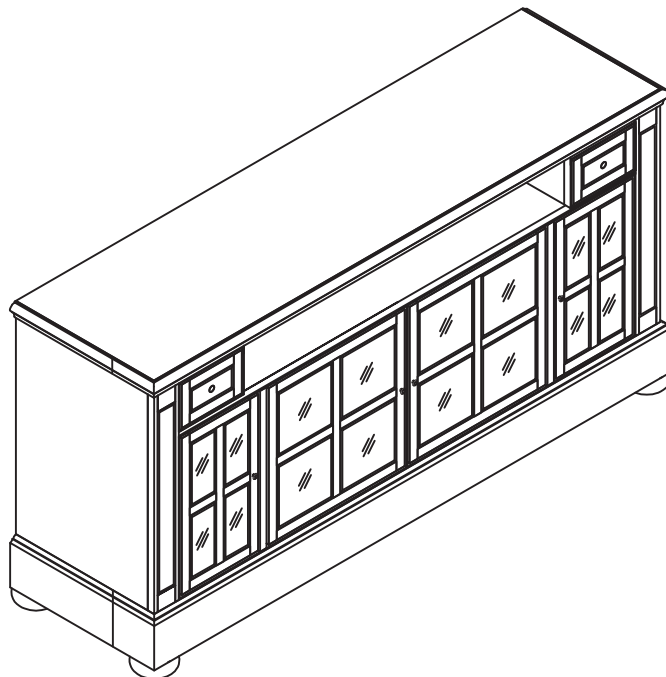
Item NO : CAP63

Hardwares

NO	Description	Sketch	Q' TY
A	Anti-tip hardware		2PCS

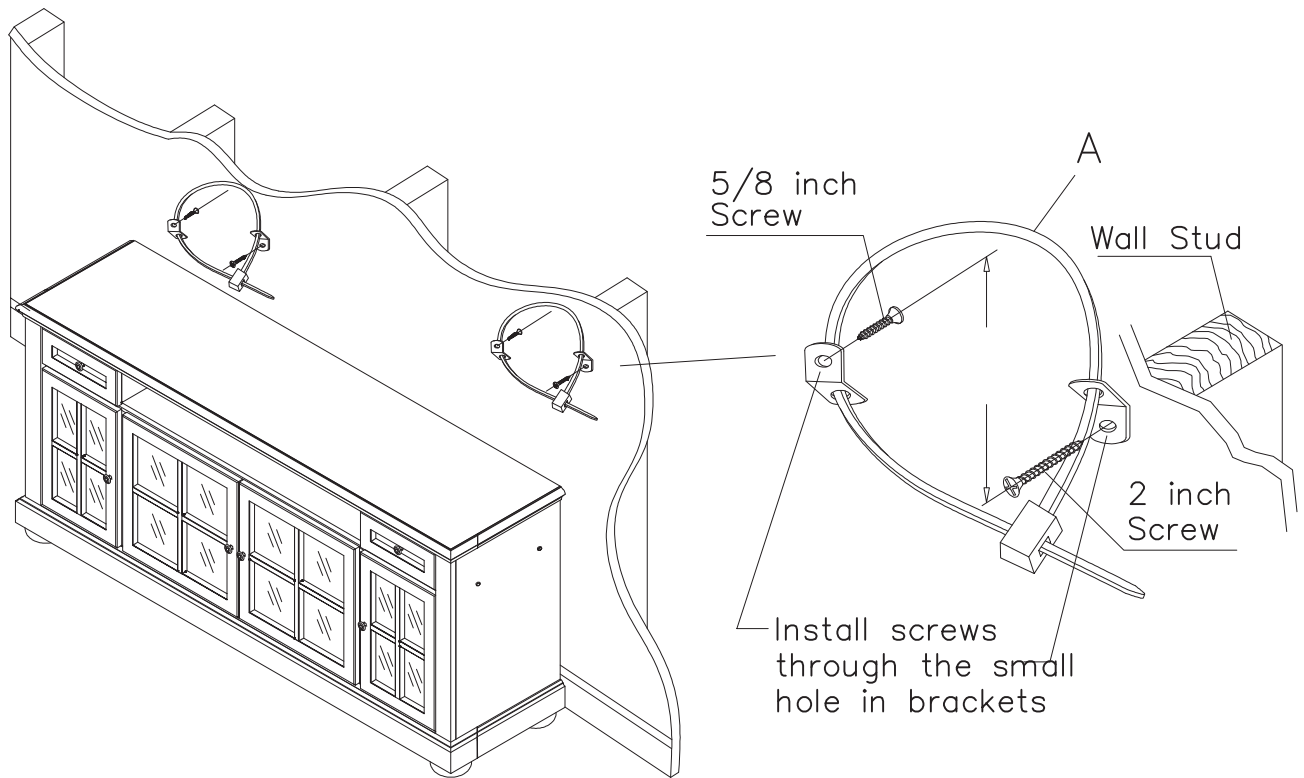


**Legs packed
here .**



Anti-Tip Hardware Installation Instructions

Notice: In homes where small children may be present, Parker House. recommends that steps be taken for certain furniture items to prevent or minimize the risk of tip-over. This furniture is equipped with Tip-over Restraint Hardware for use to minimize this risk, if used. Please follow below installation steps. Parker House. recommends that parents and guardians periodically visit the U.S. Consumer Product Safety Commission (CPSC) website at <http://www.cpsc.gov/> and stay up to date on all issues related to children's product safety.



Locate a

1. Temporarily locate the furniture to near it's final location in the room next to a wall. wall stud behind your furniture and also mark the stud's location on the back of your furniture.
2. Firmly attach one bracket to the stud approximately 2" below the top of the furniture with the 2 inch long Wood Screws provided. It may be necessary to drill 3/32 dia. pilot holes for the screws.
3. Firmly attach the other bracket onto a solid, structural part on the back of the furniture using the 5/8 inch long Wood Screws. It may also be necessary to pilot bore for these screws.
4. Move the furniture into its final position, taking care to line up the wall bracket with the furniture bracket. Thread a strap through the bracket as shown in the illustration. Tighten strap until snug but do not over tighten.

Caution: Parker House. assumes no liability for improper installation or excessive loads placed on screws, brackets or straps. Failure to detach this restraint before moving furniture may result in personal injury and property damage.

Warning: This tip-over restraint is not to be a substitute for proper adult supervision. Do not allow children to climb on furniture. Items left on top of the TV and furniture, such as toys, remote controls and treats might tempt young children to climb. Push the TV as far back as possible from the front of its stand. Place electrical cords out of a child's reach, and teach children not to play with the cords.



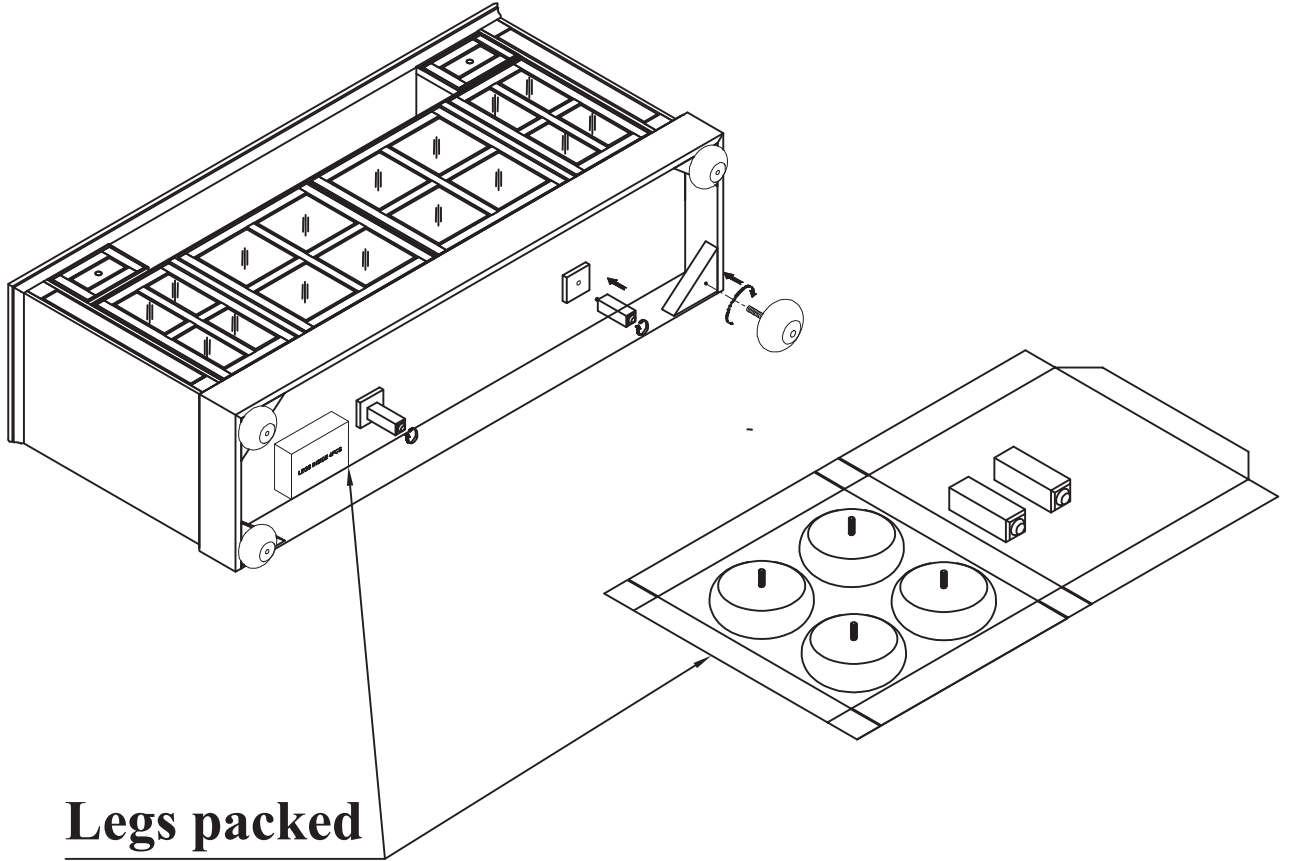
Parker House®
FURNITURE

Assembly Instruction

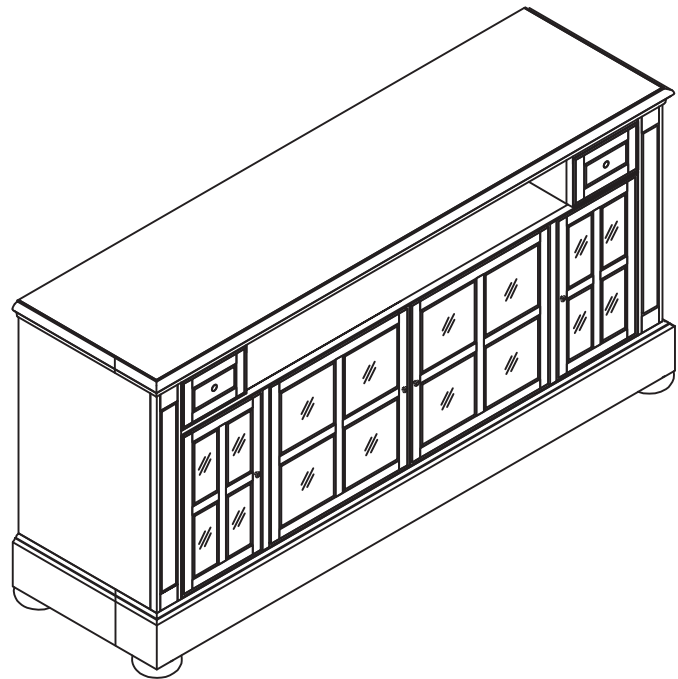
Item NO : CAP76

Hardwares

NO	Description	Sketch	Q' TY
A	Anti-tip hardware		2PCS

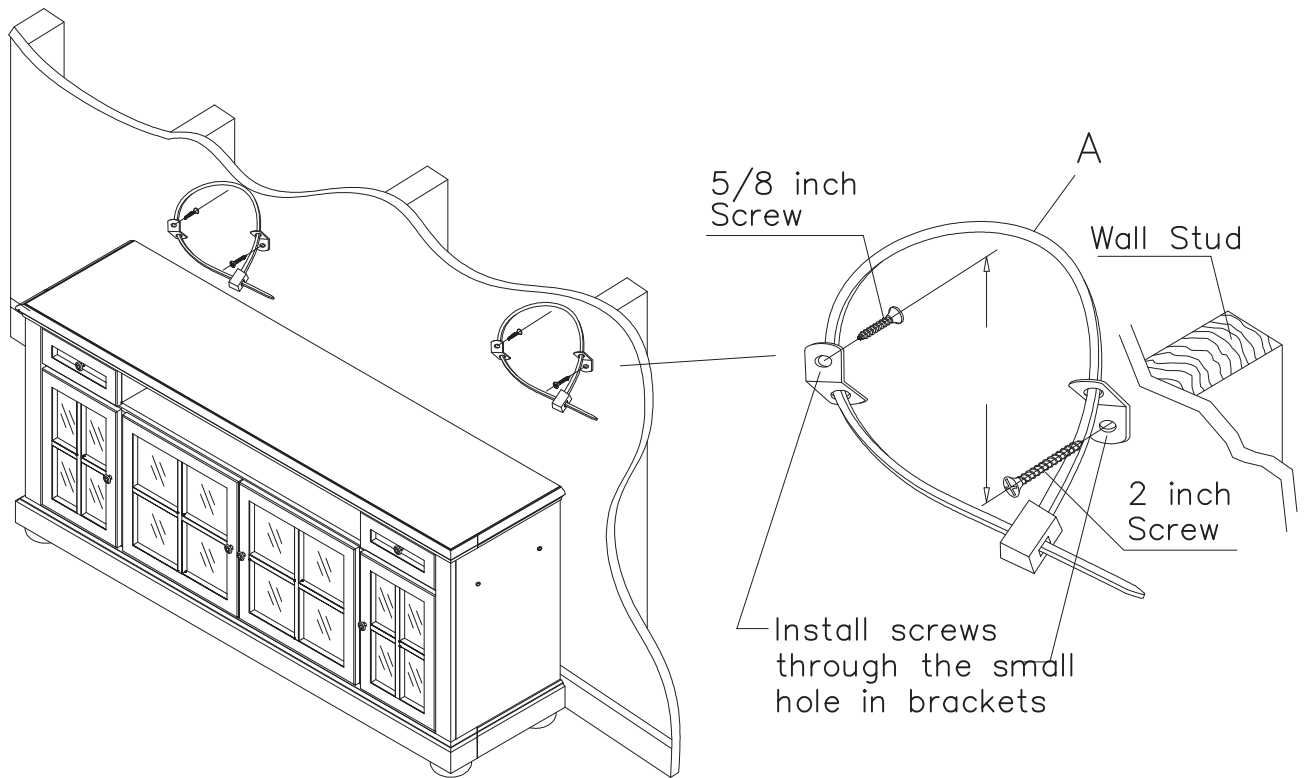


**Legs packed
here .**



Anti-Tip Hardware Installation Instructions

Notice: In homes where small children may be present, Parker House. recommends that steps be taken for certain furniture items to prevent or minimize the risk of tip-over. This furniture is equipped with Tip-over Restraint Hardware for use to minimize this risk, if used. Please follow below installation steps. Parker House. recommends that parents and guardians periodically visit the U.S. Consumer Product Safety Commission (CPSC) website at <http://www.cpsc.gov/> and stay up to date on all issues related to children's product safety.



Locate a

1. Temporarily locate the furniture to near it's final location in the room next to a wall. wall stud behind your furniture and also mark the stud's location on the back of your furniture.
2. Firmly attach one bracket to the stud approximately 2" below the top of the furniture with the 2 inch long Wood Screws provided. It may be necessary to drill 3/32 dia. pilot holes for the screws.
3. Firmly attach the other bracket onto a solid, structural part on the back of the furniture using the 5/8 inch long Wood Screws. It may also be necessary to pilot bore for these screws.
4. Move the furniture into its final position, taking care to line up the wall bracket with the furniture bracket. Thread a strap through the bracket as shown in the illustration. Tighten strap until snug but do not over tighten.

Caution: Parker House. assumes no liability for improper installation or excessive loads placed on screws, brackets or straps. Failure to detach this restraint before moving furniture may result in personal injury and property damage.

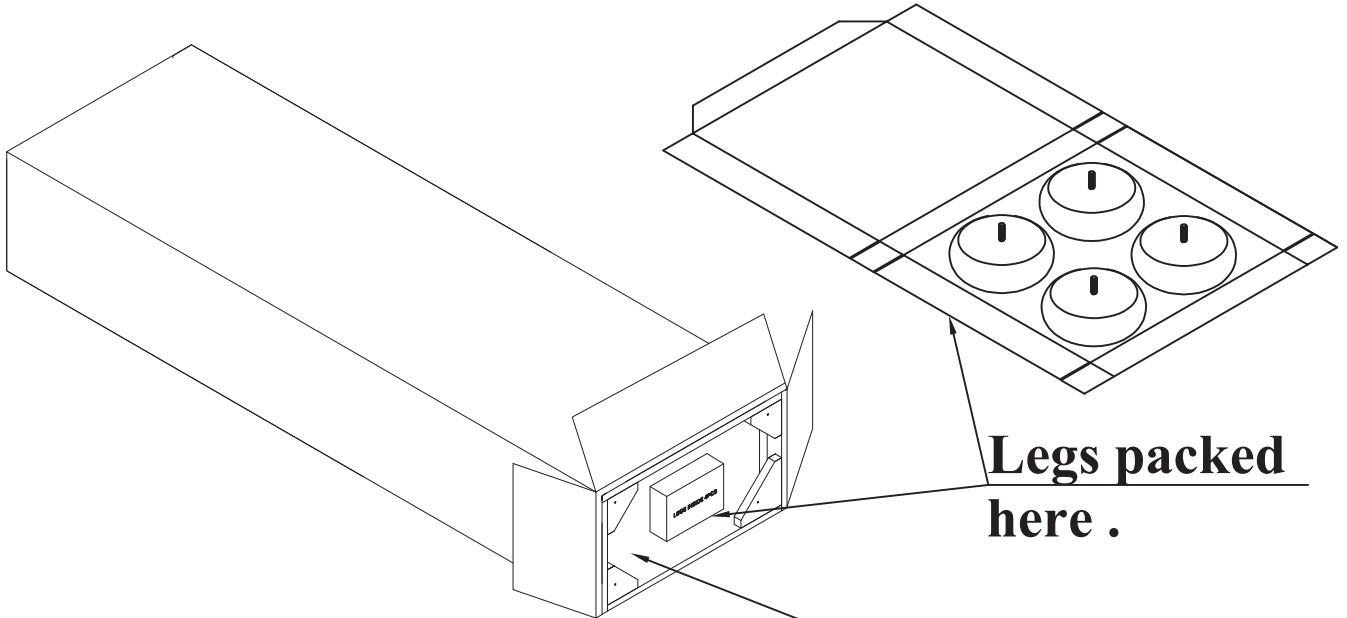
Warning: This tip-over restraint is not to be a substitute for proper adult supervision. Do not allow children to climb on furniture. Items left on top of the TV and furniture, such as toys, remote controls and treats might tempt young children to climb. Push the TV as far back as possible from the front of its stand. Place electrical cords out of a child's reach, and teach children not to play with the cords.



Parker House®
FURNITURE

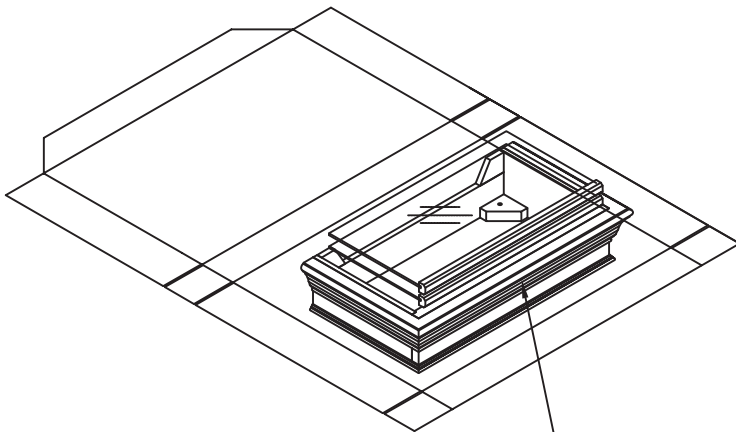
Assembly Instruction

Item NO : CAP#250P



Legs packed here .

Hardware are here .



Top crown and Glass shelf Packed here .













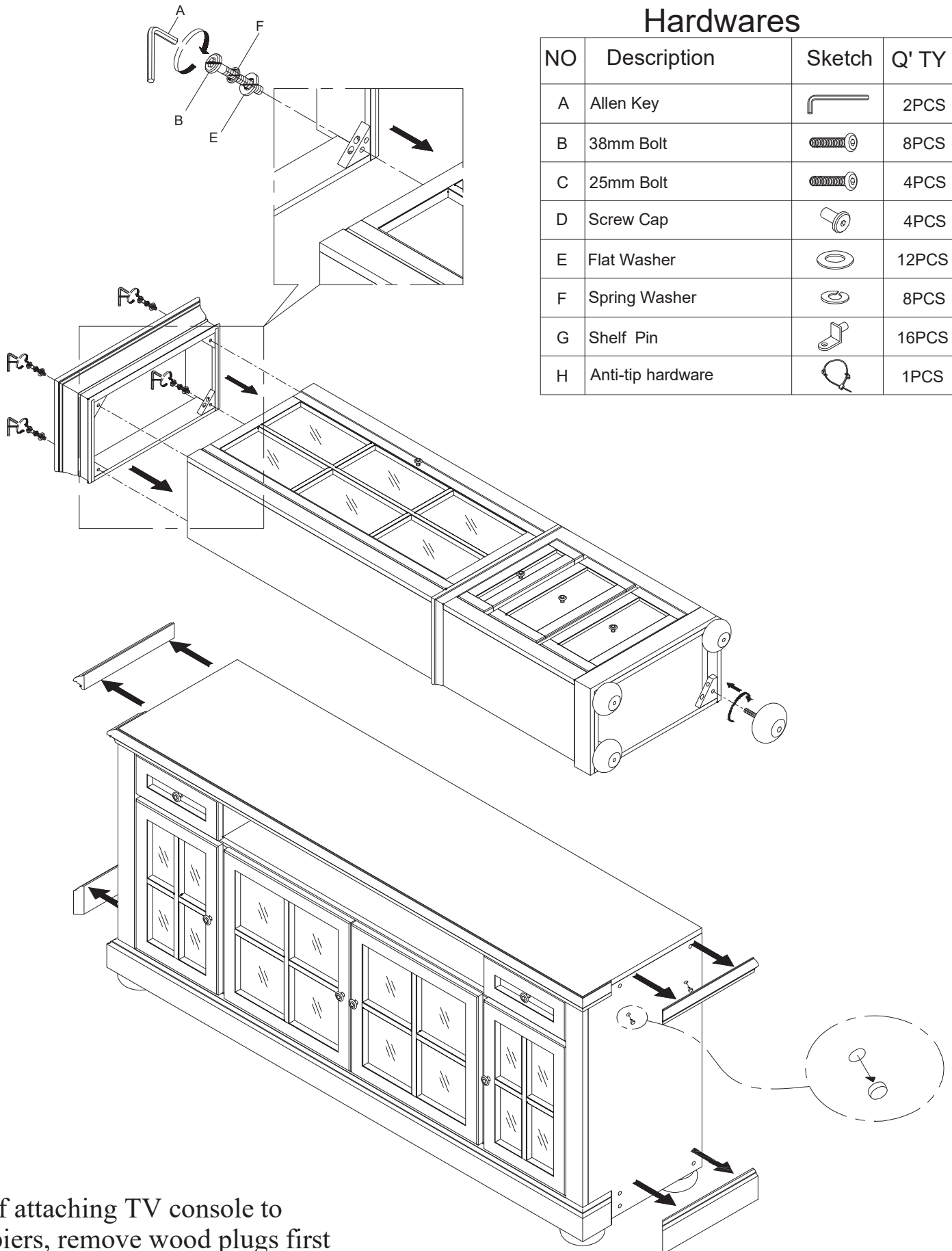
Parker House
FURNITURE

Assembly Instruction

Item NO : CAP#250P

Hardwares

NO	Description	Sketch	Q' TY
A	Allen Key		2PCS
B	38mm Bolt		8PCS
C	25mm Bolt		4PCS
D	Screw Cap		4PCS
E	Flat Washer		12PCS
F	Spring Washer		8PCS
G	Shelf Pin		16PCS
H	Anti-tip hardware		1PCS



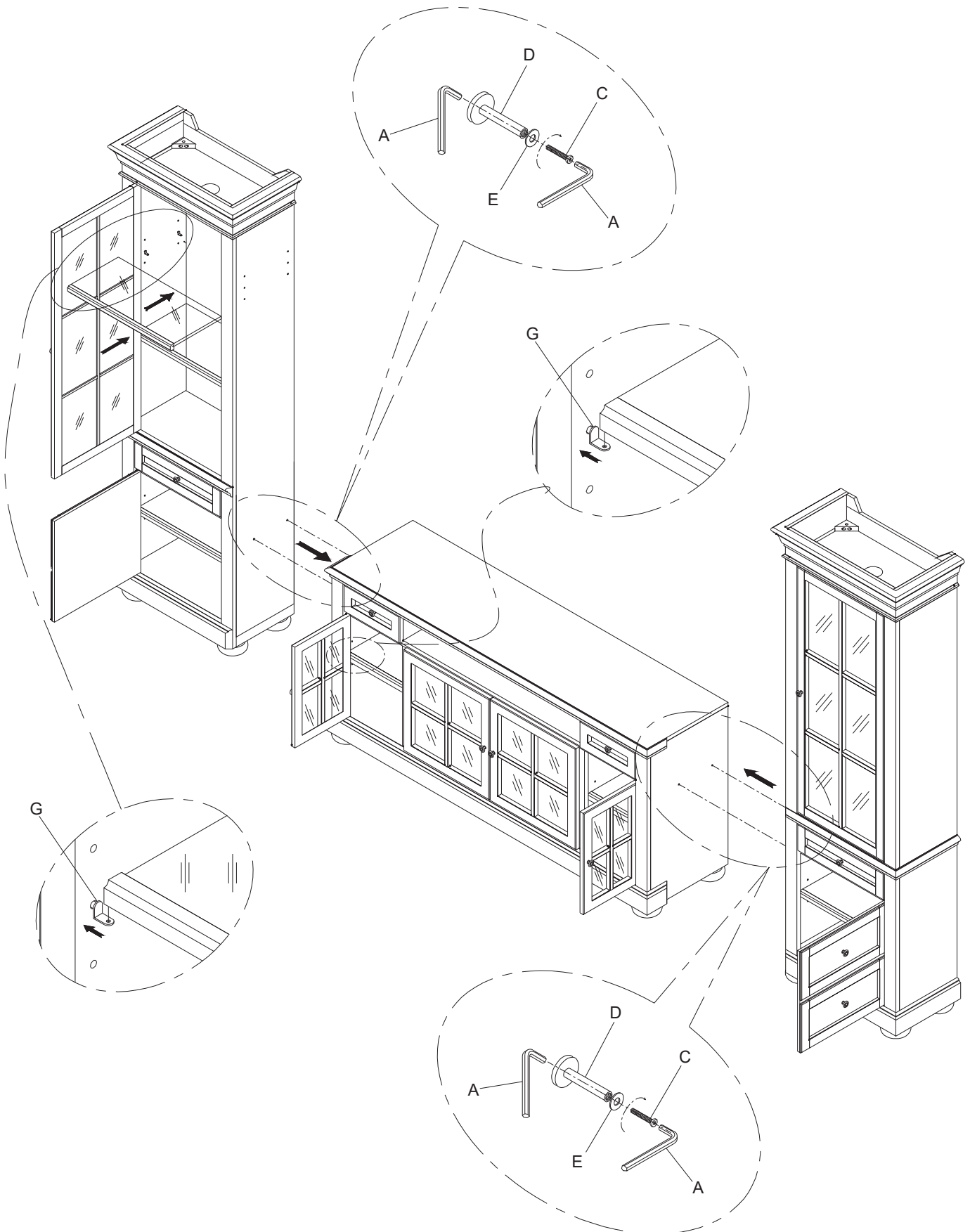
If attaching TV console to piers, remove wood plugs first



Parker House
FURNITURE

Assembly Instruction

Item NO : CAP#250P





Parker House
FURNITURE

Assembly Instruction

Item NO : CAP#100

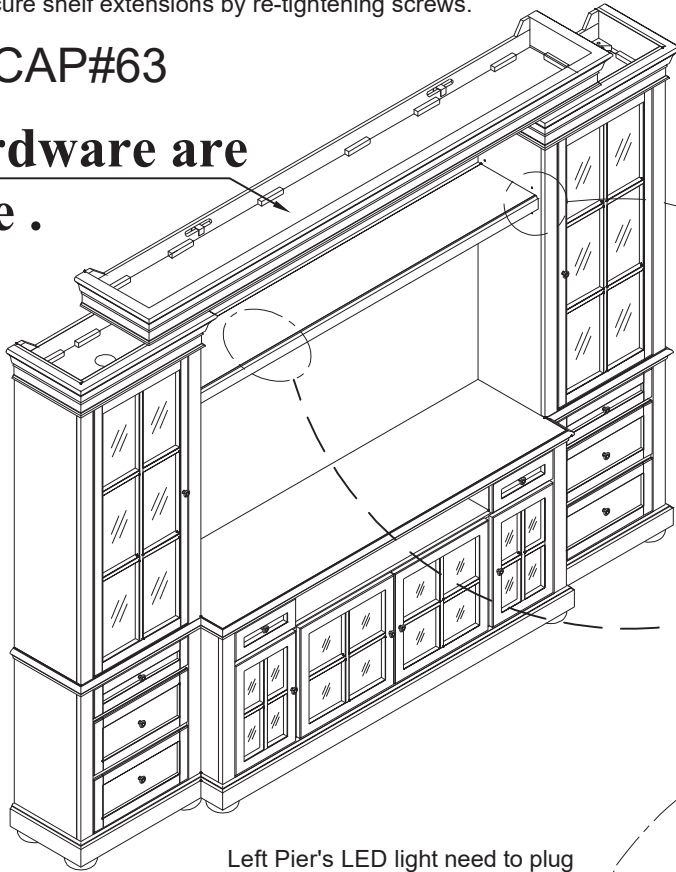
Hardwares

NO	Description	Sketch	Q' TY
A	Wood Screws 1"		4PCS
B	Wood Screws 1/2"		16PCS
C	Wood Screws 1/2"		4PCS
D	Large Shelf Pin		4PCS
E	Hooks		2PCS

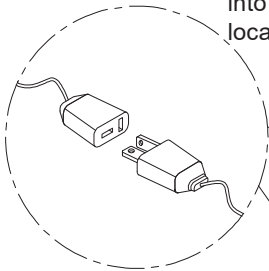
Secure Large Shelf Pin to both Pier and expandable TV area shelf as shown with Wood Screws (A). To expand shelf, loosen screws underneath it, expand shelf extensions, to proper position in TV area, then re-secure shelf extensions by re-tightening screws.

CAP#63

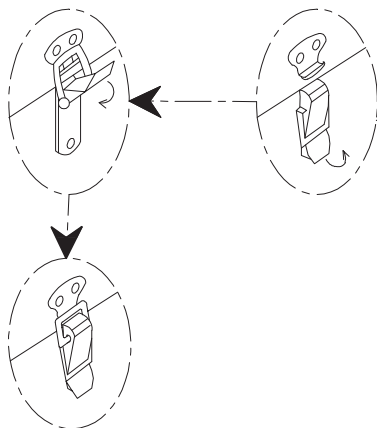
Hardware are here .



Left Pier's LED light need to plug into the adapter control, which locate in top of right Pier.



Secure Hooks (D) to Backpanel with Wood Screws (E), and secure to rear of Bridge as shown.



Position backpanel wings into slotted grooves found at console's top rear, then fasten to backpanel with connecting clips.



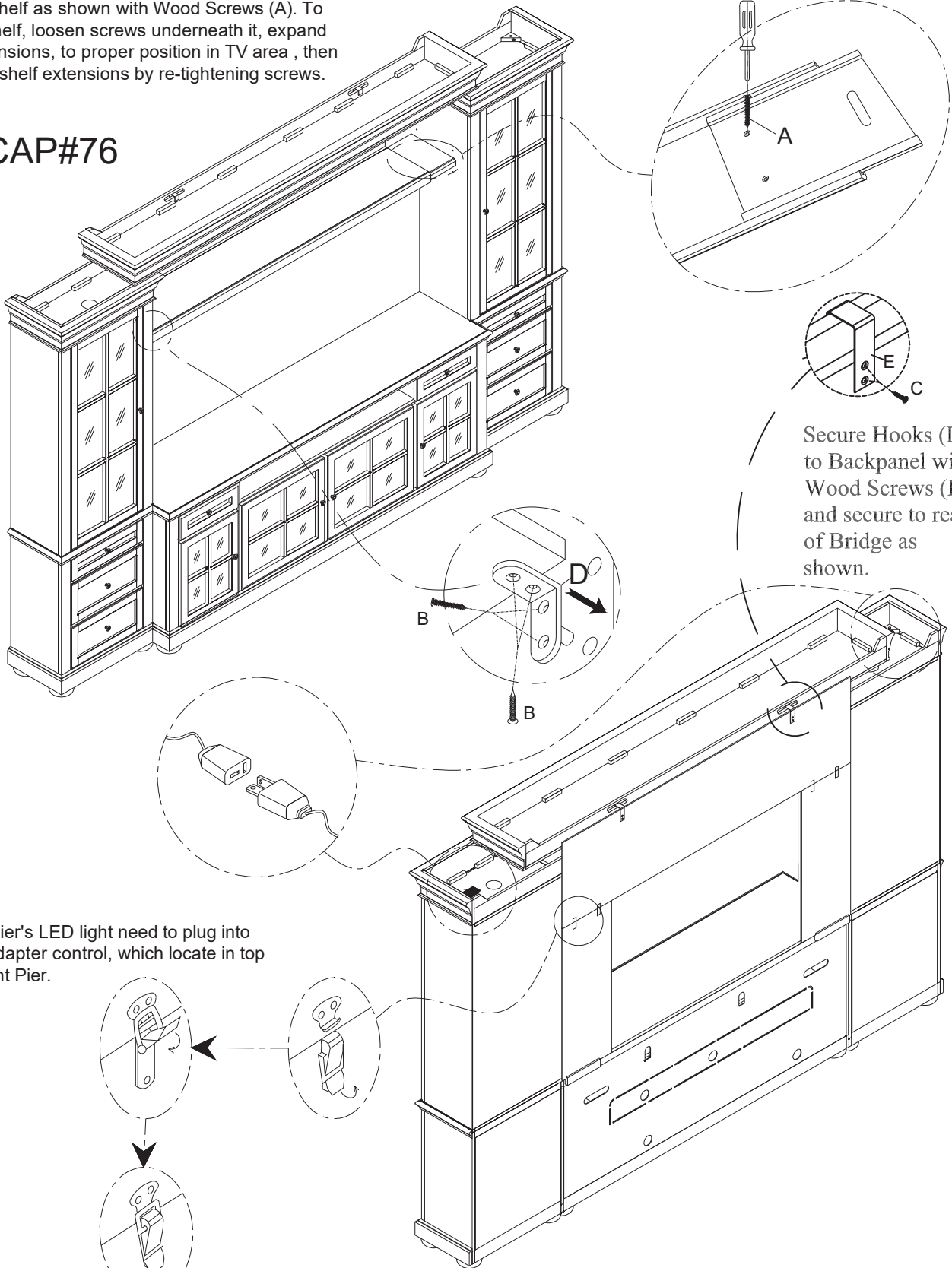
Parker House
FURNITURE

Assembly Instruction

Item NO : CAP#100

Secure Large Shelf Pin to both Pier and expandable TV area shelf as shown with Wood Screws (A). To expand shelf, loosen screws underneath it, expand shelf extensions, to proper position in TV area, then re-secure shelf extensions by re-tightening screws.

CAP#76



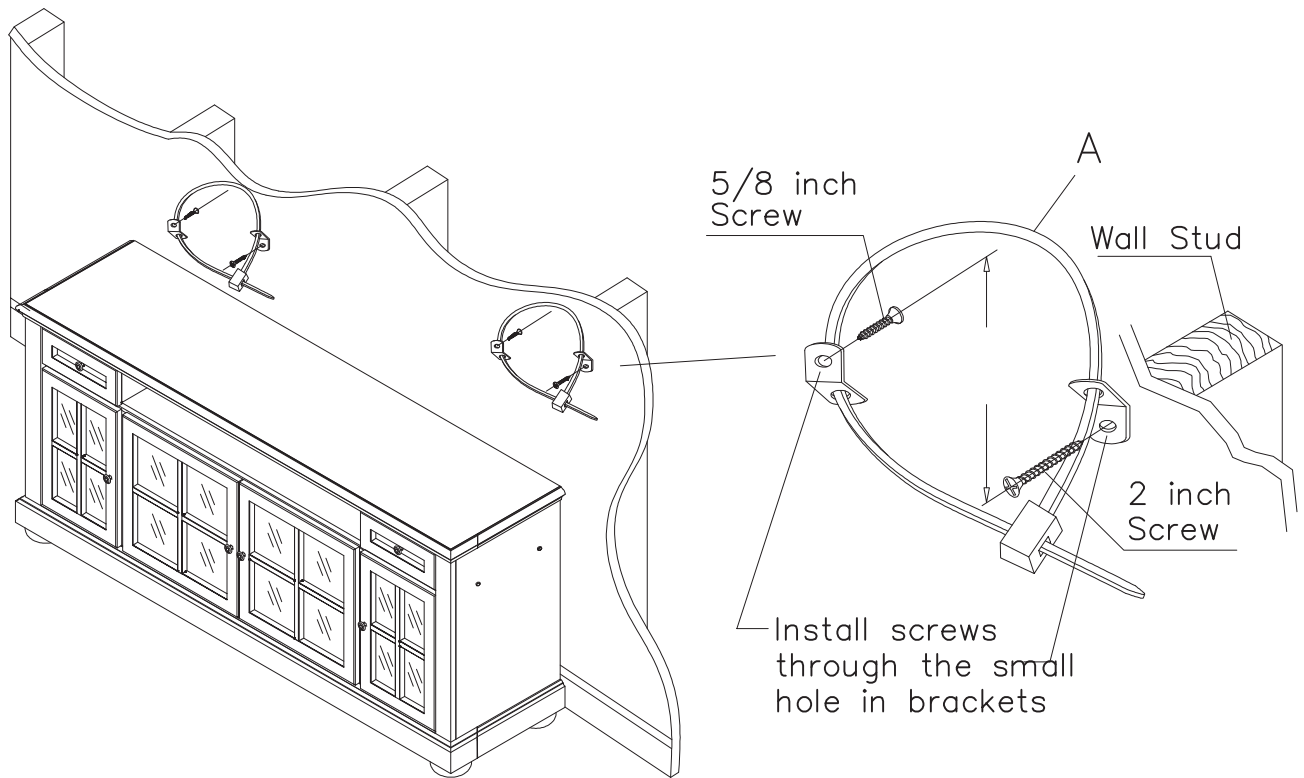
Secure Hooks (D) to Backpanel with Wood Screws (E), and secure to rear of Bridge as shown.

Left Pier's LED light need to plug into the adapter control, which locate in top of right Pier.

Position backpanel wings into slotted grooves found at console's top rear, then fasten to backpanel with connecting clips.

Anti-Tip Hardware Installation Instructions

Notice: In homes where small children may be present, Parker House. recommends that steps be taken for certain furniture items to prevent or minimize the risk of tip-over. This furniture is equipped with Tip-over Restraint Hardware for use to minimize this risk, if used. Please follow below installation steps. Parker House. recommends that parents and guardians periodically visit the U.S. Consumer Product Safety Commission (CPSC) website at <http://www.cpsc.gov/> and stay up to date on all issues related to children's product safety.



Locate a

1. Temporarily locate the furniture to near it's final location in the room next to a wall. wall stud behind your furniture and also mark the stud's location on the back of your furniture.
2. Firmly attach one bracket to the stud approximately 2" below the top of the furniture with the 2 inch long Wood Screws provided. It may be necessary to drill 3/32 dia. pilot holes for the screws.
3. Firmly attach the other bracket onto a solid, structural part on the back of the furniture using the 5/8 inch long Wood Screws. It may also be necessary to pilot bore for these screws.
4. Move the furniture into its final position, taking care to line up the wall bracket with the furniture bracket. Thread a strap through the bracket as shown in the illustration. Tighten strap until snug but do not over tighten.

Caution: Parker House. assumes no liability for improper installation or excessive loads placed on screws, brackets or straps. Failure to detach this restraint before moving furniture may result in personal injury and property damage.

Warning: This tip-over restraint is not to be a substitute for proper adult supervision. Do not allow children to climb on furniture. Items left on top of the TV and furniture, such as toys, remote controls and treats might tempt young children to climb. Push the TV as far back as possible from the front of its stand. Place electrical cords out of a child's reach, and teach children not to play with the cords.