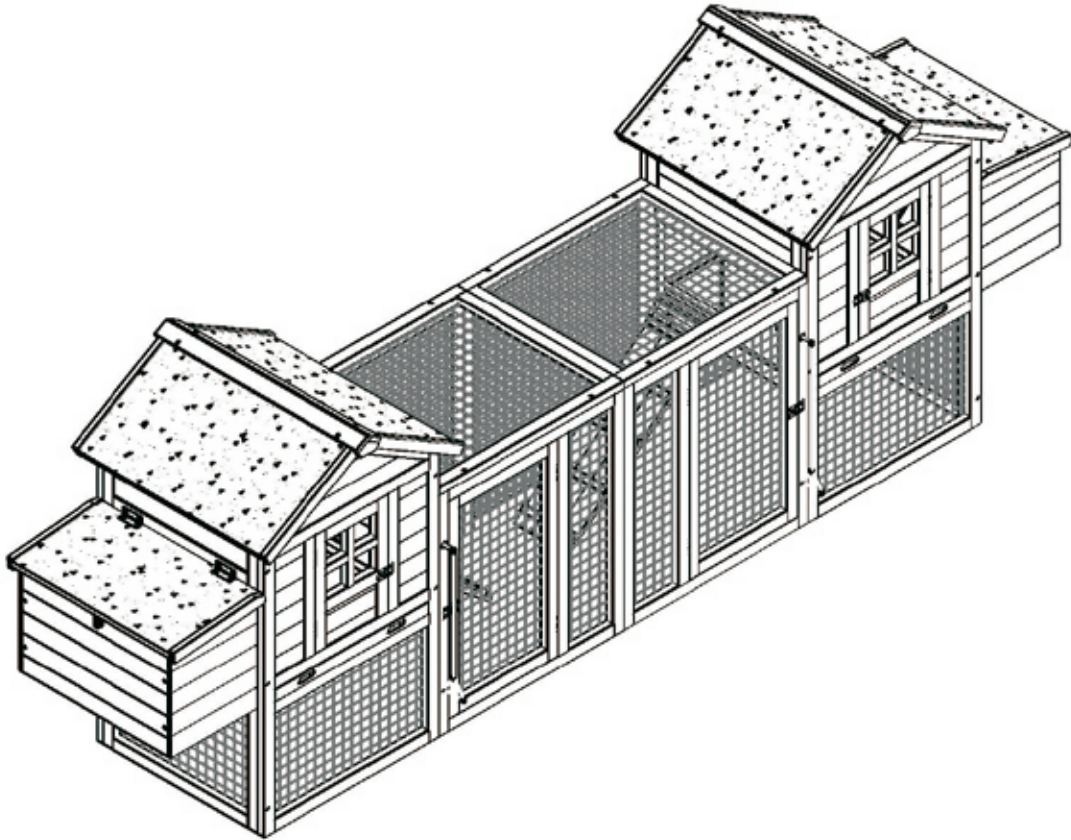


# Chicken Coop Assembly Instructions




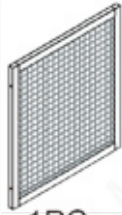
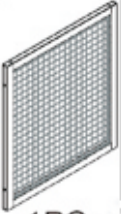
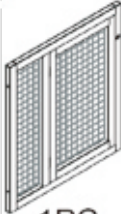
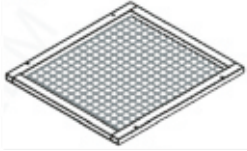
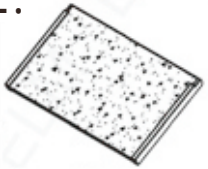












## Attention







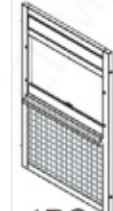




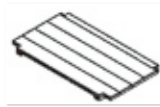



### Thanks for choosing our product

1. Before assembly, please check carefully if you have received all the parts as listed below. If you have any missing or damaged parts, feel free to contact us for help.
2. We recommend to assemble the cage with 2 people.
3. Please wear protective gloves when assembling. Power tools are highly recommended for screwing.

## Package A parts list

<p>15.</p>  <p>2PCS</p>	<p>16.</p>  <p>2PCS</p>	<p>17.</p>  <p>1PC</p>	<p>18.</p>  <p>1PC</p>	
<p>19.</p>  <p>1PC</p>	<p>20.</p>  <p>1PC</p>	<p>21.</p>  <p>2PCS</p>	<p>22.</p>  <p>4PCS</p>	
<p>23.</p>  <p>2PCS</p>				
<p>A</p>  <p>8PCS M6*50</p>	<p>B</p>  <p>12PCS M3.5*50</p>	<p>C</p>  <p>28PCS M3.5*40</p>	<p>D</p>  <p>16PCS M3.5*30</p>	<p>E</p>  <p>16PCS M3.5*25</p>
<p>F</p>  <p>12PCS M3.0*16</p>	<p>G</p>  <p>4PCS 1.2INCH Door Lock</p>	<p>H</p>  <p>24PCS M3.0*14 Round head</p>	<p>I</p>  <p>2PCS Handle</p>	


Package B parts list

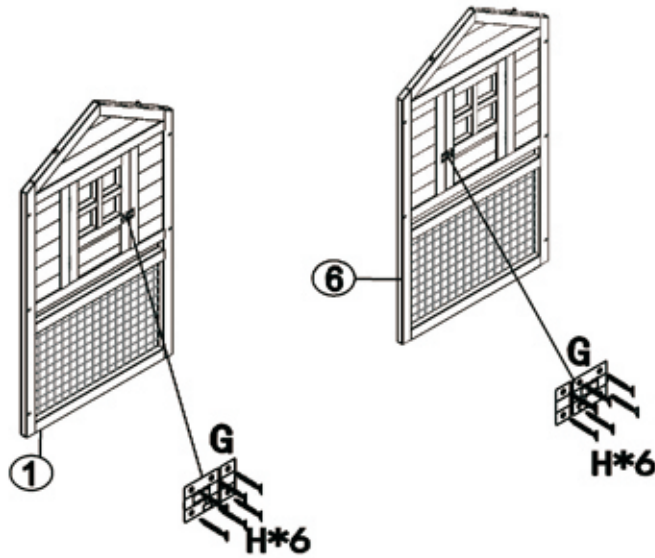
<p>1.</p>  <p>1PC</p>	<p>2.</p>  <p>1PC</p>	<p>3.</p>  <p>1PC</p>	<p>4.</p>  <p>1PC</p>
<p>5.</p>  <p>2PCS</p>	<p>6.</p>  <p>1PC</p>	<p>7.</p>  <p>1PC</p>	<p>8.</p>  <p>1PC</p>
<p>9.</p>  <p>1PC</p>	<p>10.</p>  <p>2PCS</p>	<p>11.</p>  <p>2PCS</p>	<p>12.</p>  <p>2PCS</p>
<p>13.</p>  <p>2PCS</p>	<p>14.</p>  <p>2PCS</p>	<p>24.</p>  <p>2PCS</p>	

# Assembly Guide

## STEP 1

 G\_2PCS


 H\_12PCS

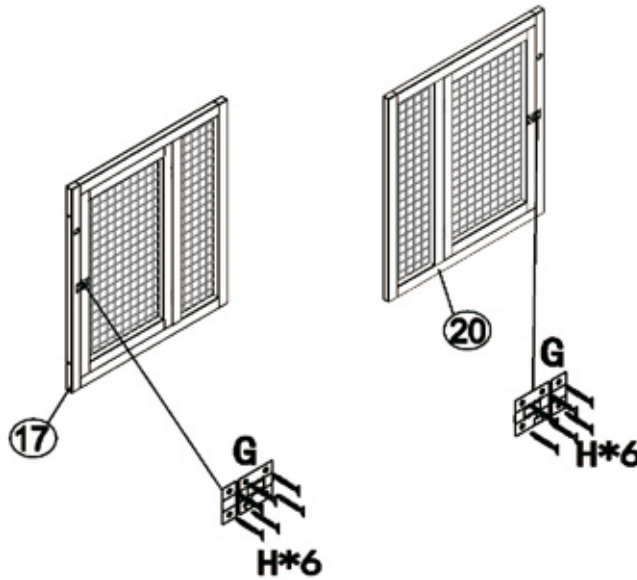


Notice:  
Please drill holes  
by yourself to  
flexibly fit your  
needs.

## STEP 2

 G\_2PCS

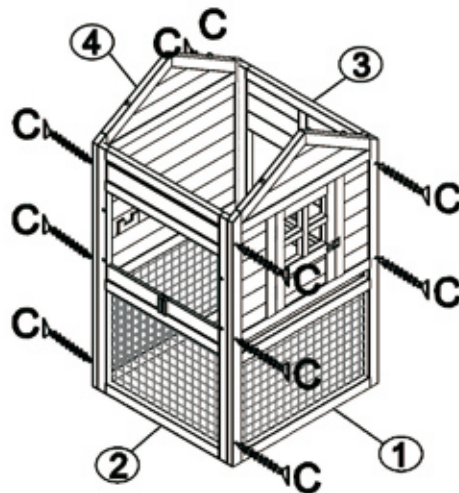
 H\_12PCS



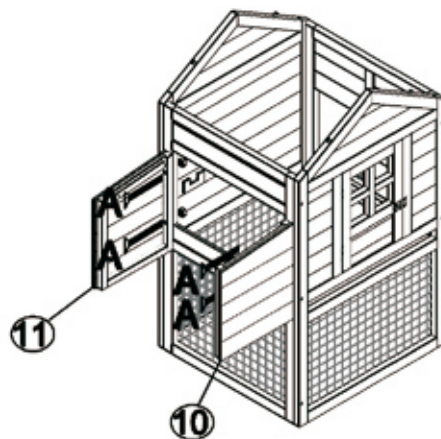
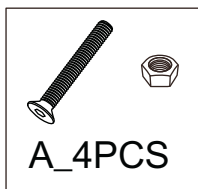
Notice:  
Please drill holes  
by yourself to  
flexibly fit your  
needs.

## STEP 3

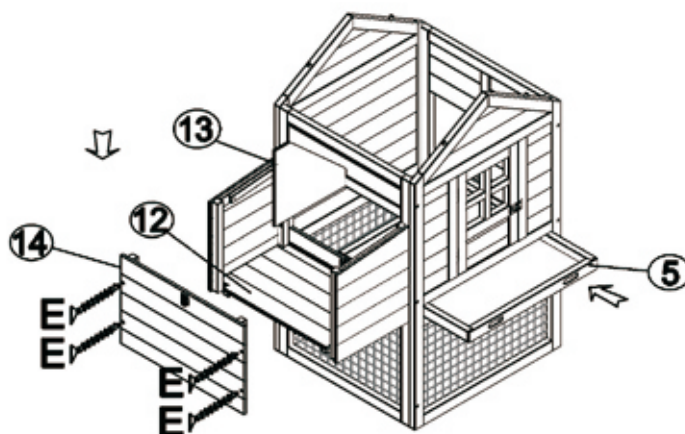
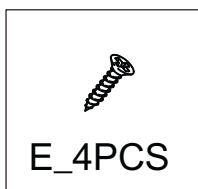
  
C\_10PCS



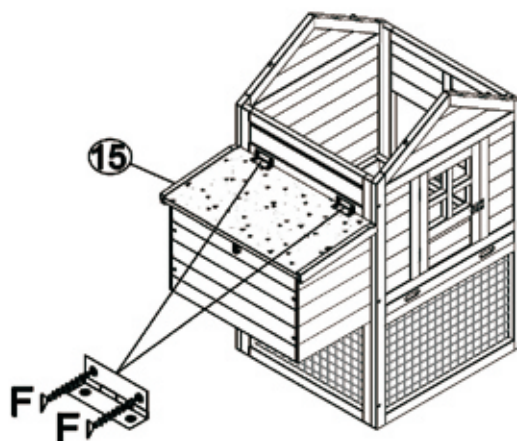
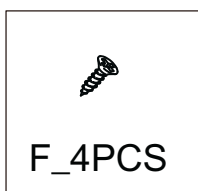
## STEP 4



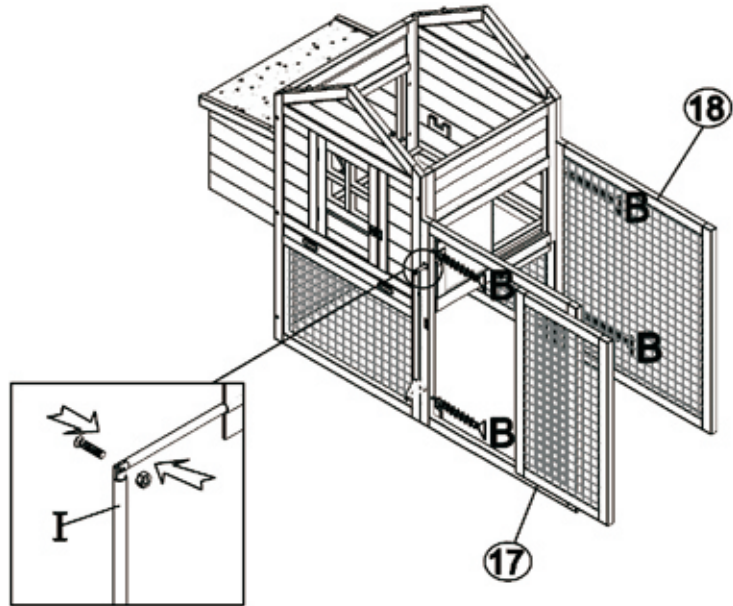
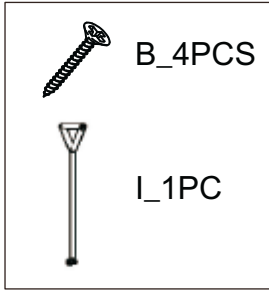
## STEP 5



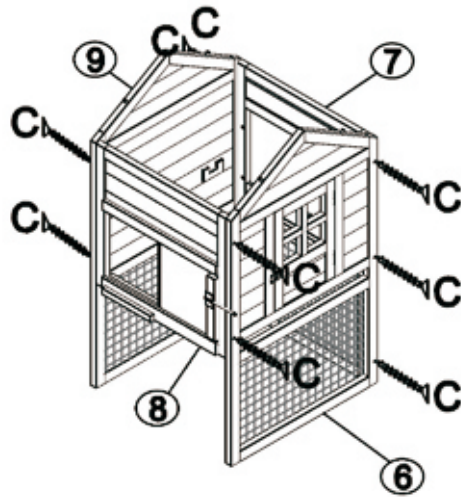
## STEP 6



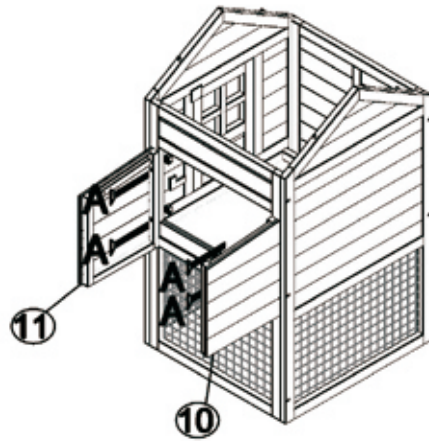
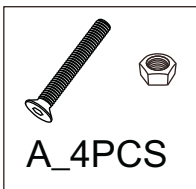
## STEP 7



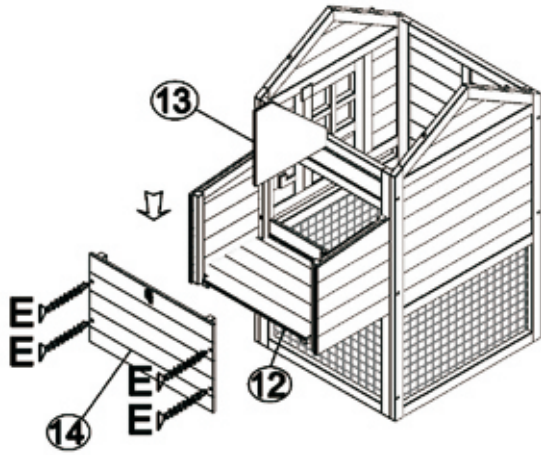
## STEP 8



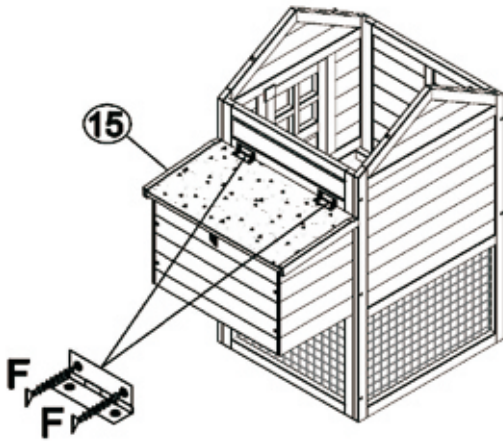
## STEP 9



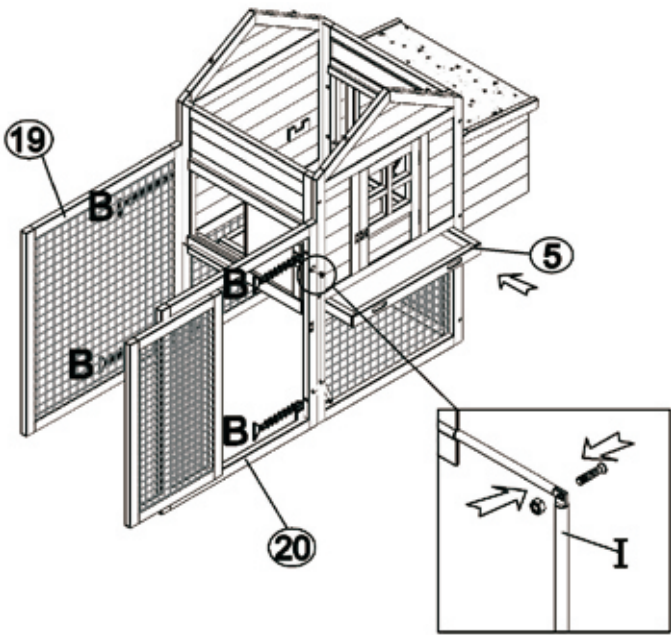
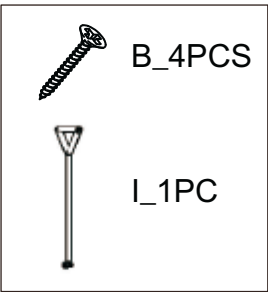
STEP 10



STEP 11



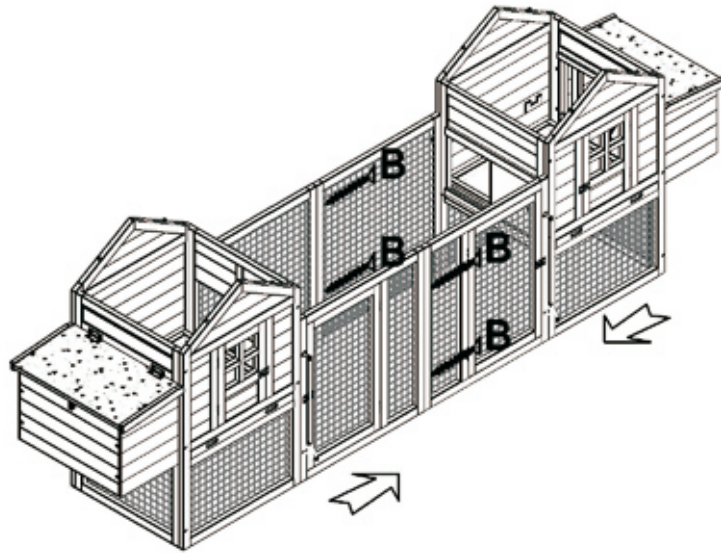
STEP 12



STEP 13



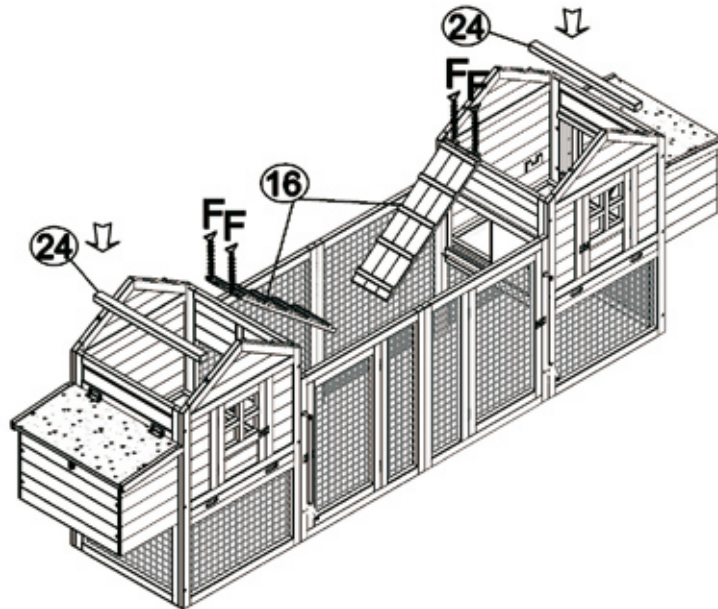
B\_4PCS



STEP 14



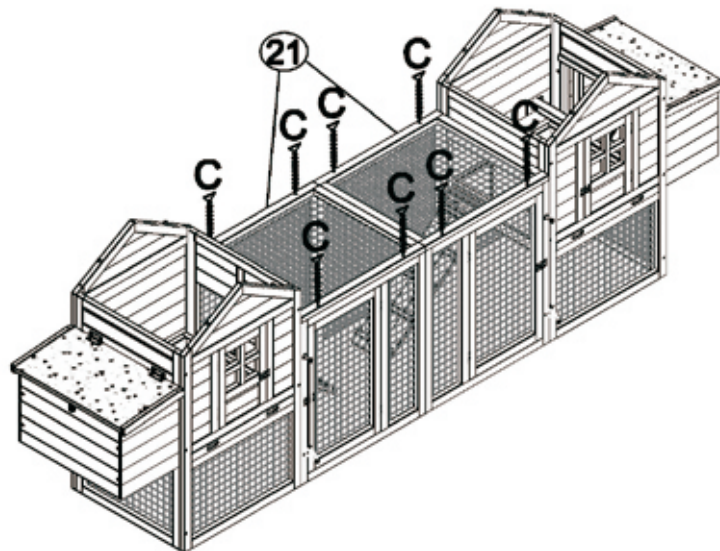
F\_4PCS



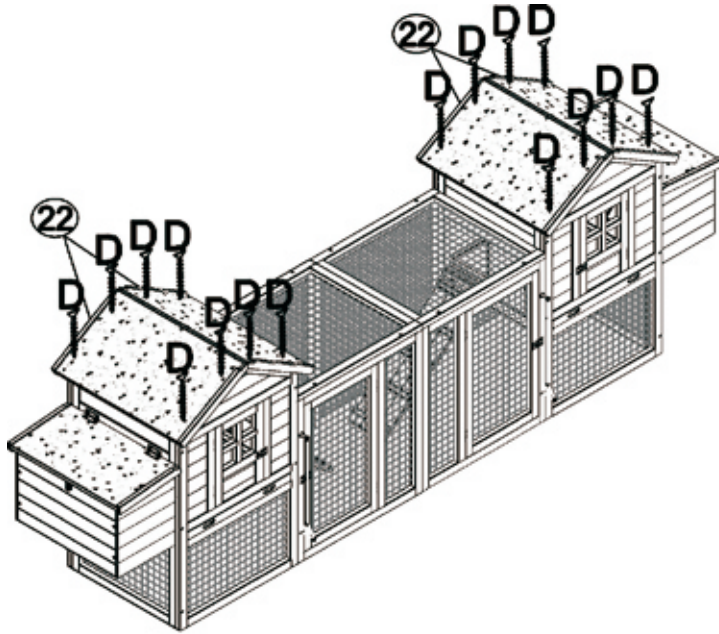
STEP 15



C\_8PCS



STEP 16



STEP 17

