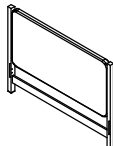
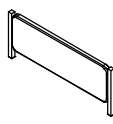

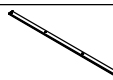



# E.KING/C.KING BED ASSEMBLY INSTRUCTIONS



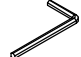
## BOX 1 - HEADBOARD-FOOTBOARD

PART NO.	IMAGE	DESCRIPTION	QUANTITY
A		HEADBOARD	1
B		FOOTBOARD	1

## BOX 2 - SIDERAILS

PART NO.	IMAGE	DESCRIPTION	QUANTITY
C		SIDERAIL	2
D		BED SLAT	5
E		LEG SUPPORT	10

### HARDWARE KIT PACKED IN BOX 1

1		WOOD SCREW (8X30mm)	11
2		ALLEN BOLT (6X40mm)	11
3		ALLEN KEY	1

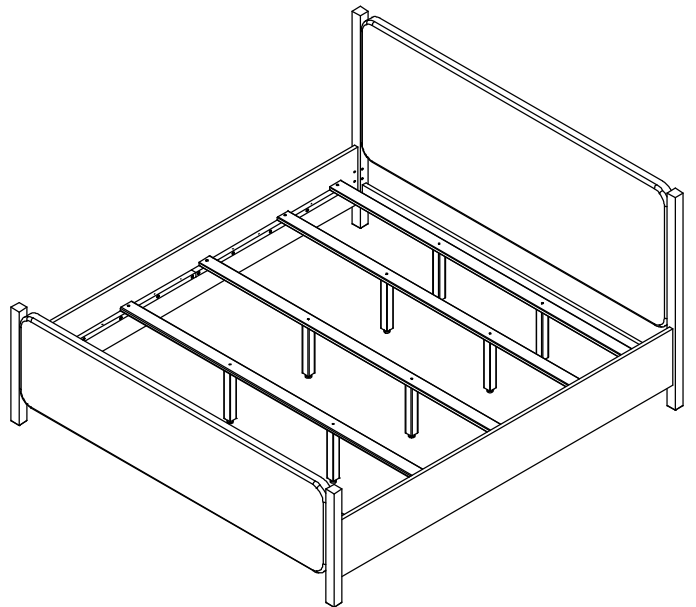
YOUR BOX MAY CONTAIN  
EXTRA HARDWARE



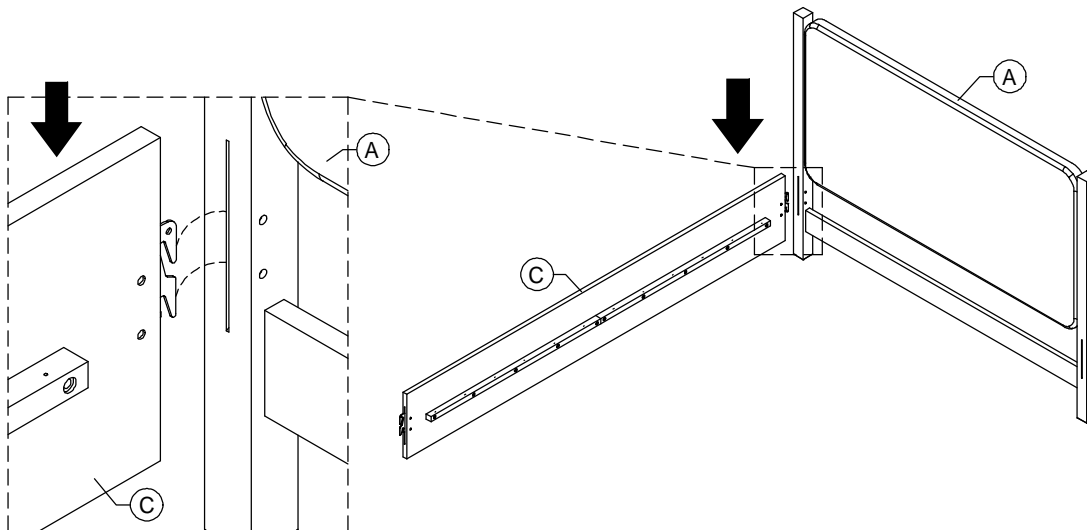
NOT PROVIDED

ASSEMBLE ON A SOFT SURFACE

FULLY ASSEMBLED

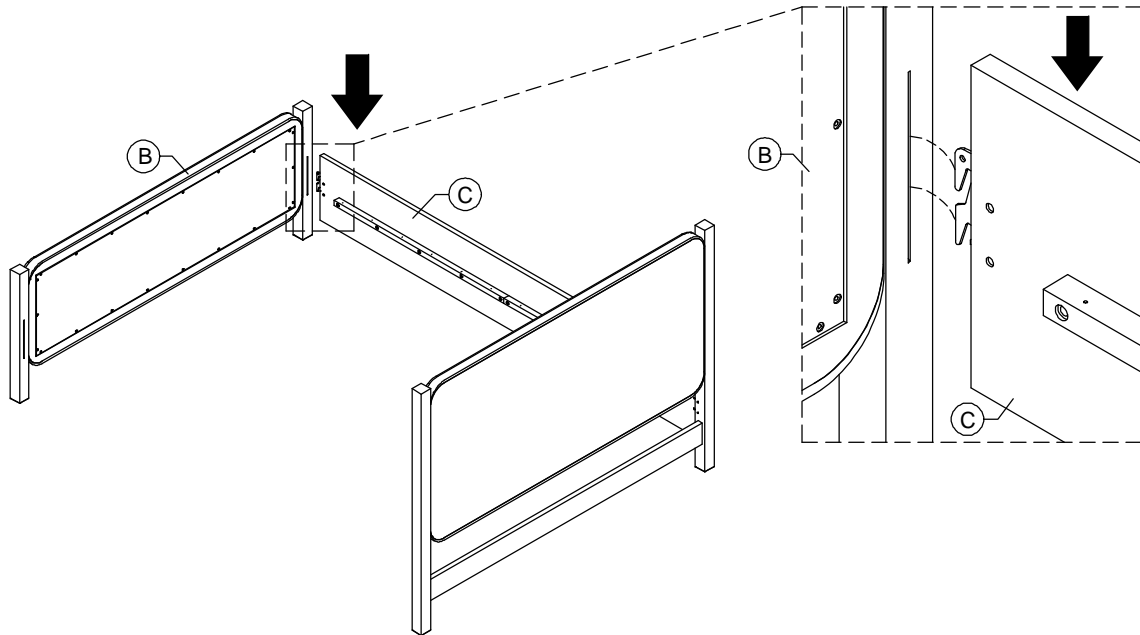


### STEP 1 :

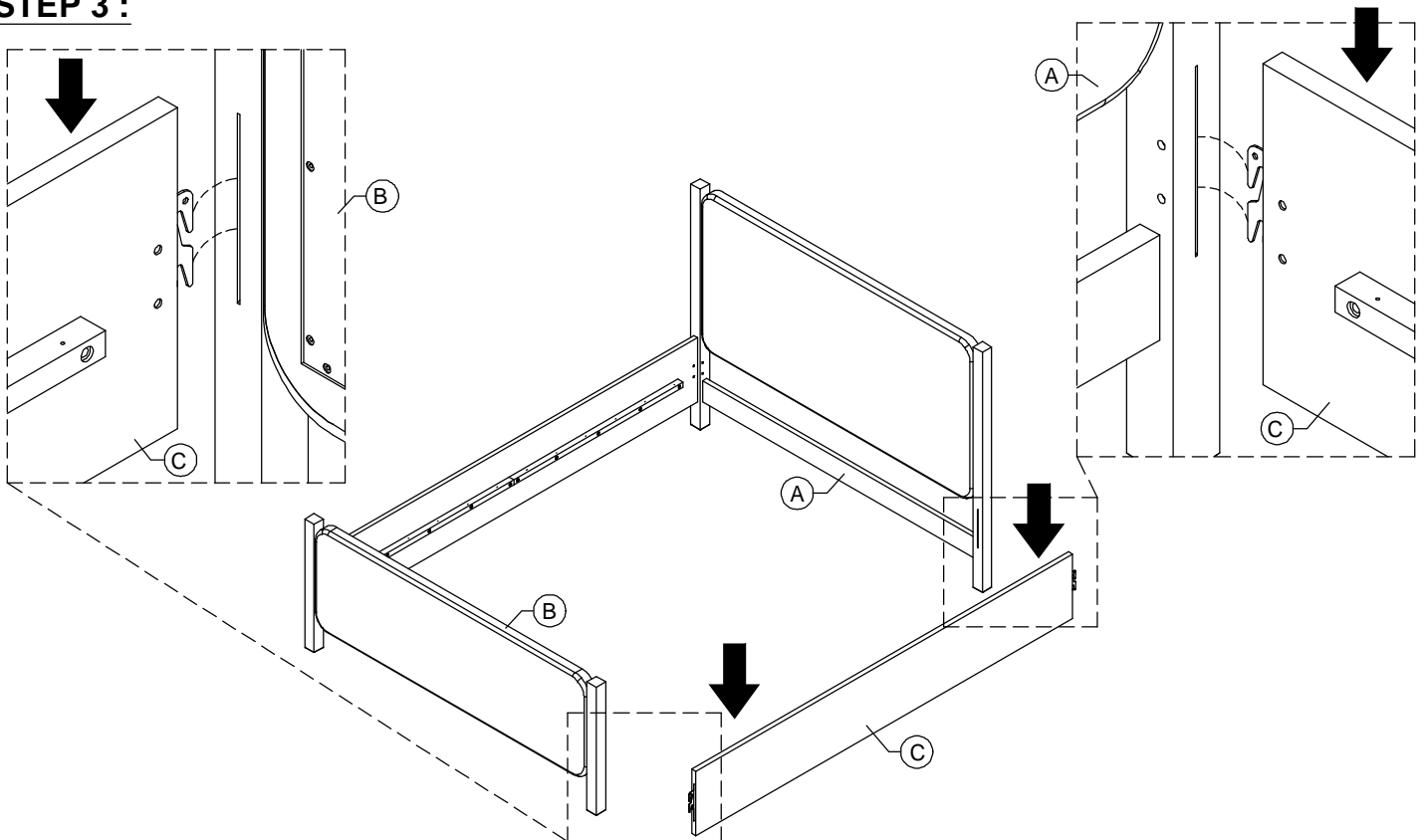


# E.KING/C.KING BED ASSEMBLY INSTRUCTIONS

## STEP 2 :



## STEP 3 :

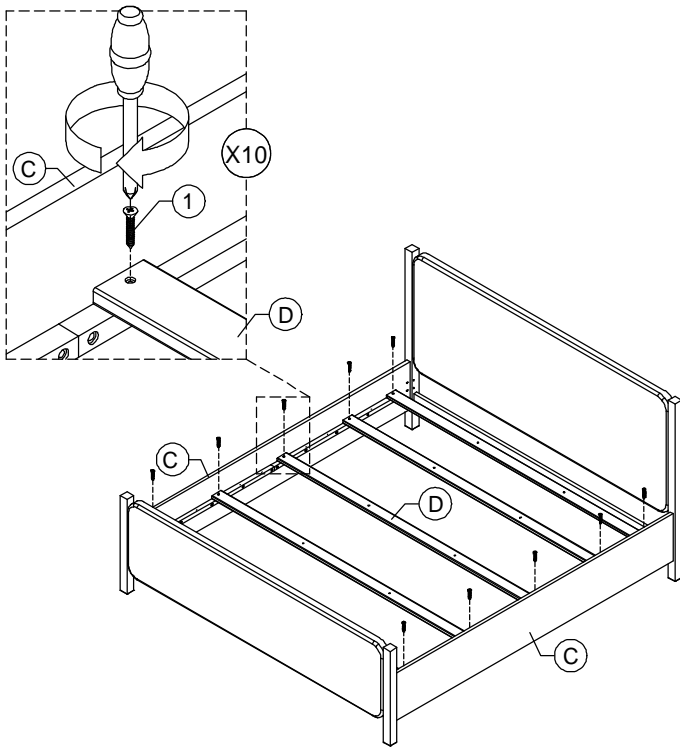


## STOP

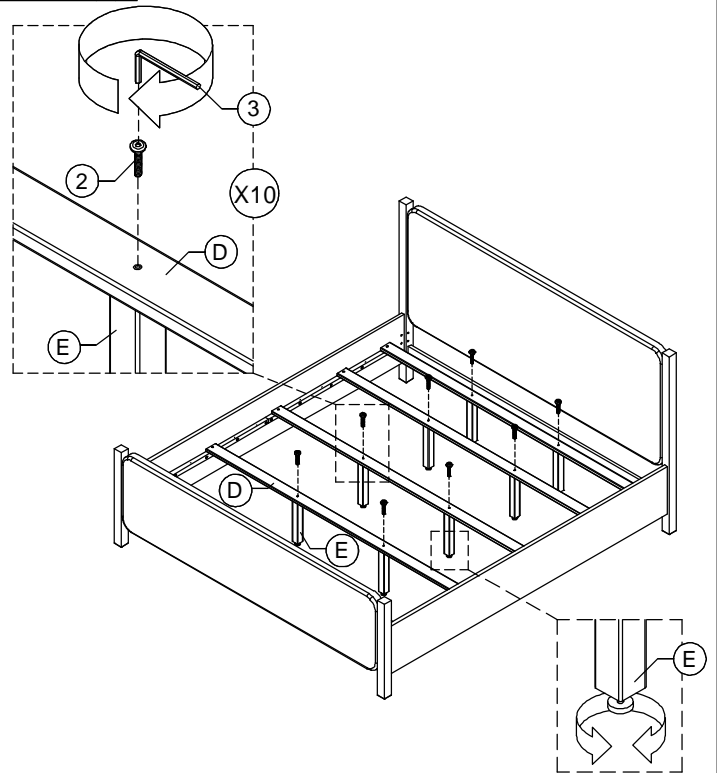
- IF USING BED FRAME WITH ADJUSTABLE MATTRESS BASE, SKIP TO APPENDIX A: ADJUSTABLE MATTRESS BASE ASSEMBLY SUPPLEMENT.
- IF USING BED FRAME WITH STANDARD BOX SPRING OR FOUNDATION CONTINUE TO STEP 4.

# E.KING/C.KING BED ASSEMBLY INSTRUCTIONS

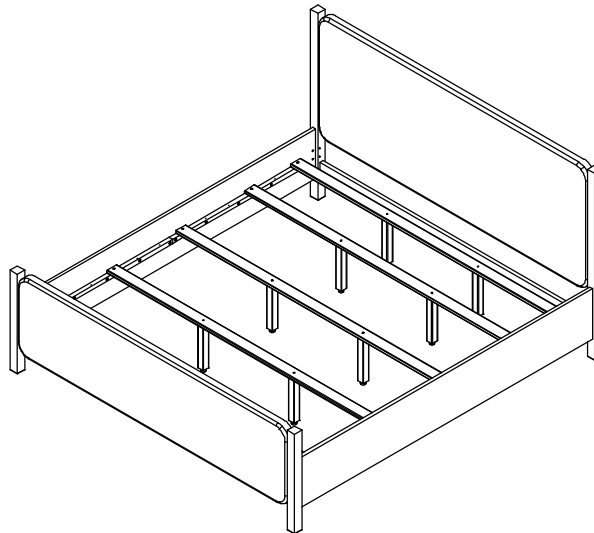
## STEP 4 :



## STEP 5 :



## STEP 6 :



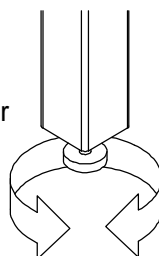
**ASSEMBLY COMPLETE**

## INSTRUCTIONS FOR ADJUSTING LEVELER :

Position the bed in your space and locate the leveler under each leg support (E).

Turn the leveler counter-clockwise to extend the leveler and clockwise to retract it.

Adjust each leveler until each leg support is applying equal, upward pressure on the center slat.



## MAINTENANCE INSTRUCTIONS :

- Periodically check all fittings and tighten if necessary, as they can loosen over time.
- Always remove box spring and mattress before moving the bed.
- Lift the bed when moving it. Dragging the bed can damage the center support.
- Readjust levelers after moving the bed.

# E.KING/C.KING BED

## APPENDIX A: ADJUSTABLE MATTRESS BASE ASSEMBLY SUPPLEMENT

AN ADJUSTABLE MATTRESS BASE IS A FREESTANDING MATTRESS SUPPORT THAT SITS WITHIN THE PERIMETER OF THE BED FRAME.

IF USING THIS BED FRAME WITH A STANDARD BOX SPRING OR FOUNDATION THESE INSTRUCTIONS DO NOT APPLY.

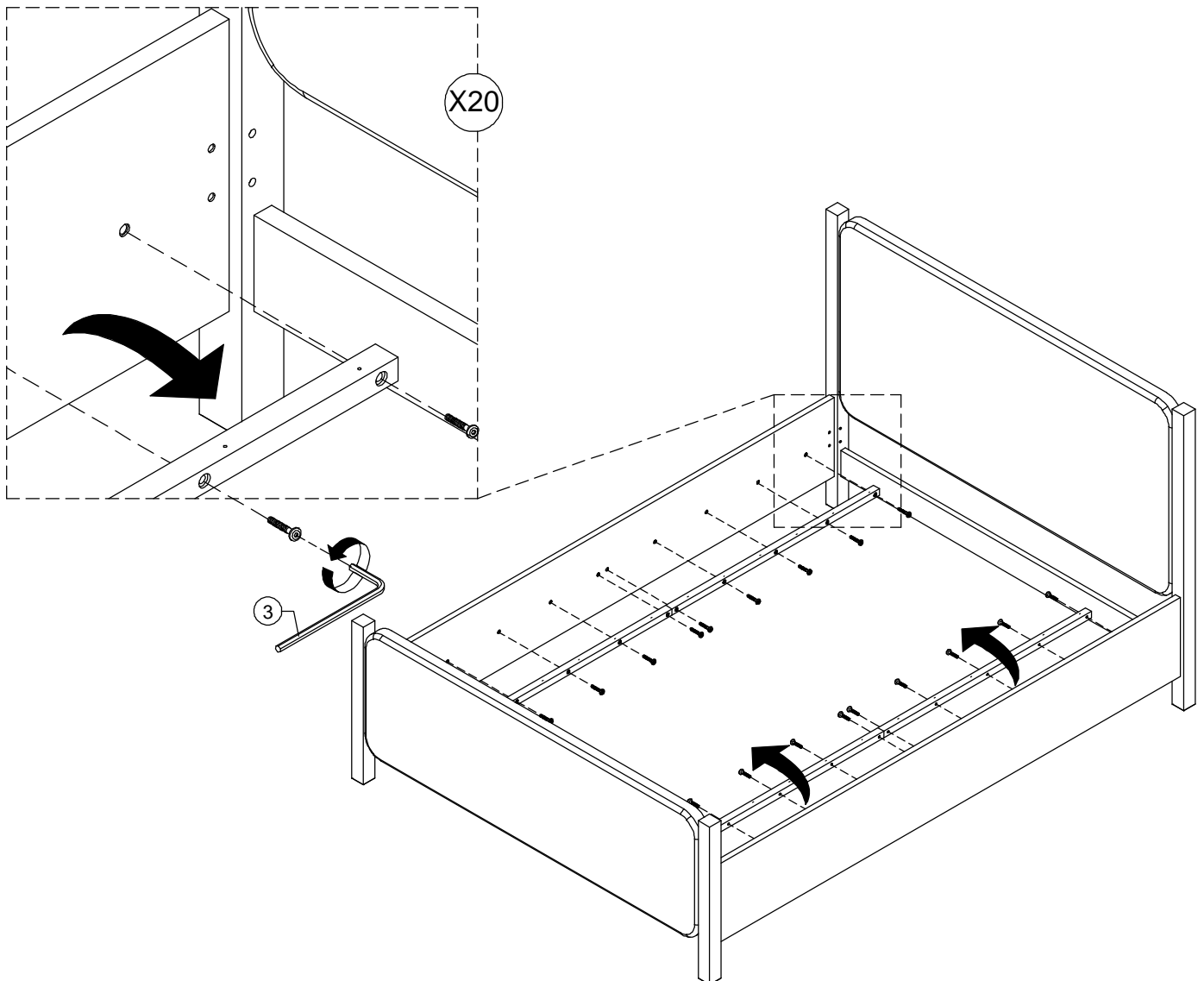
PRE-ASSEMBLED SIDE RAIL CLEATS OBSTRUCT ADJUSTABLE BASE INSTALLATION AND OPERATION. FOLLOW THESE INSTRUCTIONS TO REMOVE THEM.

### THE FOLLOWING PARTS ARE NOT REQUIRED FOR ADJUSTABLE MATTRESS BASE INSTALLATION:

D. BED SLAT	5PCS	1. WOOD SCREW (8X30mm)	11PCS
E. LEG SUPPORT	10PCS	2. ALLEN BOLT (6X40mm)	11PCS

### STEP 1 :

USE ALLEN KEY (3) TO UNSCREW ALLEN BOLTS AND REMOVE PRE-ASSEMBLED SIDE RAIL CLEATS.



NOTE: YOU MAY WISH TO RETAIN UNUSED PARTS IF IN THE FUTURE YOU INTEND TO USE THE BED FRAME WITH A STANDARD BOX SPRING OR FOUNDATION.