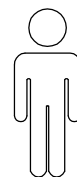
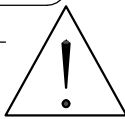
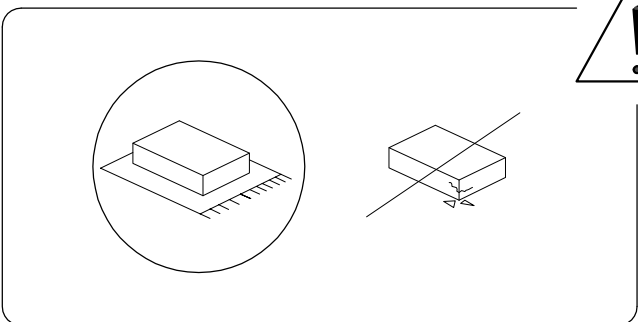


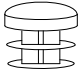
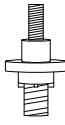
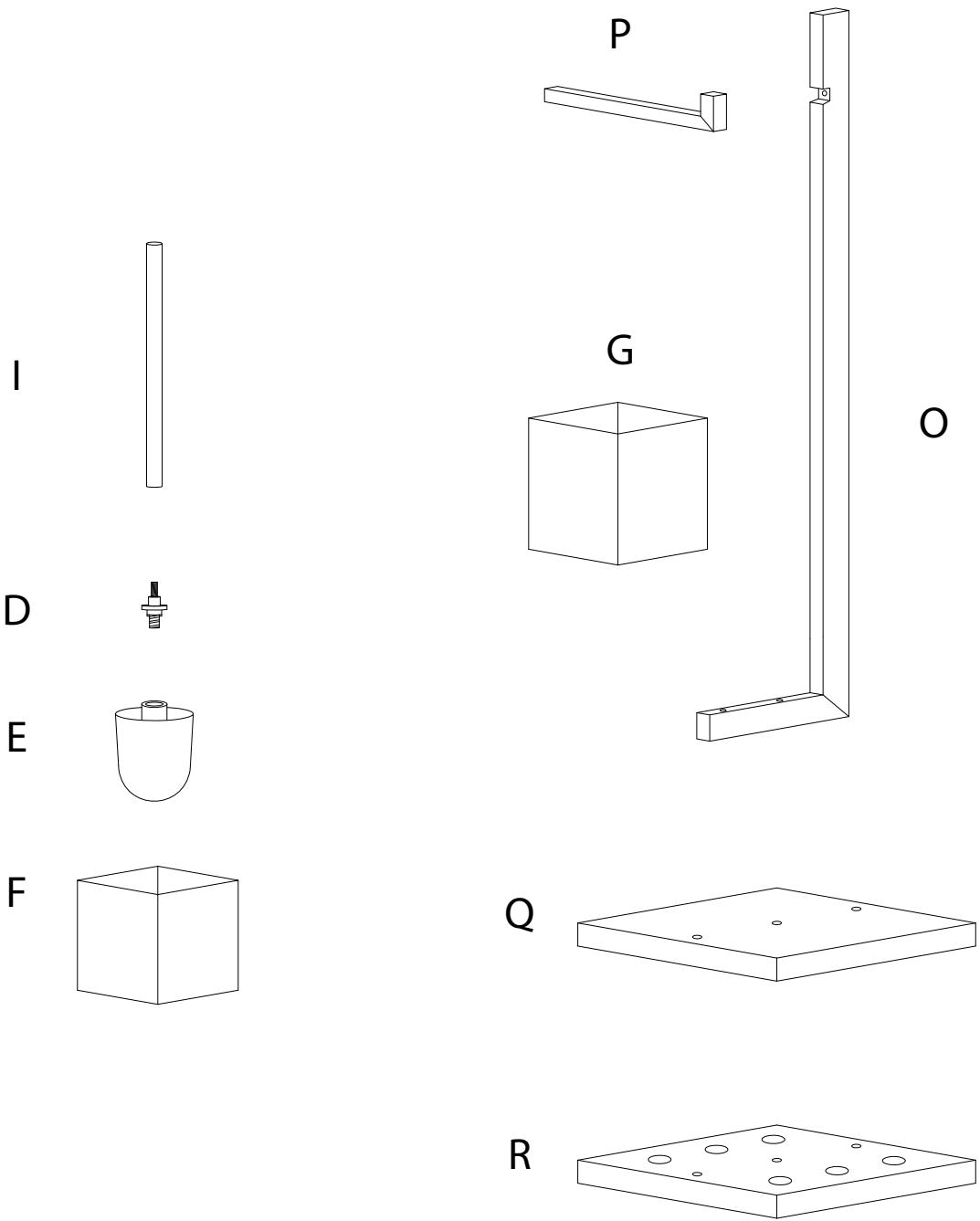


10'

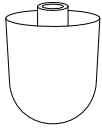


1

<p>A</p>  <p>x 2</p>	<p>B</p>  <p>x 2</p>	<p>C</p>  <p>x 1</p>	<p>D</p>  <p>x 1</p>
---	---	--	---

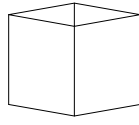


E



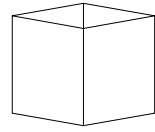
x 1

F



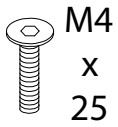
x 1

G



x 1

H



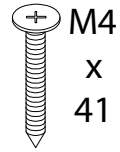
x 1

I



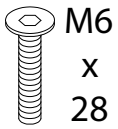
x 1

J



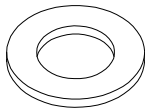
x 2

K



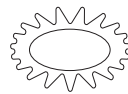
x 2

L



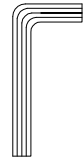
x 2

M



x 2

N



x 1

O



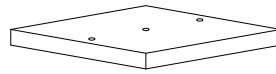
x 1

P



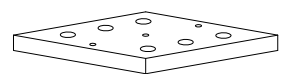
x 1

Q



x 1

R



x 1

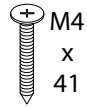
1

G



x 1

J

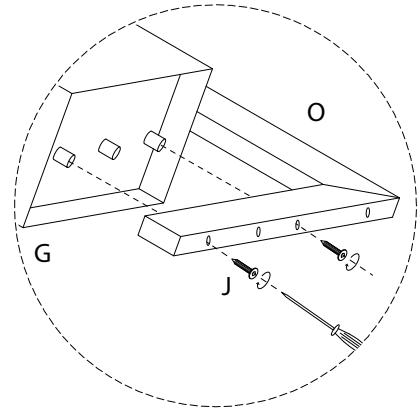
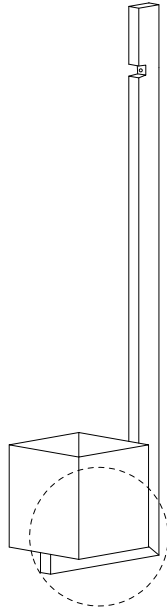


x 2

O



x 1



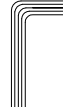
2

H



x 1

N

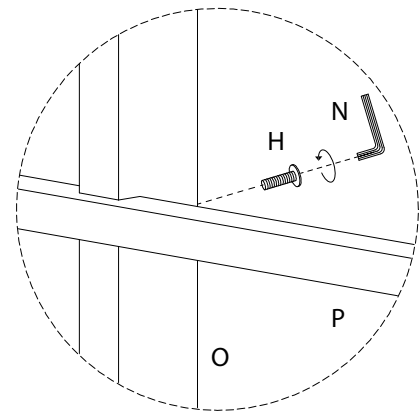
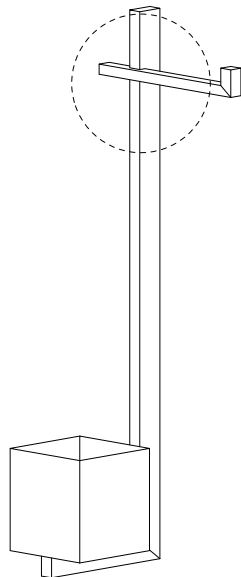


x 1

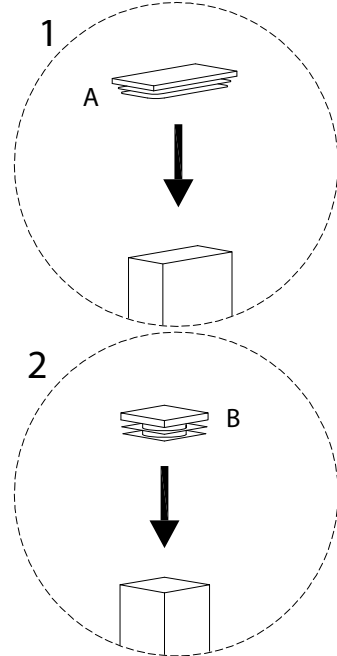
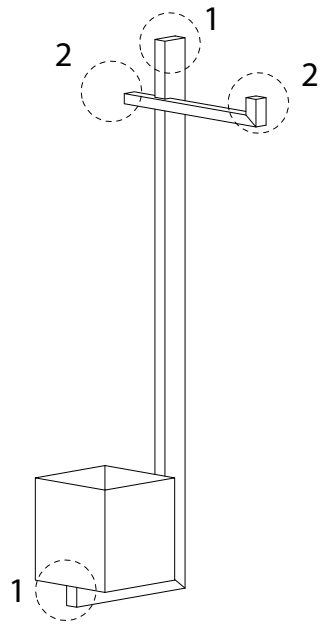
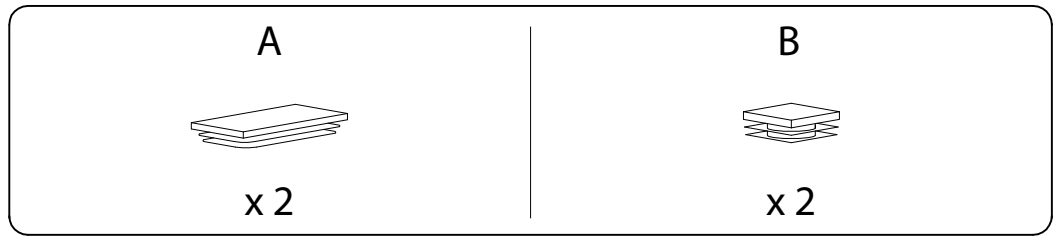
P



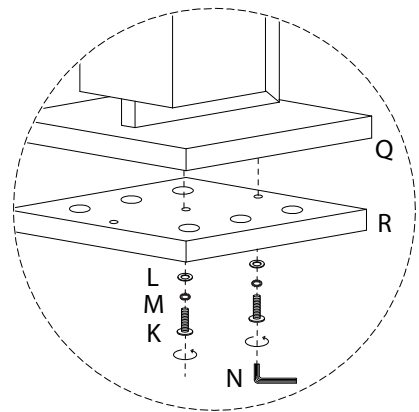
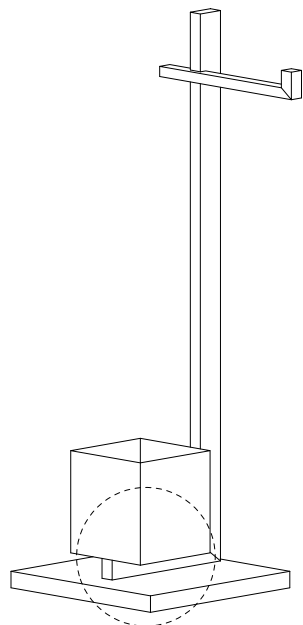
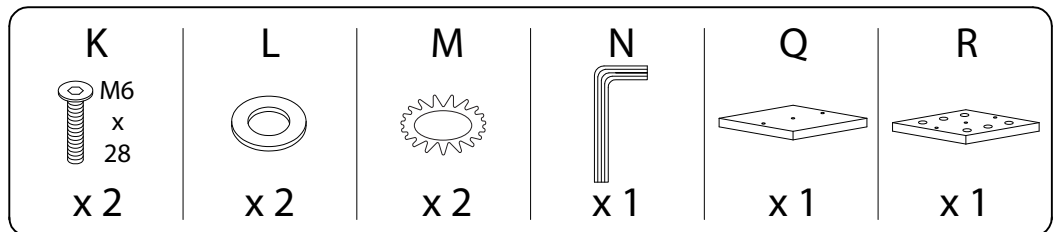
x 1



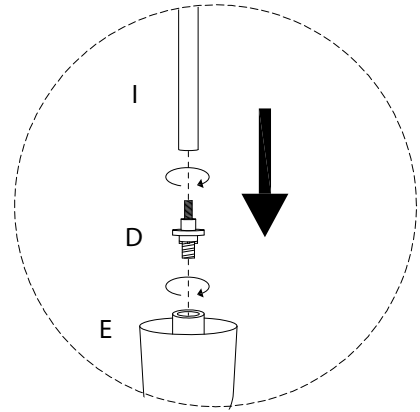
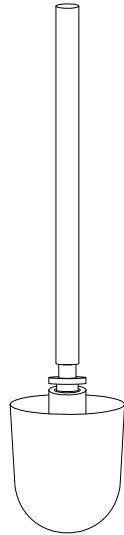
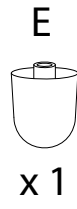
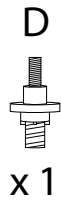
3



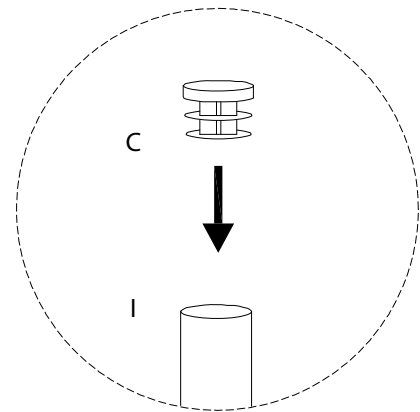
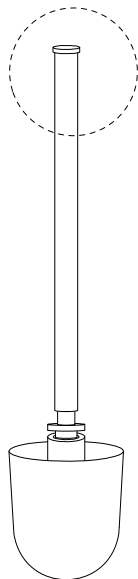
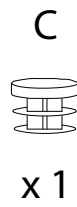
4



5



6



7

