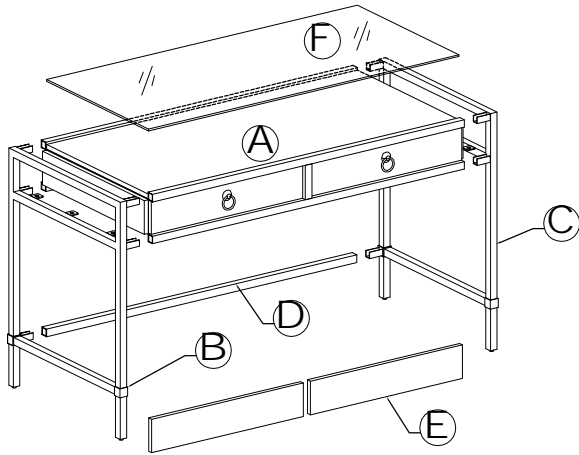


ASSEMBLY INSTRUCTIONS SHAGREEN WRITING DESK



PARTS CHECK LIST

| CODE | COMPONENTS | QTY |
|------|------------|-----|
| (A) | BODY | x01 |
| (B) | LEFT LEG | x01 |
| (C) | RIGHT LEG | x01 |
| (D) | STRETCHER | x01 |
| (E) | BACK PANEL | x02 |
| (F) | GLASS | x01 |

HARDWARE CHECK LIST

| CODE | DESCRIPTION | QTY |
|------|---------------|-----|
| 01 | Allen bolt | x06 |
| 02 | Pan head bolt | x20 |
| 03 | Spring washer | x06 |
| 04 | Flat washer | x06 |
| 05 | Allen key | x01 |

- PLEASE DO NOT DISCARD ANY OF THE PACKAGING UNTIL YOU HAVE CHECKED ALL THE PARTS AND THE PACKS OF HARDWARE.
 - BEFORE YOU BEGIN TO ASSEMBLE YOUR NEW PIECE OF FURNITURE, PLEASE CHECK TO ENSURE THAT ALL PARTS HAVE BEEN SUPPLIED.
 - FOLLOW INSTRUCTIONS CLOSELY AS DEVIATION FROM THEM MAY VOID YOUR WARRANTY AND PRESENT A POSSIBLE SAFETY RISK.
 - IT IS RECOMMENDED THAT ASSEMBLY IS DONE ON A SOFT SURFACE LIKE CARPET TO AVOID ANY DAMAGE.
 - PERIODICALLY CHECK AND RE-TIGHTEN ANY FASTENERS. WIPE DOWN ALL SURFACES WEEKLY WITH A CLEAN CLOTH. DO NOT CLEAN ANY SURFACES WITH HARSH ABRASIVES OR CHEMICALS.

