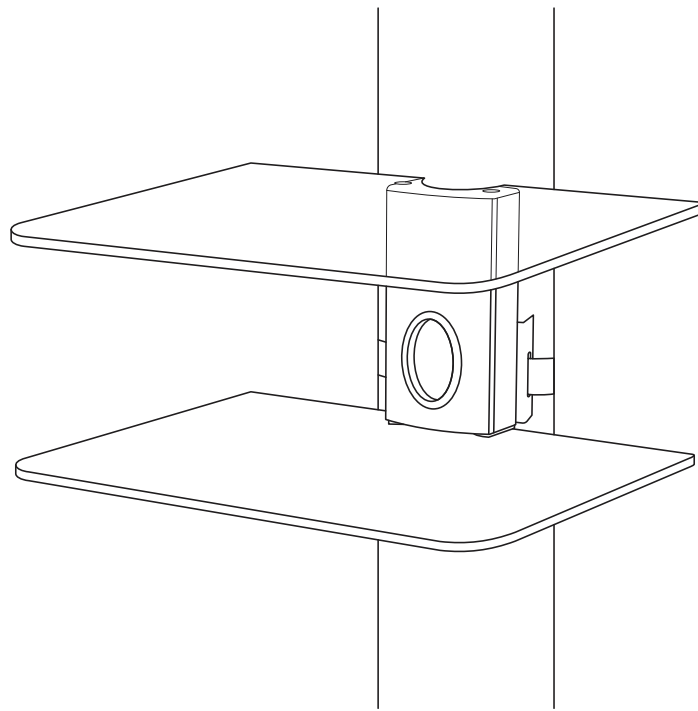


Column Double Layer Shelf



WARNING STATEMENTS

WARNING



Please read the installation instruction before starting the installation. Failure to do so may result in personal injury, property damage or voiding of manufacturer warranty.



Pay attention to the weight limit. Exceeding the limit can result in impairment, serious injury and property damage.

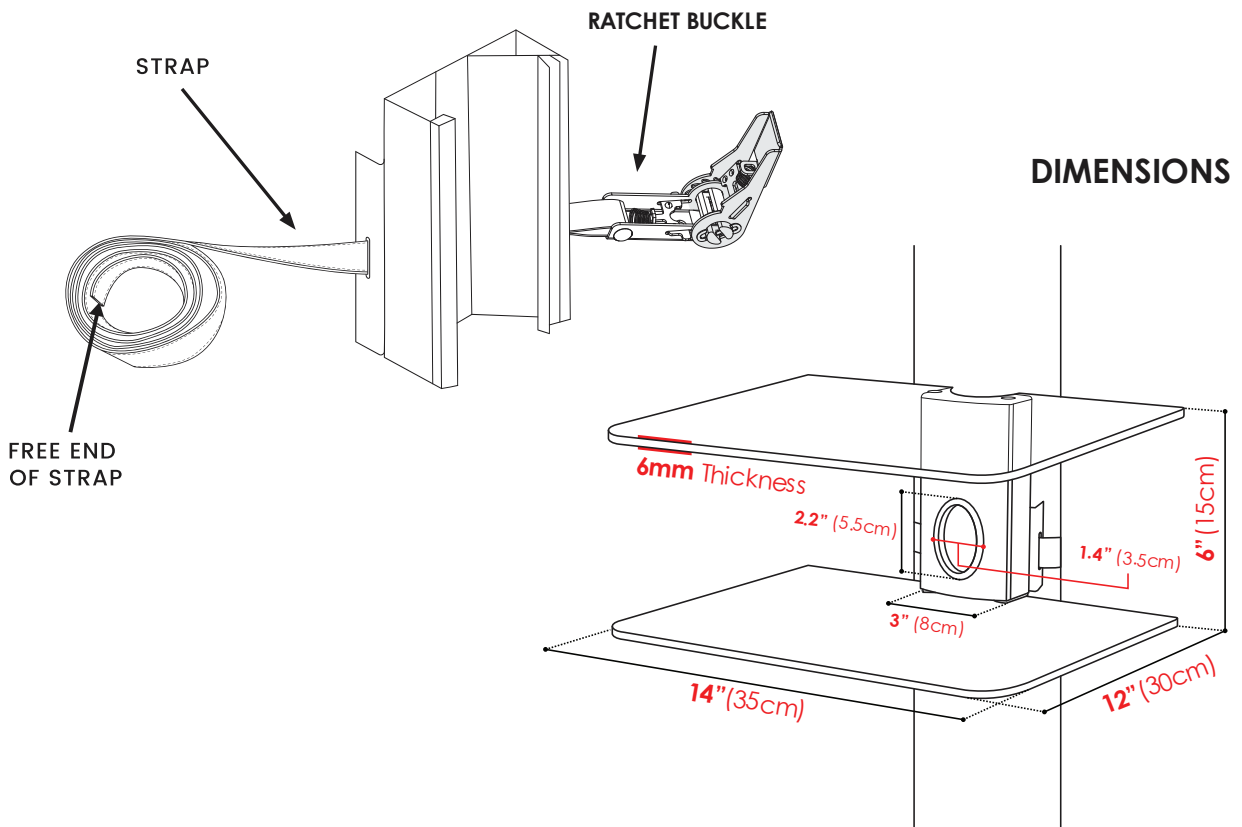


Never install the mount if parts are missing or damaged.



Do not use this product for any configuration not explicitly specified in this instruction. We hereby disclaim any and all liability for injury or damage arising from incorrect assembly, incorrect mounting, or incorrect use of this product.

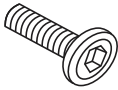
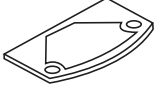

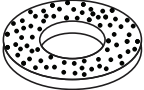
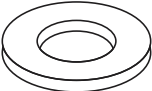

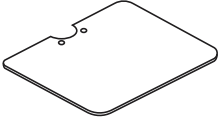
PRODUCT PREVIEW



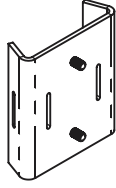
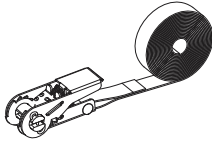
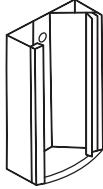

Max Capacity:
40 lbs (18 Kgs)

PARTS AND HARDWARE

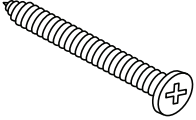
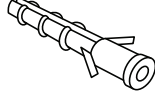
SHELF HARDWARE

A		Shelf Screw x4
C		Top & Bottom Pads x2
D		Allen Key x1
E		Plastics Washer x4
F		Metal Washer x4
G		Front Cover x1
H		Glass Shelve x2

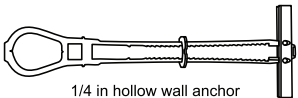

HARDWARE FOR MOUNTING ON PILLARS

B(i)	 Column Adapter x1
B(ii)	 Ratchet Strap x1
B(iii)	 Shelf Backbone x1
B(iv)	 Flange Nuts x2

HARDWARE FOR MOUNTING ON CONCRETE/BRICK AND WOOD STUDS

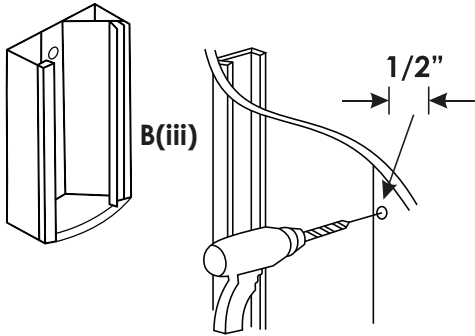
I	 Screws x2	J	 Wall Plugs x2
---	---	---	--

HARDWARE FOR MOUNTING ON DRYWALL

K	 Elephant anchors x2 <small>1/4 in hollow wall anchor</small>	L	 1/4-20 screws x2
---	---	---	---

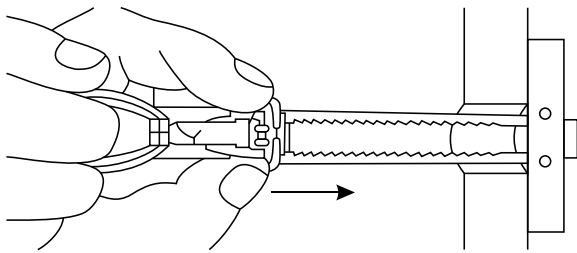
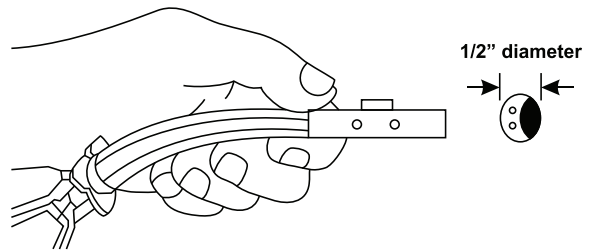
WALL MOUNTING

A. MOUNTING SHELF TO DRYWALL



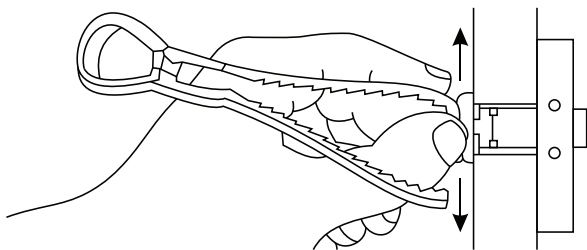
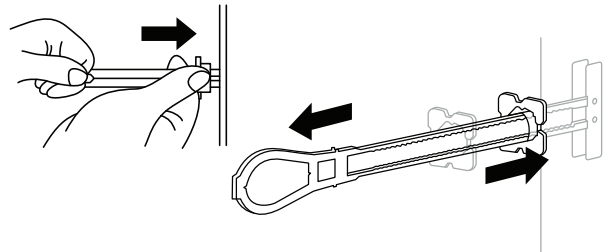
1. Place Shelf backbone **B(iii)** on the wall and mark the 2 holes. Drill holes to a depth of 1/2 in. (13mm), using a 1/2 in. (13mm) diameter drill bit.

2. Insert elephant anchors by folding metal channel until it is flat with the plastic straps. Slide the metal channel into the drilled hole.



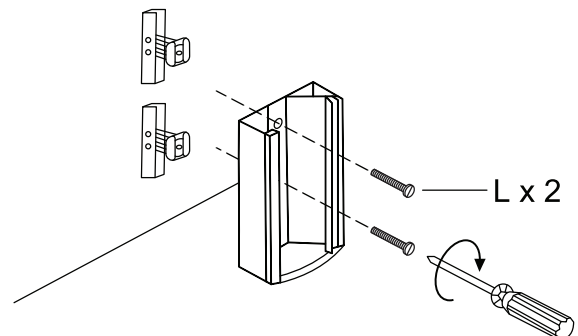
3. Hold the plastic straps by the end and pull towards you until the metal channel is flush behind the wall.

4. Hold ends of straps together between thumb & four finger and pull toward you until channel rests behind wall.



5. Place thumb between plastic straps. Push side to side, snapping off straps at wall.

6. Place item **(Bii)** over flange. Insert bolt (L) through item **(Bii)** and tighten until flush against wall, then stop.

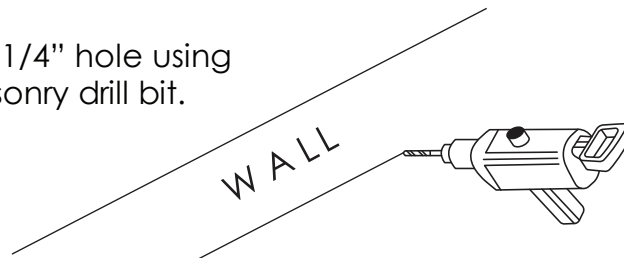


PROCEED TO SHELF INSTALLATION ON PAGE 9

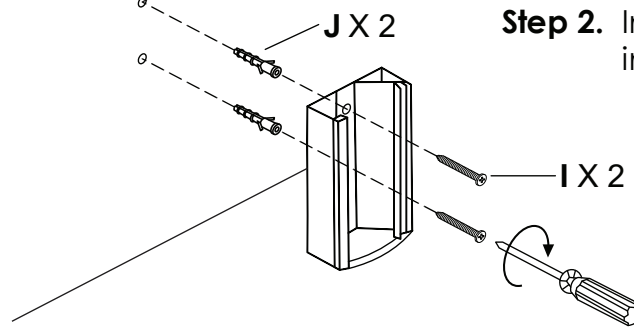
WALL MOUNTING

B. MOUNTING SHELF TO CONCRETE/BRICK

Step 1. Drill 1/4" hole using masonry drill bit.



Step 2. Insert Wall Plug J into the 1/4" hole.



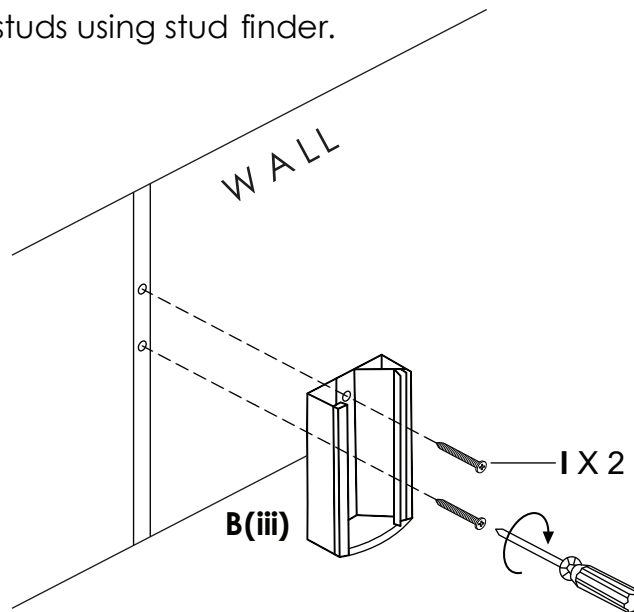
Step 3. Place shelf backbone **B(iii)** on wall and attach using screws **I**.

PROCEED TO SHELF INSTALLATION ON PAGE 9

WALL MOUNTING

C. MOUNTING SHELF TO WOOD STUDS

Step 1. Find wood studs using stud finder.

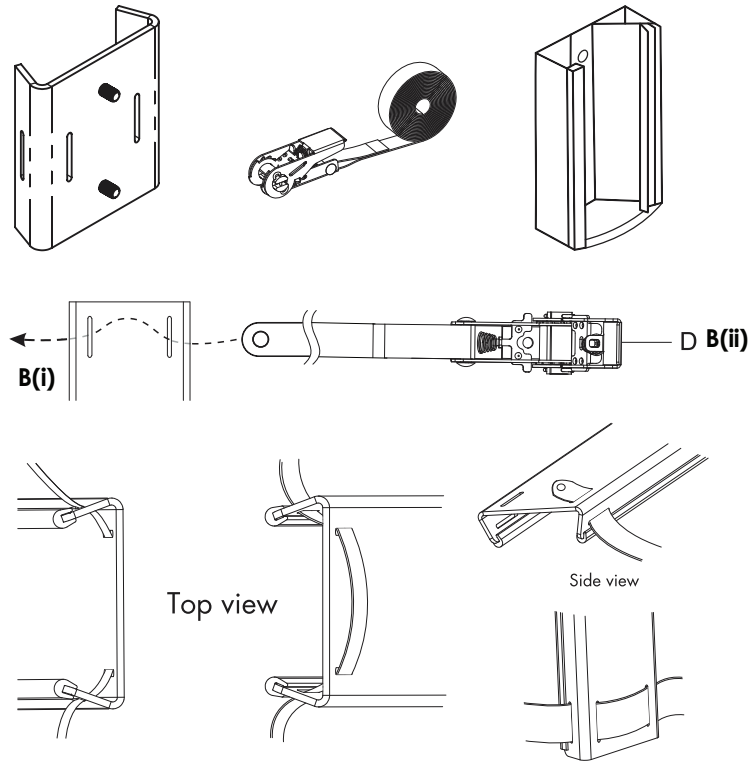


Step 2. Place shelf backbone **B(iii)** on wall and attach using screws **I**.

PROCEED TO SHELF INSTALLATION ON PAGE 9

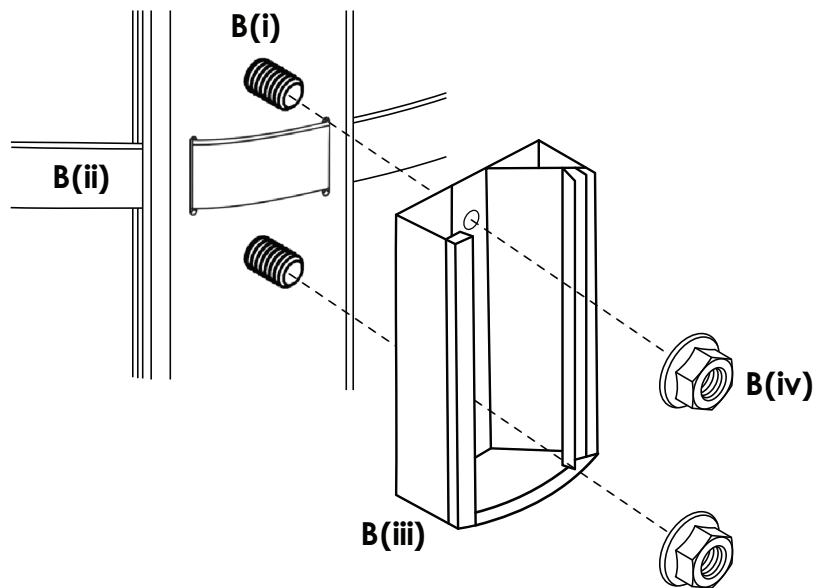
PILLAR MOUNTING

1. INSERT STRAP INTO COLUMN MOUNTING ADAPTER



PILLAR MOUNTING

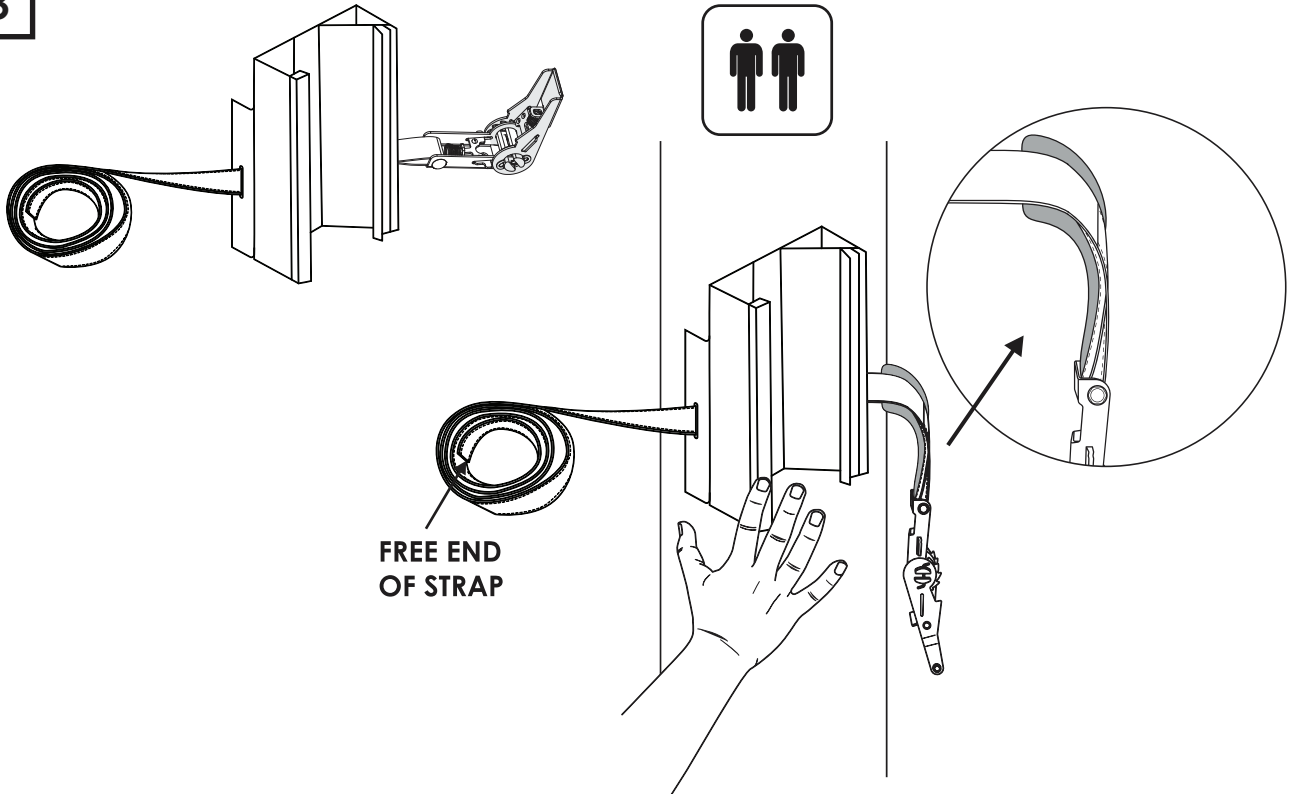
2. SCREW IN THE FLANGE TO ATTACH



PILLAR MOUNTING

3

TWO PEOPLE

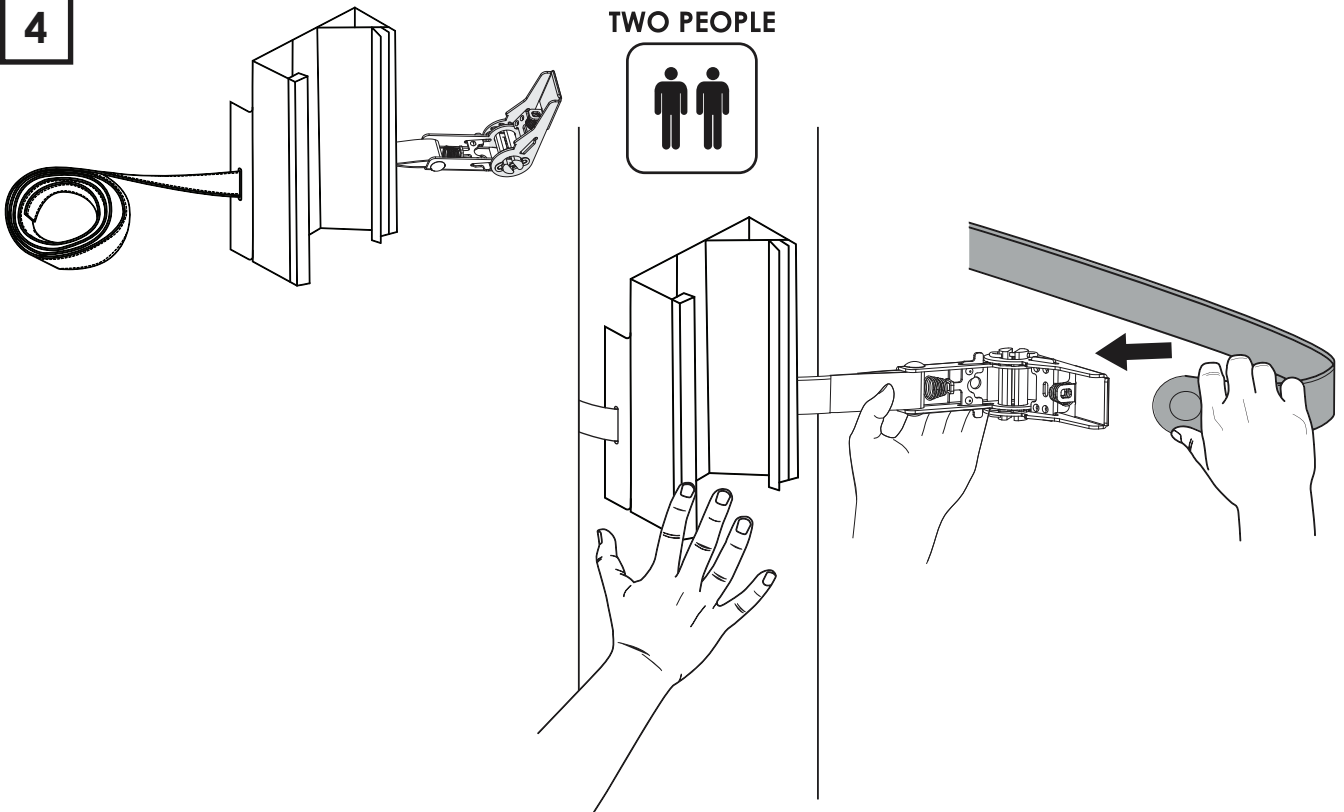


Hold column mounting bracket to the column where you would like to mount the shelf

PILLAR MOUNTING

4

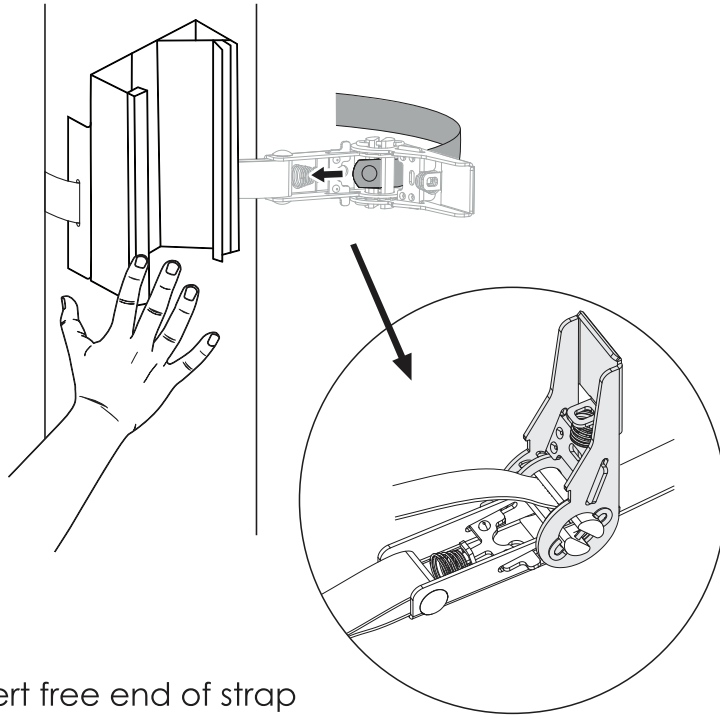
TWO PEOPLE



Ask a second person to wrap the strap around the column

PILLAR MOUNTING

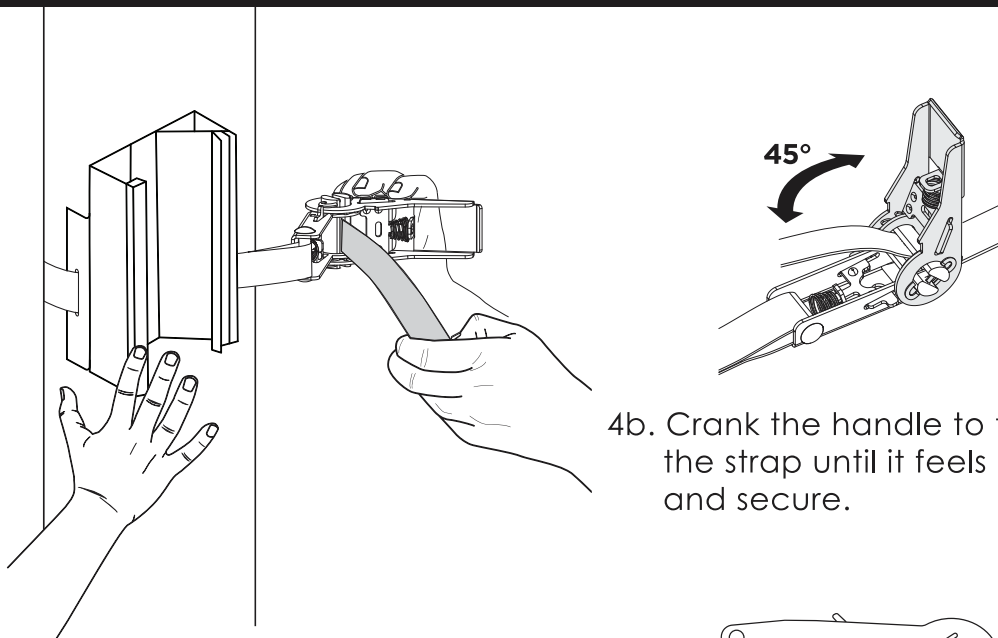
5



Person #2 should insert free end of strap into the slot of the ratchet buckle

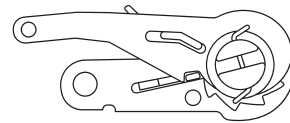
PILLAR MOUNTING

6



4a. Bring the ratchet buckle snug to the column and pull the strap tight.

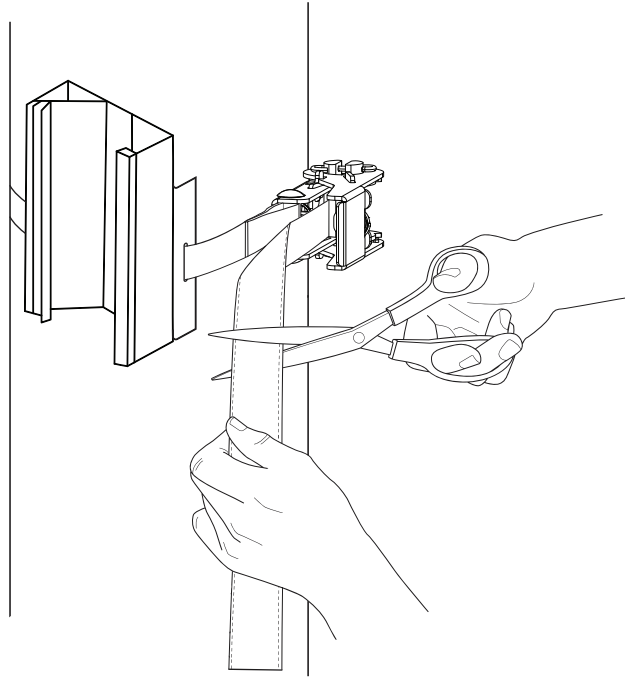
4b. Crank the handle to tighten the strap until it feels taut and secure.



4c. Close the buckle to lock it.

PILLAR MOUNTING

7

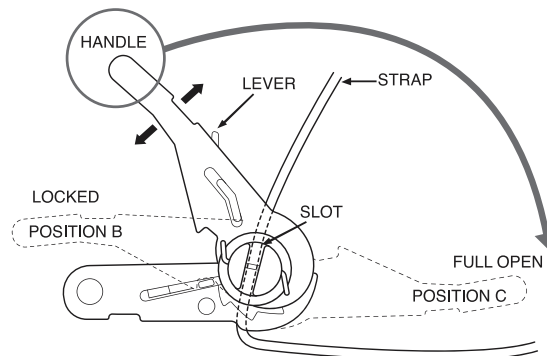


Cut access strap or fold and tuck away.

TO MAKE ADJUSTMENTS AFTER INSTALLATION

Shelf too high? Too low? Not centered? No problem!

HOW TO ADJUST THE POSITION OF THE COLUMN MOUNTING BRACKET



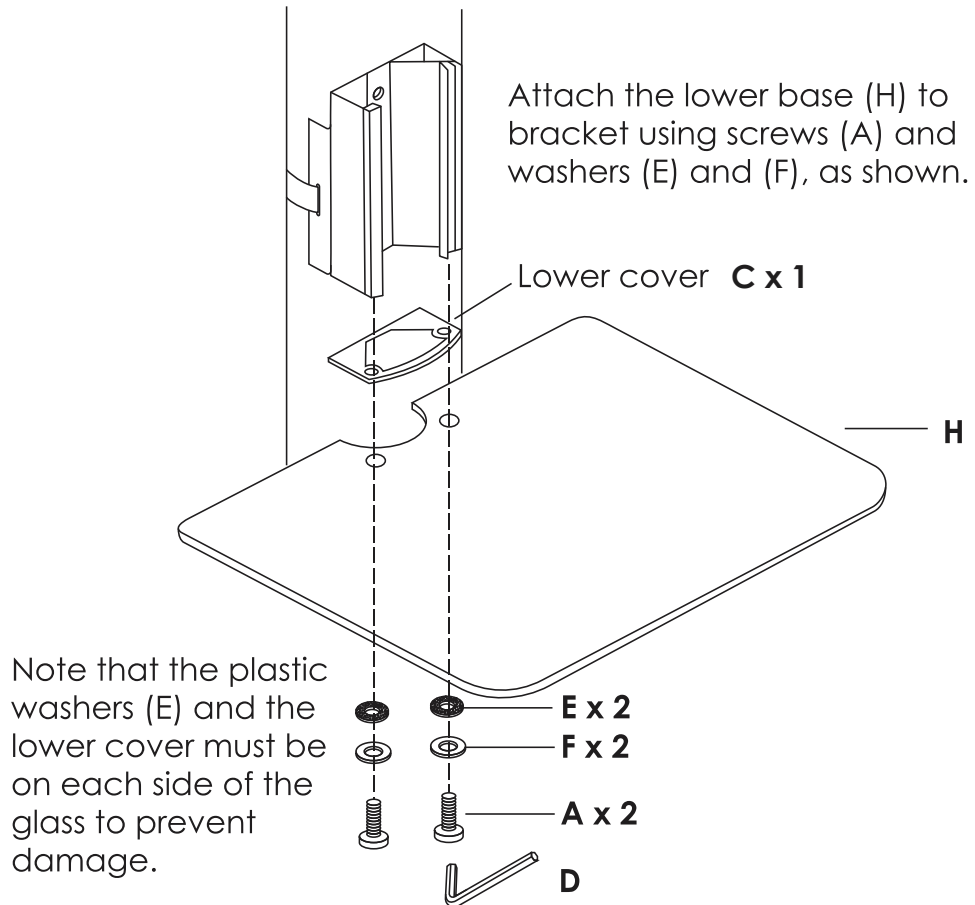
CAUTION:

Do not adjust the column mounting bracket while the Shelf is mounted

- To release the strap pull, and hold the lever towards the handle, then rotate the handle all the way to position C.
- Move your column mounting bracket to the new desired position and tighten.

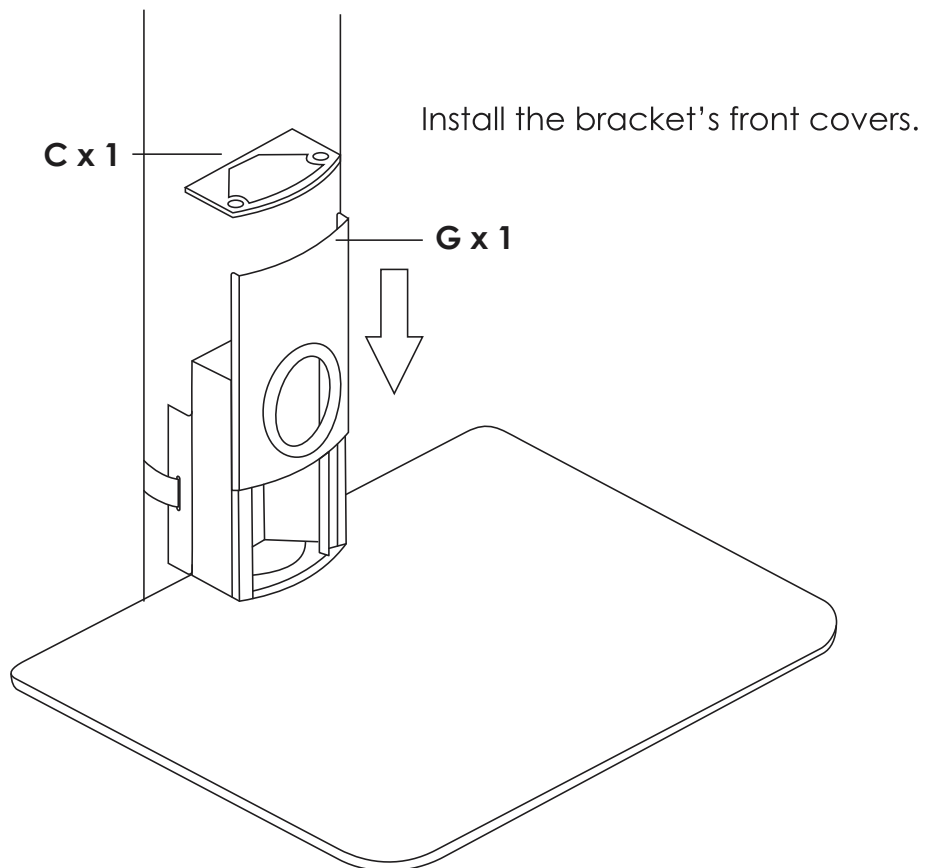
STEP 2 : SHELF INSTALLATION

2.1



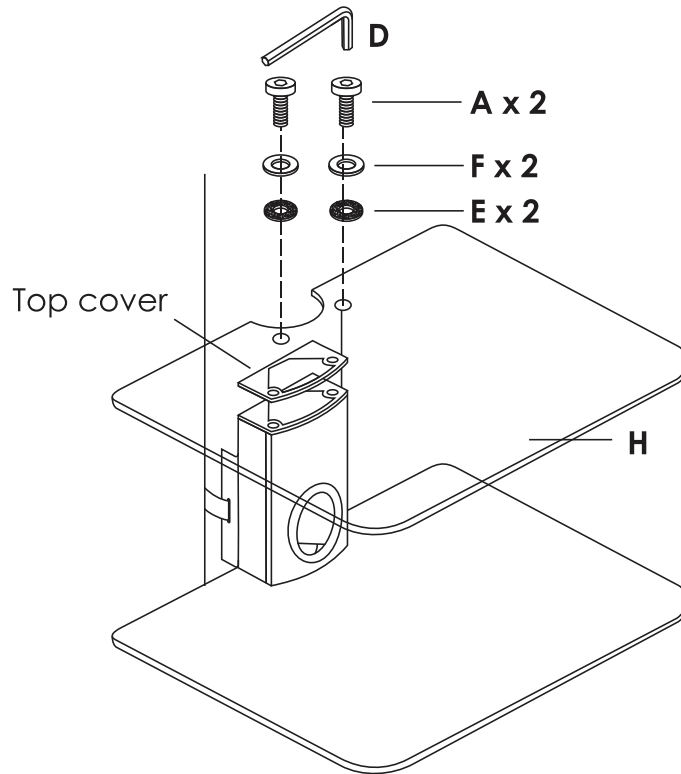
STEP 2 : SHELF INSTALLATION

2.2



STEP 2 : SHELF INSTALLATION

2.3



Attach the upper base (H) to the bracket in the same way of the lower one.

MANAGE CABLES

