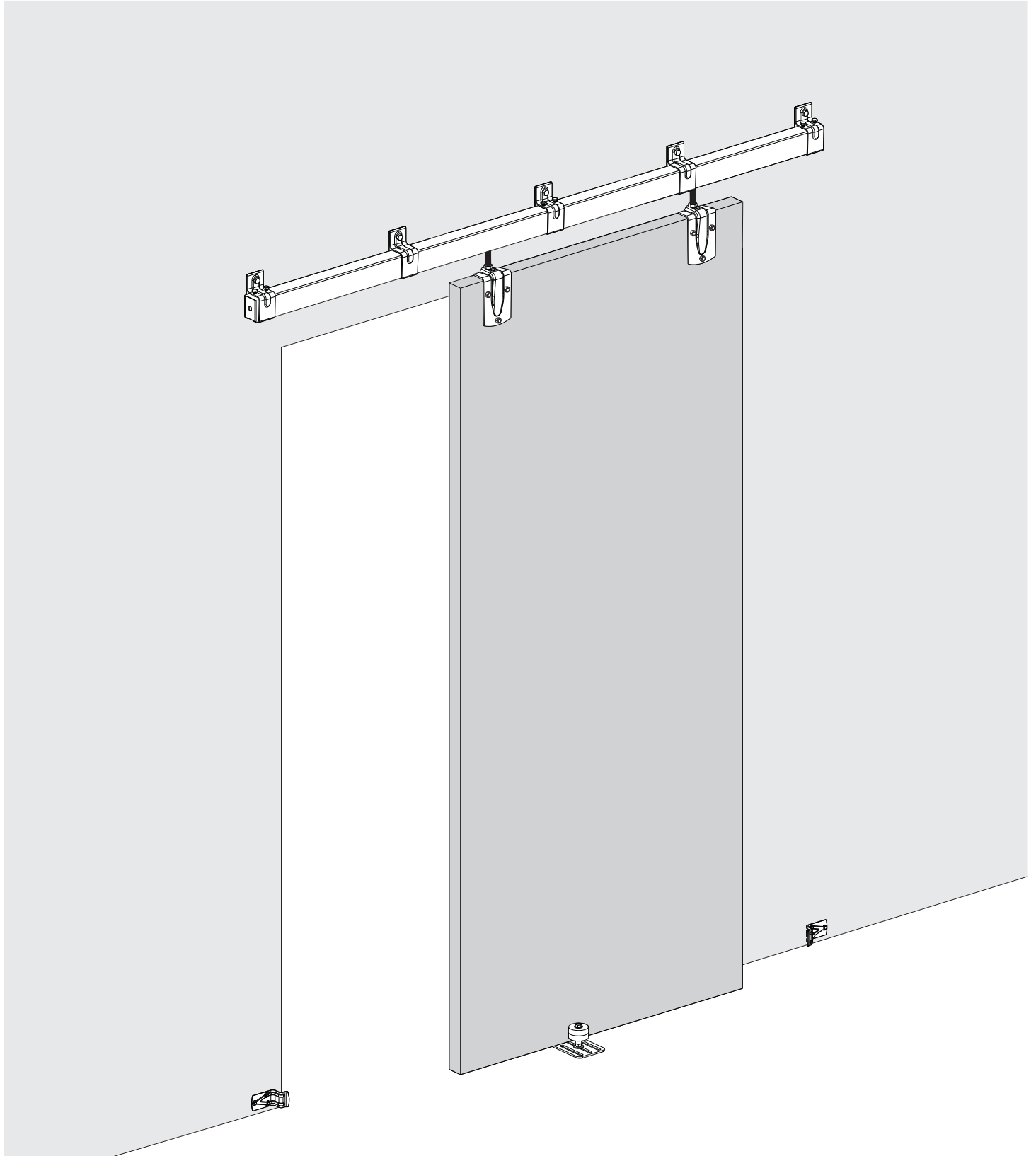
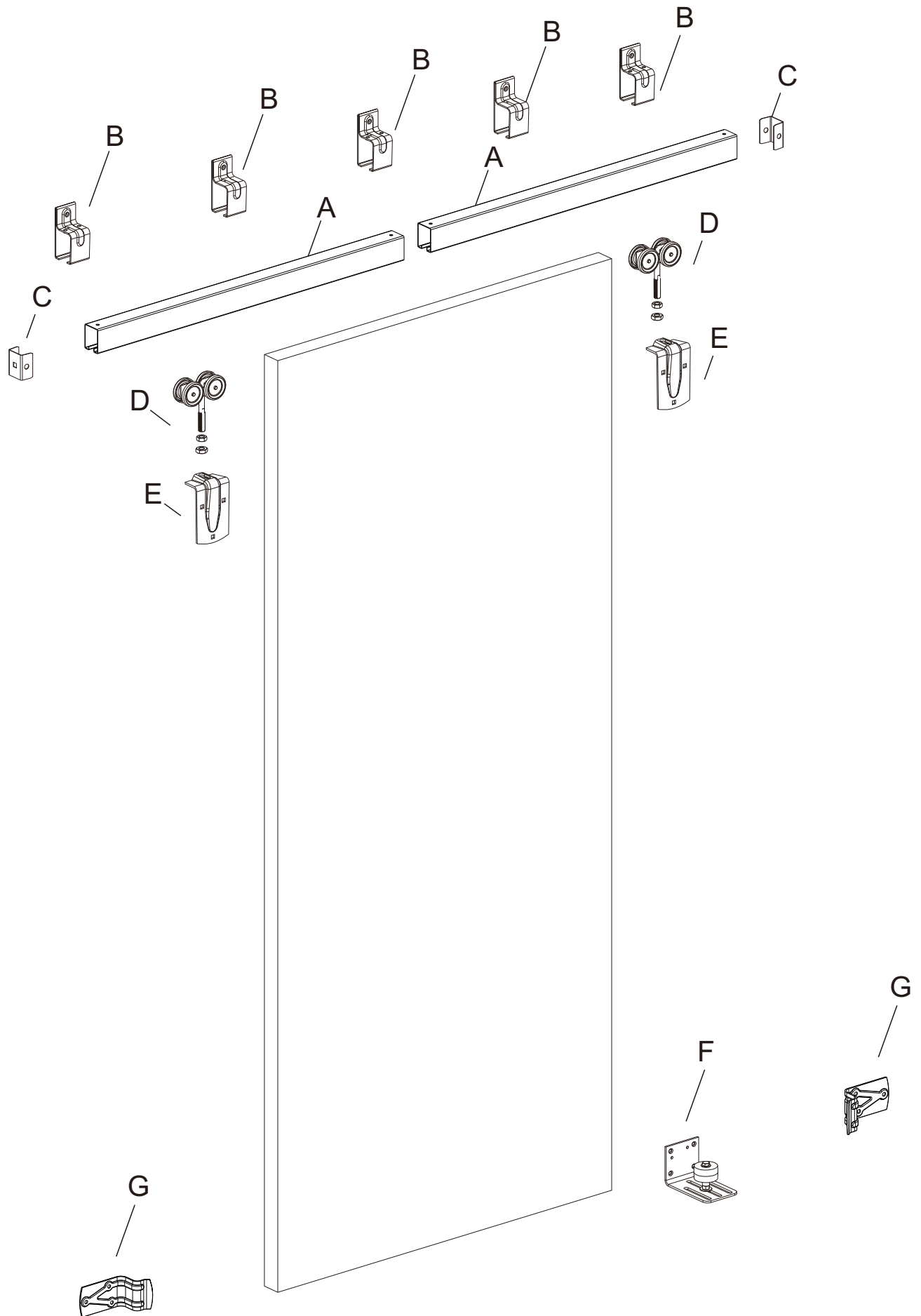


For door 1-3/8" (35mm) to 1-3/4" (45mm)
Up to 450lbs (204kg) per panel

Installation Manual

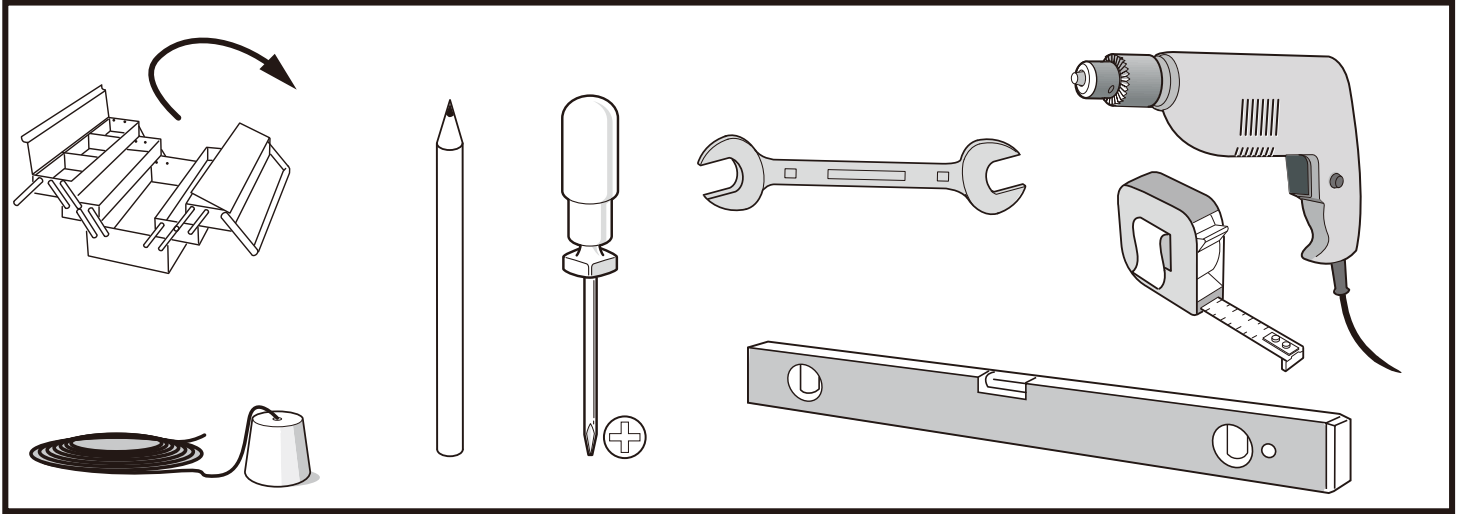


Components list

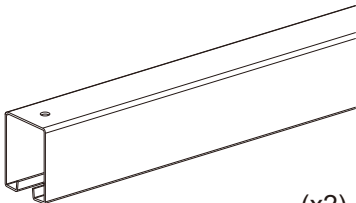
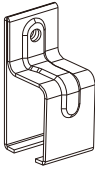
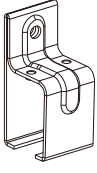
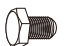
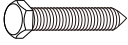
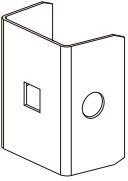
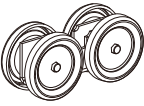



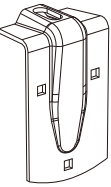


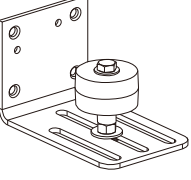

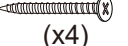
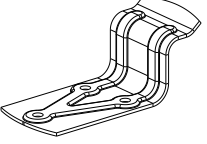



Pre -installation

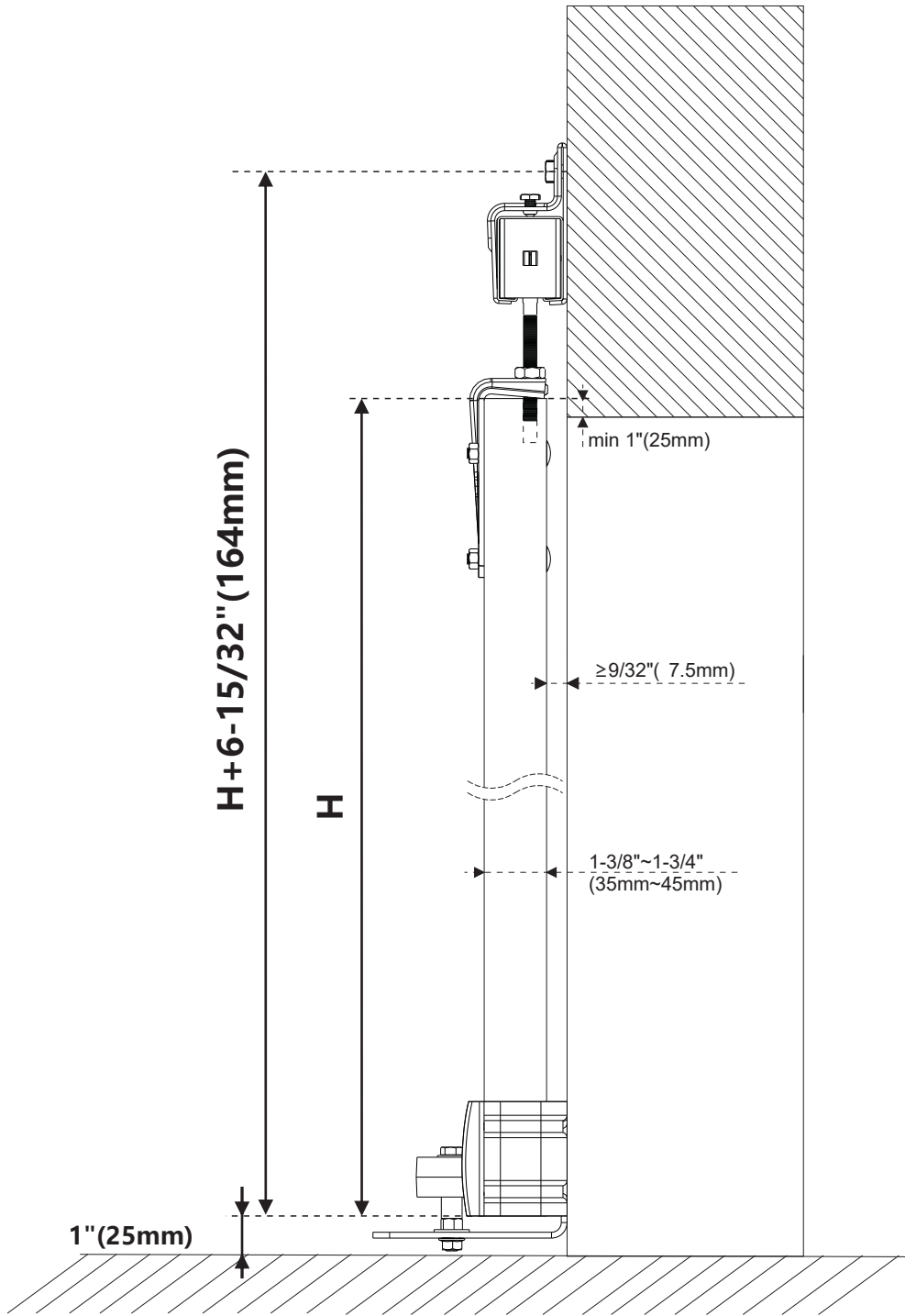
TOOLS REQUIRED

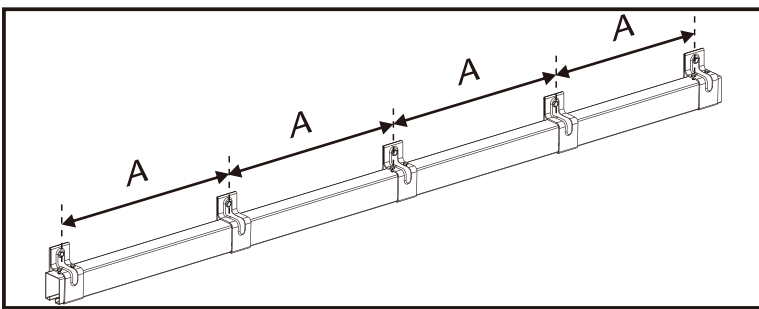
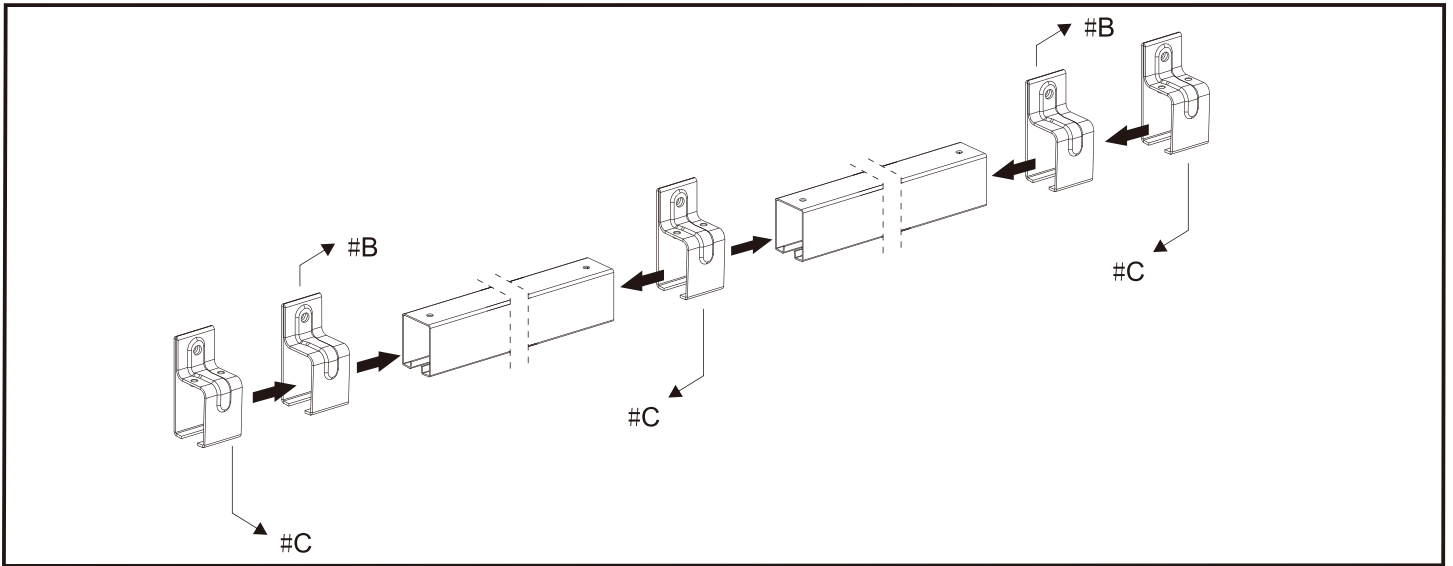


HARDWARE INCLUDED

A  (x2)	B  #B(x2)  #C(x3)  (x6)  (x 5)	C  (x2)
D  (x2)  4.5"(x2)  3/4"(x2)  7/8"(x2)	E  (x2)  (x6)  (x6)	F  (x1)  (x4)  (x4)
G  (x2)  (x6)		

Section drawing

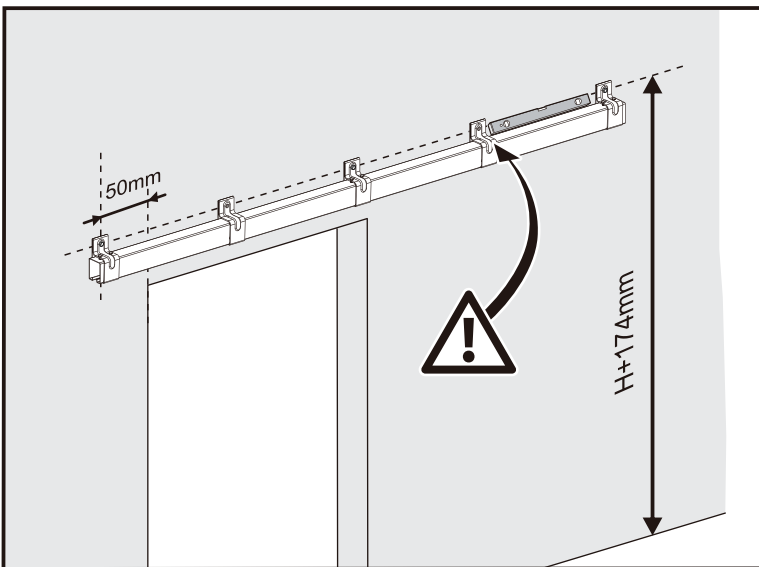




STEP 1

Slide Brackets #B and #C onto Box Rail and loosely position into place so that weight is evenly distributed.

NOTE: Brackets #C should be located at the edge of rail.

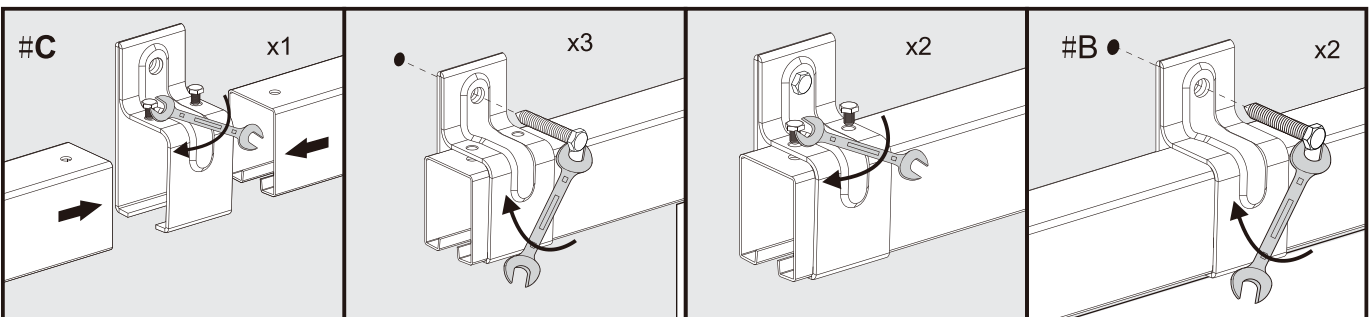


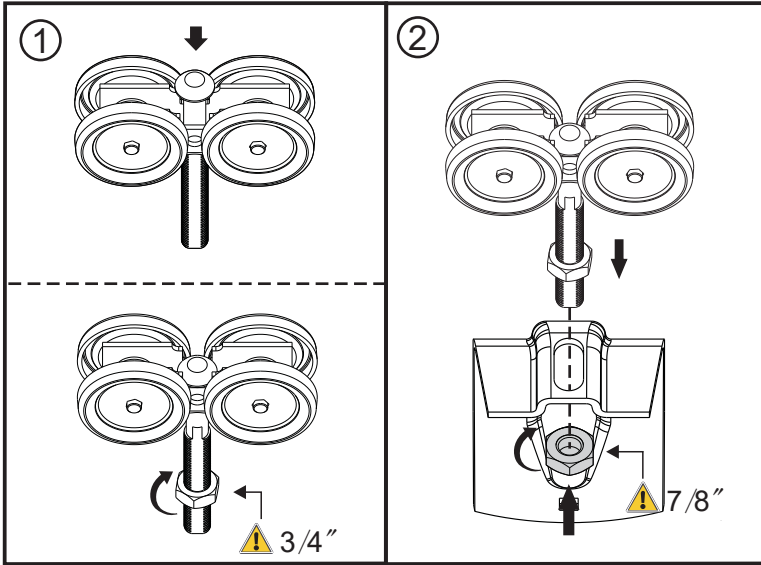
STEP 2

1. Mark screw hole locations.

2. Position Brackets into marked place and fasten into studs with #5/16 in diameter lag screws.

NOTE: Be sure to align markings in a level before drilling. One bracket should be installed every 2 feet (610mm) of rail.

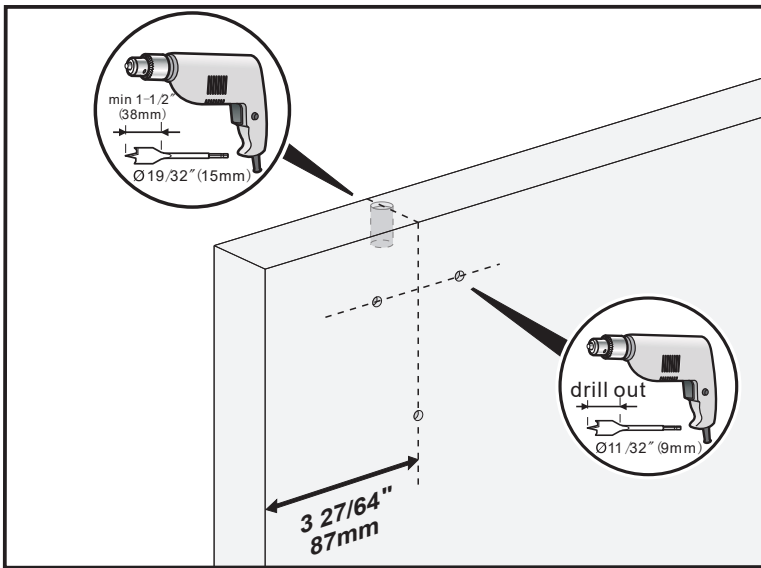




STEP 3

Assemble Hanger and Strap.

1. Slide Connector Bolt through center hole of hanger, attach #3/4 in Hex Nut and tighten.
2. Insert Door Strap and secure into place with #7/8 in Hex Nut.
3. Repeat for another Hanger.



STEP 4

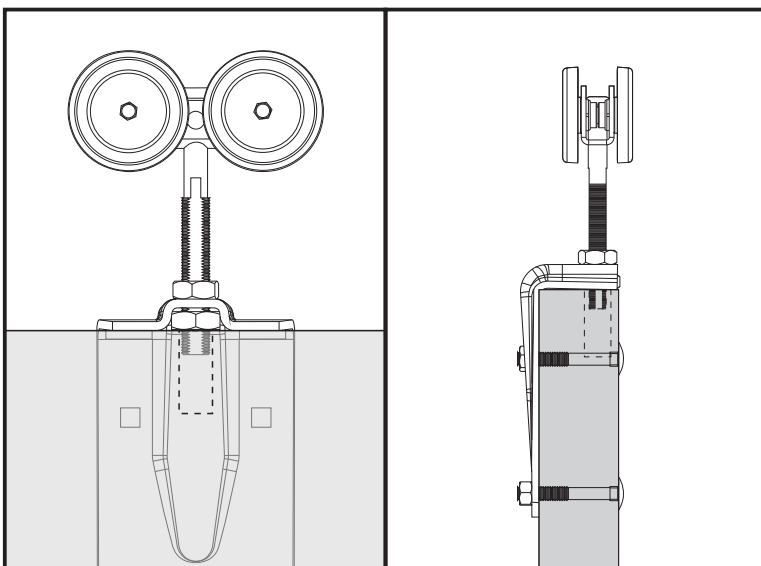
1. Place assembled hangers on door and position to distribute door weight evenly, minimum 3 27/64 in (87mm) from edge of door.

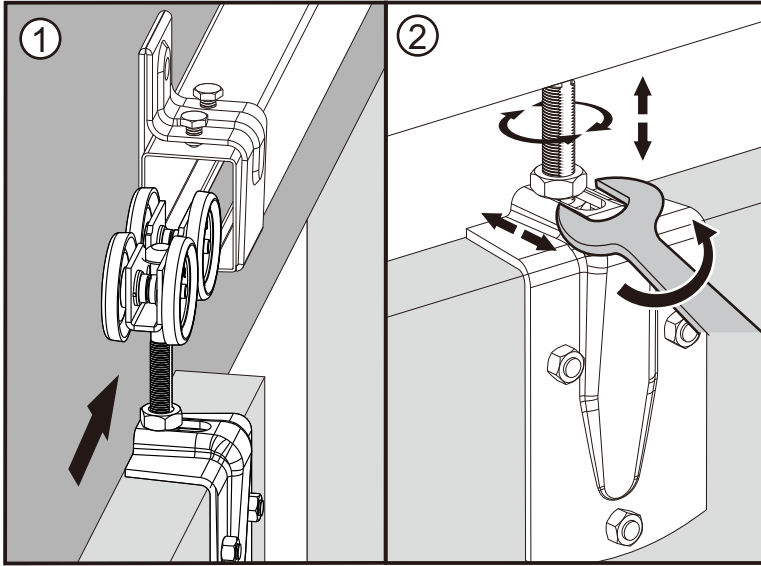
2. Drill 19/32 in (15mm) hole at top of barn door for 1/2 x 4 1/2 in Connector Bolt, insert excess threading into drilled hole and have it flush against top of door.

3. Use Strap as template, mark and drill holes for #5/16 screw bolts. Use 5/16 x 2 1/4 in screw bolts and 5/16 in Hex Nut to secure barn door to Door Straps.

NOTE: Door straps mount on outside of barn door and bolt heads must be on inside of door.

It is recommend to use no more than two hangers per door.



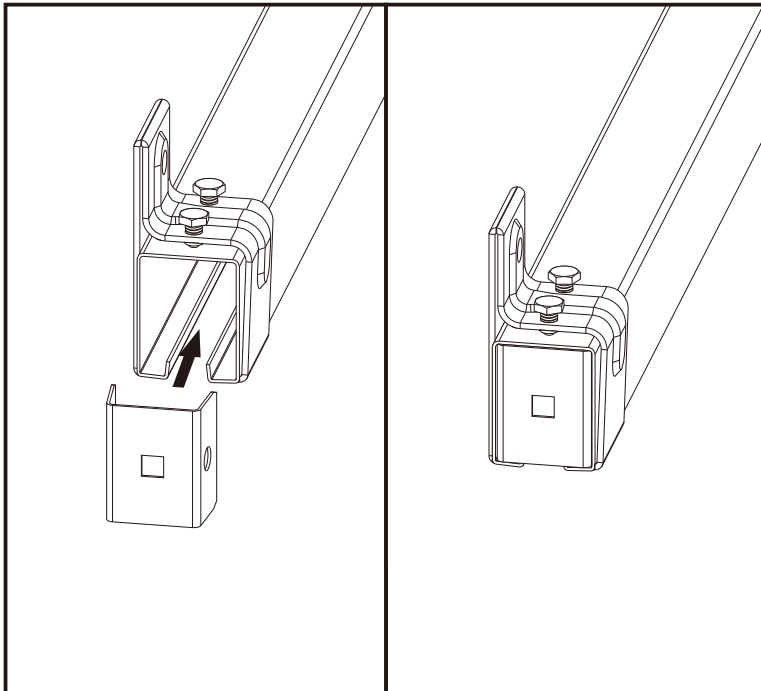


STEP 5

1. Slide Hangers into Box Rail.

2. Adjustments. Vertical adjustments are made by turning the Hex Nut on the top of Door Strap with a wrench.

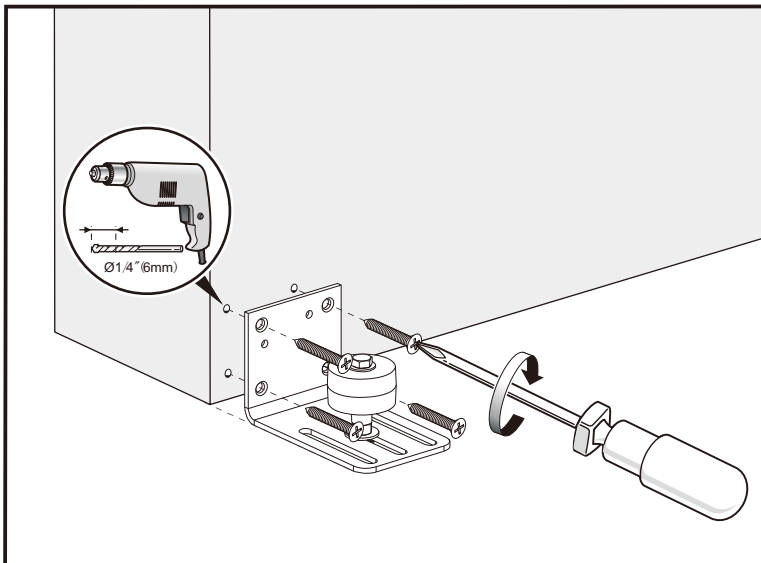
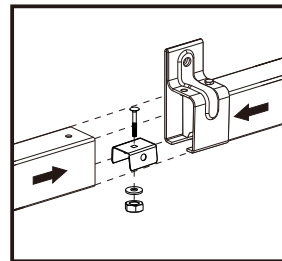
Lateral adjustments are made with slot in Door Strap.



STEP 6

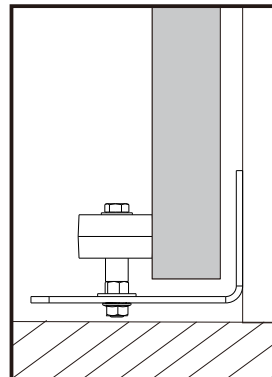
After door is hung, insert both End Caps into end of Box Rail for single rail application.

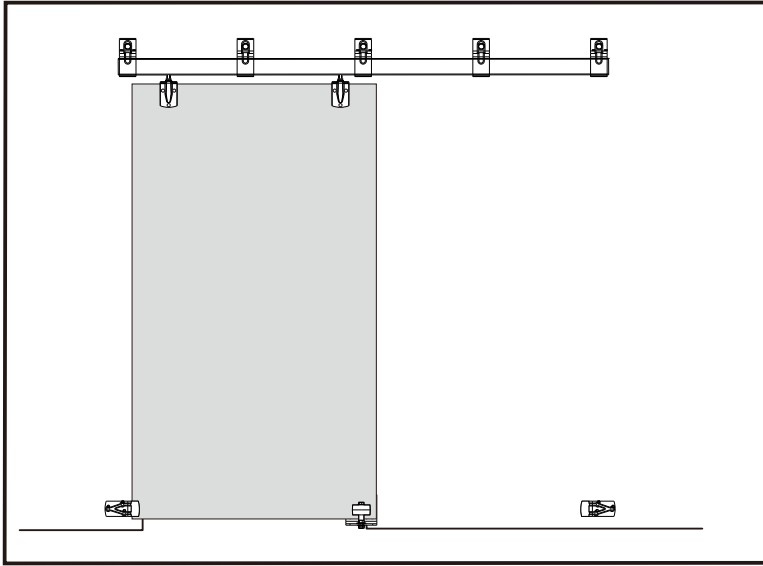
End Caps can also be used as center stops with 3/8 in x 2 in carriage bolts (not included) for multiple rail application.



STEP 7

Install floor guide.





STEP 8

Install Door Bumper

