

ASSEMBLY INSTRUCTION

Thank you for purchasing this quality product. Be sure to check all packing material carefully for small parts which may have come loose inside the carton during shipment. Separate, identify and count all parts and hardware. Compare with the parts list to be sure all parts are present.

IMPORTANT : PLEASE READ INSTRUCTION BEFORE STARTING THE ASSEMBLY.

"DO NOT TIGHTEN SCREWS UNTIL COMPLETELY ASSEMBLED"

"DO NOT OVERTIGHT ANY HARDWARE"

WARNING : SMALL PARTS AND HARDWARE NOT FOR CHILDREN UNDER 3 YEARS. ADULT ASSEMBLY REQUIRED.

TABLE OF CONTENTS

HARDWARES LIST

PAGE 2 - 3

PARTS LIST

PAGE 4 - 5

PARTS' LOCATION

PAGE 6

ASSEMBLY STEPS

PAGE 7 - 19

ASSEMBLY COMPLETED

PAGE 19

ANTI-TIPPING INSTALLMENT
INSTRUCTIONS

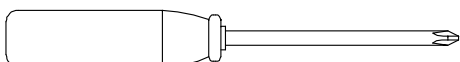
PAGE 20

PAY ATTENTION ITEMS

PAGE 21

ASSEMBLY TOOLS REQUIRED

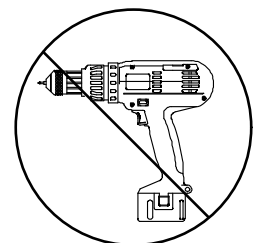
1. Screwdriver (not provide)



2. Hammer (not provide)


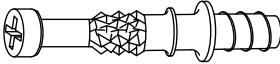

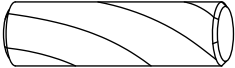
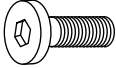
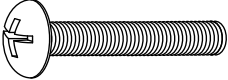
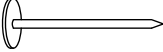
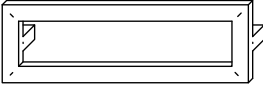
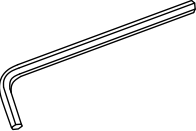


Skip the power drill this time.




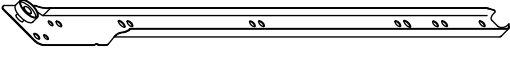
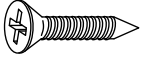

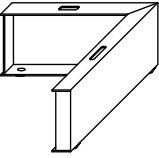
ASSEMBLY INSTRUCTION

HARDWARE LIST

ITEM	DESCRIPTION	DRAWING	QTY
A	MINIFIX CAM LOCK		54 PCS
B	MINIFIX CAM BOLT		54 PCS
C	WOOD DOWEL (M8 x 25MM)		22 PCS
D	WOOD DOWEL (M6 x 25MM)		40 PCS
E	JCBC SCREW M6 x 15MM		8 PCS
I	TRUSS M-SCREW (20MM)		10 PCS
L	6/8" NAIL		14 PCS
M	HANDLE		5 PCS
N	M4 ALLEN KEY (65MM)		1 PC


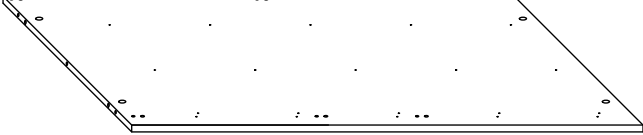
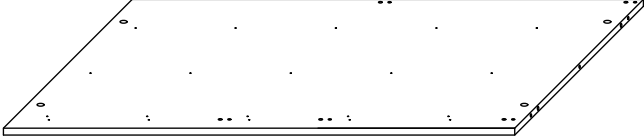
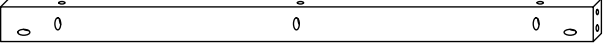


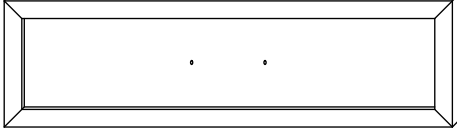


ASSEMBLY INSTRUCTION

HARDWARE LIST

ITEM	DESCRIPTION	DRAWING	QTY
O	LEFT DRAWER SLIDE		5 PCS
P	RIGHT DRAWER SLIDE		5 PCS
Q	CSK SCREW M3 x 10mm		40 PCS
R	PLASTIC STRIP (H SHAPE)		1 PC
S	METAL LEG		4 PCS

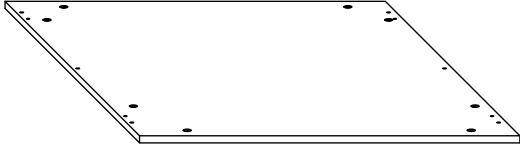
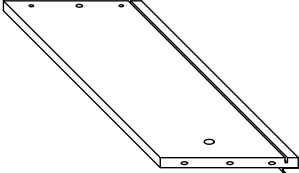
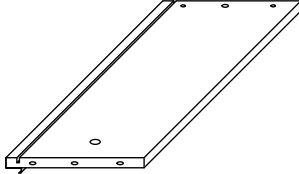
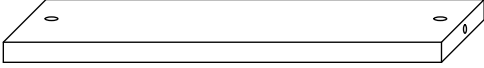
ASSEMBLY INSTRUCTION

PARTS LIST

ITEM	DESCRIPTION	DRAWING	QTY
C1	TOP PANEL		1 PC
C2	LEFT PANEL		1 PC
C3	RIGHT PANEL		1 PC
C4	TOP SUPPORT RAIL		2 PCS
C5	CENTRE SUPPORT RAIL		3 PCS
C7	BACK PANEL		2 PCS
C8	DRAWER HEAD		5 PCS
C9	DRAWER BACK PANEL		5 PCS
C10	DRAWER BOTTOM PANEL		5 PCS

ASSEMBLY INSTRUCTION

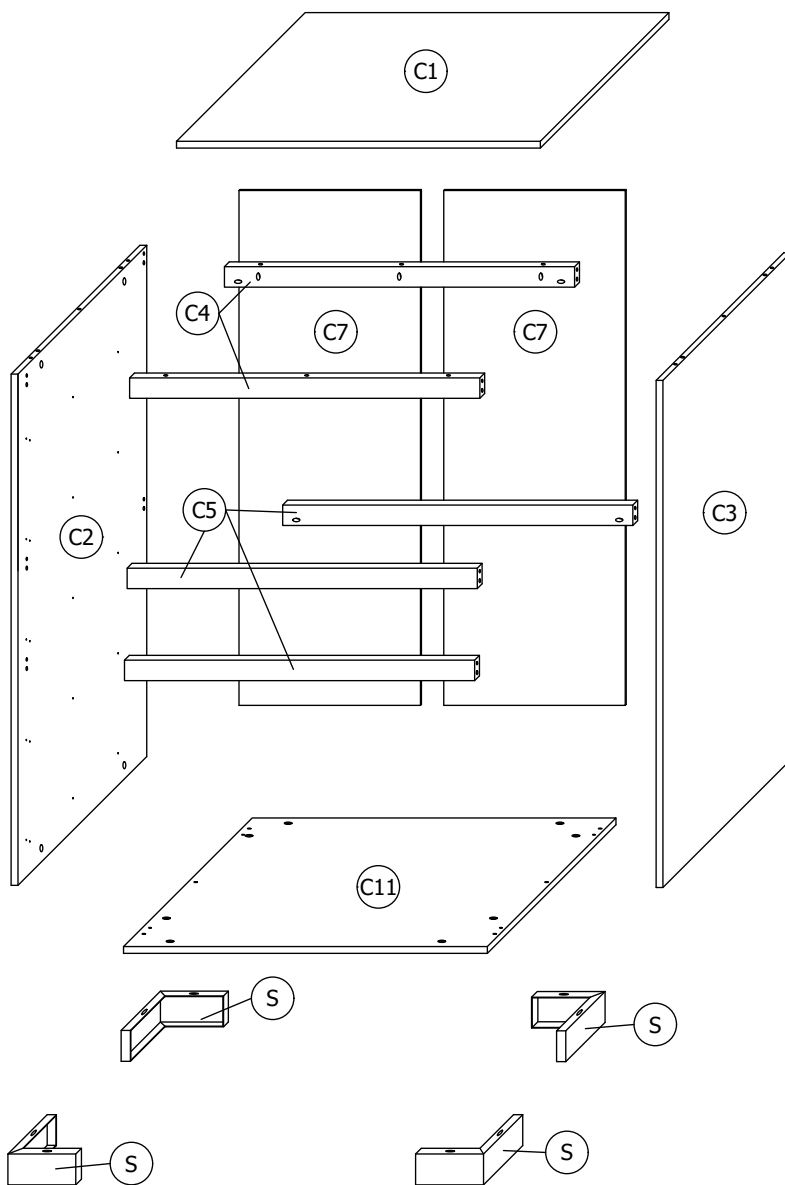
PARTS LIST

ITEM	DESCRIPTION	DRAWING	QTY
C11	BOTTOM PANEL		1 PC
19	DRAWER LEFT PANEL		5 PCS
20	DRAWER RIGHT PANEL		5 PCS
21	DRAWER BOTTOM SUPPORT RAIL		5 PCS

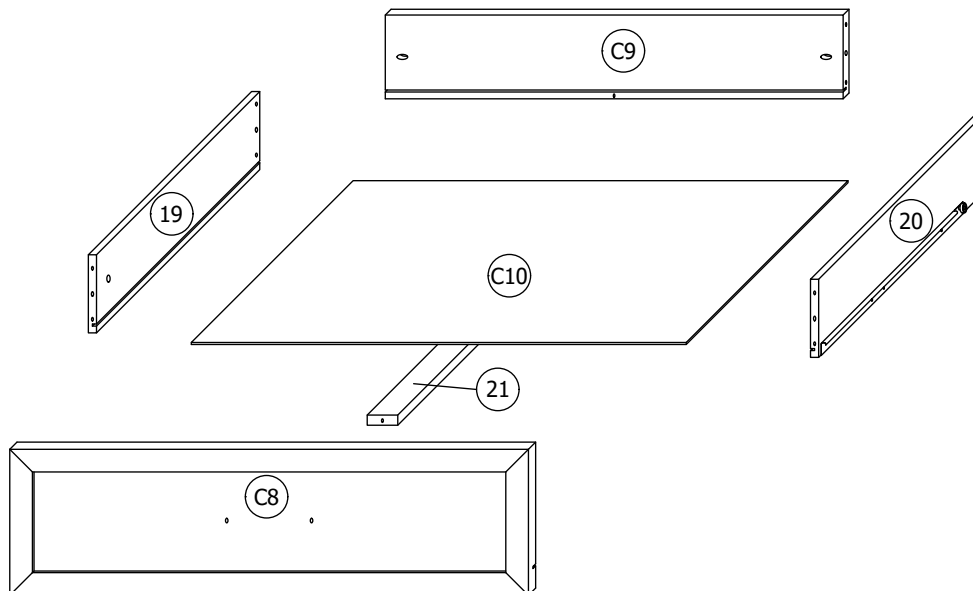
ASSEMBLY INSTRUCTION

PARTS ' LOCATION

CHEST x 1 PC



DRAWER x 5 PCS

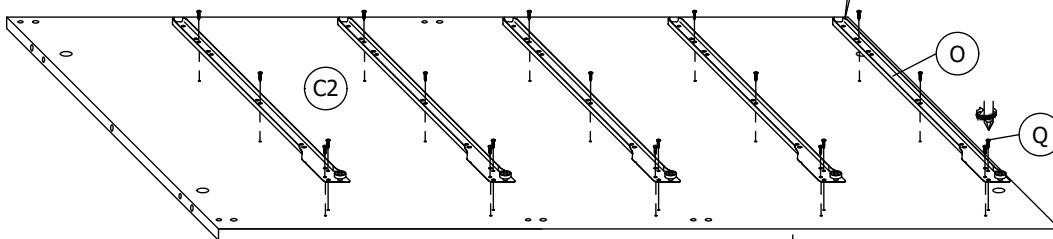
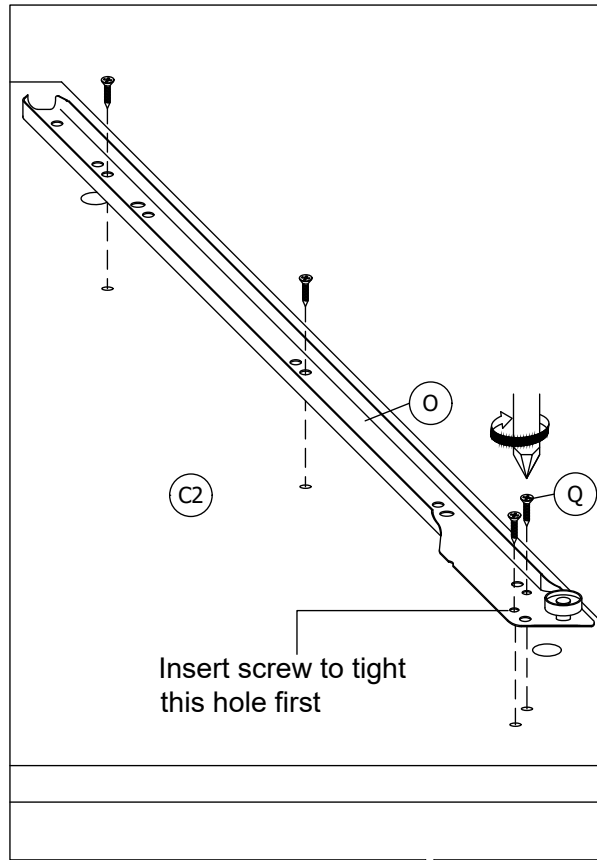


ASSEMBLY INSTRUCTION

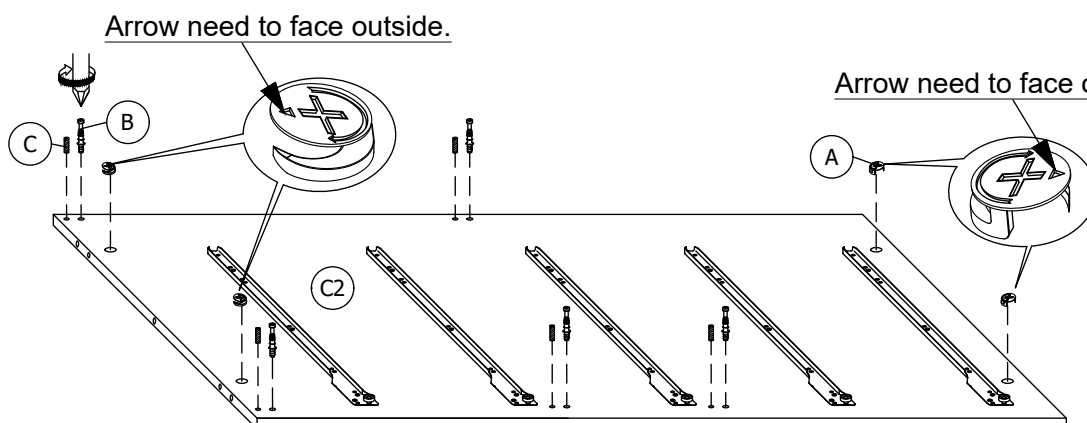
ASSEMBLY STEPS

STEP 1

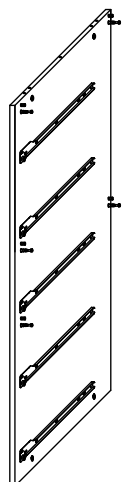
Fix the 5 pieces (O) to the (C2) by using 20 pieces (Q). Then insert 4 pieces (A), 5 pieces (B) and 5 pieces (C) as shown.



Finished edge



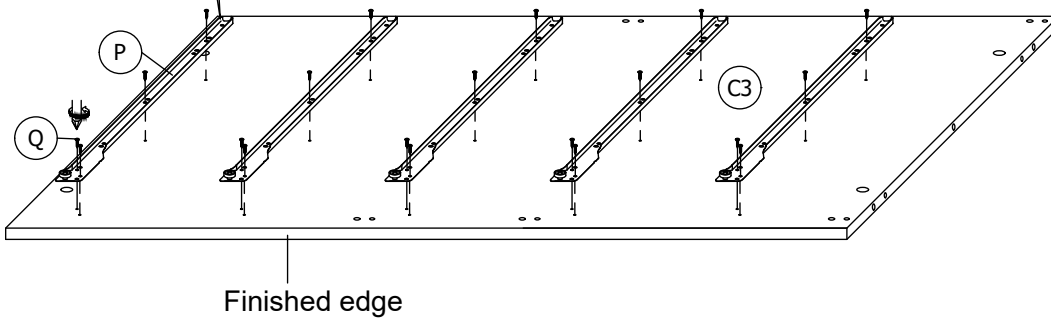
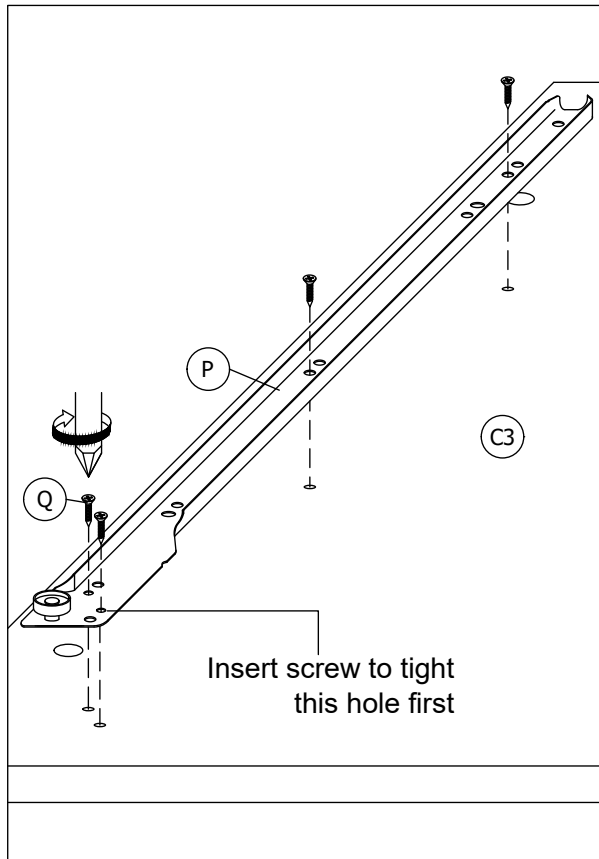
Assembled looks



ASSEMBLY INSTRUCTION

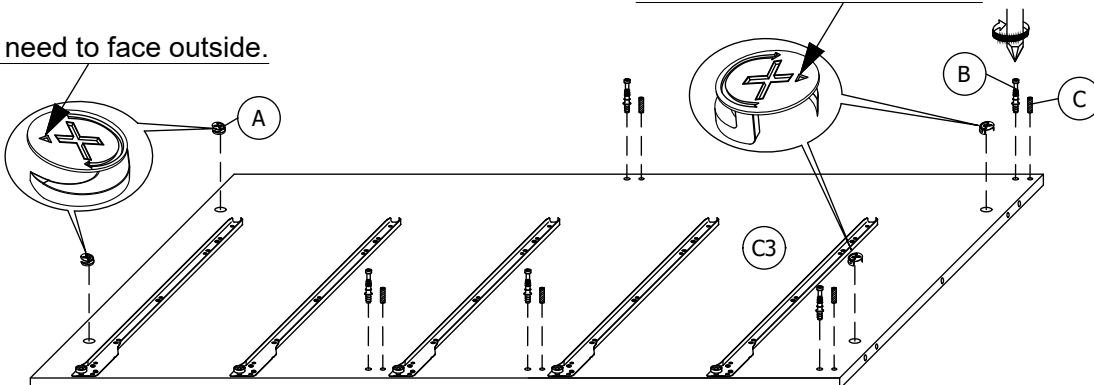
STEP 2

Fix the 5 pieces (P) to the (C3) by using the remaining 20 pieces (Q). Then insert 4 pieces (A), 5 pieces (B) and 5 pieces (C) as shown.

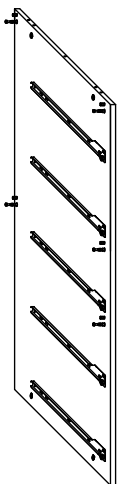


Arrow need to face outside.

Arrow need to face outside.



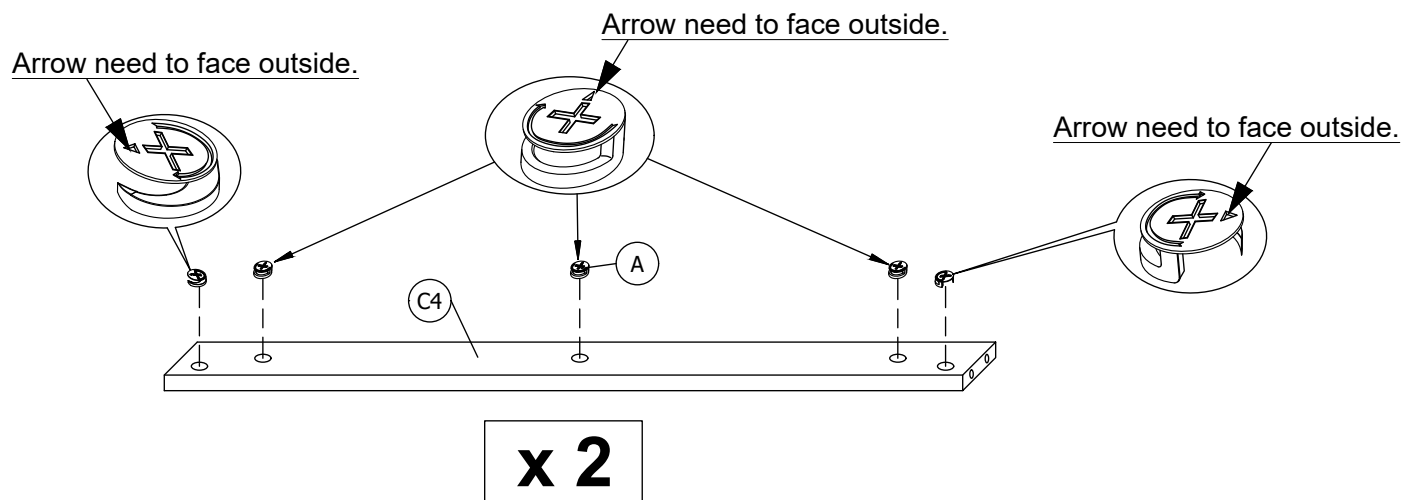
Assembled looks



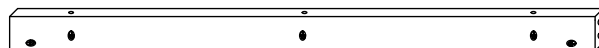
ASSEMBLY INSTRUCTION

STEP 3

Insert 5 pieces (A) to the (C4) as shown.

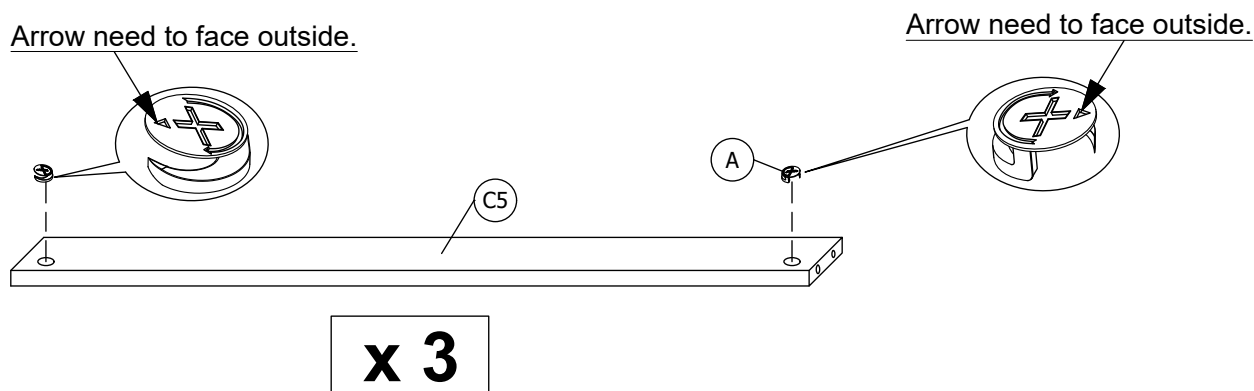


Assembled looks

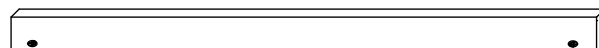


STEP 4

Insert 2 pieces (A) to the (C5) as shown.



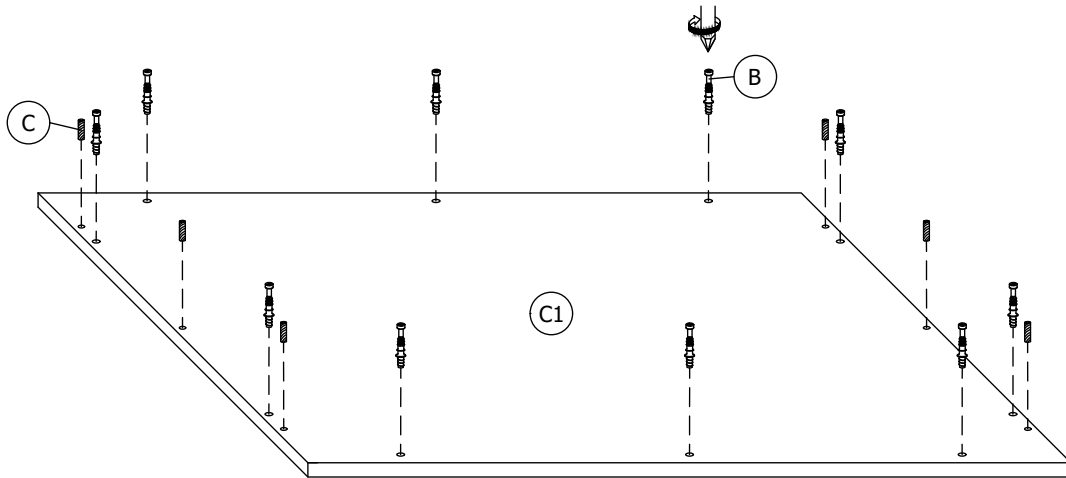
Assembled looks



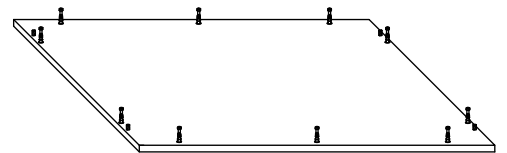
ASSEMBLY INSTRUCTION

STEP 5

Insert 10 pieces (B) and 6 pieces (C) to the (C1) as shown.

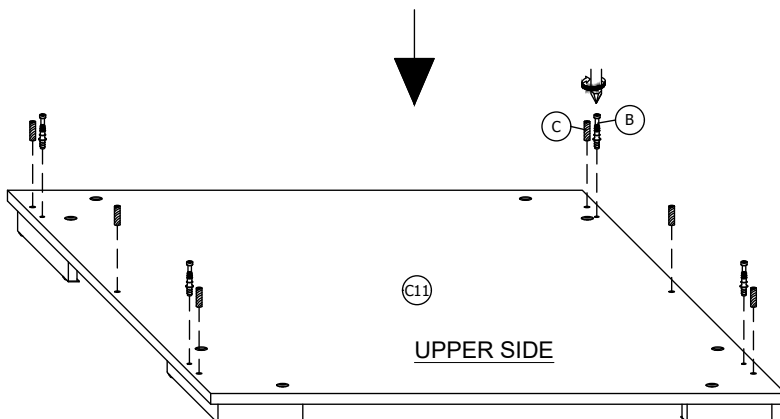
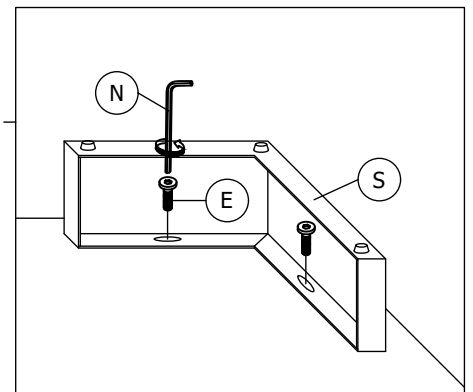
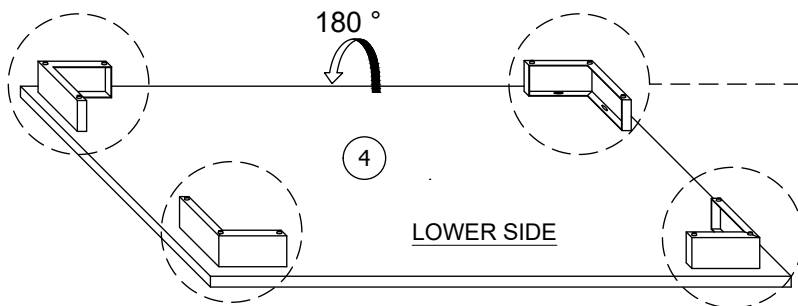


Assembled looks

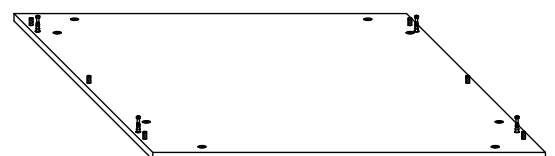


STEP 6

Insert 8 pieces (E) to combine the (S) to the (C11) as shown.
Insert 4 pieces (B) and 6 pieces (C) to the (C11) as shown.



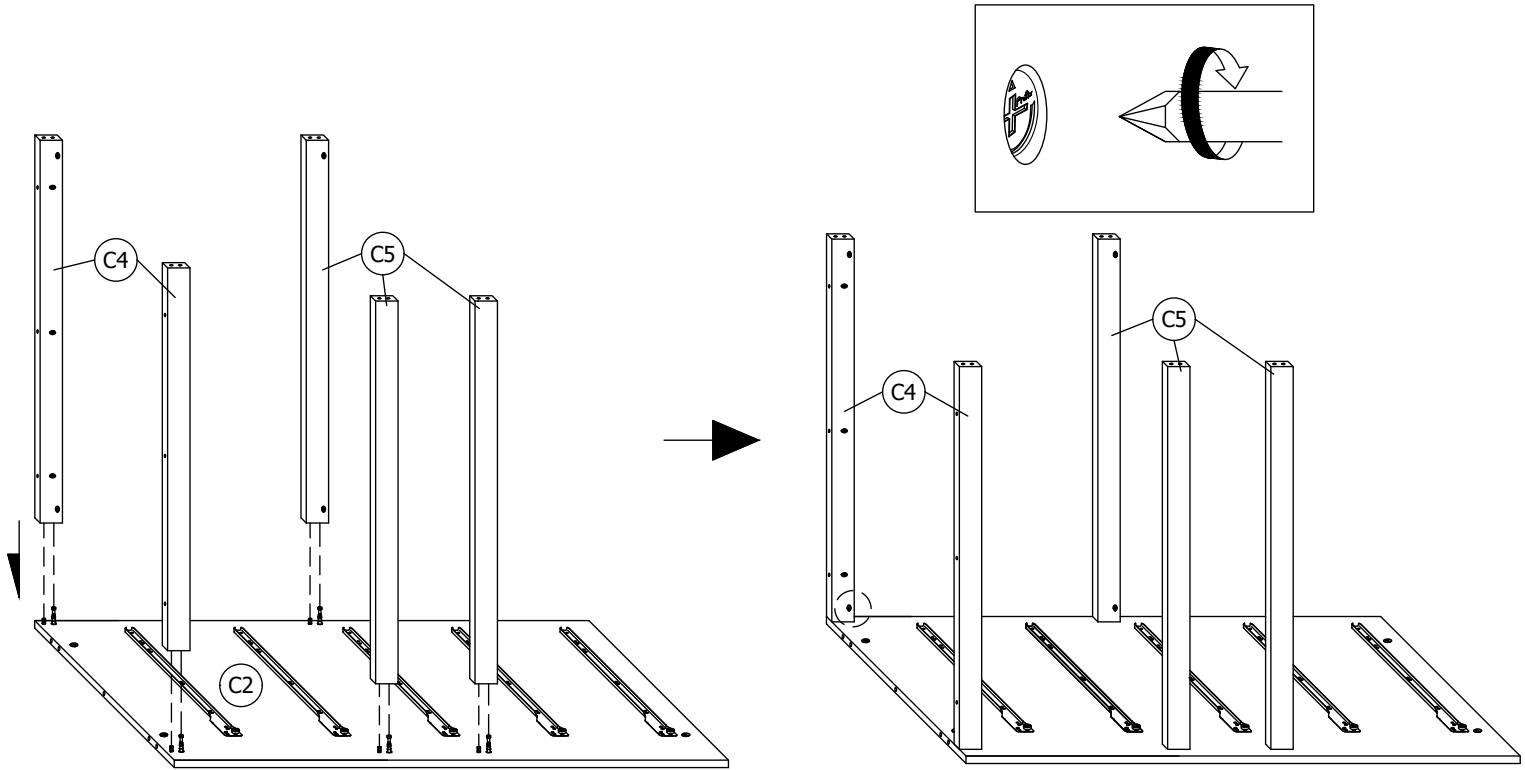
Assembled looks



ASSEMBLY INSTRUCTION

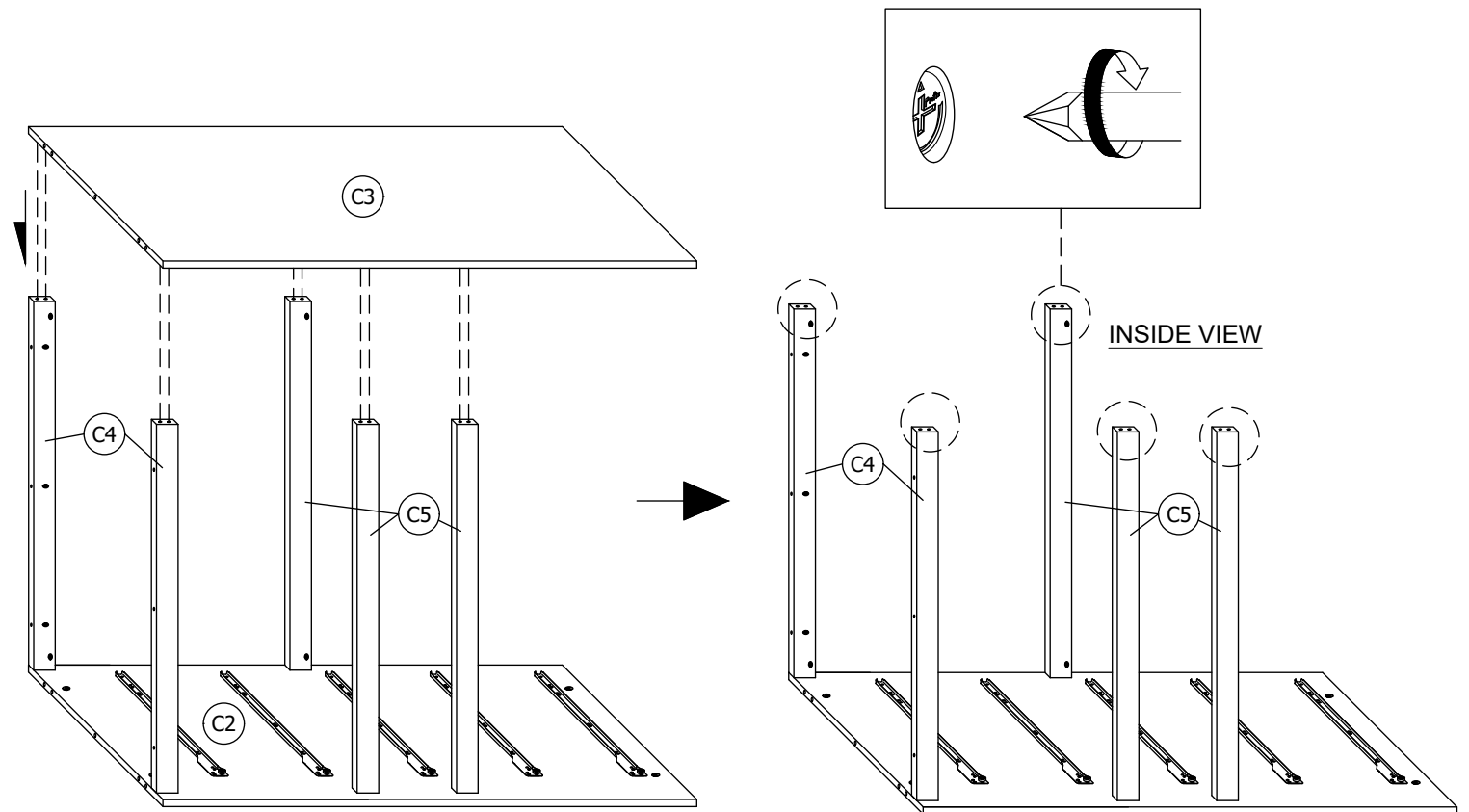
STEP 7

Combine the (C4),(C5) to the (C2) then tighten the 5 pieces (A)-(pre insert in step 3 and 4) as shown.



STEP 8

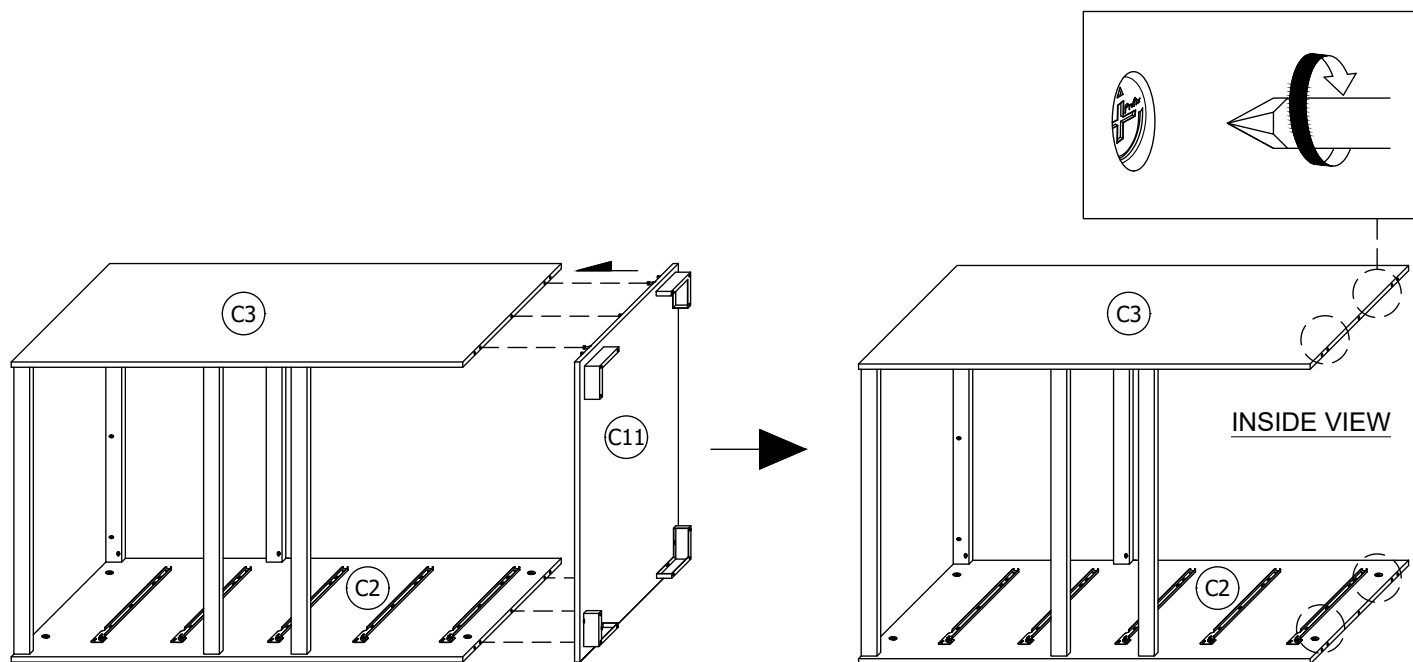
Combine the (C3) to the (C4),(C5) then tighten the another 5 pieces (A)-(pre insert in step 3 and 4) as shown.



ASSEMBLY INSTRUCTION

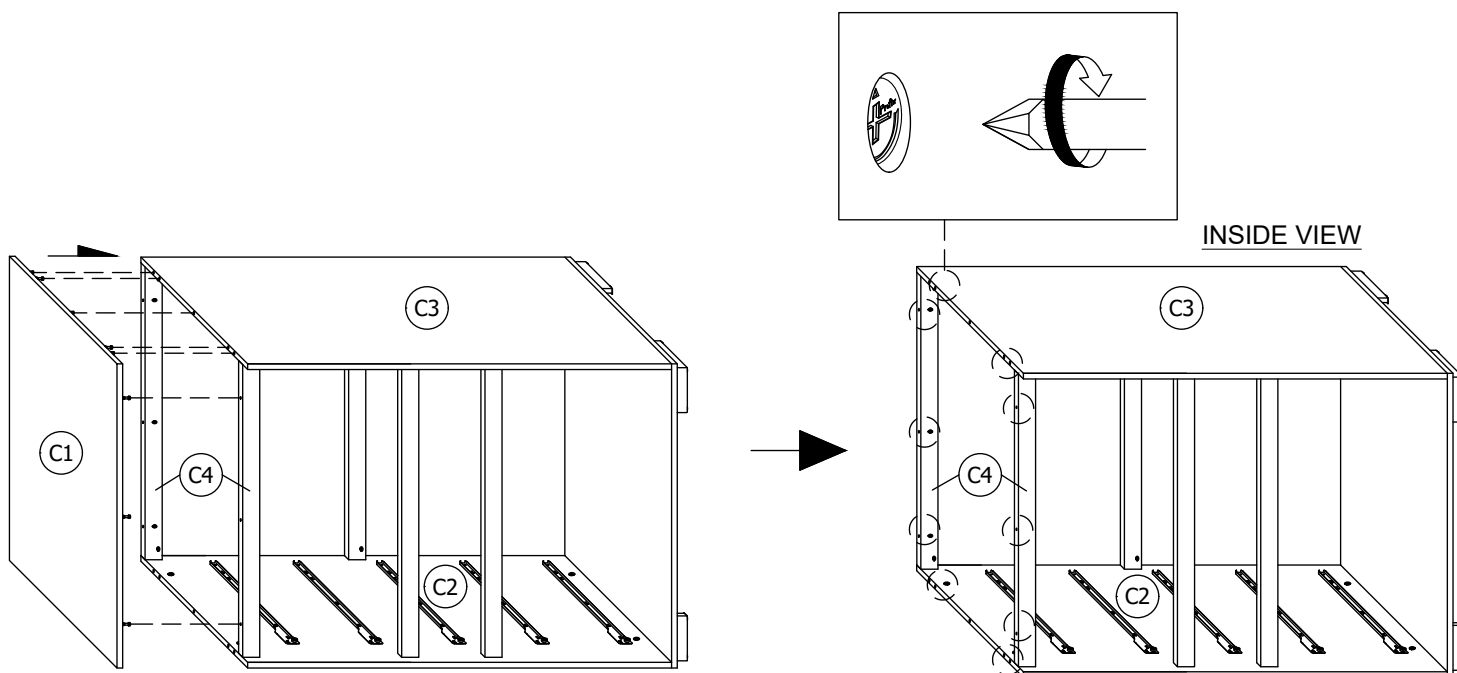
STEP 9

Combine the (C11) to the (C2),(C3) then tighten the 4 pieces (A)-(pre insert in step 1 and 2) as shown.



STEP 10

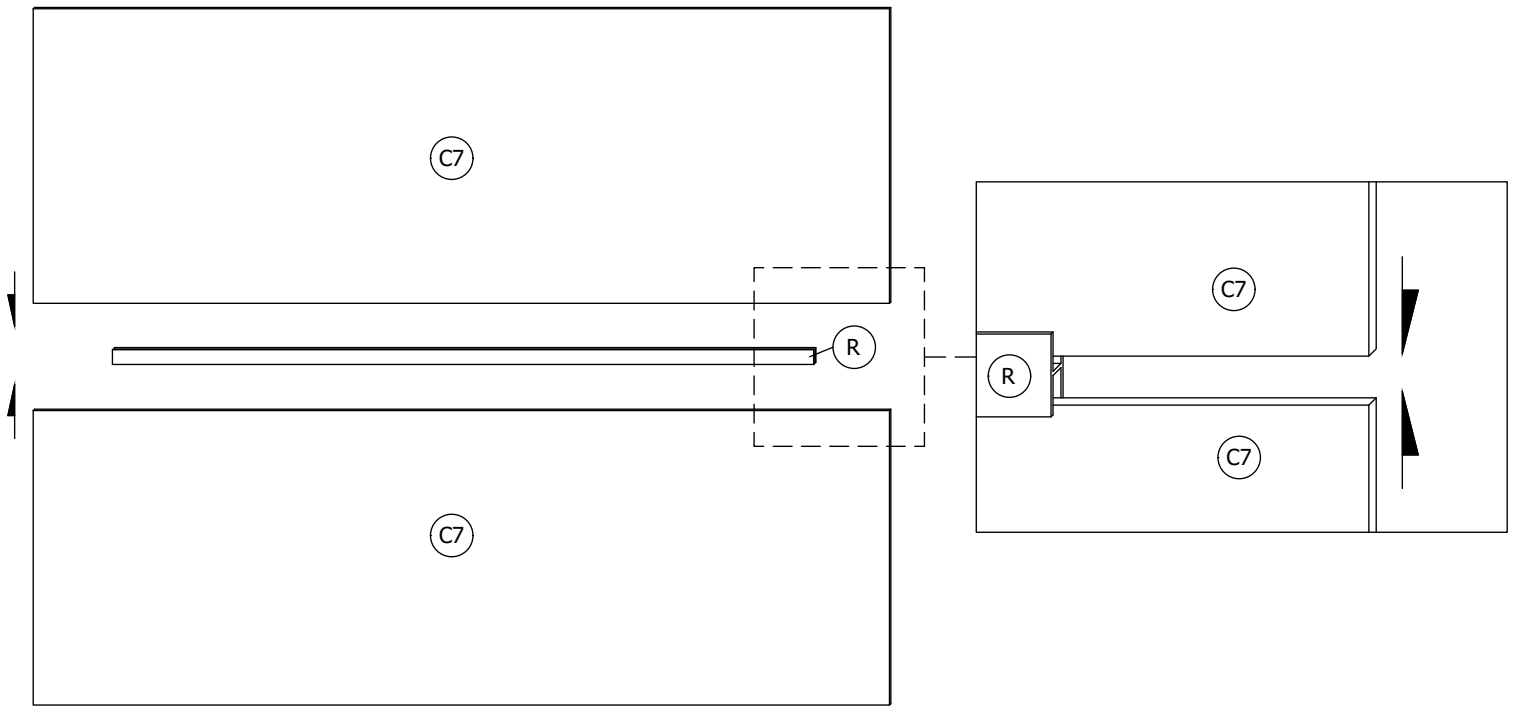
Combine the (C1) to the frame then tighten the remaining 10 pieces (A)-(pre insert in step 1 to 3) as shown.



ASSEMBLY INSTRUCTION

STEP 11

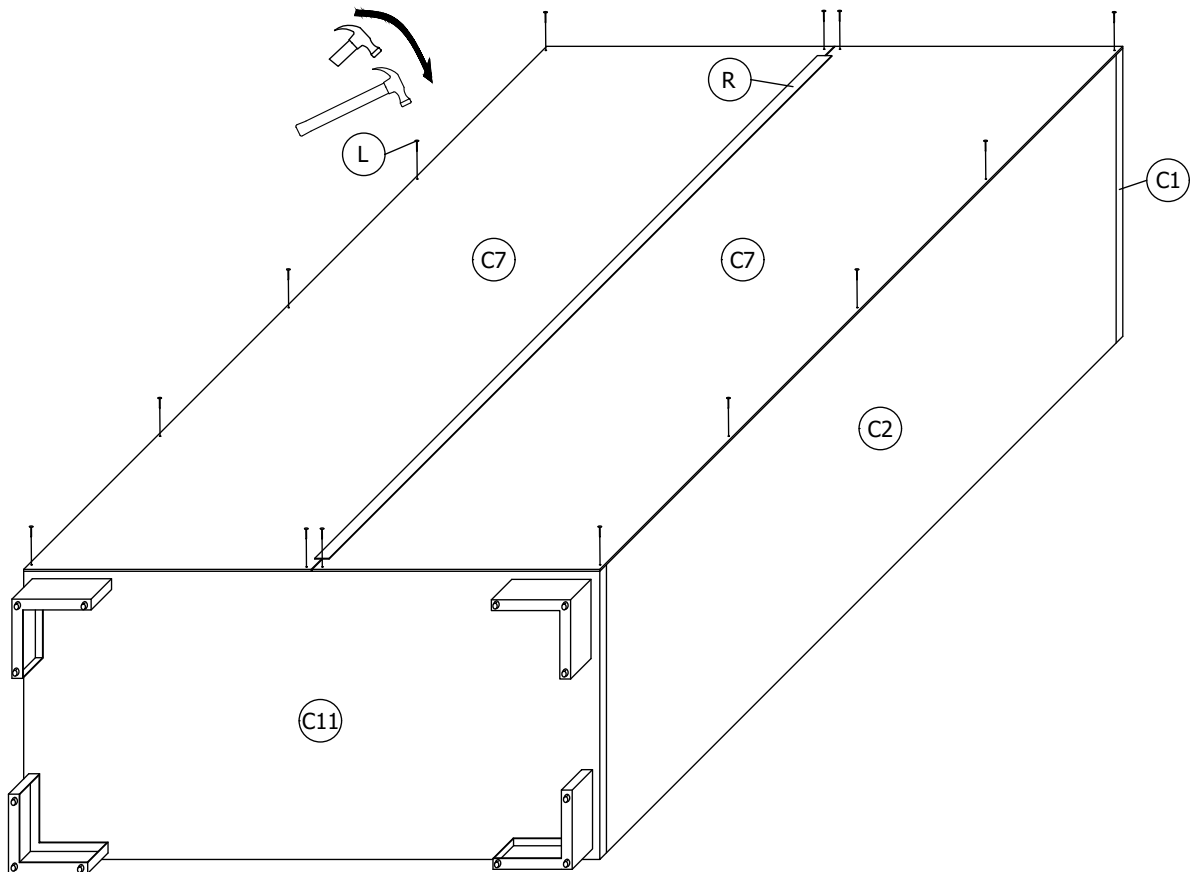
Put the (C7) to the gap of (R) as shown. Direction of the side with colored paper must be the same.



STEP 12

Insert the 14 pieces (L) to fix the (C7) as shown. Colored paper face to outside.

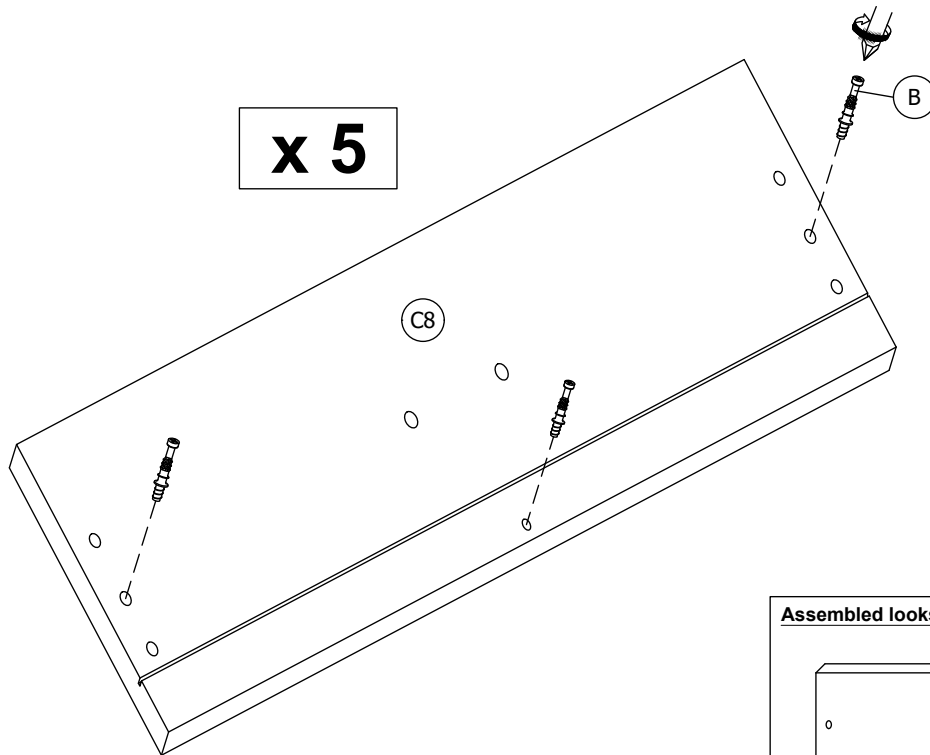
To prevent blocking (C1) and (C11), make sure the (R) at the middle of (C7), do not over high or lower.



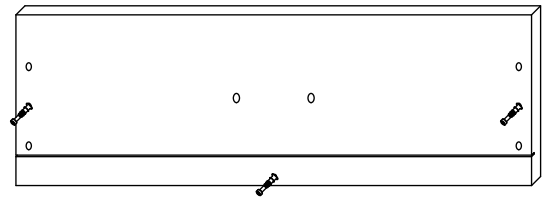
ASSEMBLY INSTRUCTION

STEP 13

Insert 3 pieces (B) to the (C8) as shown.

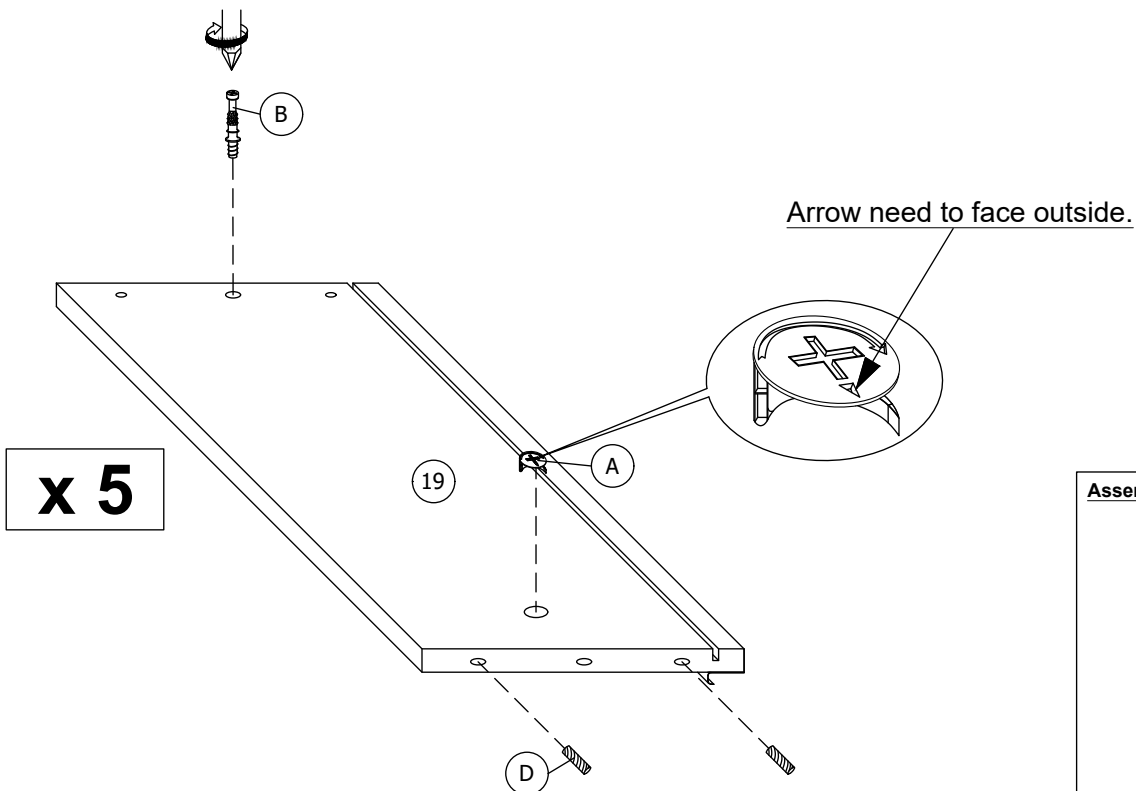


Assembled looks

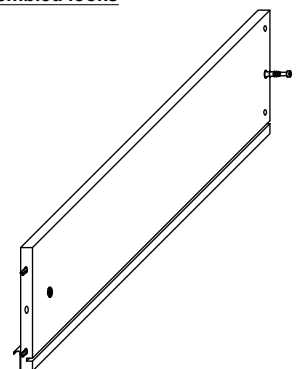


STEP 14

Insert 1 piece (A),(B) and 2 pieces (D) to (19) as shown.



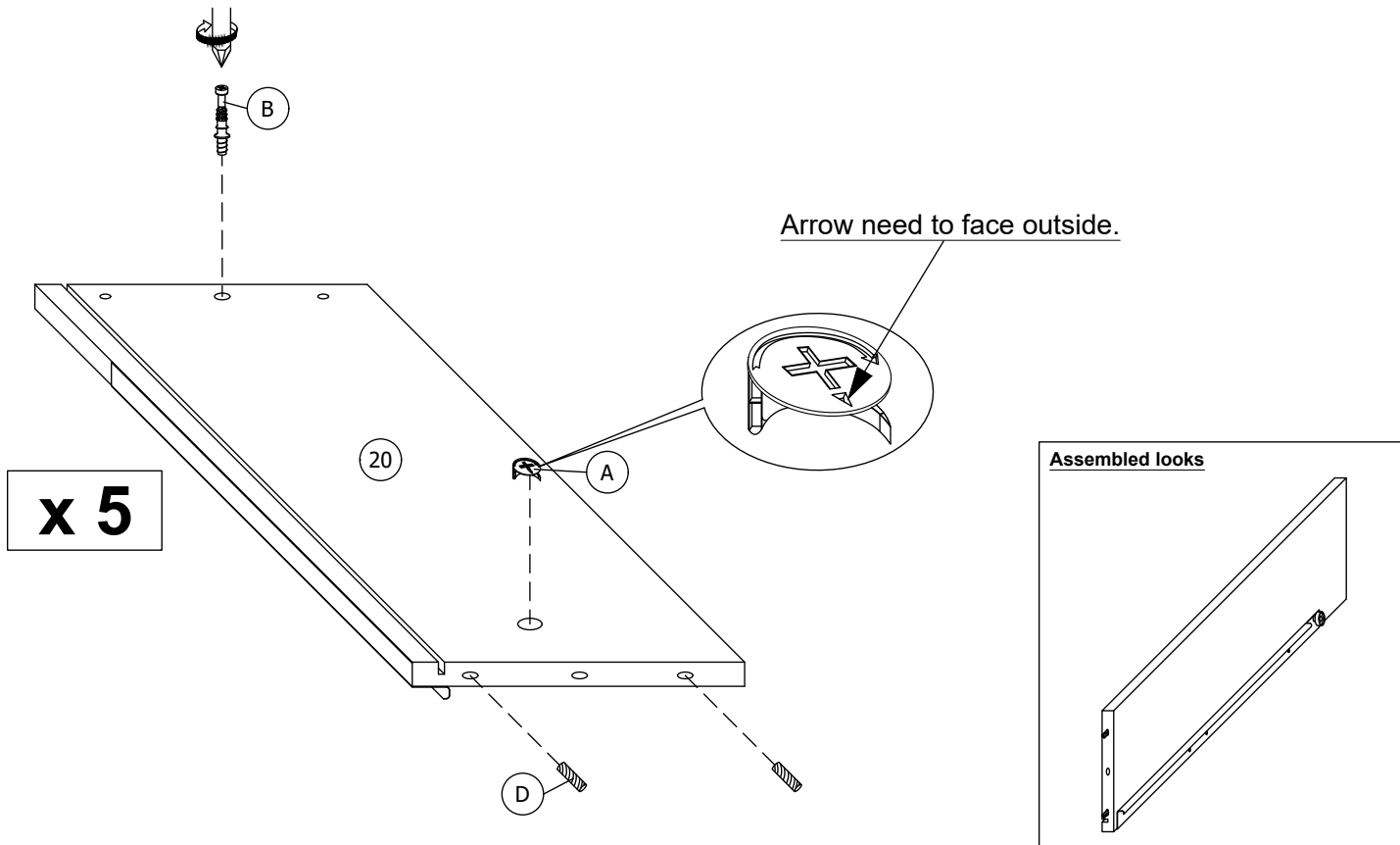
Assembled looks



ASSEMBLY INSTRUCTION

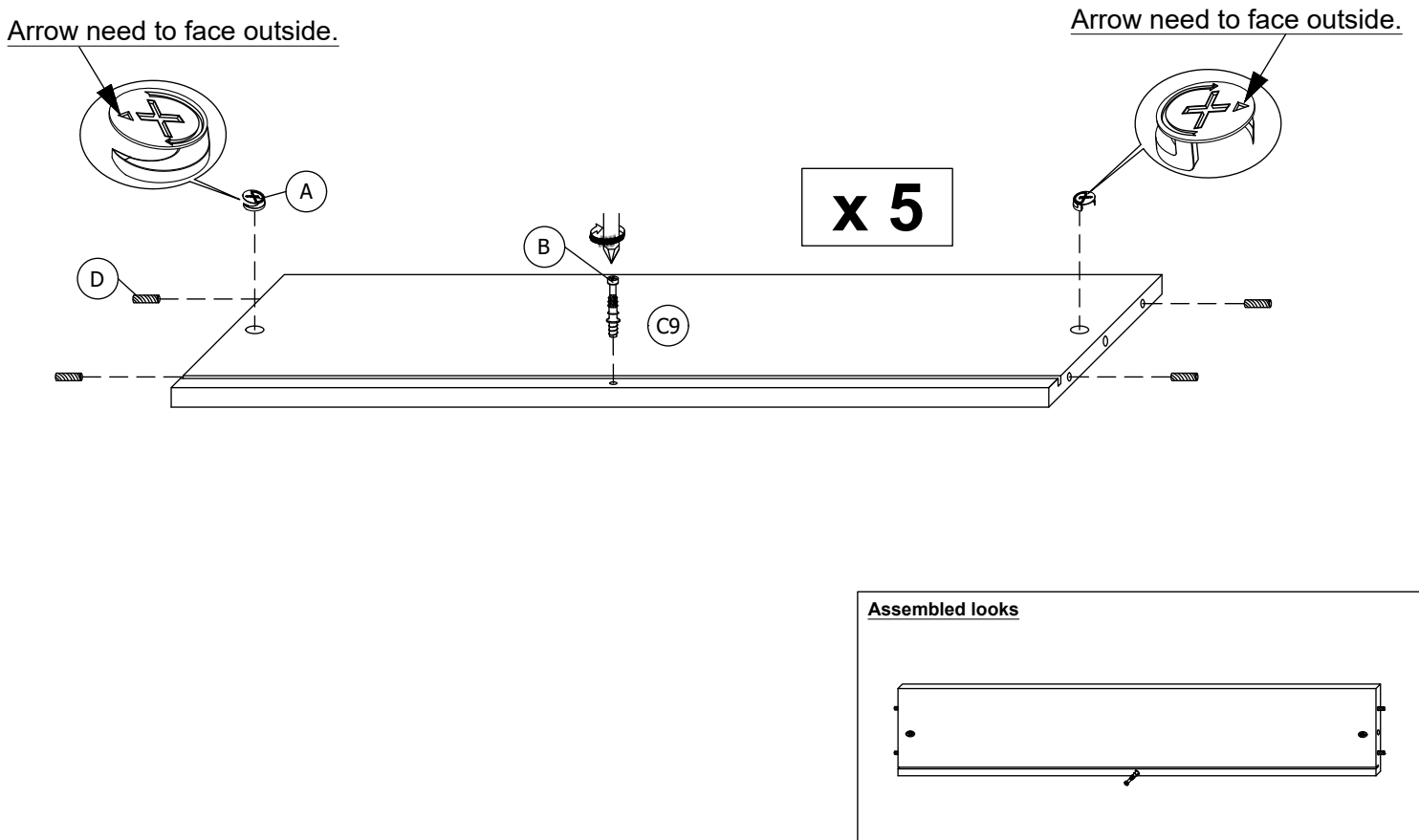
STEP 15

Insert 1 piece (A),(B) and 2 pieces (D) to (20) as shown.



STEP 16

Insert 2 pieces (A) , 1 piece (B) and 4 pieces (D) to (C9) as shown.



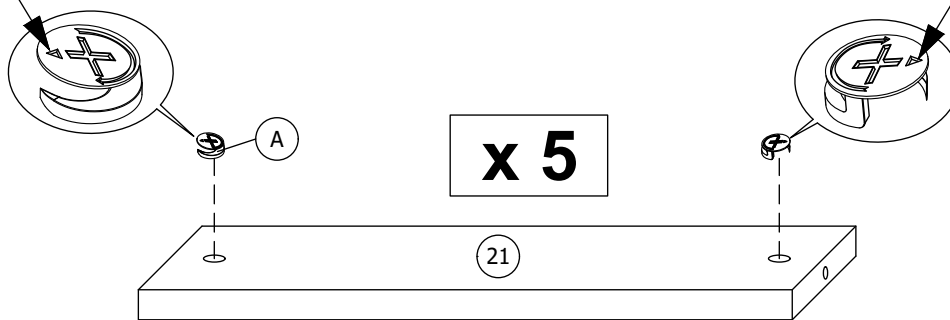
ASSEMBLY INSTRUCTION

STEP 17

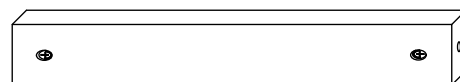
Insert 2 pieces (A) to (21) as shown.

Arrow need to face outside.

Arrow need to face outside.



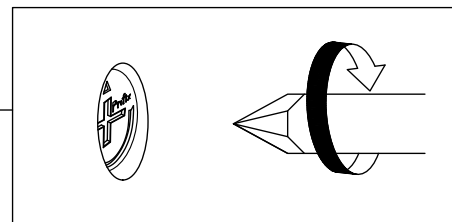
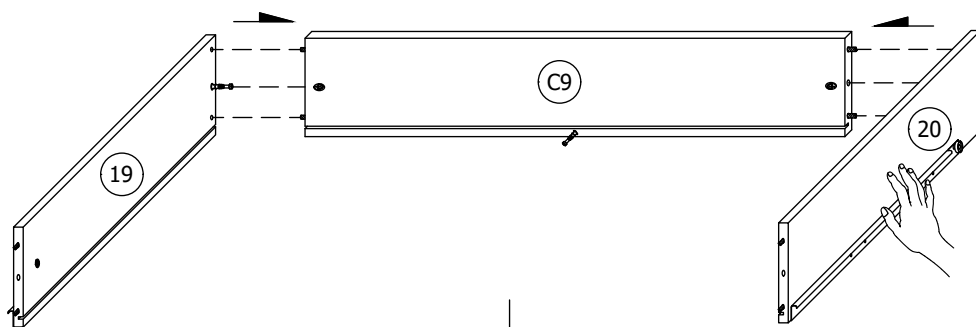
Assembled looks



STEP 18

Combine the (19) and (20) to the (C9) . Then tighten the 2 pieces (A)-(pre-insert in step 16) as shown.

x 5

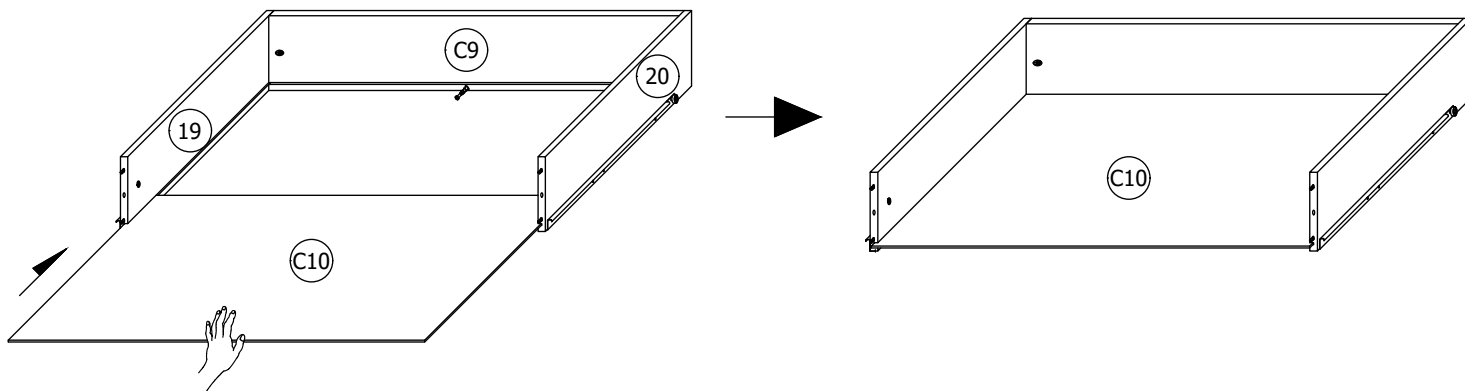


ASSEMBLY INSTRUCTION

STEP 19

Put the (C10) into the gap of (19),(20) and (C9) as shown.

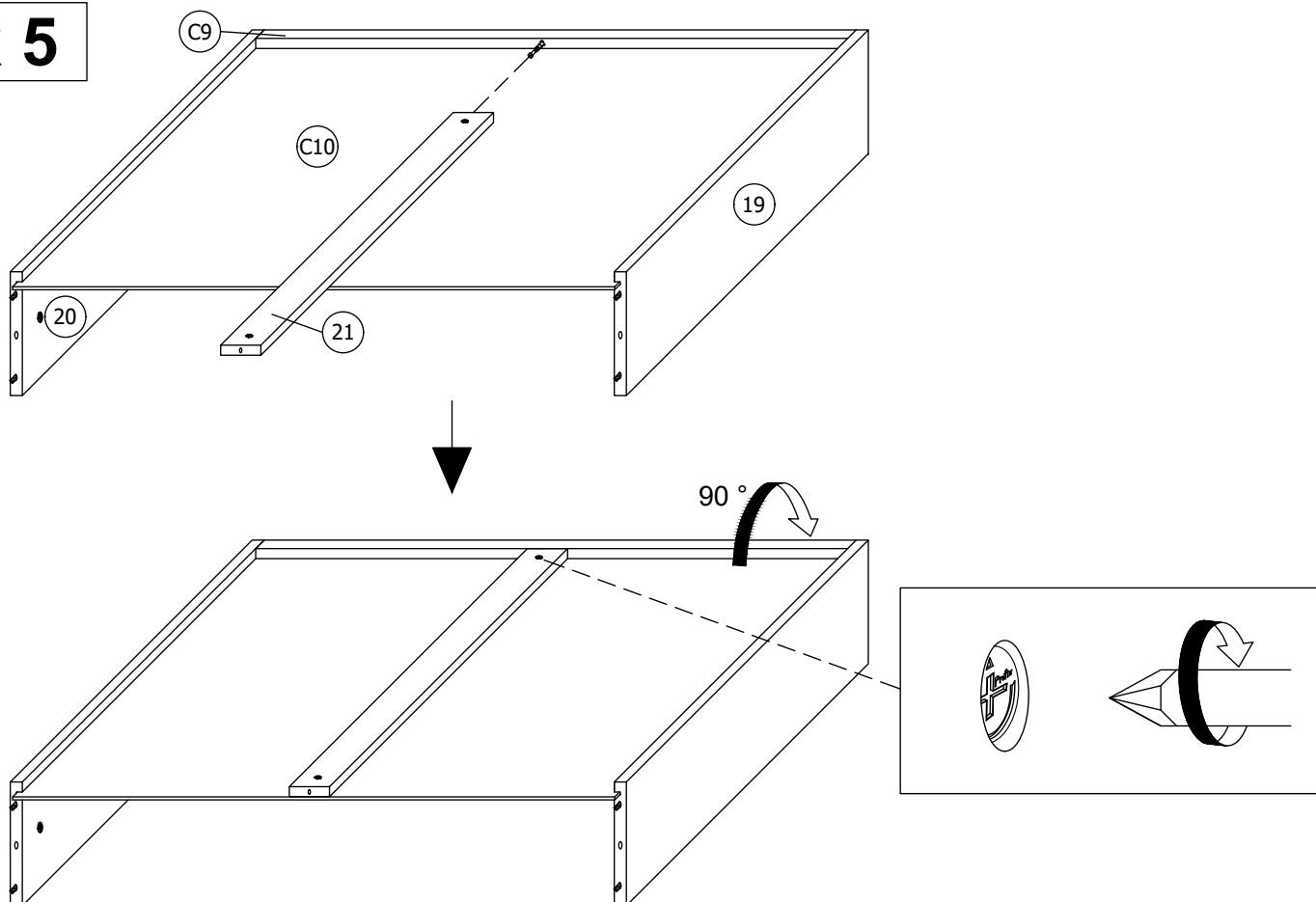
x 5



STEP 20

Combine the (21) to the (C9) then tighten the 1 piece (A)-(pre-insert in step 18) as shown.

x 5

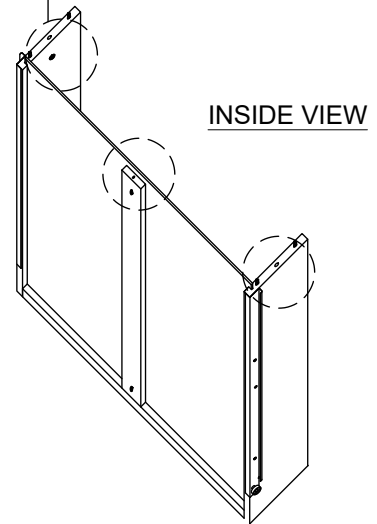
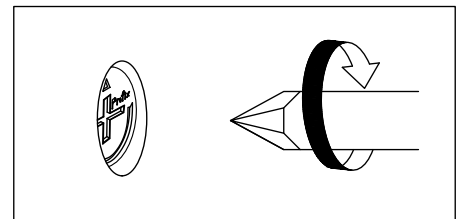
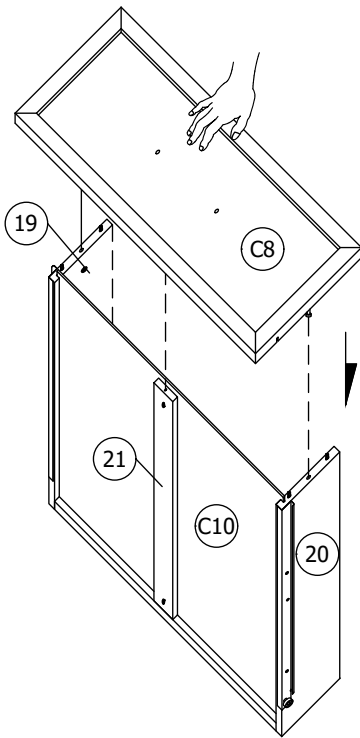


ASSEMBLY INSTRUCTION

STEP 21

Combine the (C8) to the drawer frame. Then tighten the 3 pieces (A)-(pre-insert in step 14,15 and 17) as shown.

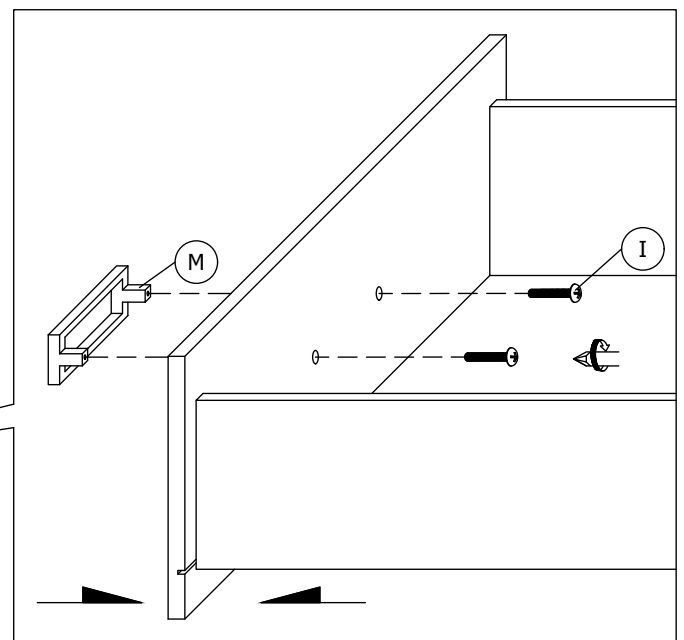
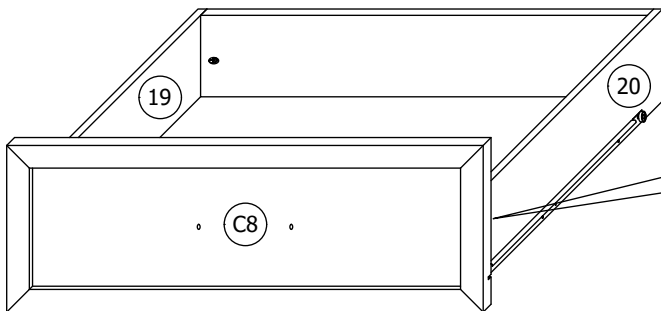
x 5



STEP 22

Insert 2 pieces (I) fix the (M) as shown.

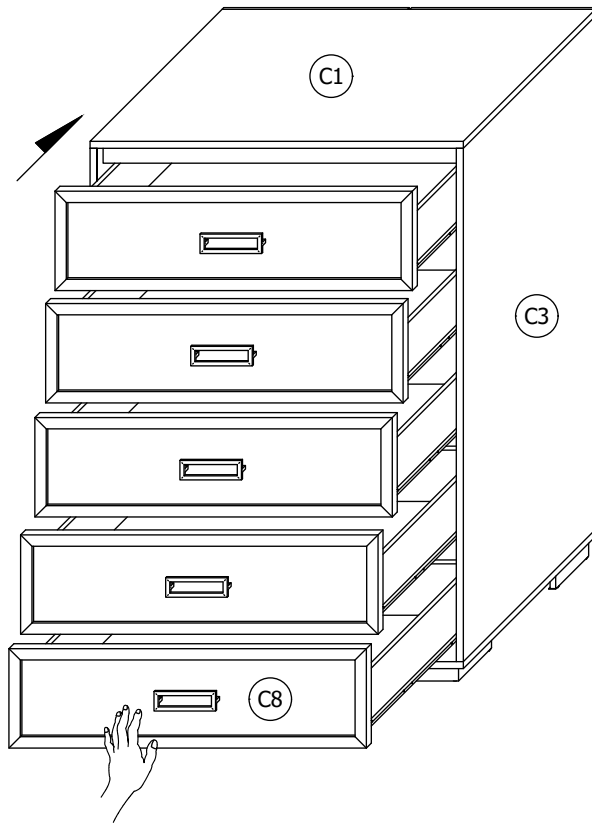
x 5



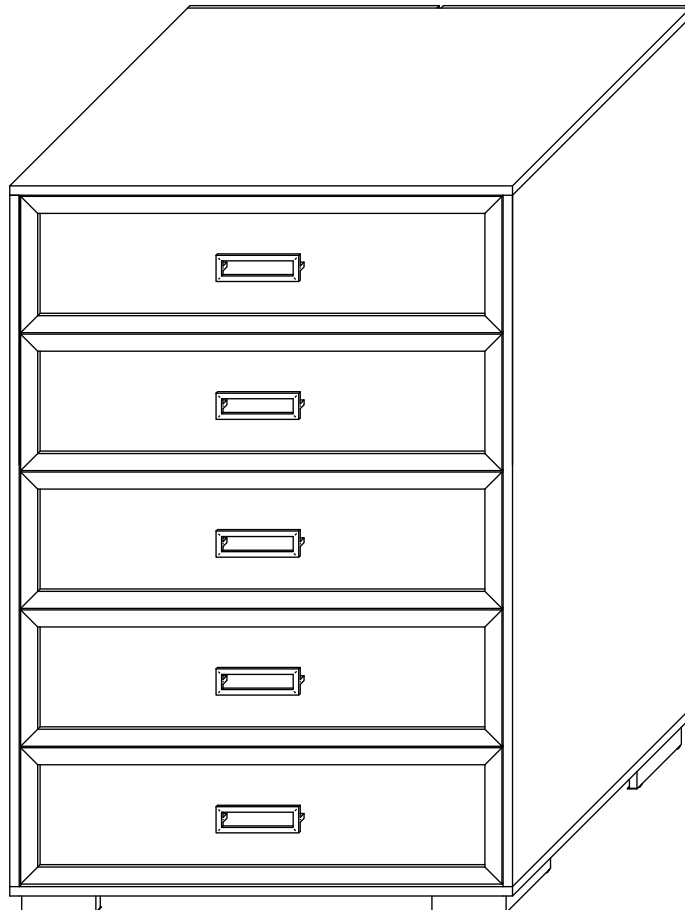
ASSEMBLY INSTRUCTION

STEP 23

Align the position then push the 5 pieces drawer to inside exactly as shown.



STEP 24

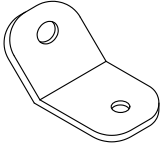
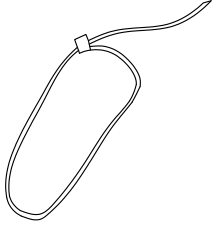

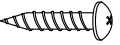


ASSEMBLY COMPLETED

WALL STUD

SAFETY BRACKET INSTRUCTIONS

Part Enclosed :

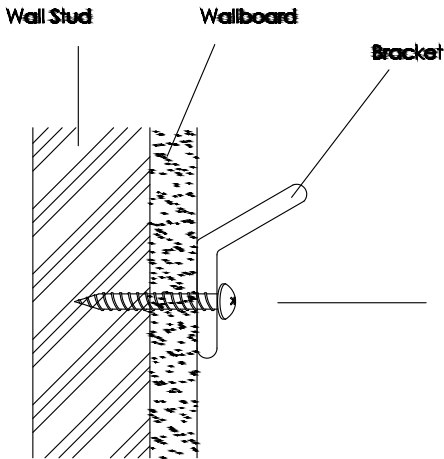
<p>A) Bracket</p>  <p>2x</p>	<p>B) Safety Strap</p>  <p>1x</p>	<p>C) 50mm Pan Head Screw</p>  <p>1x</p>	<p>D) 17mm Pan Head Screw</p>  <p>1x</p>
---	--	--	---

IMPORTANT: Tipping can injure young children. Use of this safety hardware is highly recommended. This safety hardware, when properly installed, can provide furniture protection against unexpected accidental tipping of furniture due to improper use.

Step 1

Attach a bracket to the wall board with the 2" screw provided:

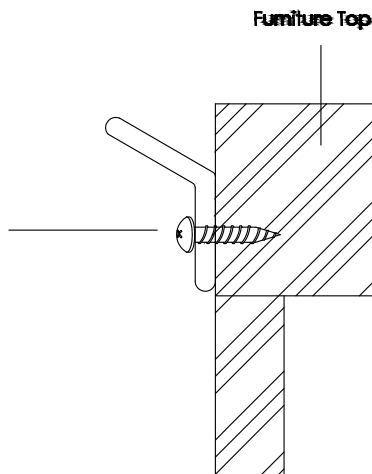
- It is recommended that you locate a wall stud behind the furniture unit. If the wall stud is not used, a suitable "Hollow-Wall Anchor Bolt" (not provided) should be used in lieu of the wall stud.
- Position the wall bracket on the stud about 1" below the top of furniture piece.
- Mark the position for the bracket placement on the wall and drill a pilot hole into the stud.
- Attach the bracket to the back of the furniture with the 2" screws provided.



Step 2

To attach a bracket to the Furniture Frame below to top with the short screws provided :

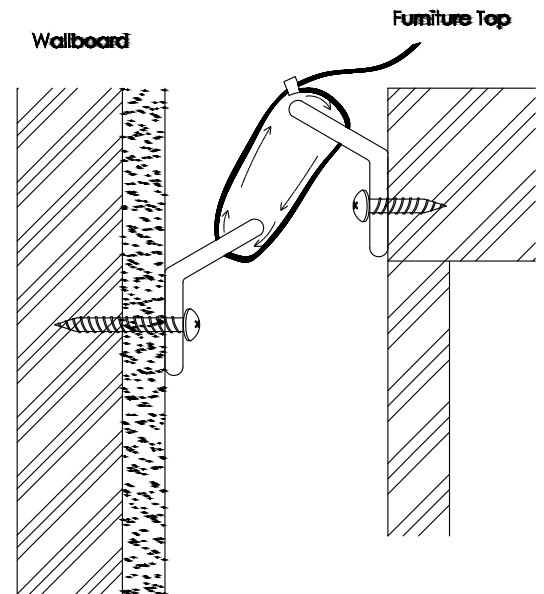
- Move the furniture piece temporarily to its final position to the wall.
- Mark the location of the bracket on the back of the furniture in relation to the previously mounted wall bracket.
- Move the furniture piece away from the wall mounted bracket and place the other bracket on the mark position on the back of the furniture piece.
- Drill a pilot hole as shown in the figure or into the back furniture frame.
- **Caution:** Mark sure you do not drill completely through the back of the furniture.
- Attach the bracket to the back of the furniture with the 5/8" screws provided.



Step 3

To Attach the safety strap:

- Move the furniture back to its final position.
- Thread the safety strap through both of the mounted brackets as shown in the illustration.
- Tighten the strap unit snug.
- Do not over tighten.



IMPORTANT: Make sure the brackets are firmly attached to the wall stud and furniture frame and the safety strap is snug.

Warning: This product is not be a substitute for proper parental supervision which is the only proper deterrent to prevent improper use of this unit. The manufacturer assumes no liability for improper installation or excessive loads placed on the safety straps, bracket or mounting screws. This hardware will not insure against tipping.

Note: For taller or heavier pieces of furniture, two safety brackets may be installed.

ASSEMBLY INSTRUCTION

This sticker was stucked at one of the **DRAWER LEFT PANEL(19)**.

⚠ WARNING	
	<p>Children have died from furniture tipover. To reduce the risk of furniture tipover:</p> <ul style="list-style-type: none">• ALWAYS install tipover restraint provided.• NEVER put a TV on this product.• NEVER allow children to stand, climb or hang on drawers, doors, or shelves.• NEVER open more than one drawer at a time.• Place heaviest items in the lowest drawers. <p><i>This is a permanent label. Do not remove!</i></p>
	

Place the drawer which stucked a warning label in the top as shown.

