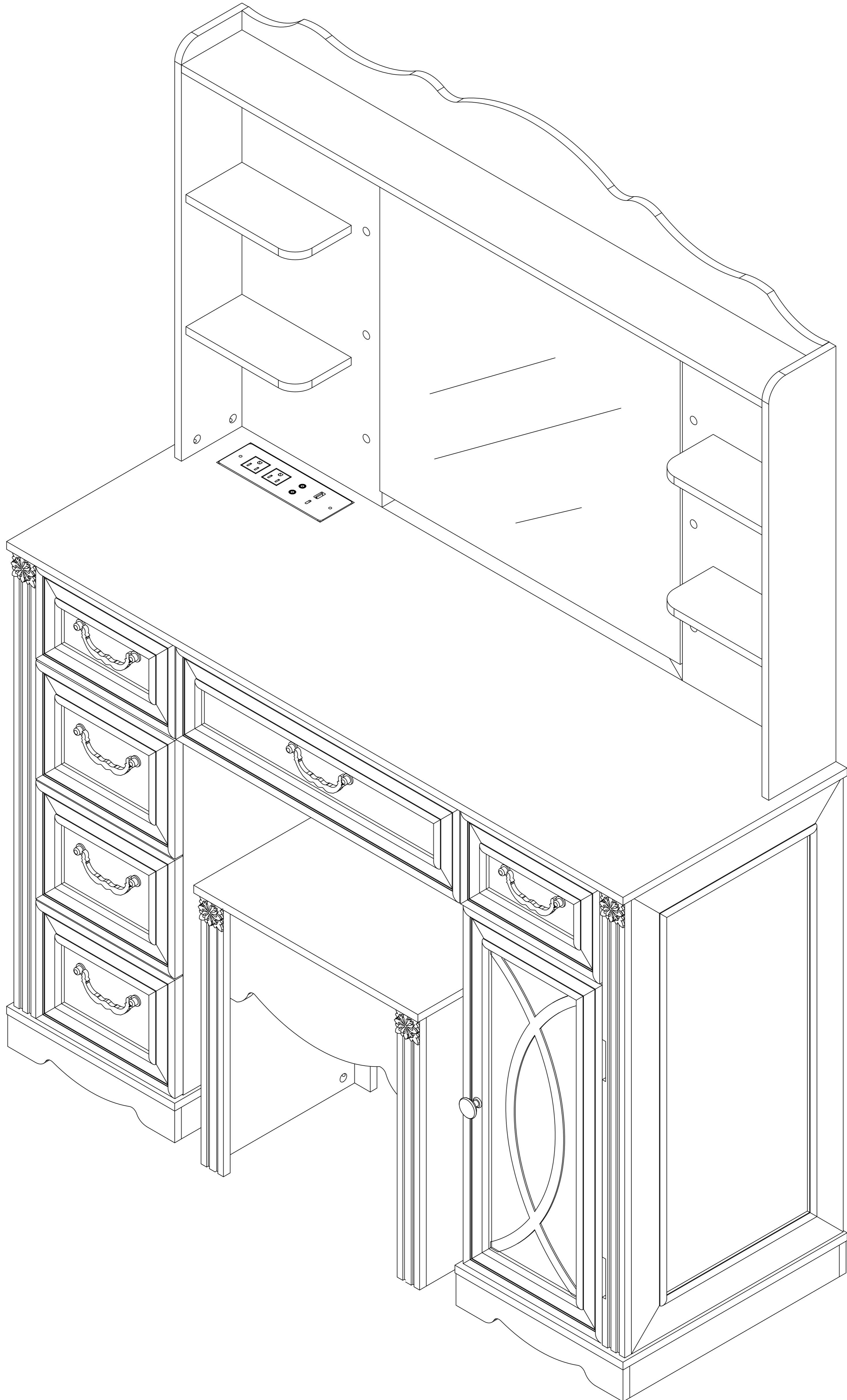
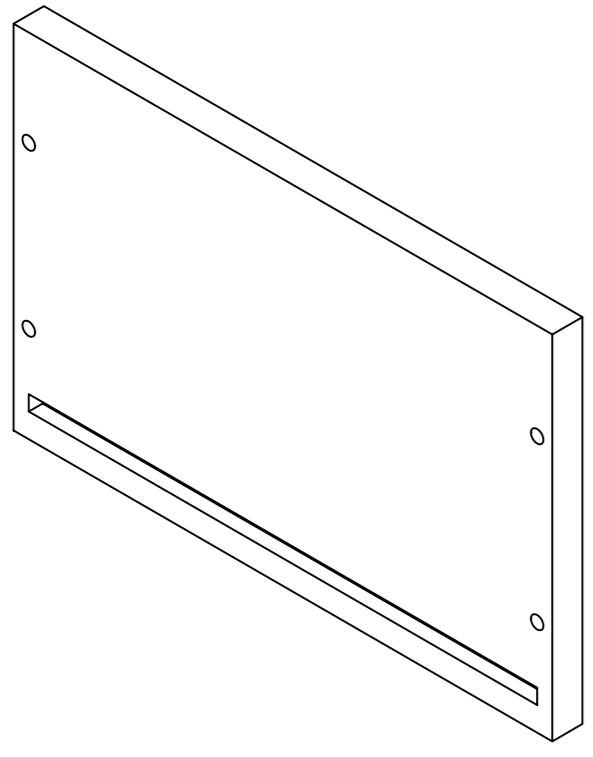
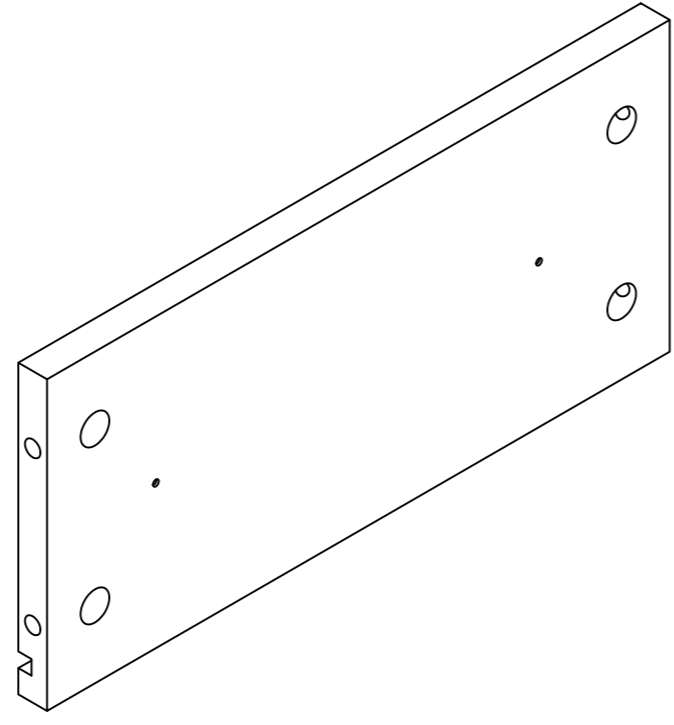


Installation Instructions

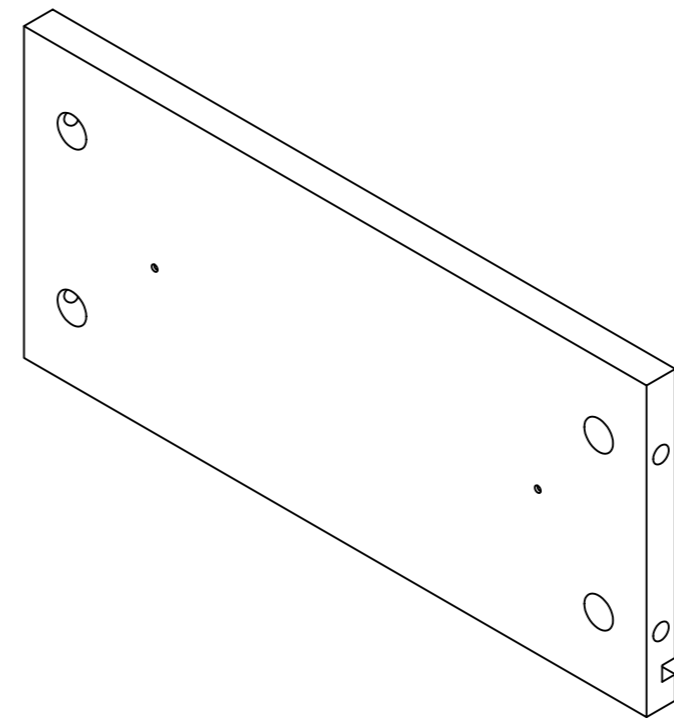




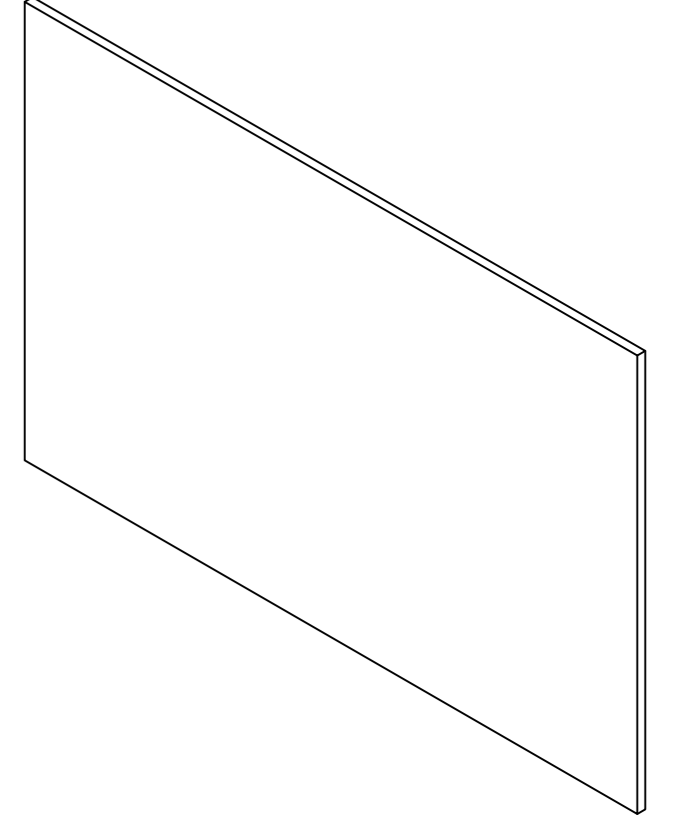
1x3



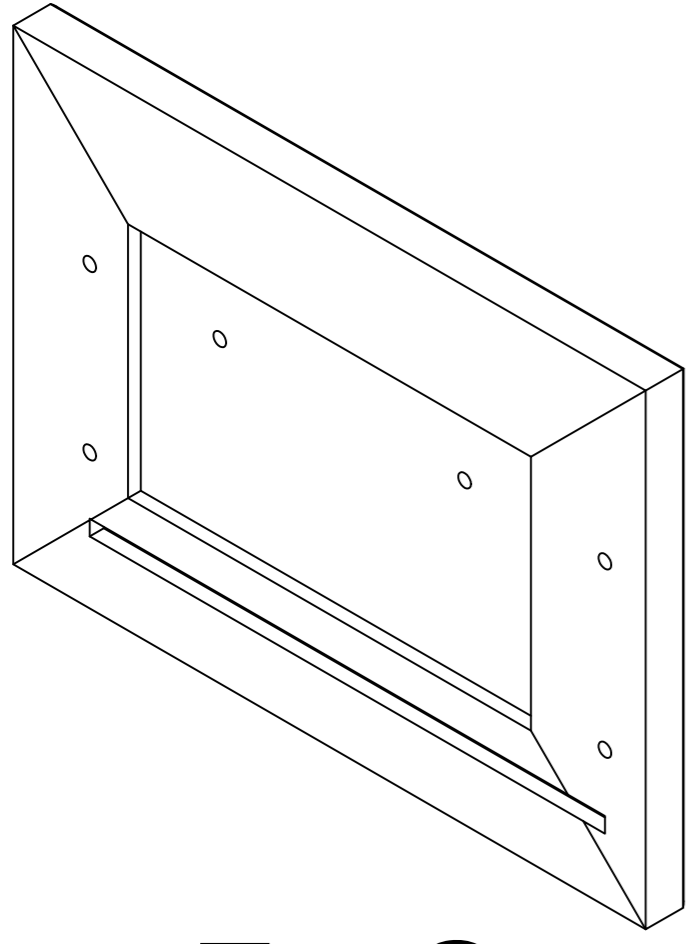
2x3



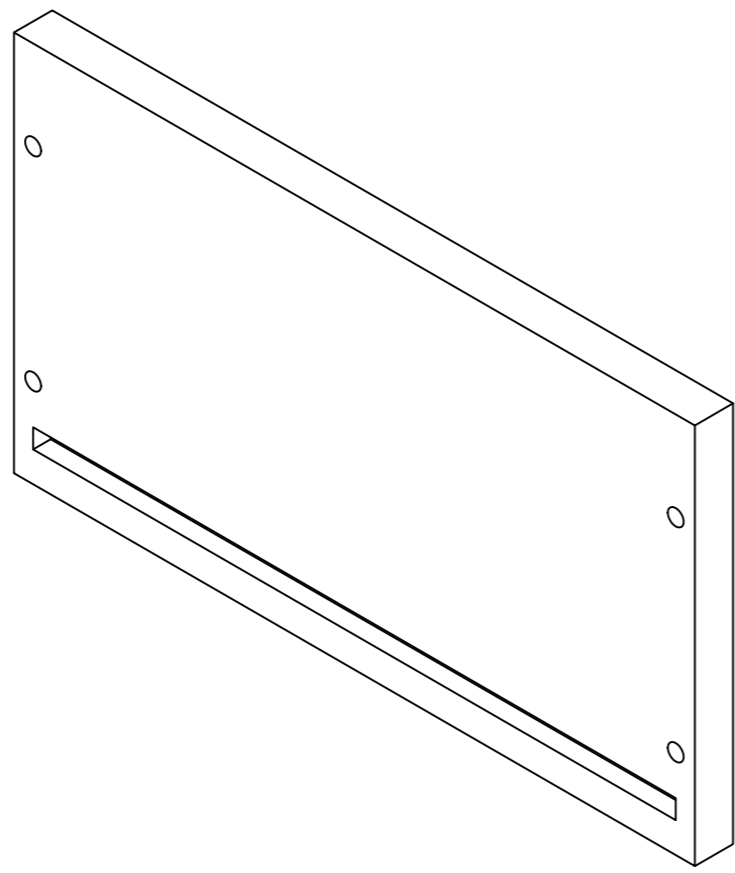
3x3



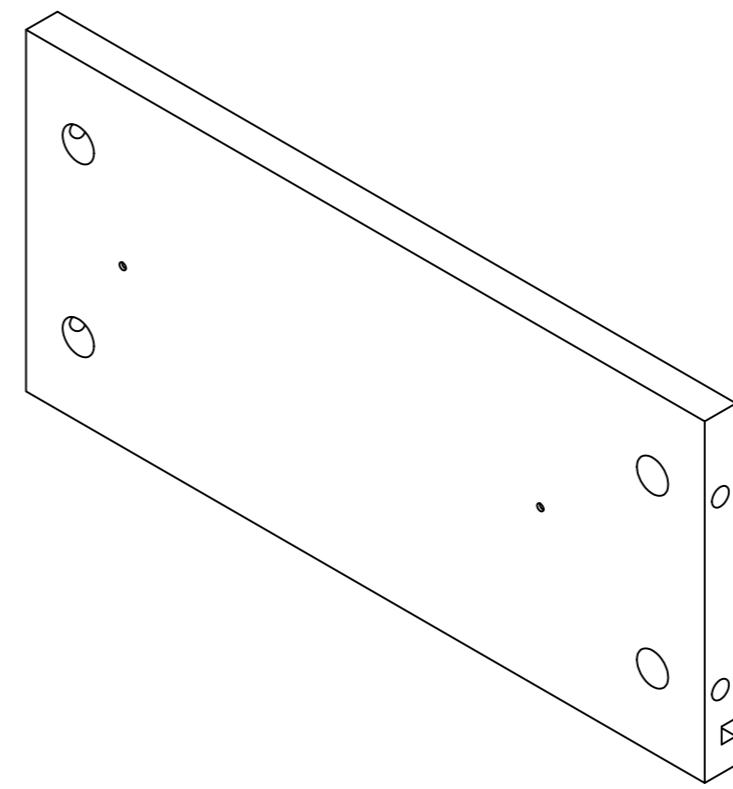
4x3



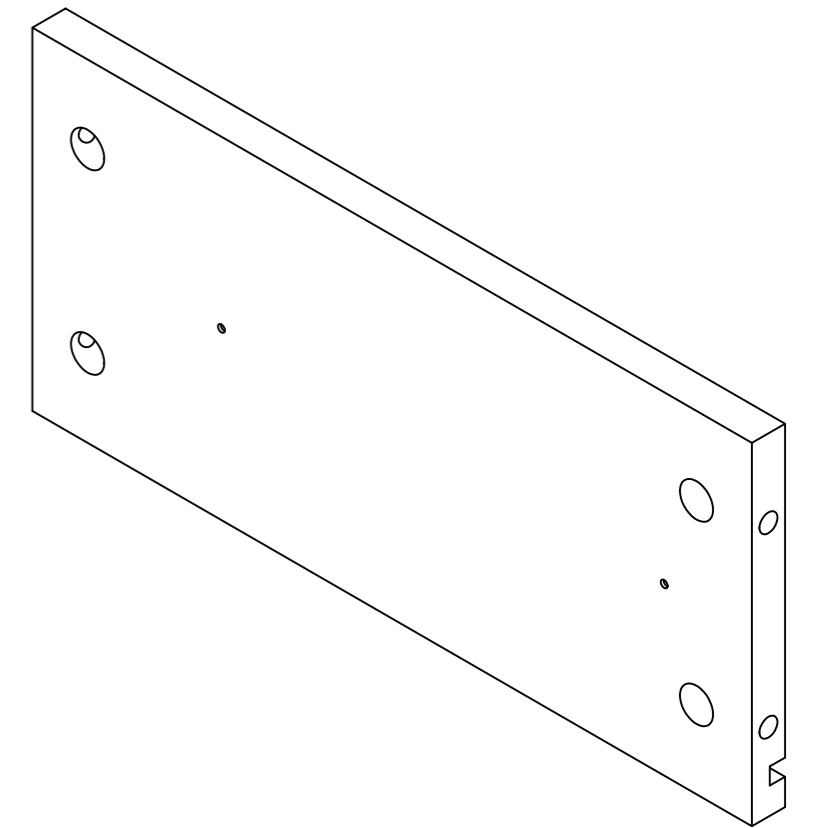
5x3



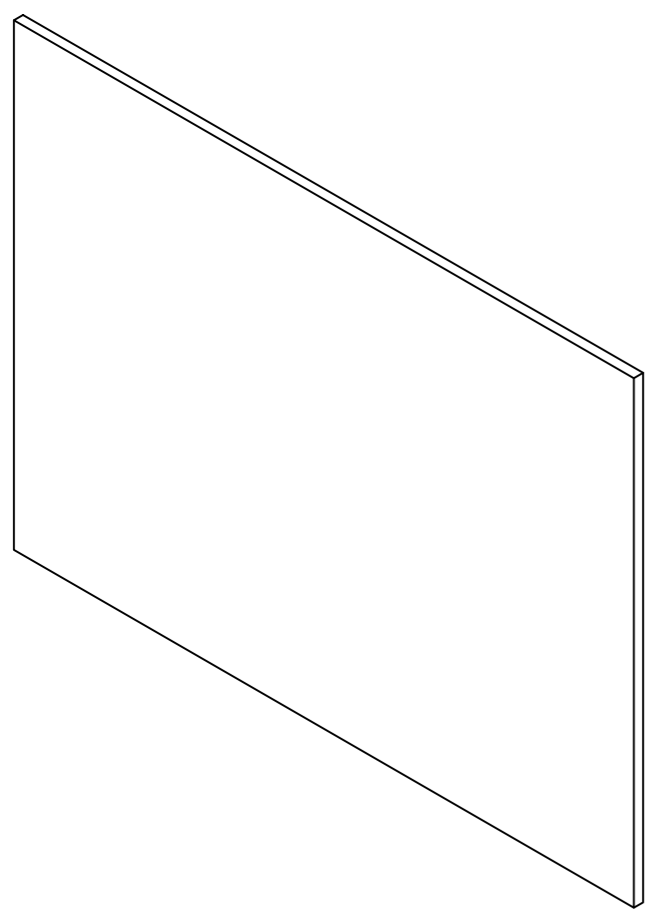
6x2



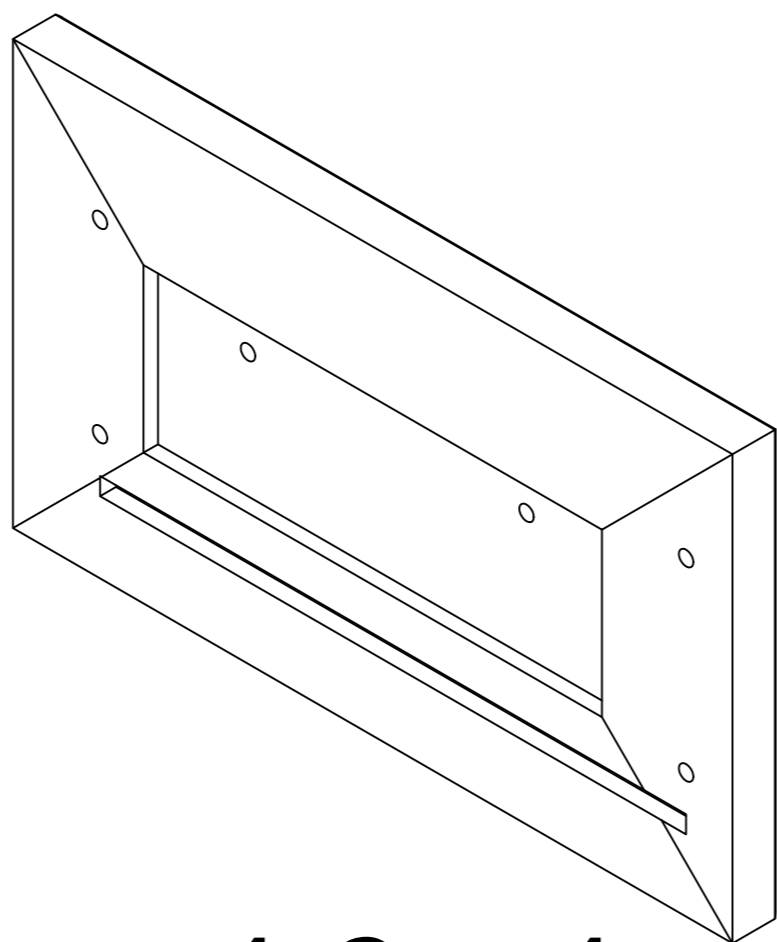
7x3



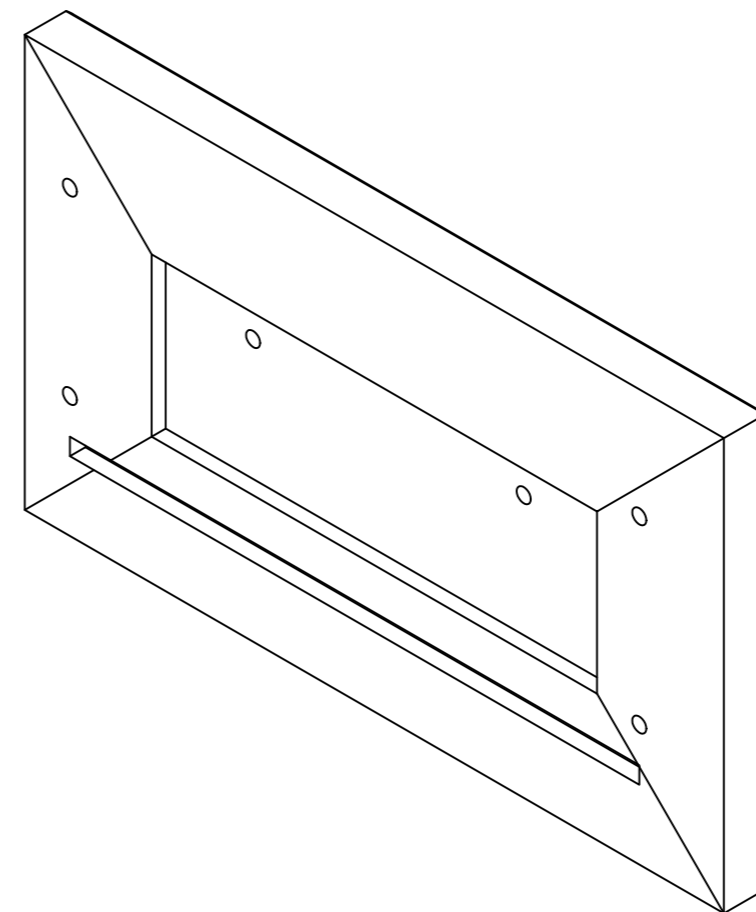
8x3



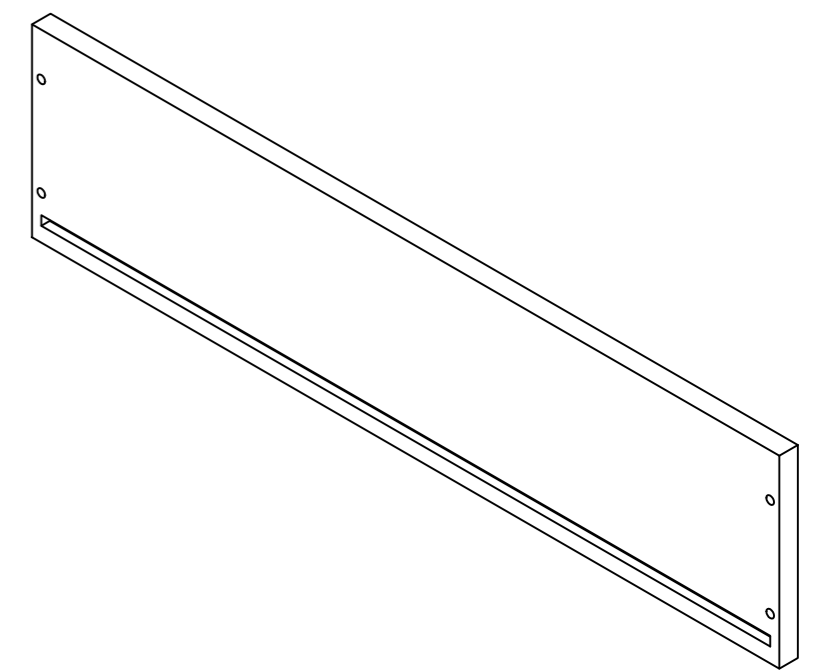
9x2



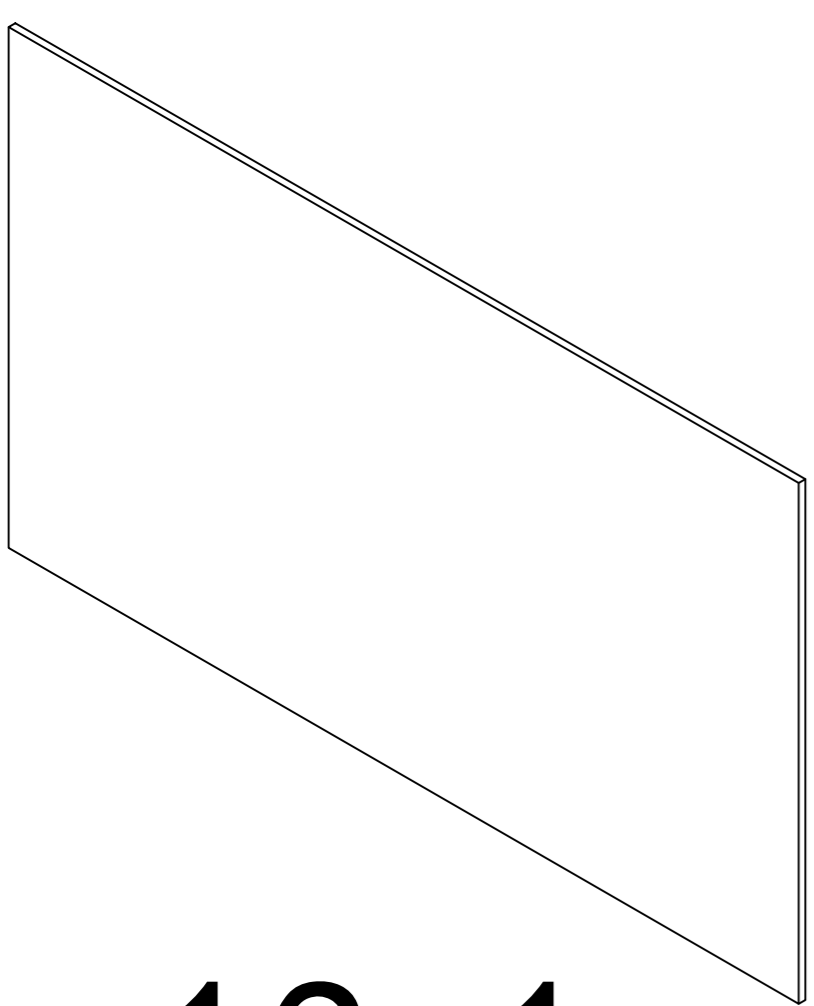
10x1



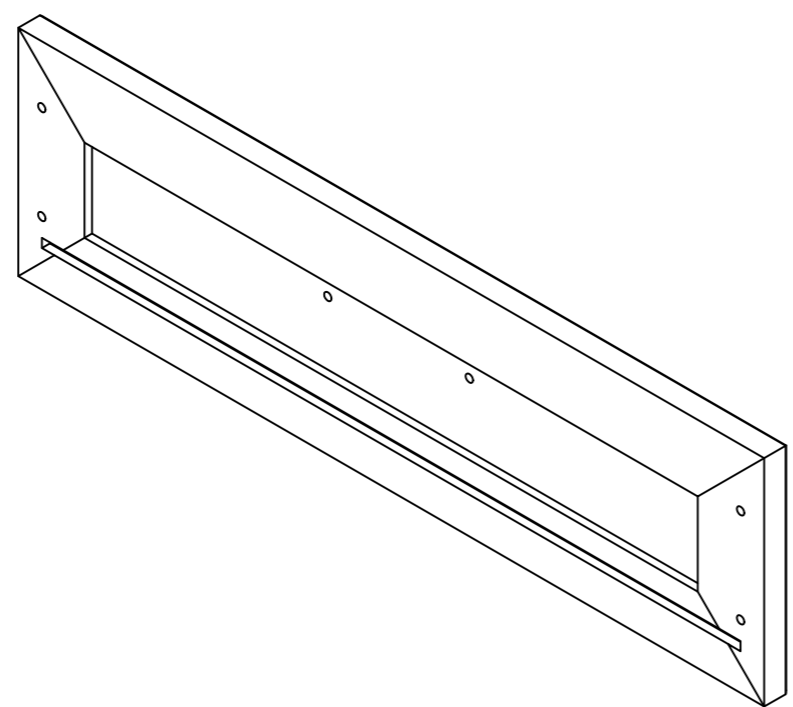
11x1



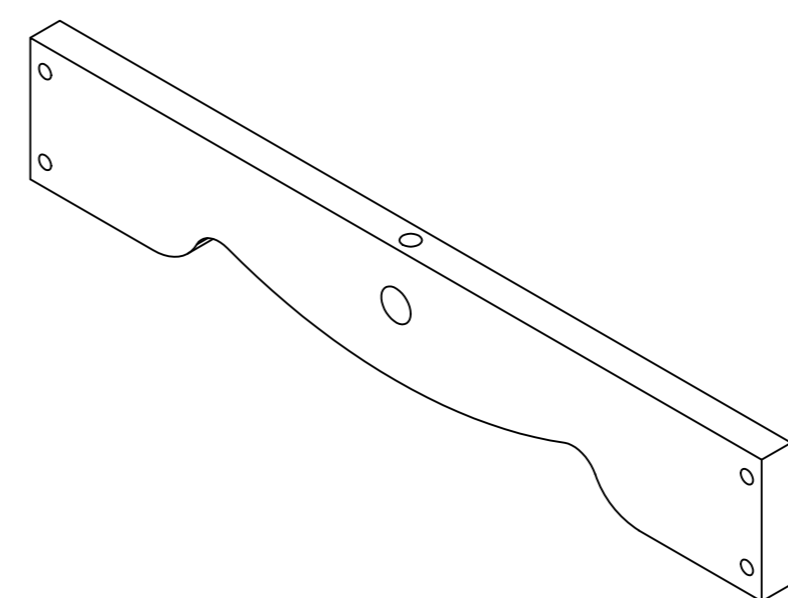
12x1



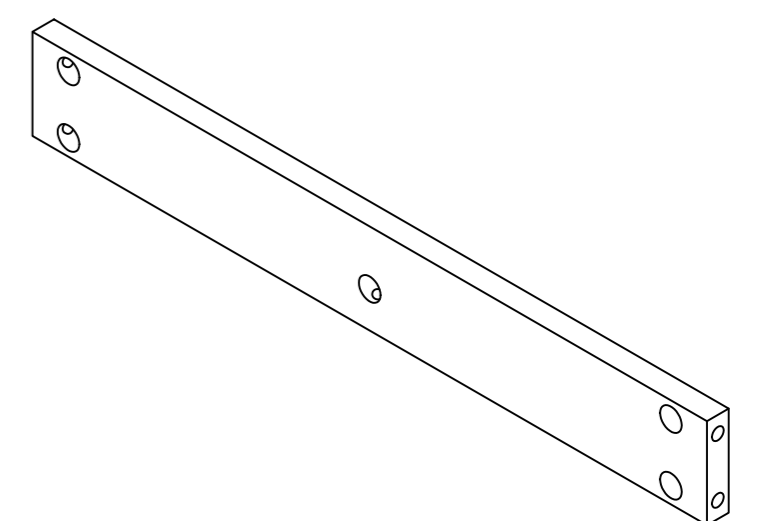
13x1



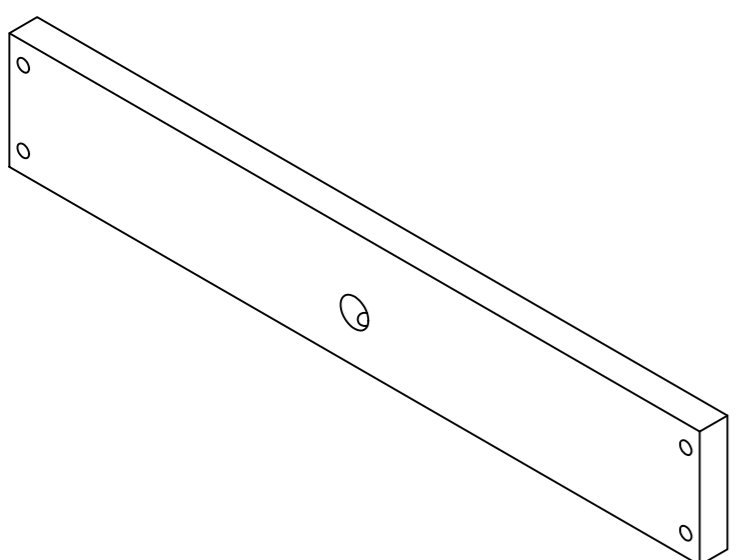
14x1



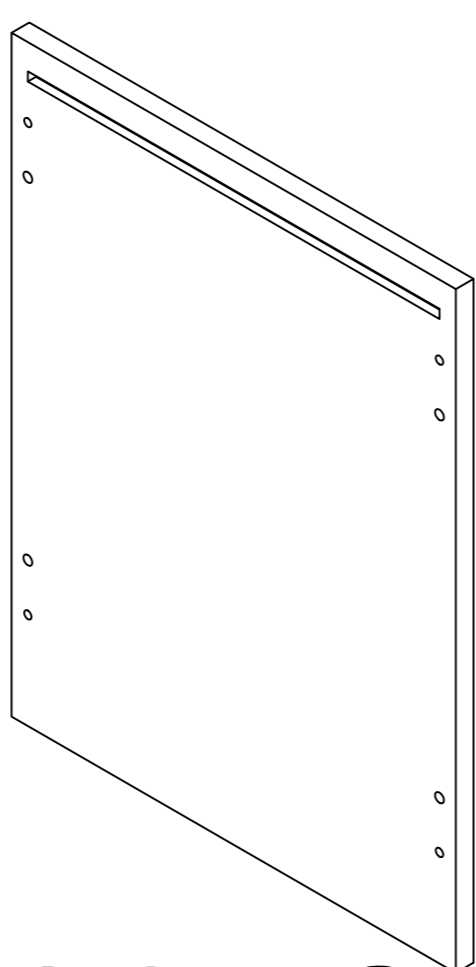
15x2



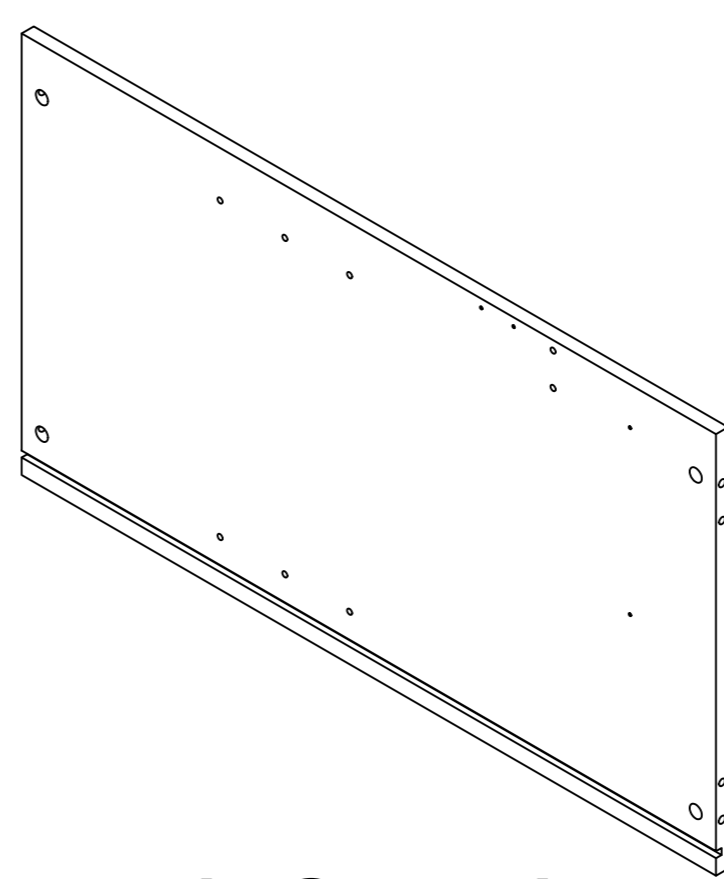
16x4



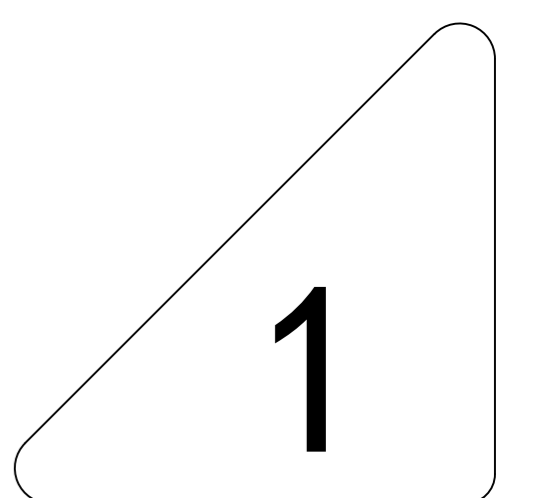
17x2



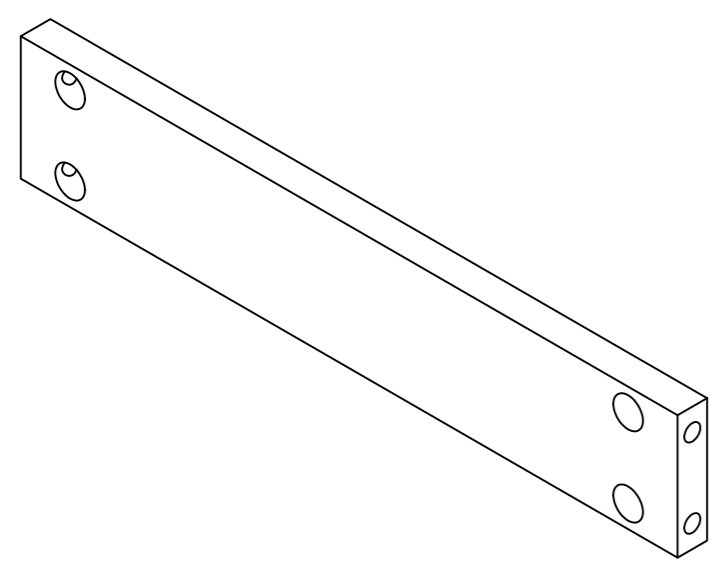
18x2



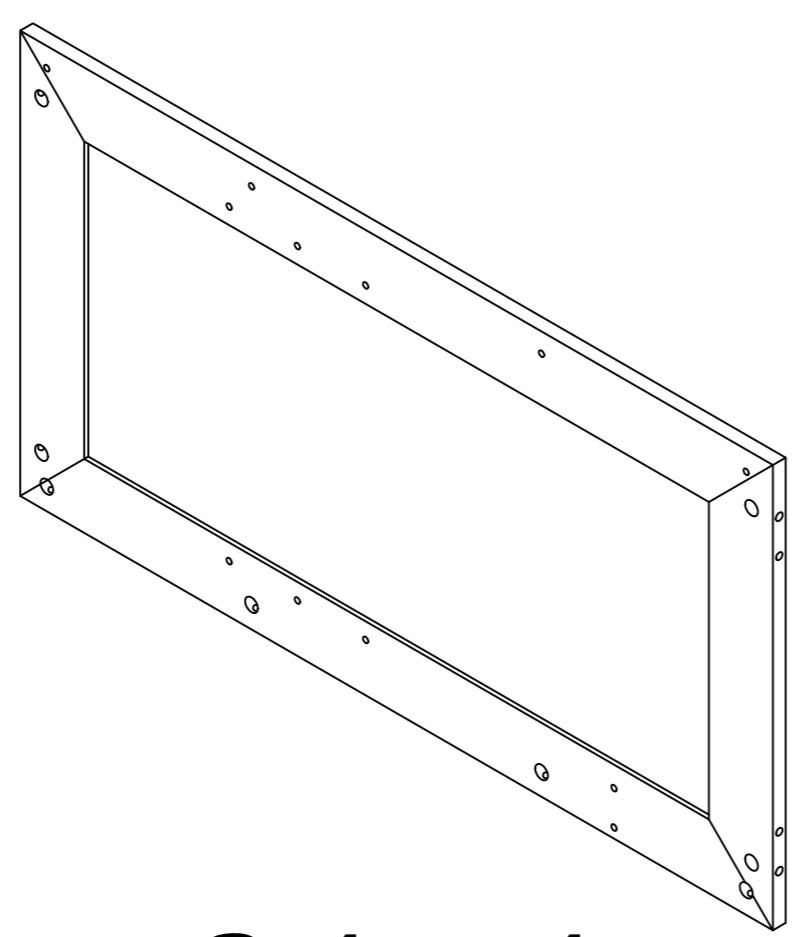
19x1



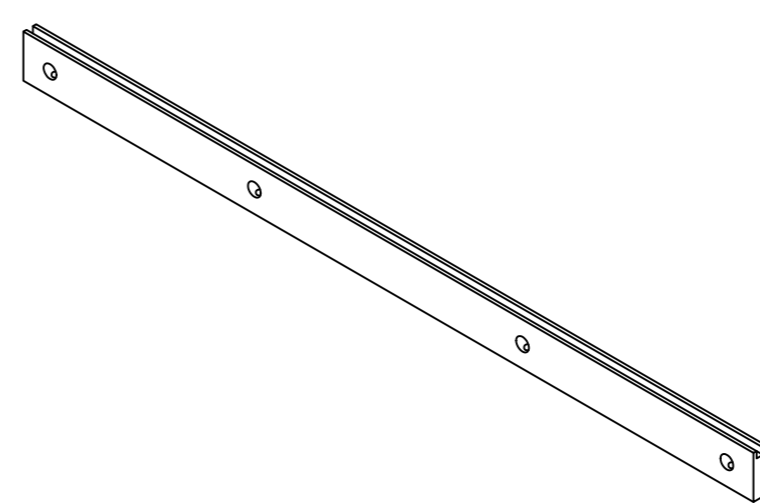
1



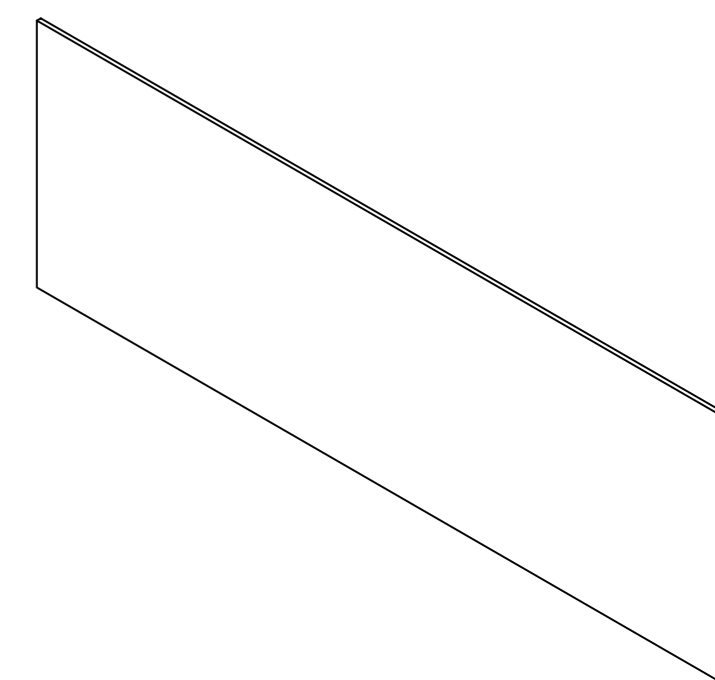
20x4



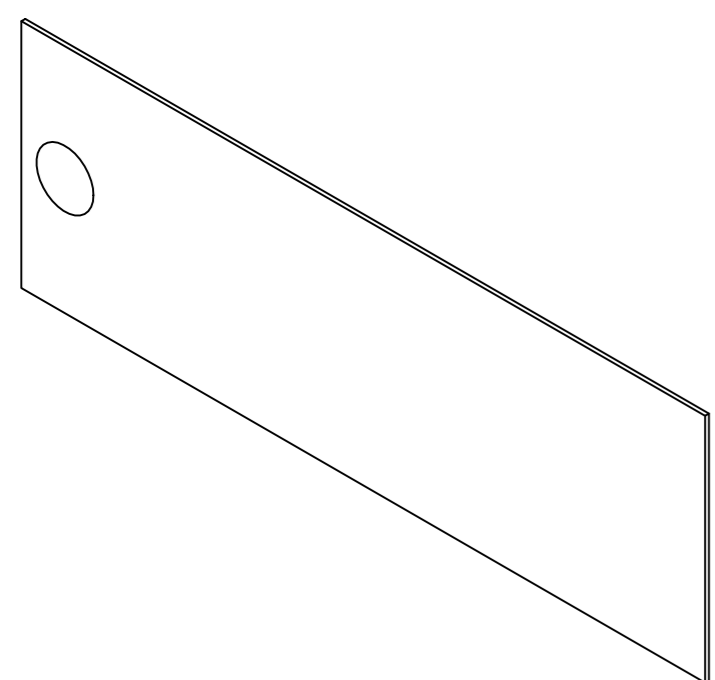
21x1



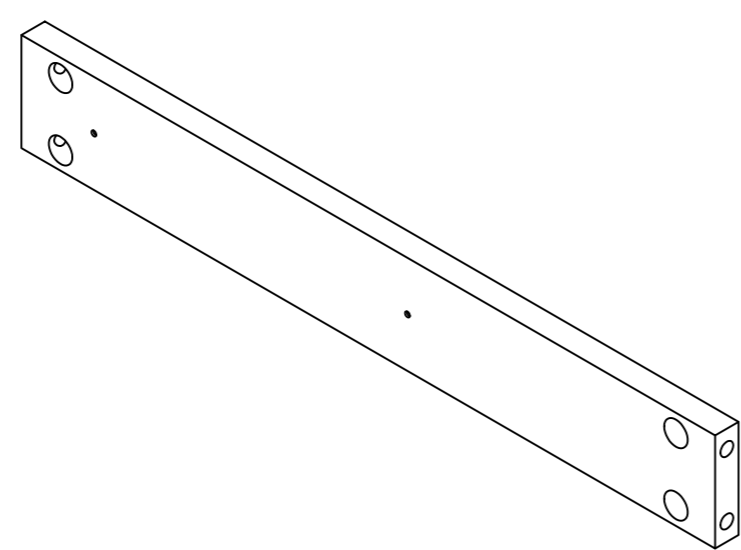
22x1



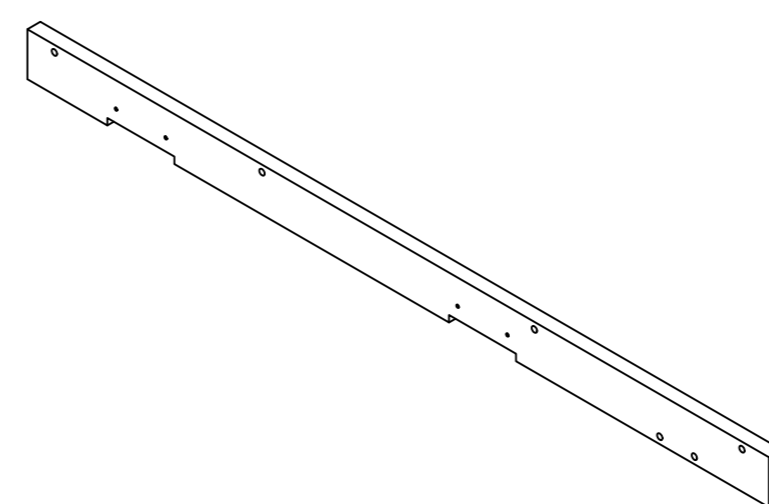
23-Ax1



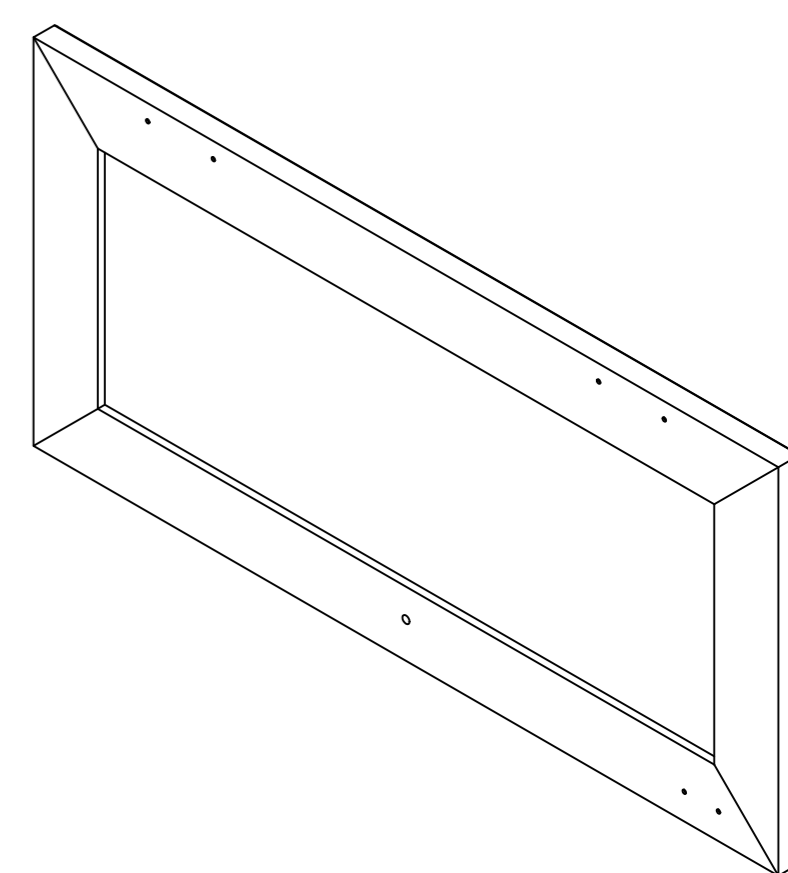
23-Bx1



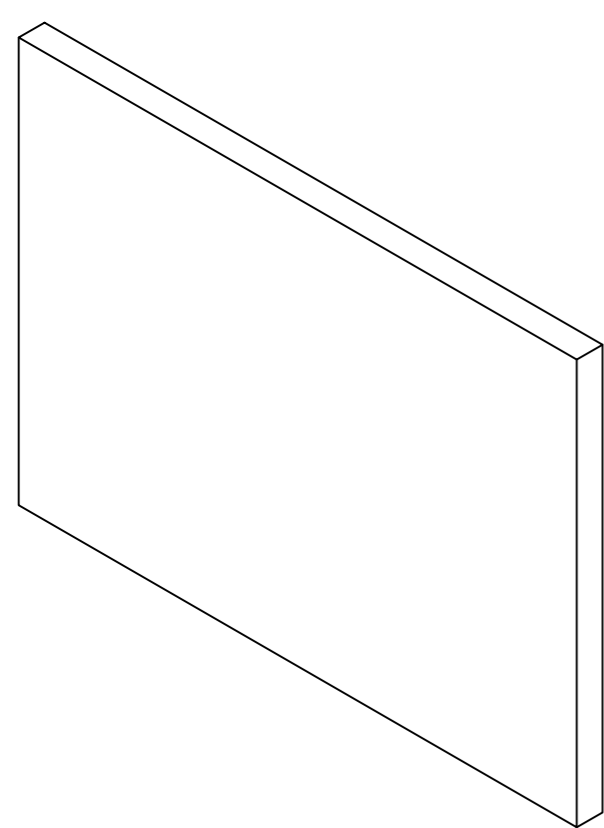
24x2



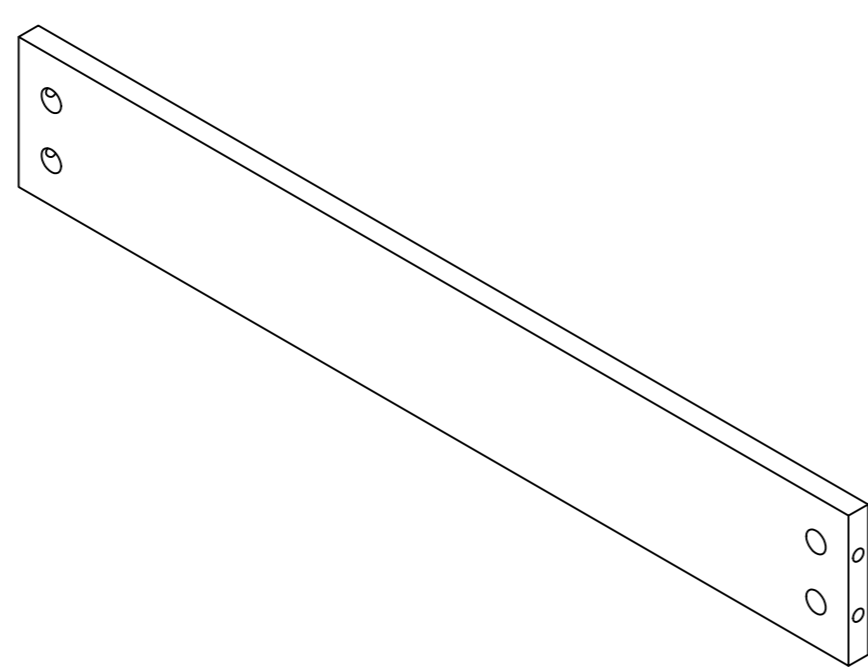
25x1



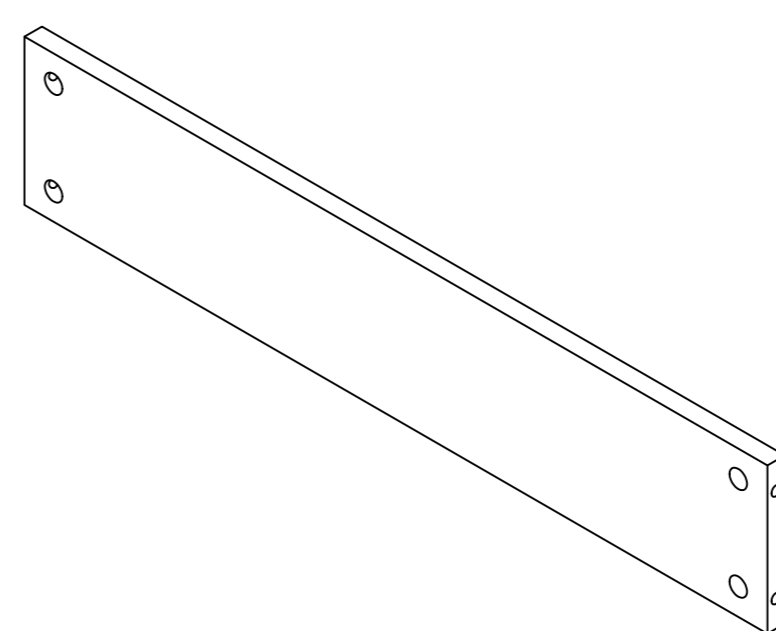
26x1



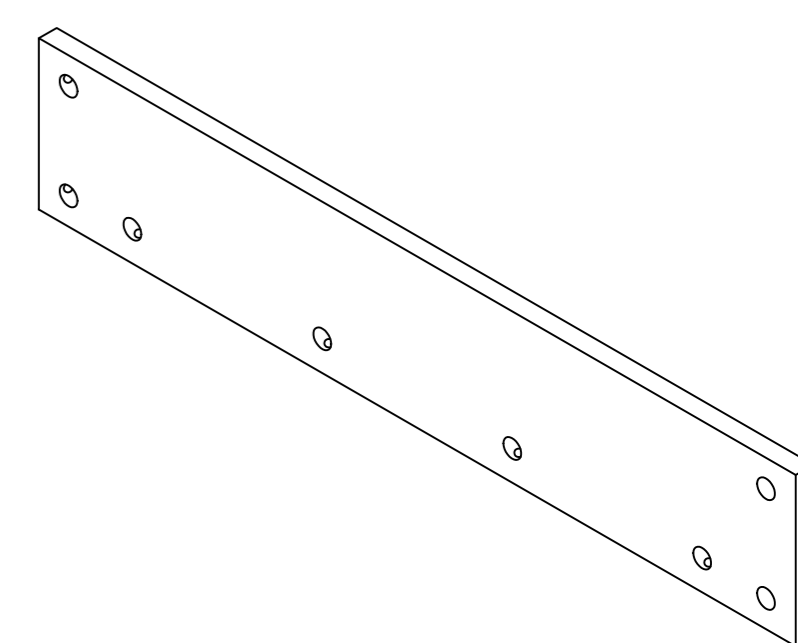
27x1



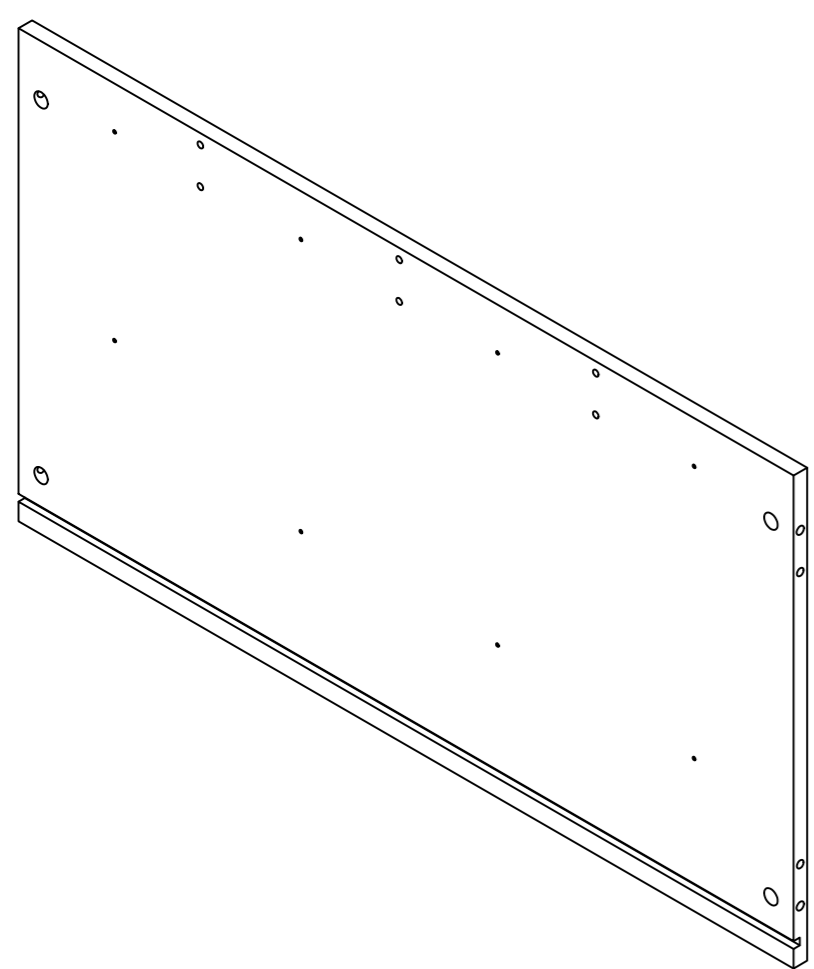
28x1



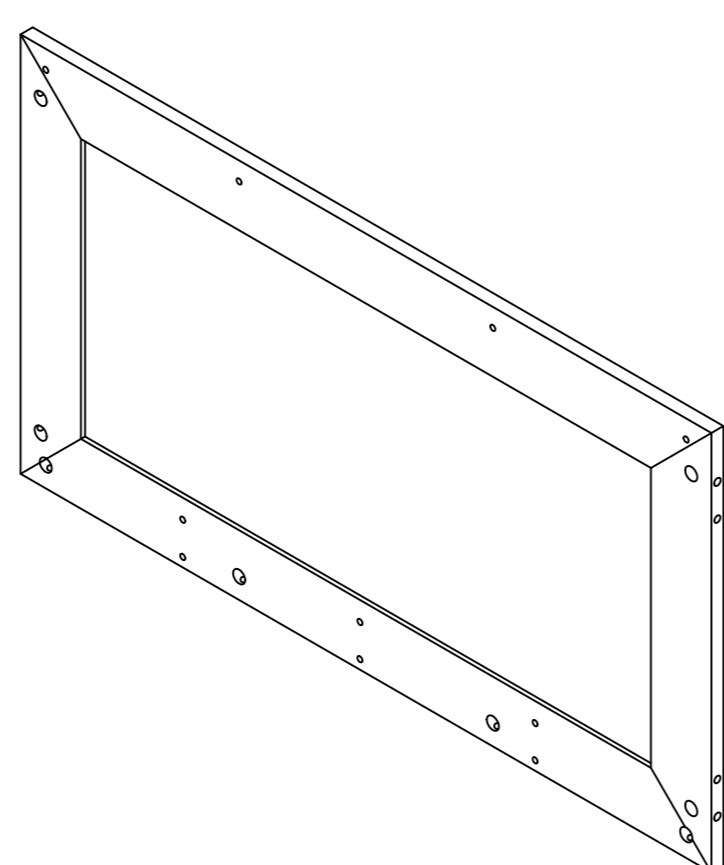
29x1



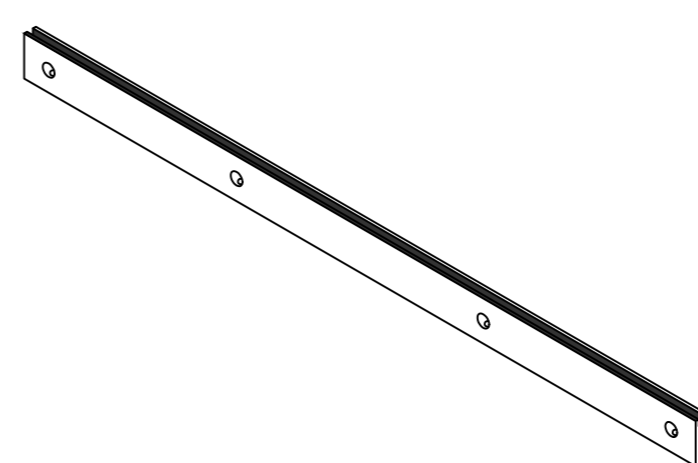
30x1



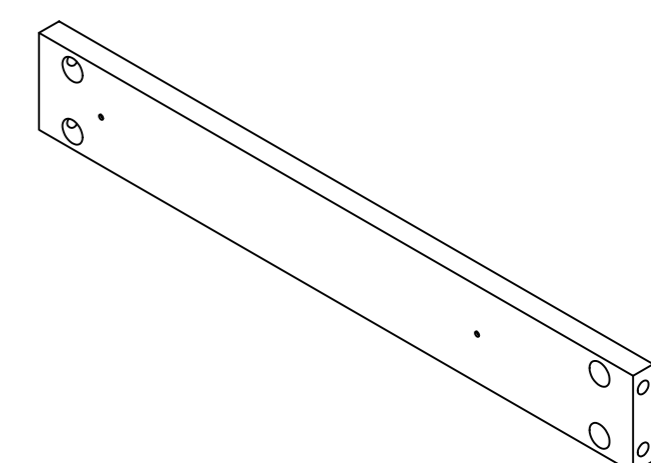
31x1



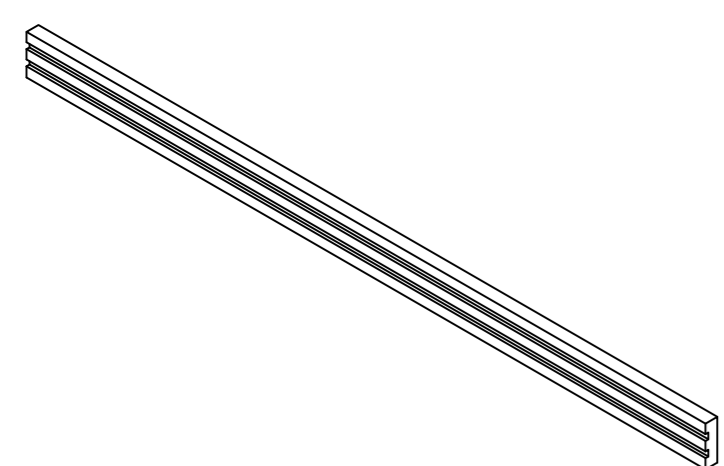
32x1



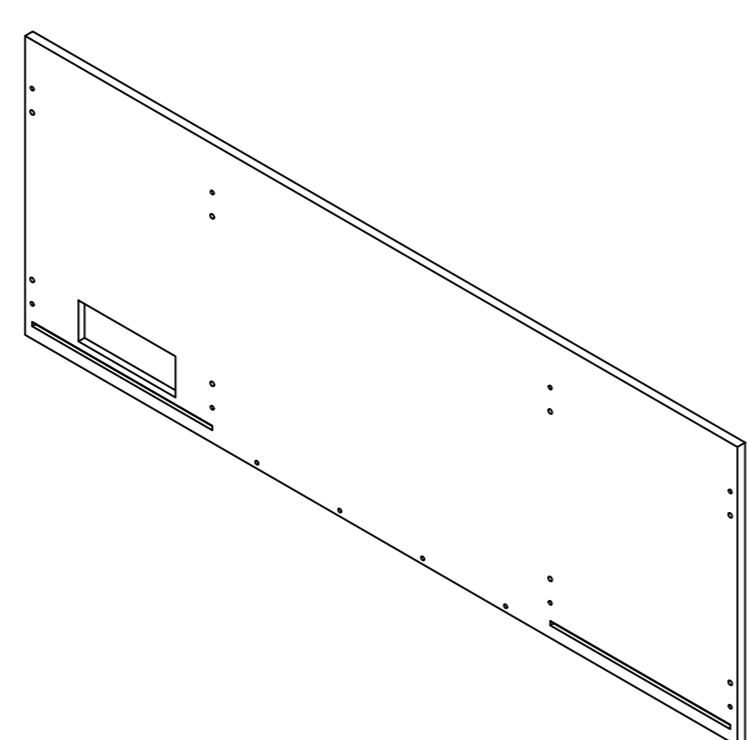
33x1



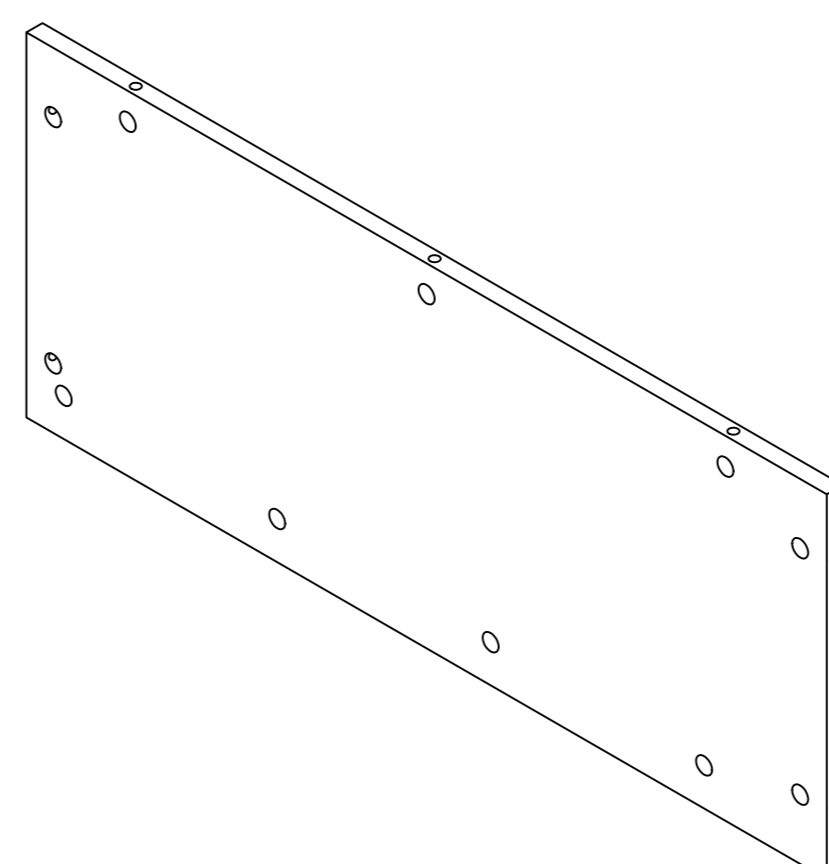
34x3



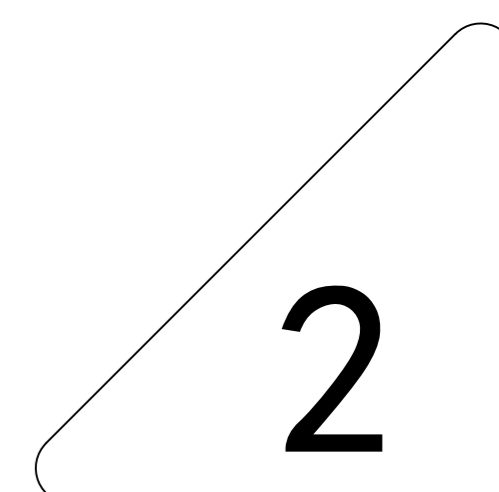
35x1



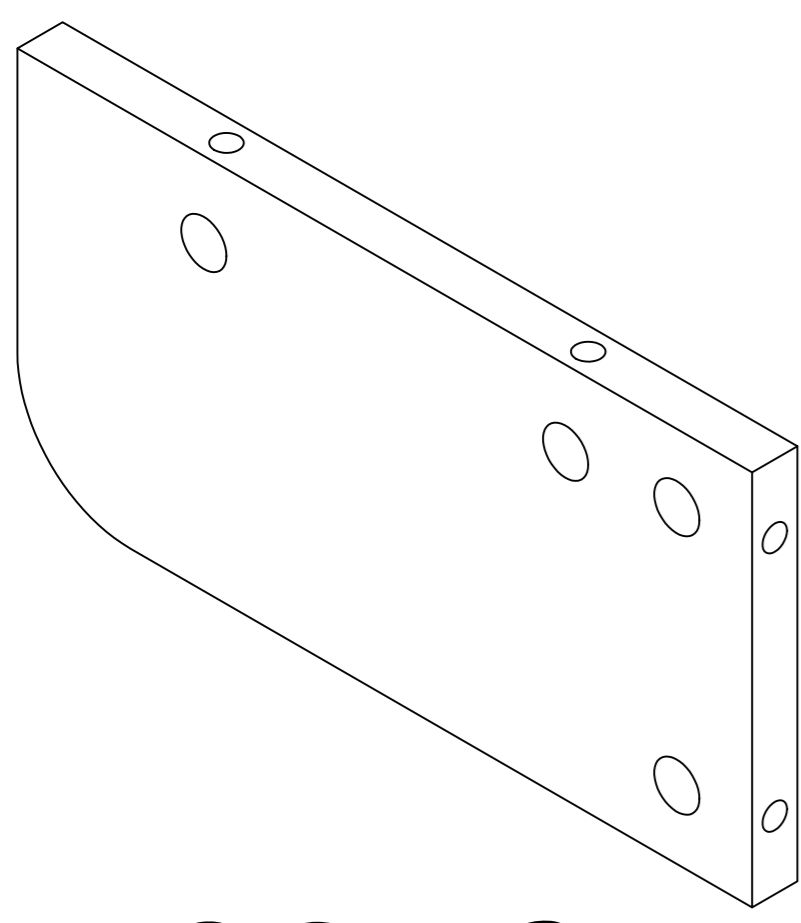
36x1



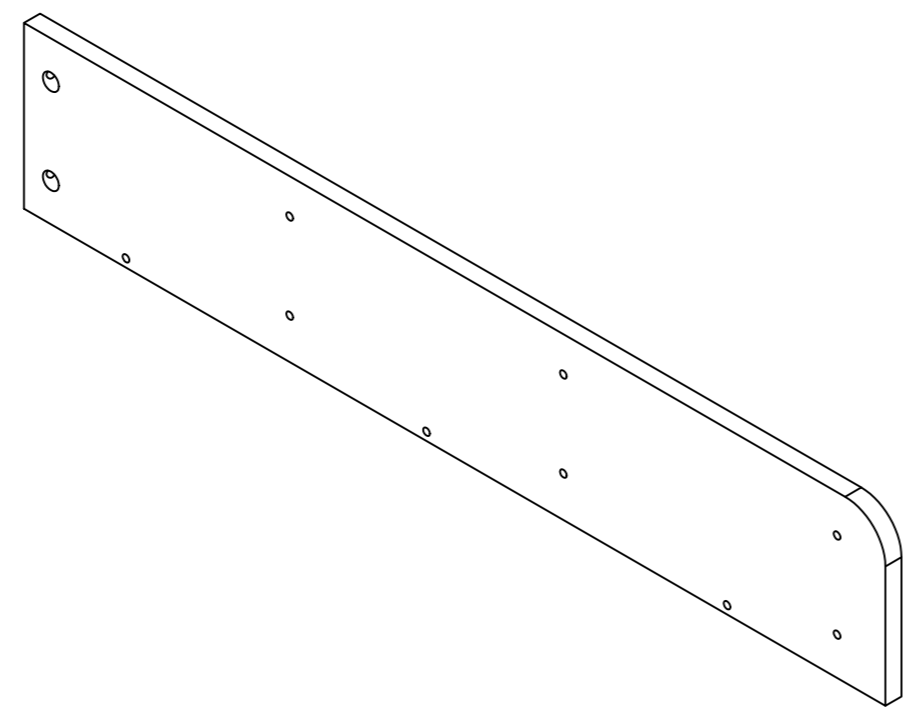
37x1



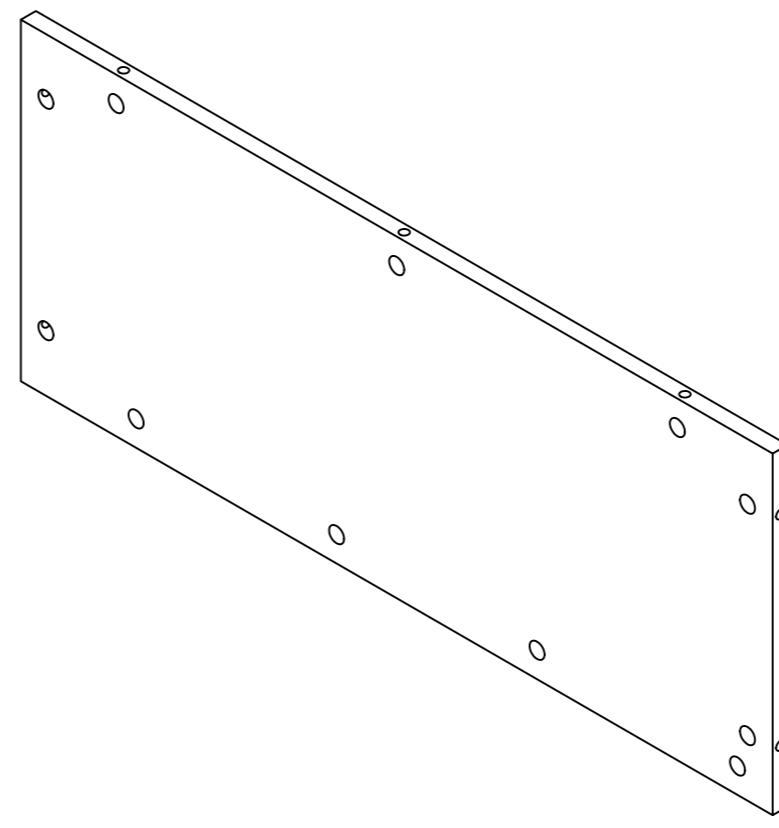
2



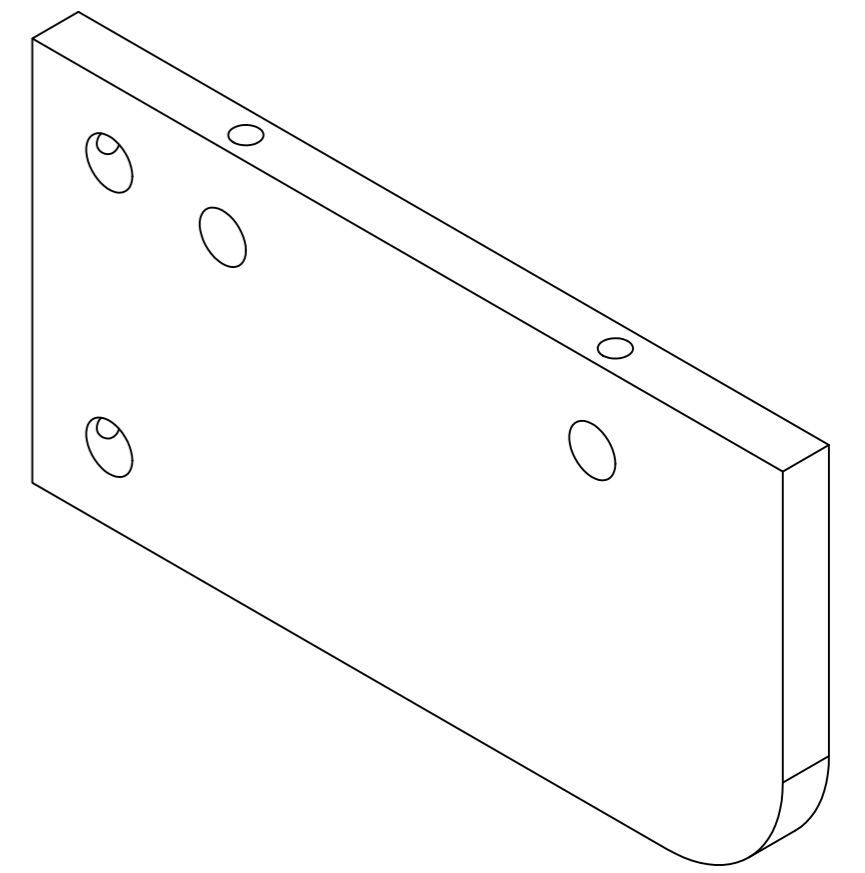
38x2



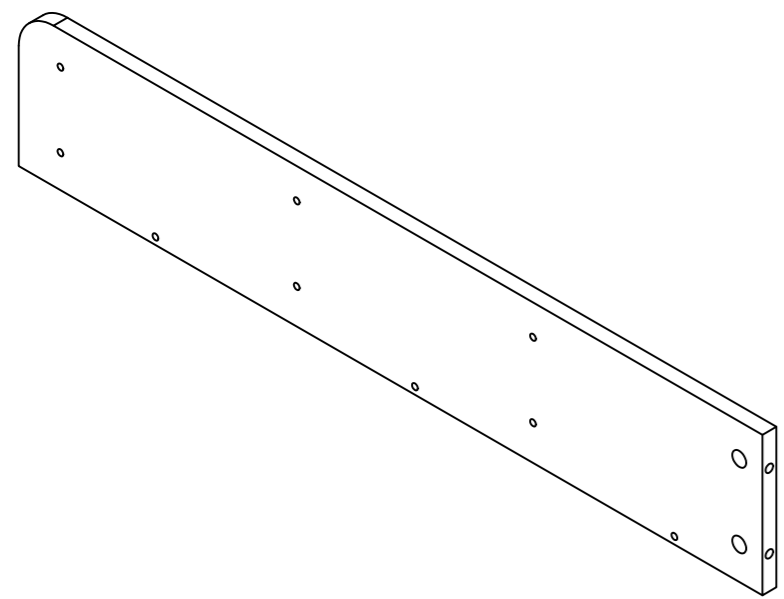
39x1



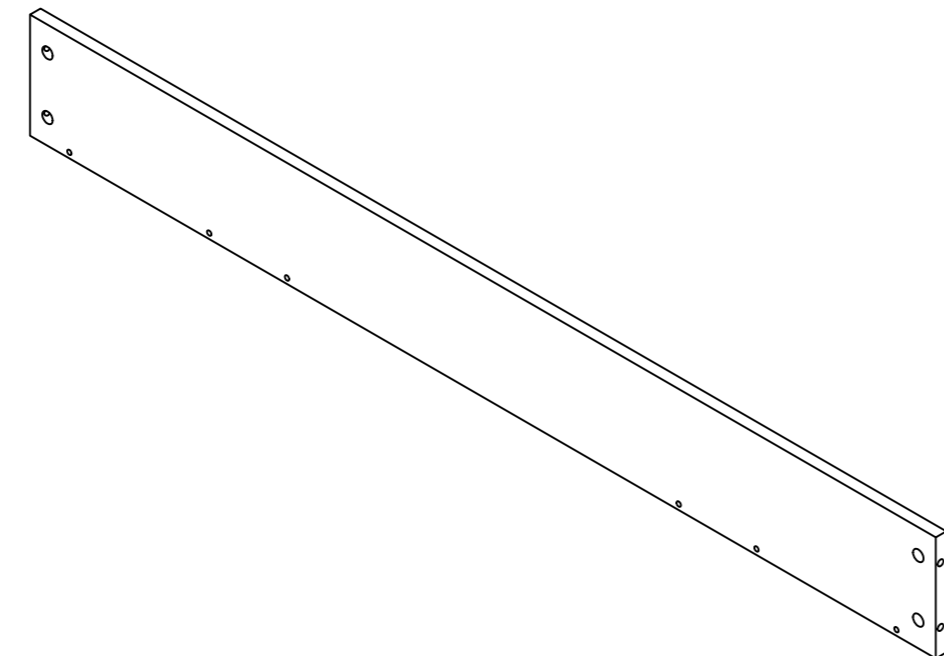
40x1



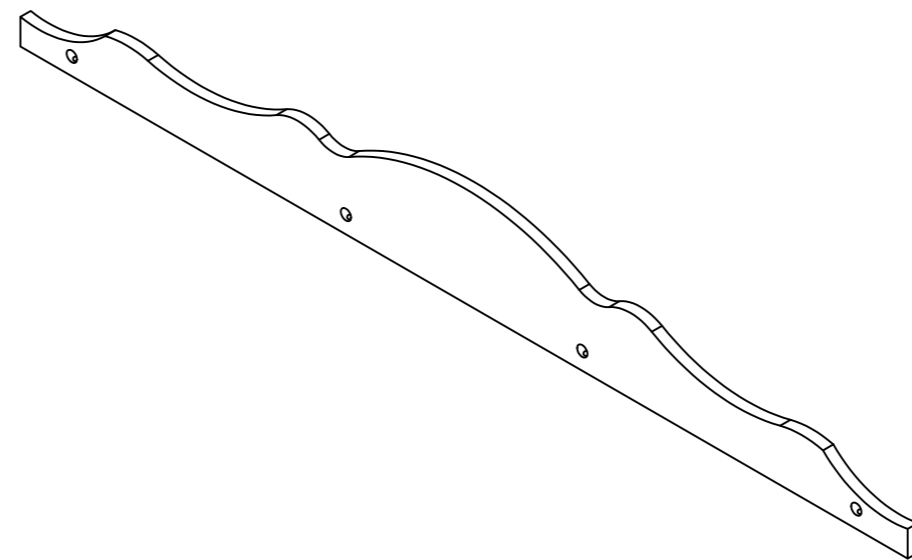
41x2



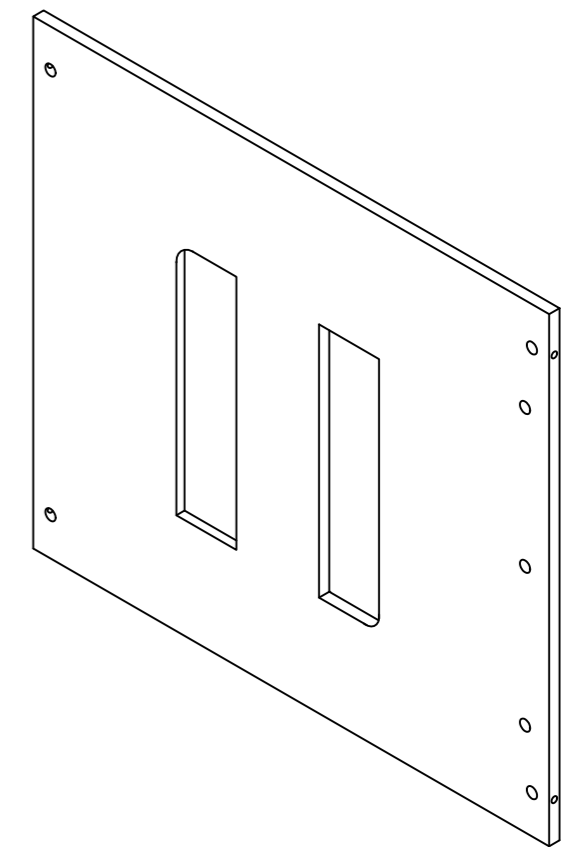
42x1



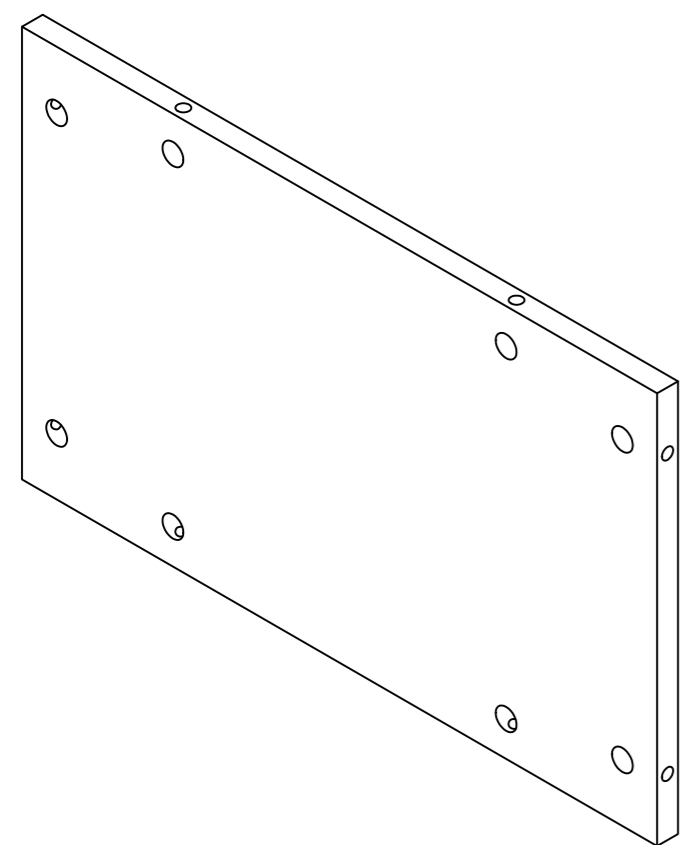
43x1



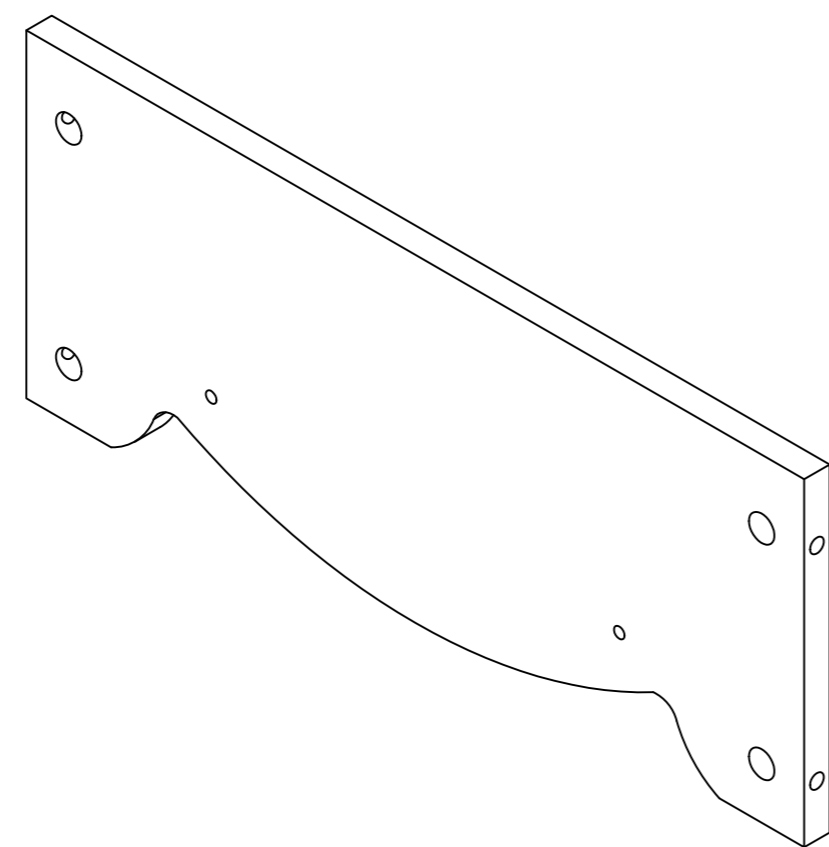
44x1



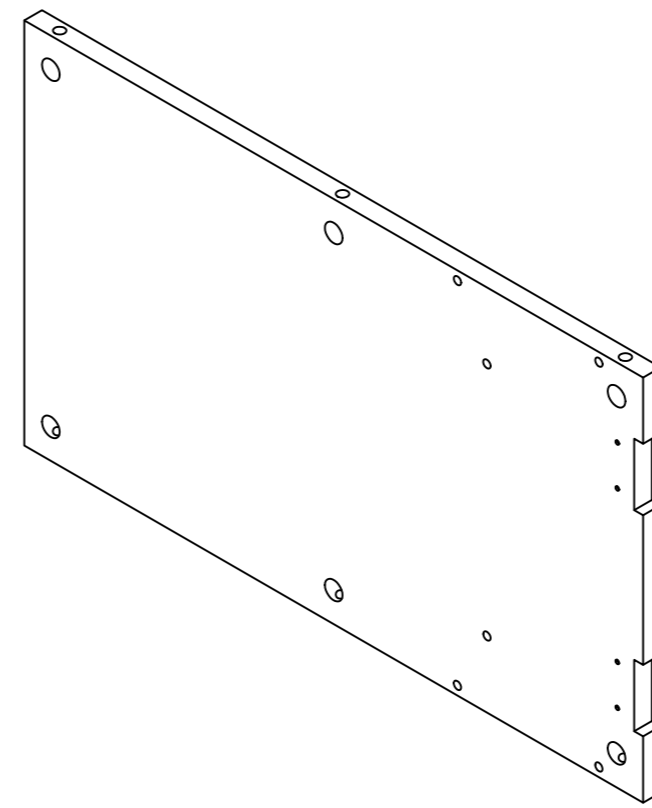
45x1



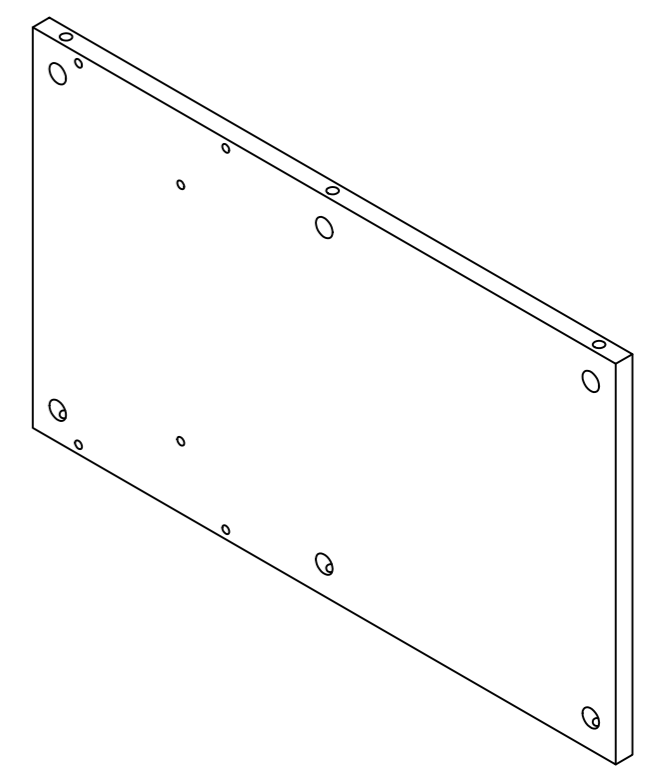
46x1



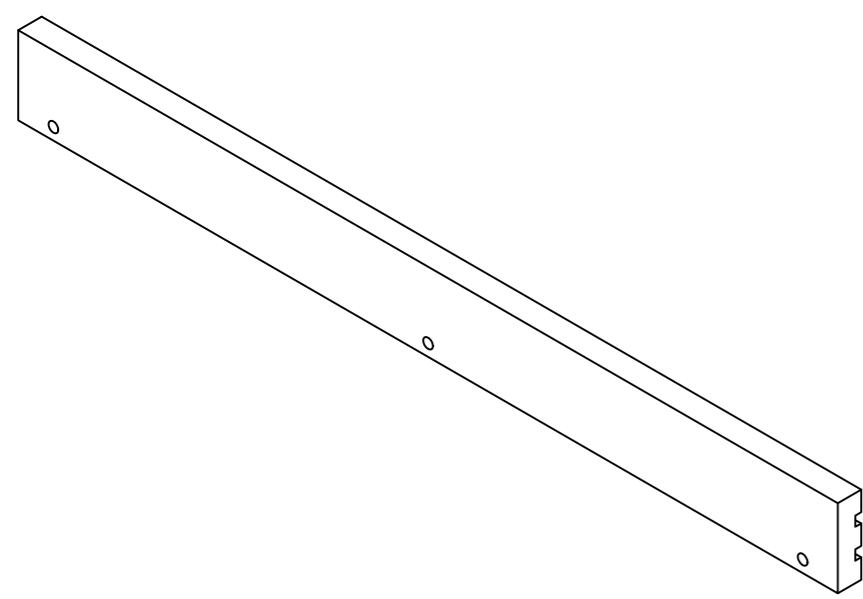
47x2



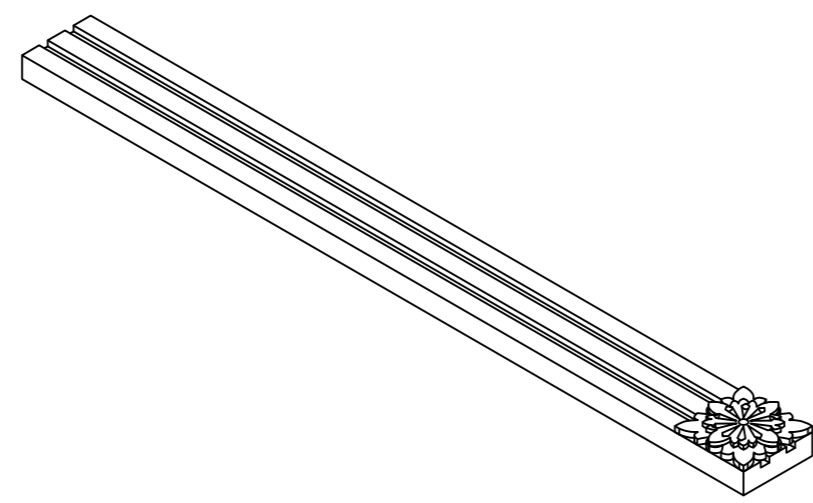
48x1



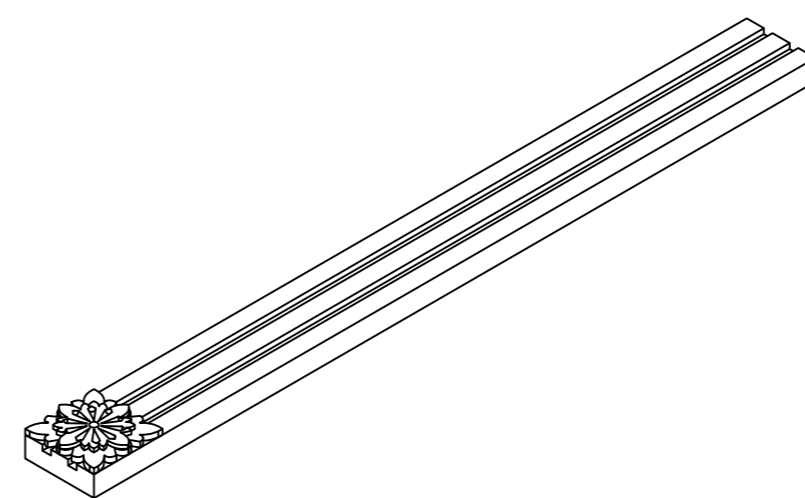
49x1



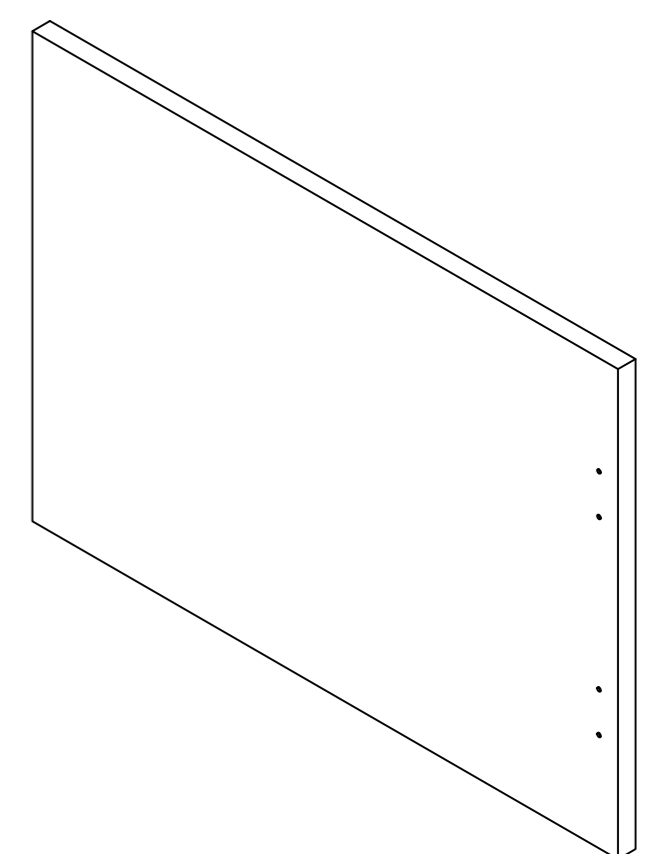
50-Ax2



50-Bx1



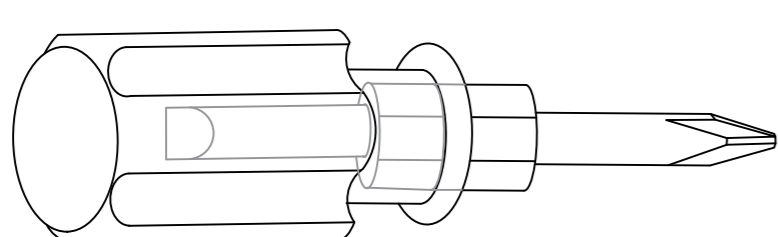
50-Cx1



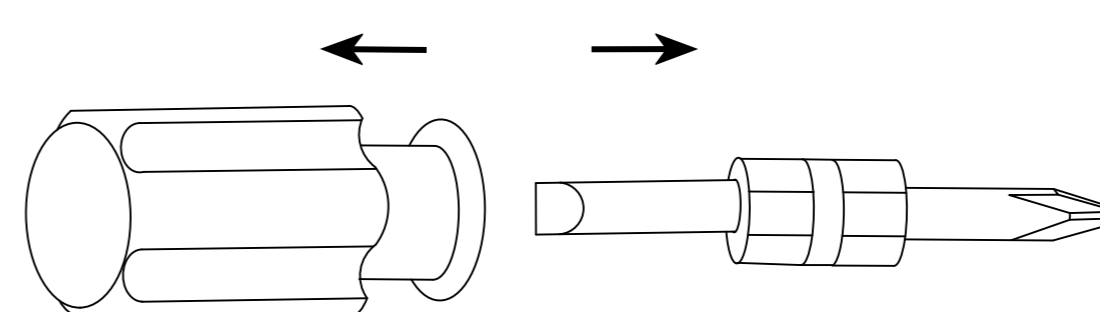
51x1

Accessories list

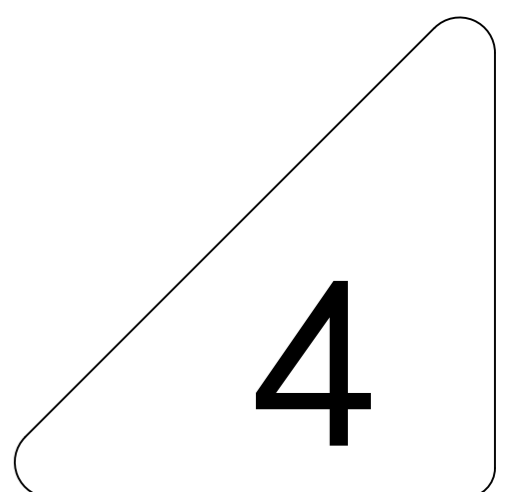
A		Two In One Screw (6x28mm)	230pcs +6pcs
B		Two In One Nut (10x12mm)	230pcs +6pcs
C		Wood Chipping (6x30mm)	16pcs +2pcs
D		Screw & Guide(24cm) (3x12mm)	12pcs / 72pcs +4pcs
E		Handle & Screw (4x8mm)	6pcs / 12pcs +2pcs
F		Non-slip pads	12pcs +2pcs
G		Hinge & Screw (3.5x12mm)	2pcs / 12pcs +2pcs
H		Fixing clip & screw (3x16mm)	8pcs +2pcs
I		Handle & Screw (4x16mm)	1pcs / 1pcs +1pcs
J		Door Magnet & Scre & wiron Sheet (3x10mm)	1pcs / 1pcs / 4pcs +1pcs
K		Laminate support nail	4pcs +1pcs
L		Power Socket & Screw (3x10mm)	1pcs / 2pcs +1pcs
M		Power cord extension cord&Light Bulb	11pcs / 1pcs
N		Wire Clamp	10pcs
O		Hinge & Screw (3.5x12mm)	2pcs / 8pcs +2pcs
P		Screw (3.5x12mm) anti-tipping tape gasket	1pcs
Q		Screw Countersunk head tapping	1pcs



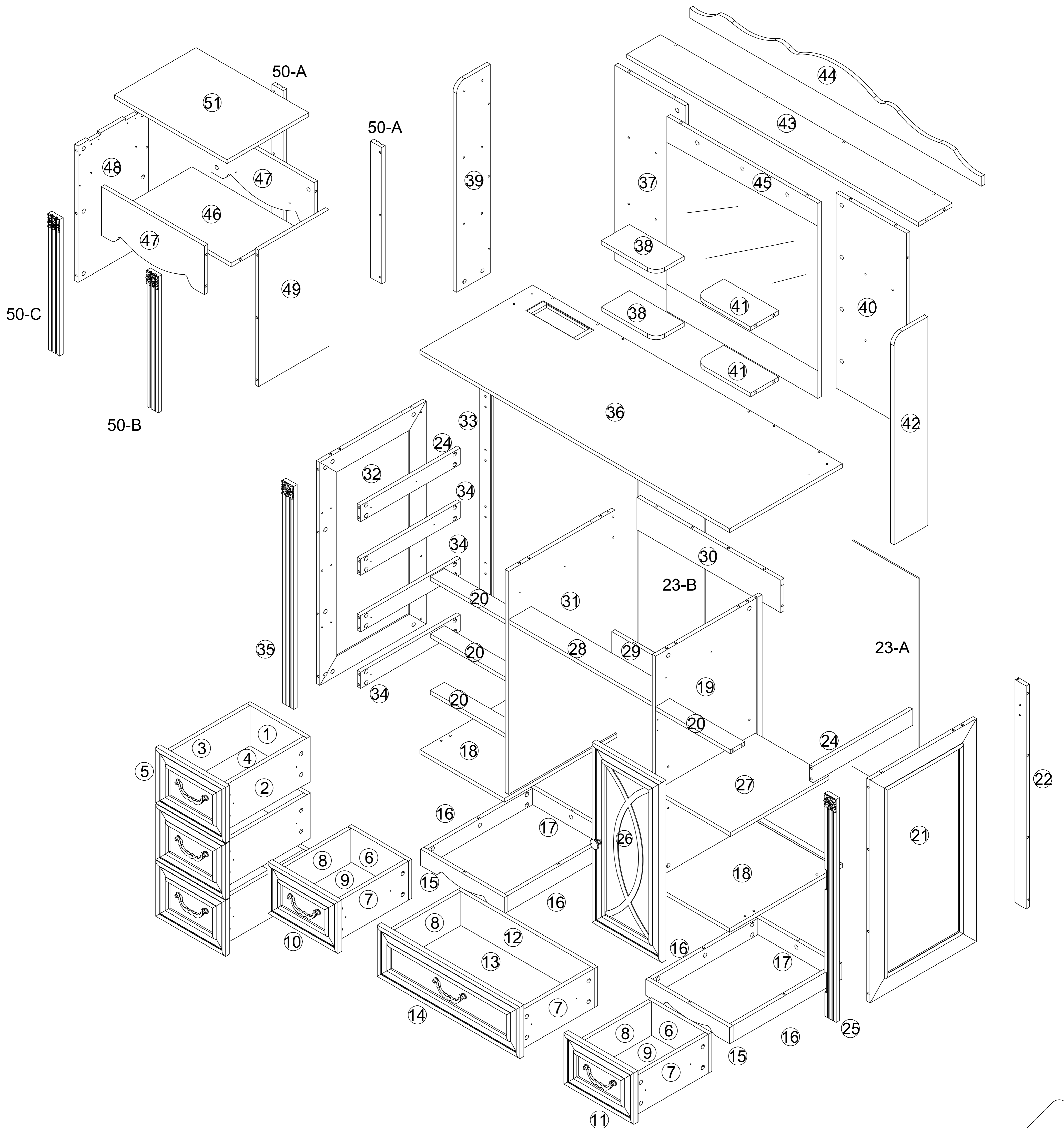
1pcs



Double-head screwdriver, use as required

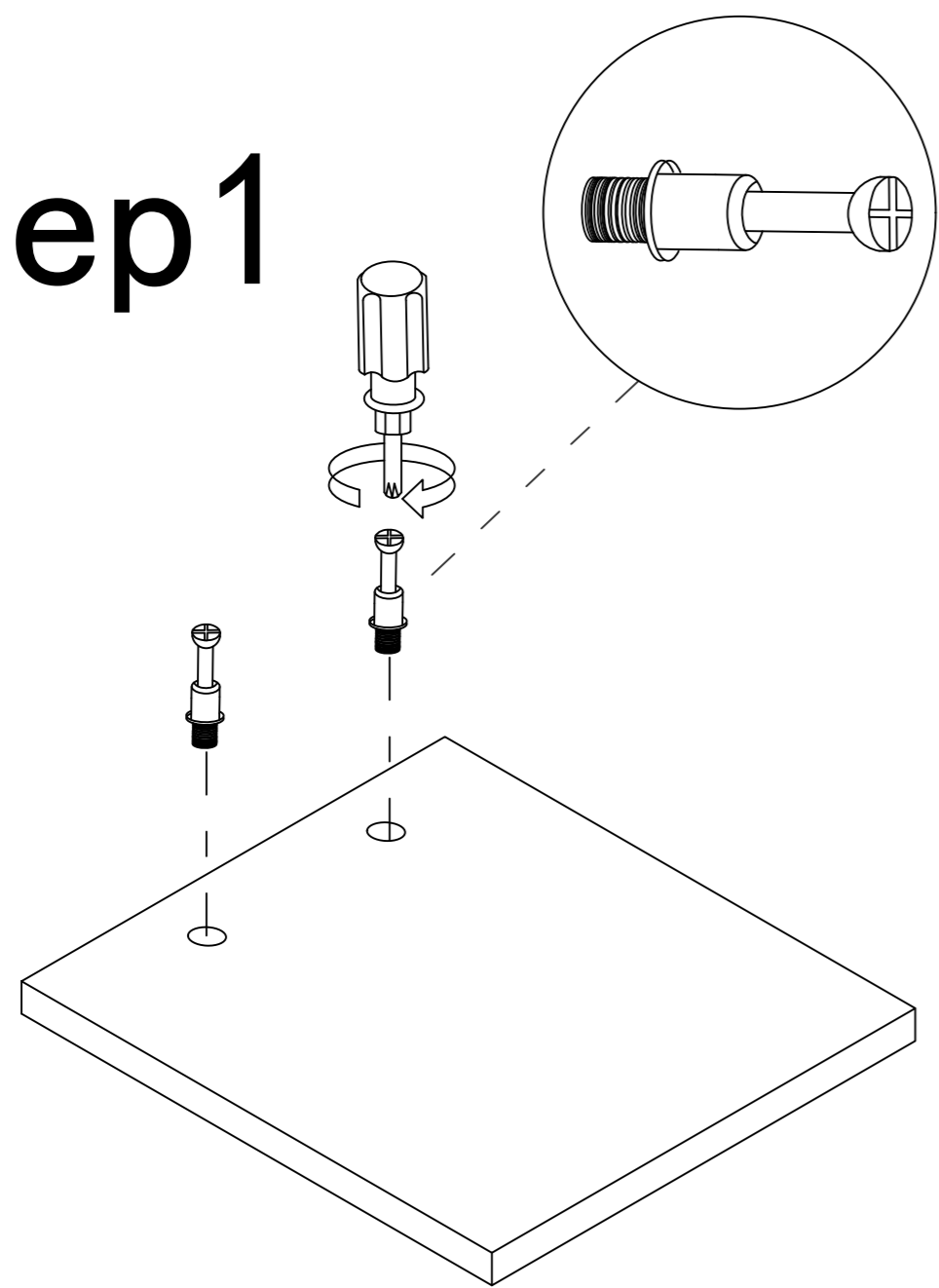


Product Explosion diagram

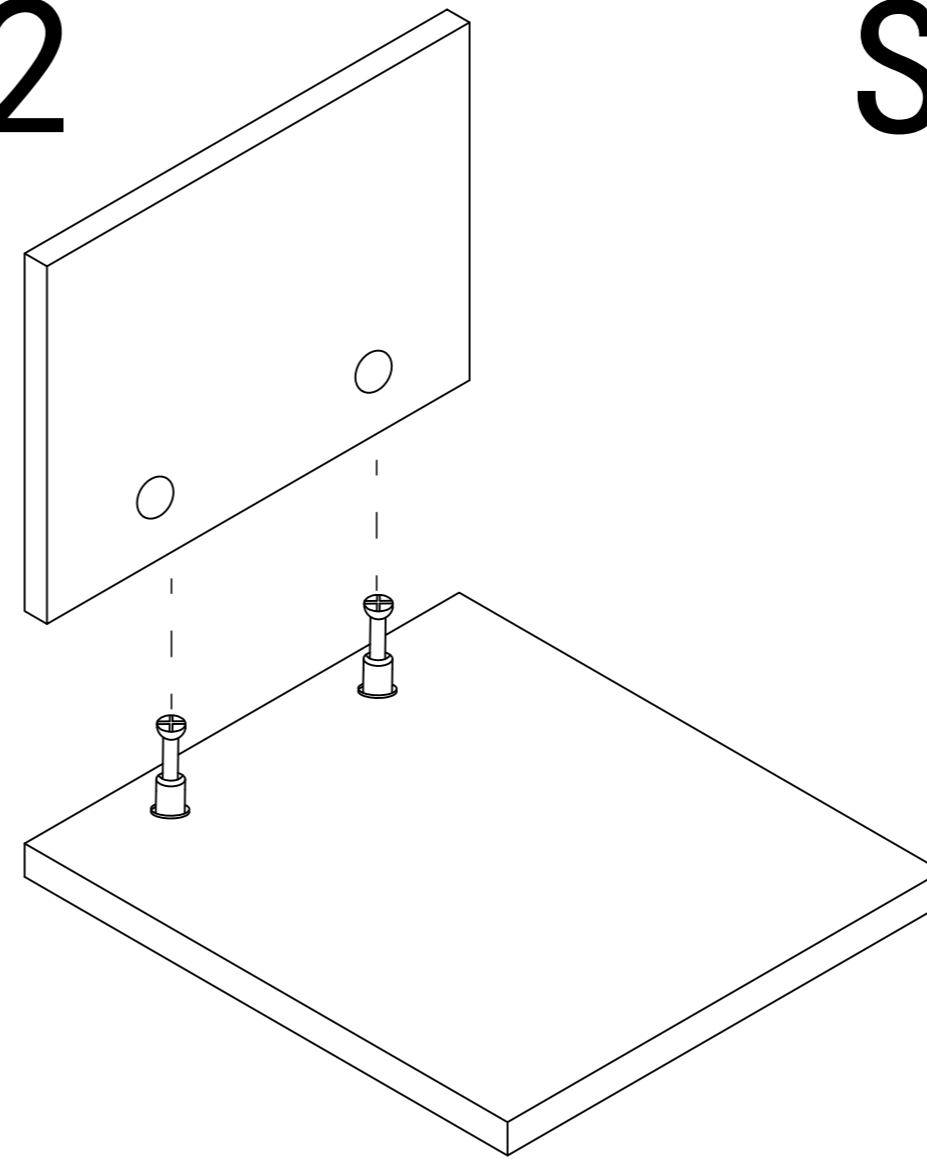


Use parts A and B

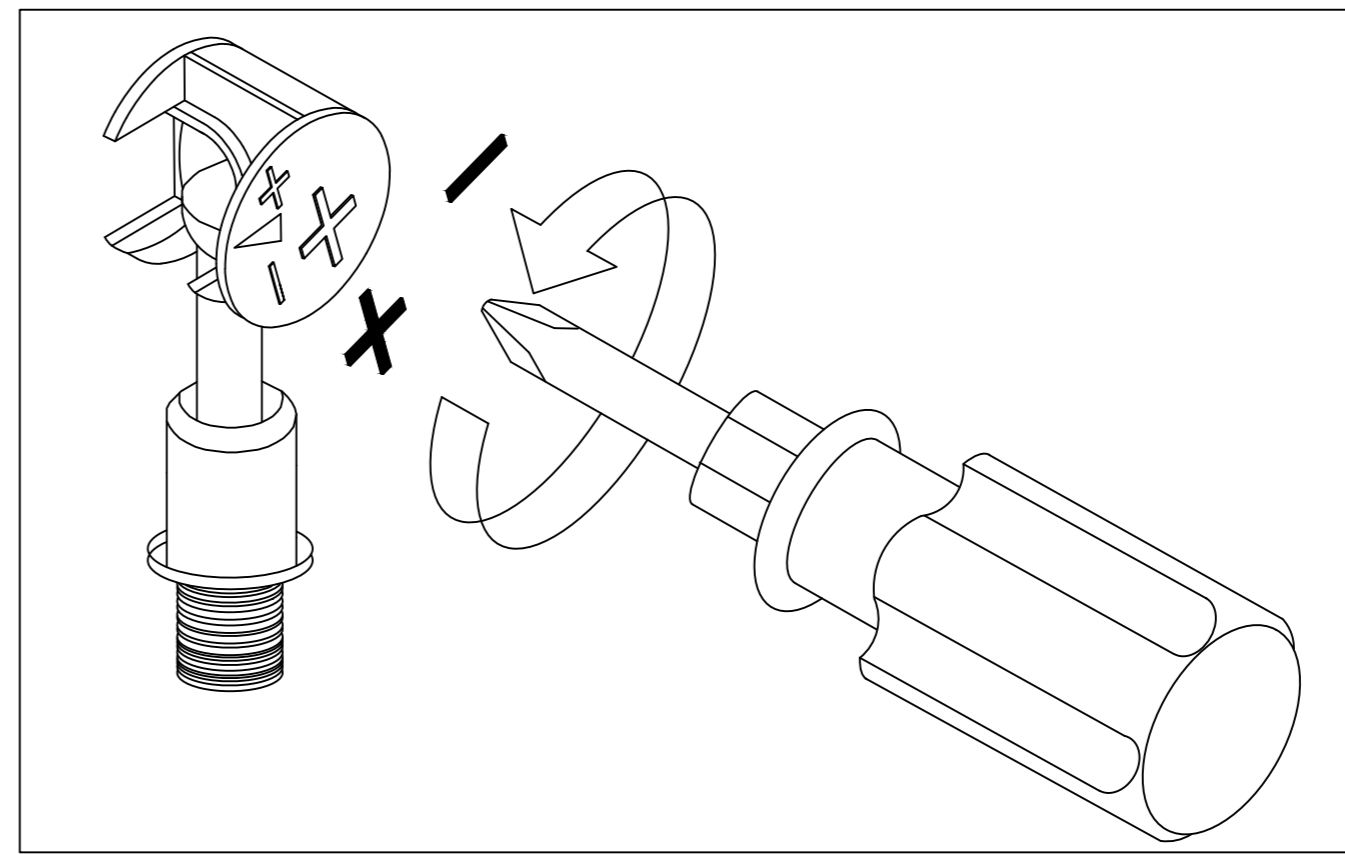
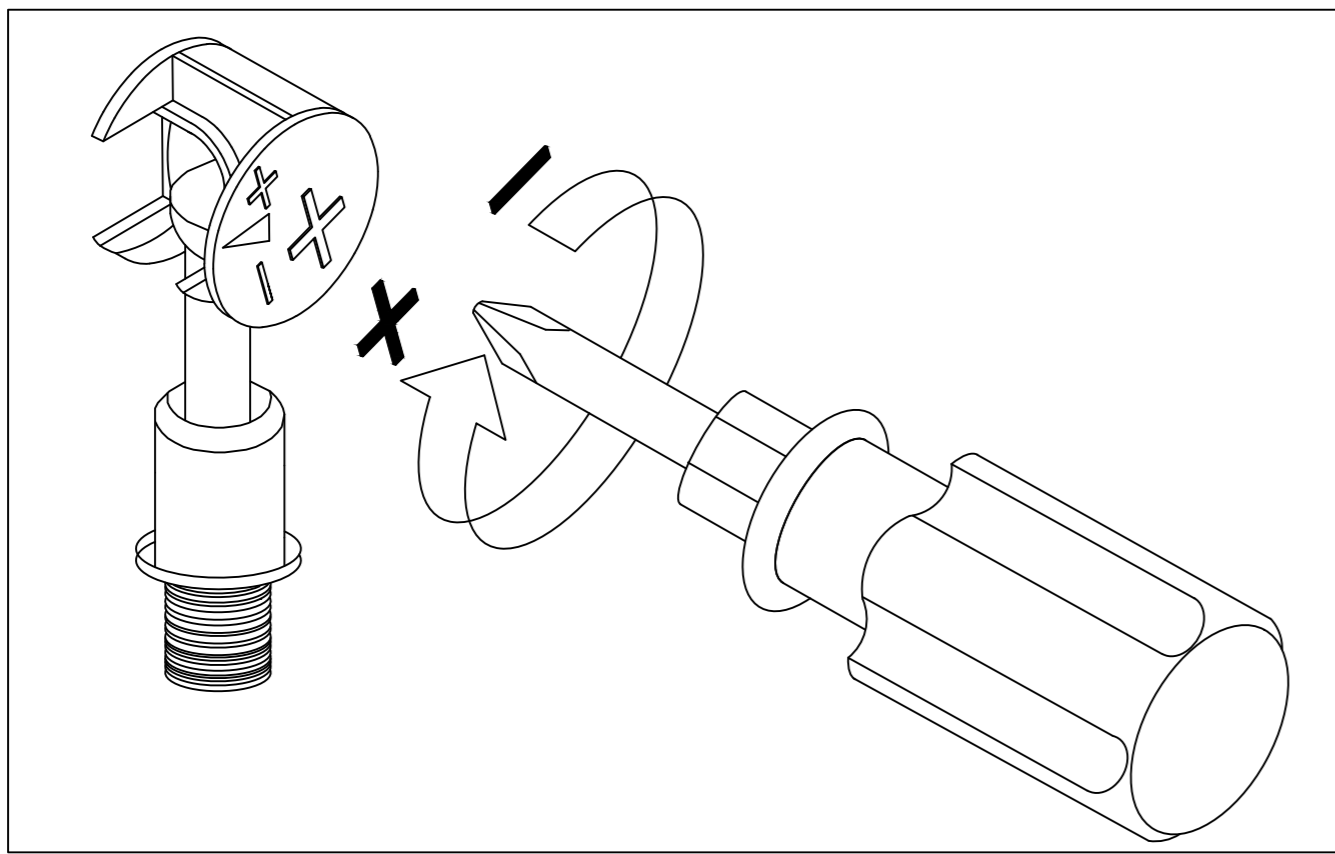
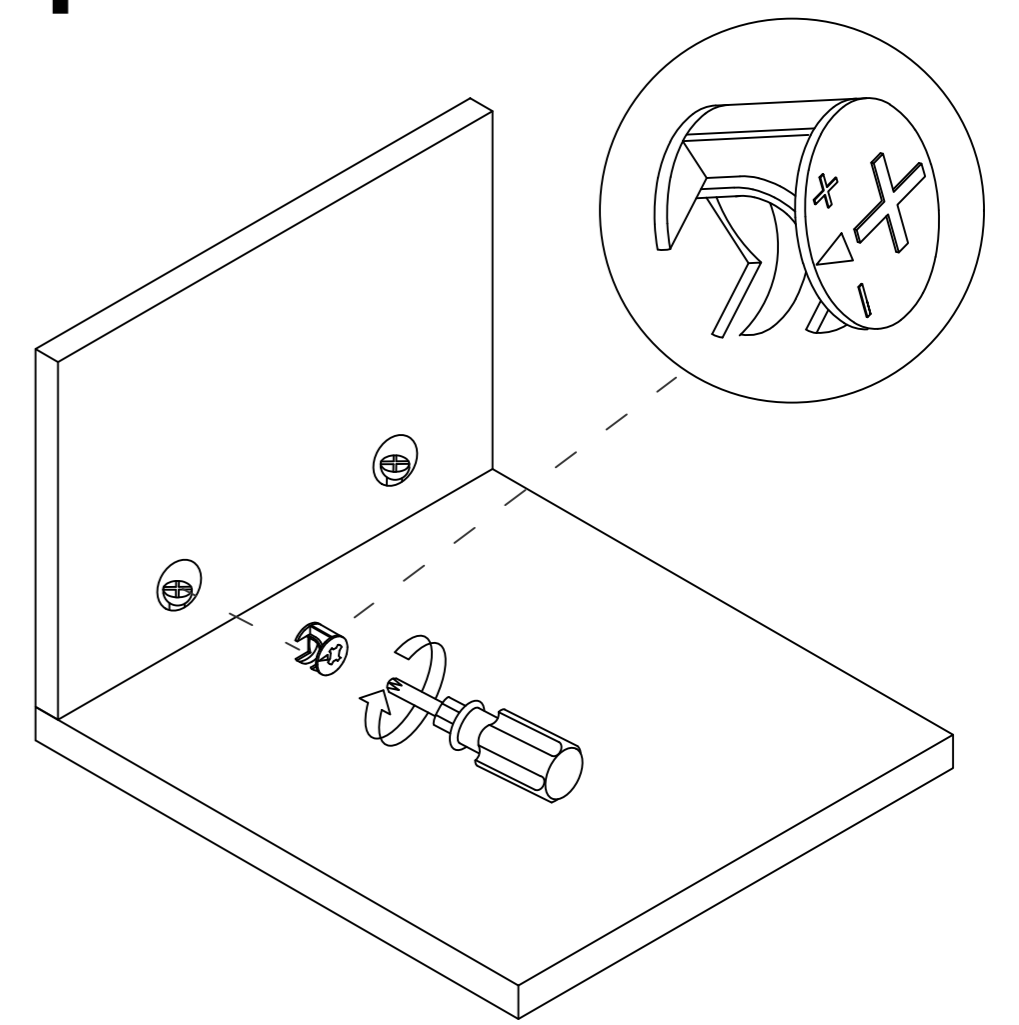
Step 1



Step 2

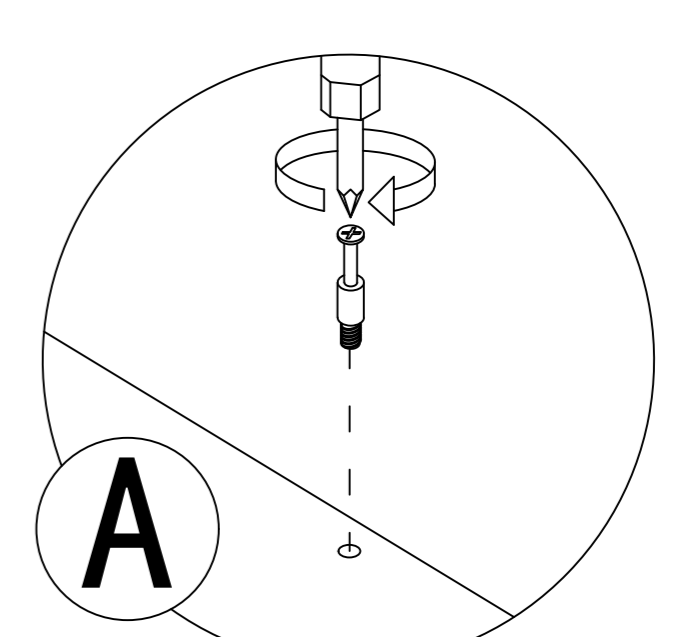
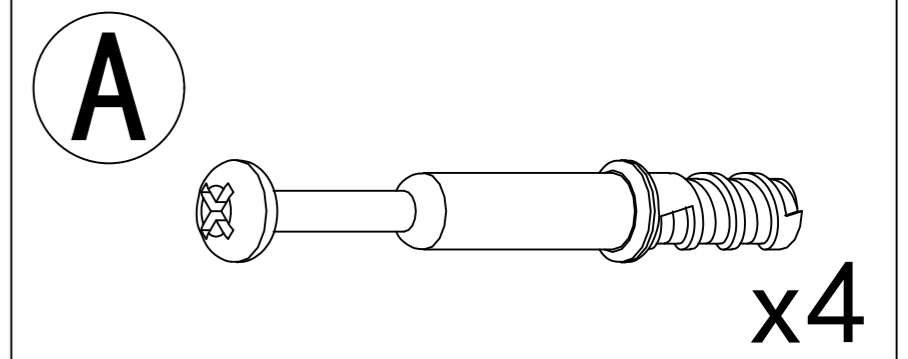
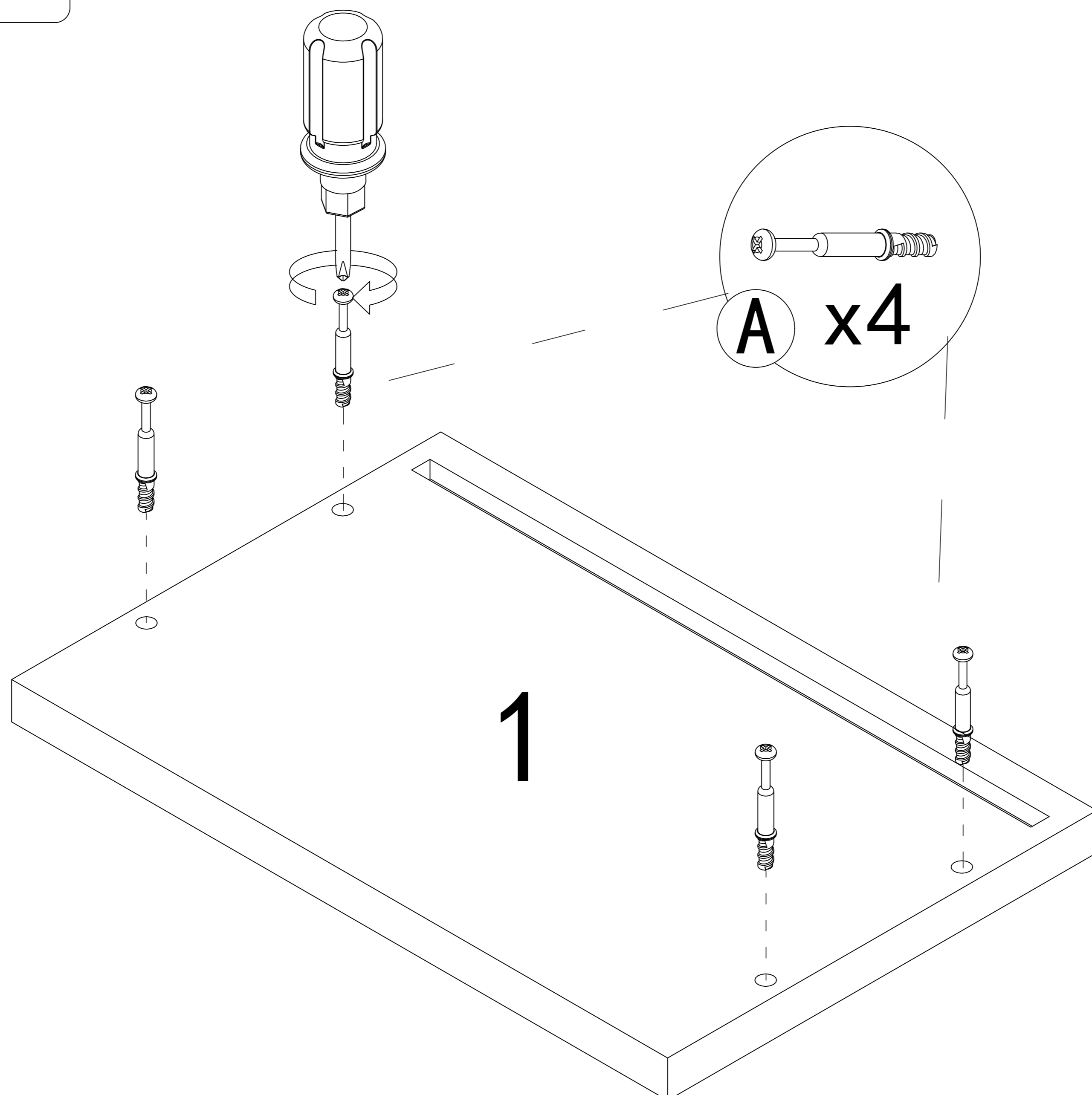


Step 3



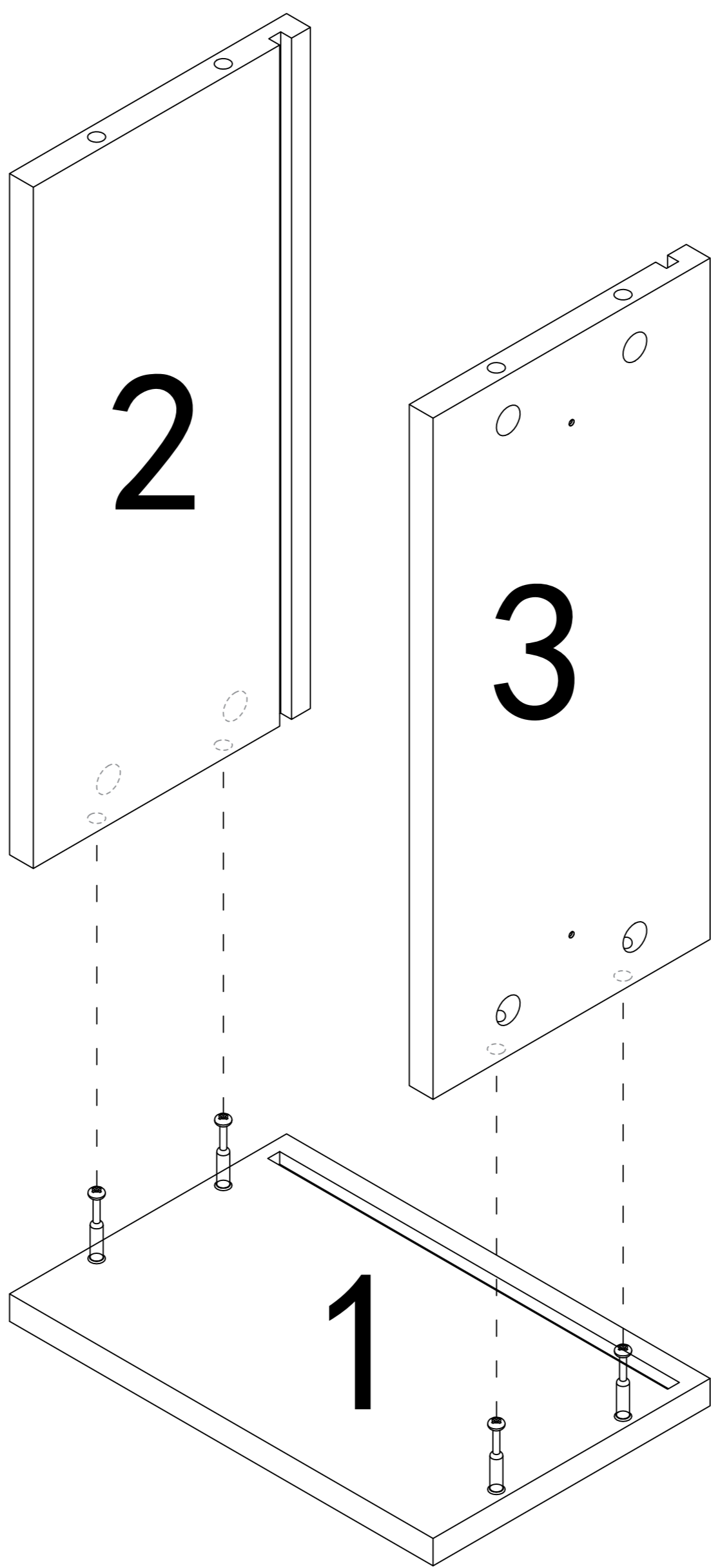
Use a screwdriver to lock in the direction of the "+" sign Disassemble along the direction of "-" sign

Step 1

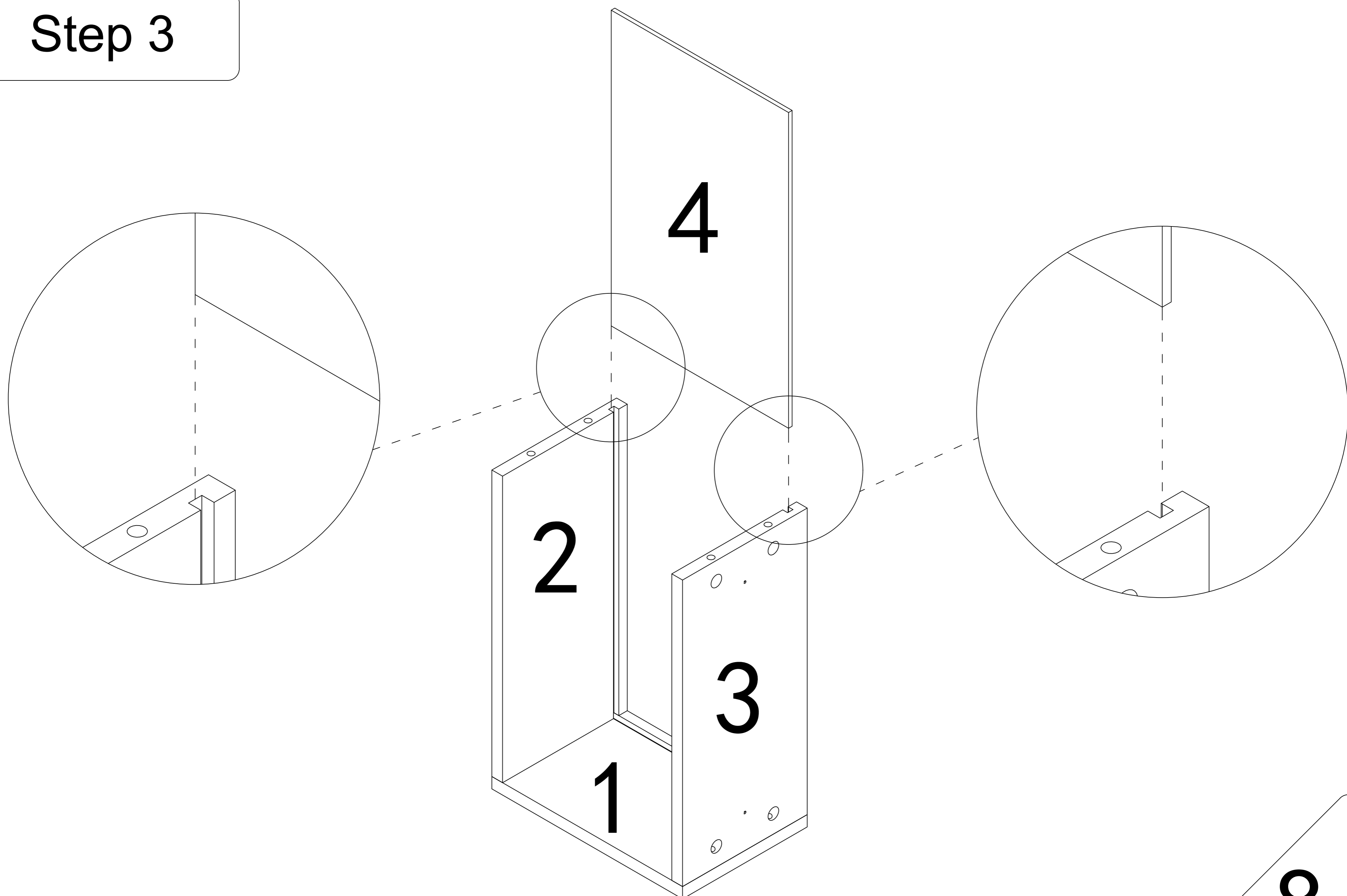


7

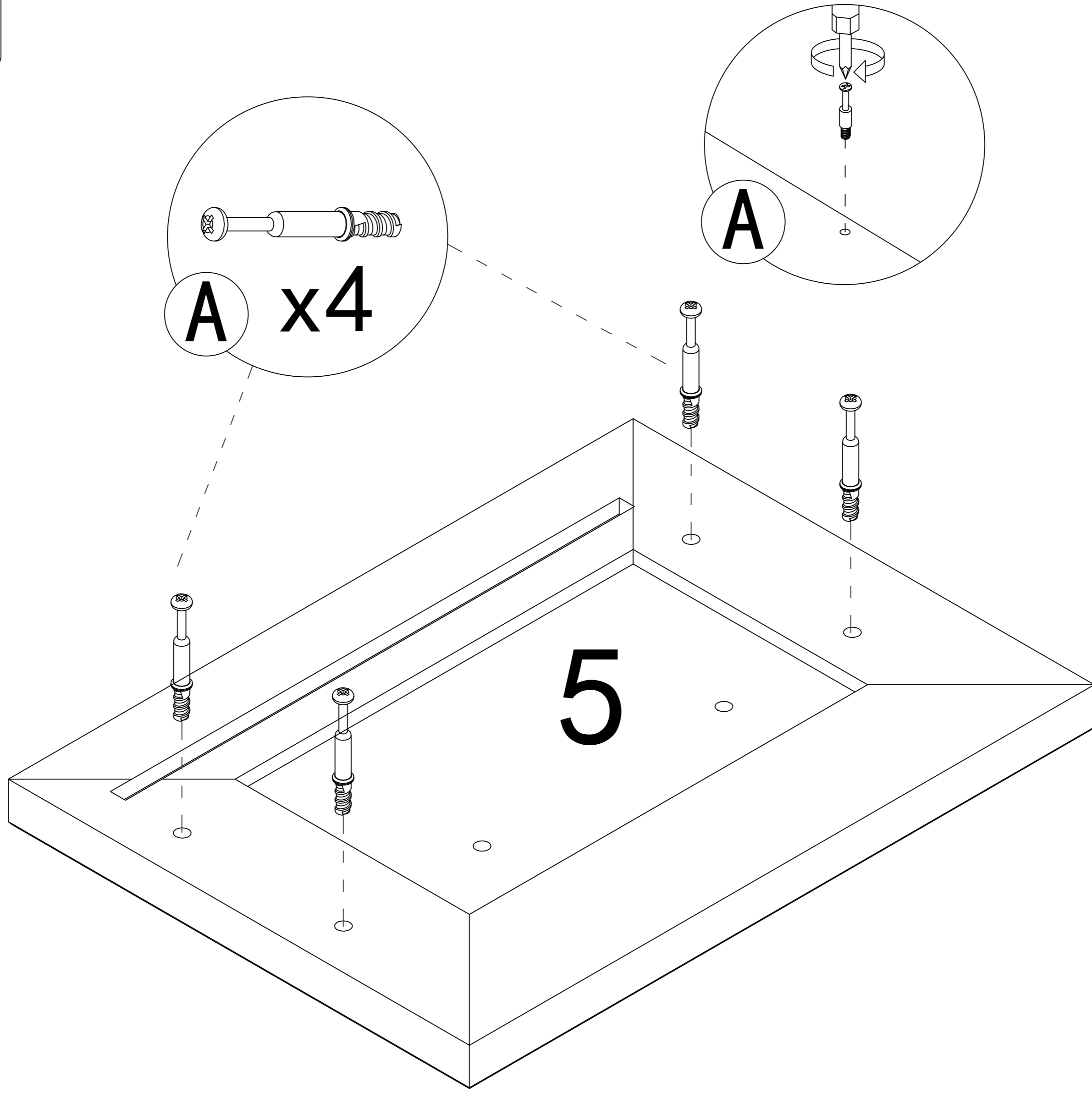
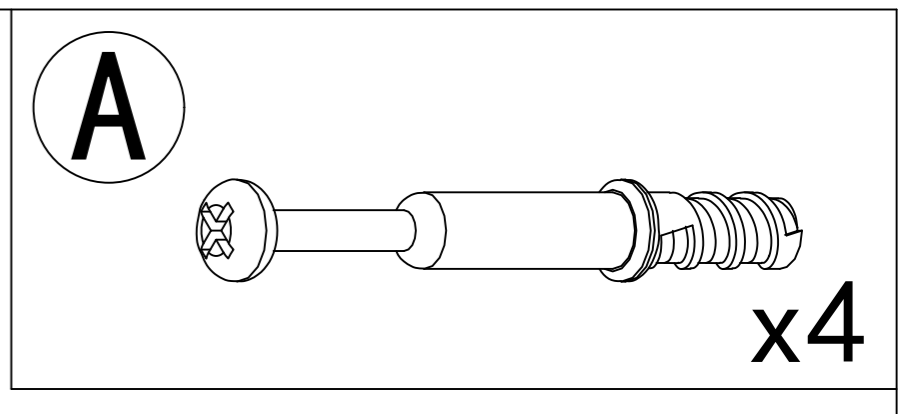
Step 2



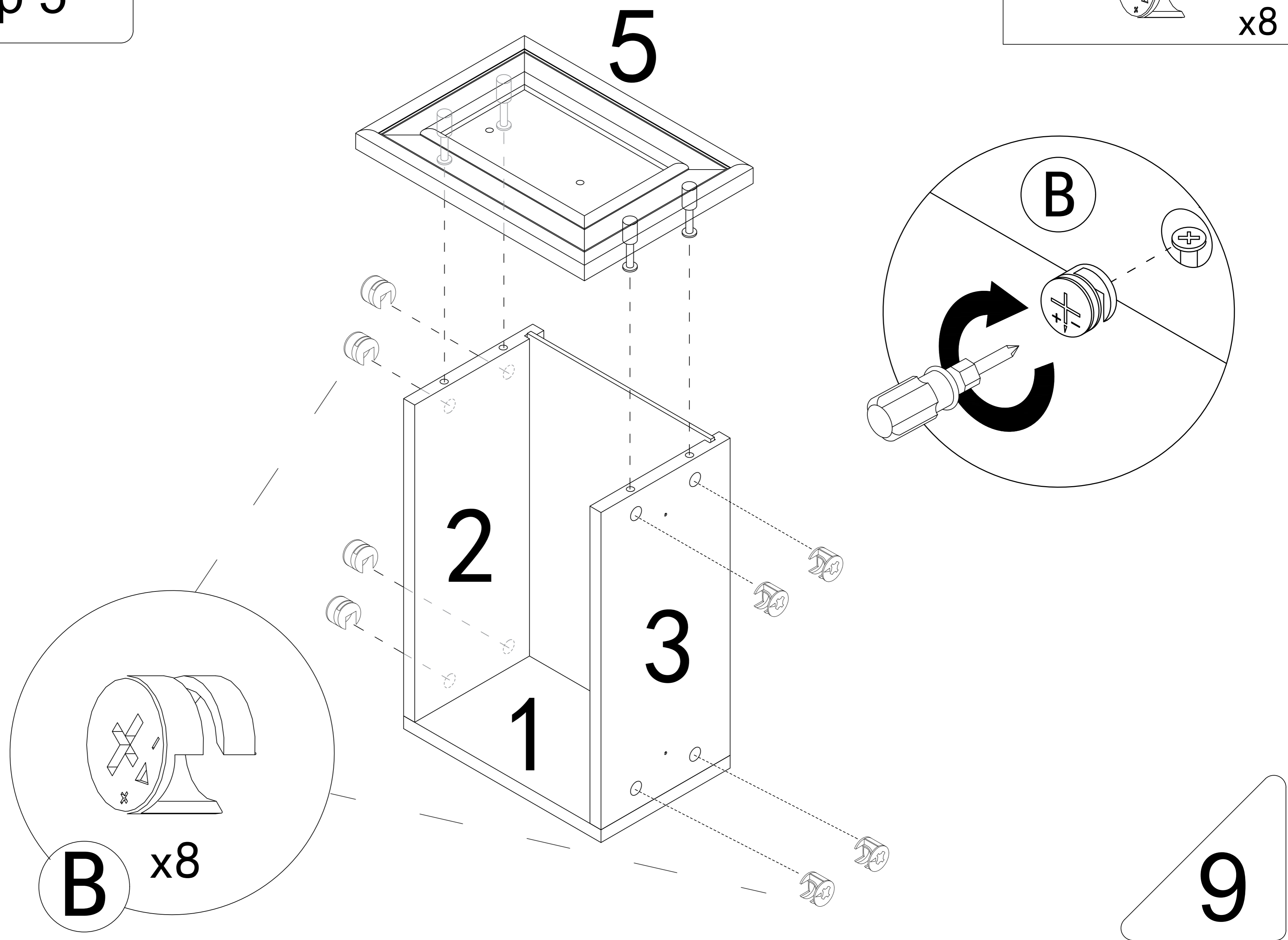
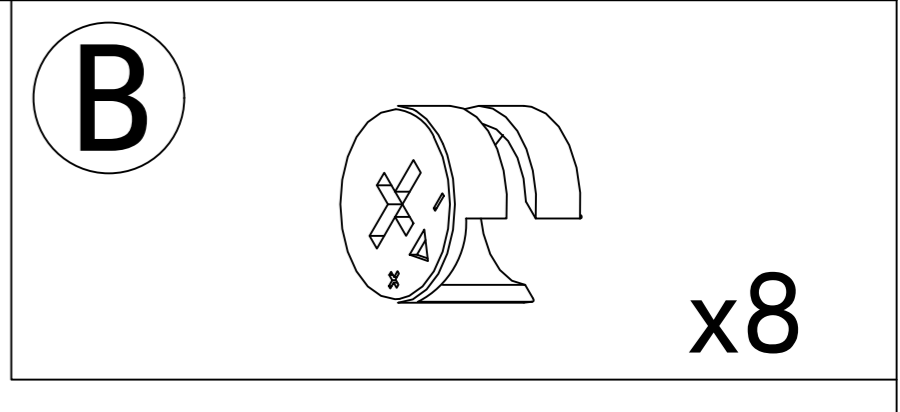
Step 3



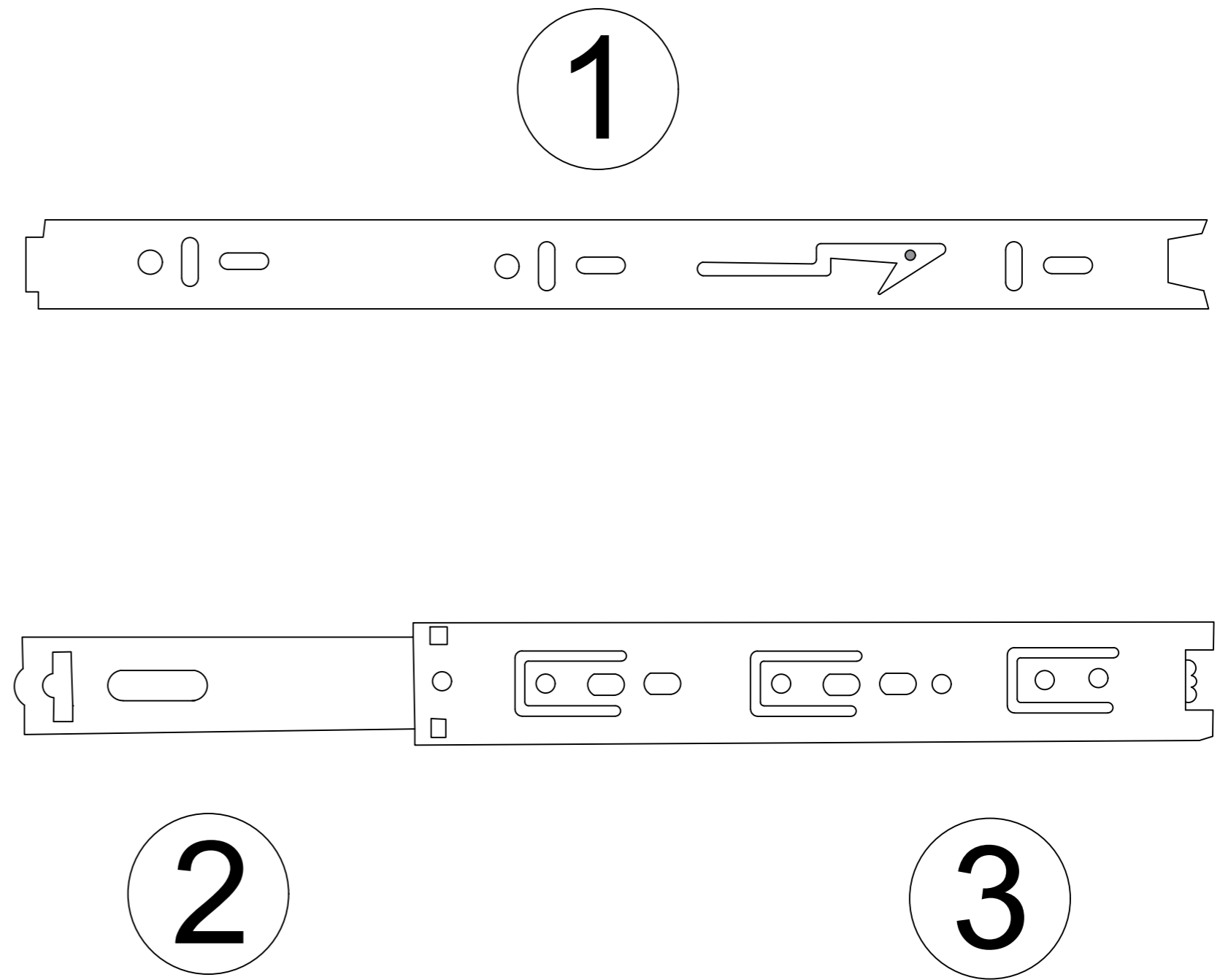
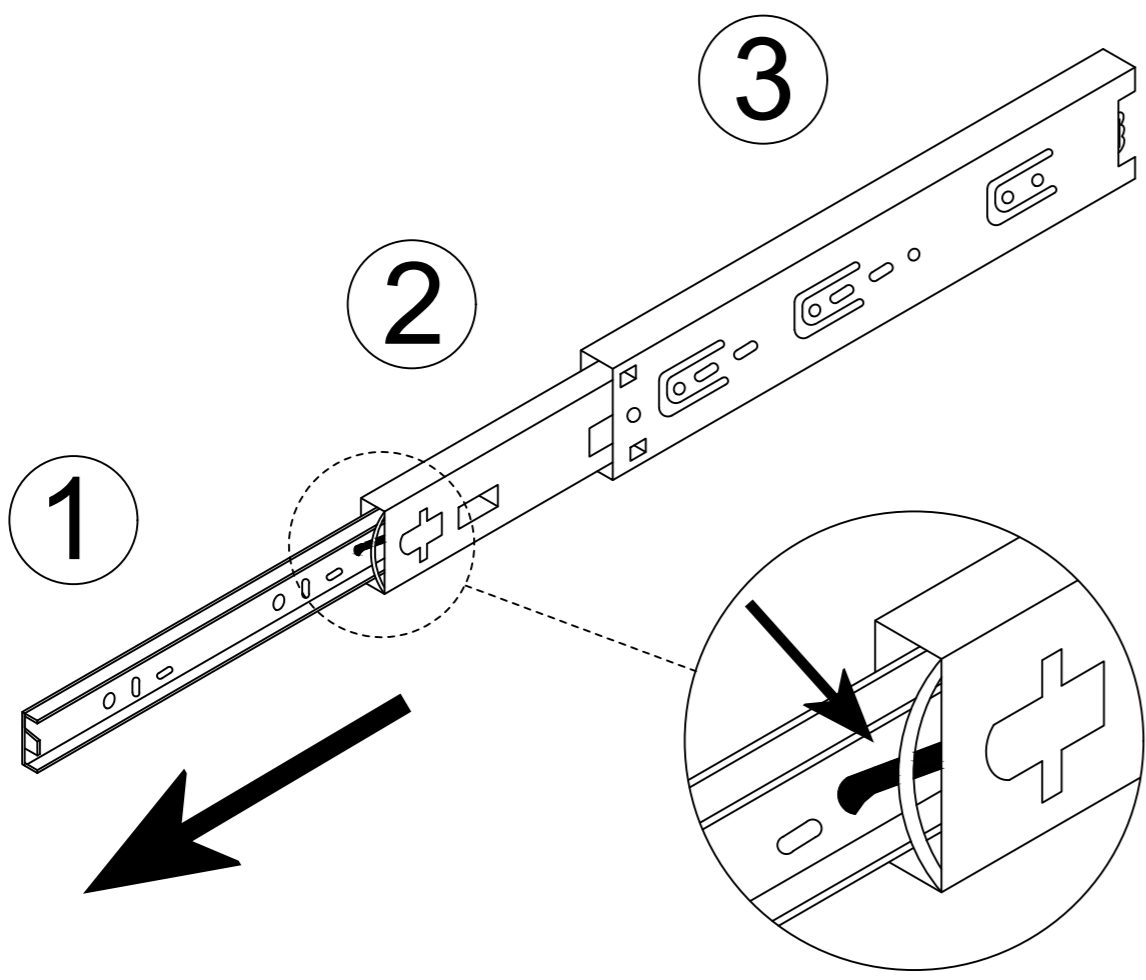
Step 4



Step 5

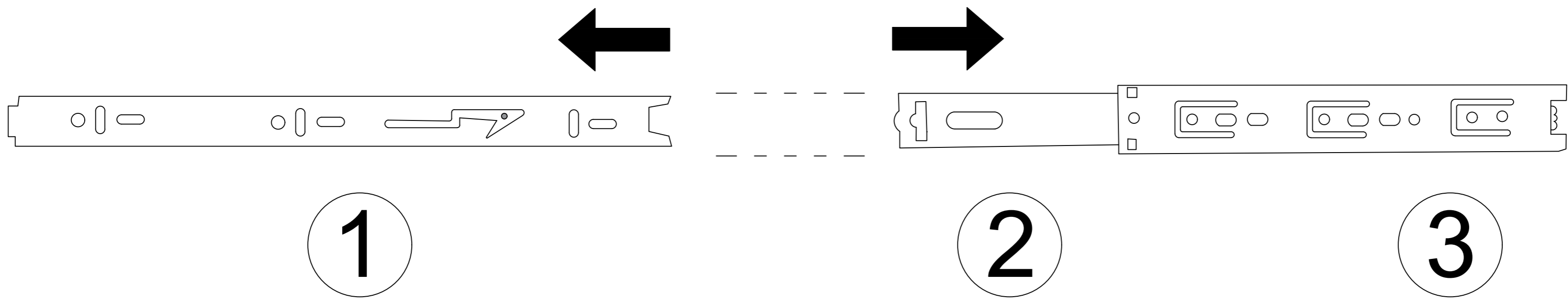


Exploded view of drawer guide rail

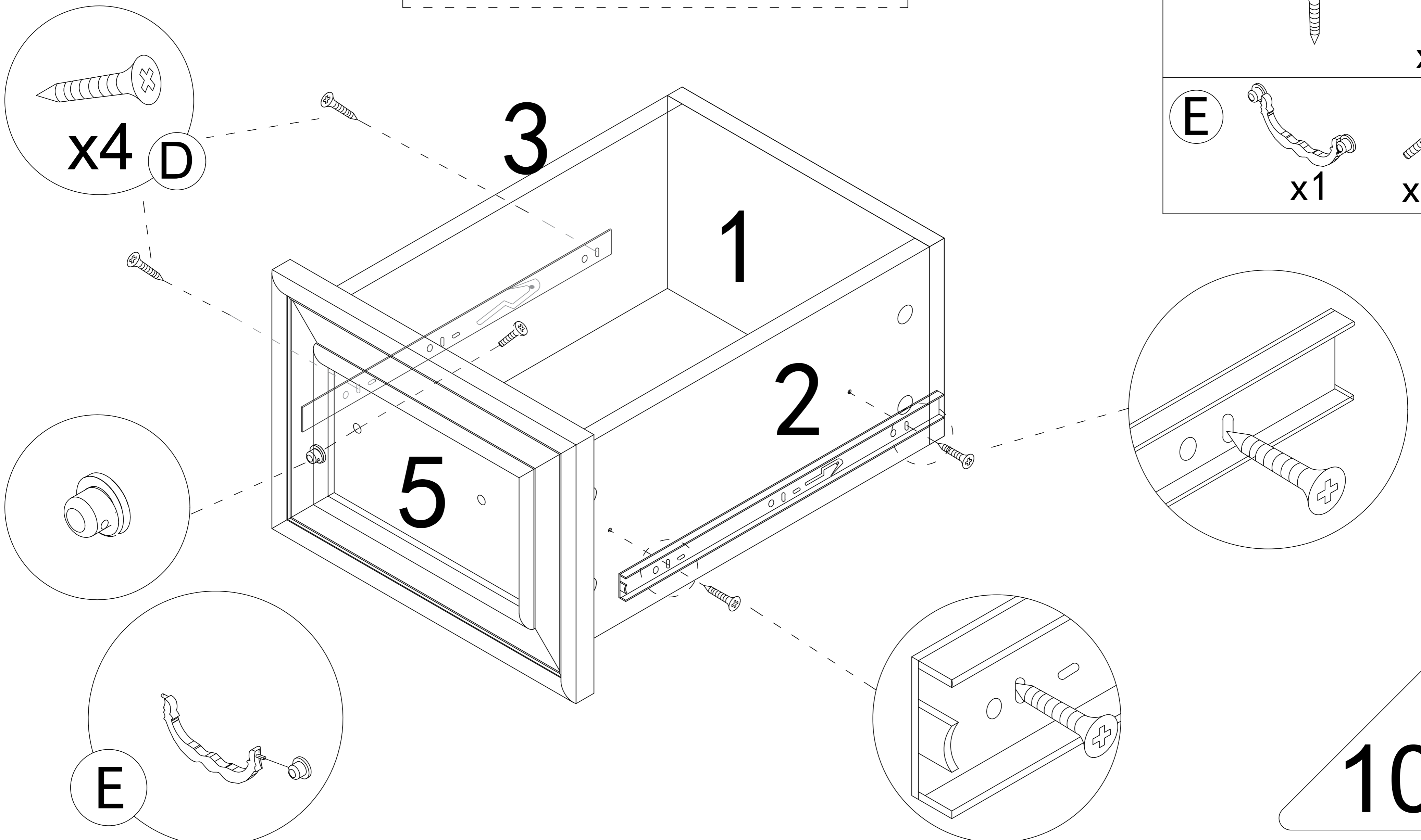
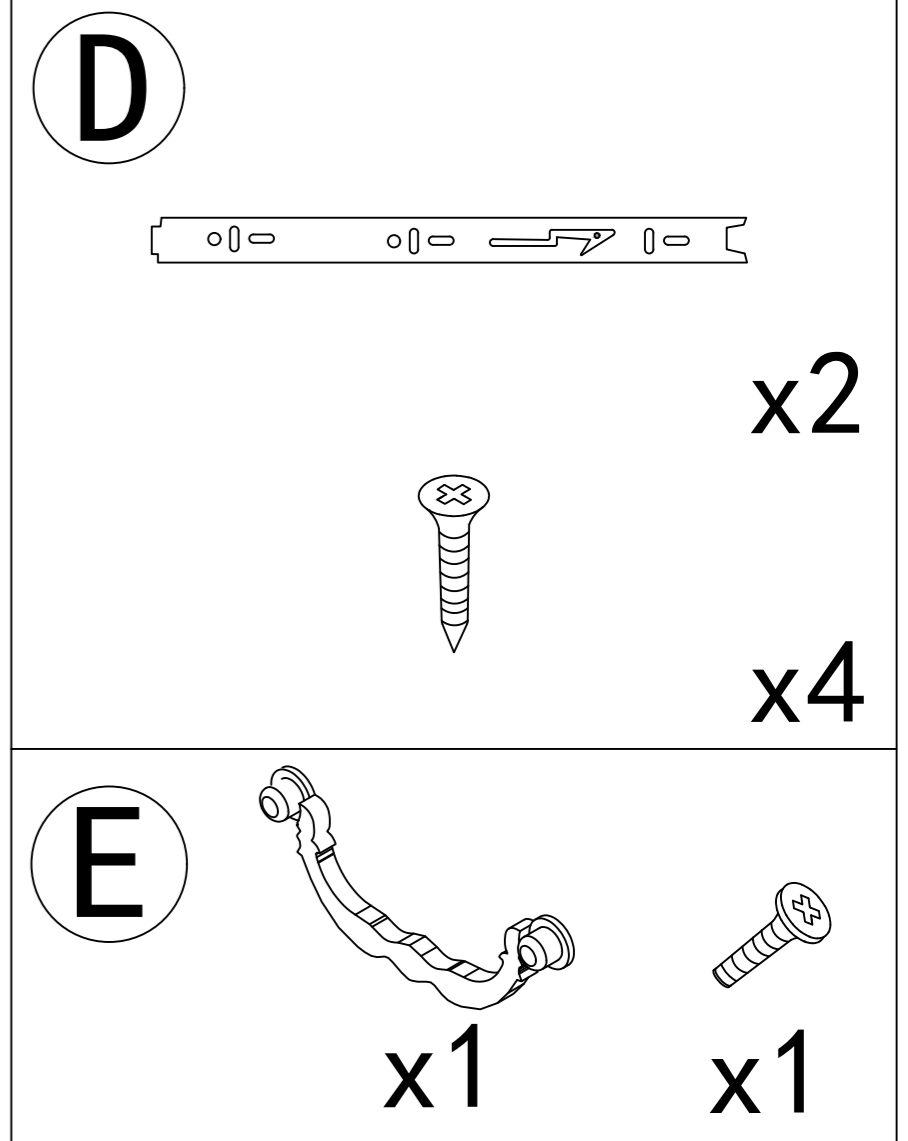
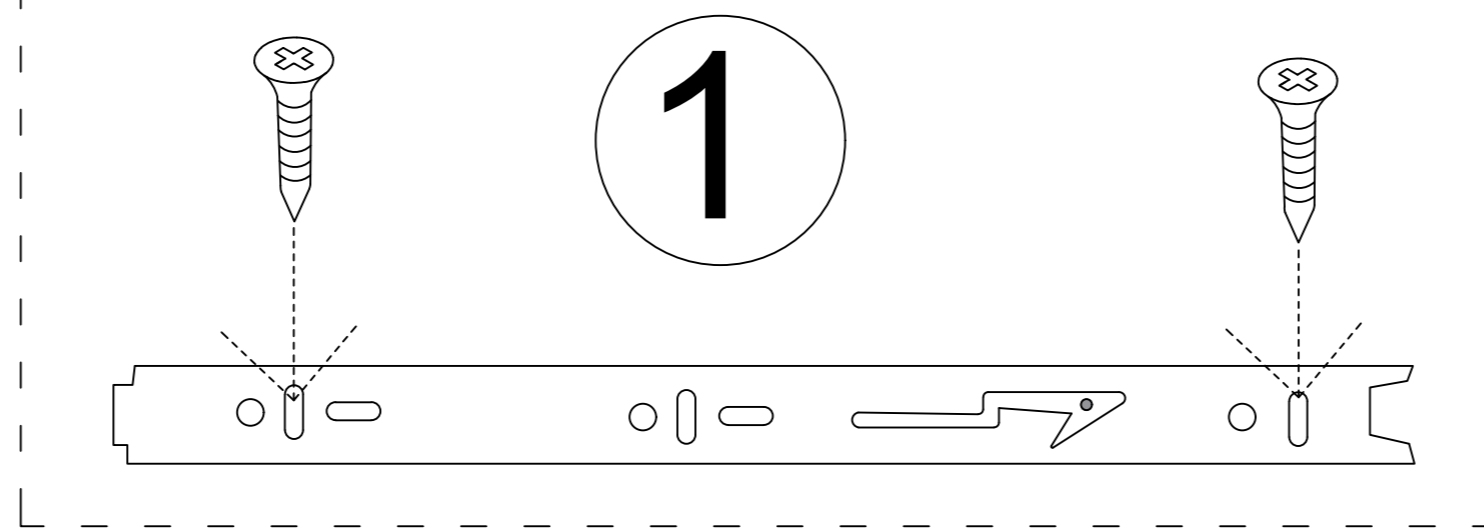


Step 1 : Pull the guide rail apart

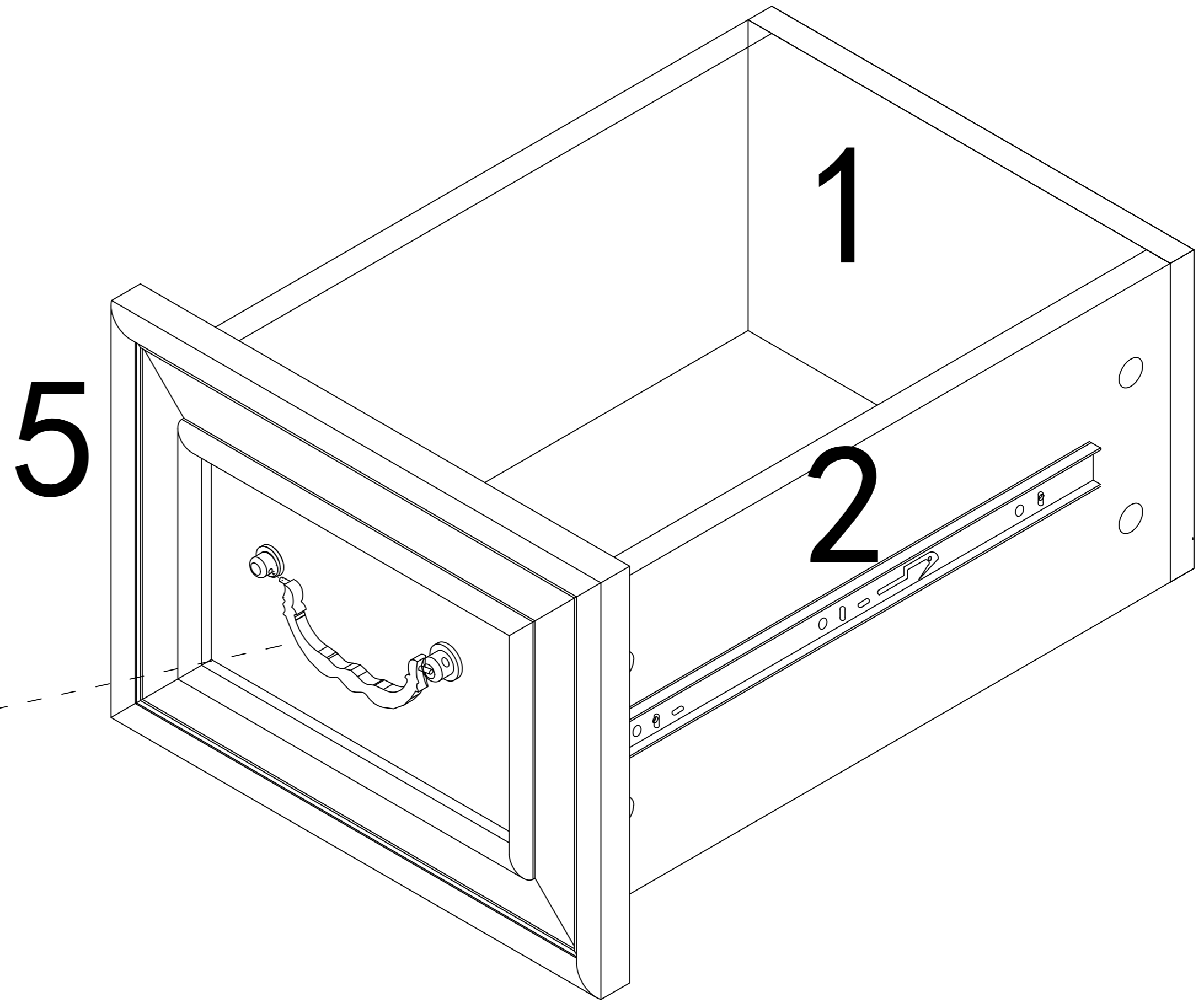
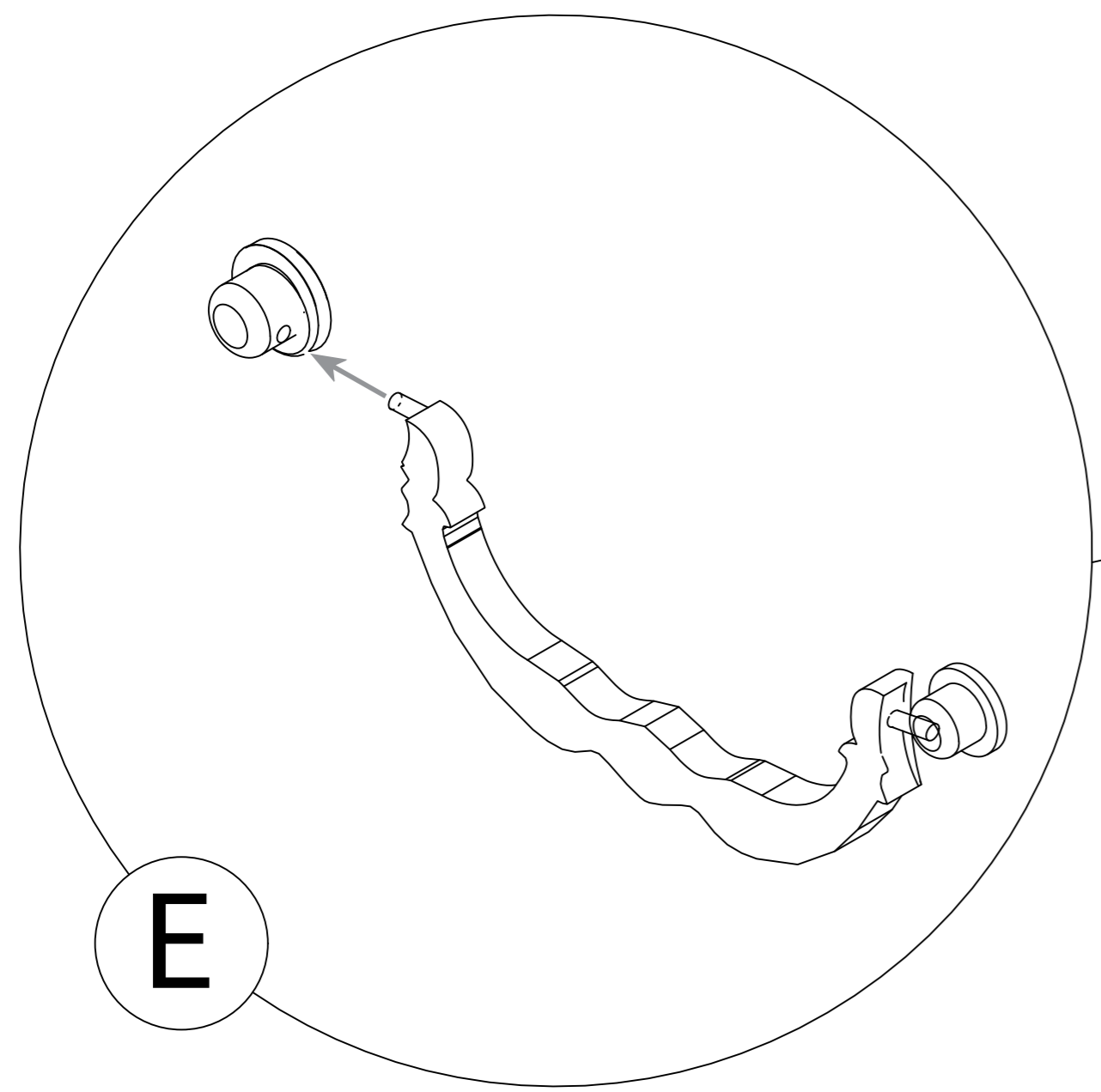
Step 2 : Push the nylon buckle and pull outward ①



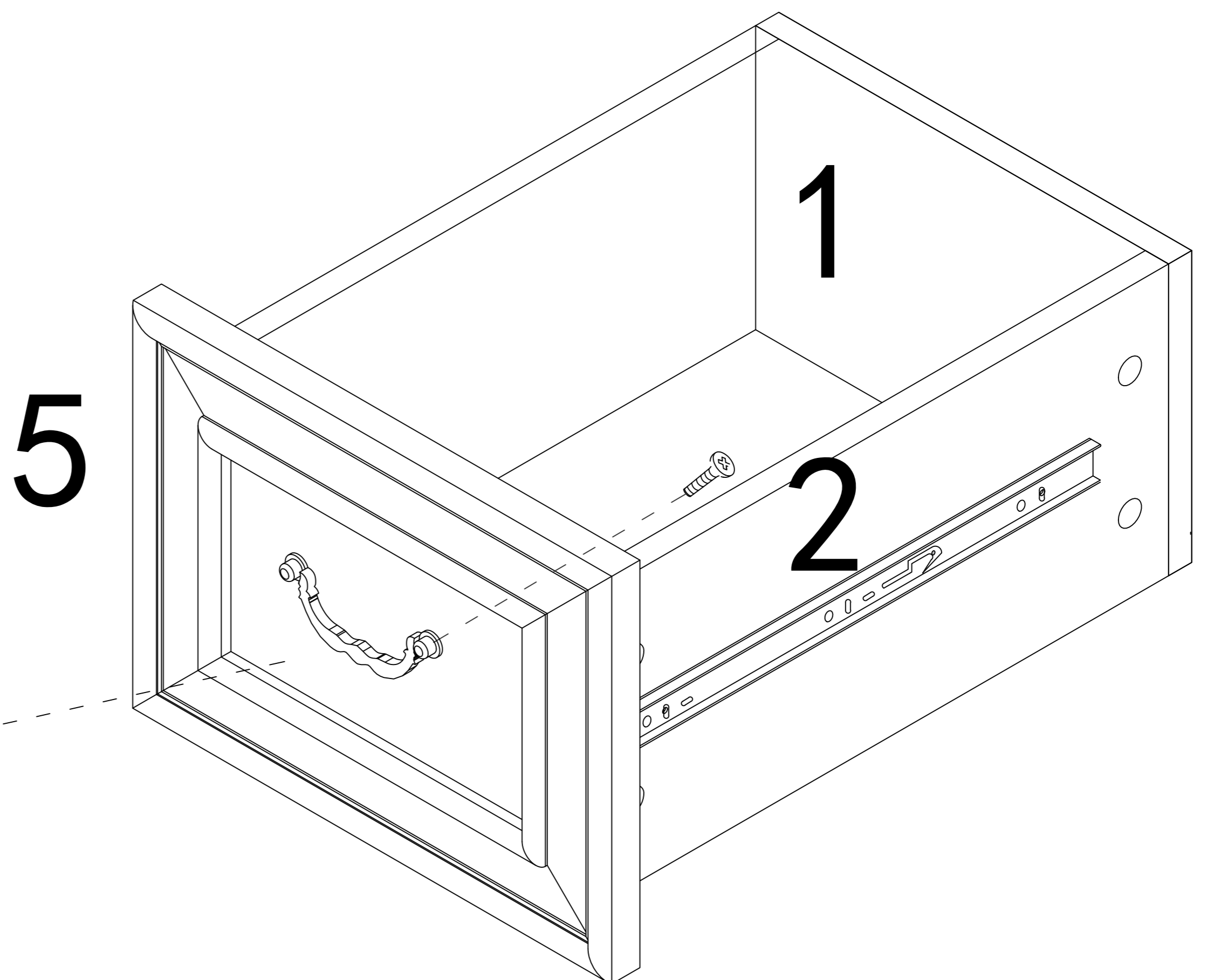
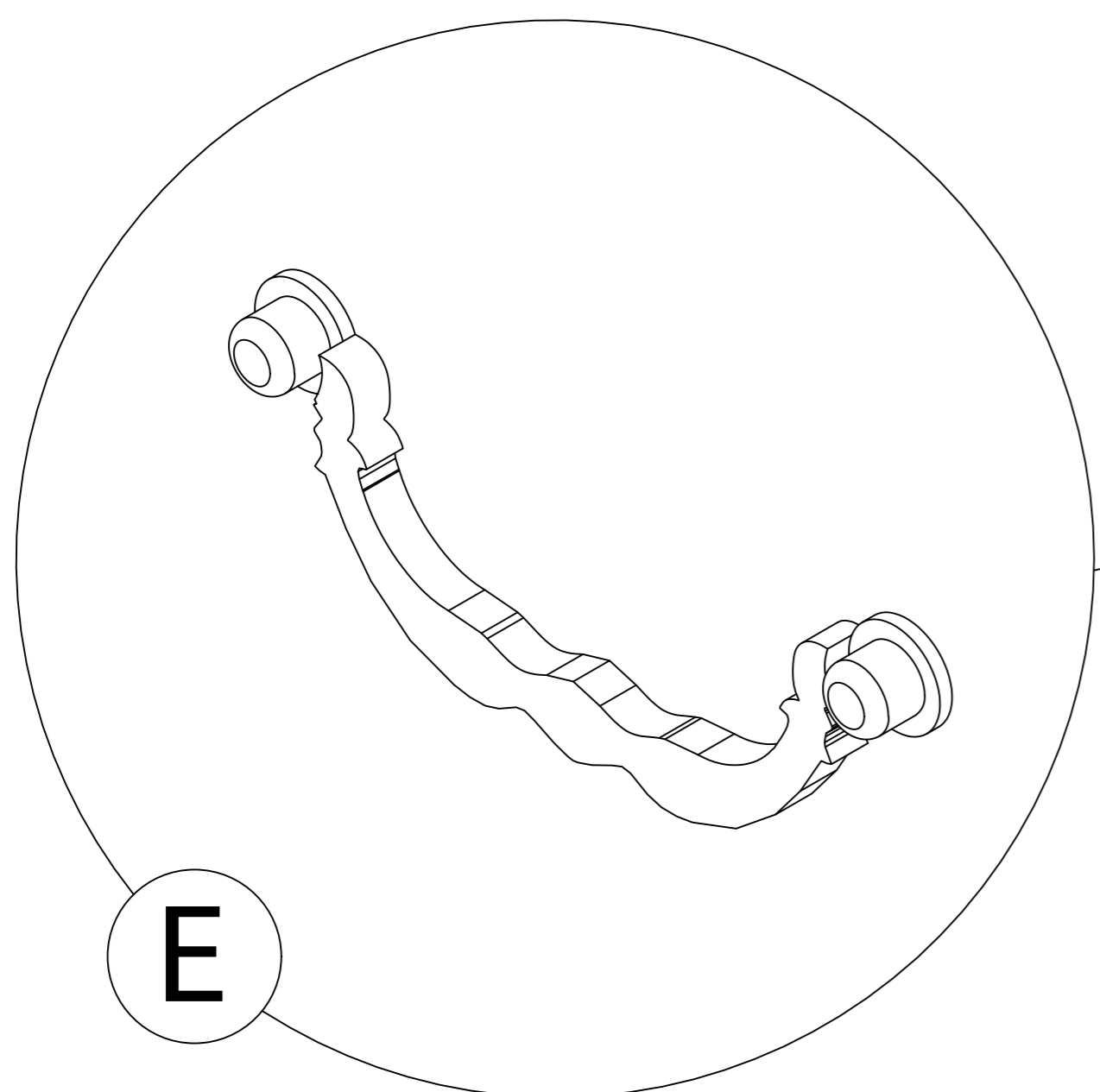
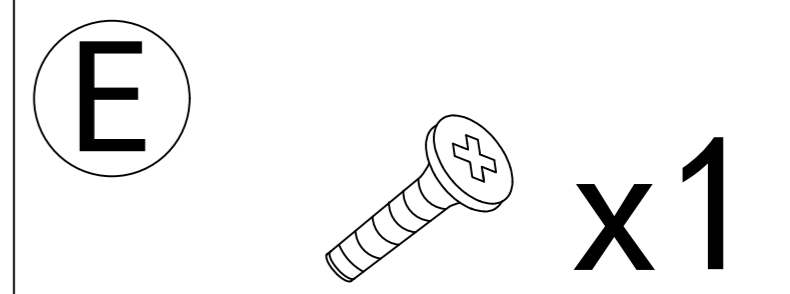
Step 6



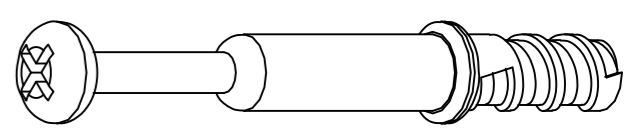
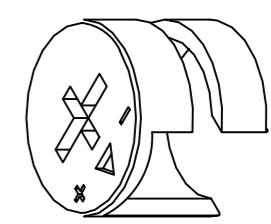
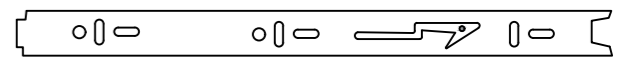
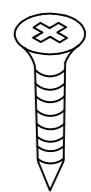
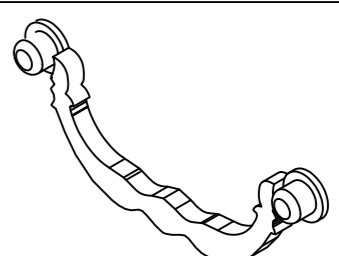

Step 7

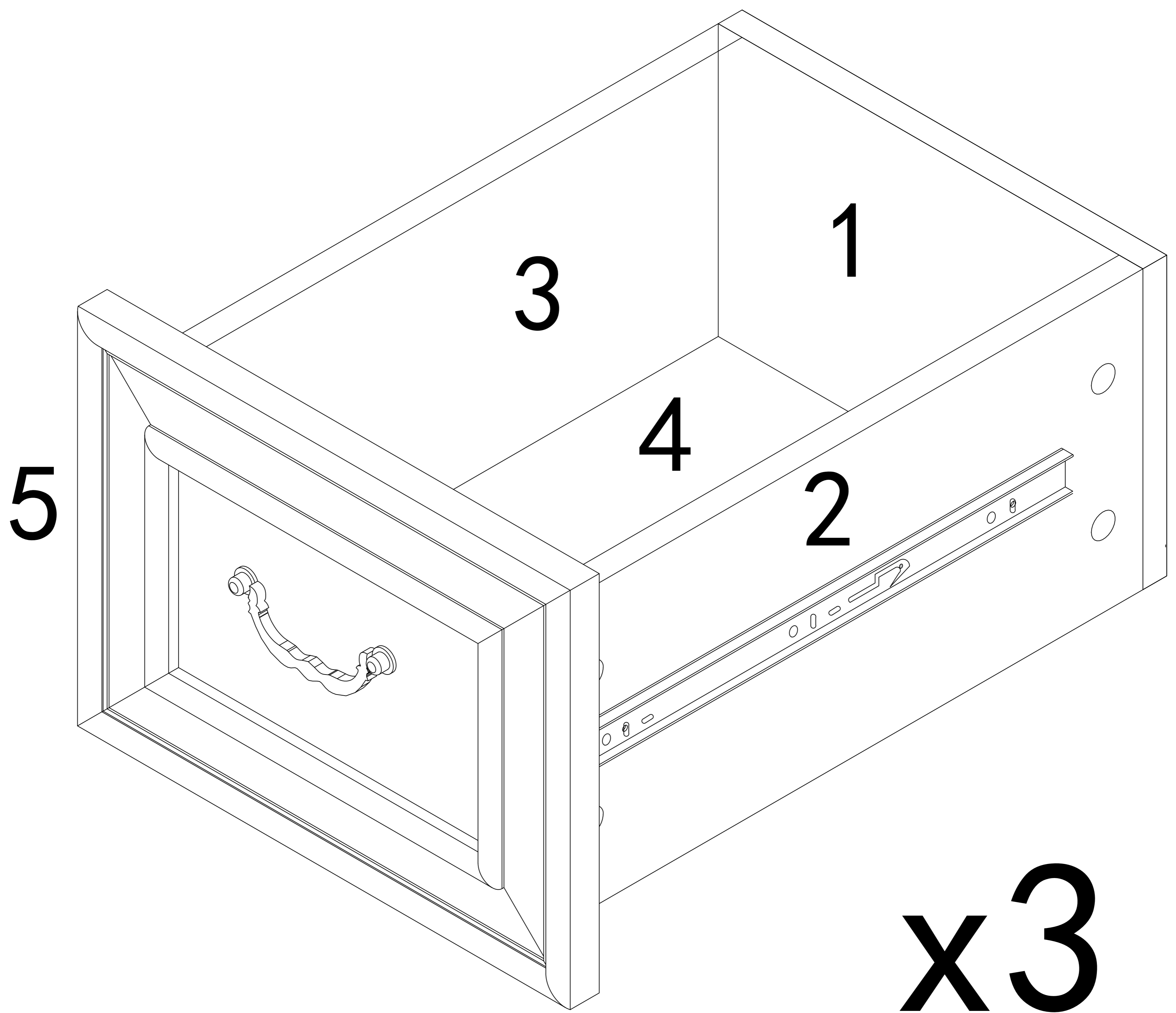


Step 8

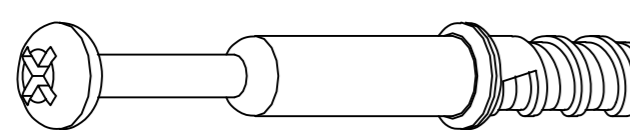
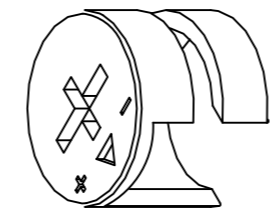
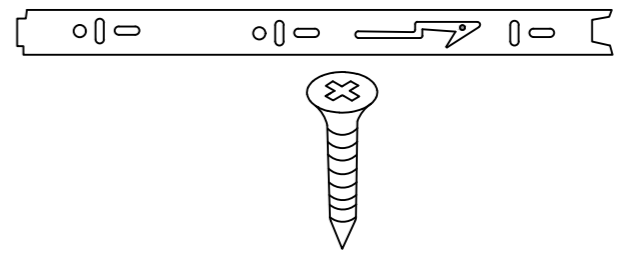
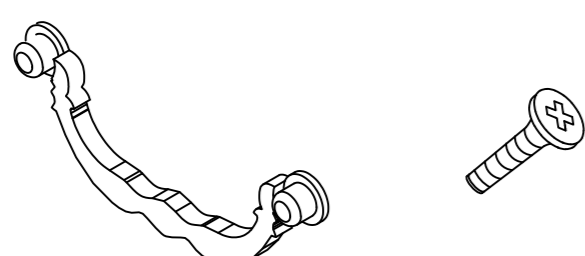


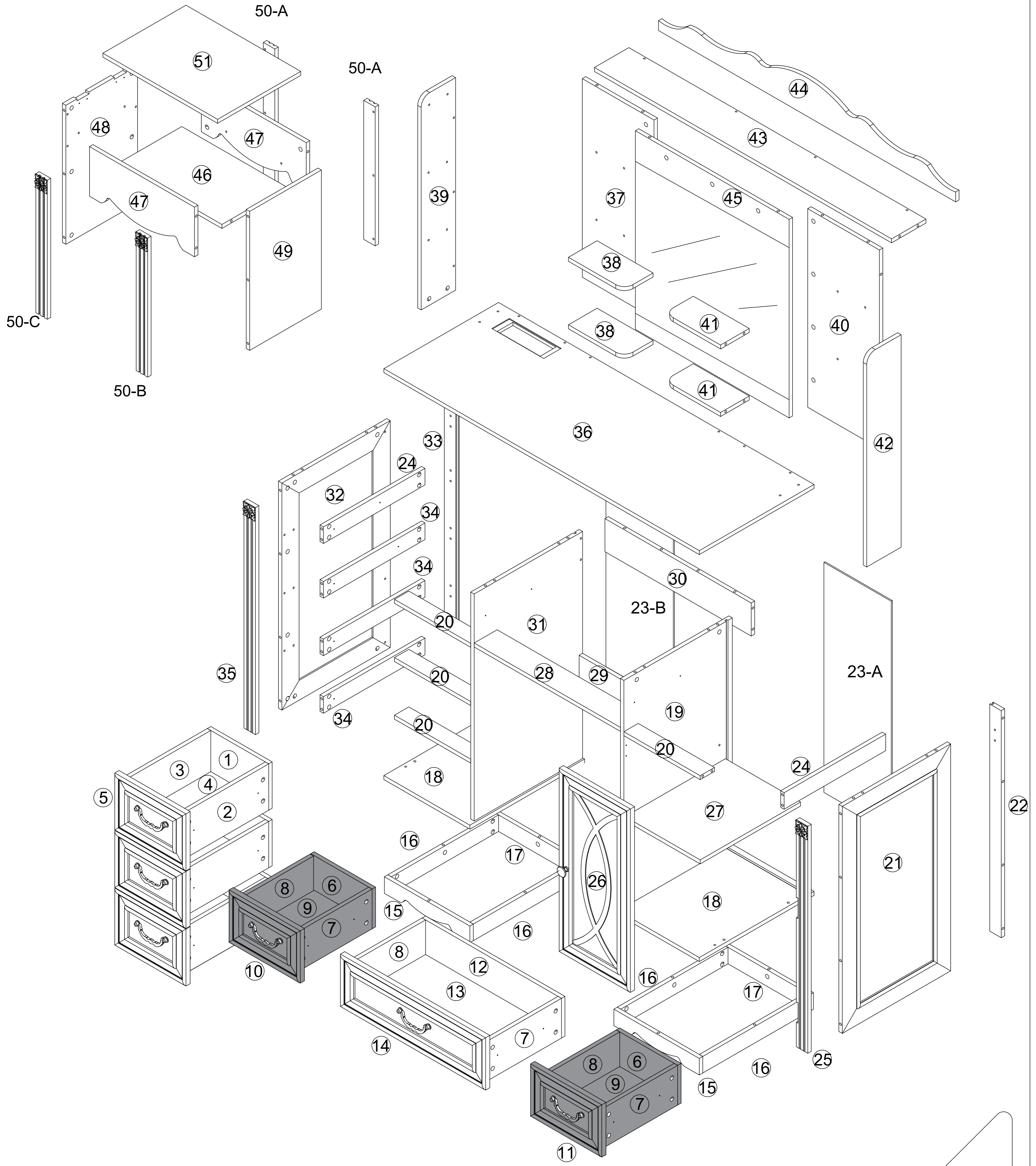
Step 9

- A**  x16
- B**  x16
- D**  x4
 x8
- E**  x2  x4

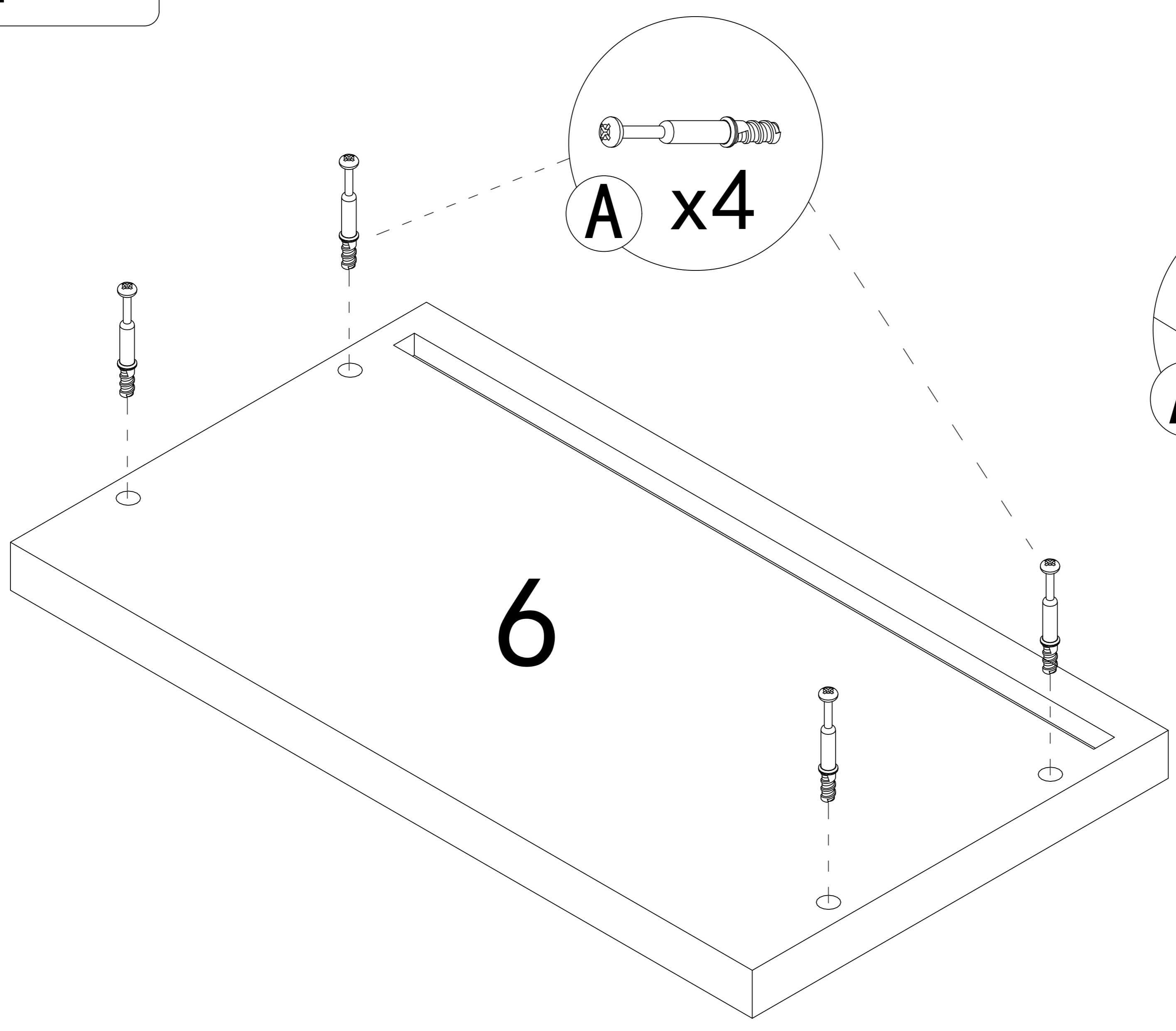
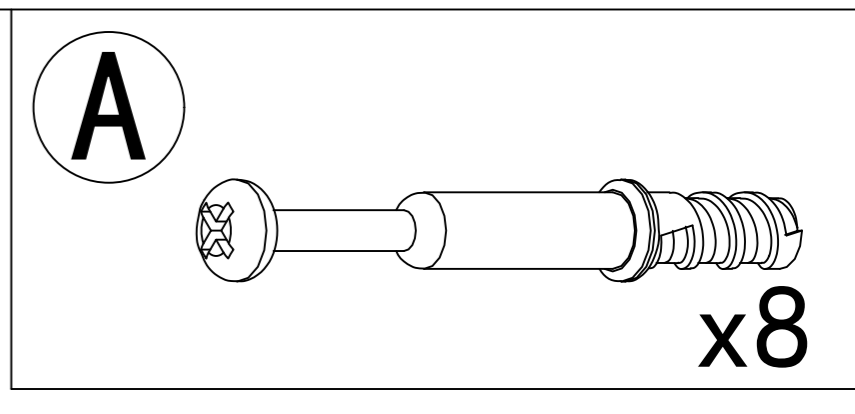


The installation method for the other drawers is the same

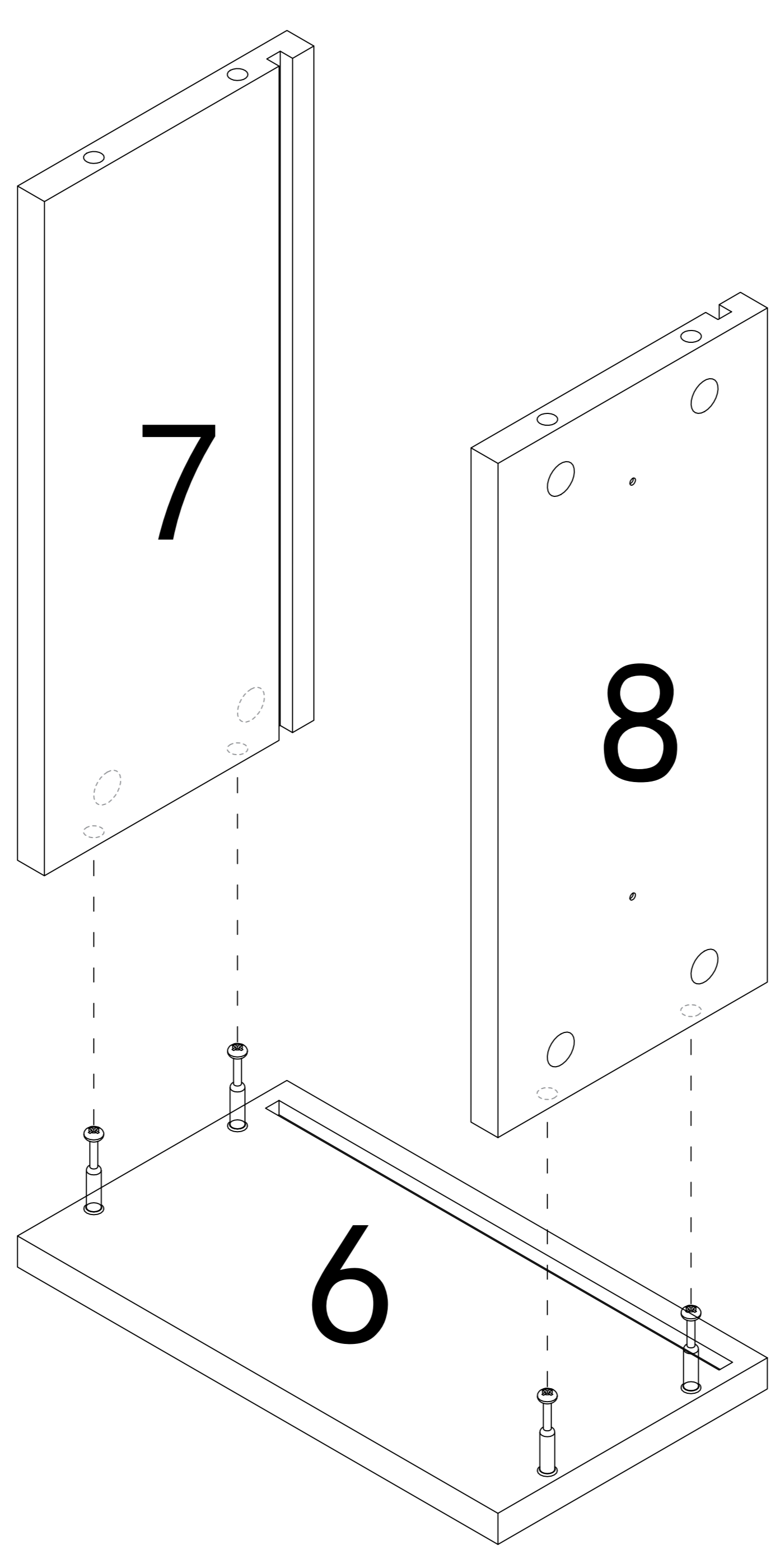
A		16pcs	B		16pcs	D		4pcs	
E		2pcs							8pcs
		4pcs							



Step 10

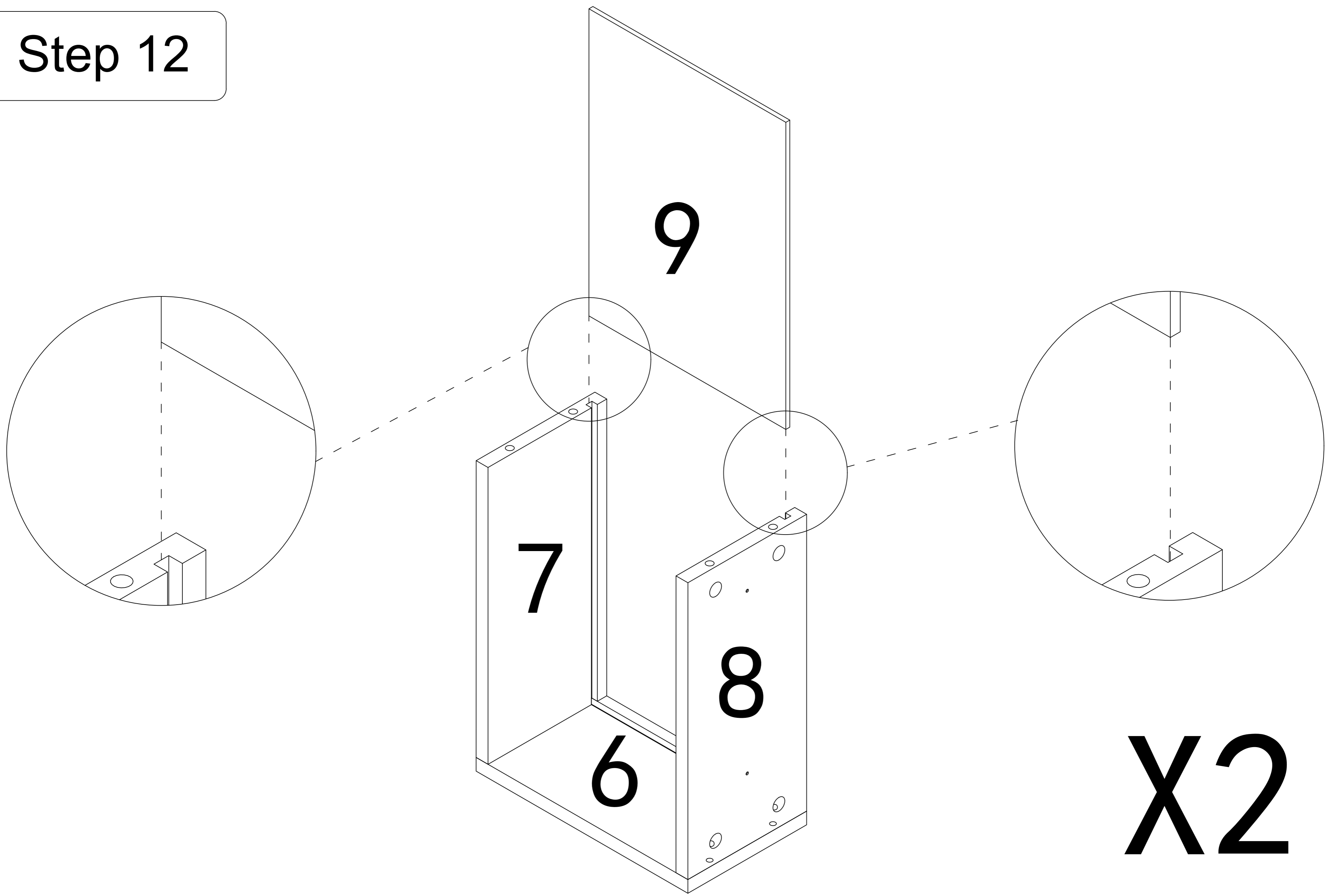


Step 11

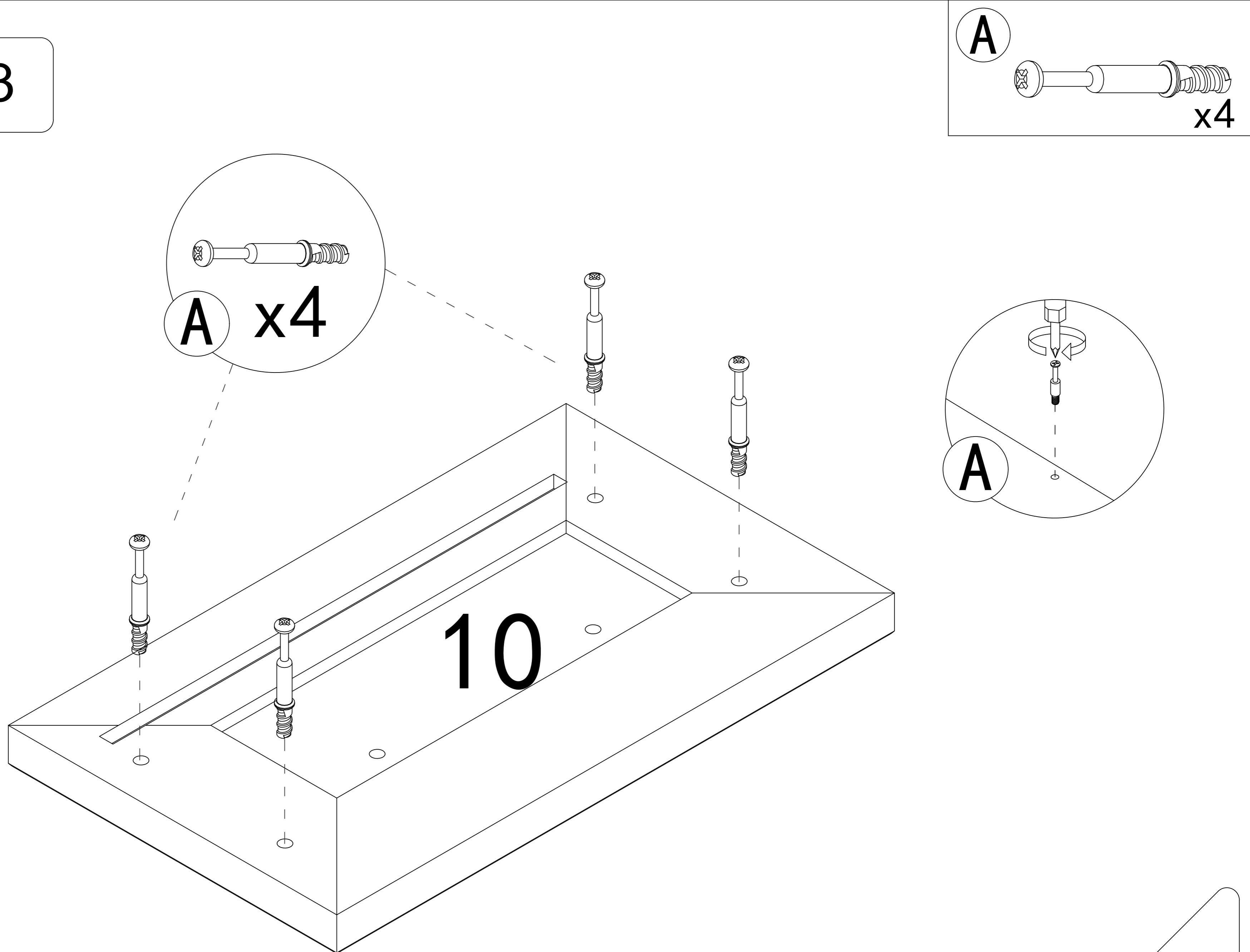


x2

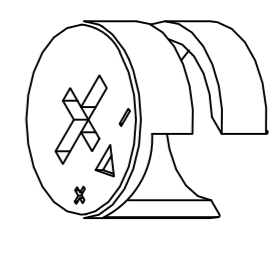
Step 12

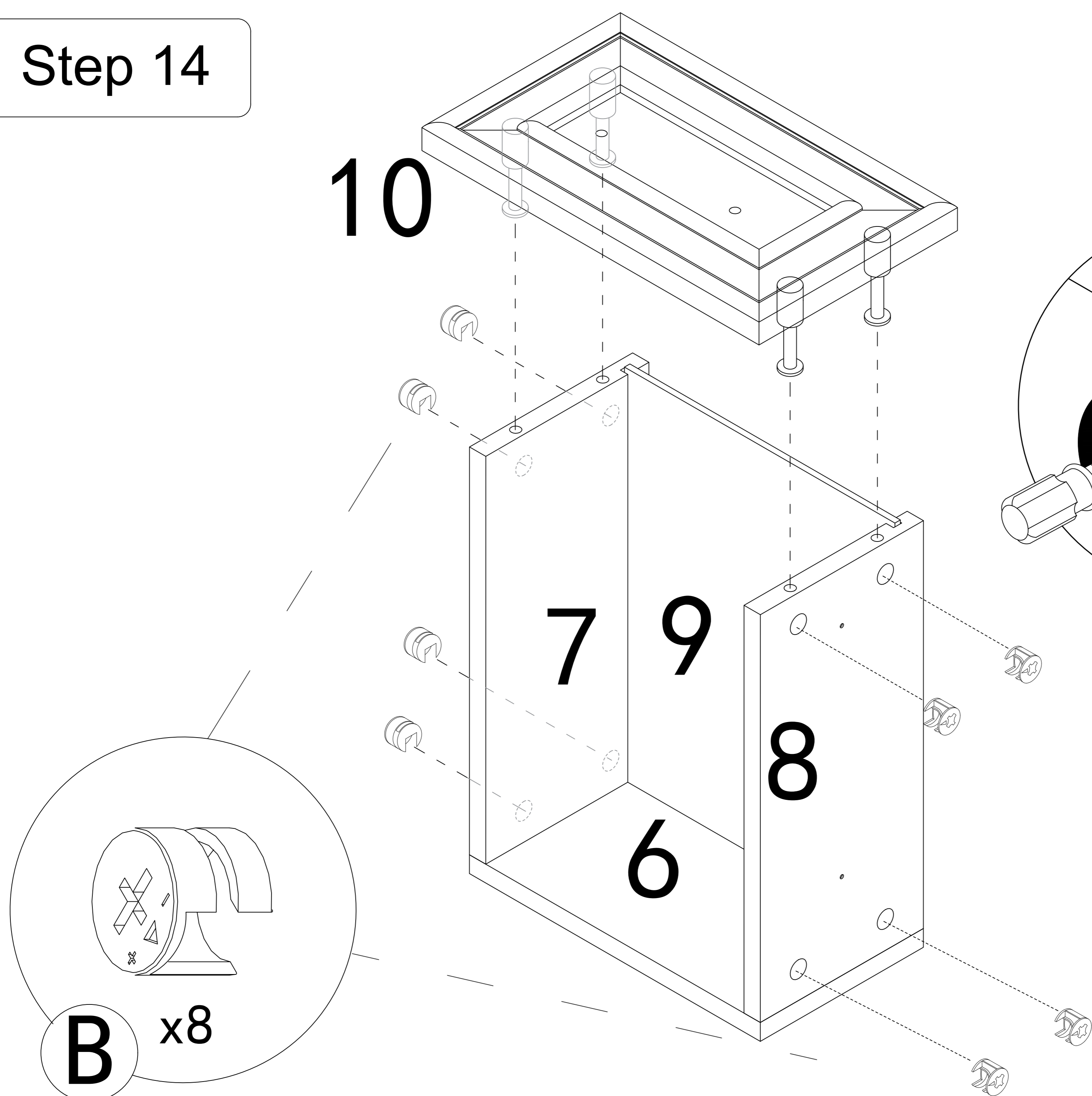


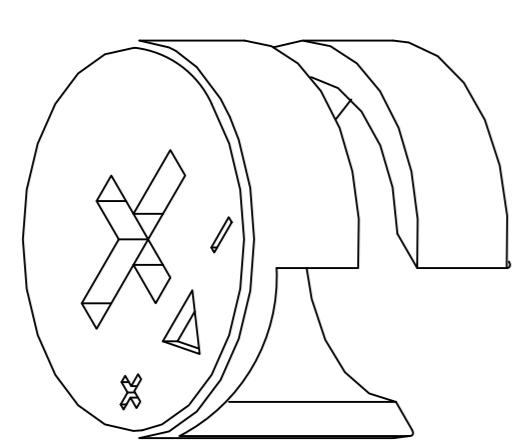
Step 13



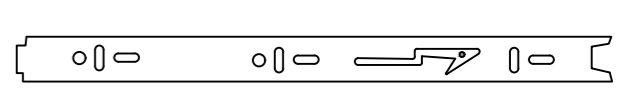
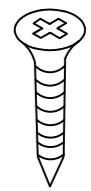
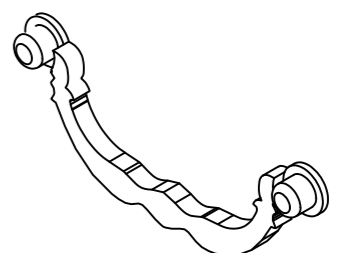

Step 14

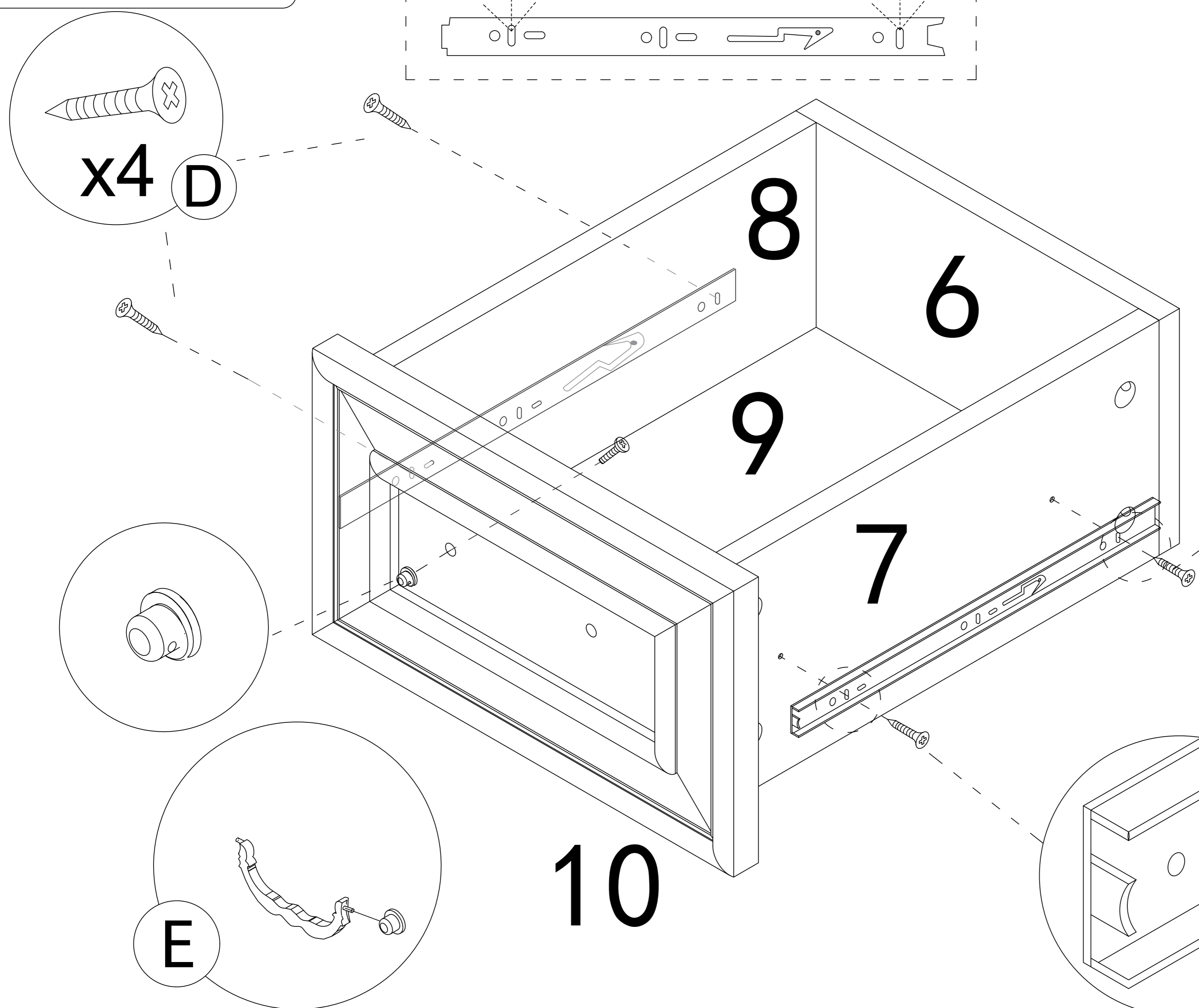
B  x8

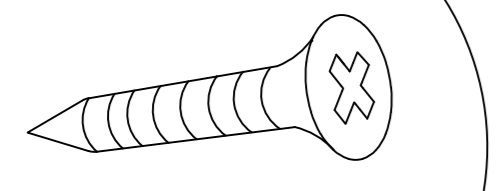


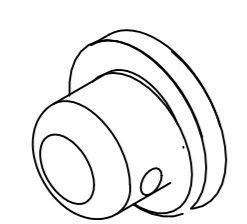
B x8 

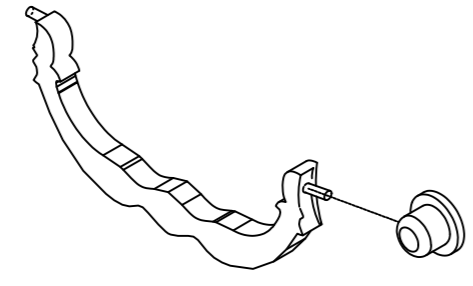
Step 15

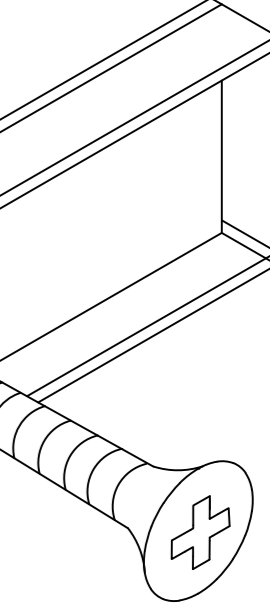
D  x2
 x4
E  x1  x1

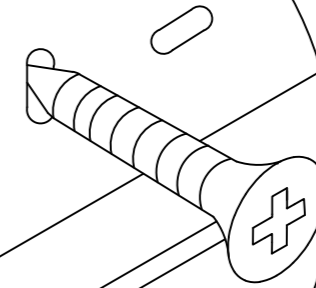


D x4 

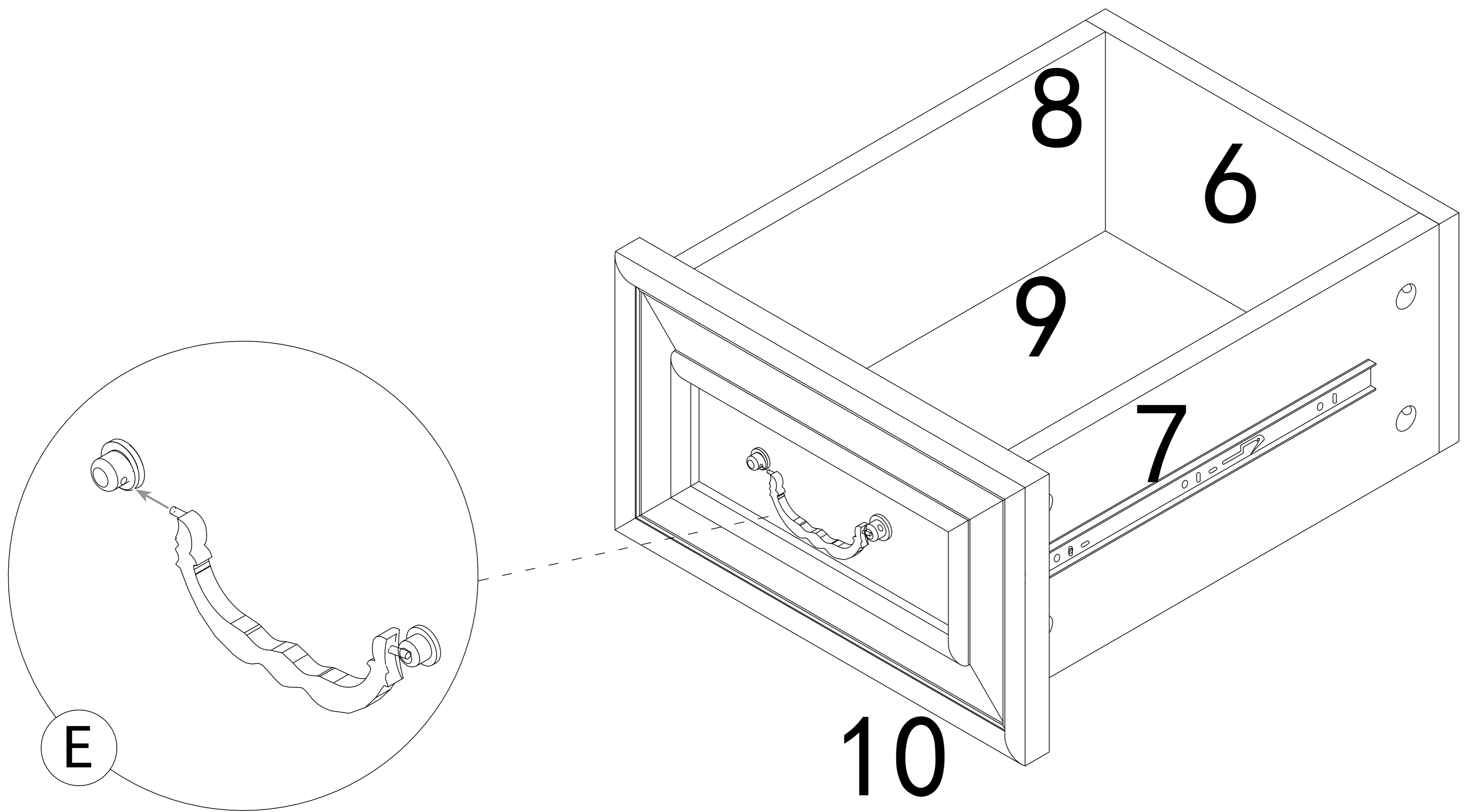


E 

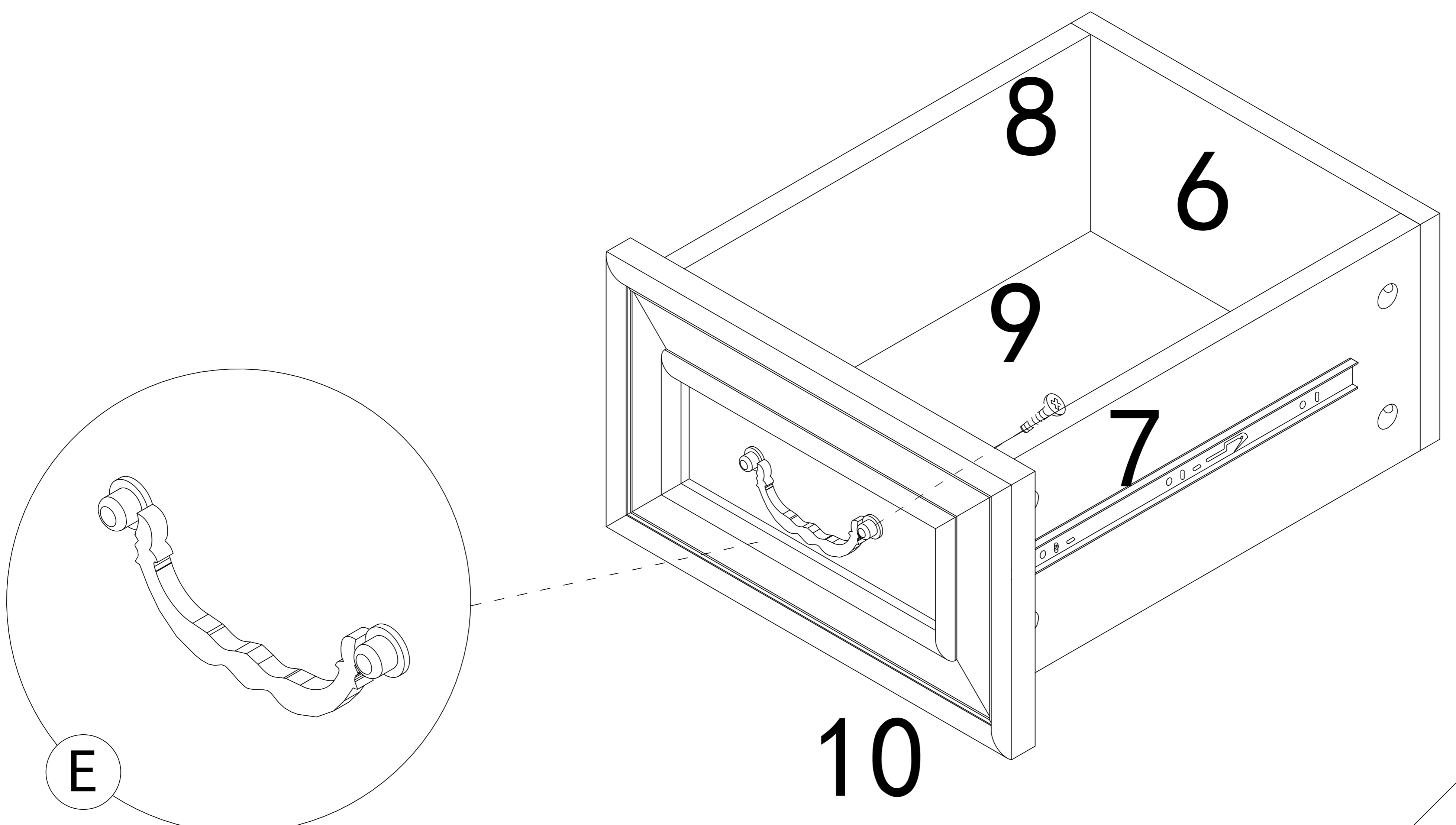
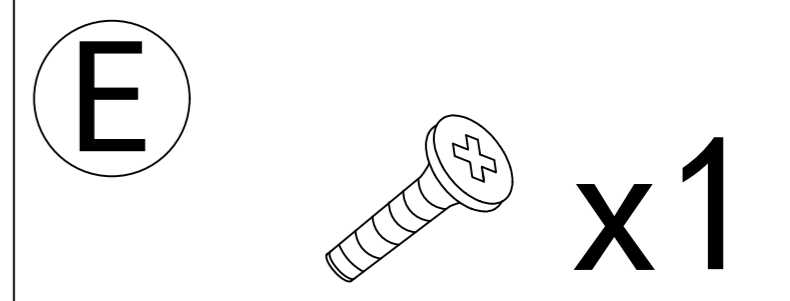




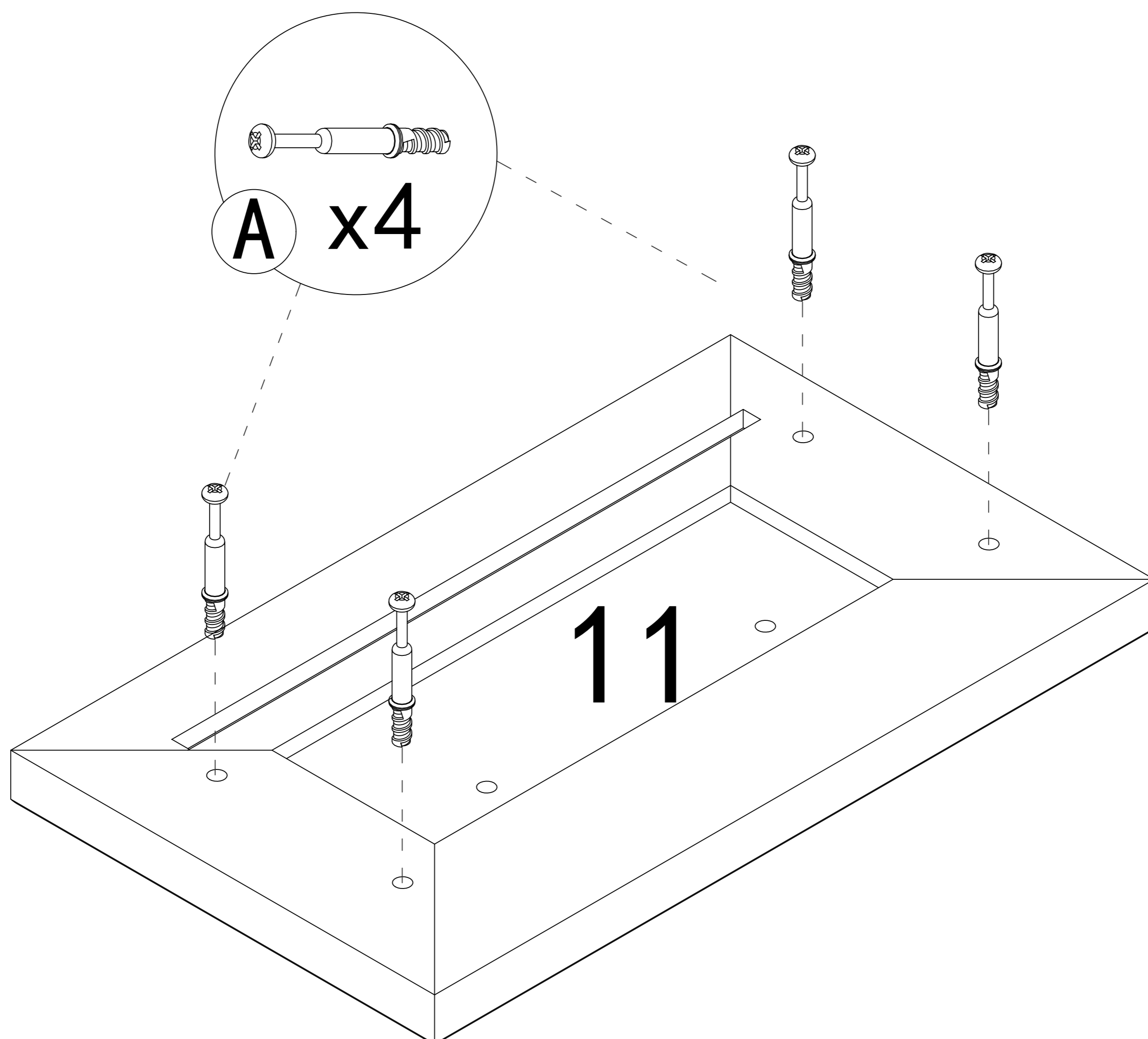
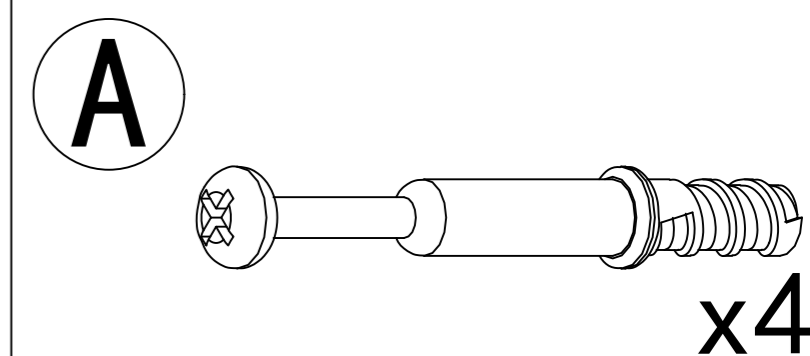
Step 16



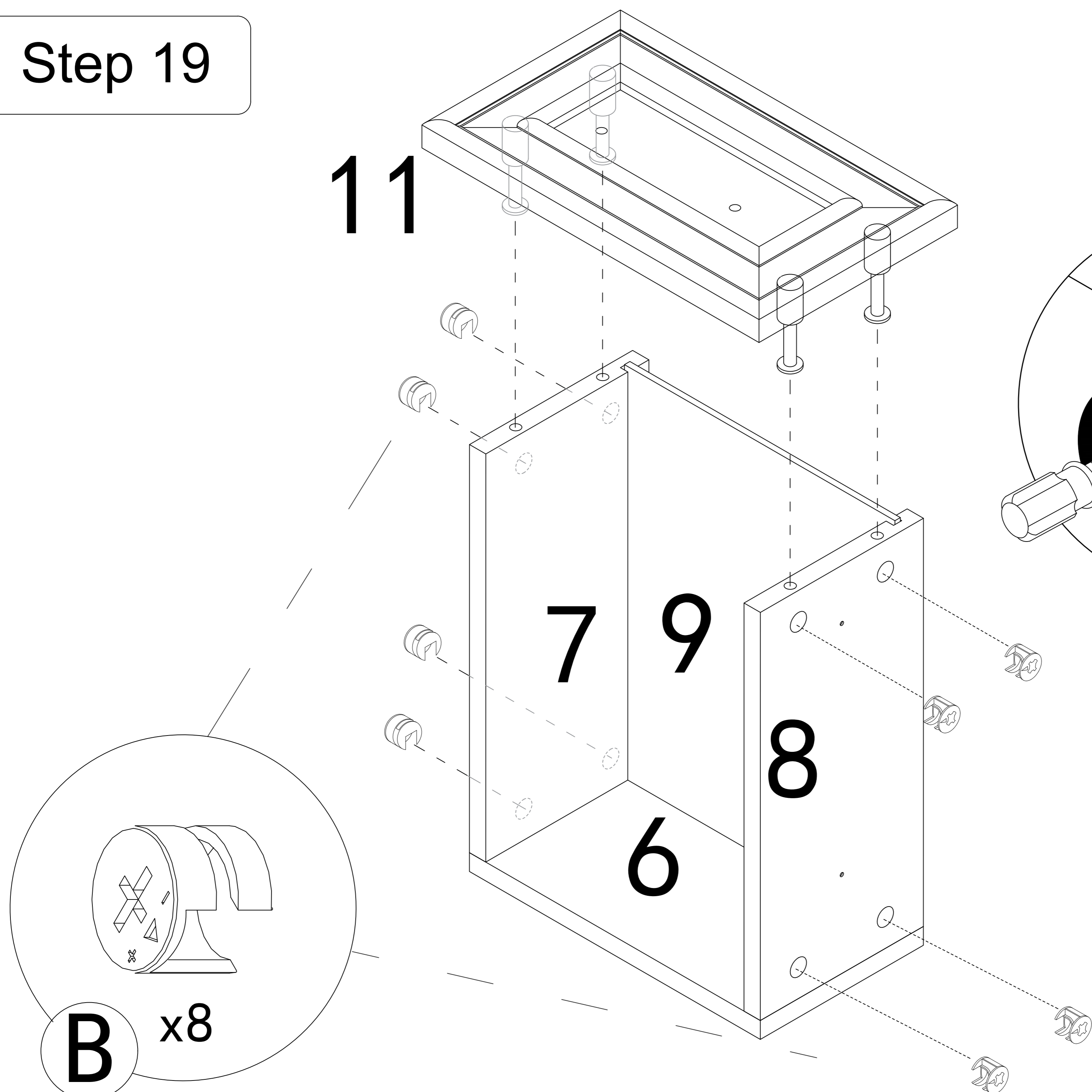
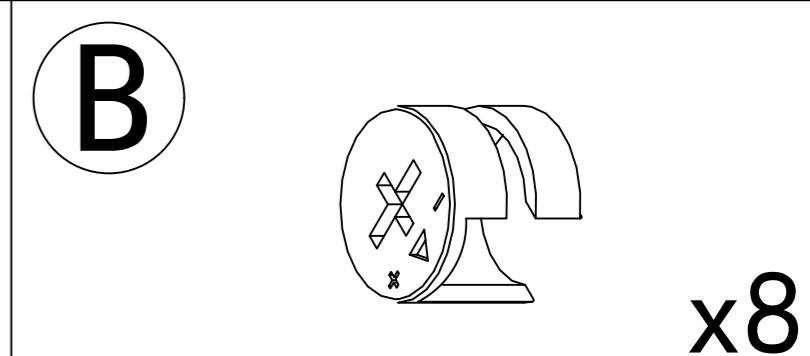
Step 17



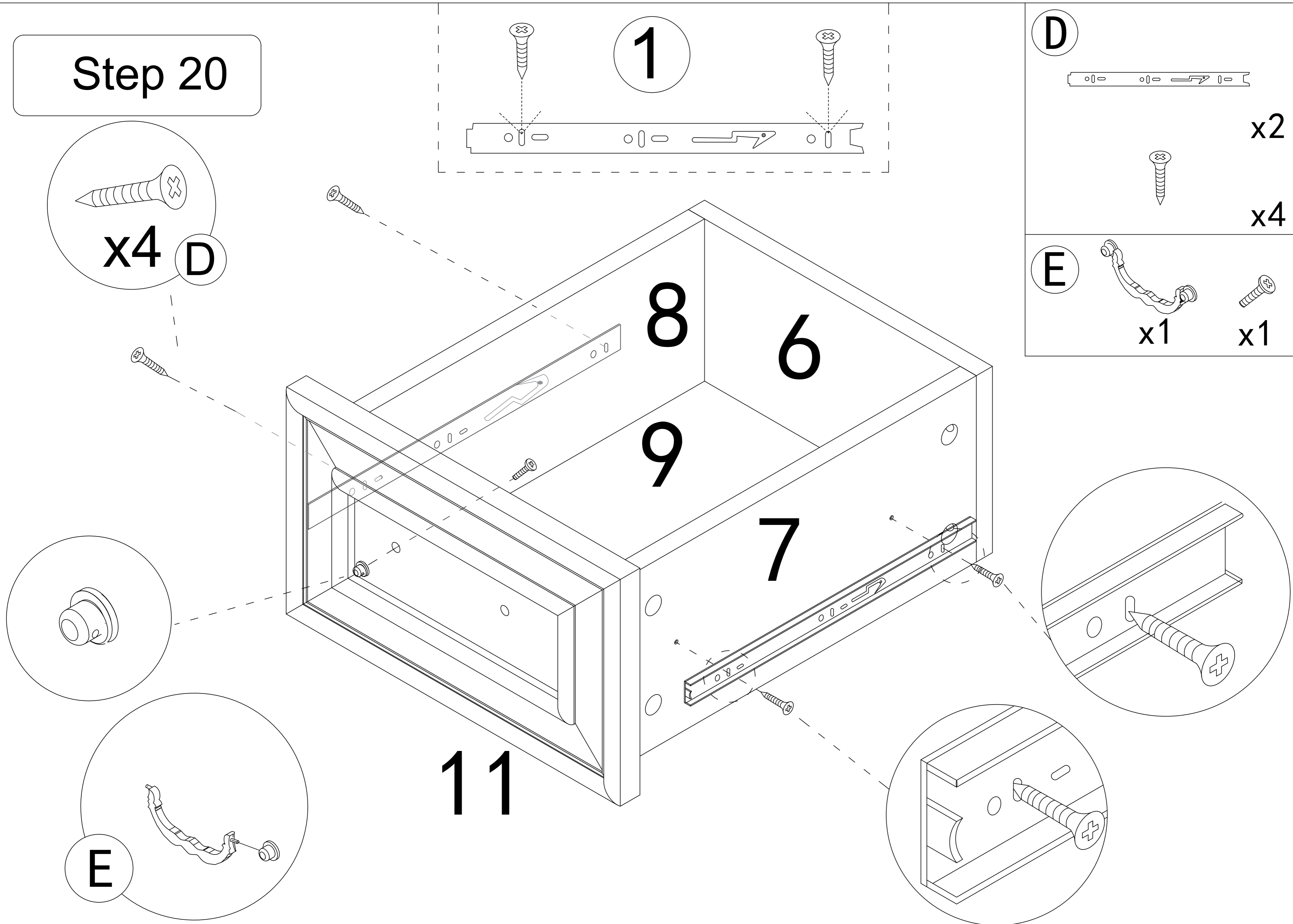
Step 18



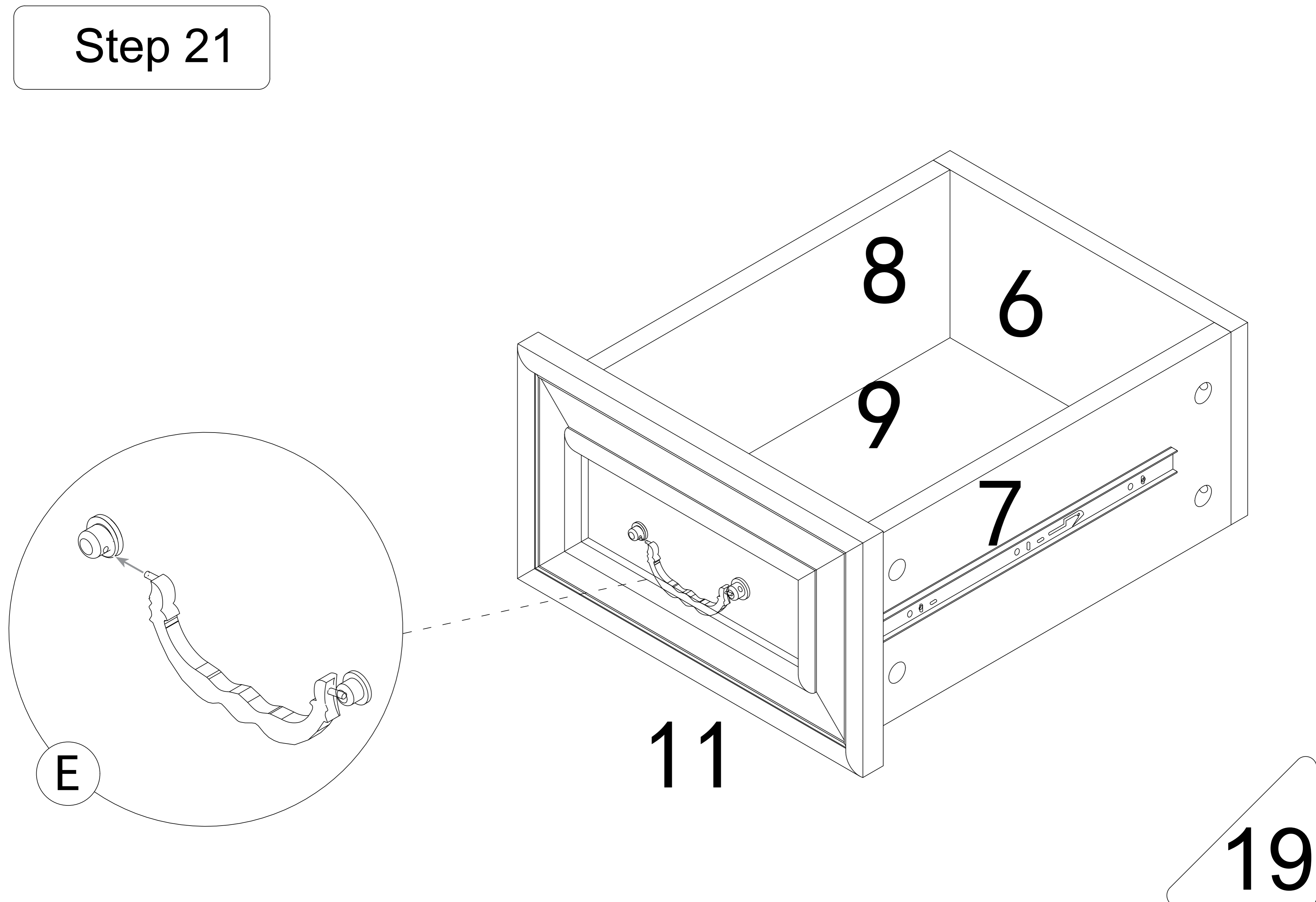
Step 19



Step 20

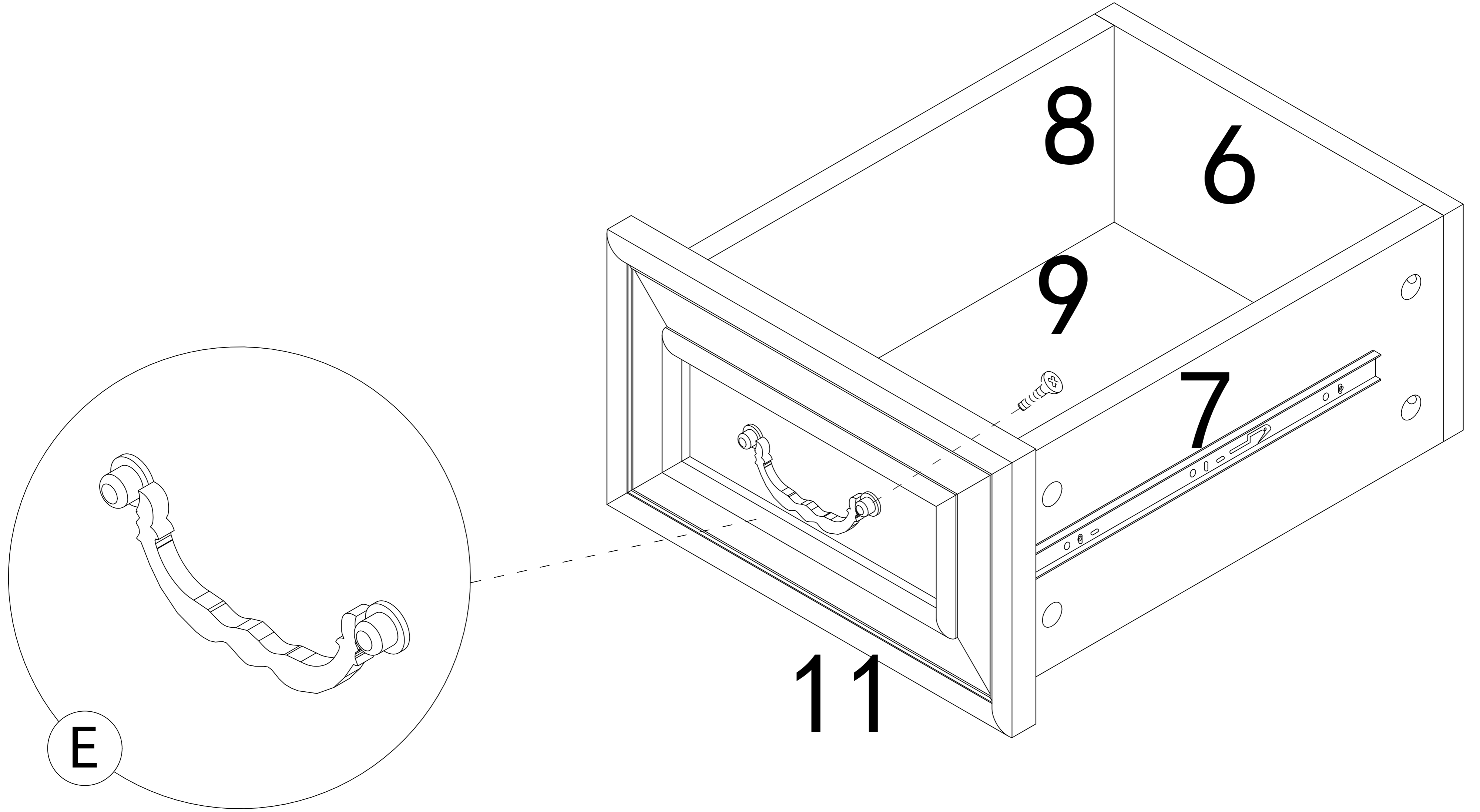
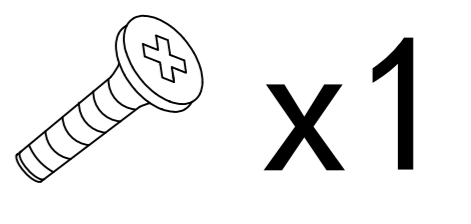


Step 21

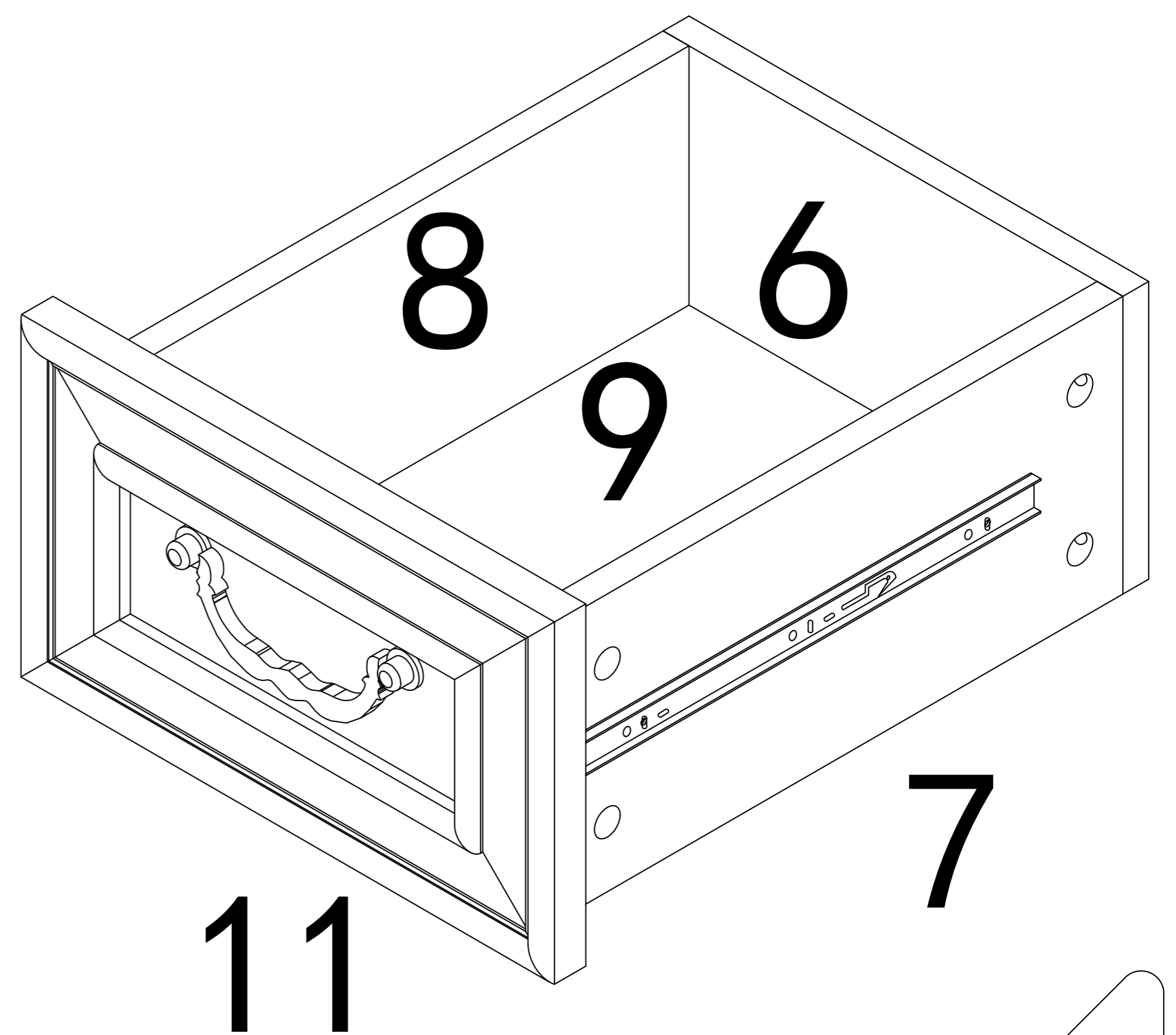
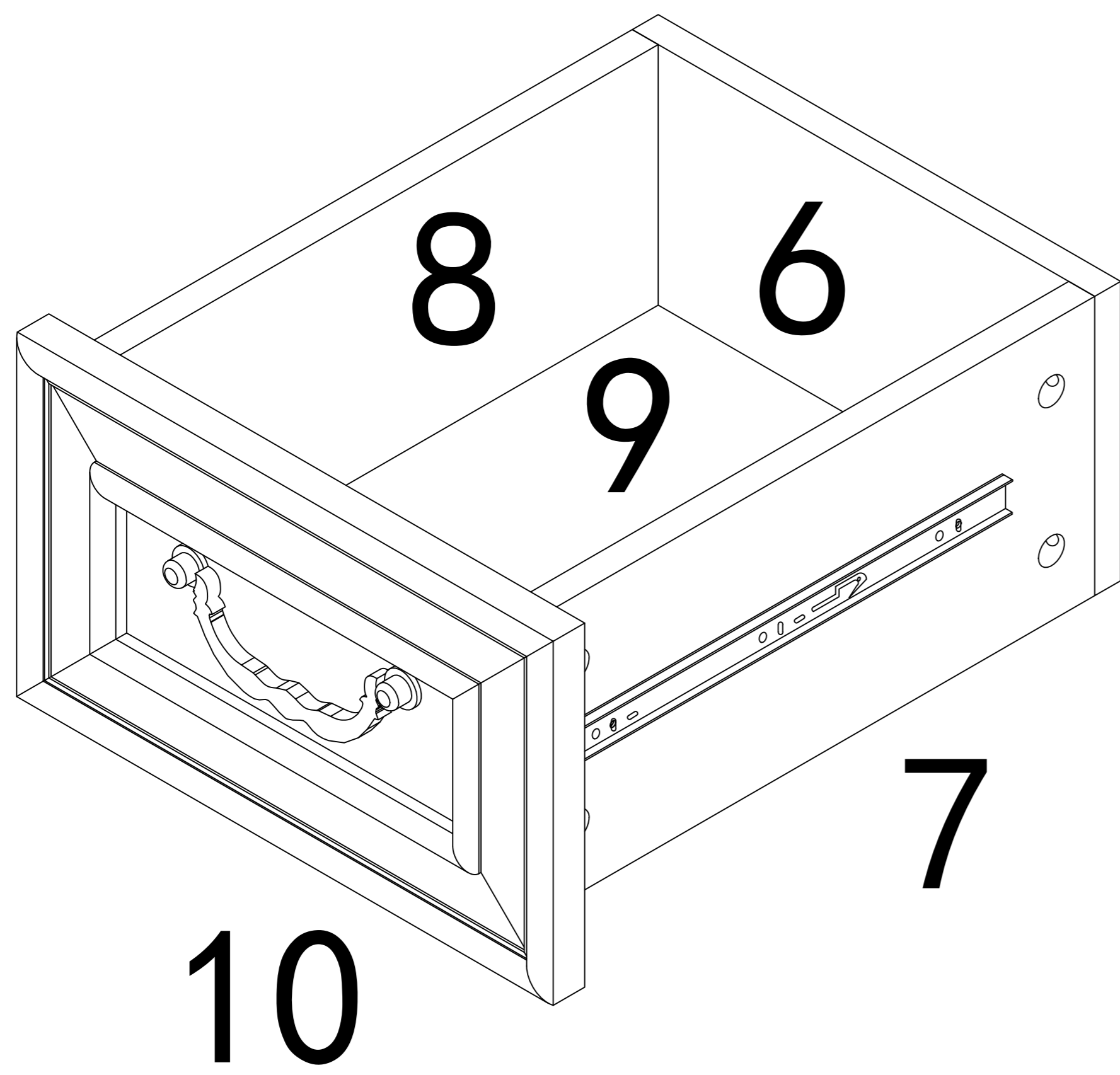


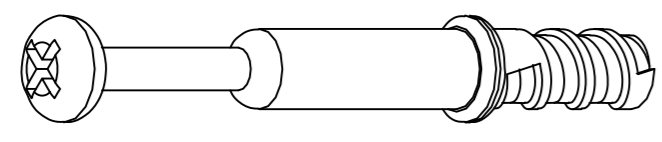
Step 22

E

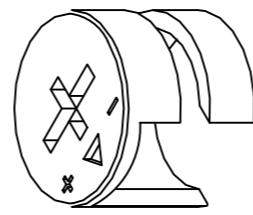


Note

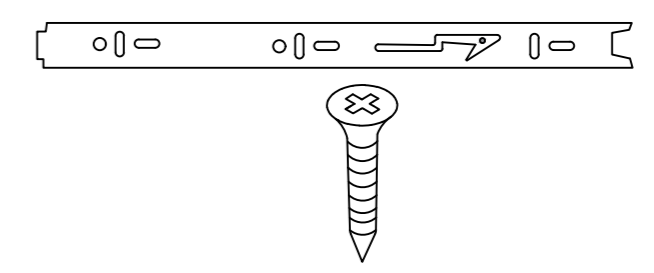


A

8pcs

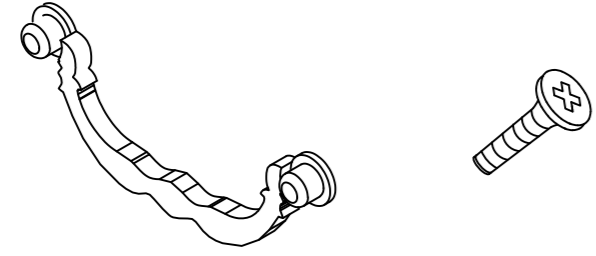
B

8pcs

D

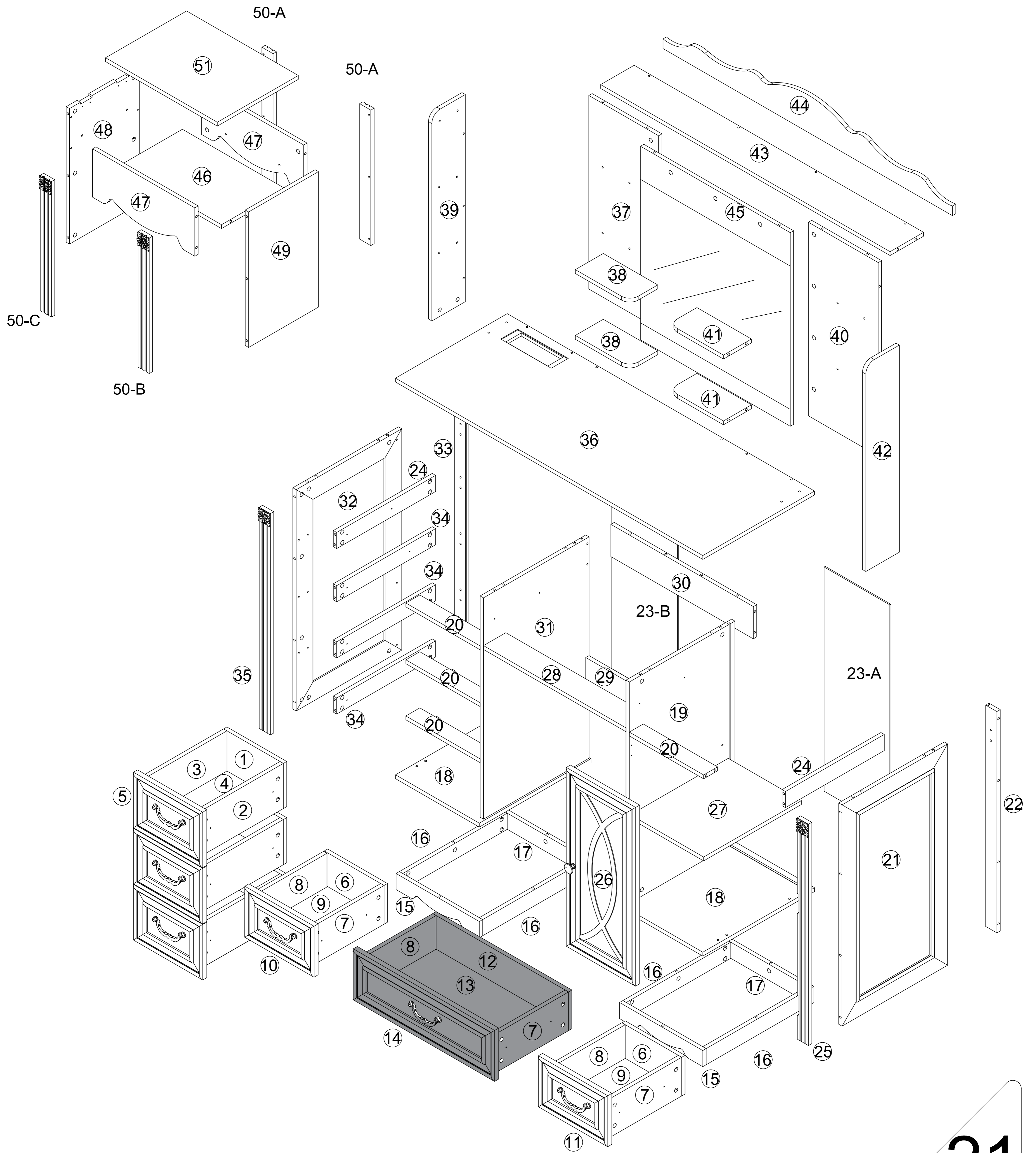
2pcs

4pcs

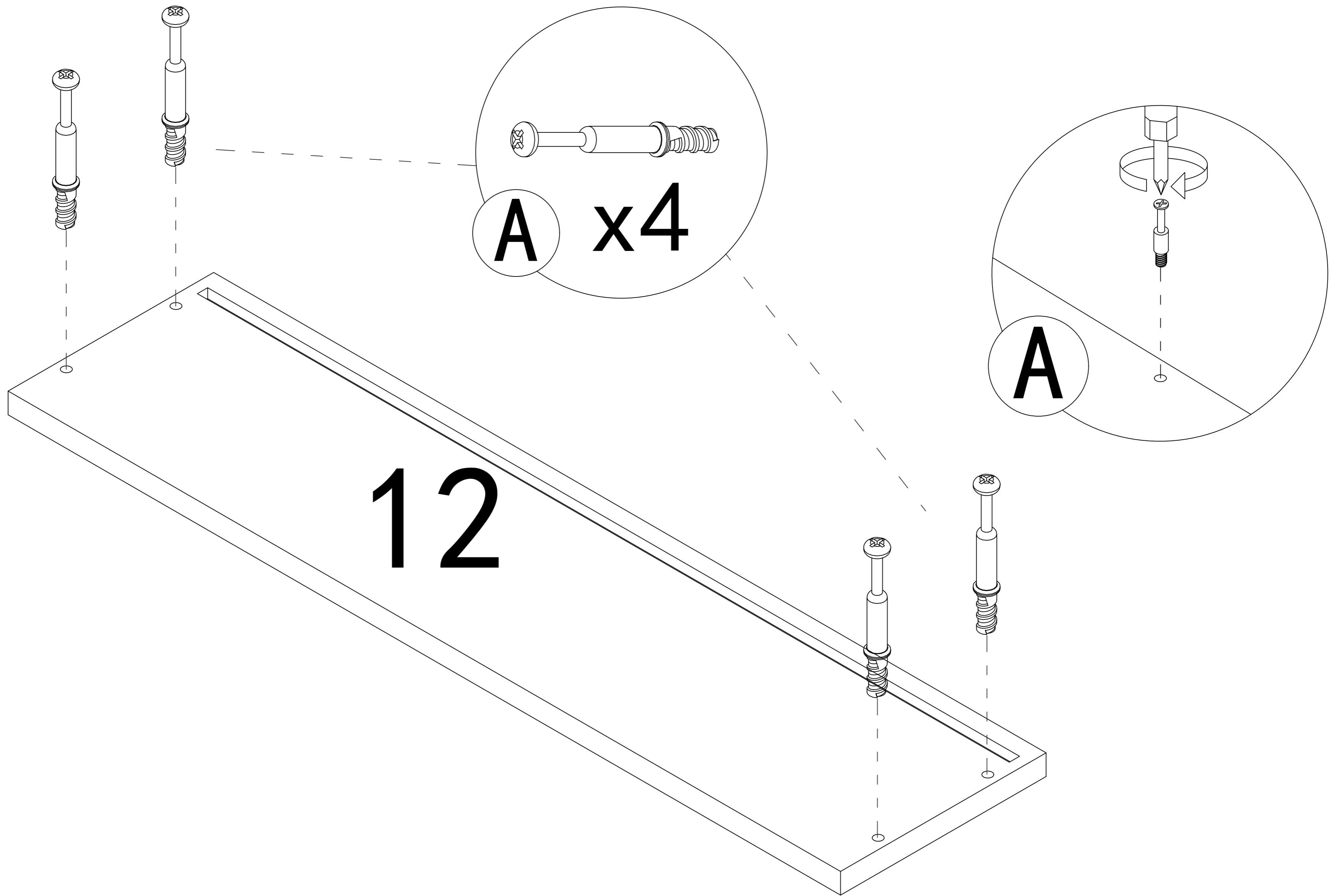
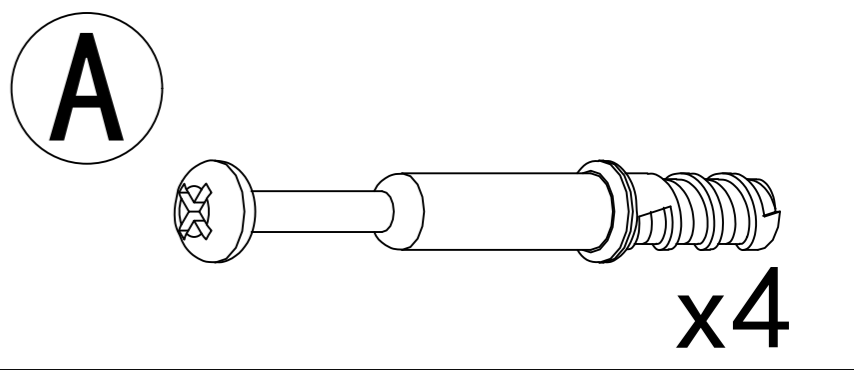
E

1pcs

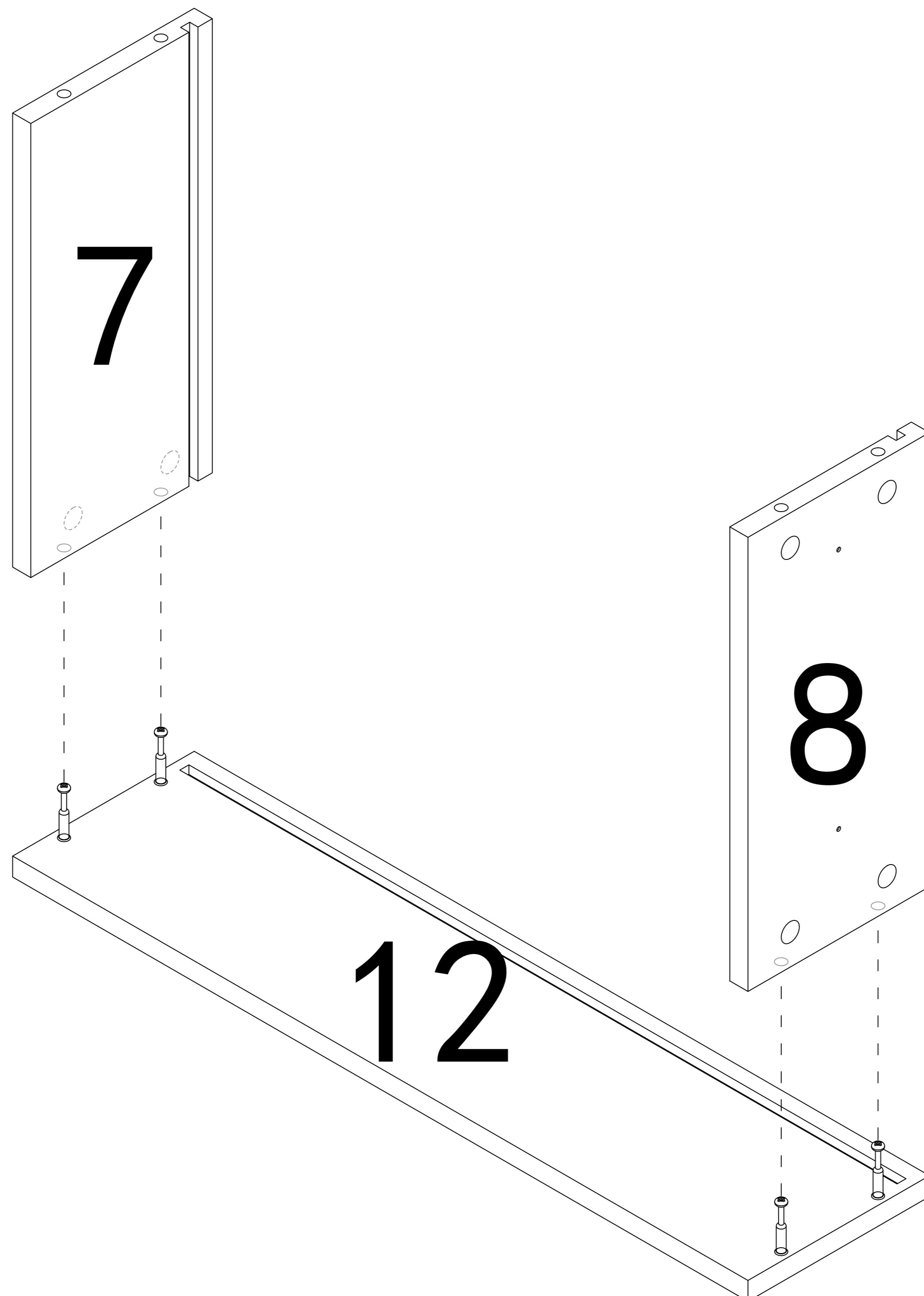
2pcs



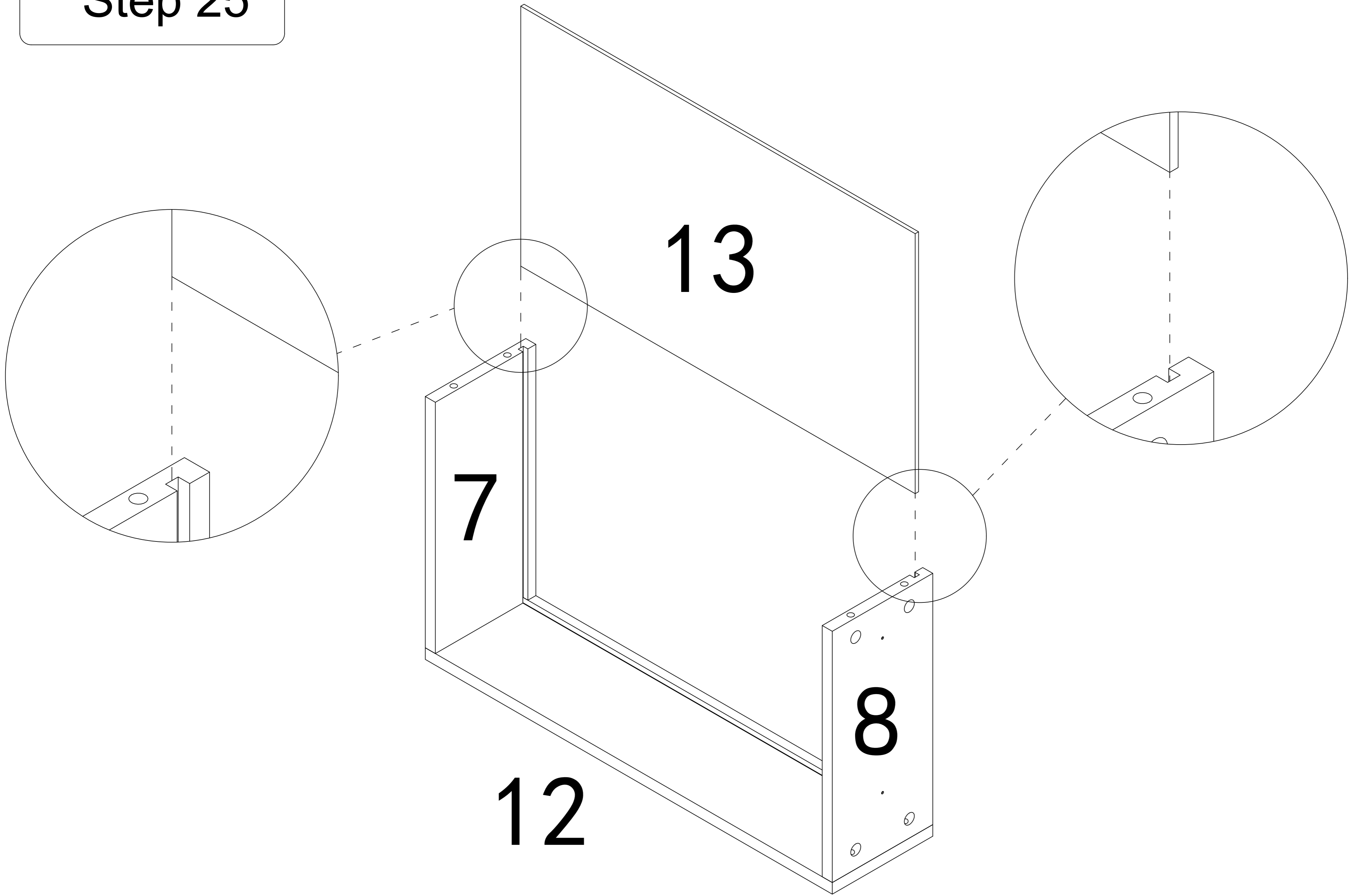
Step 23



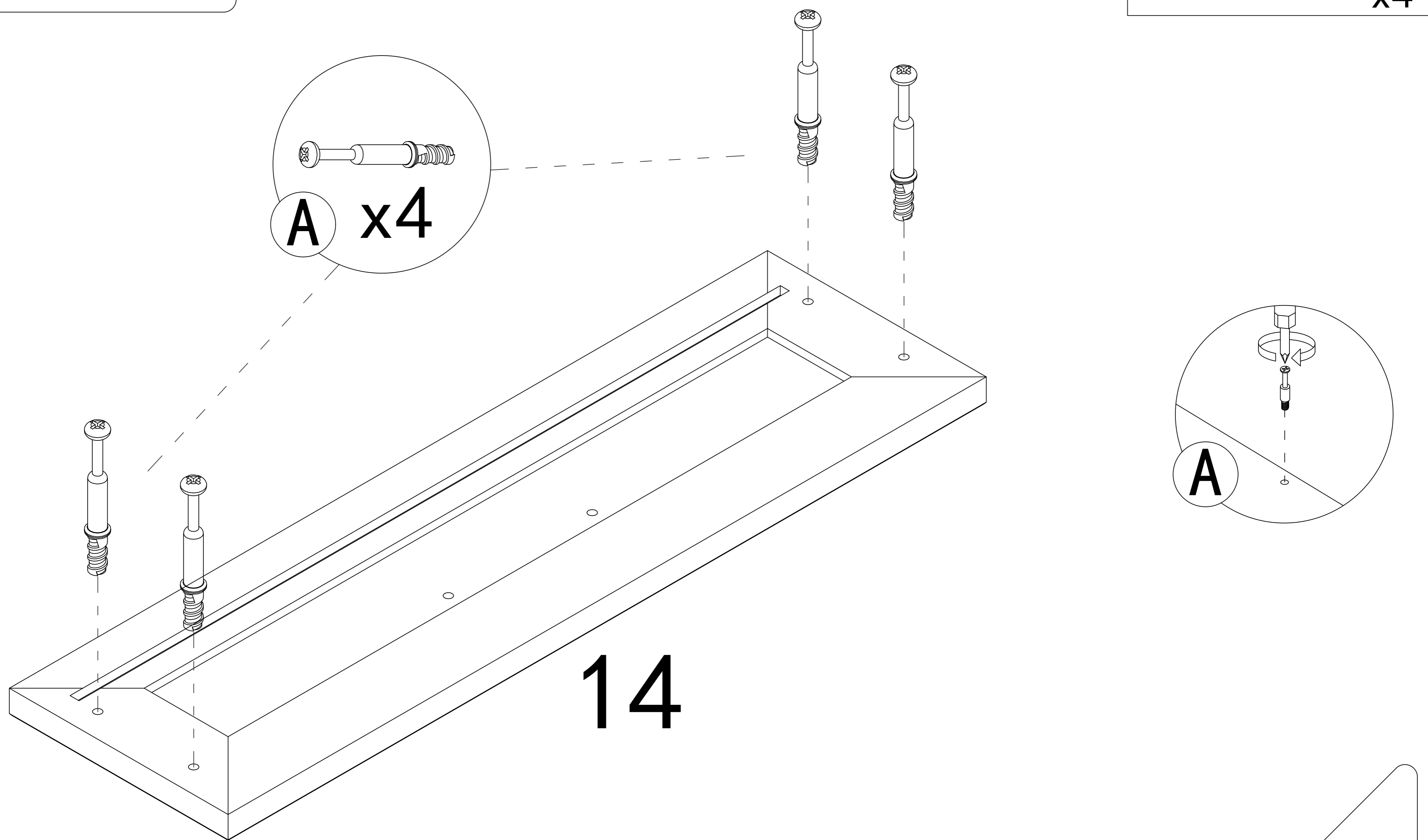
Step 24



Step 25

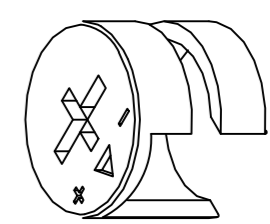


Step 26

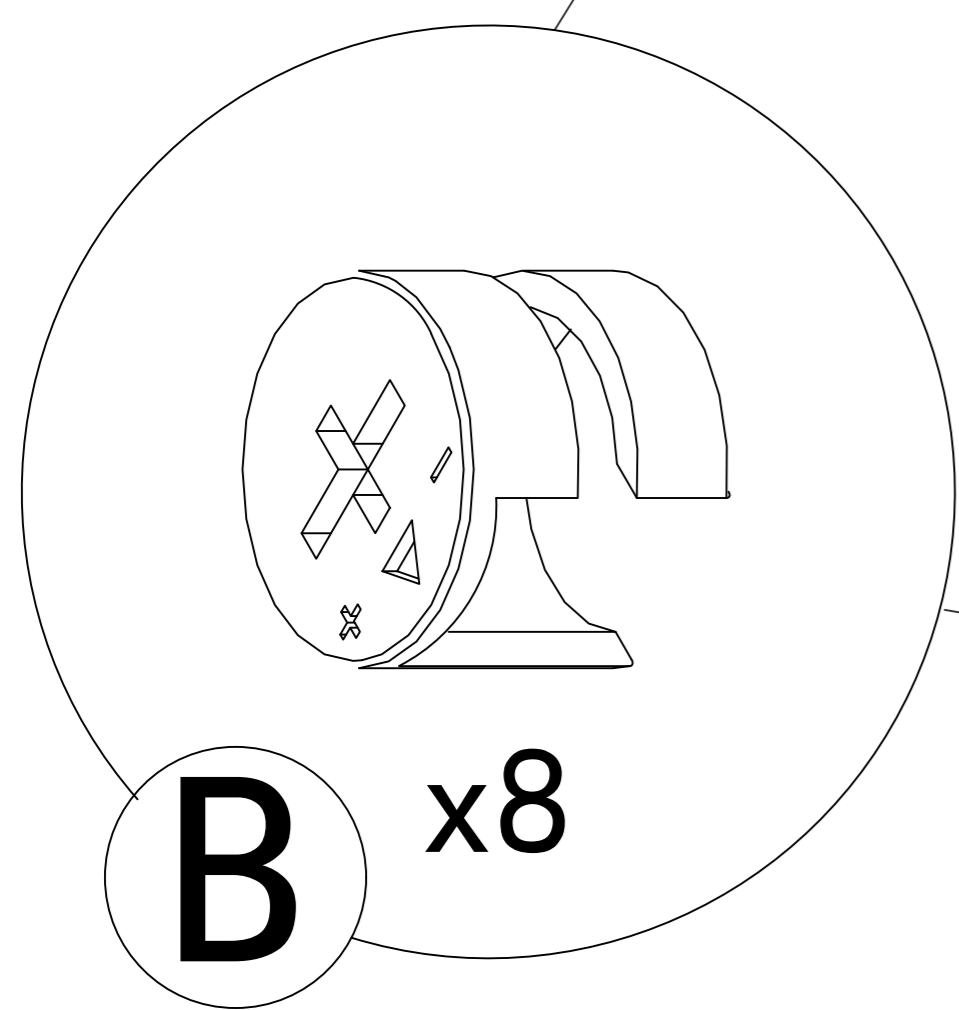


Step 27

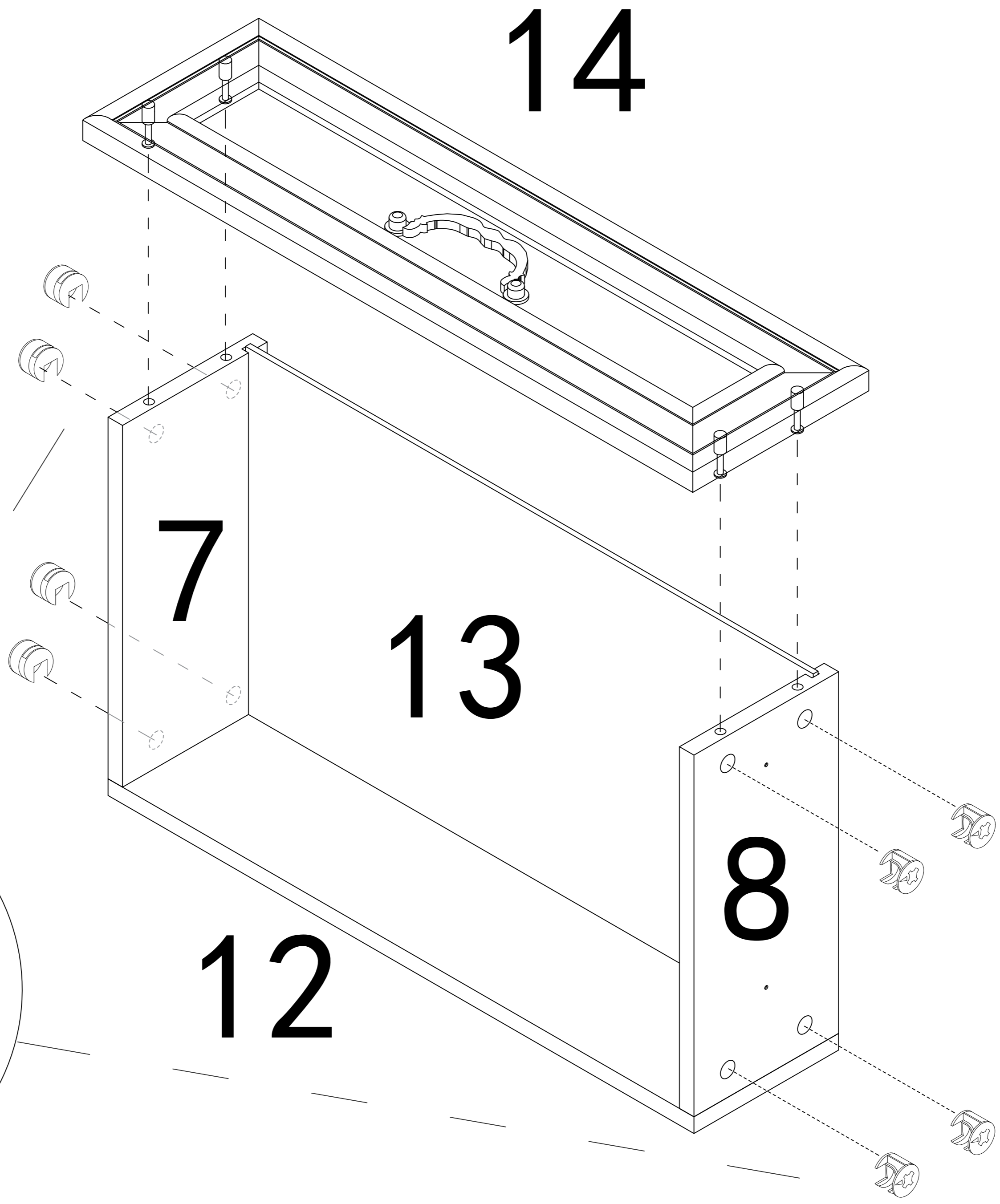
B



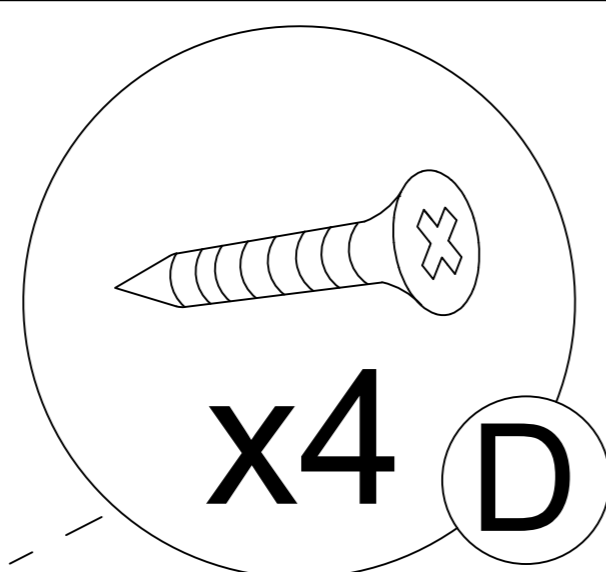
x8



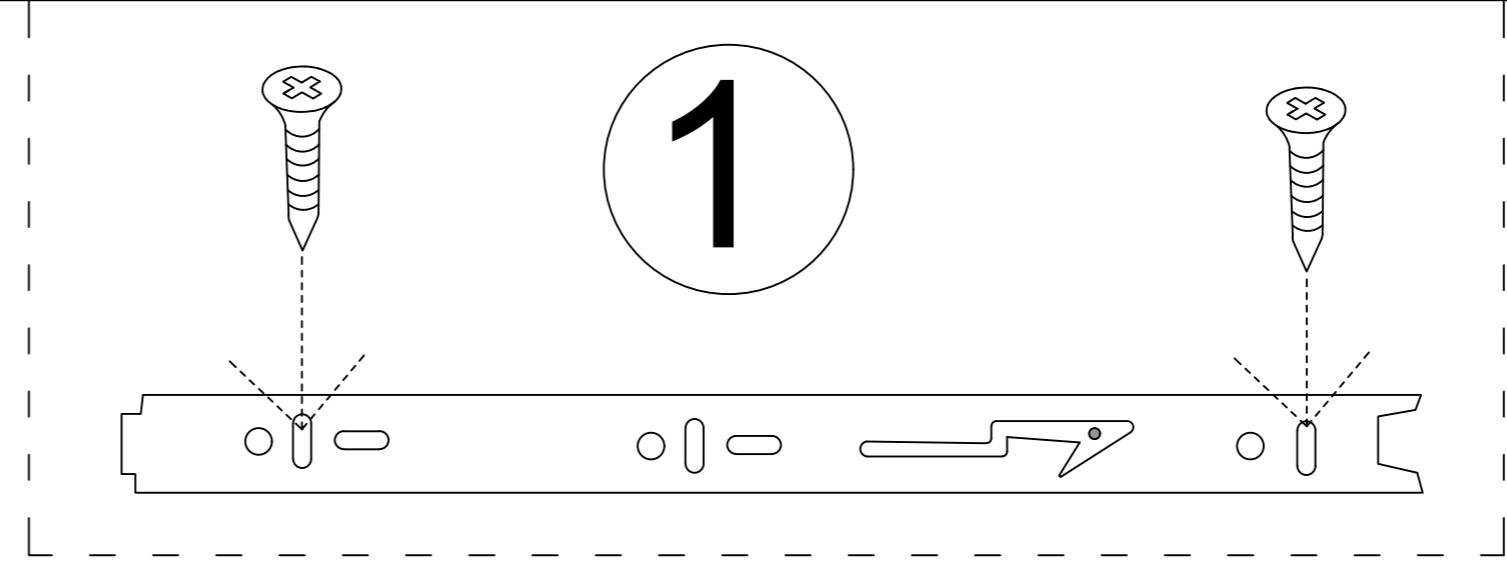
B x8



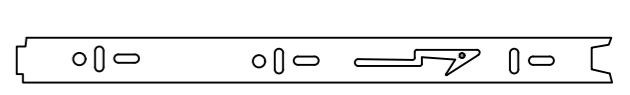
Step 28



x4 D



D

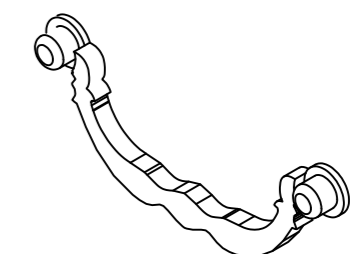


x2



x4

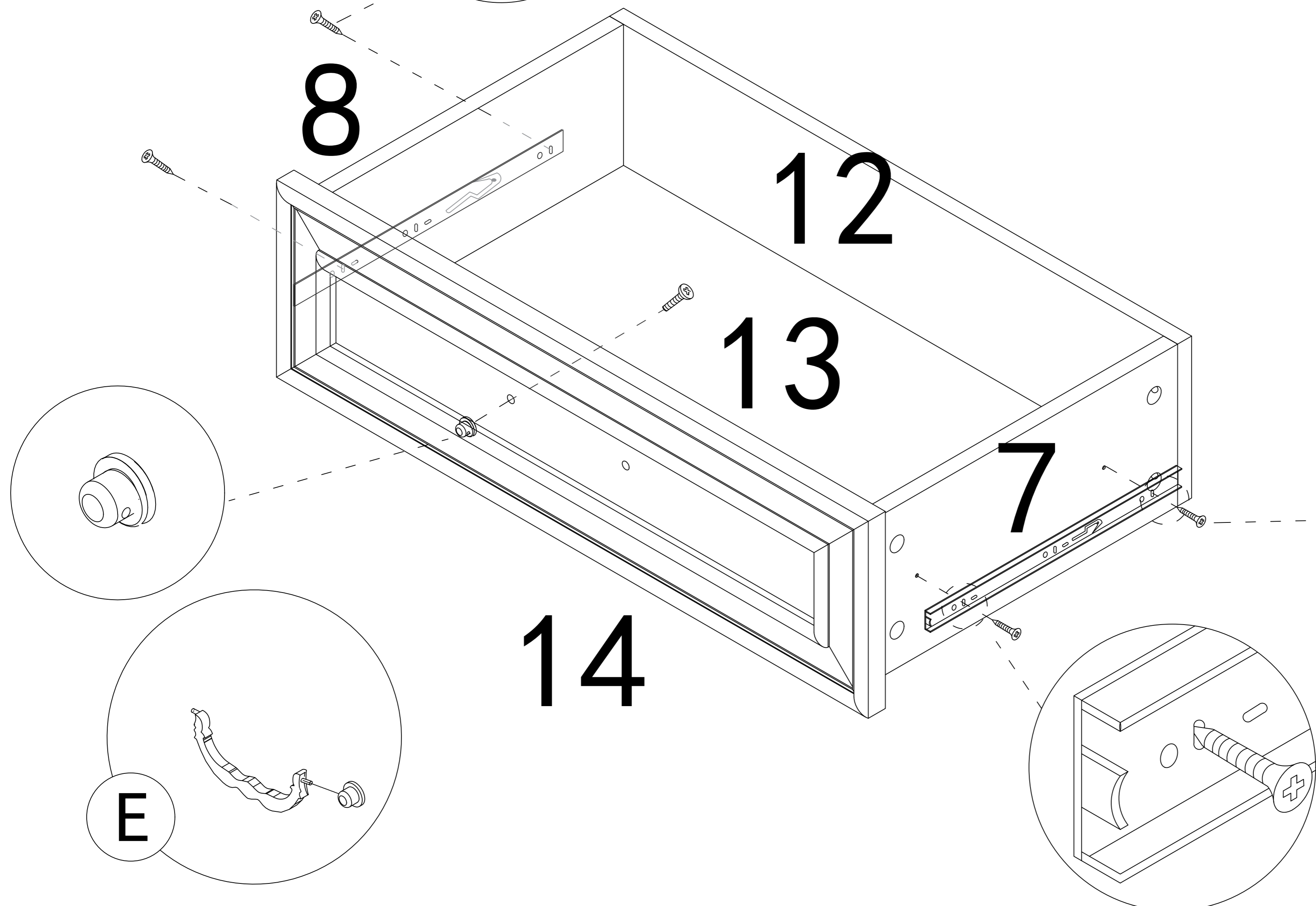
E



x1



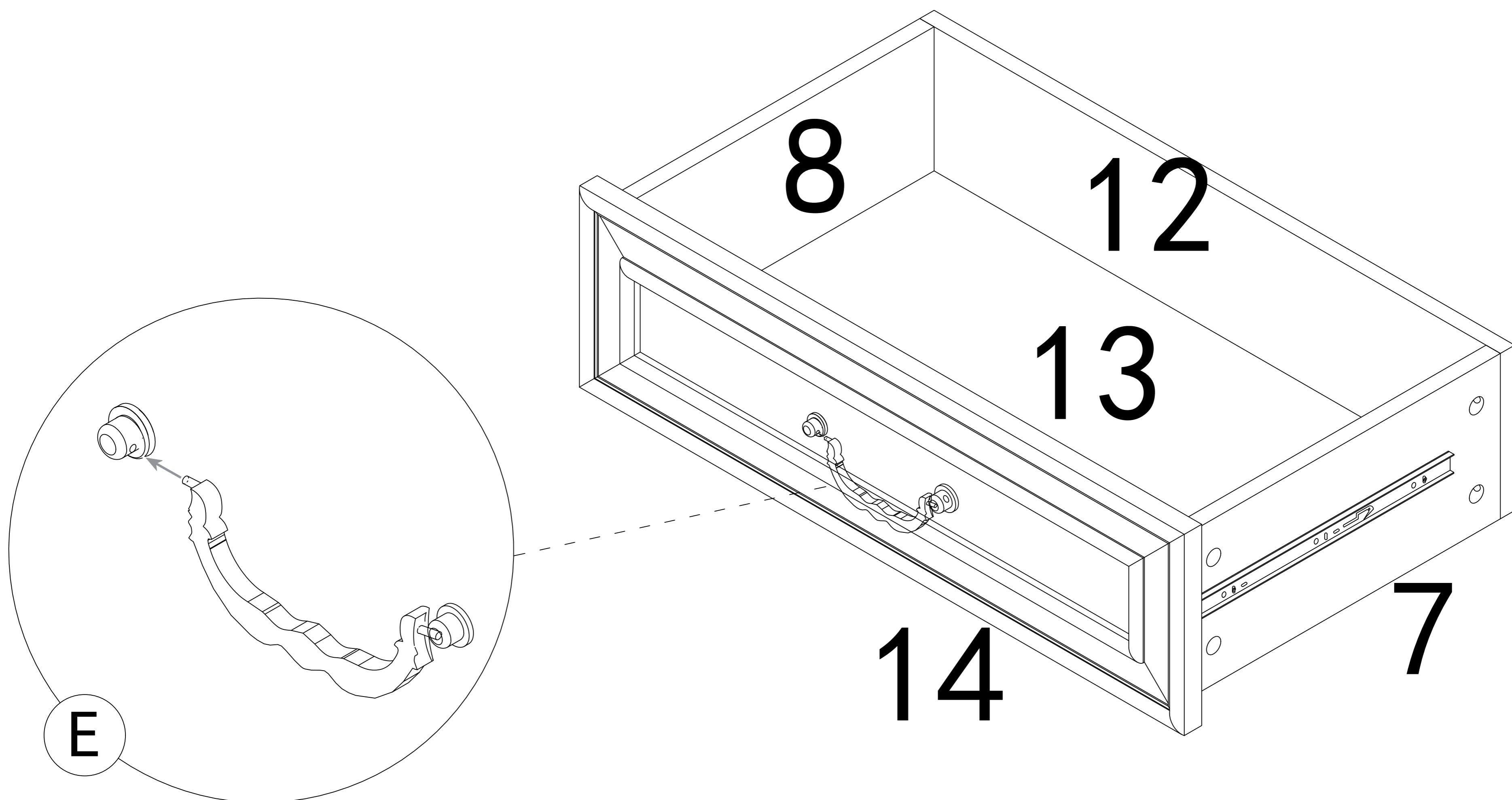
x1



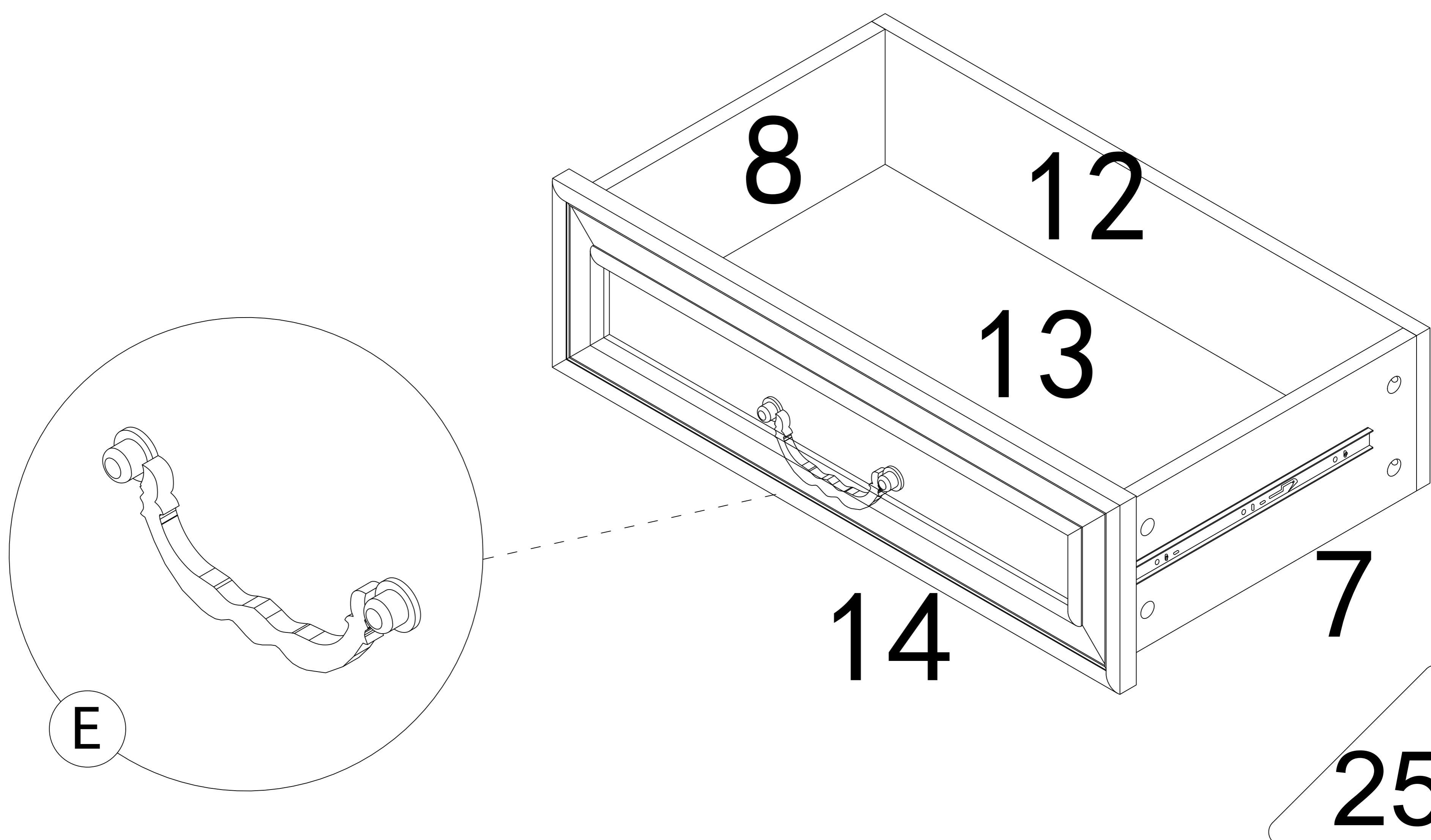
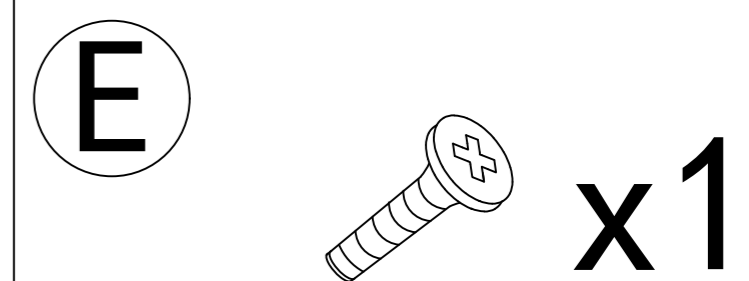
E

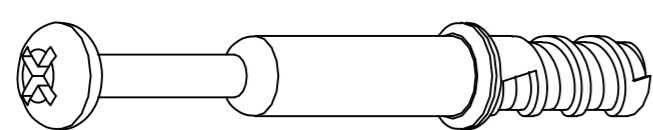
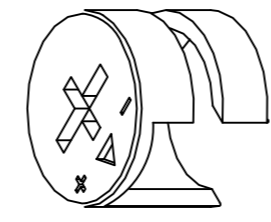
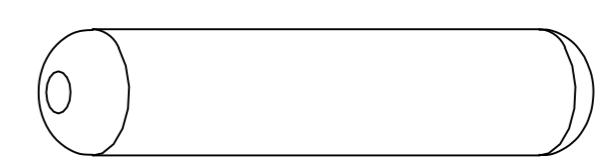
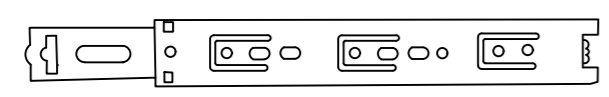
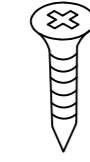
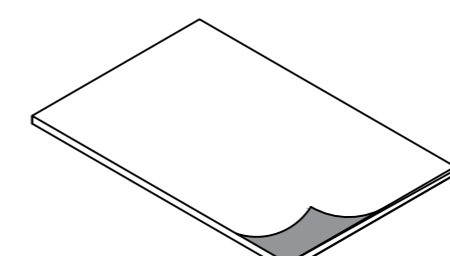
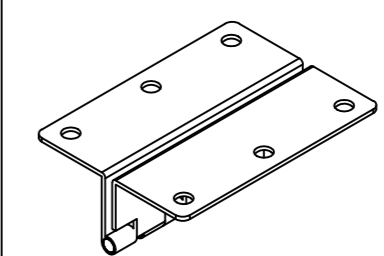
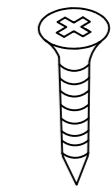
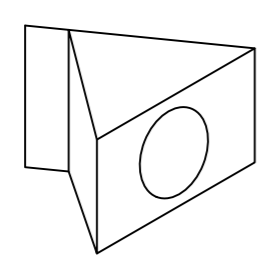
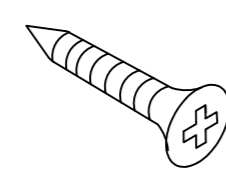
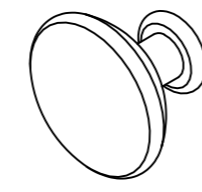

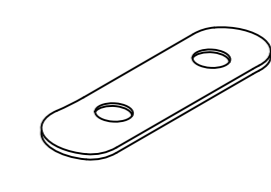
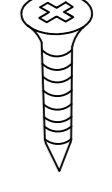
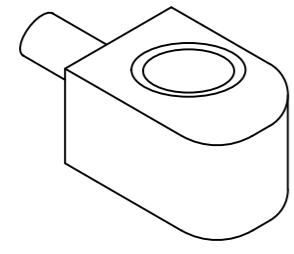
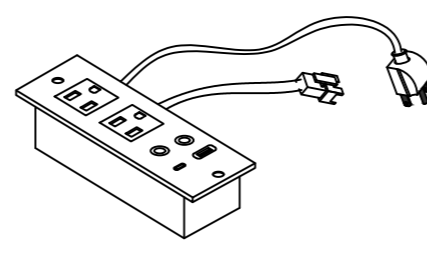
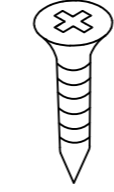
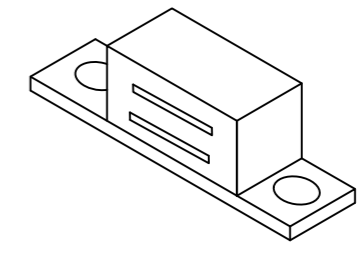
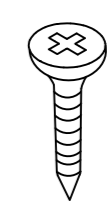
24

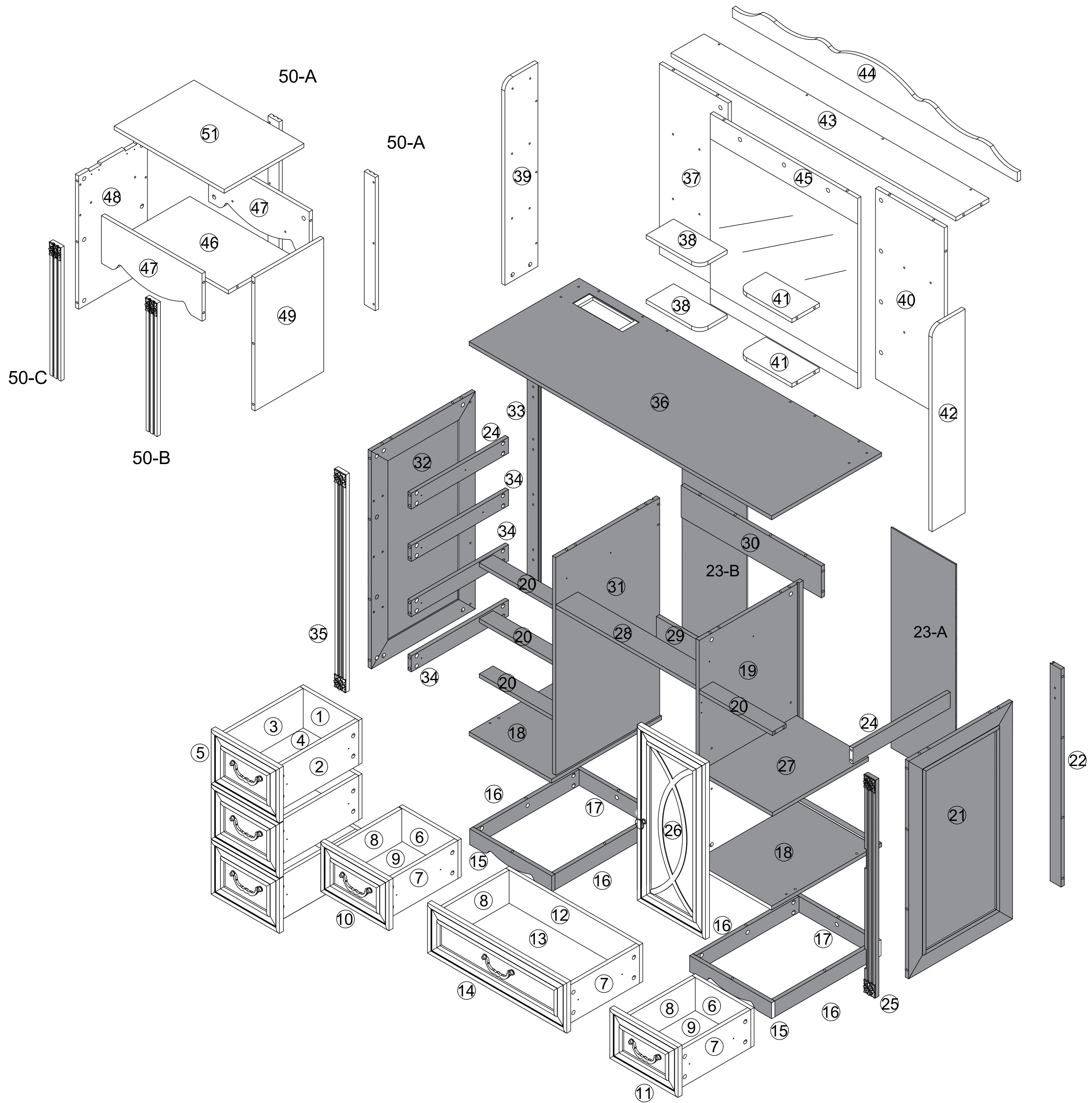
Step 29



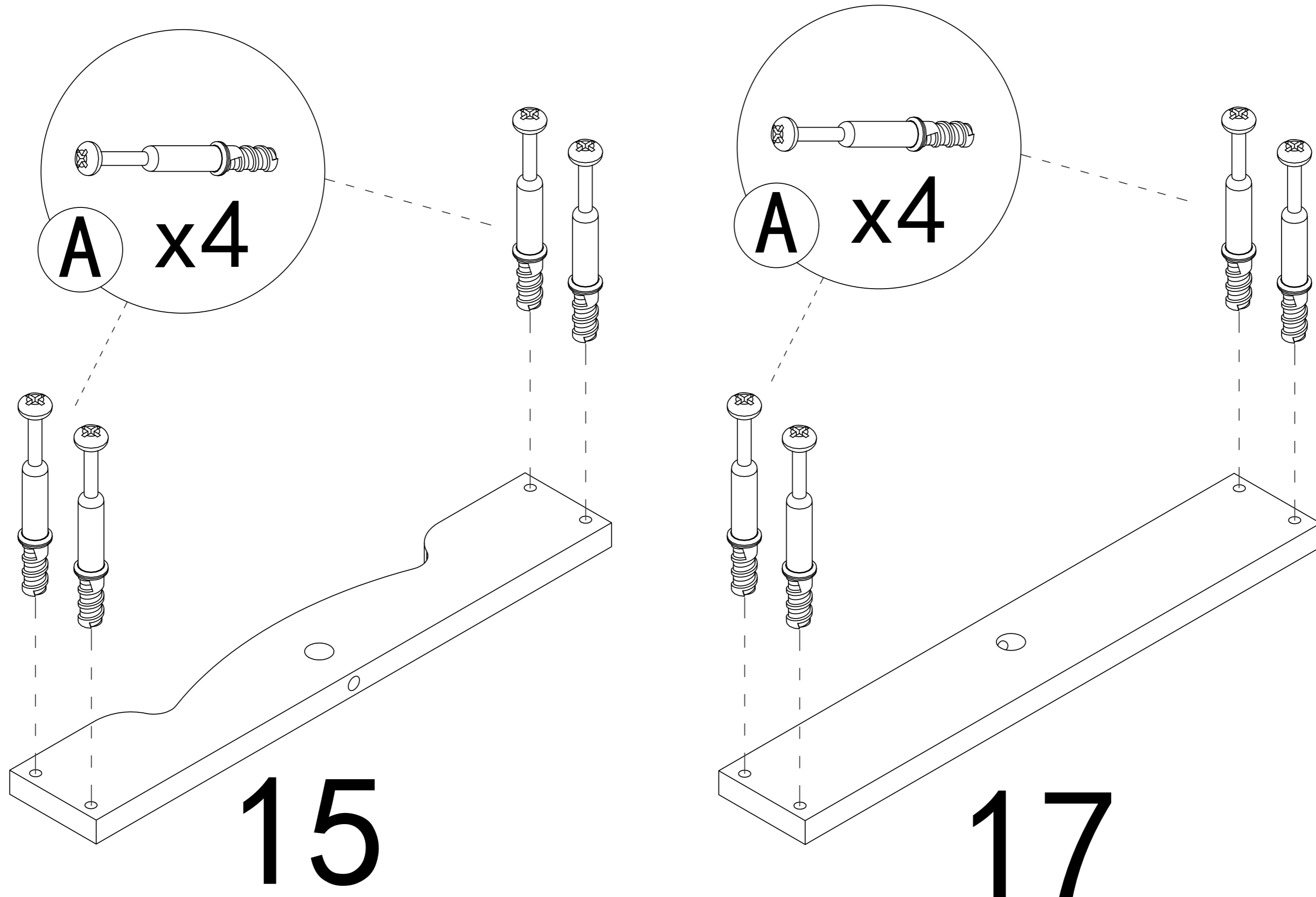
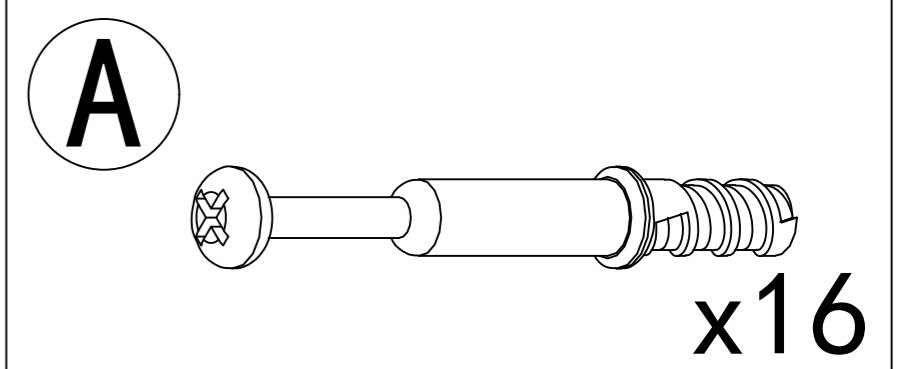
Step 30



A		118pcs	B		108pcs	C		16pcs
D	 	12pcs 36pcs	F		8pcs	G	 	2pcs 6pcs
H	 	8pcs 8pcs	I	 	1pcs 1pcs	J	 	1pcs 2pcs
K		4pcs	L	 	1pcs 2pcs		 	1pcs 2pcs

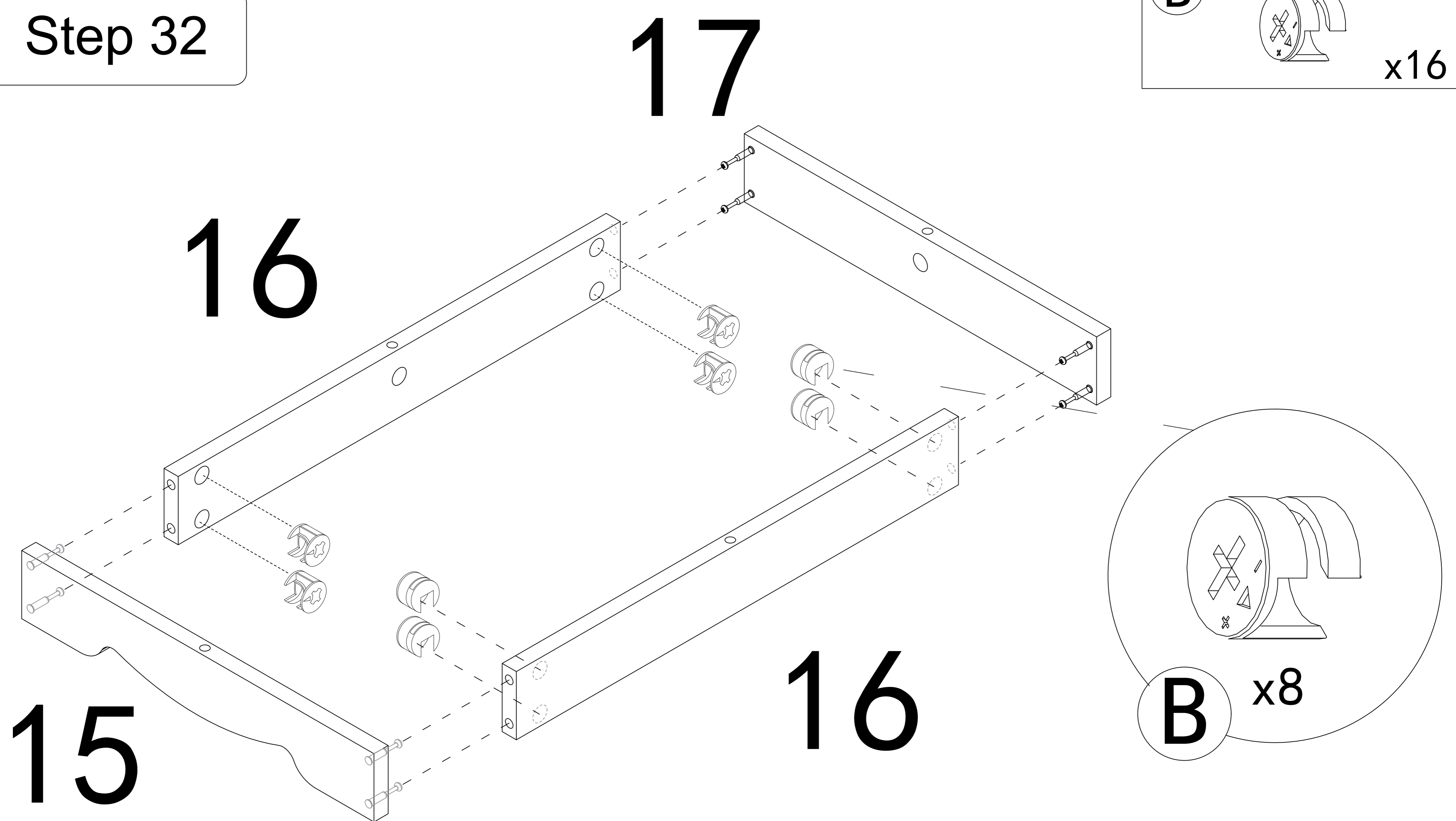
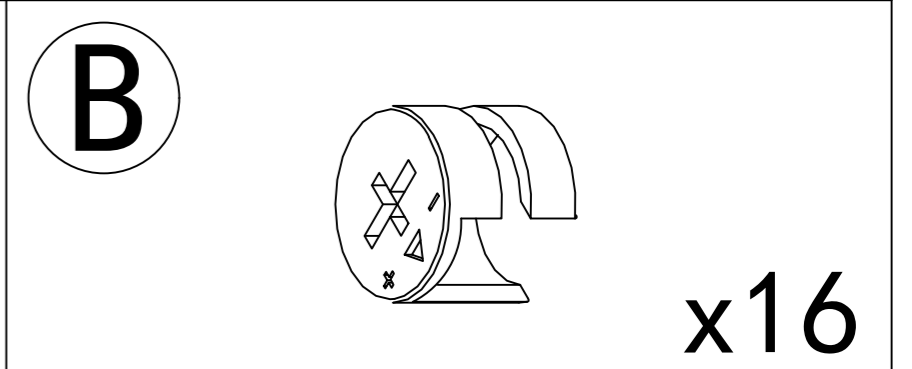


Step 31



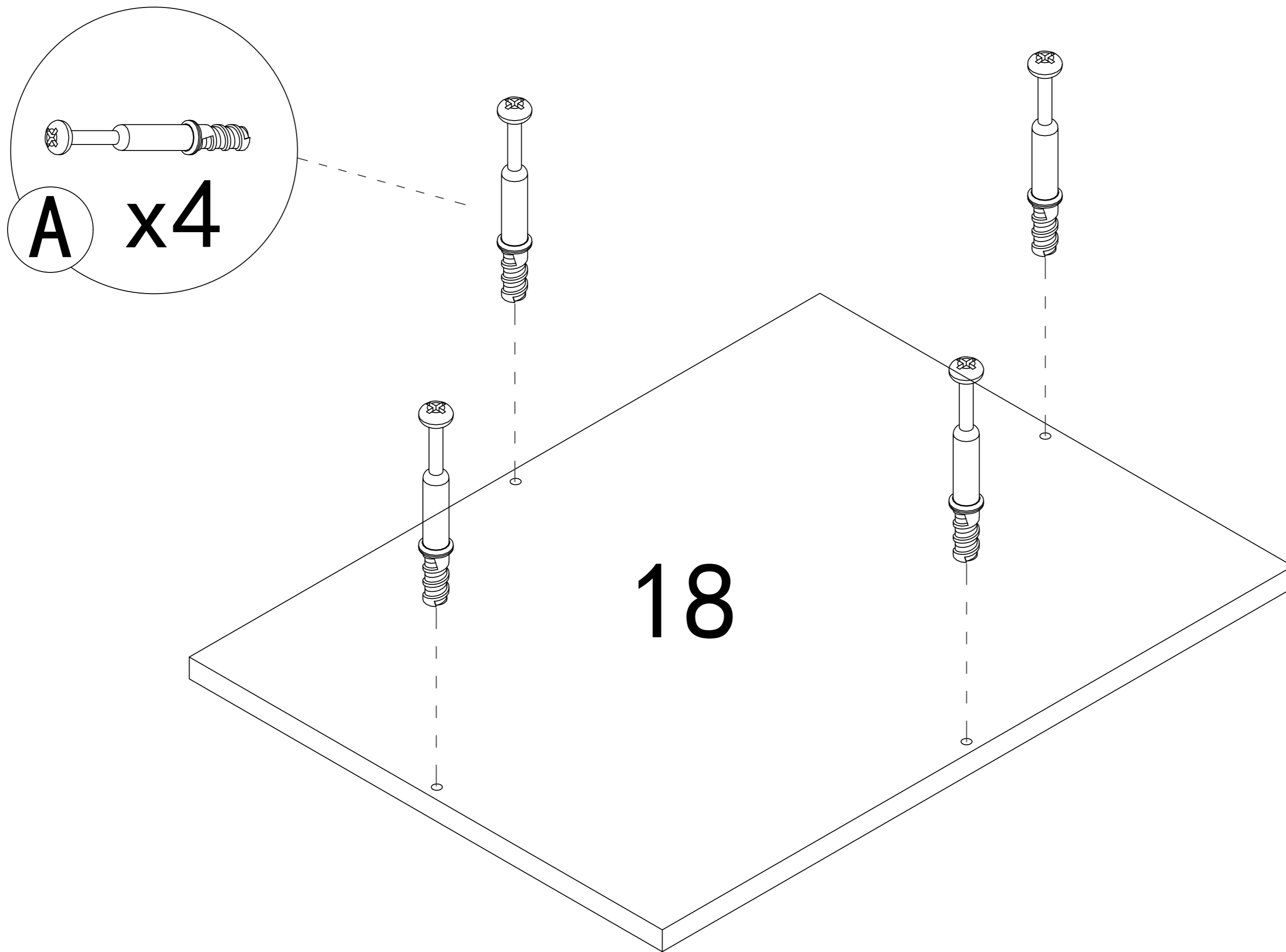
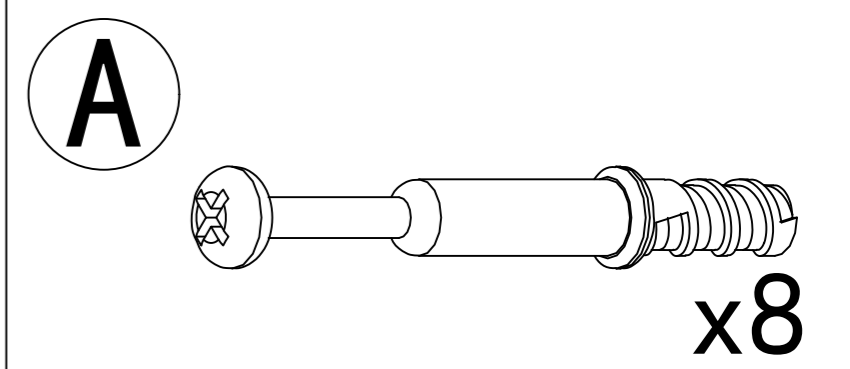
Repeat this step twice

Step 32



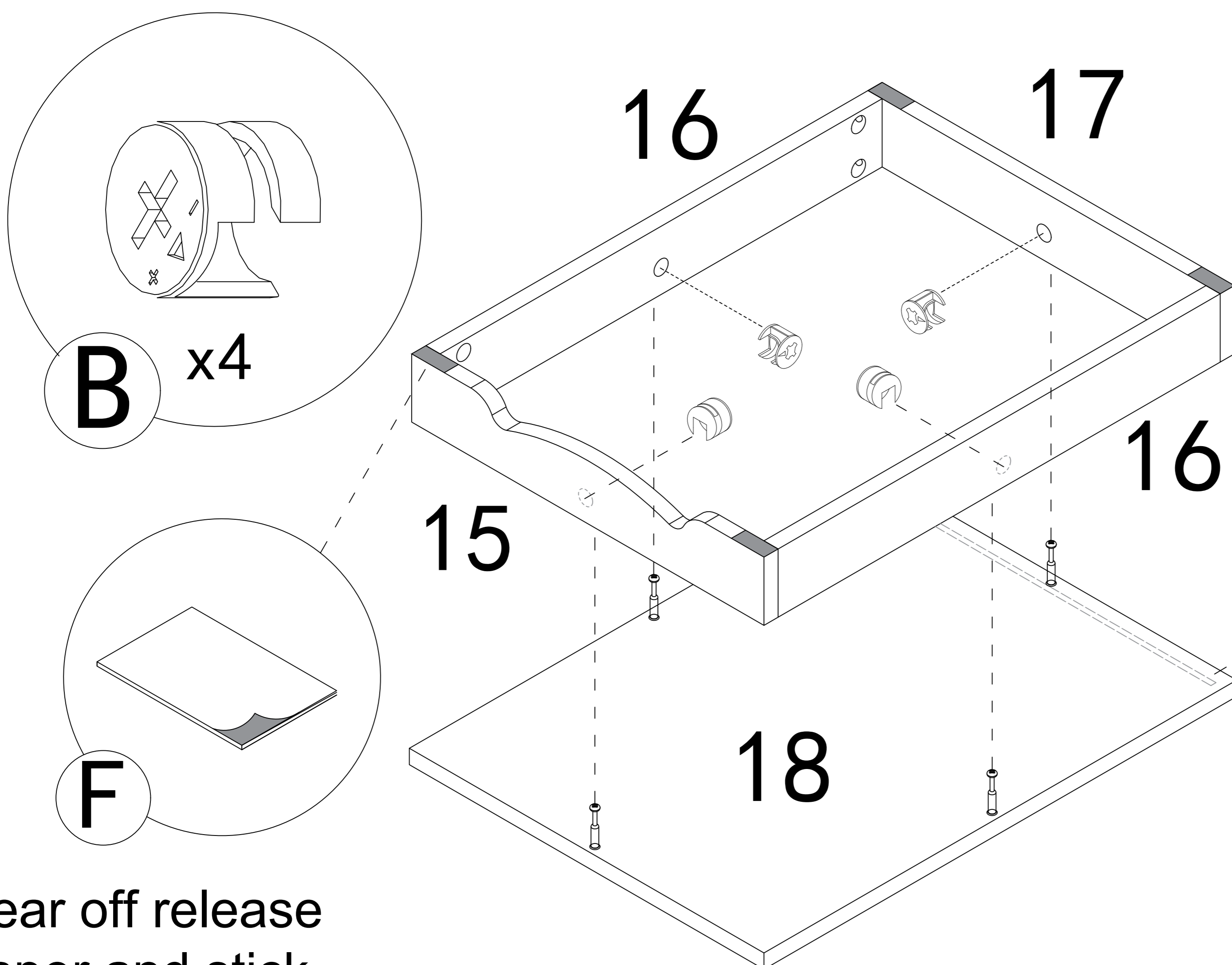
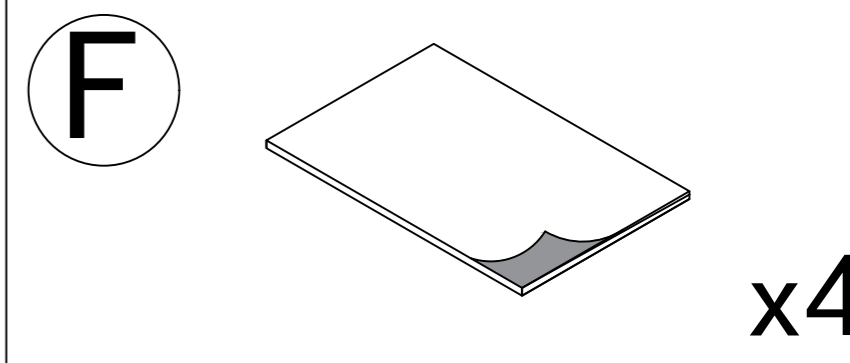
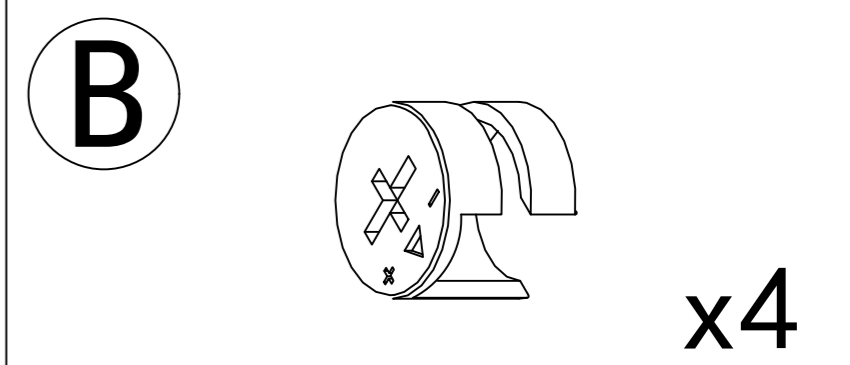
Repeat this step twice

Step 33



Repeat this step twice

Step 34

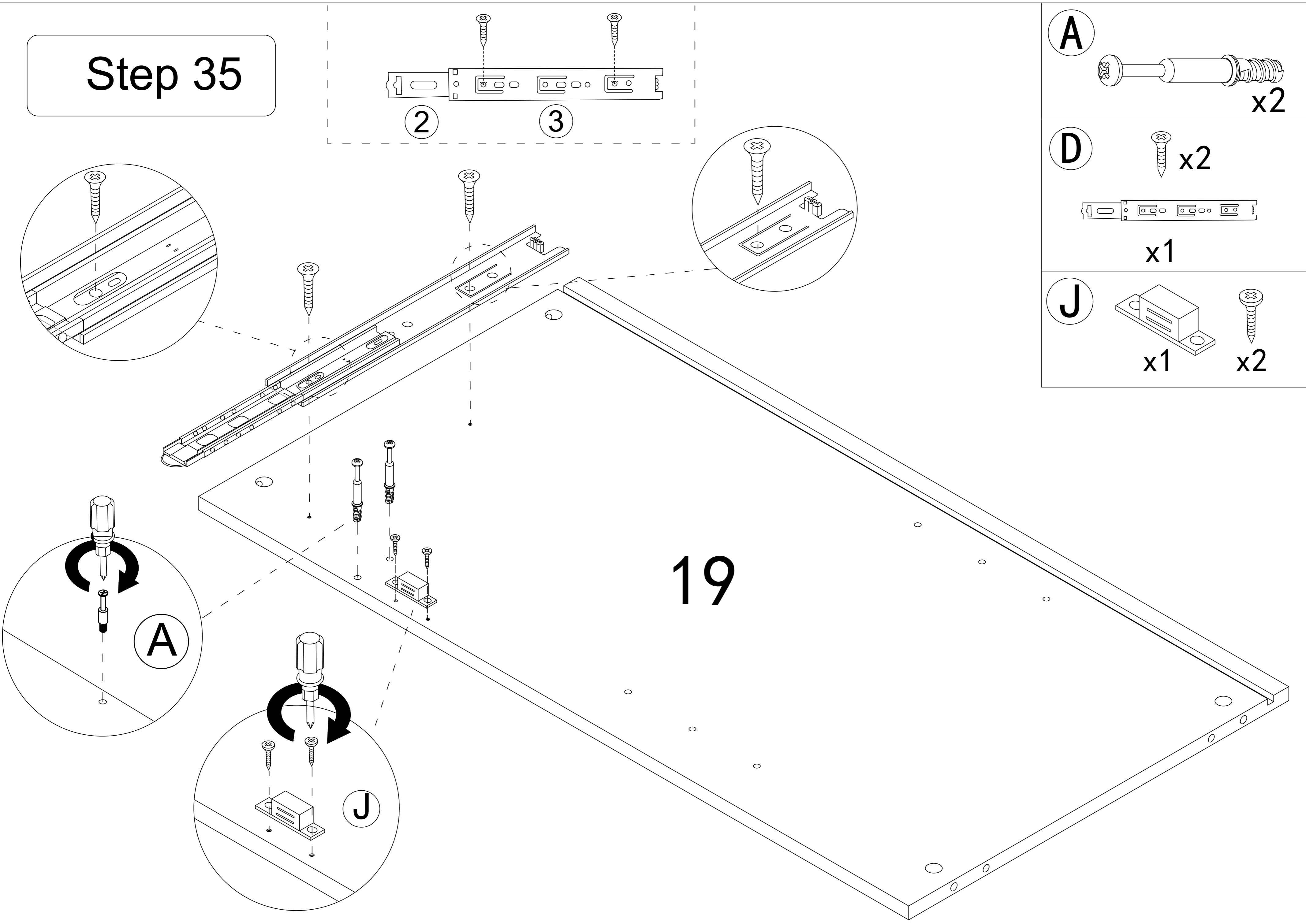


Tear off release paper and stick the black foot pad on the board

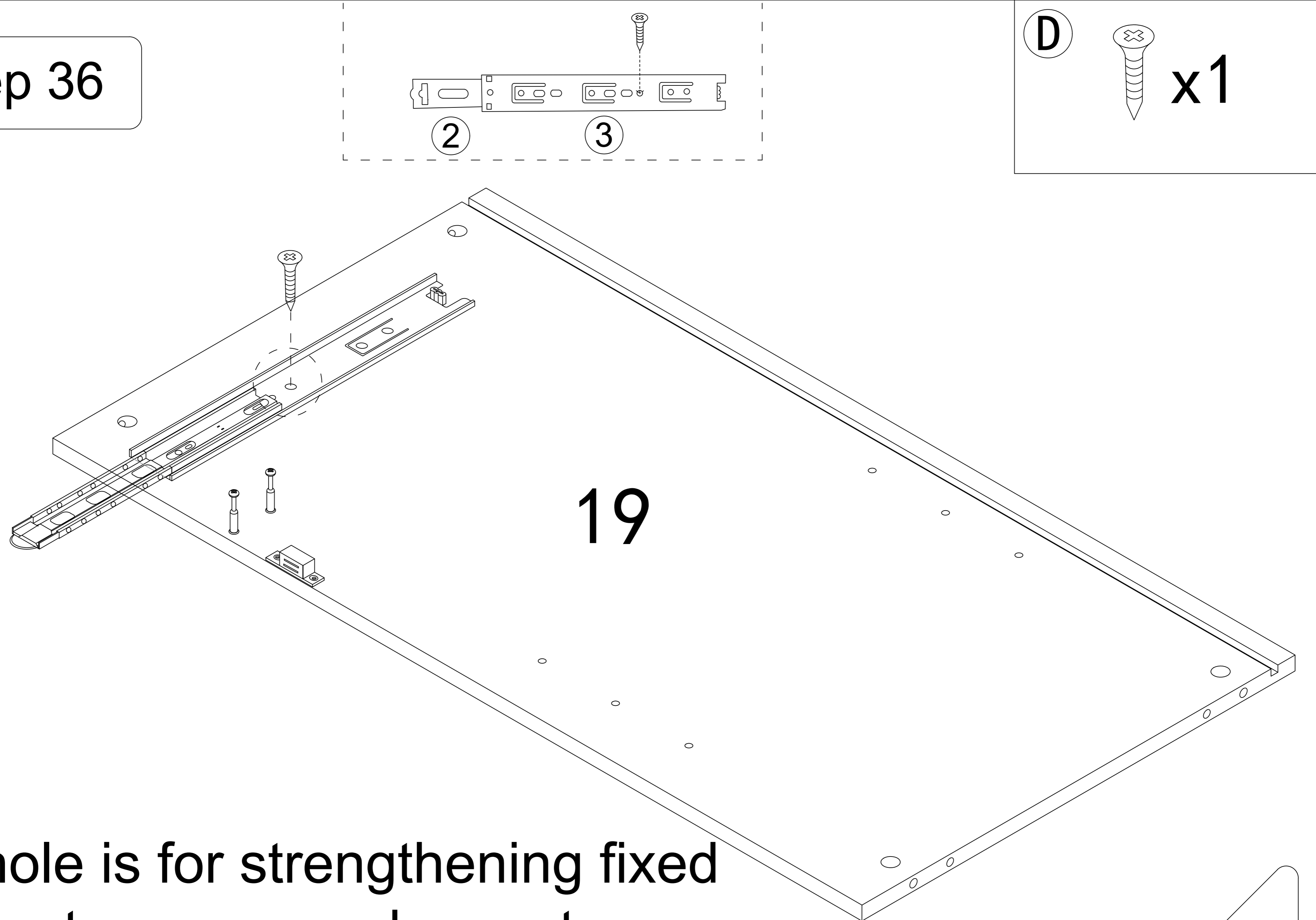
The ones with grooves are at the back

Repeat this step twice

Step 35



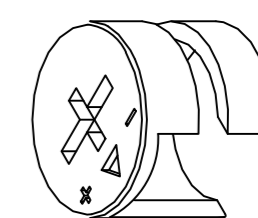
Step 36



This hole is for strengthening fixed hole customers can choose to install according to their needs.

Step 37

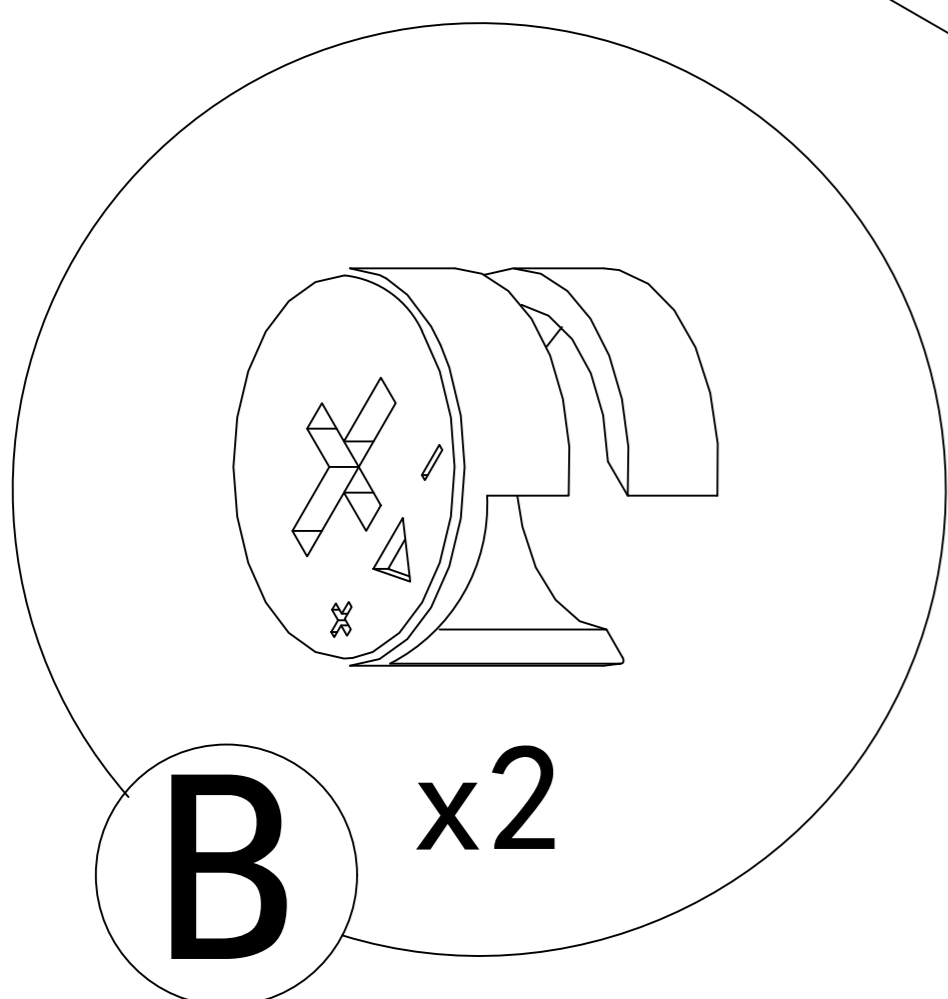
B



x2

20

19

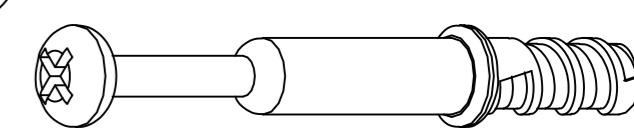


B

x2

Step 38

A



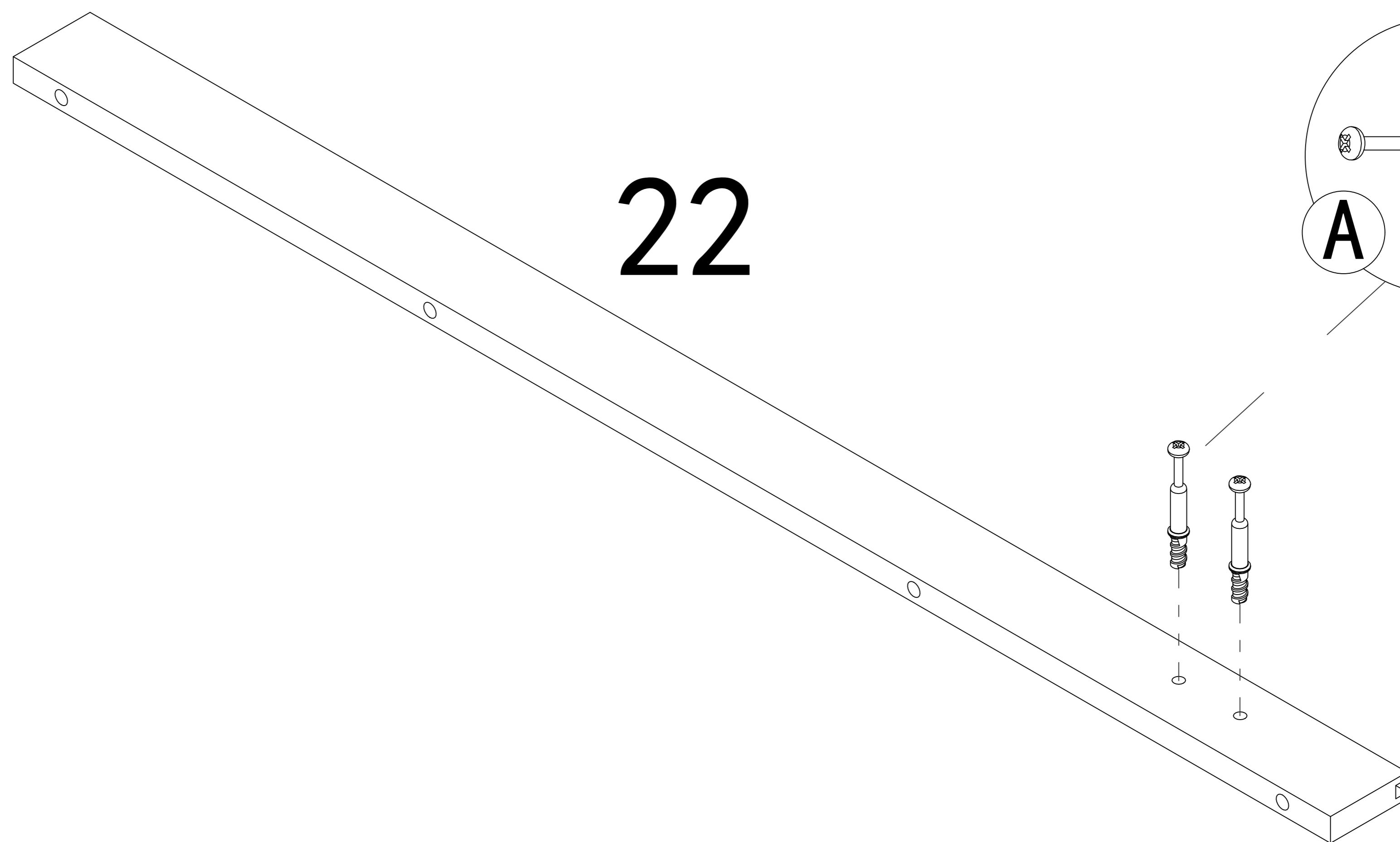
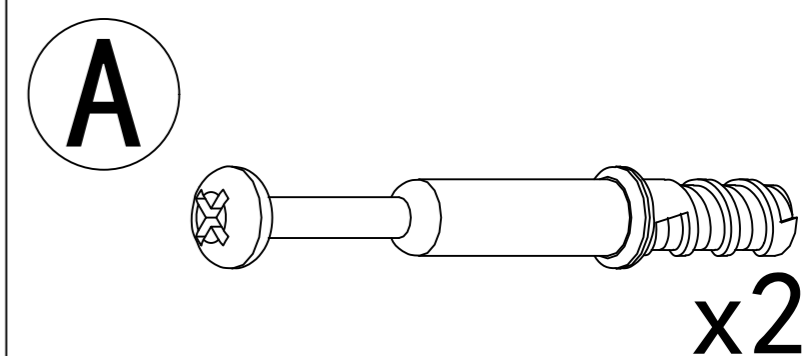
x6

A x6

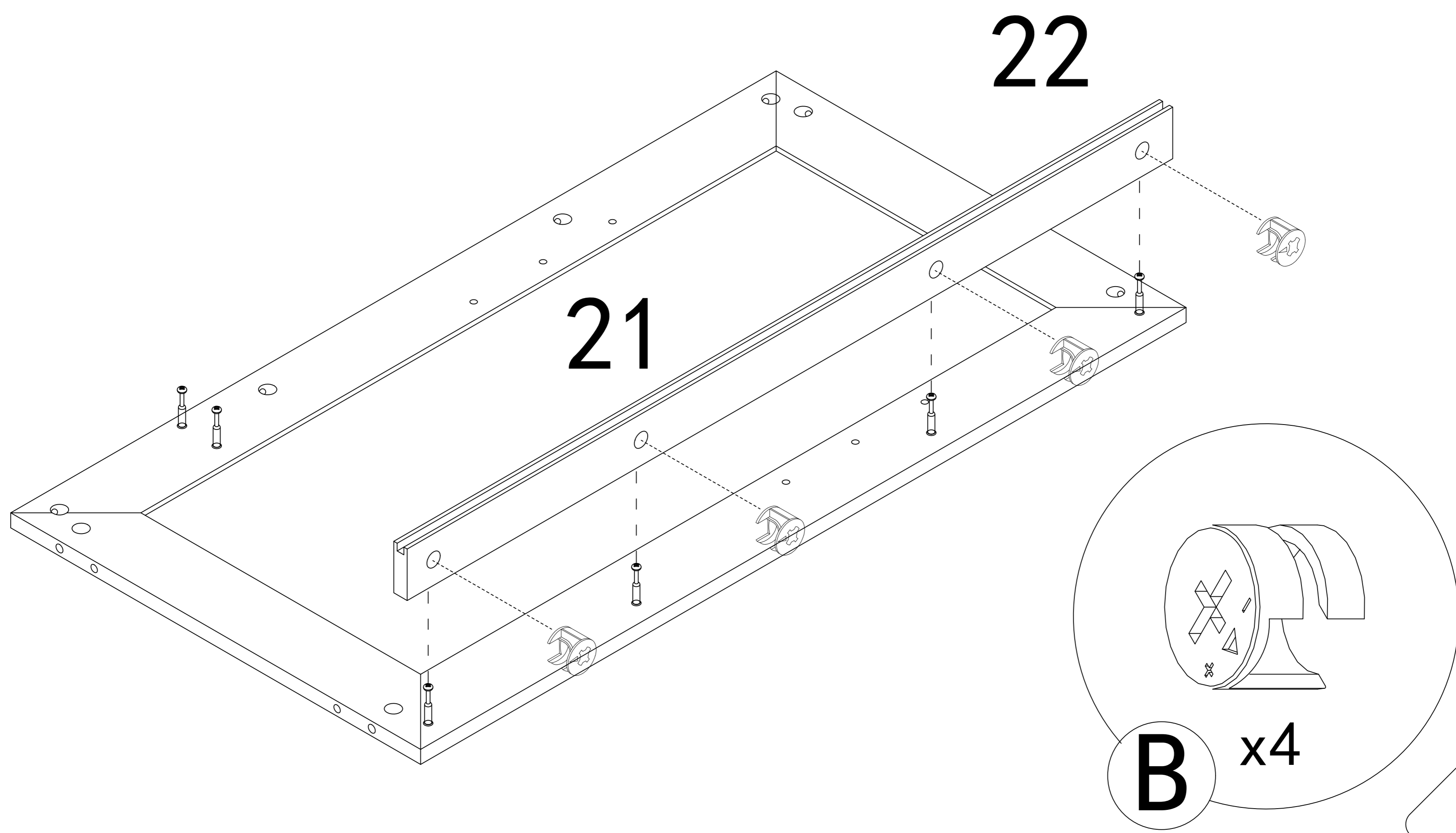
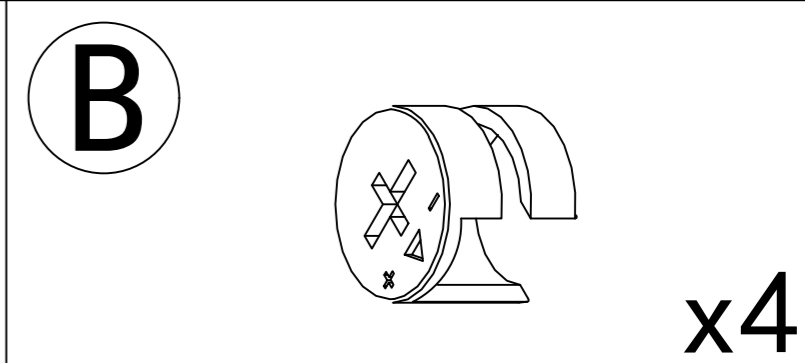
21

30

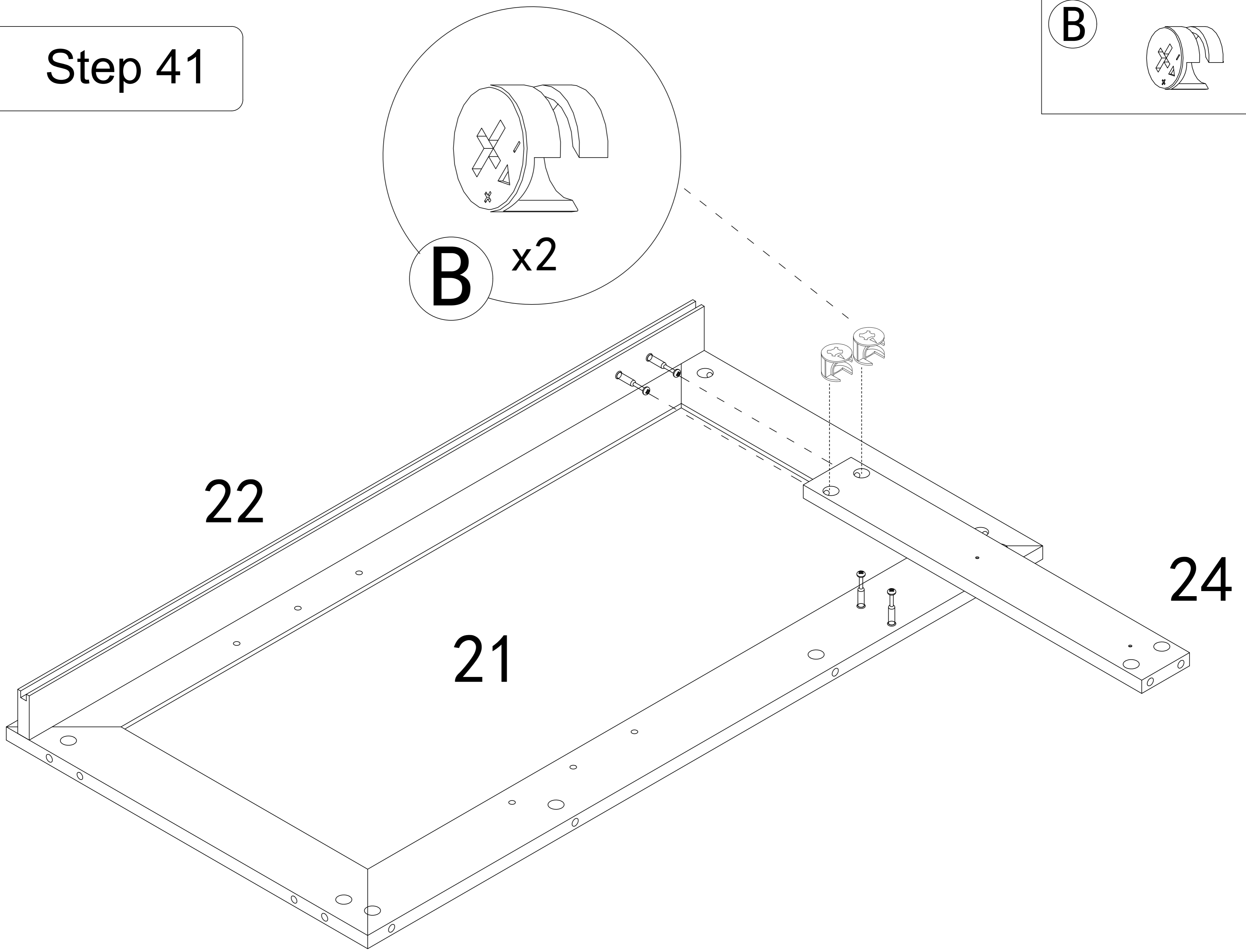
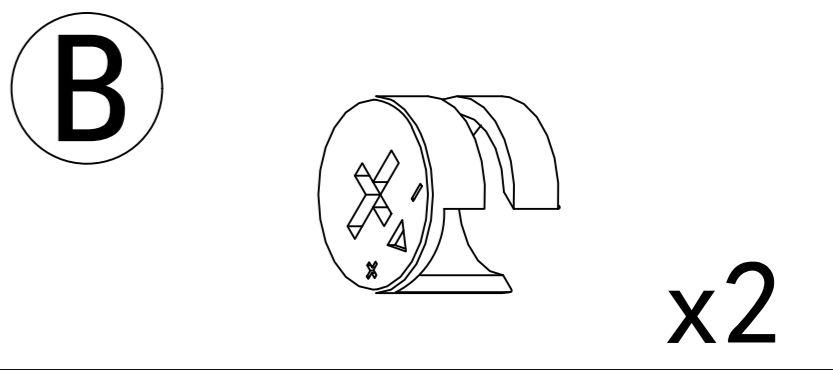
Step 39



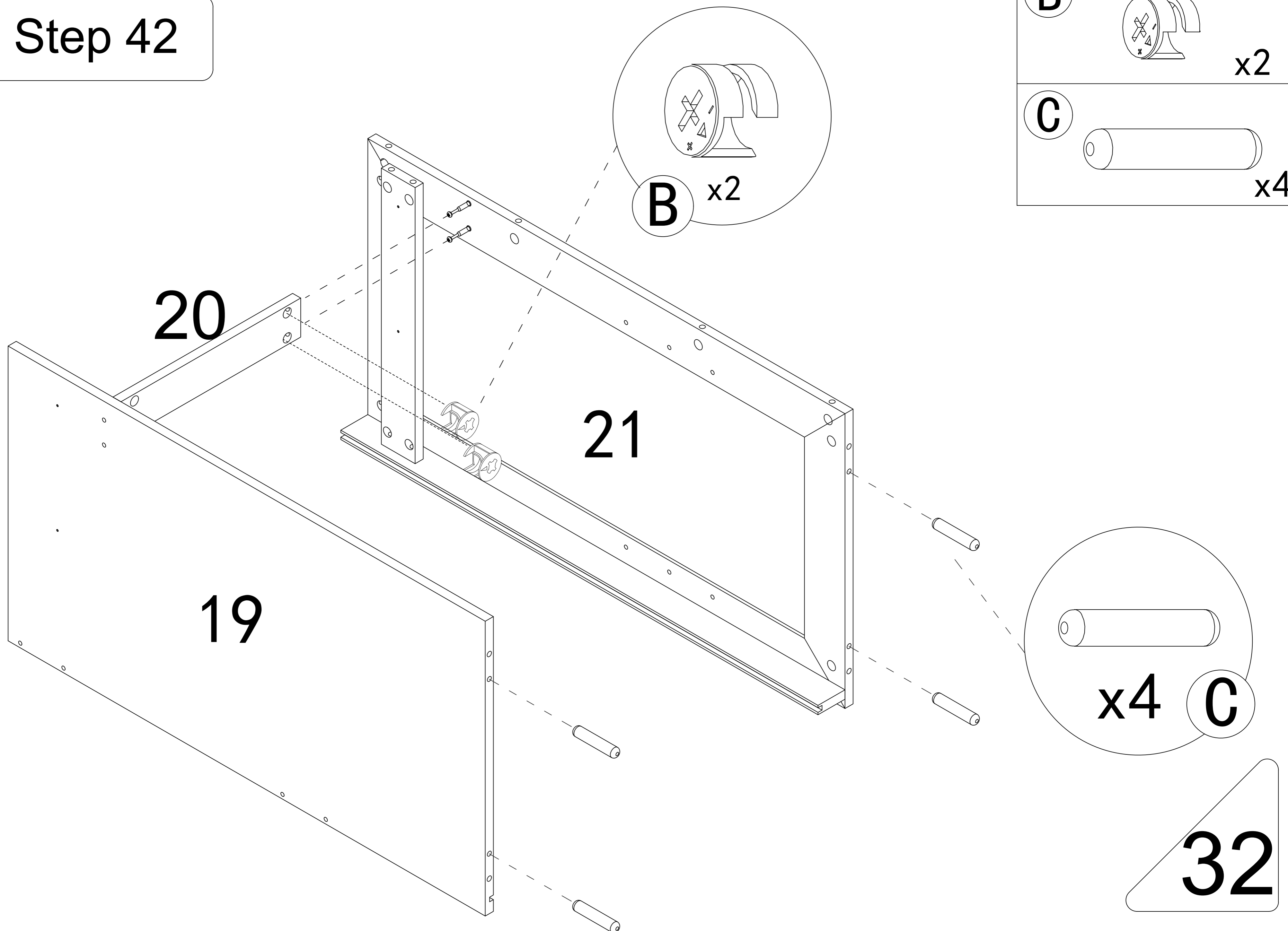
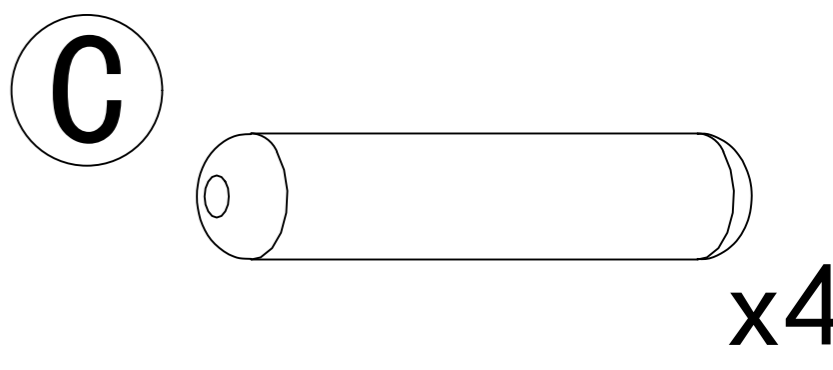
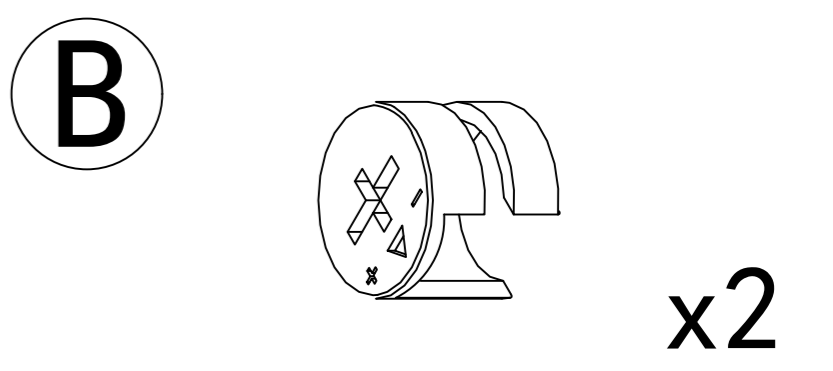
Step 40



Step 41

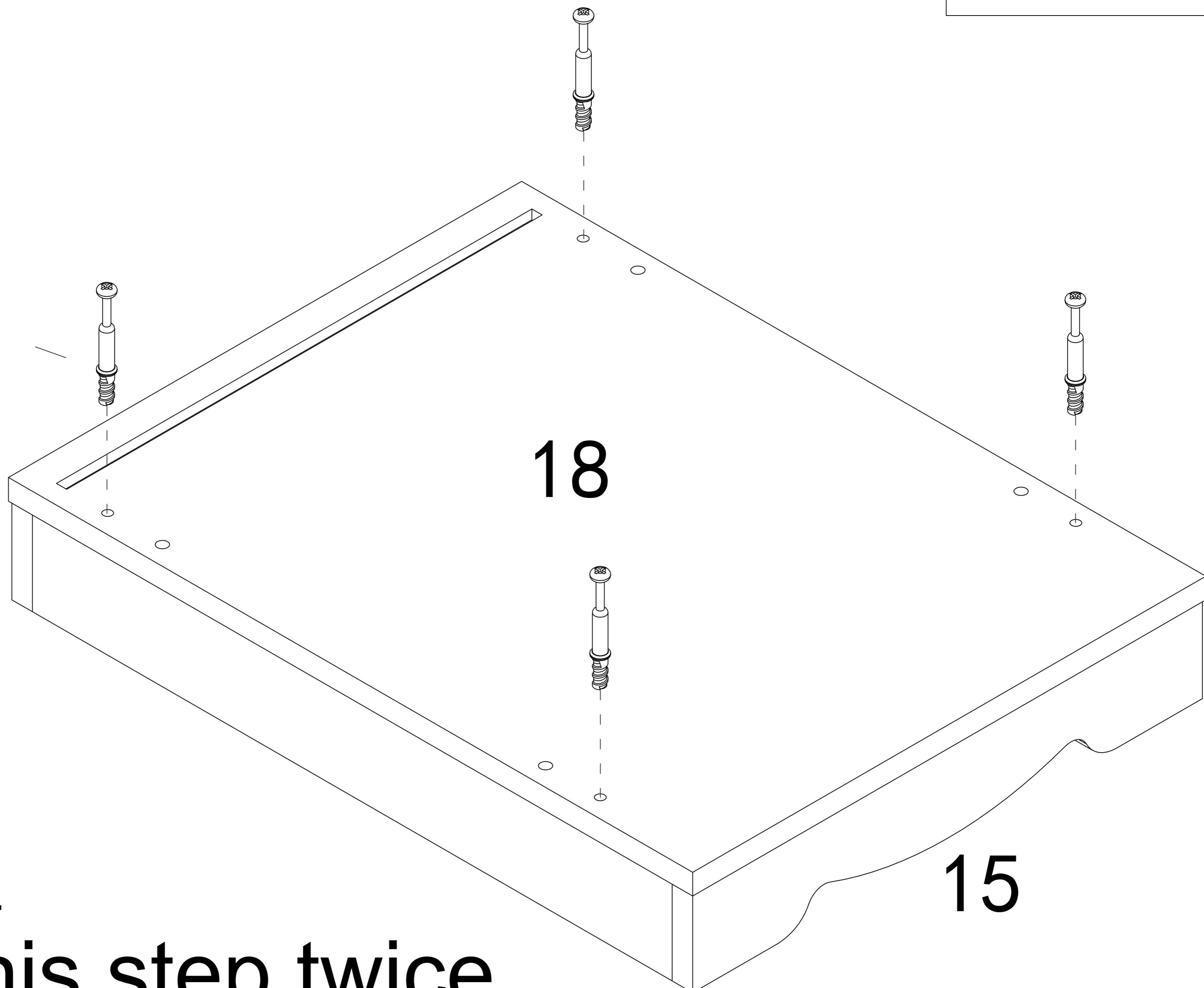
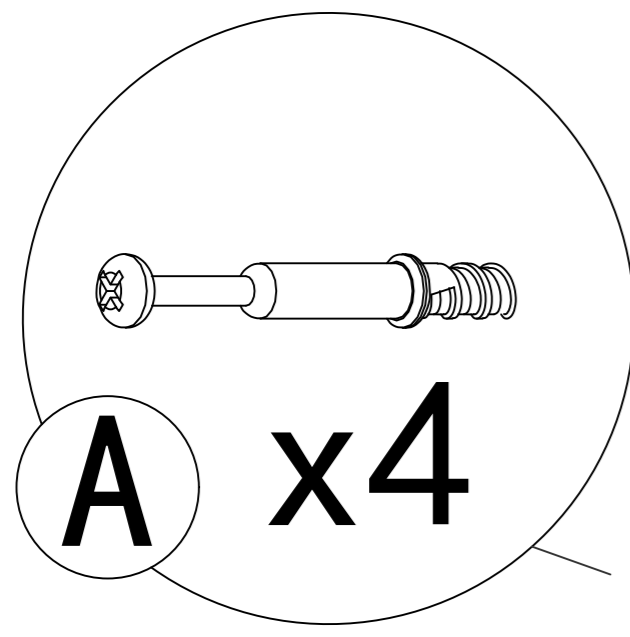
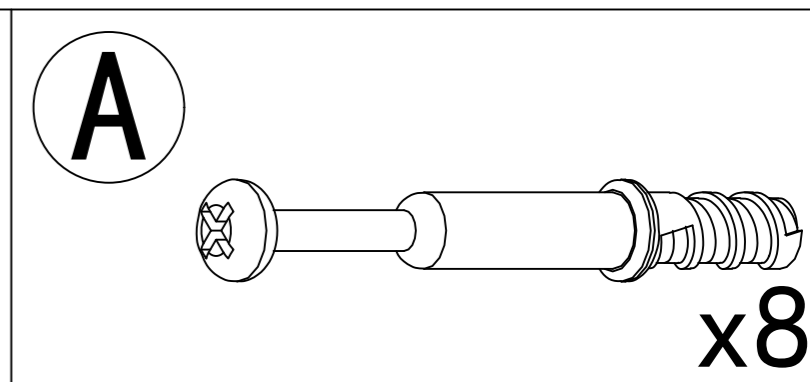


Step 42



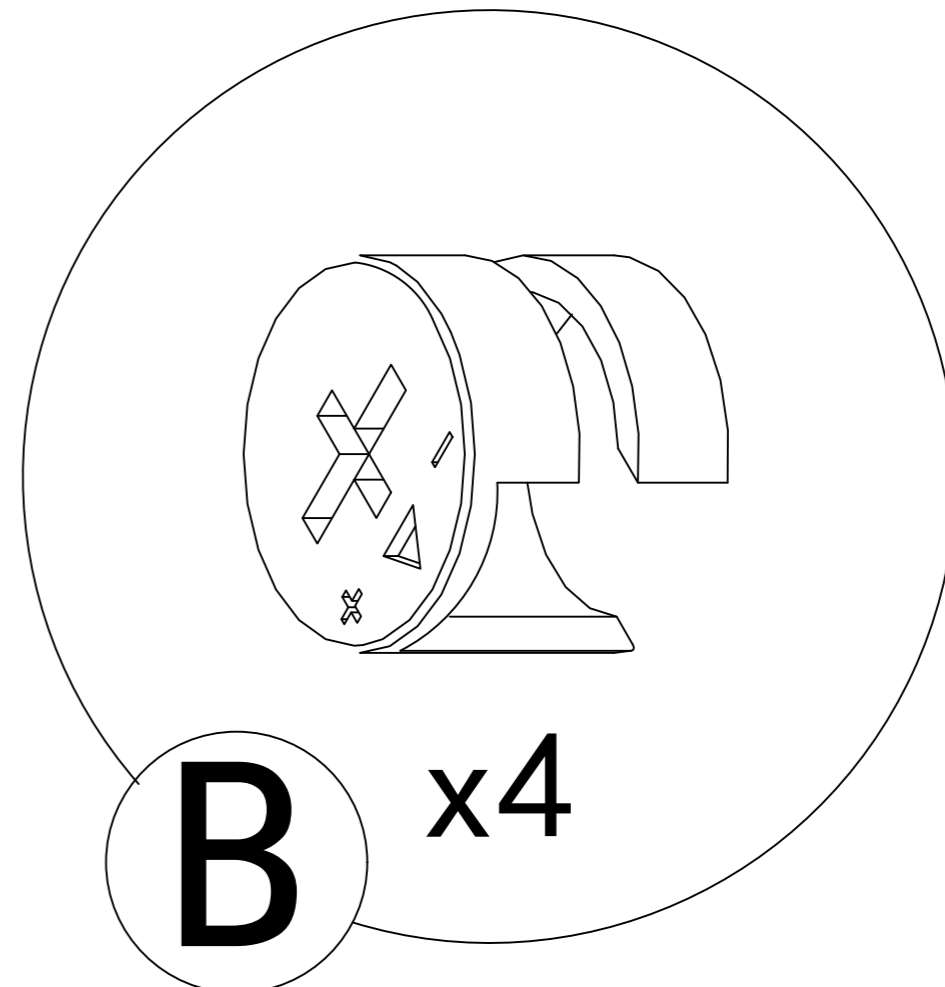
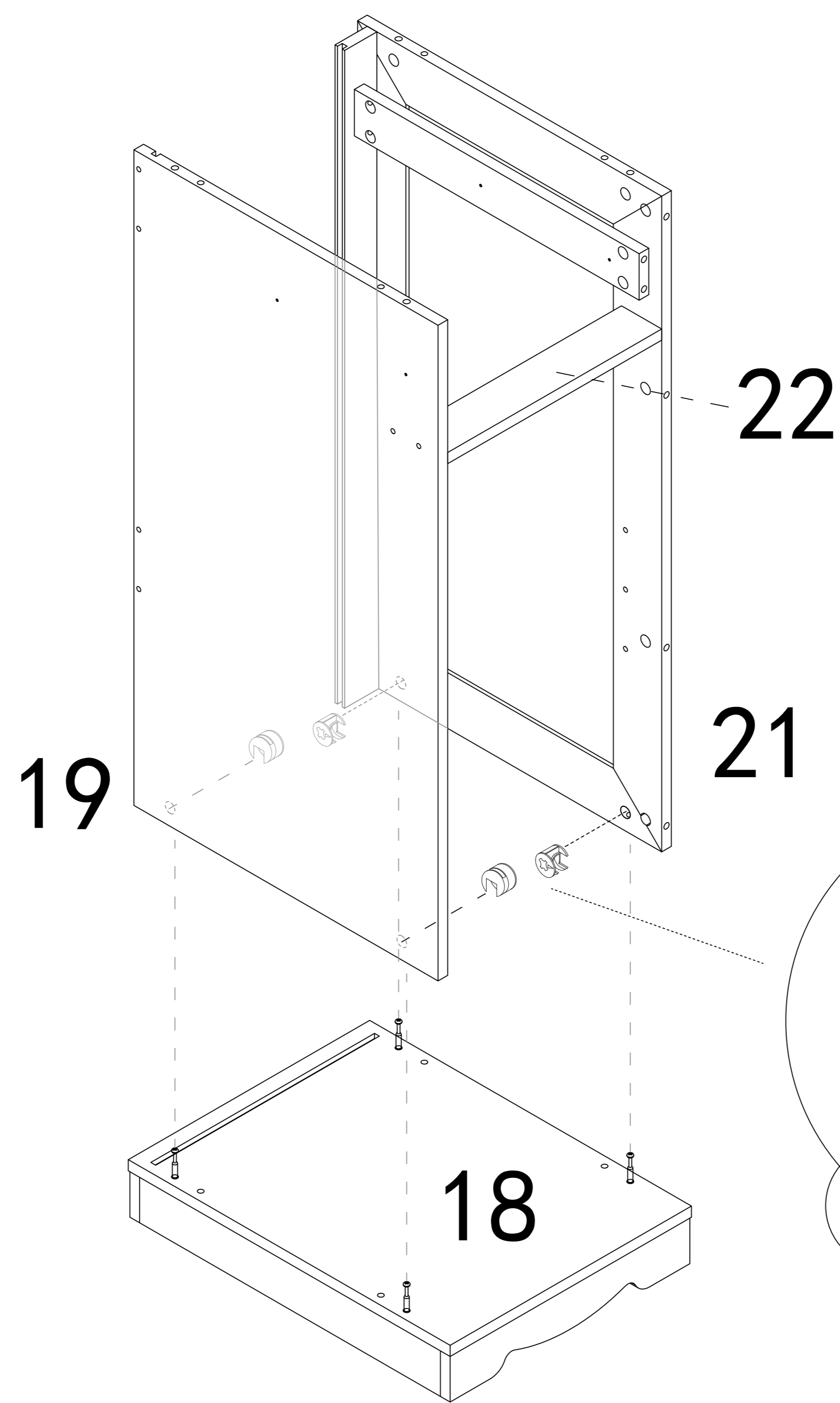
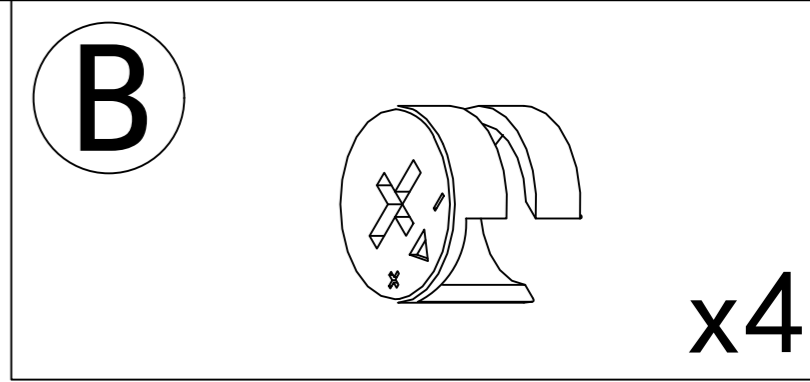
32

Step 43

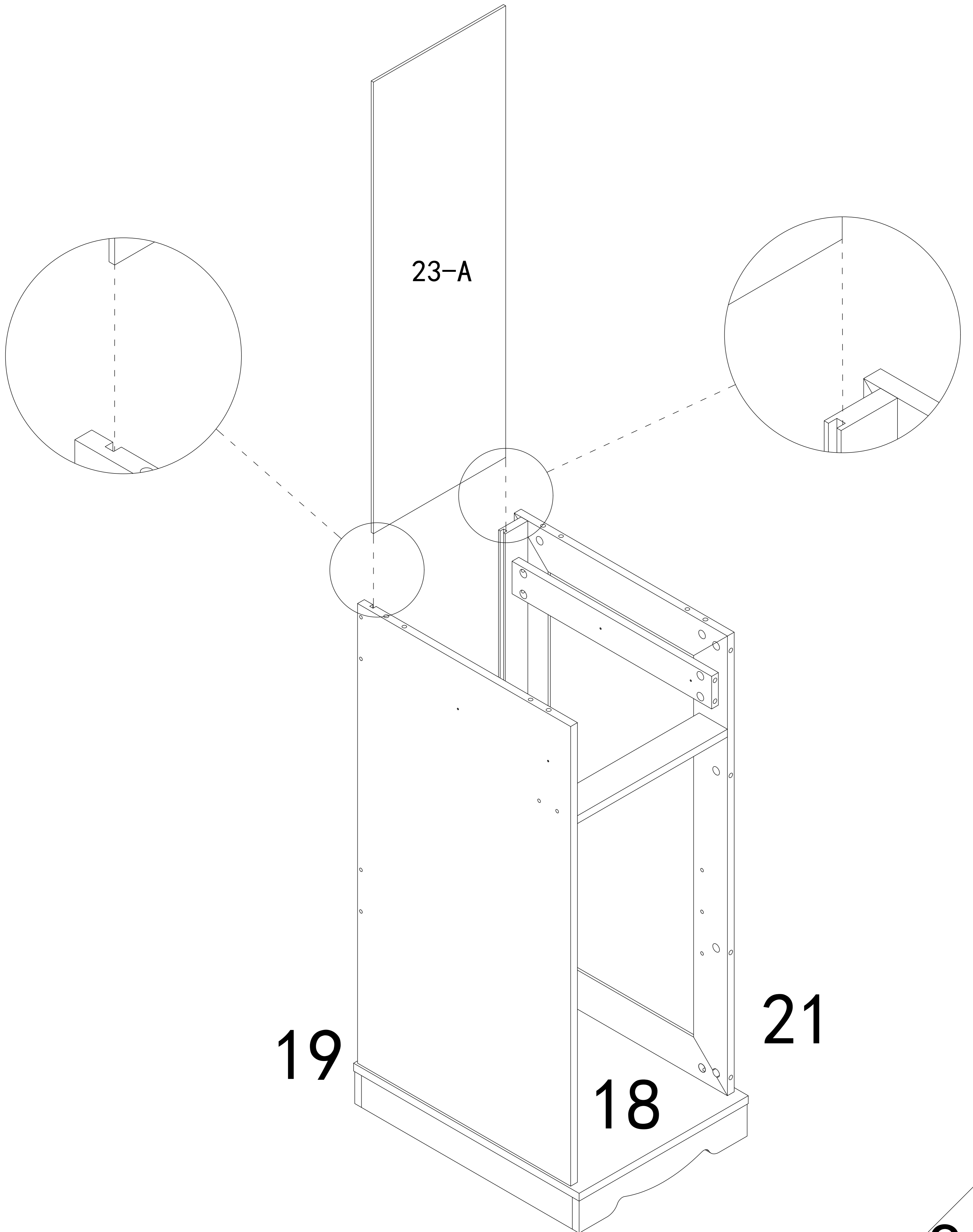


From Step 34
Repeat this step twice

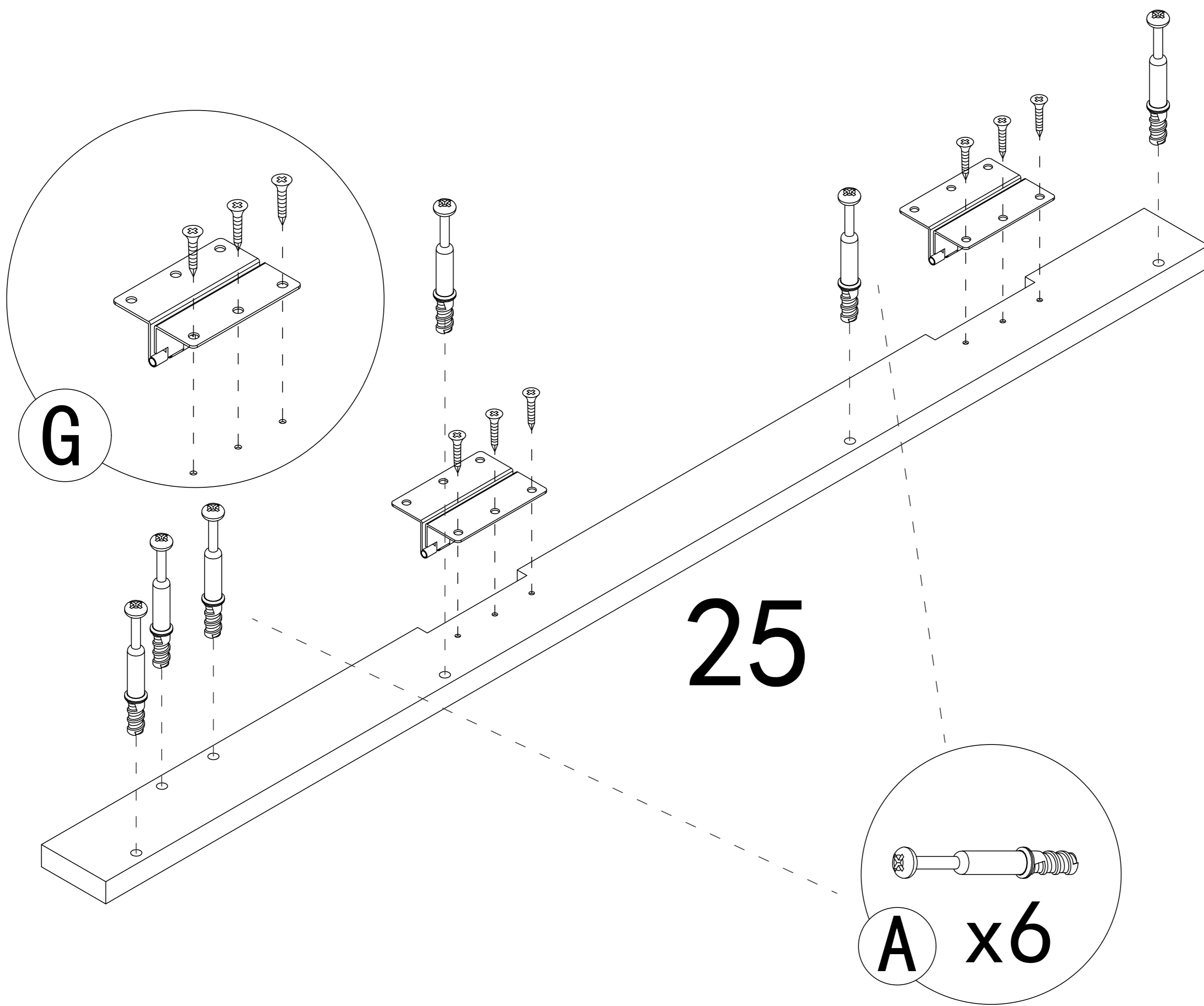
Step 44

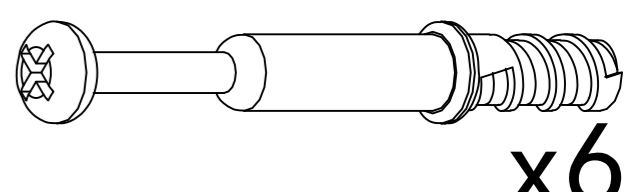
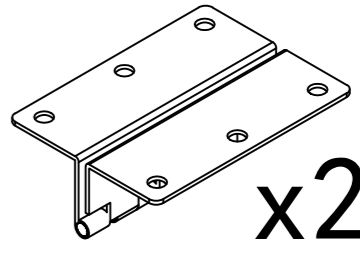



Step 45

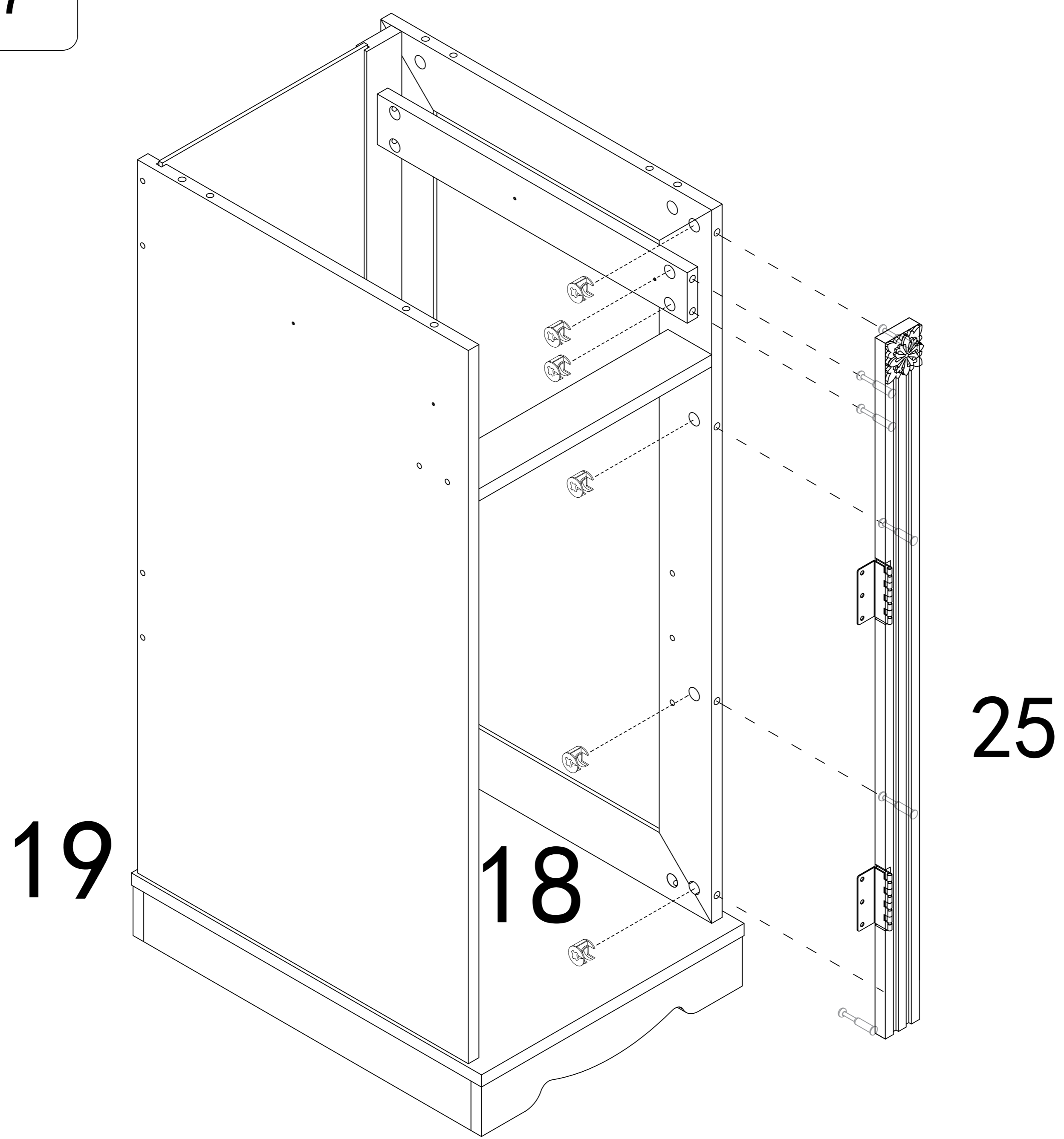


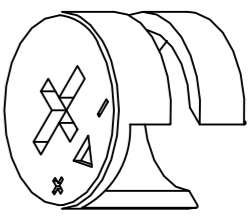
Step 46



- A**  x6
- G**  x2  x6

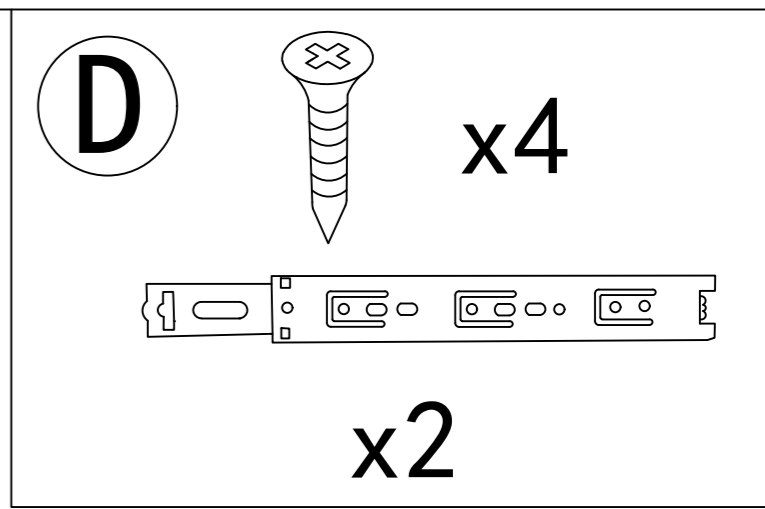
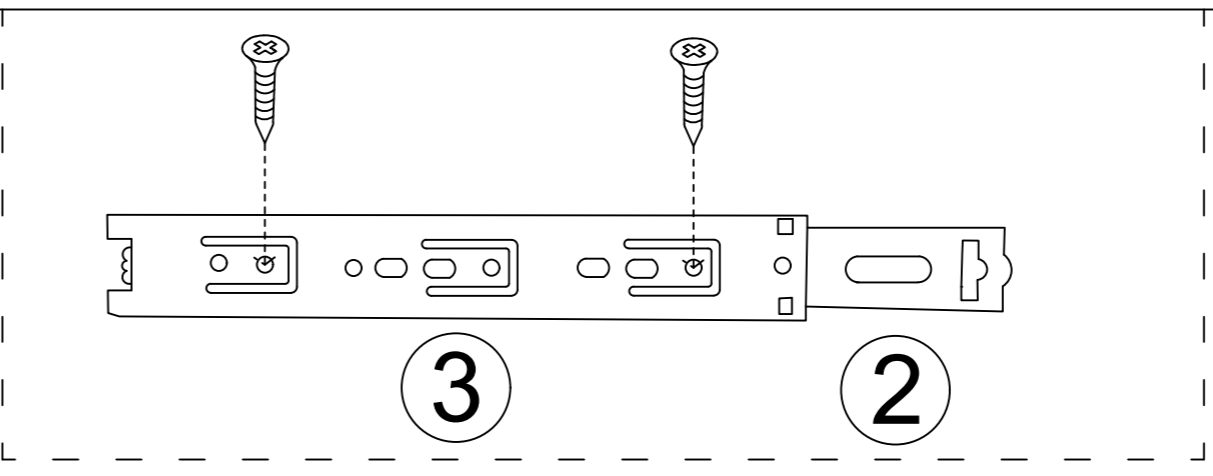
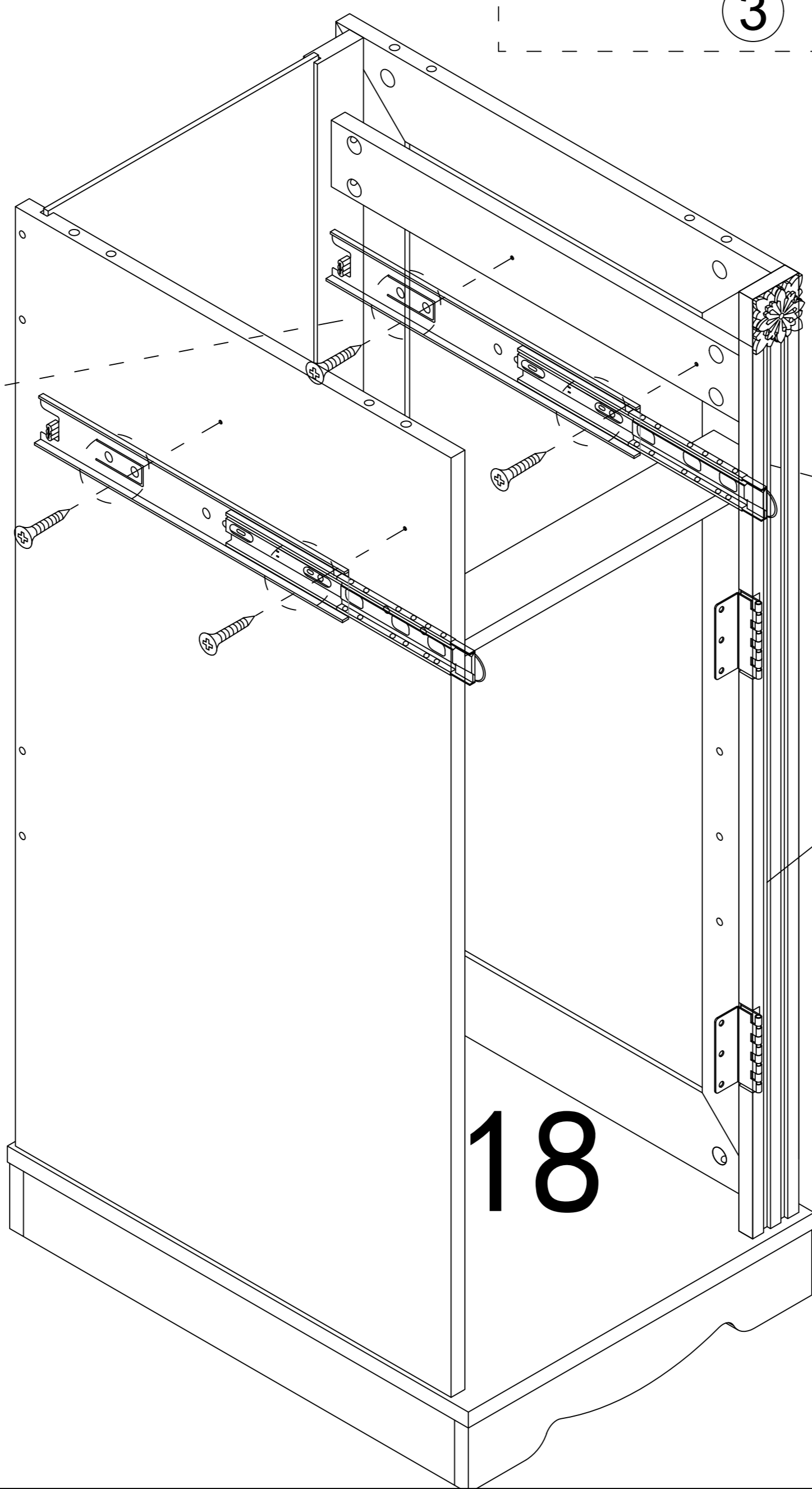
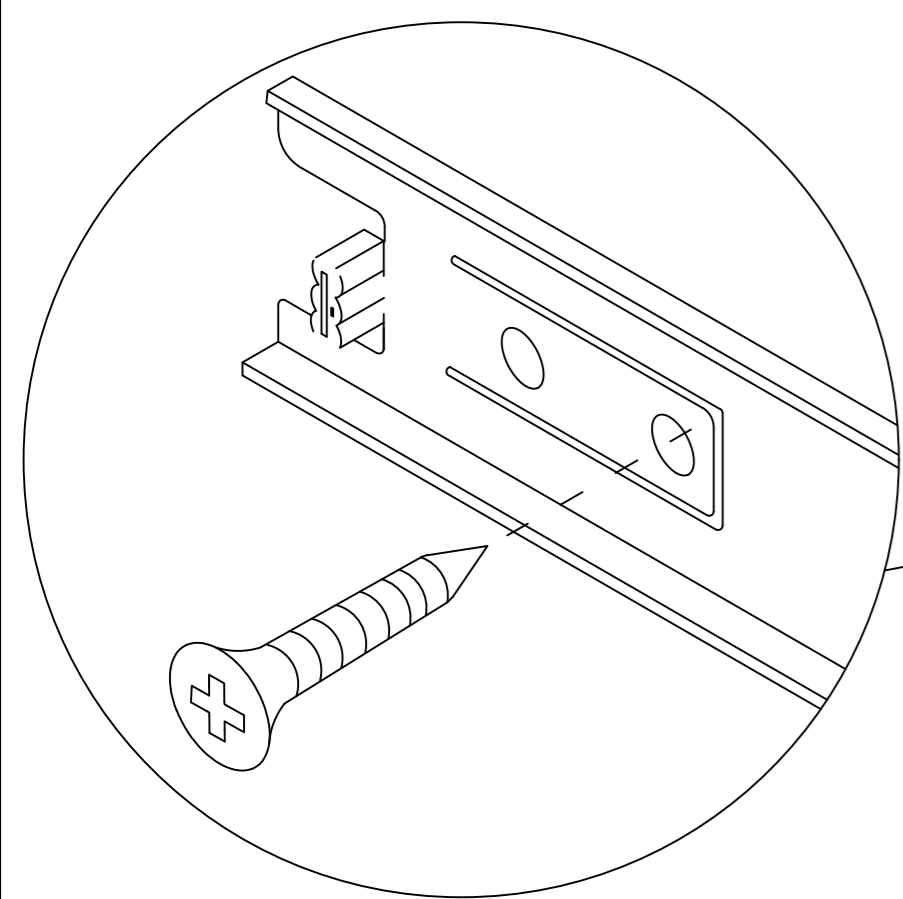
Step 47



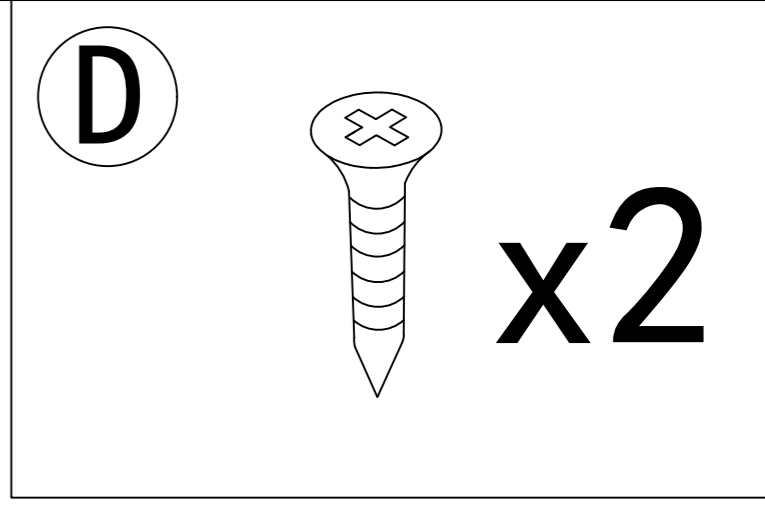
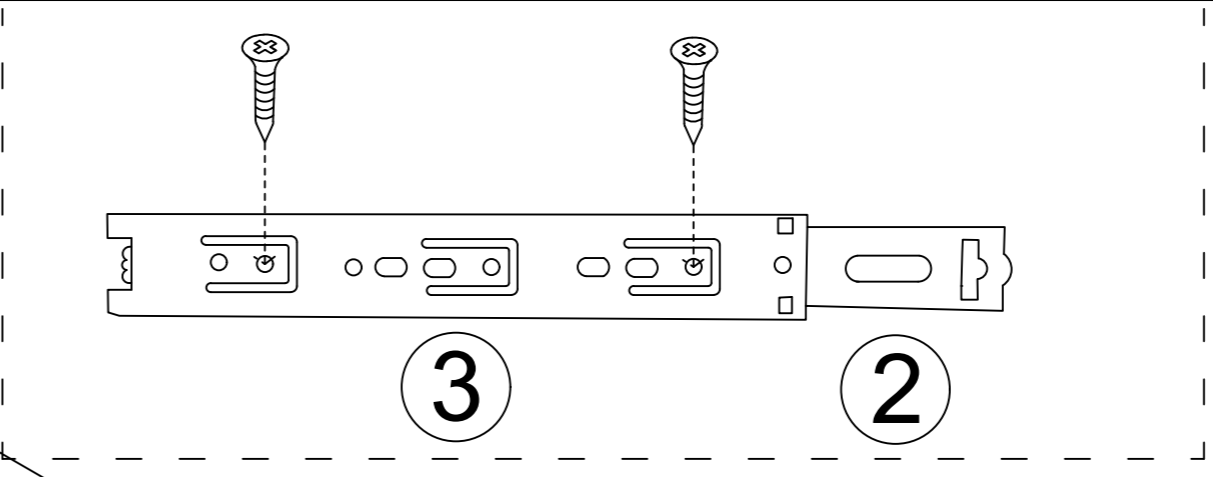
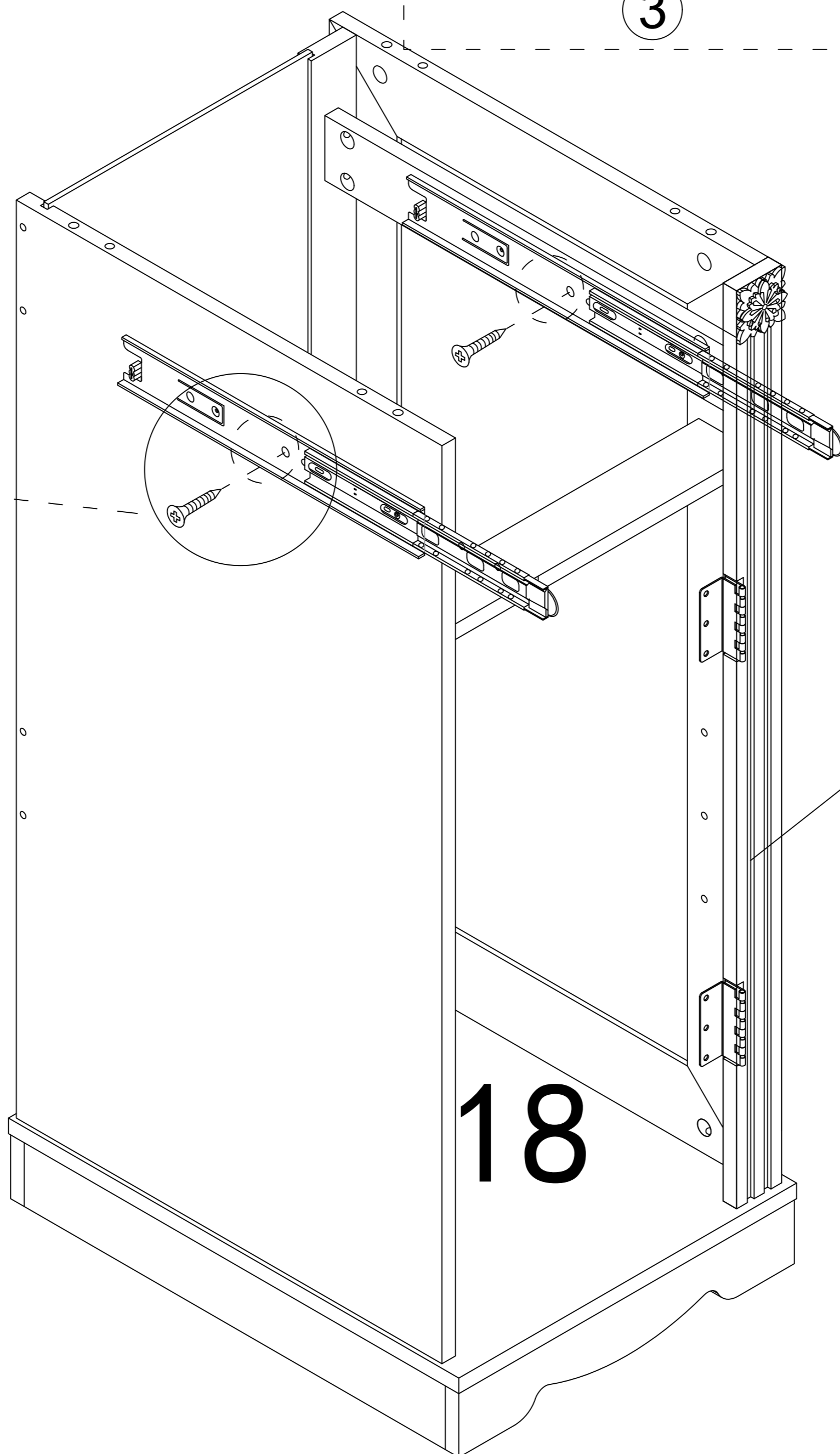
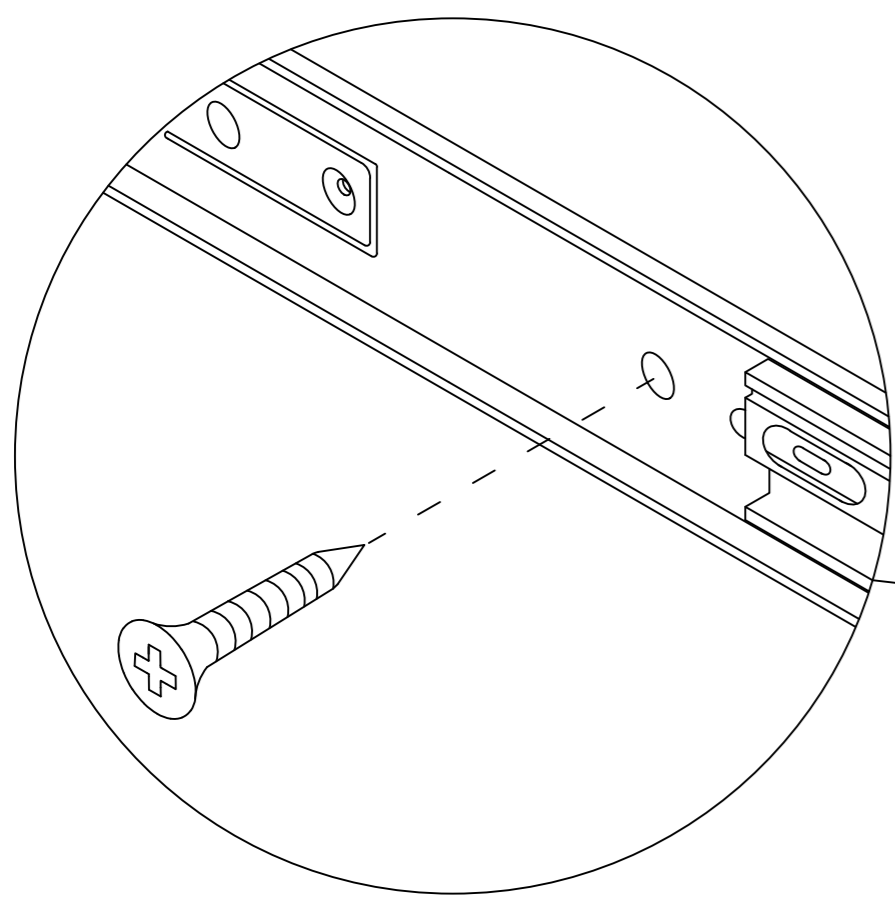
- B**  x6

35

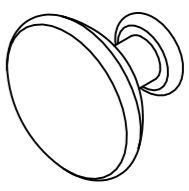

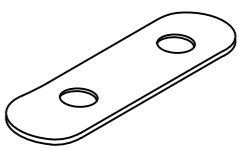
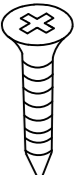
Step 48

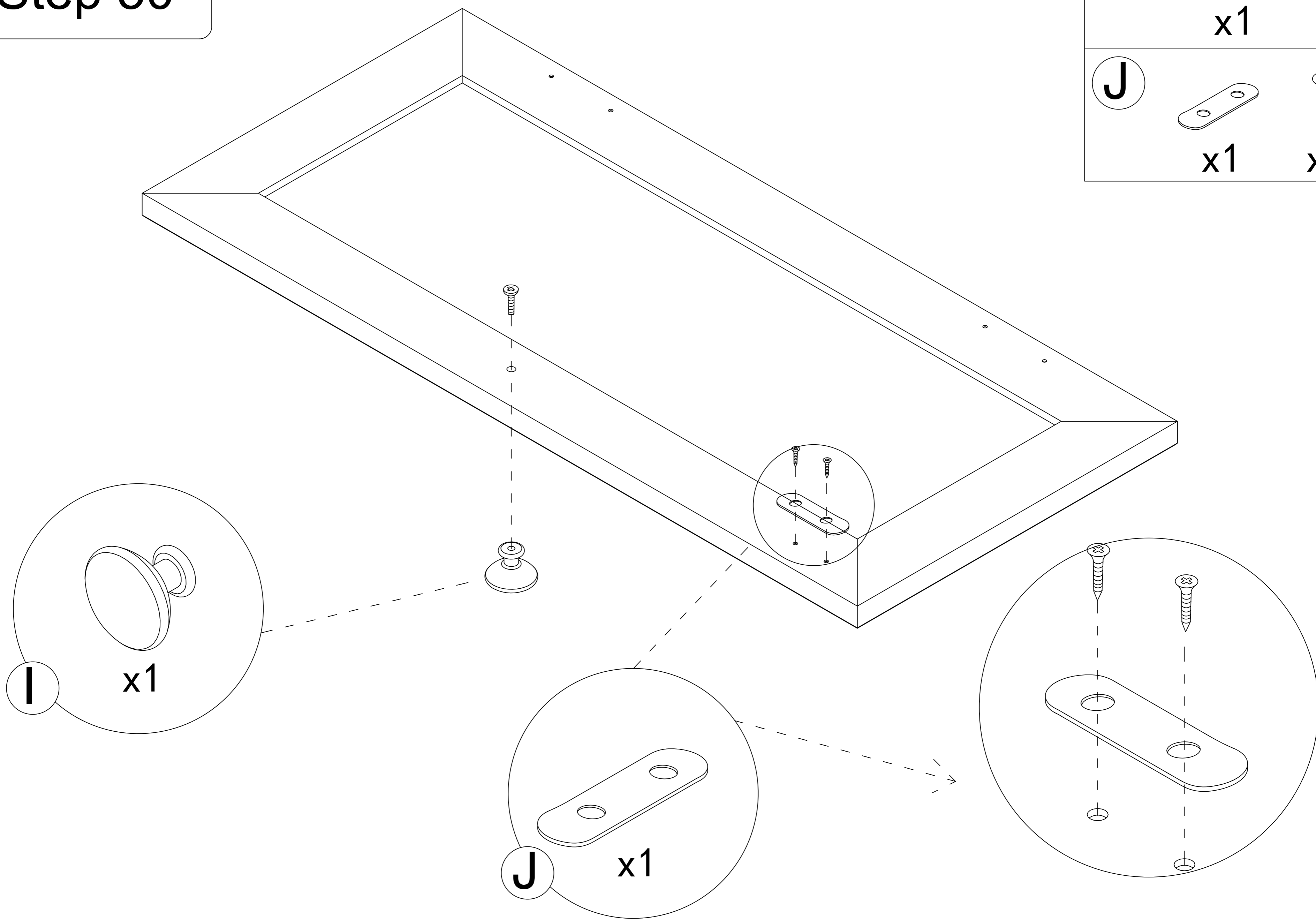


Step 49

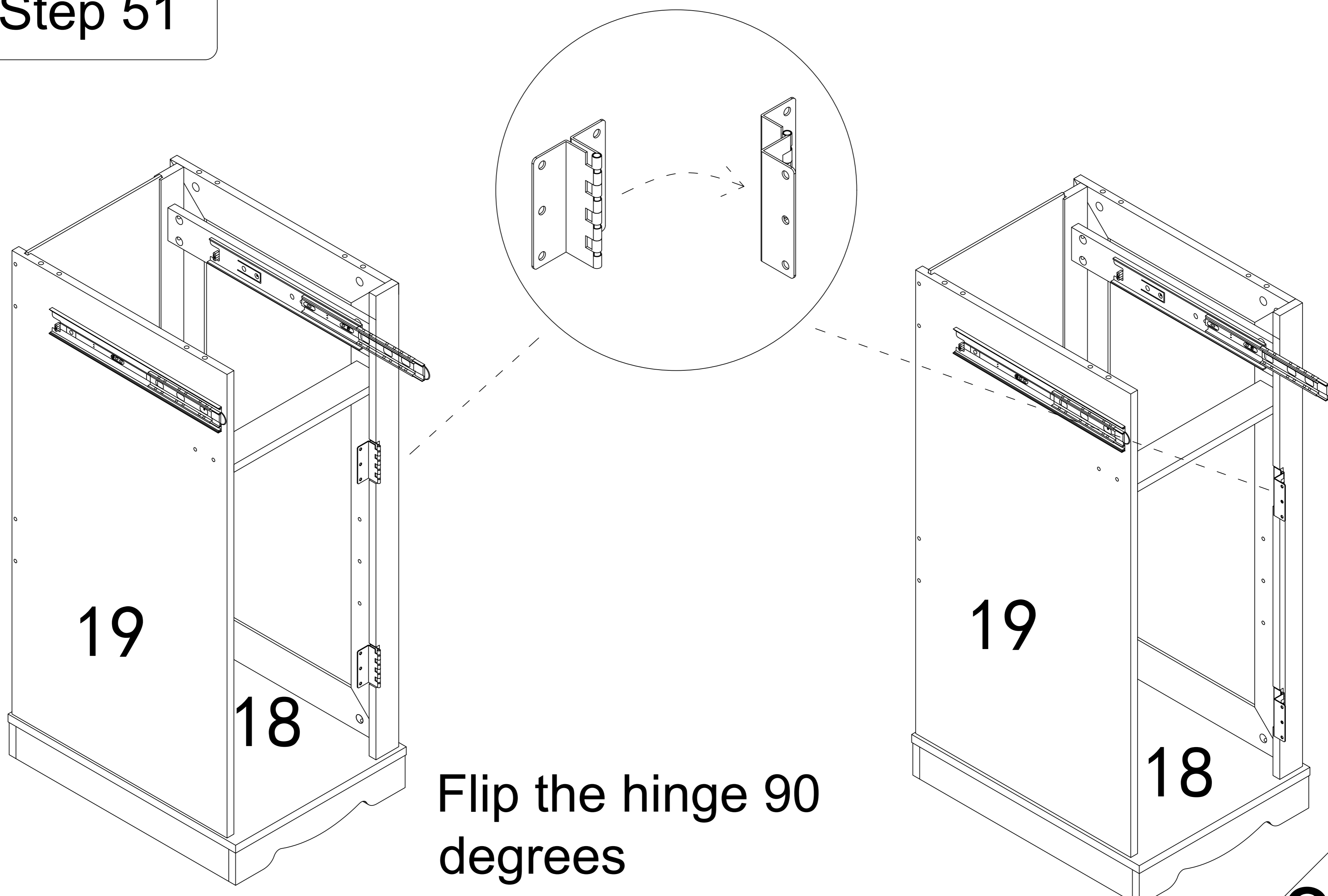


Step 50

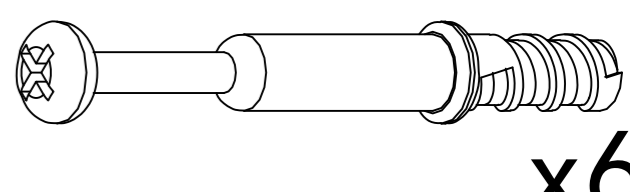
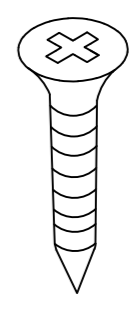
- | | | |
|---|---|---|
| I |  |  |
| | x1 | x1 |
| J |  |  |
| | x1 | x2 |



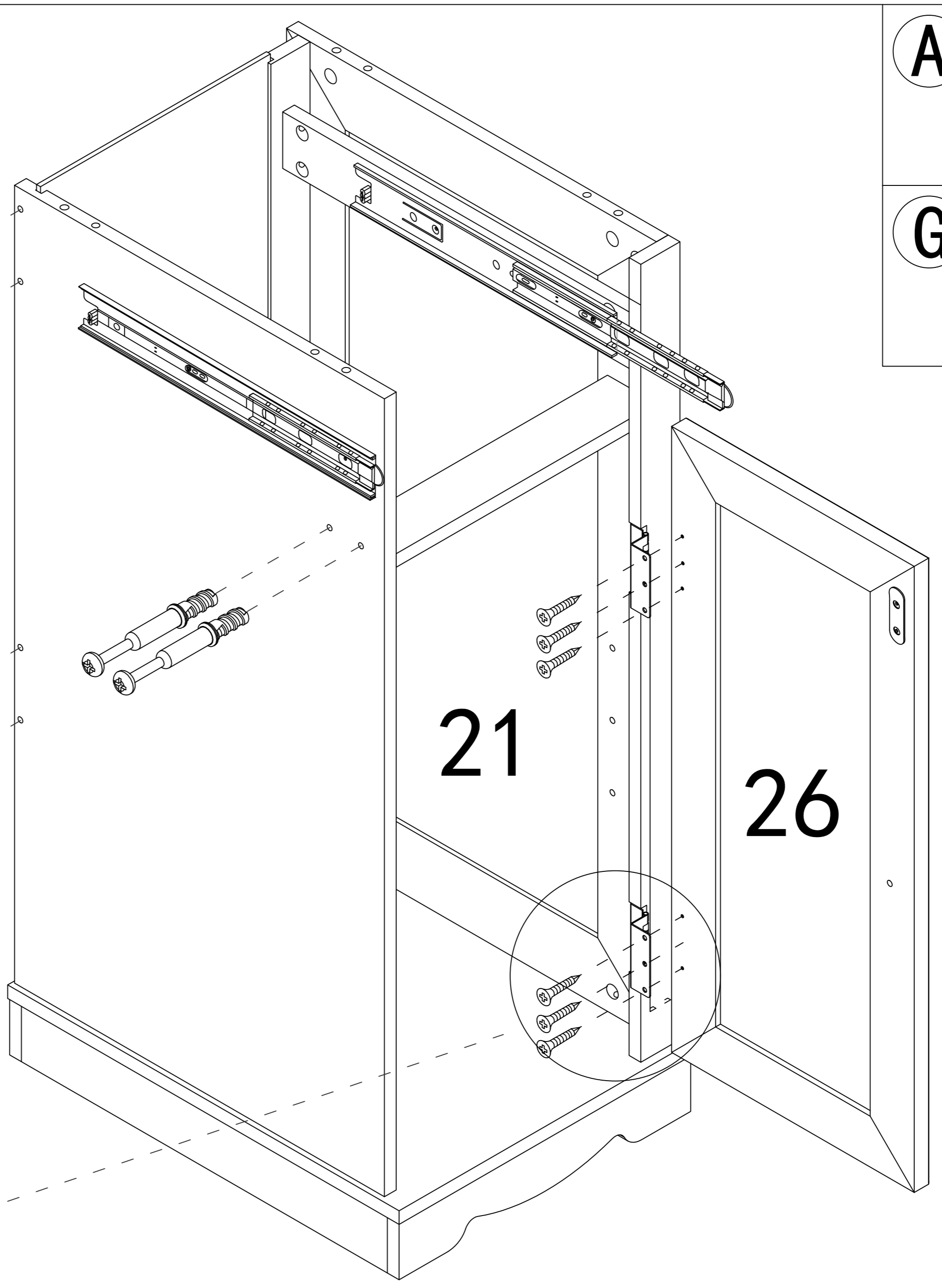
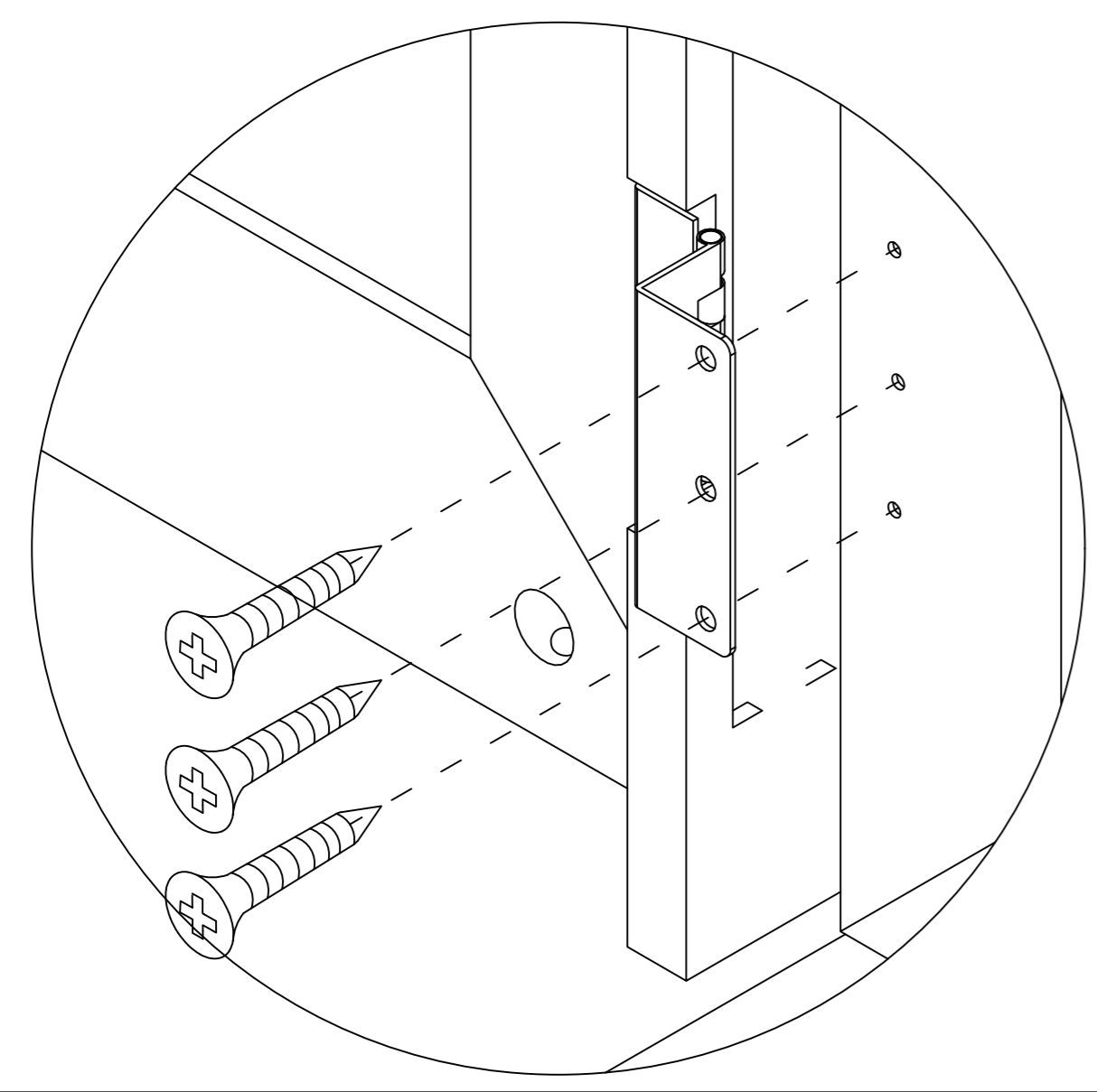
Step 51



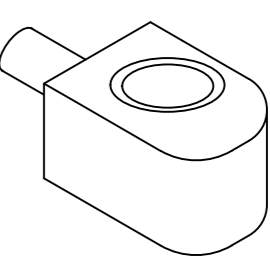
Step 52

- A**  x6
- G**  x6

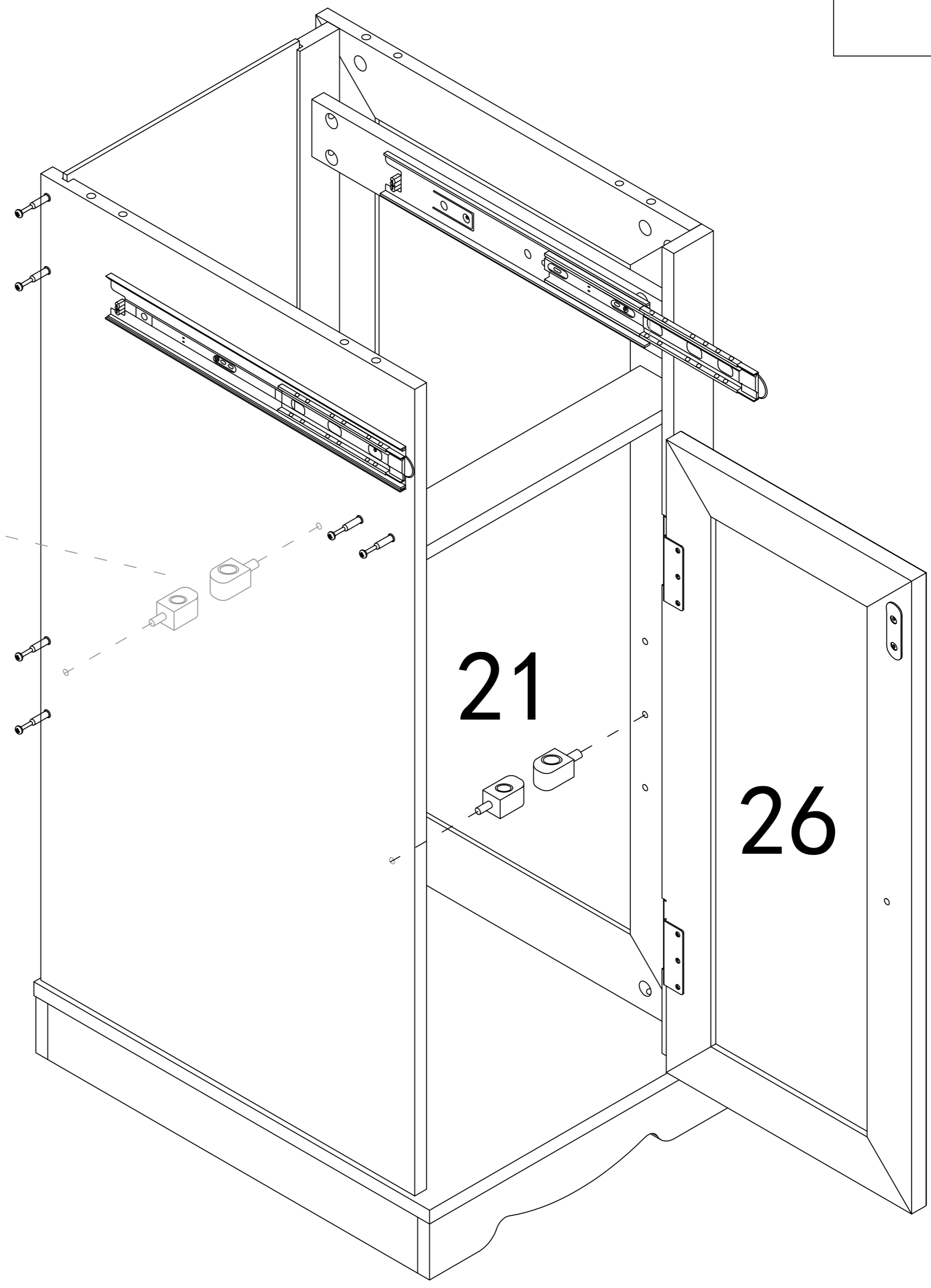
- A** x6



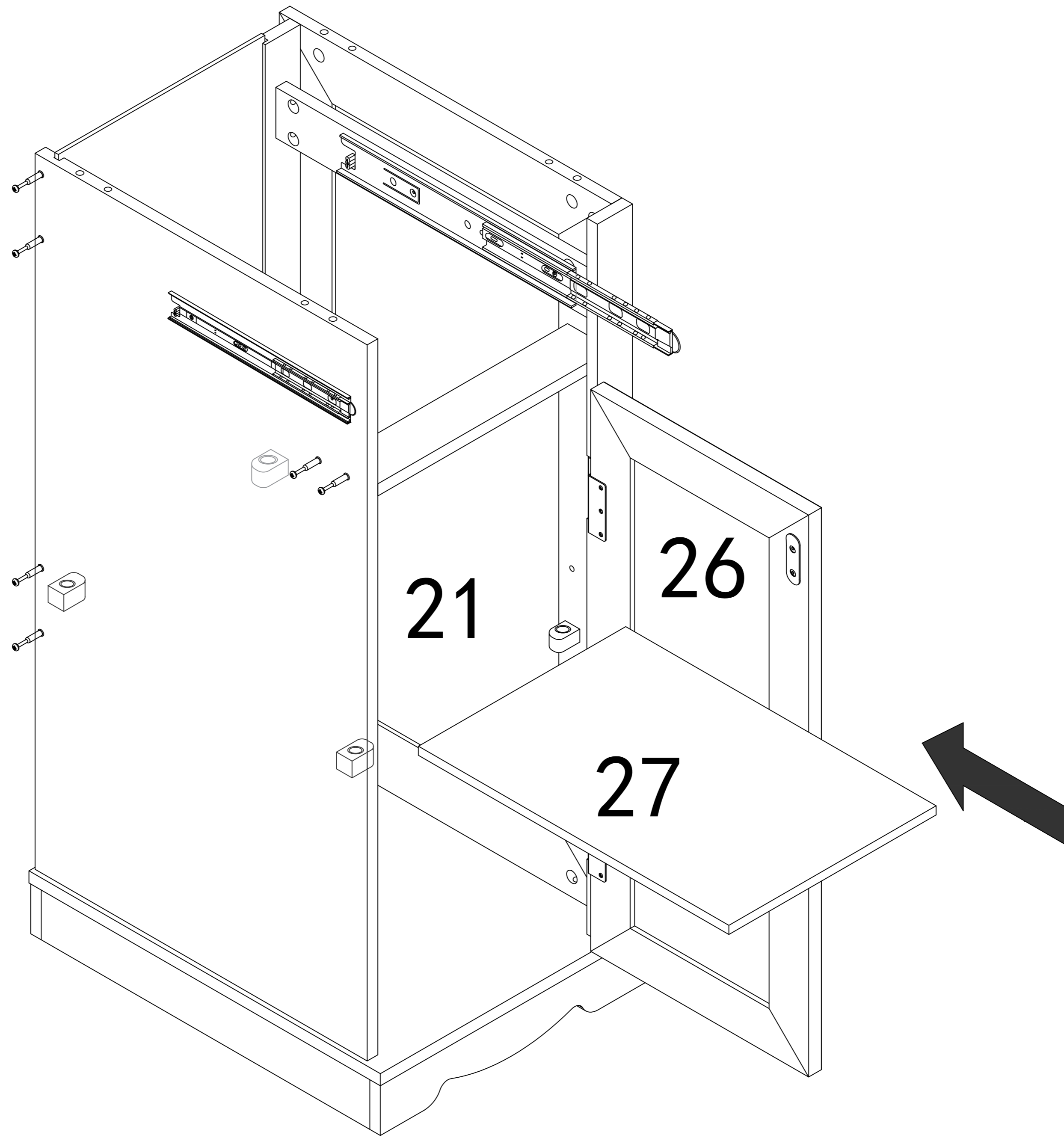
Step 53

- K**  x4

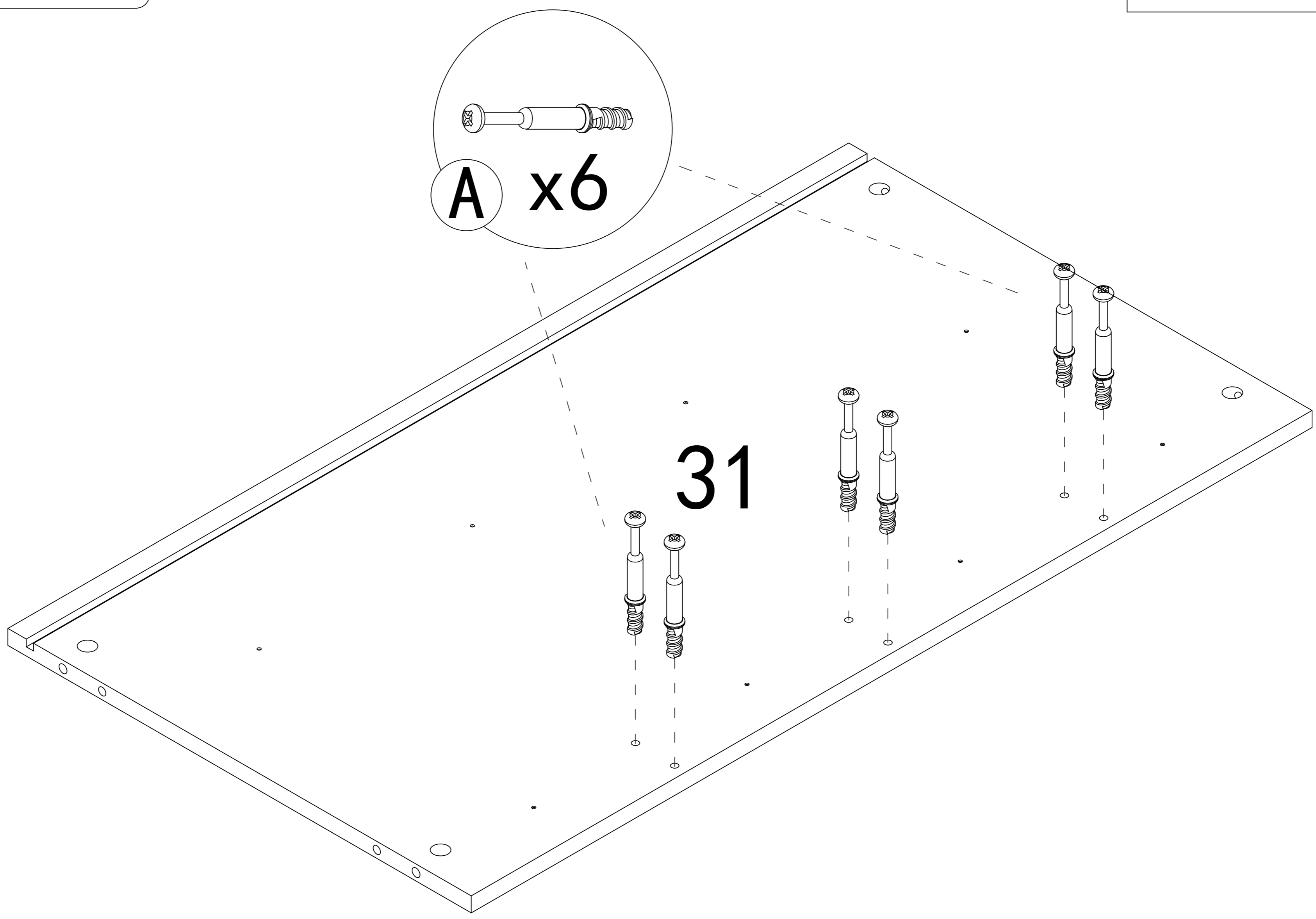
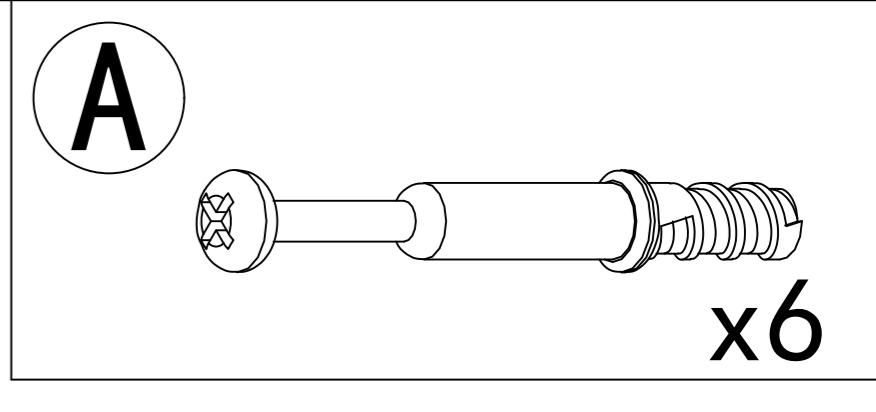
- G** x4



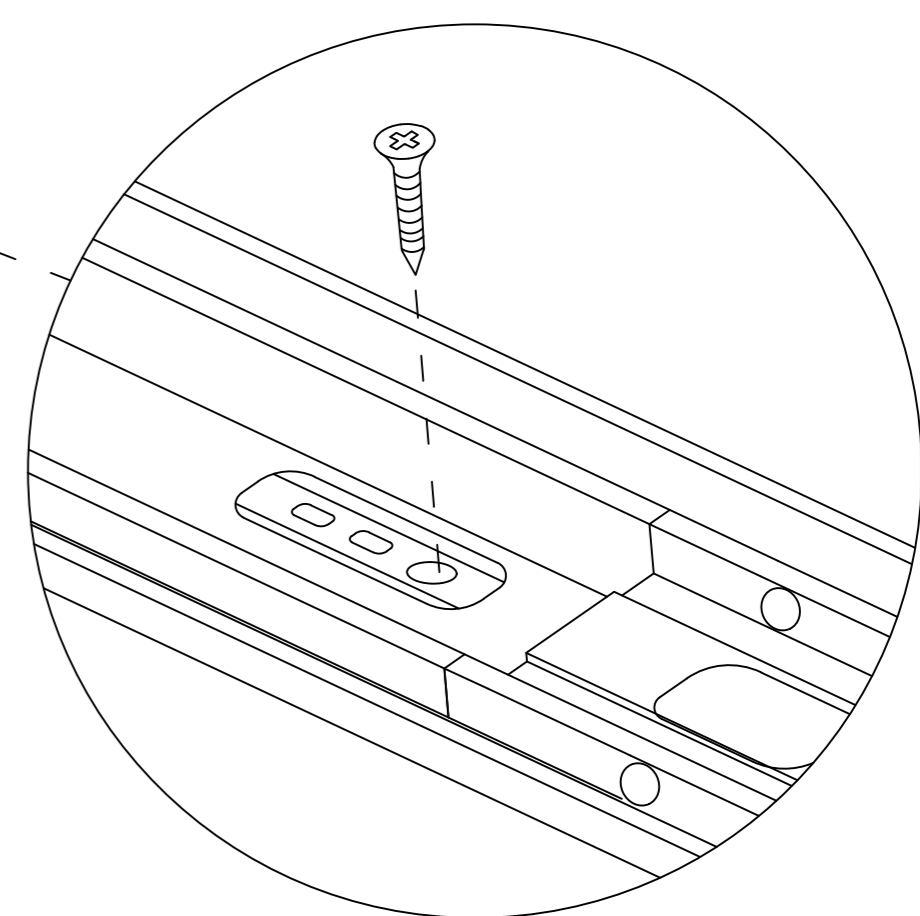
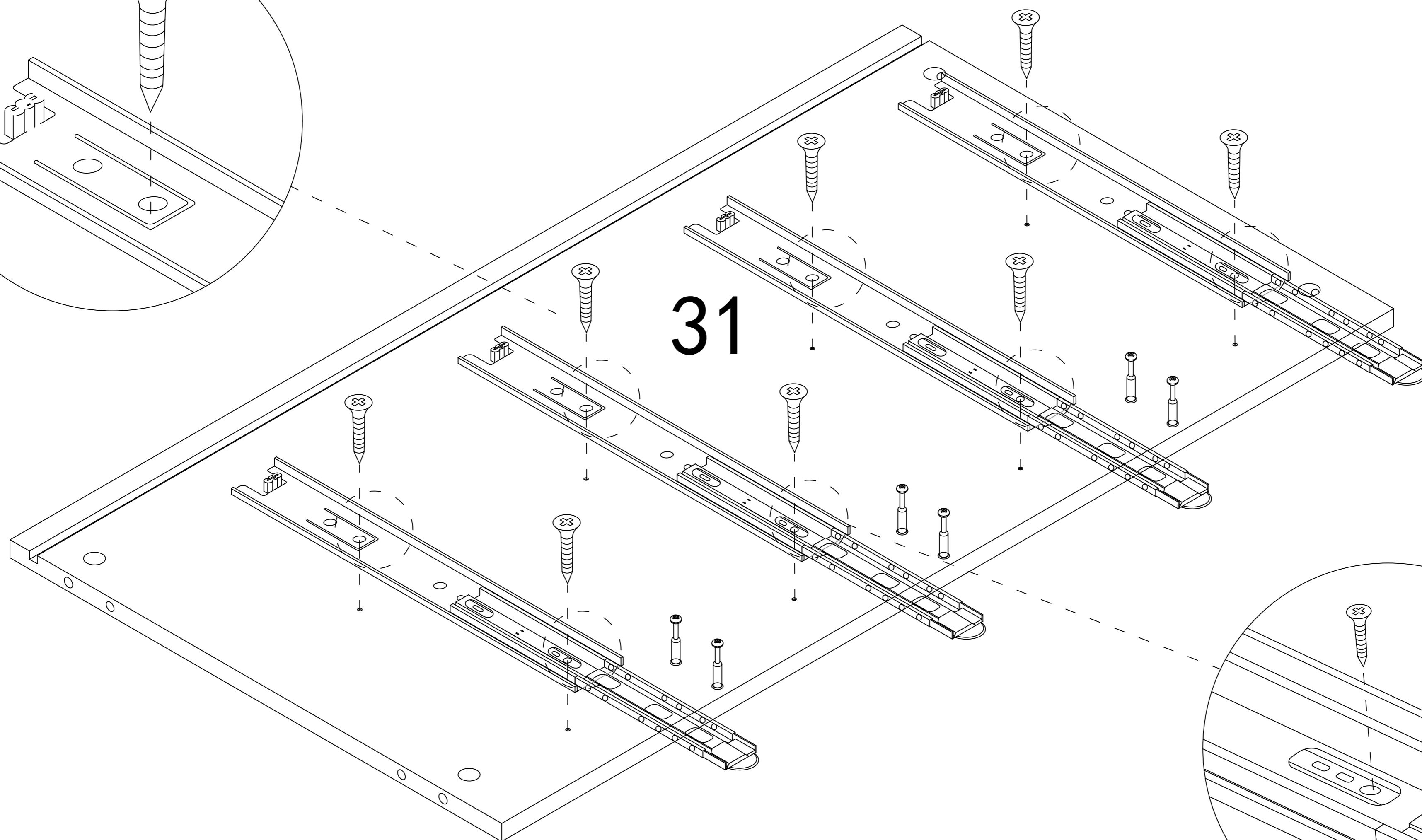
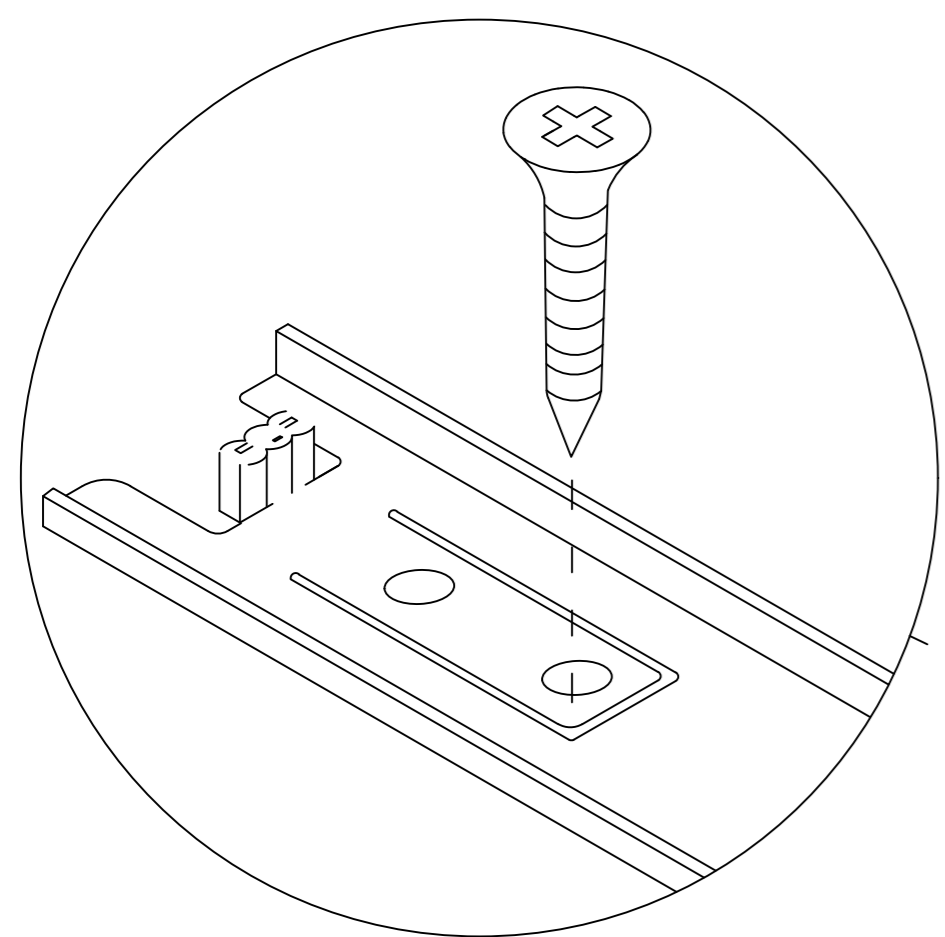
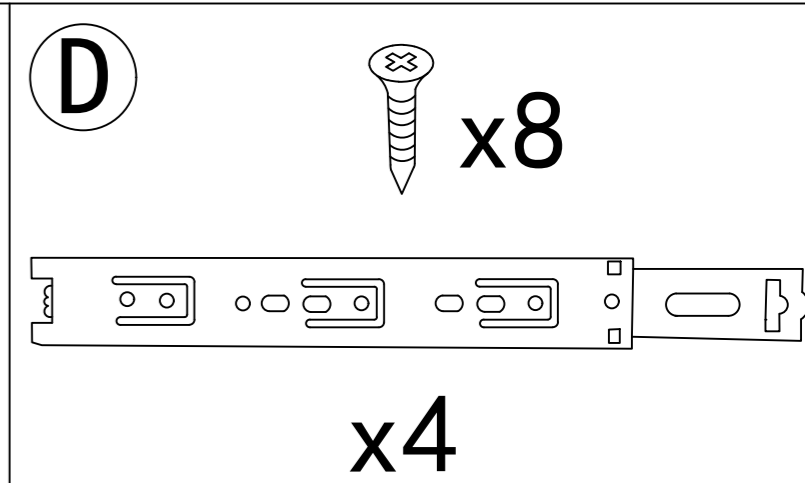
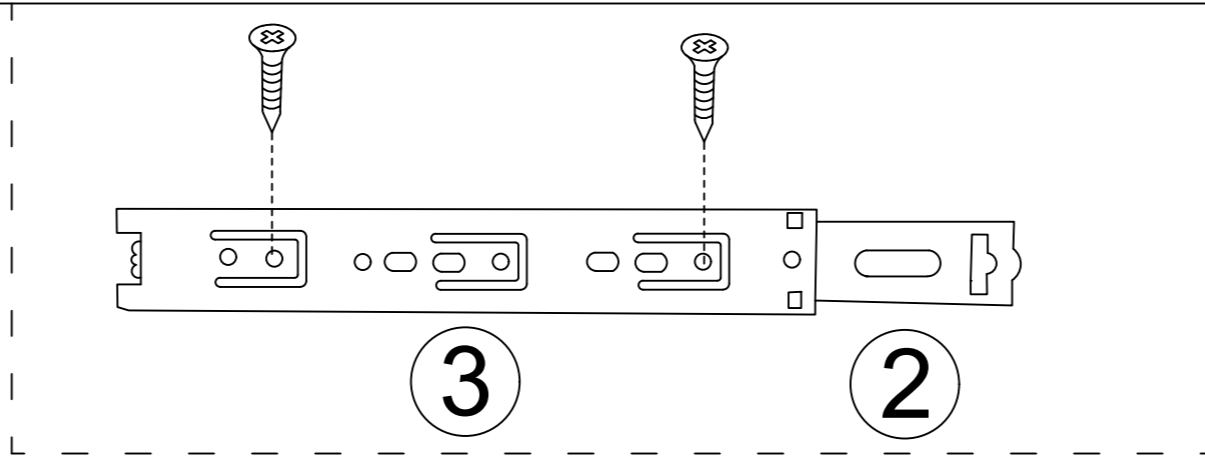
Step 54



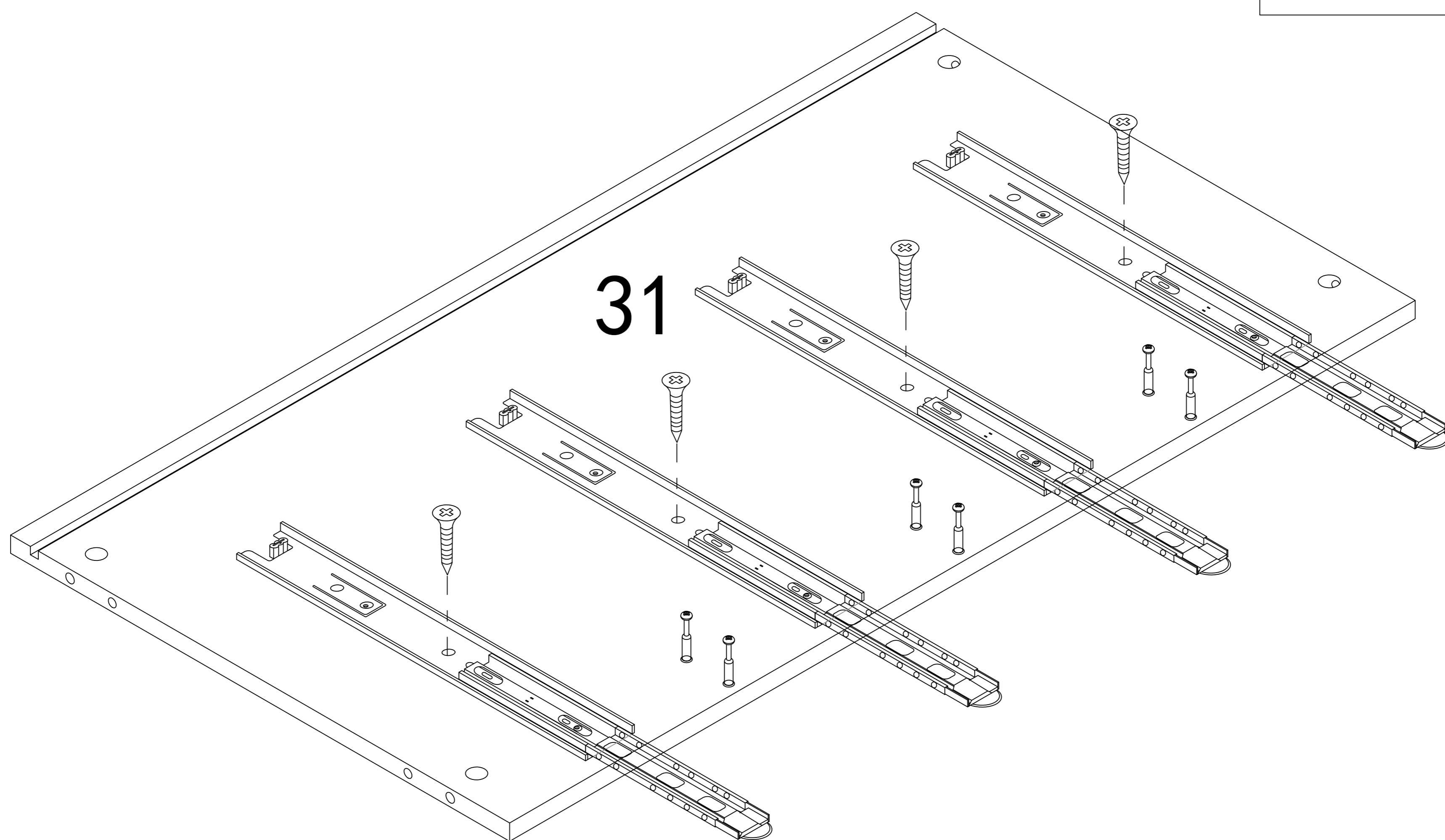
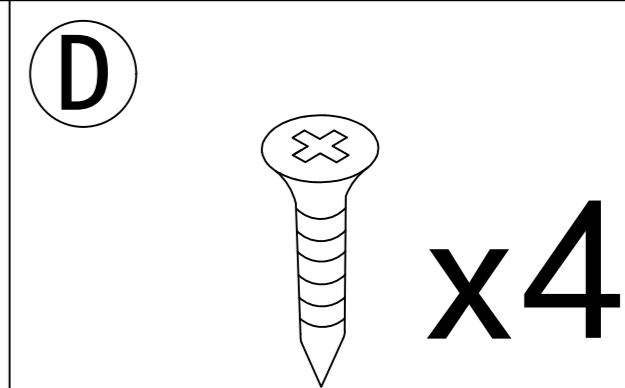
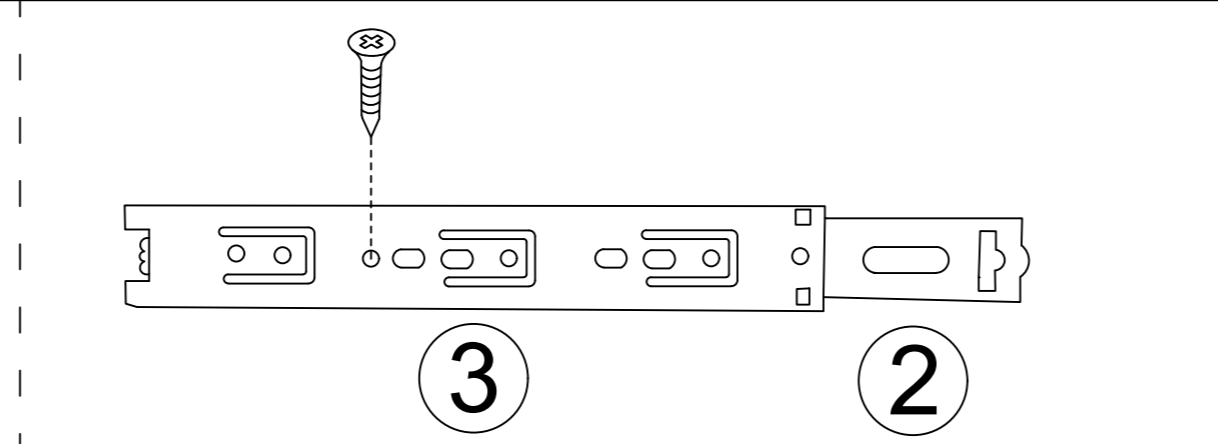
Step 55



Step 56



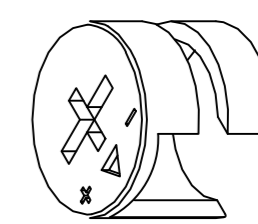
Step 57



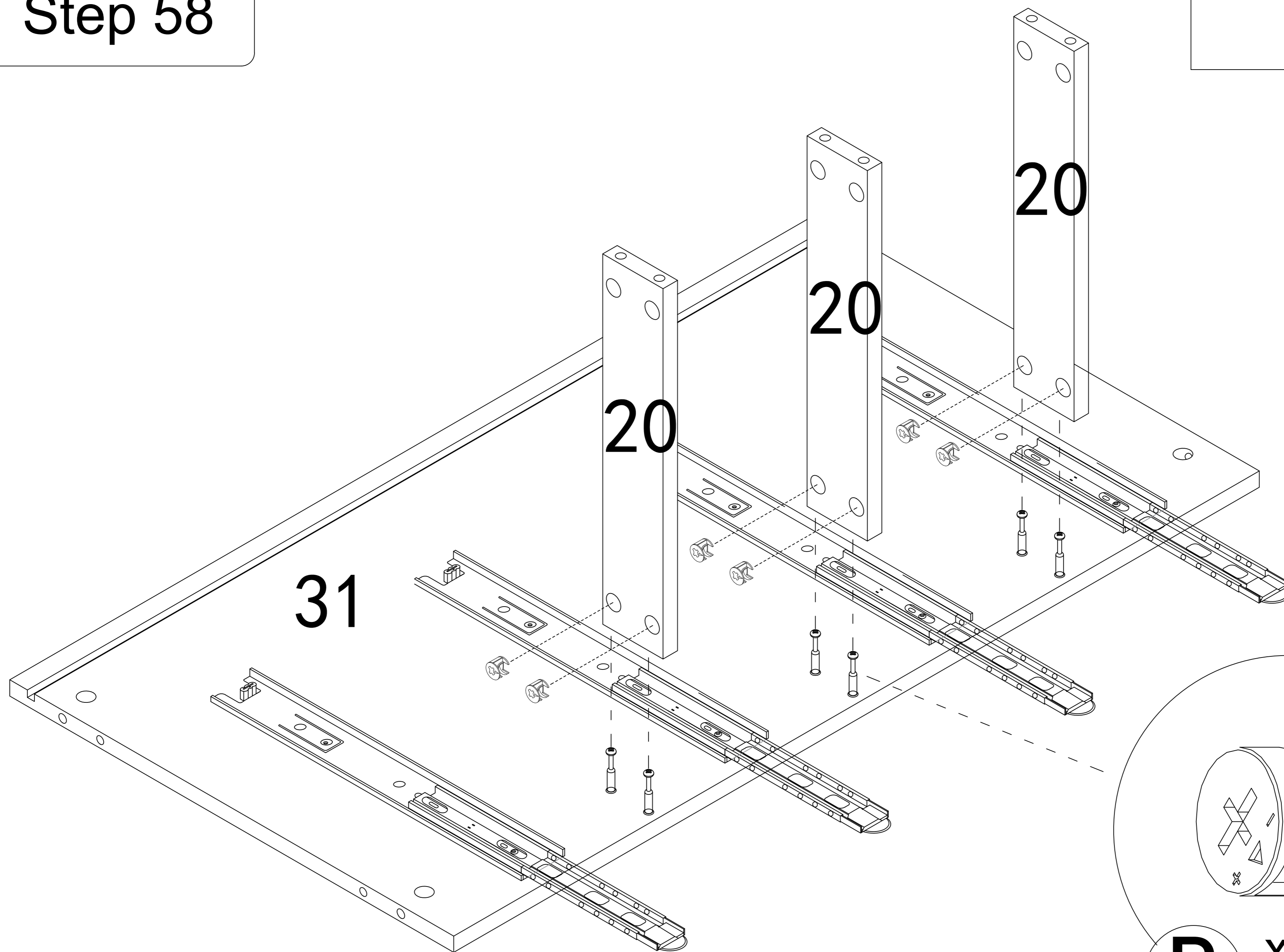
This hole is for strengthening fixed hole customers can choose to install according to their needs.

Step 58

B



x6

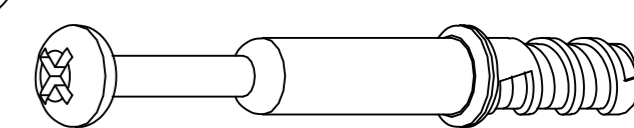


B

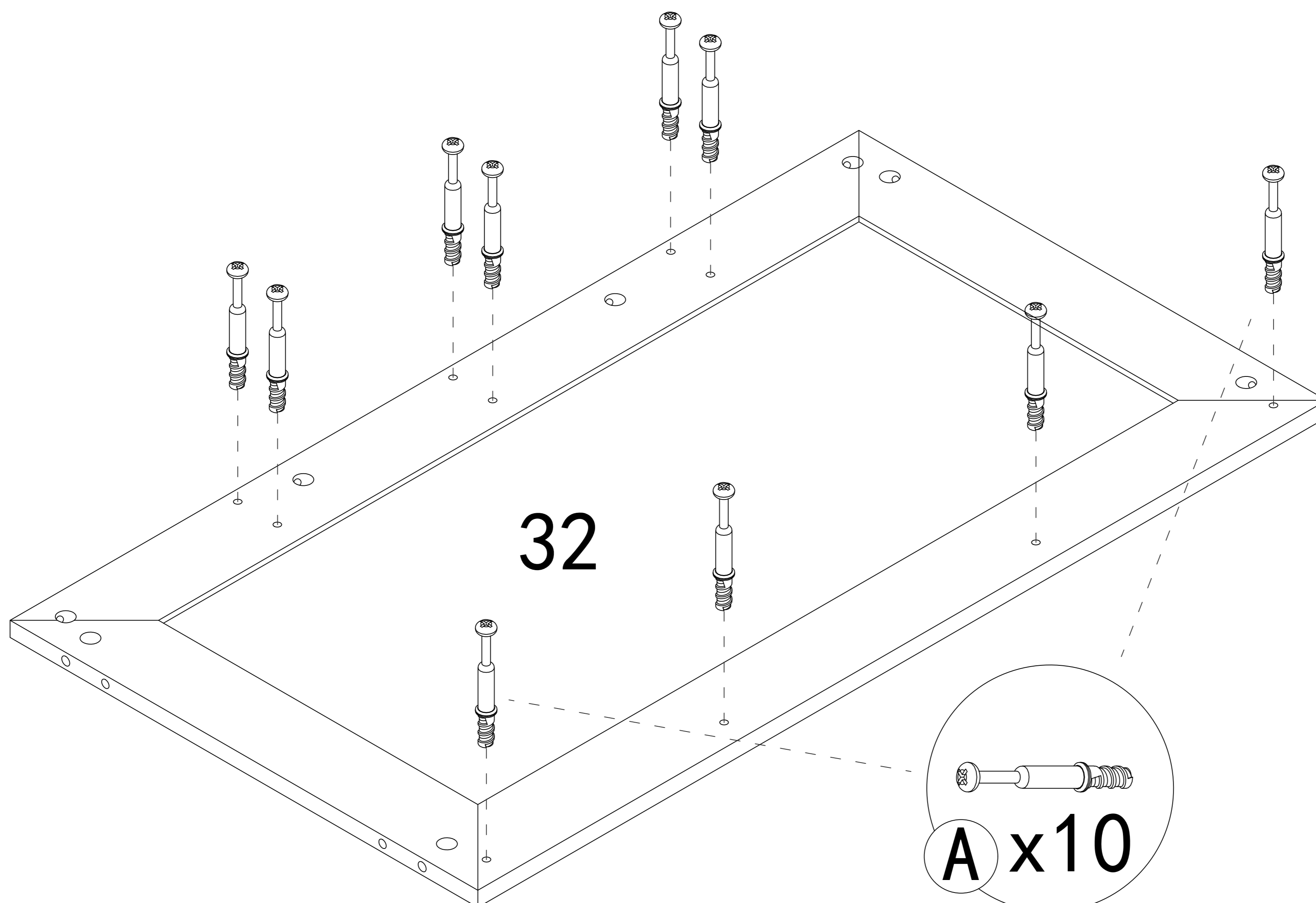
x6

Step 59

A



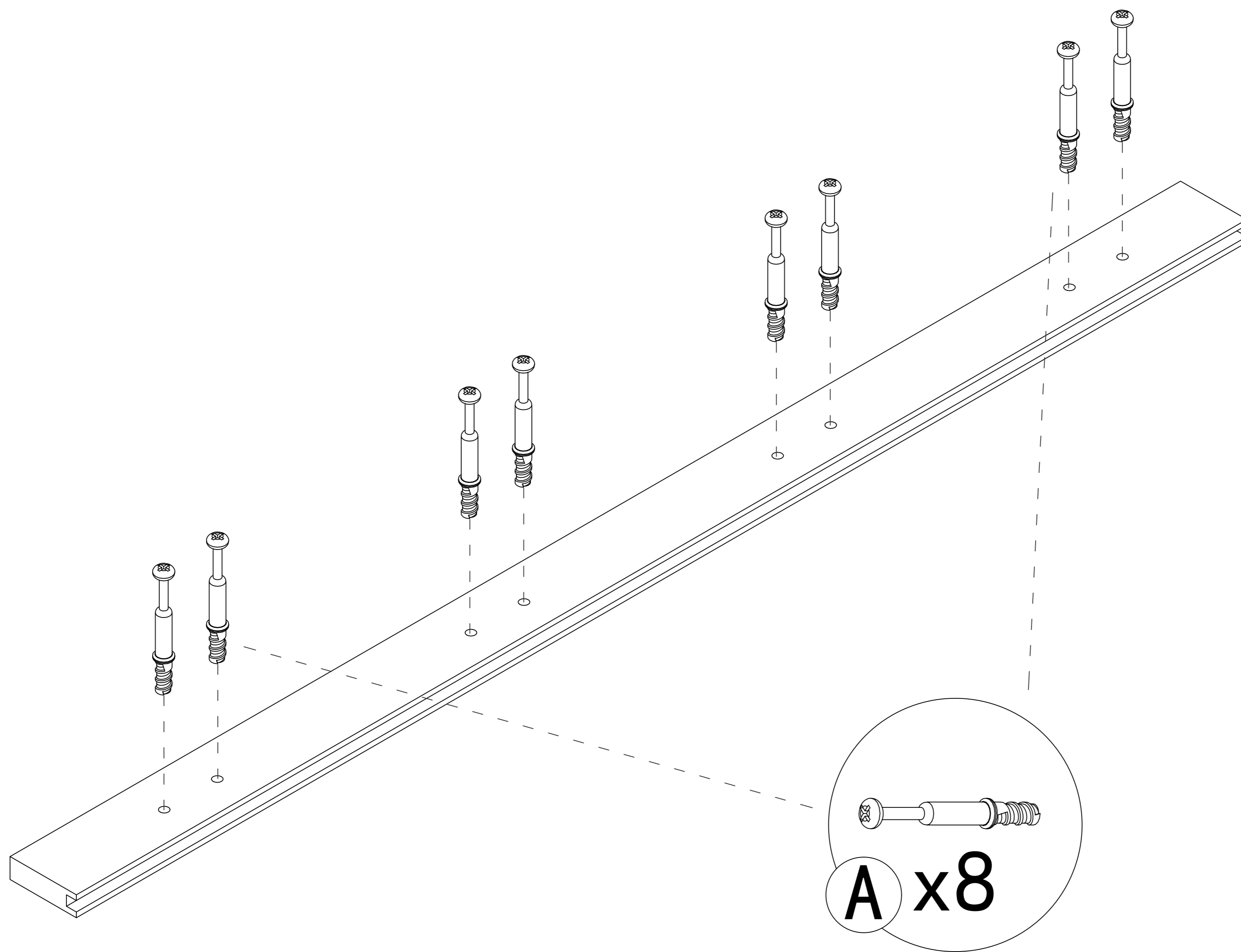
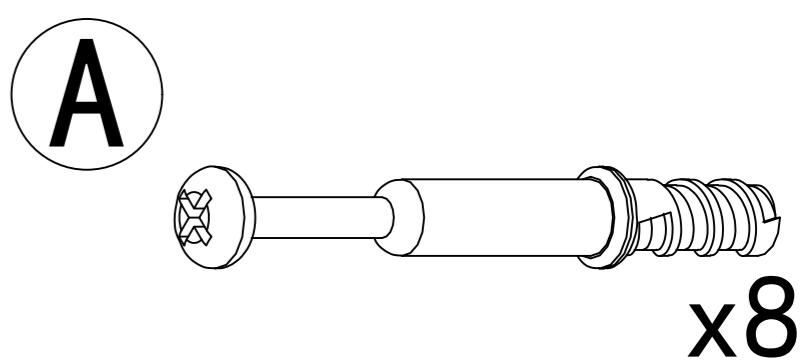
x10



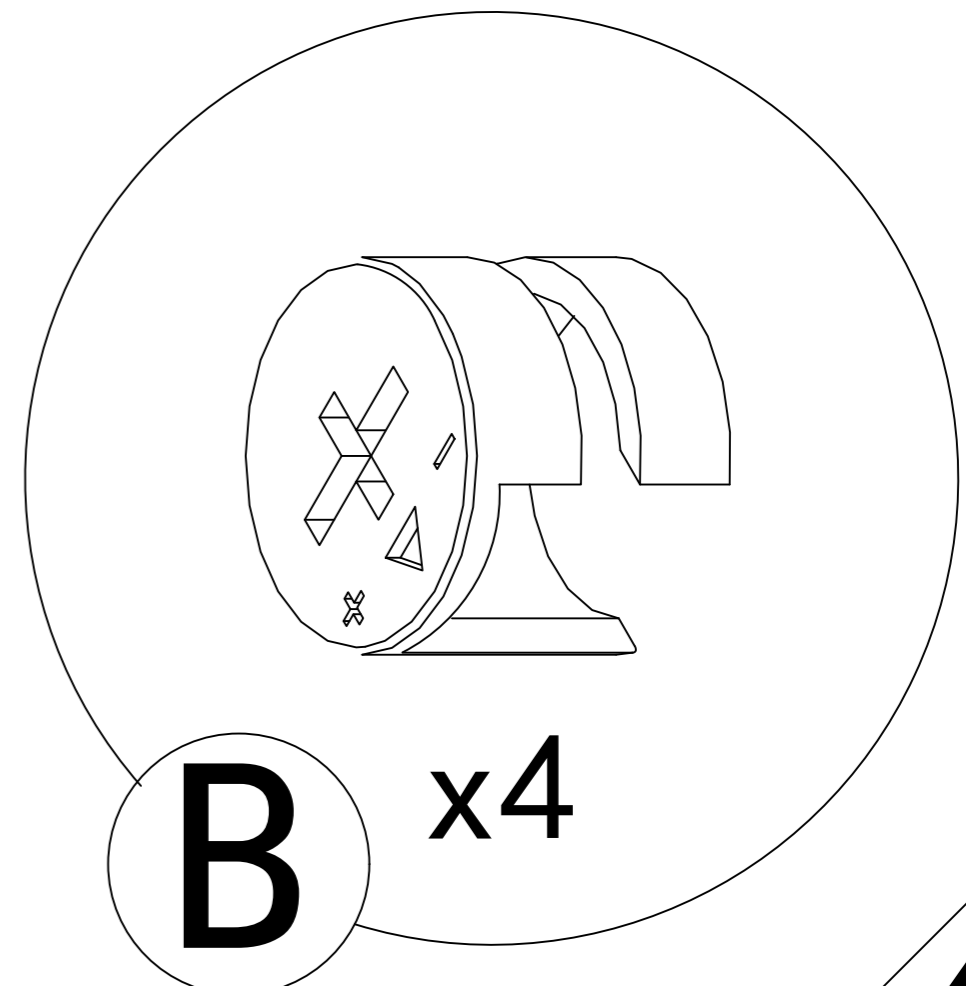
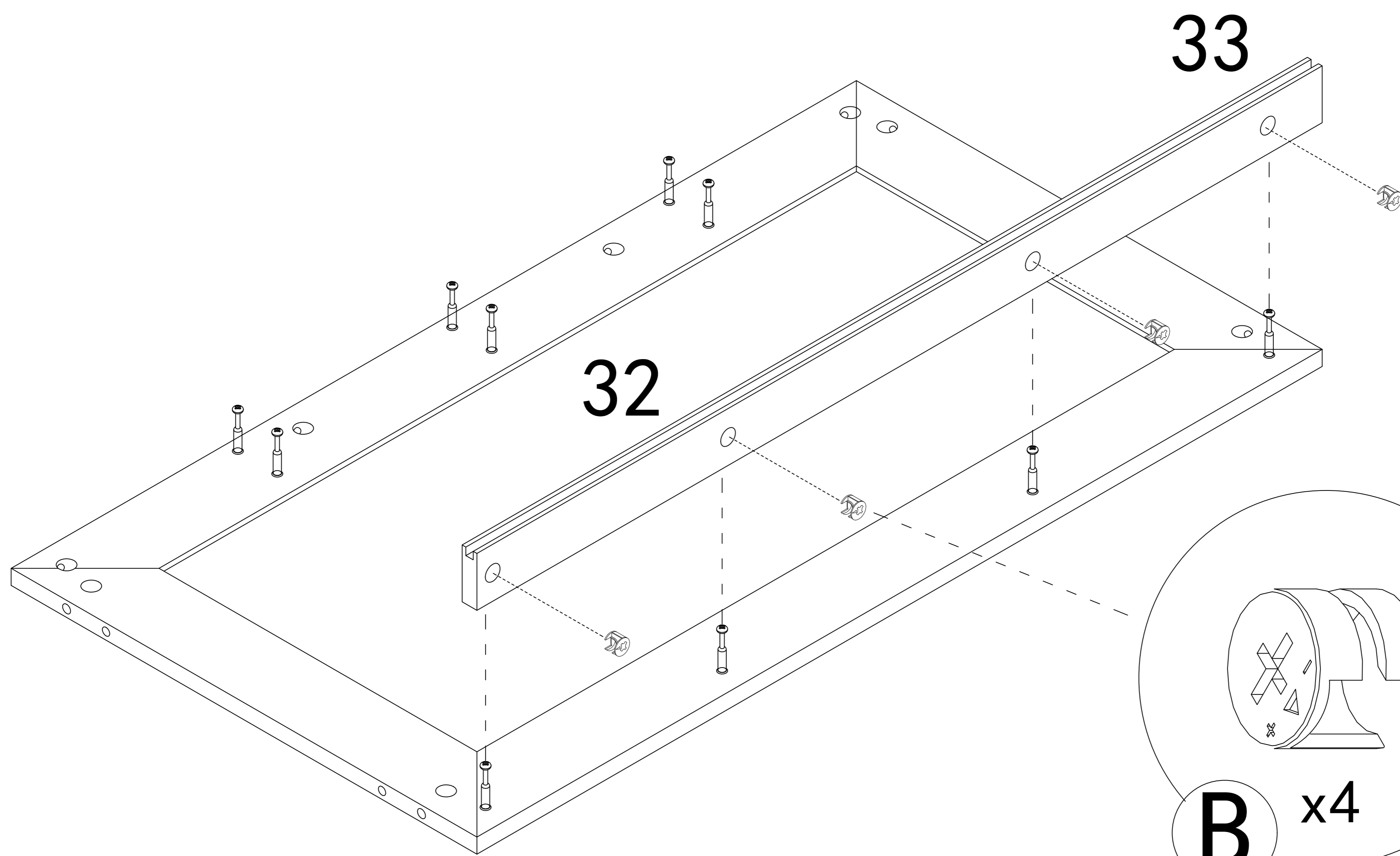
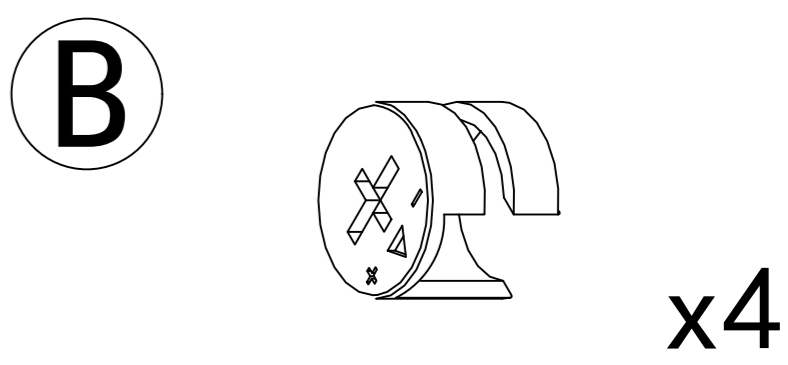
A x10

41

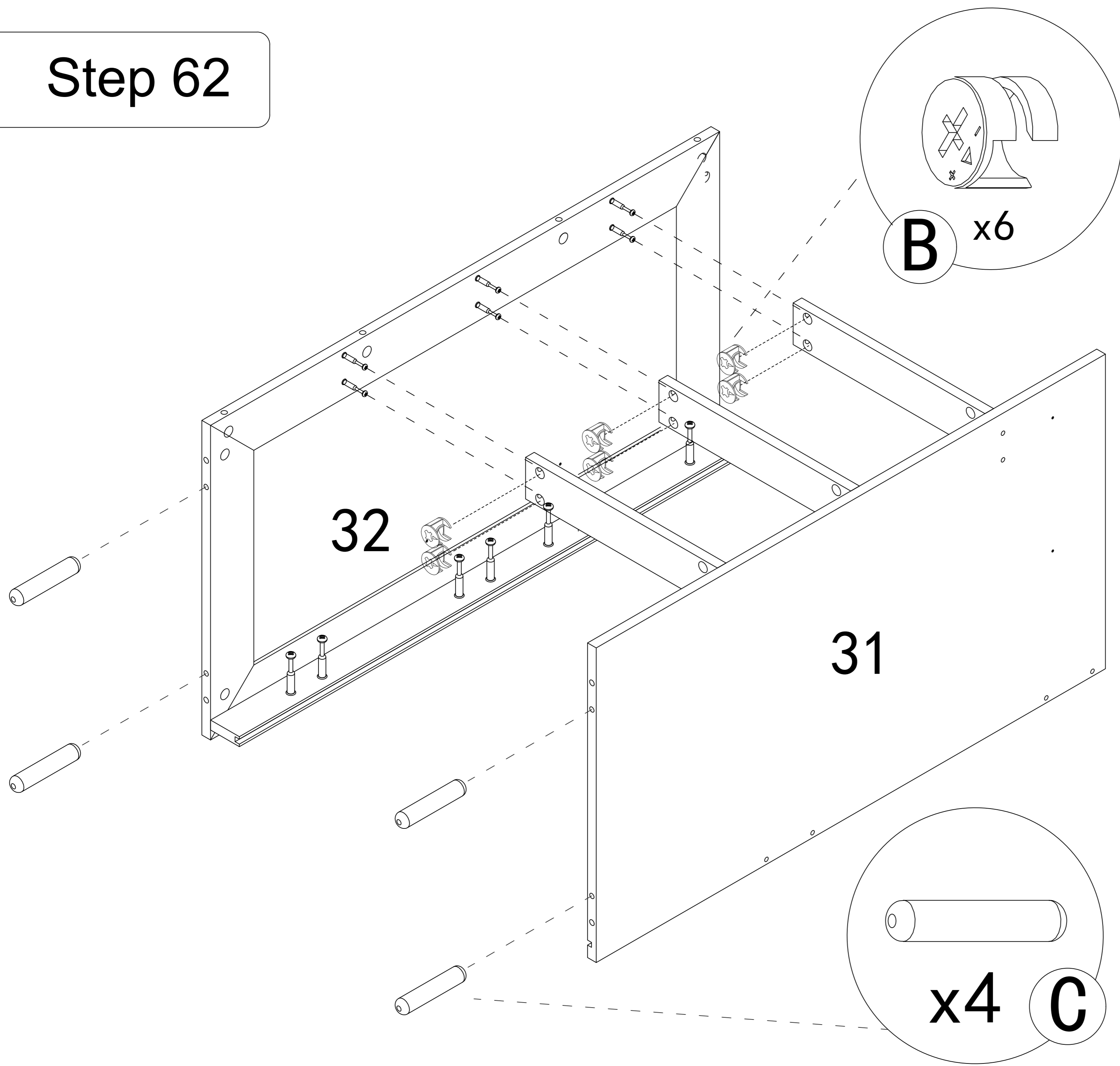
Step 60

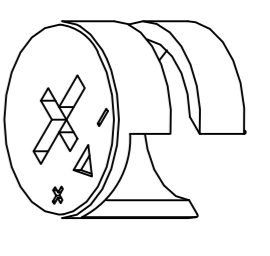



Step 61

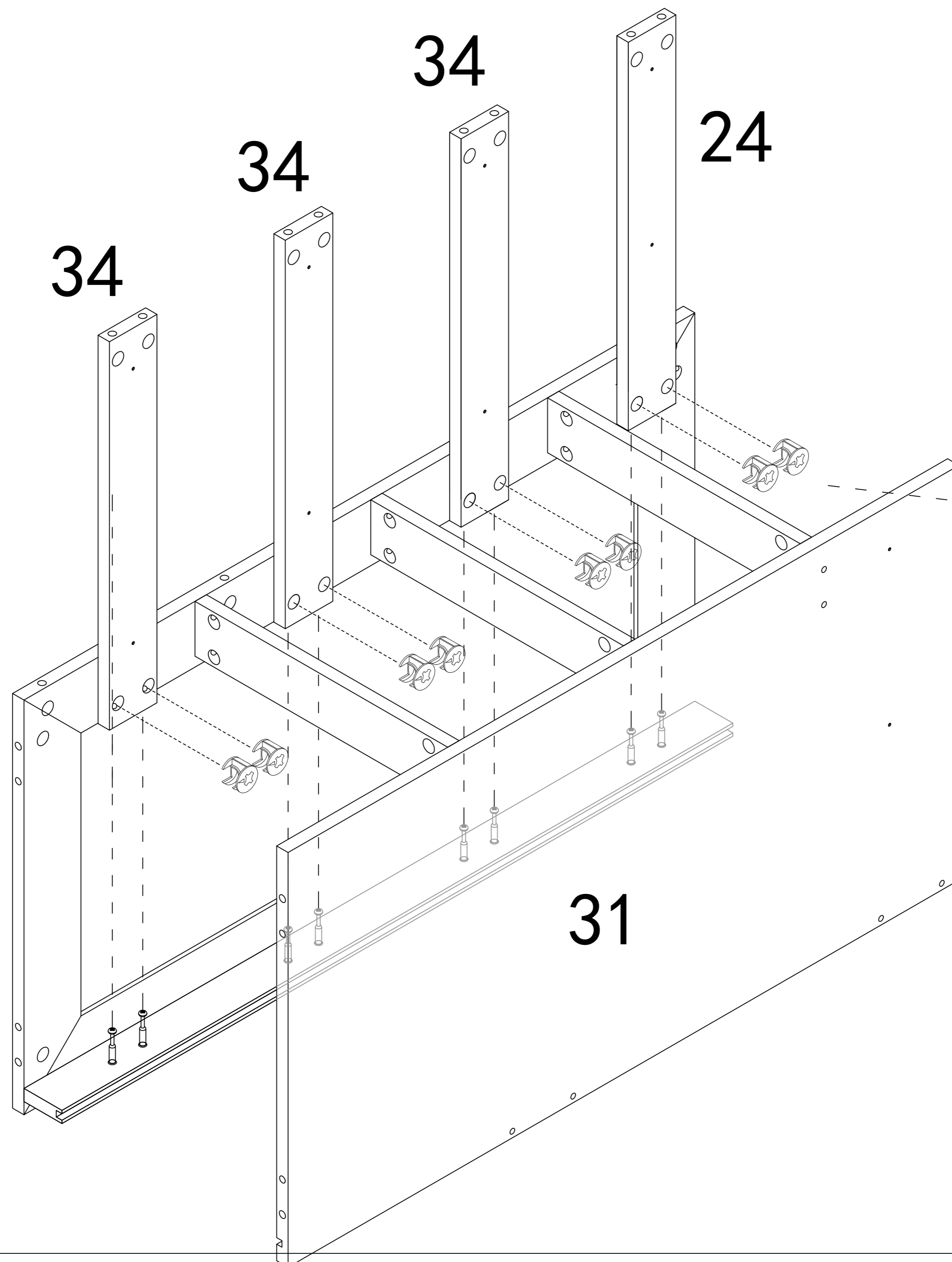


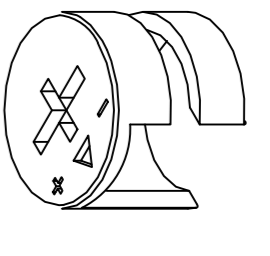
Step 62

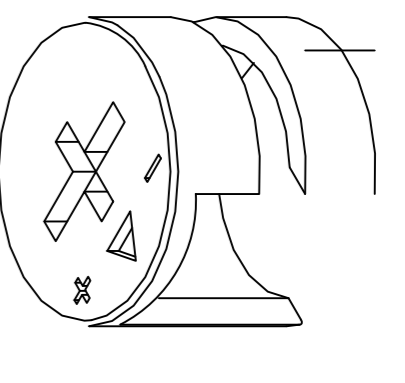


- B**  x6
- C**  x4

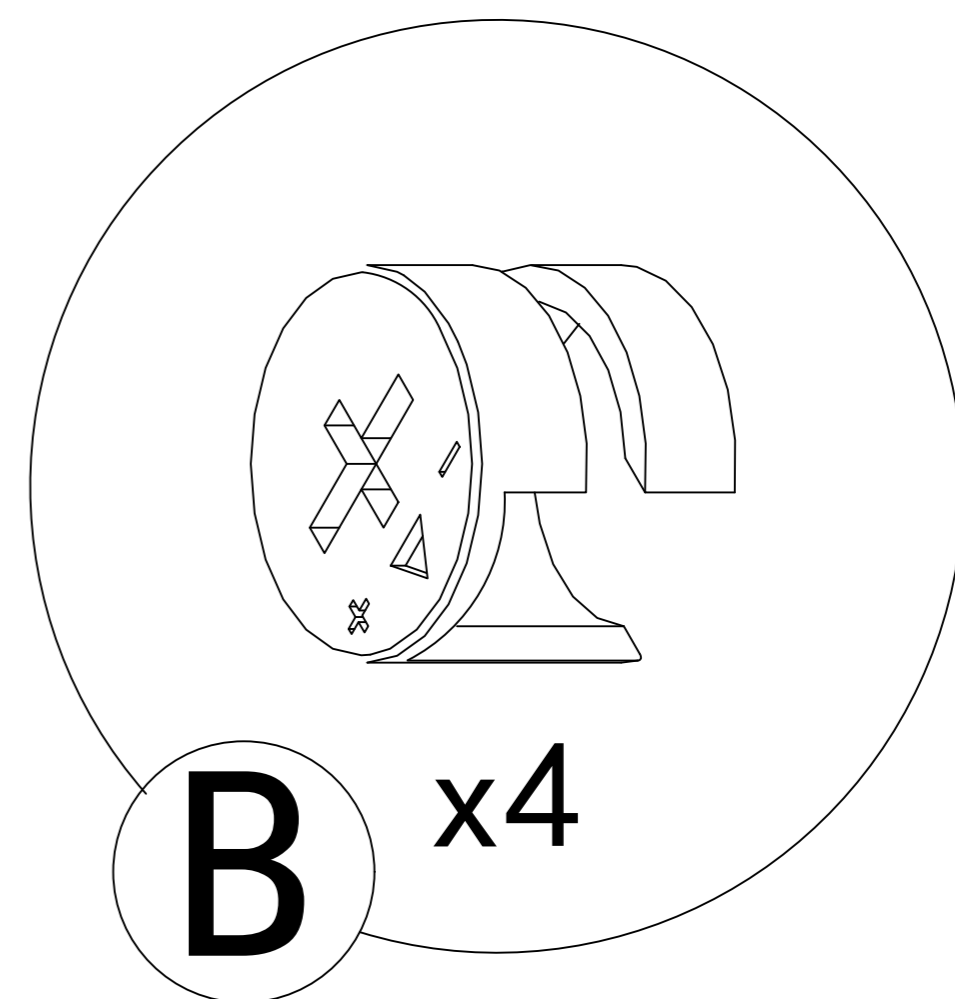
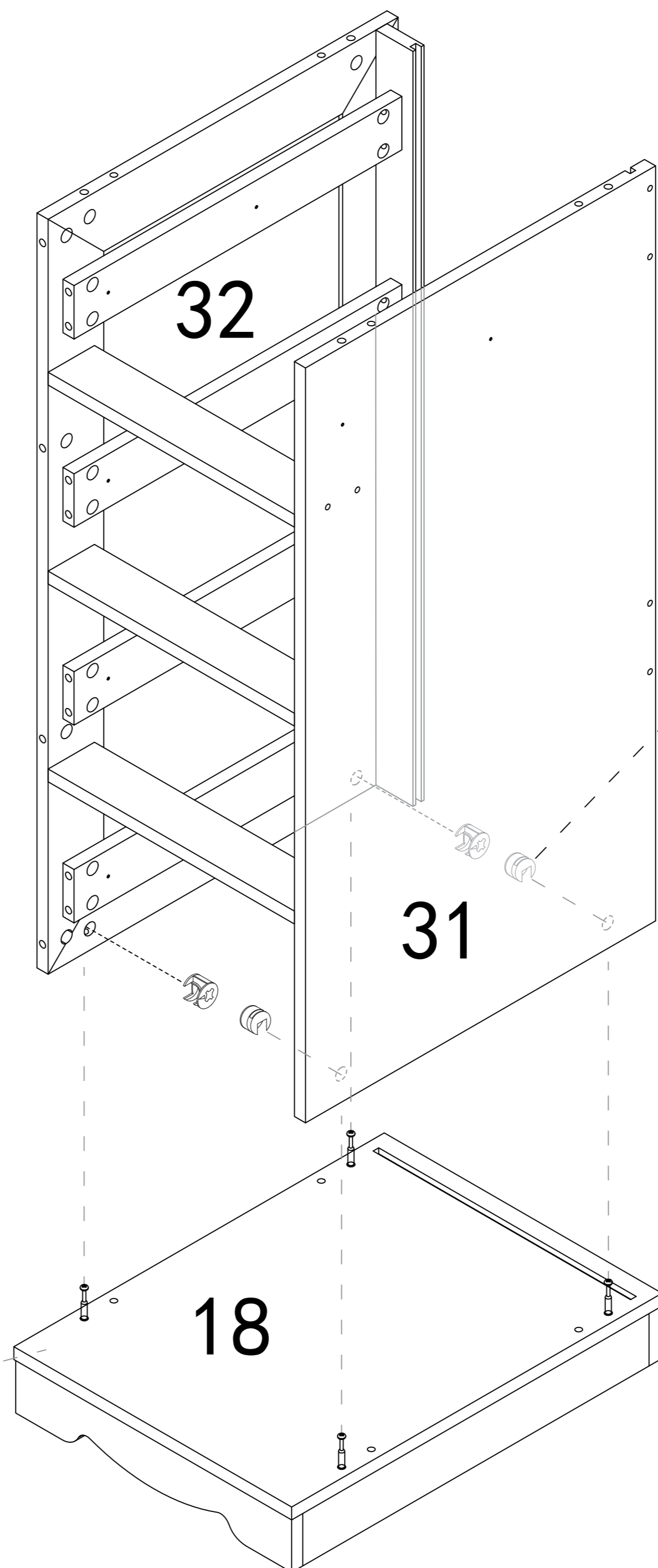
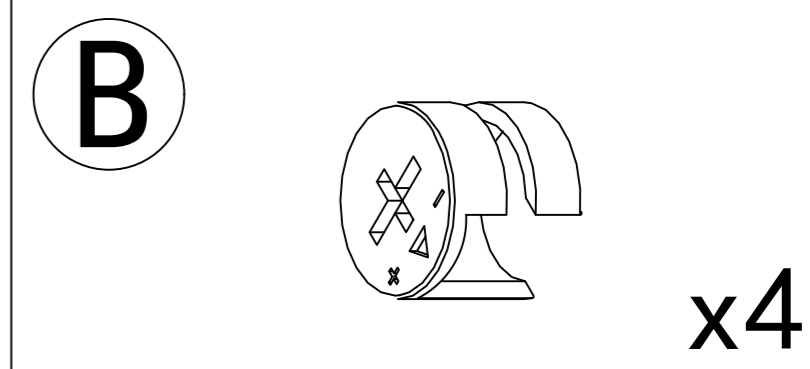
Step 63



- B**  x8

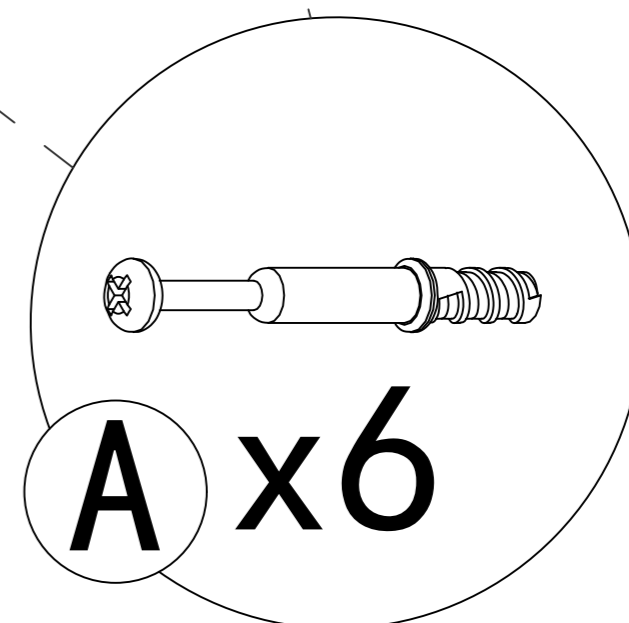
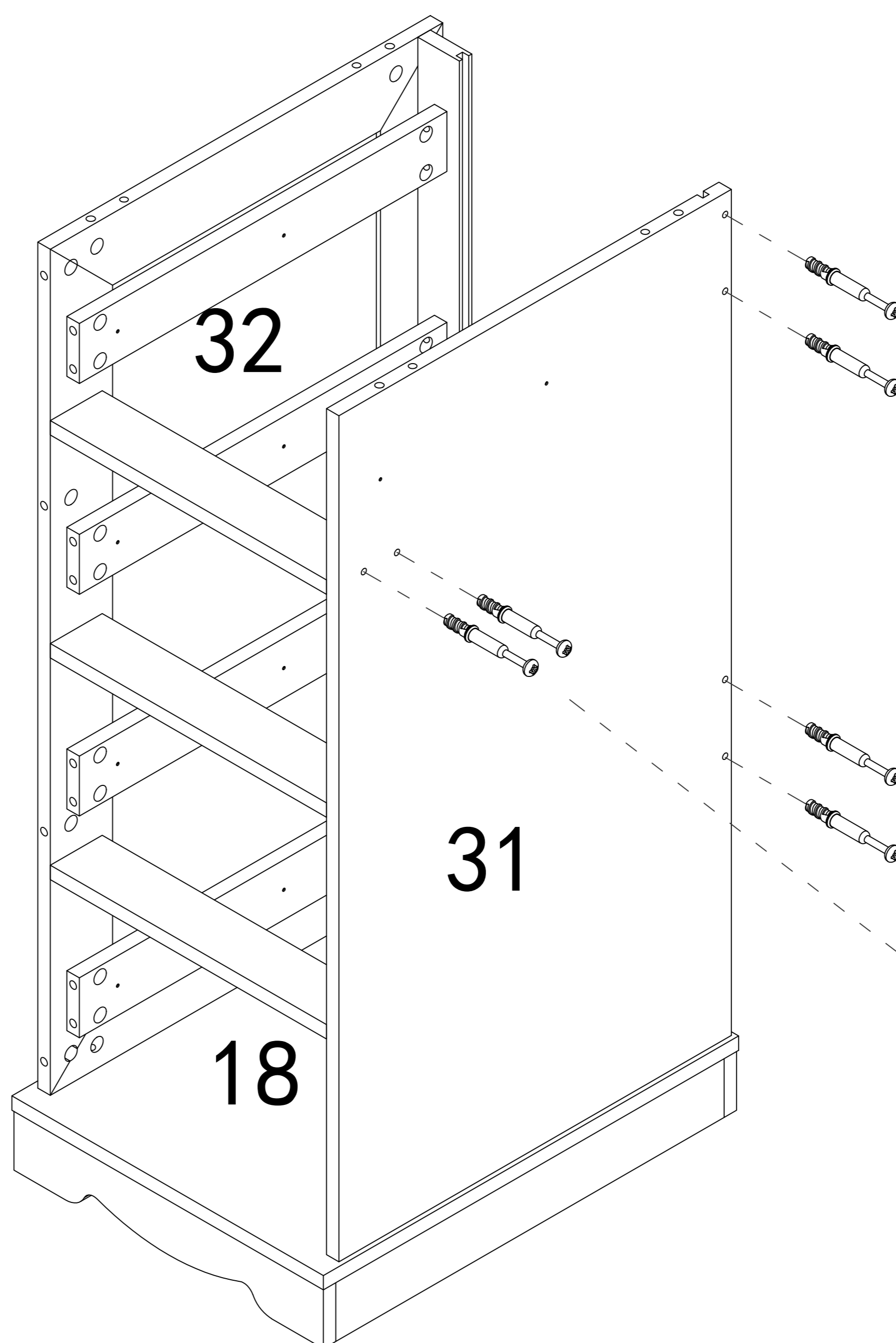
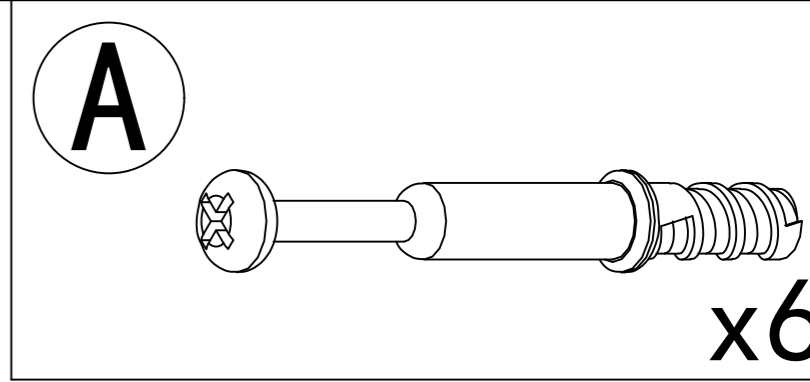
- B**  x8

Step 64

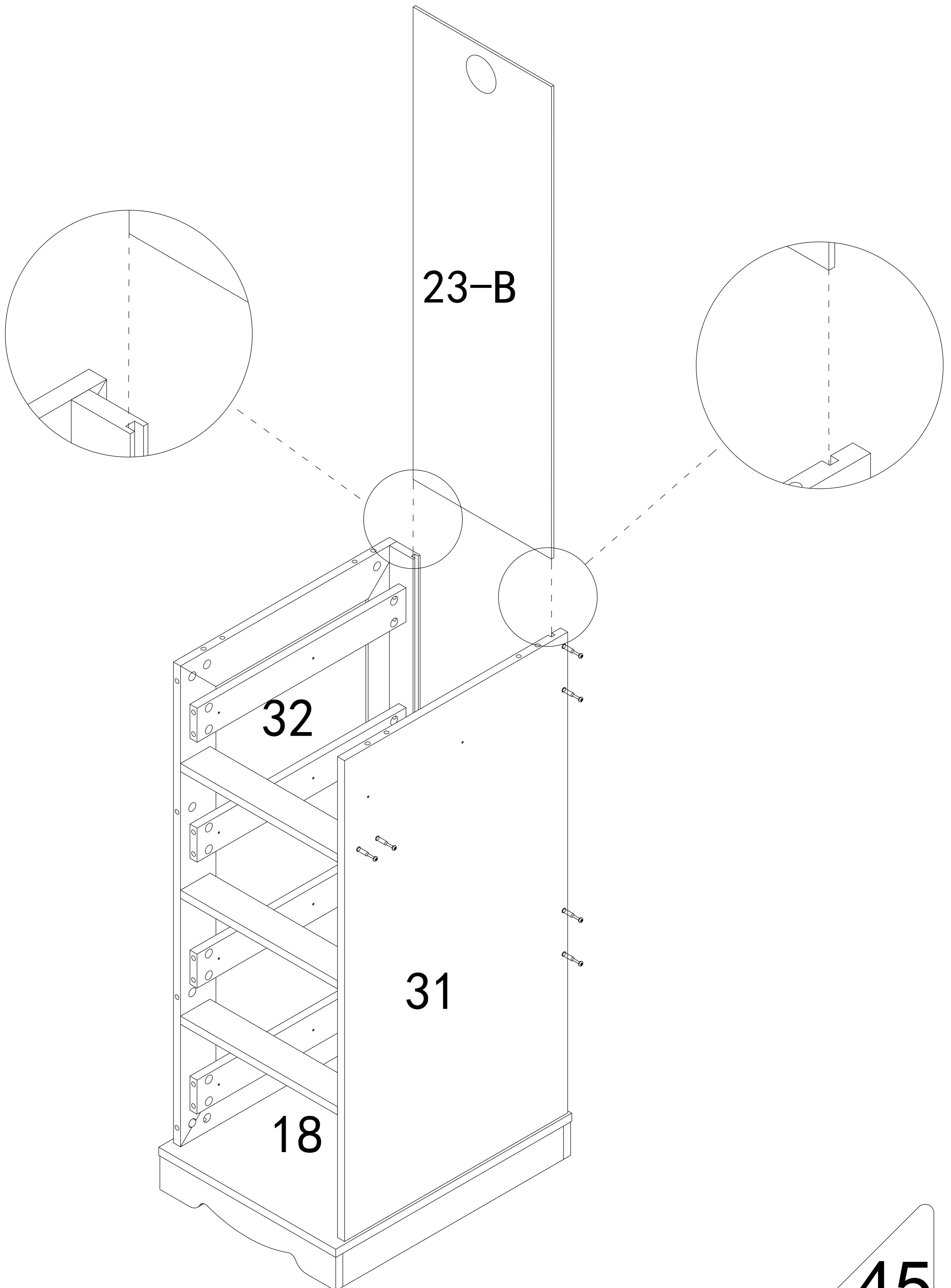


From Step 43

Step 65

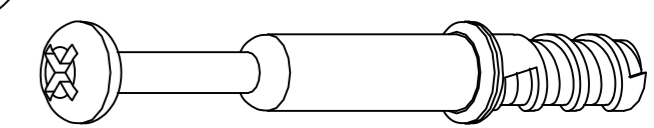


Step 66

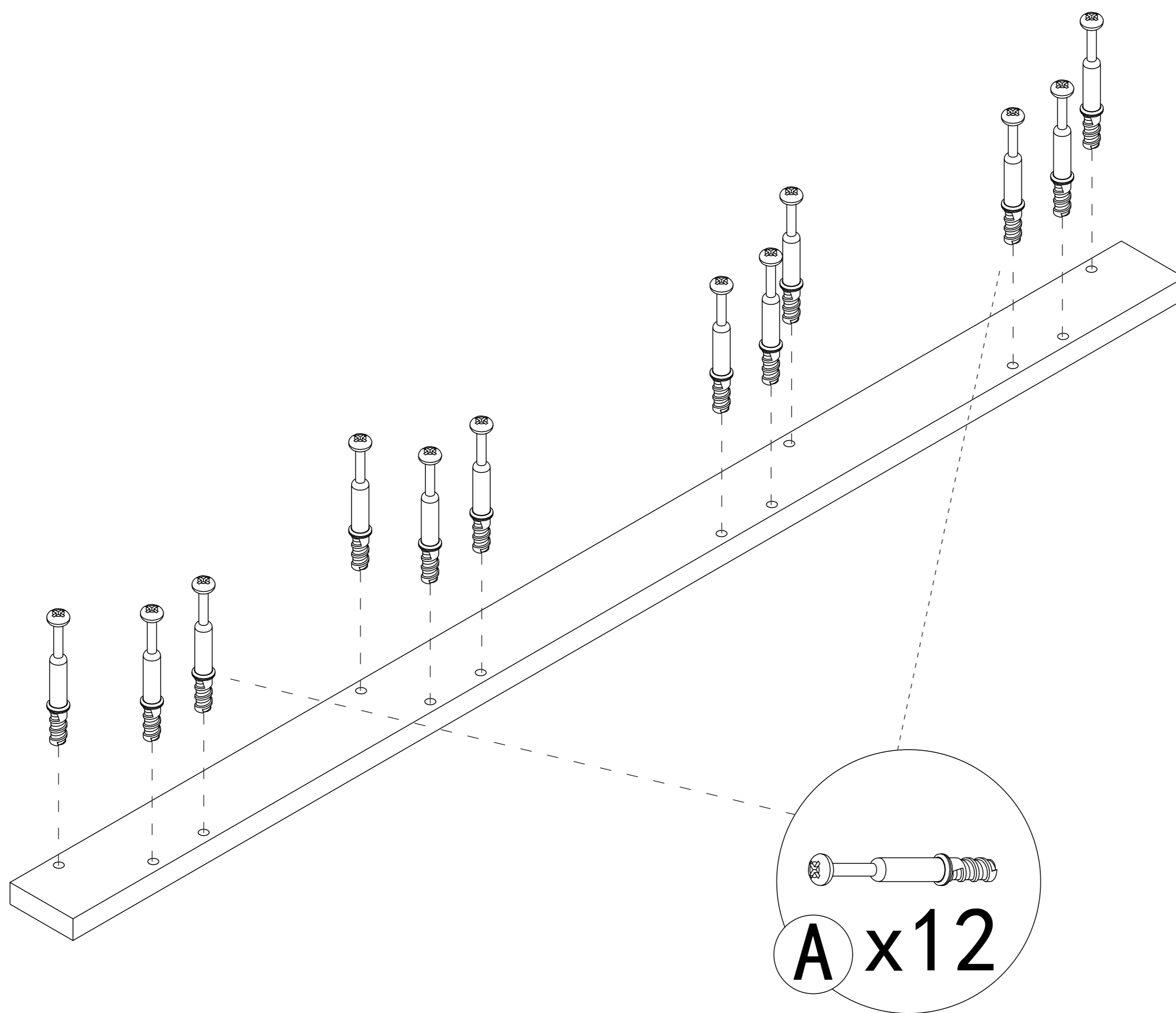


Step 67

A

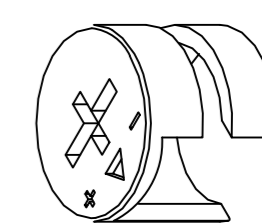


x12

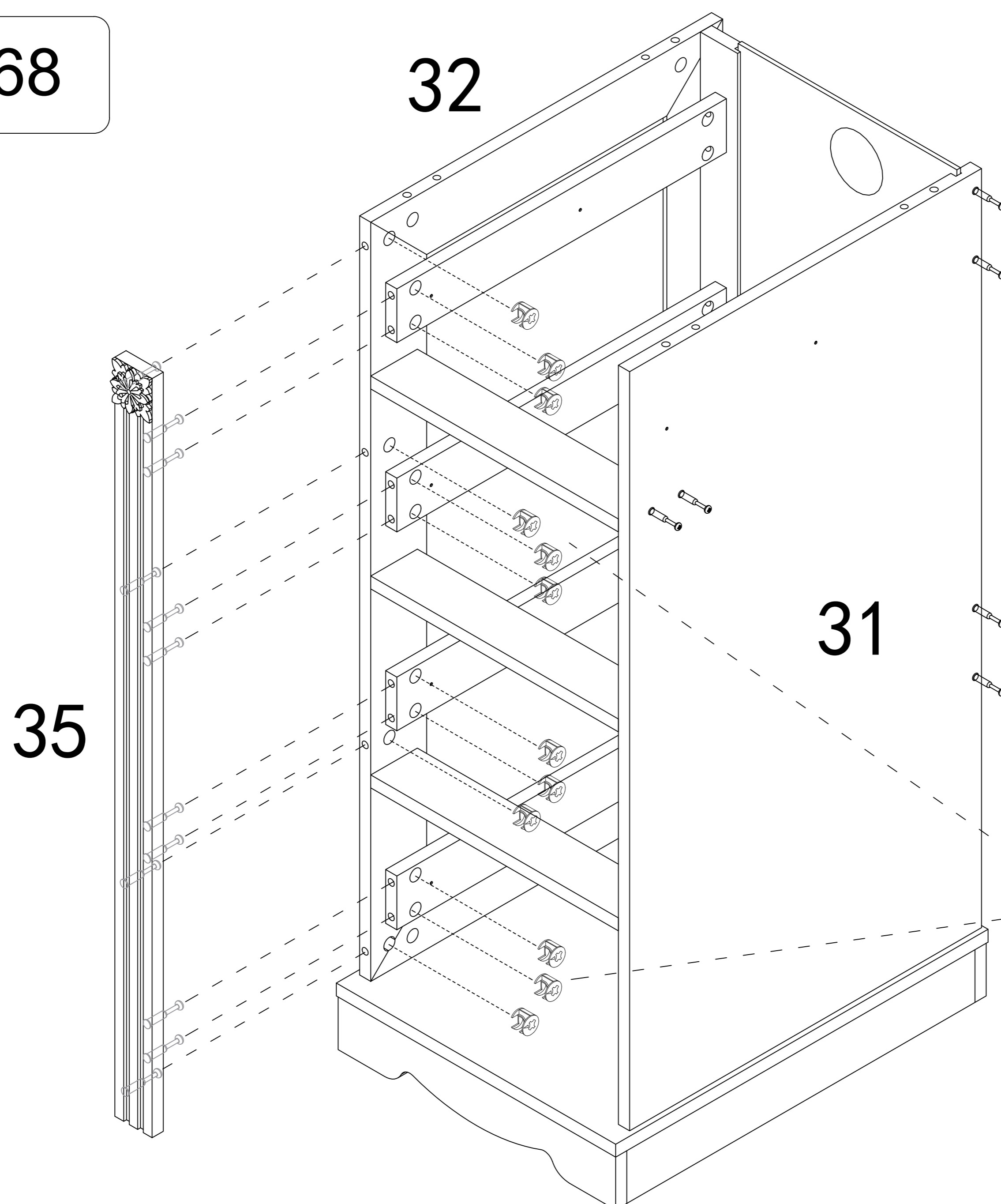


Step 68

B



x12



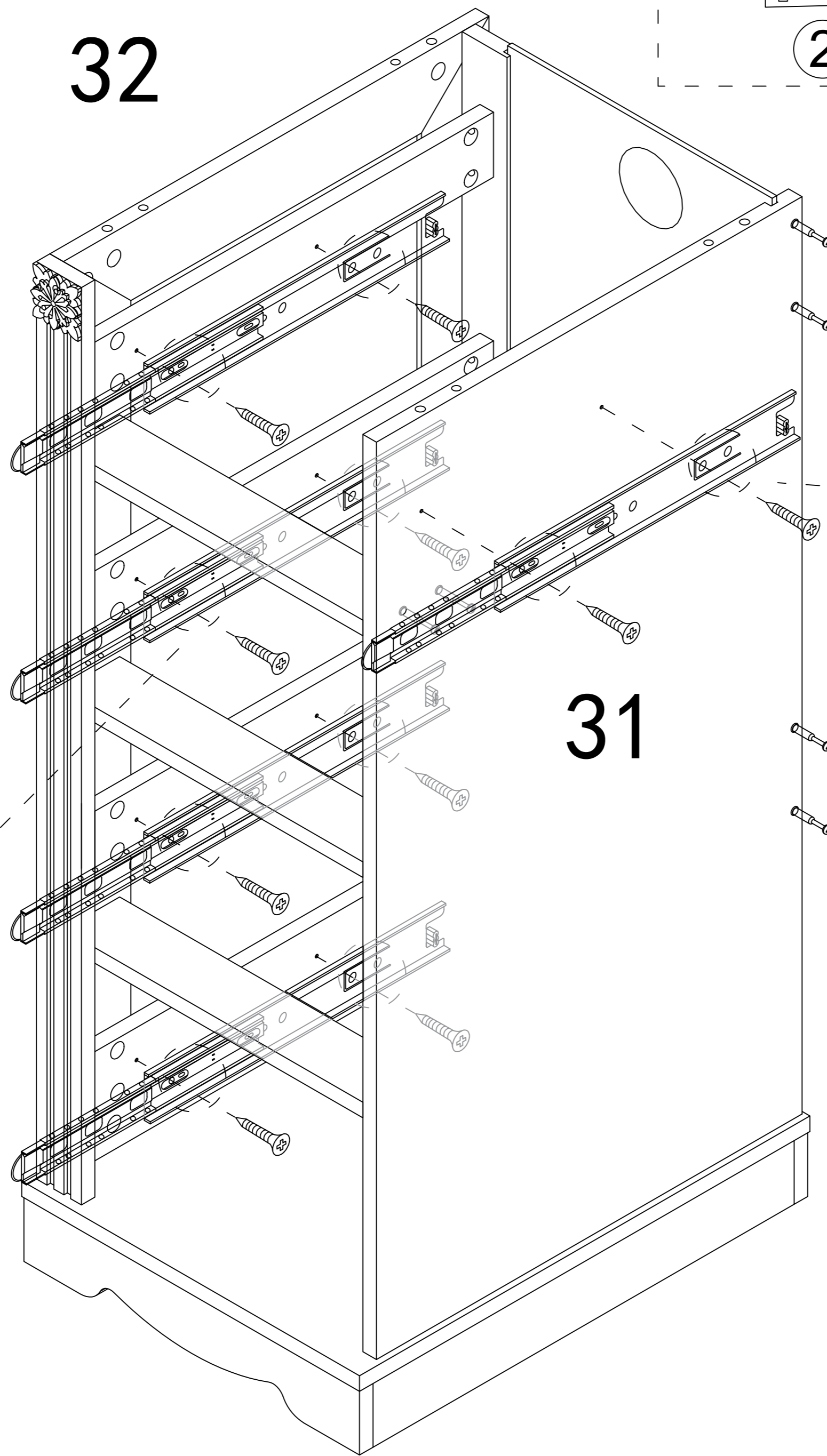
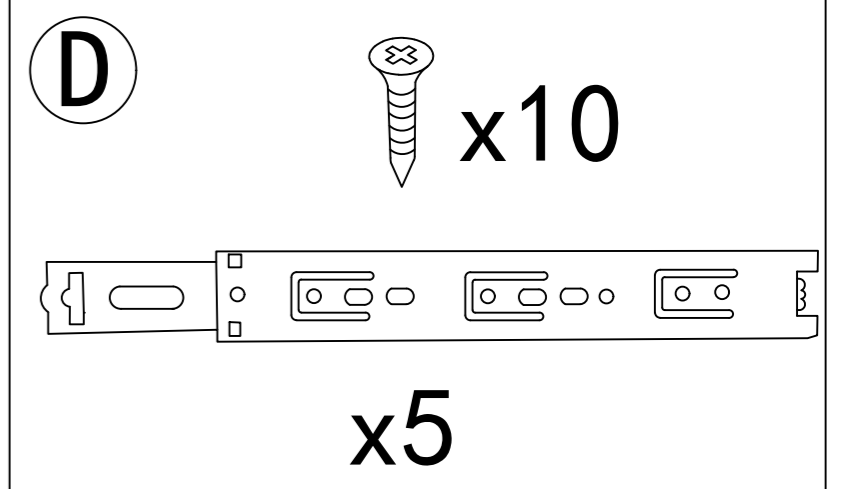
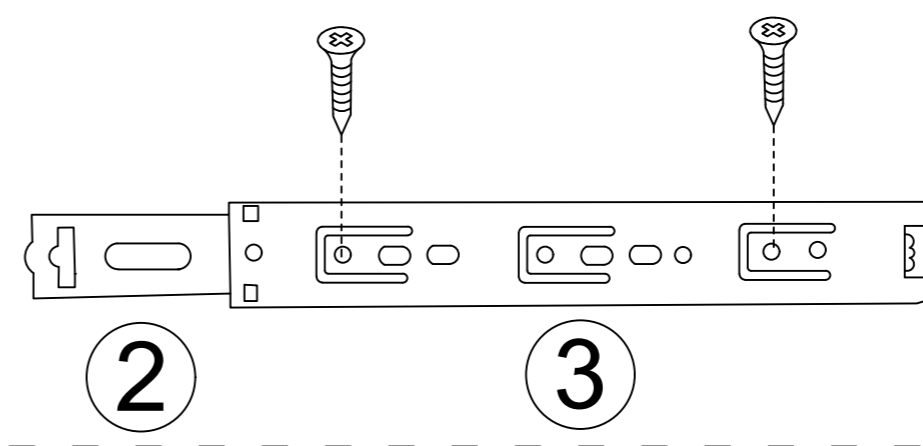
B

x12

46

Step 69

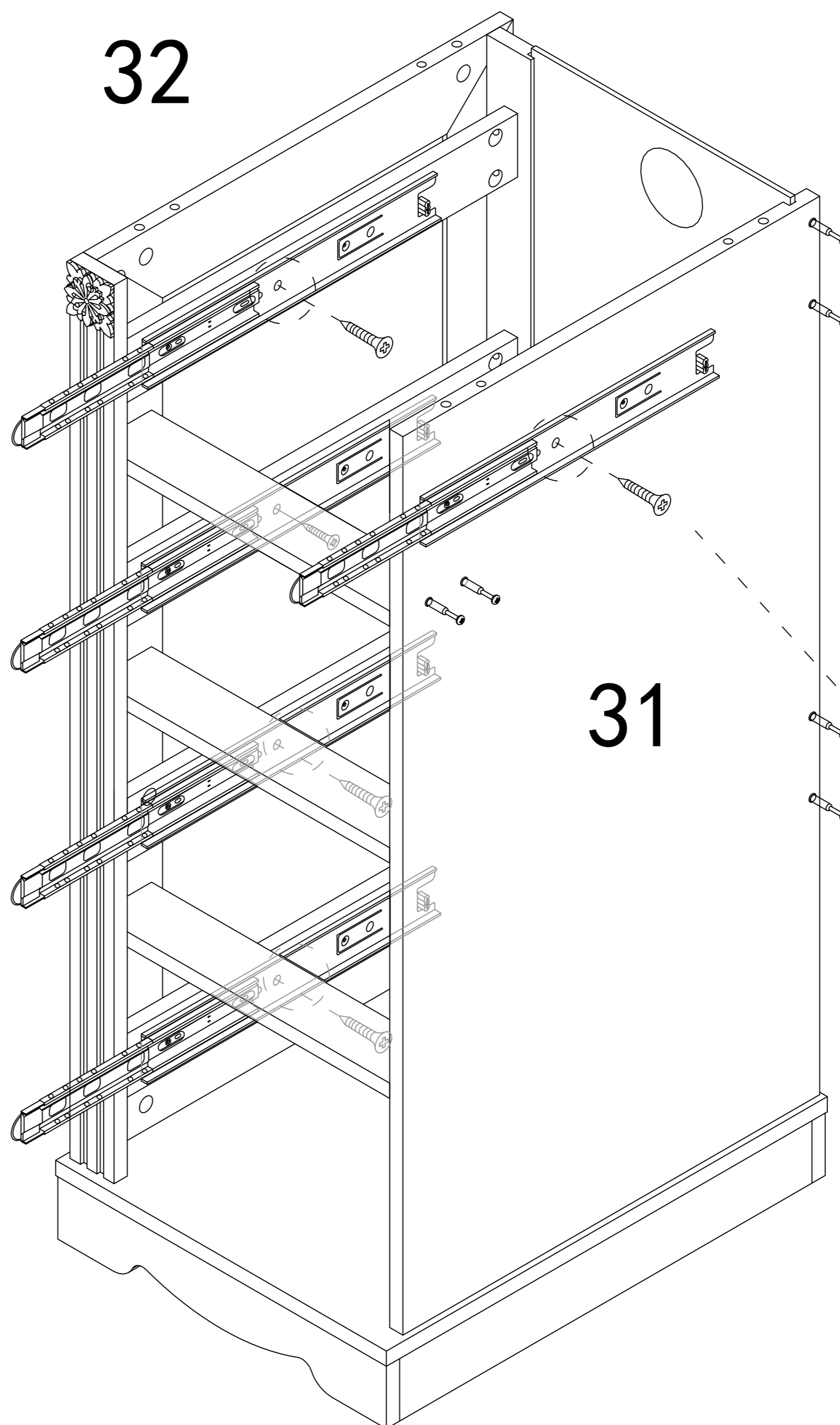
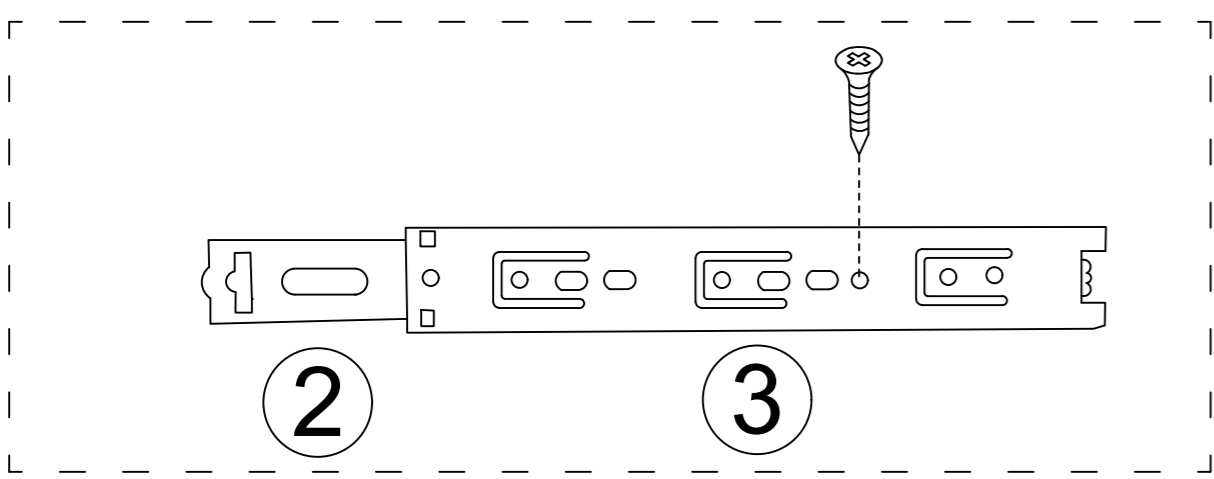
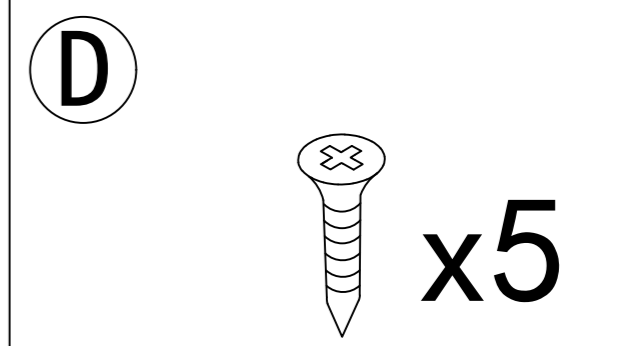
32



31

Step 70

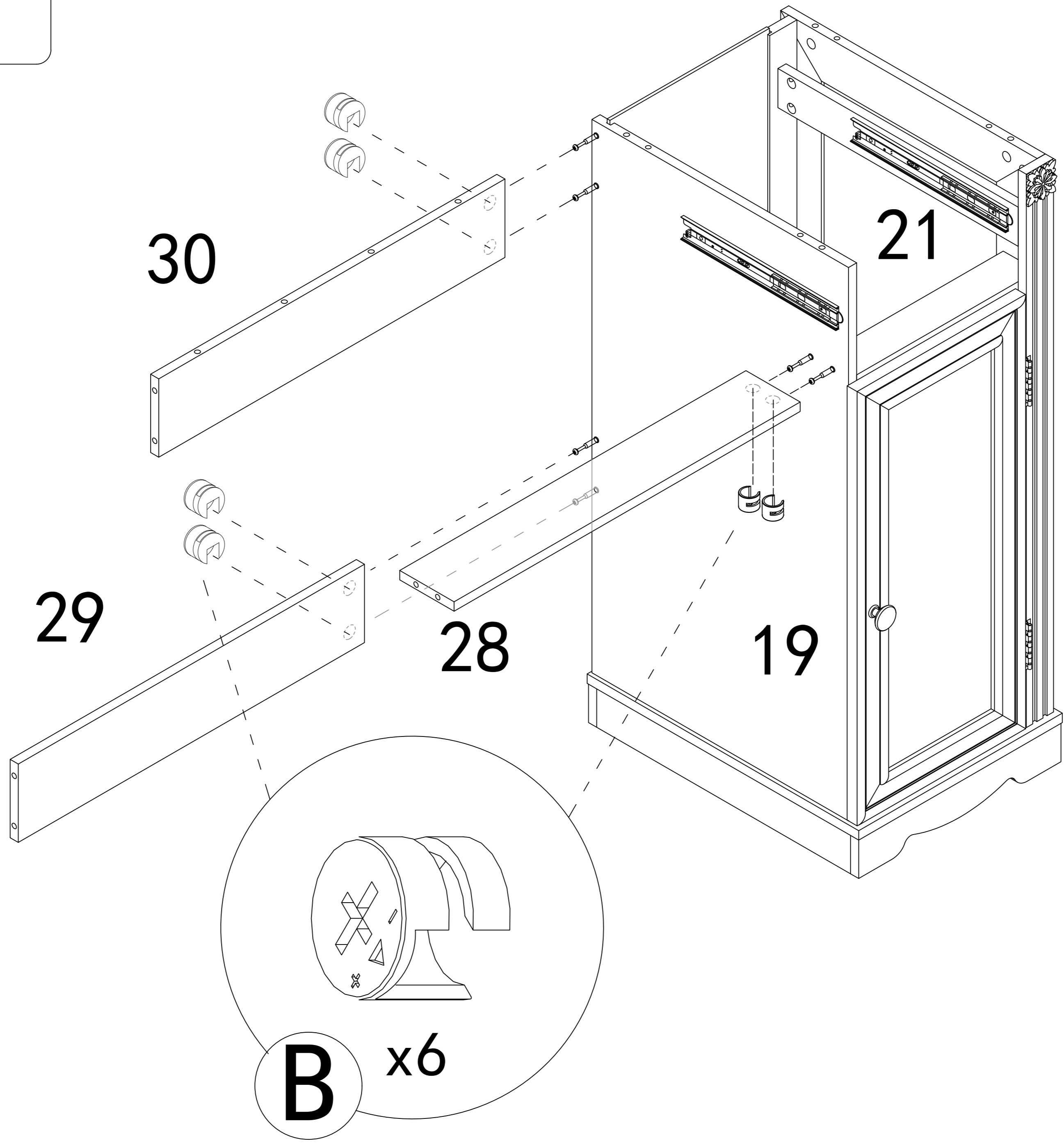
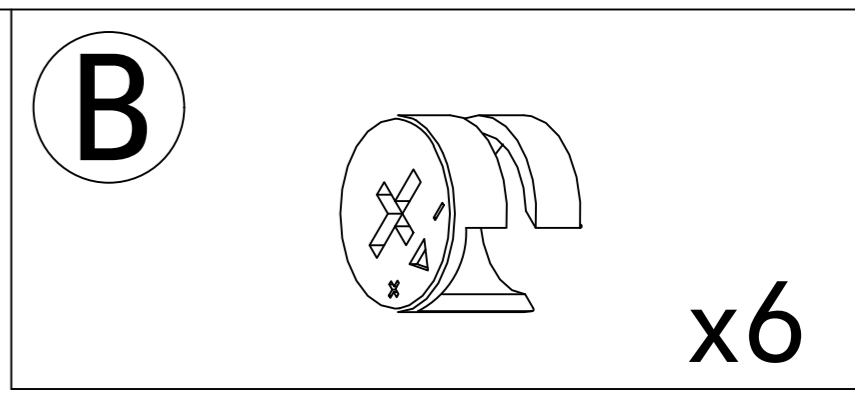
32



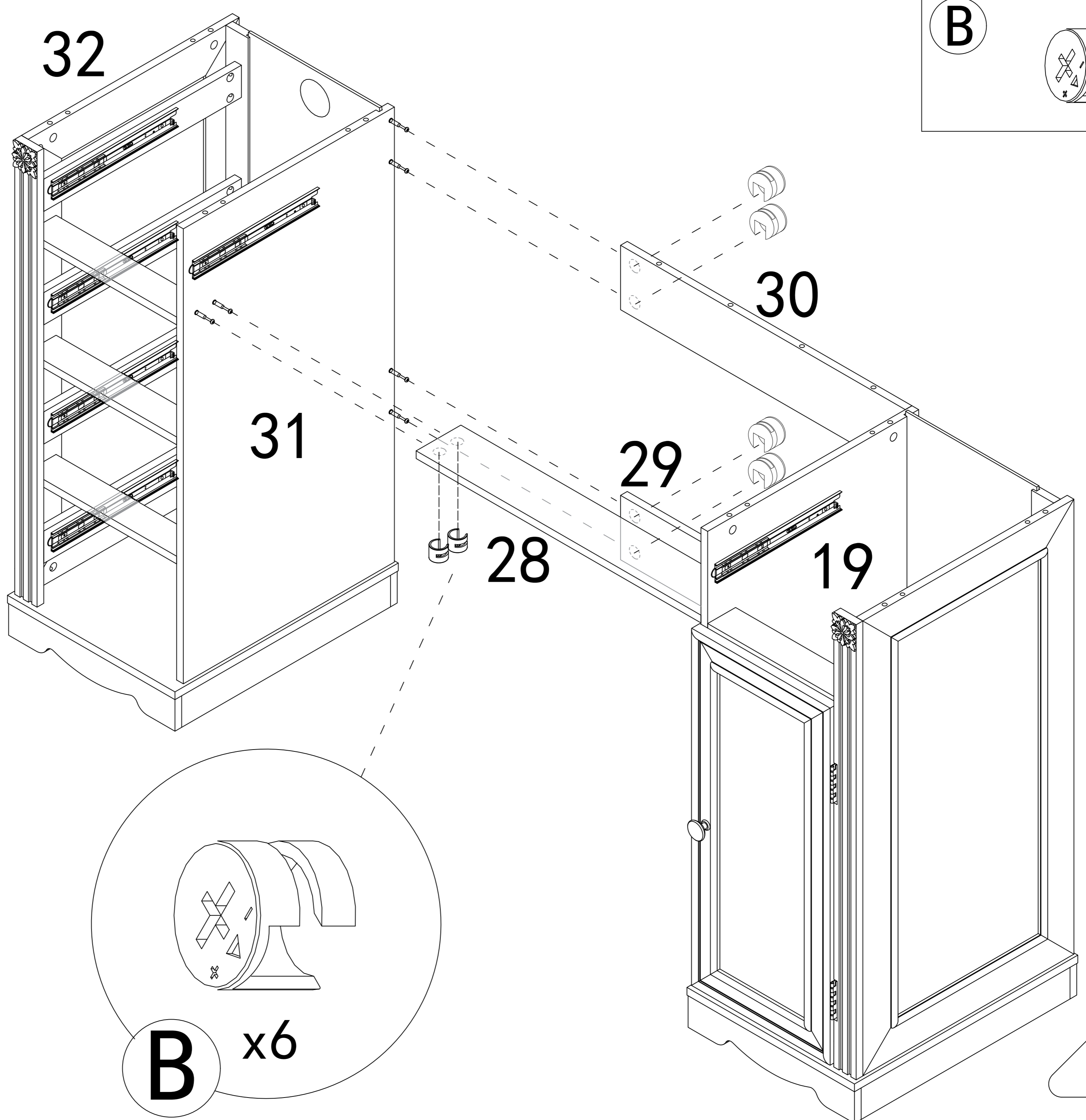
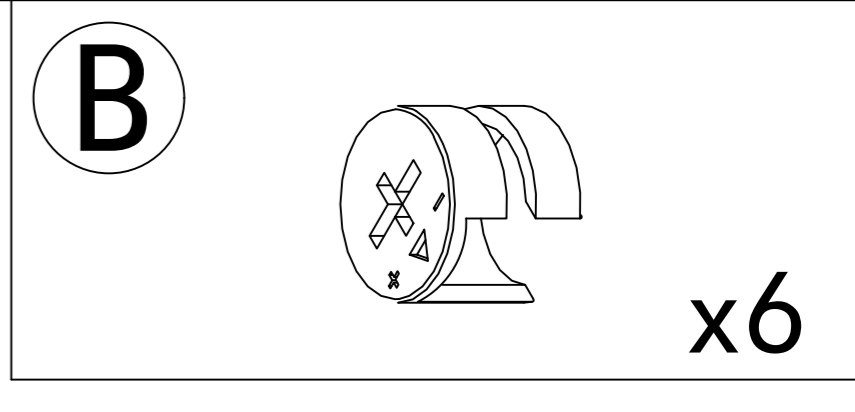
31

This hole is for strengthening fixed hole customers can choose to install according to their needs.

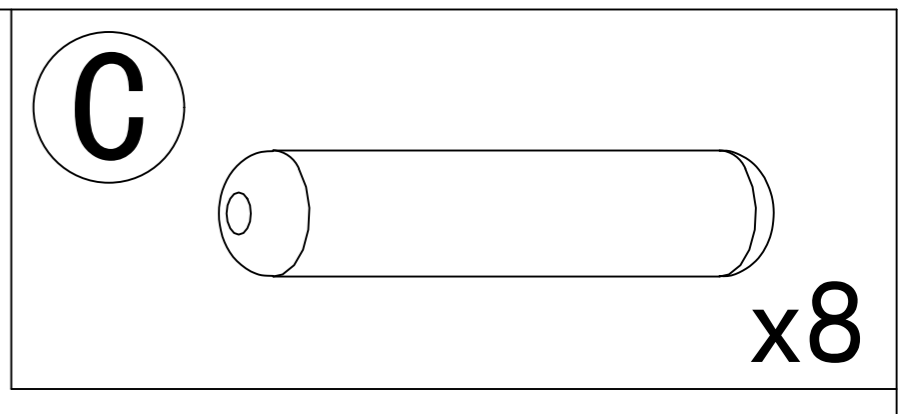
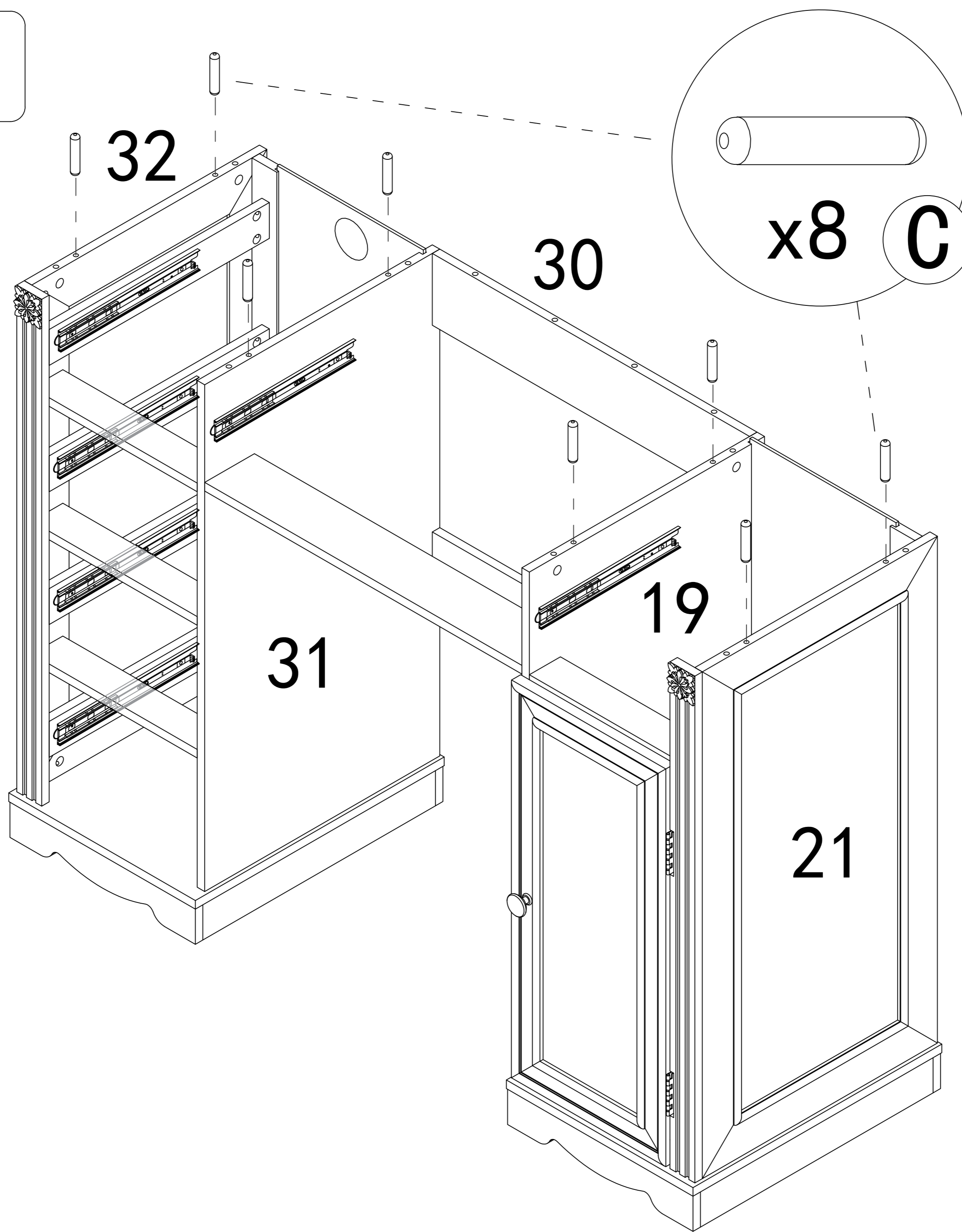
Step 71



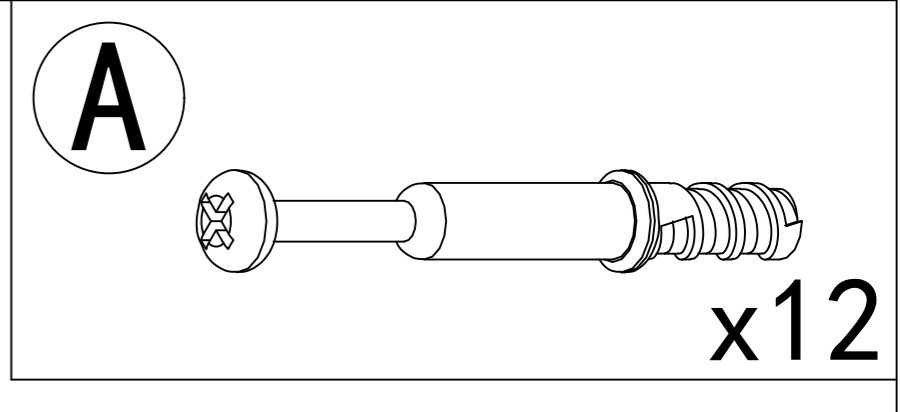
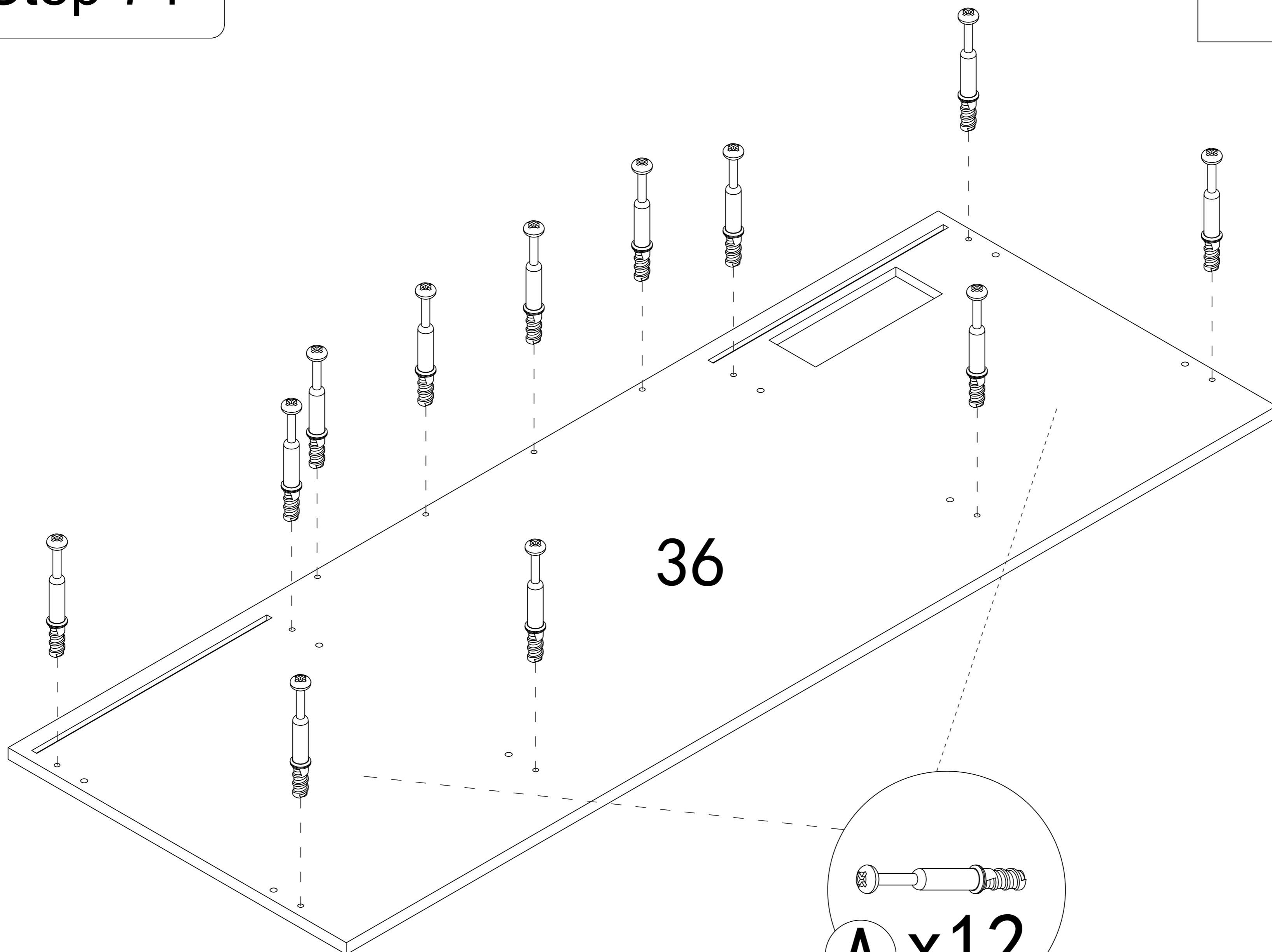
Step 72



Step 73



Step 74

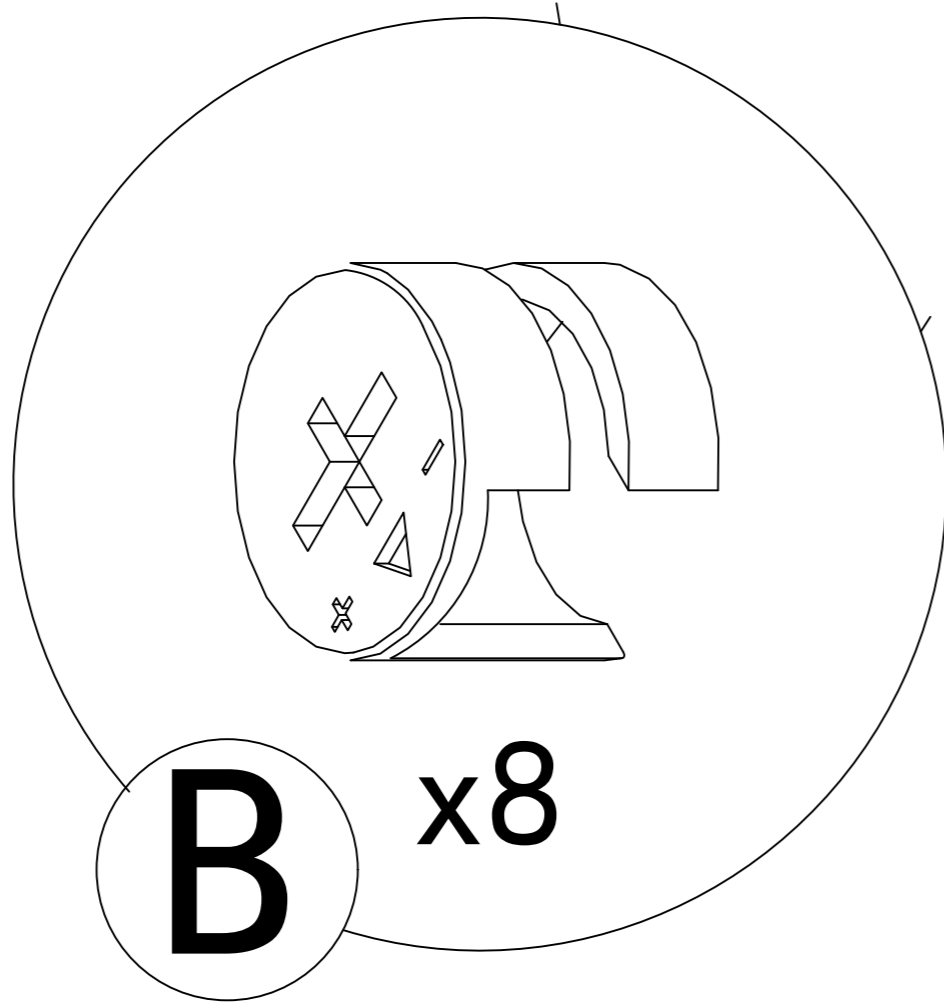
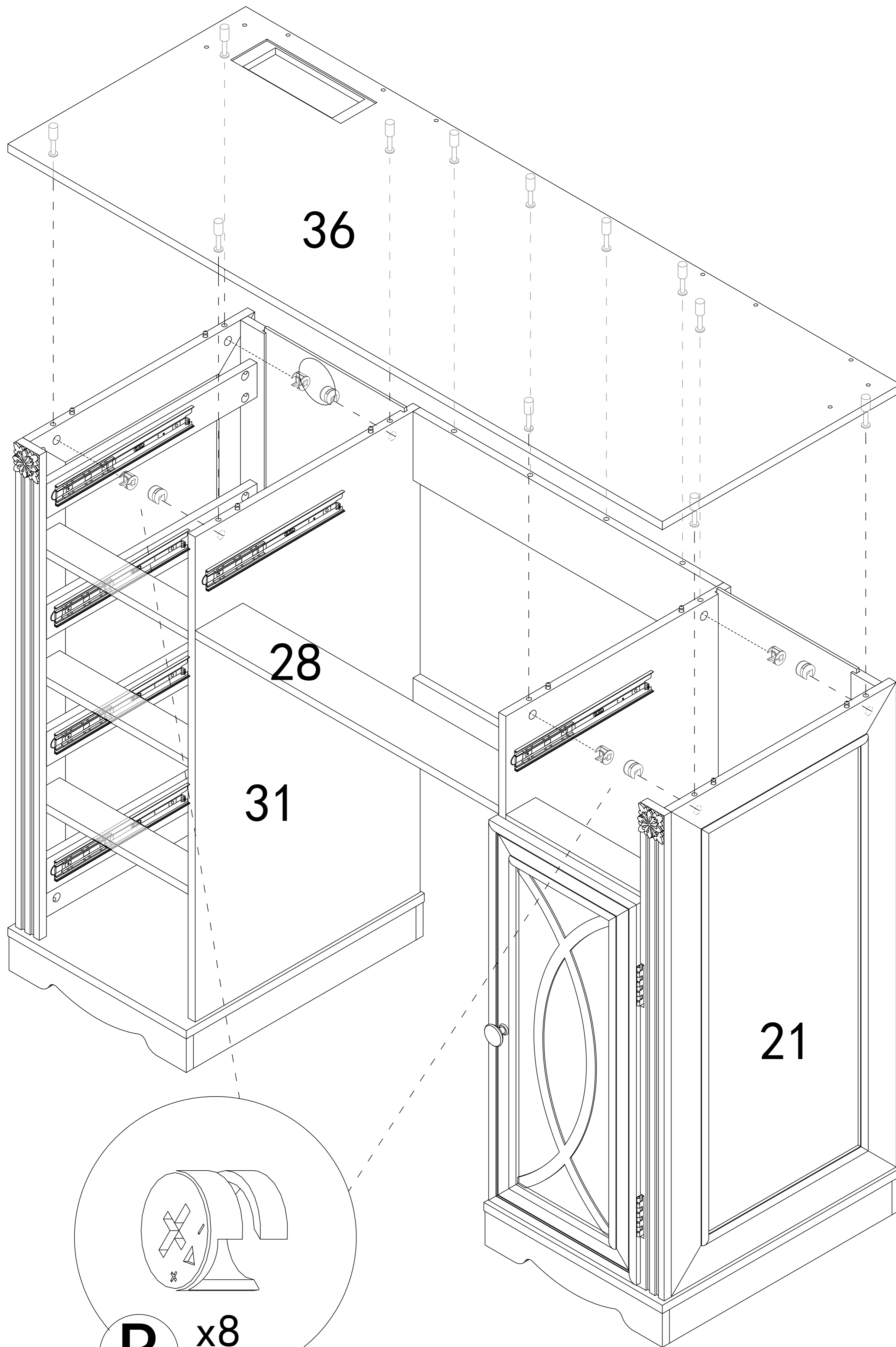


Step 75

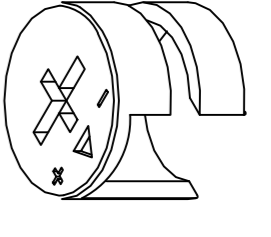
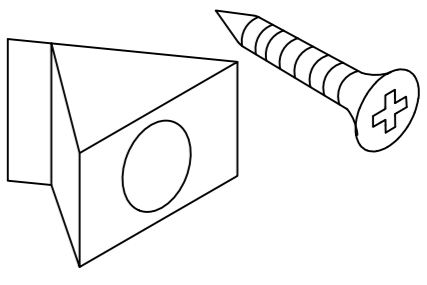
B

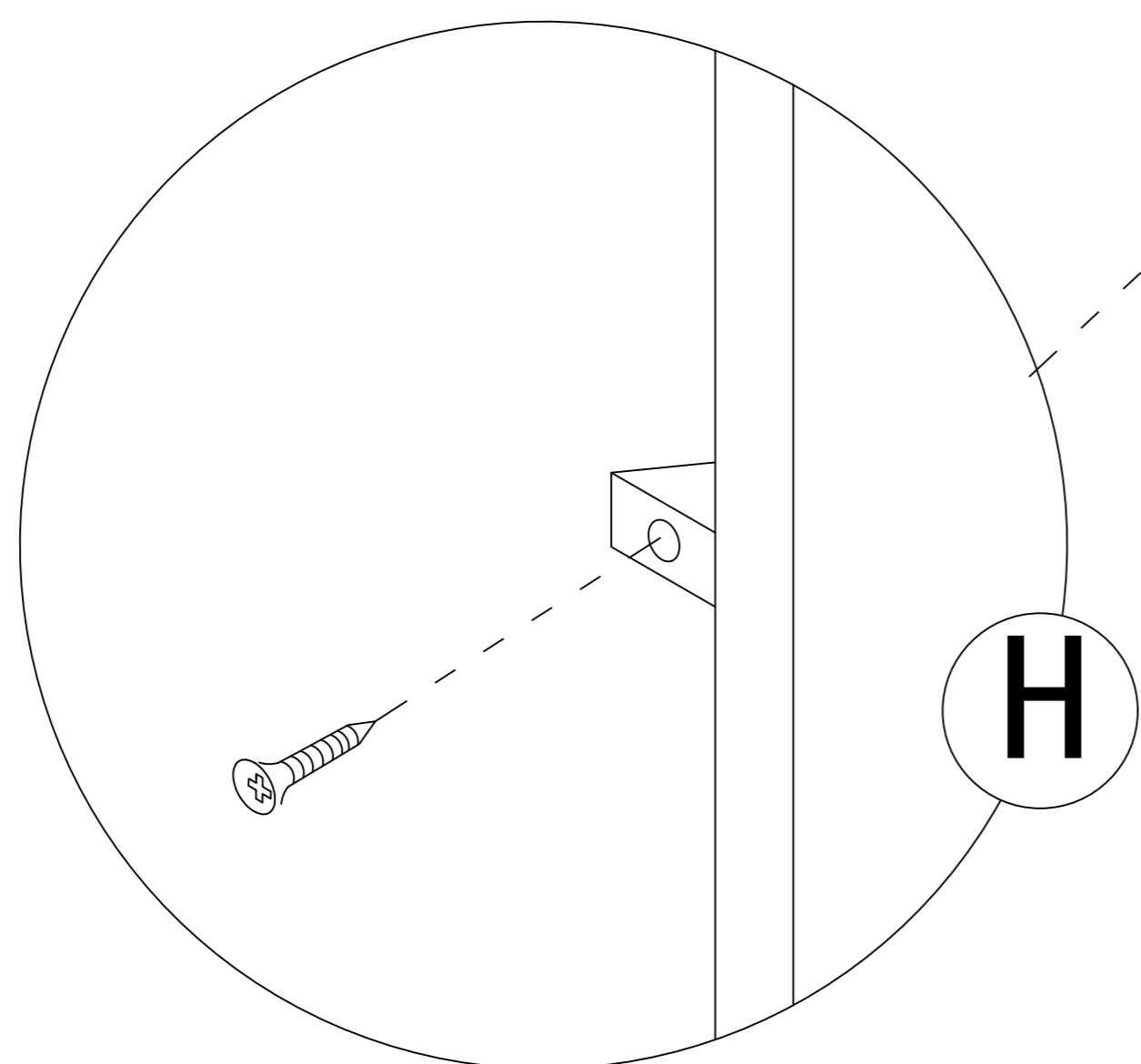
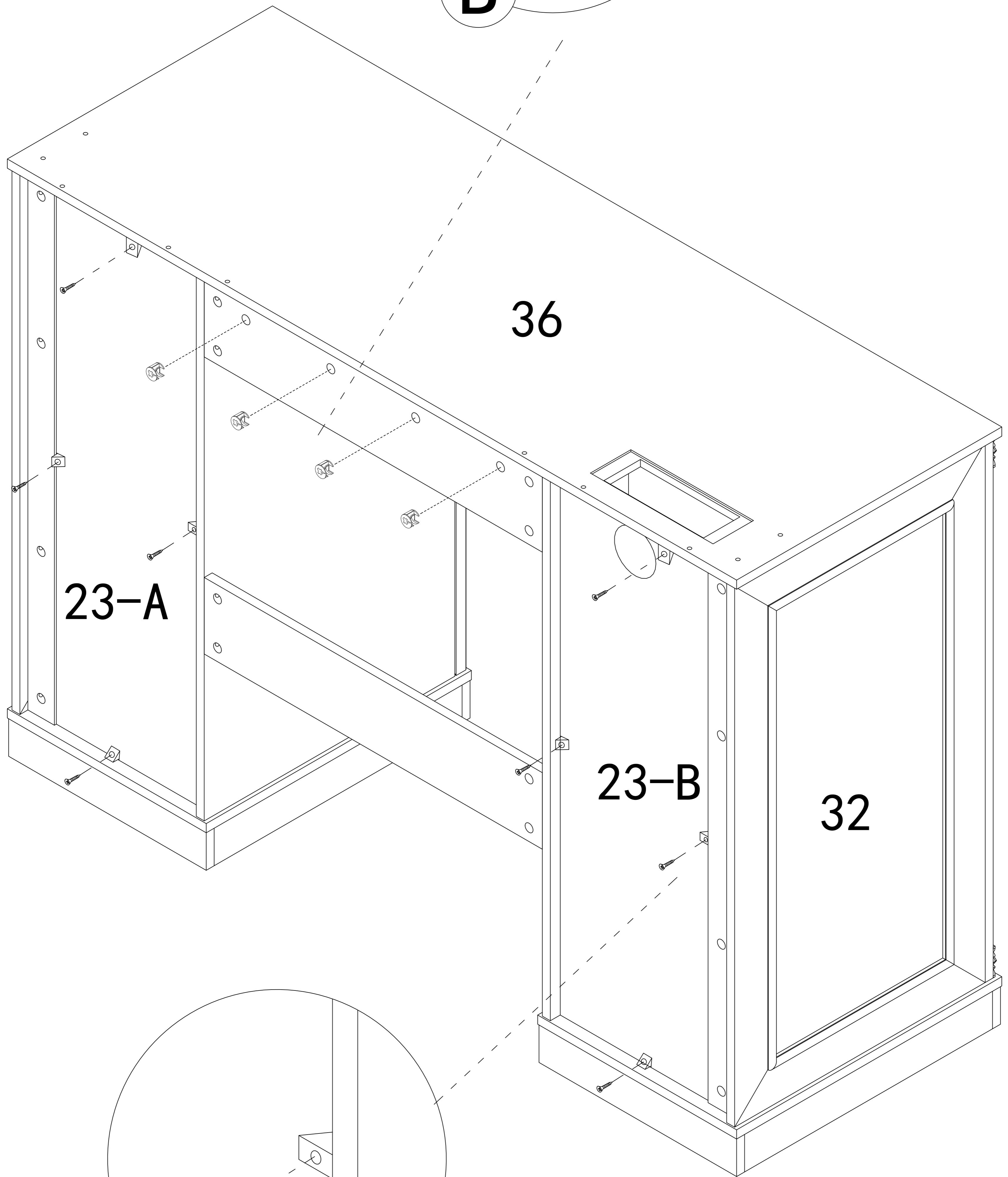
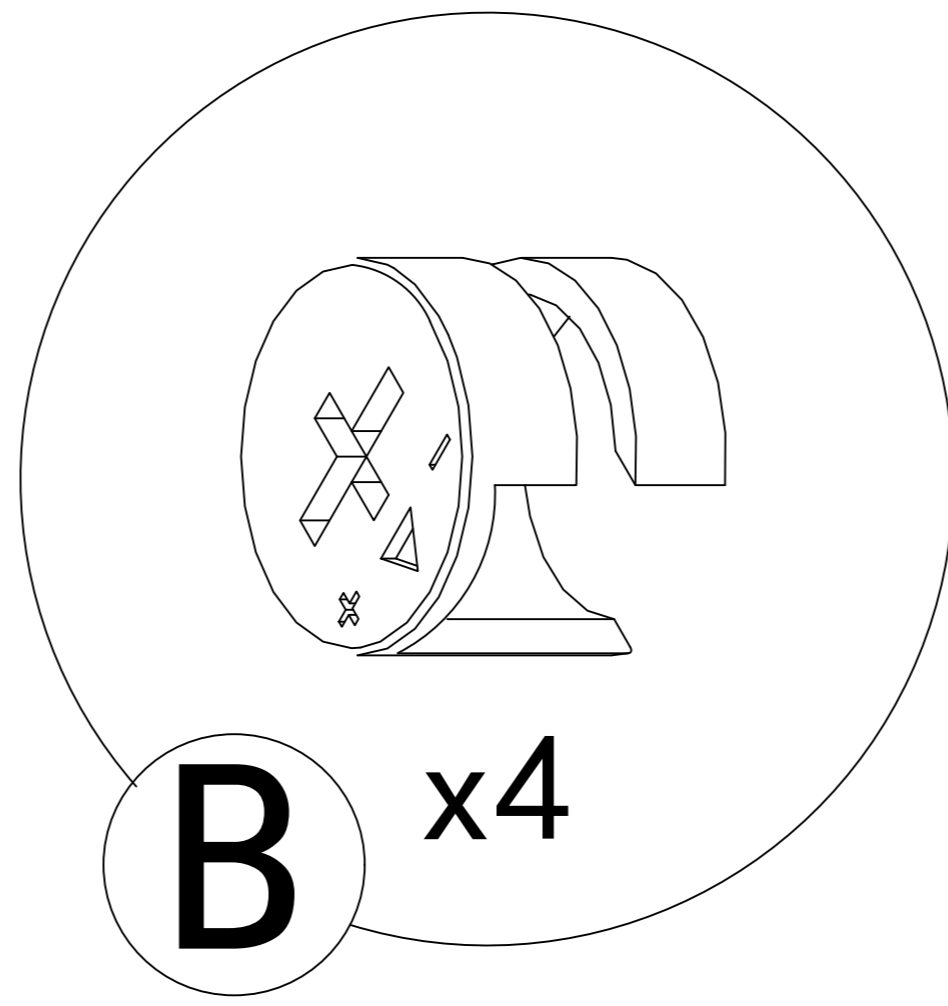


x8

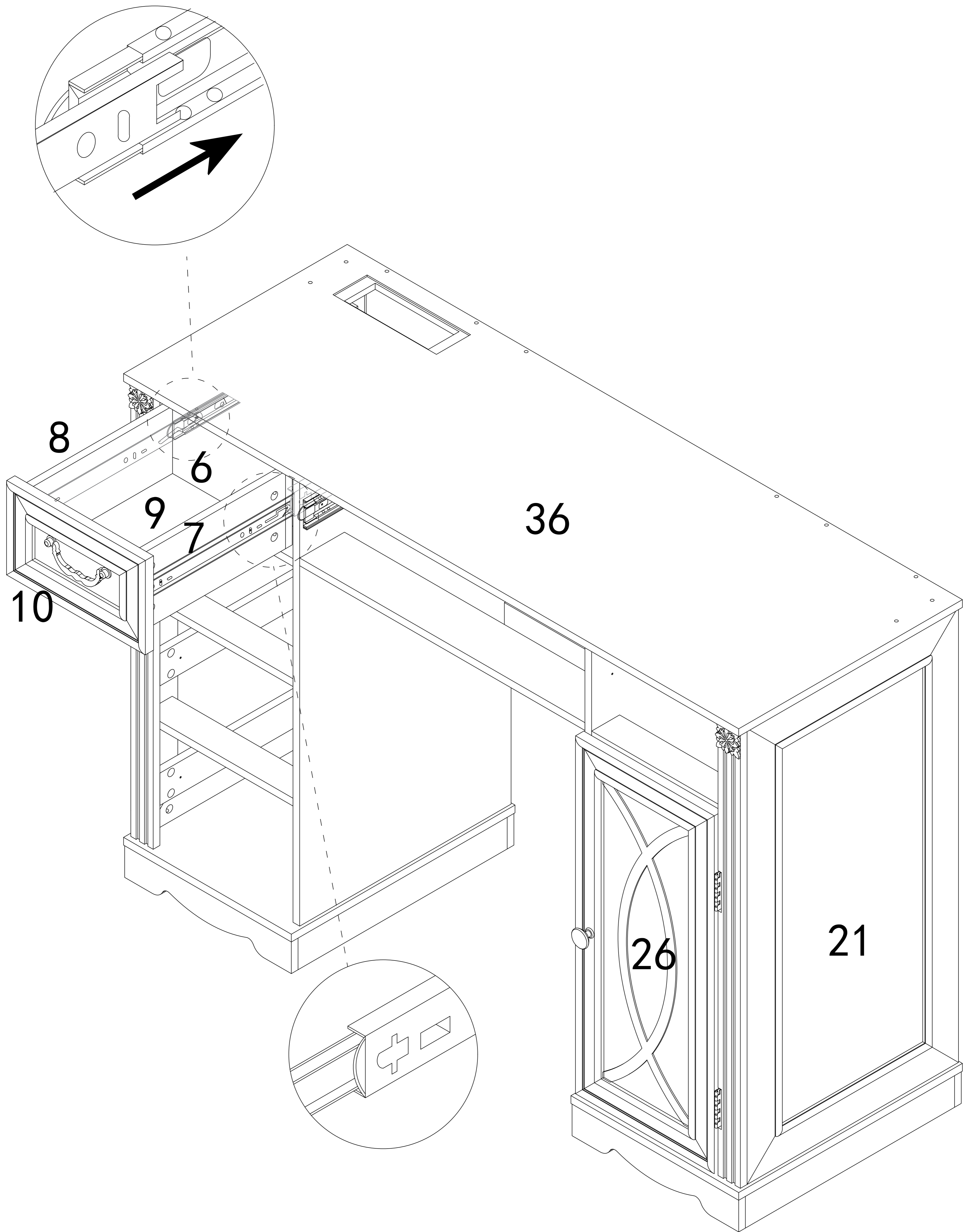


Step 75

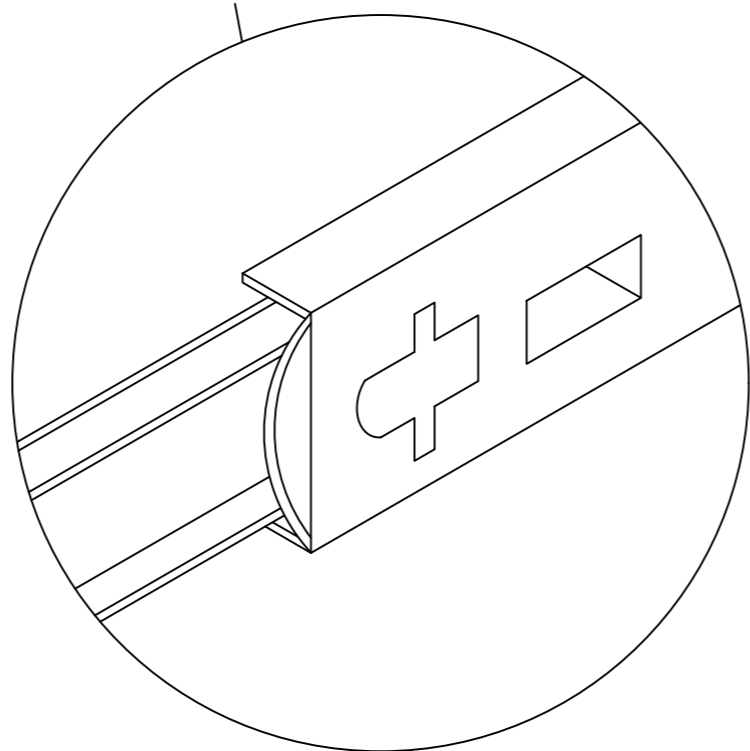
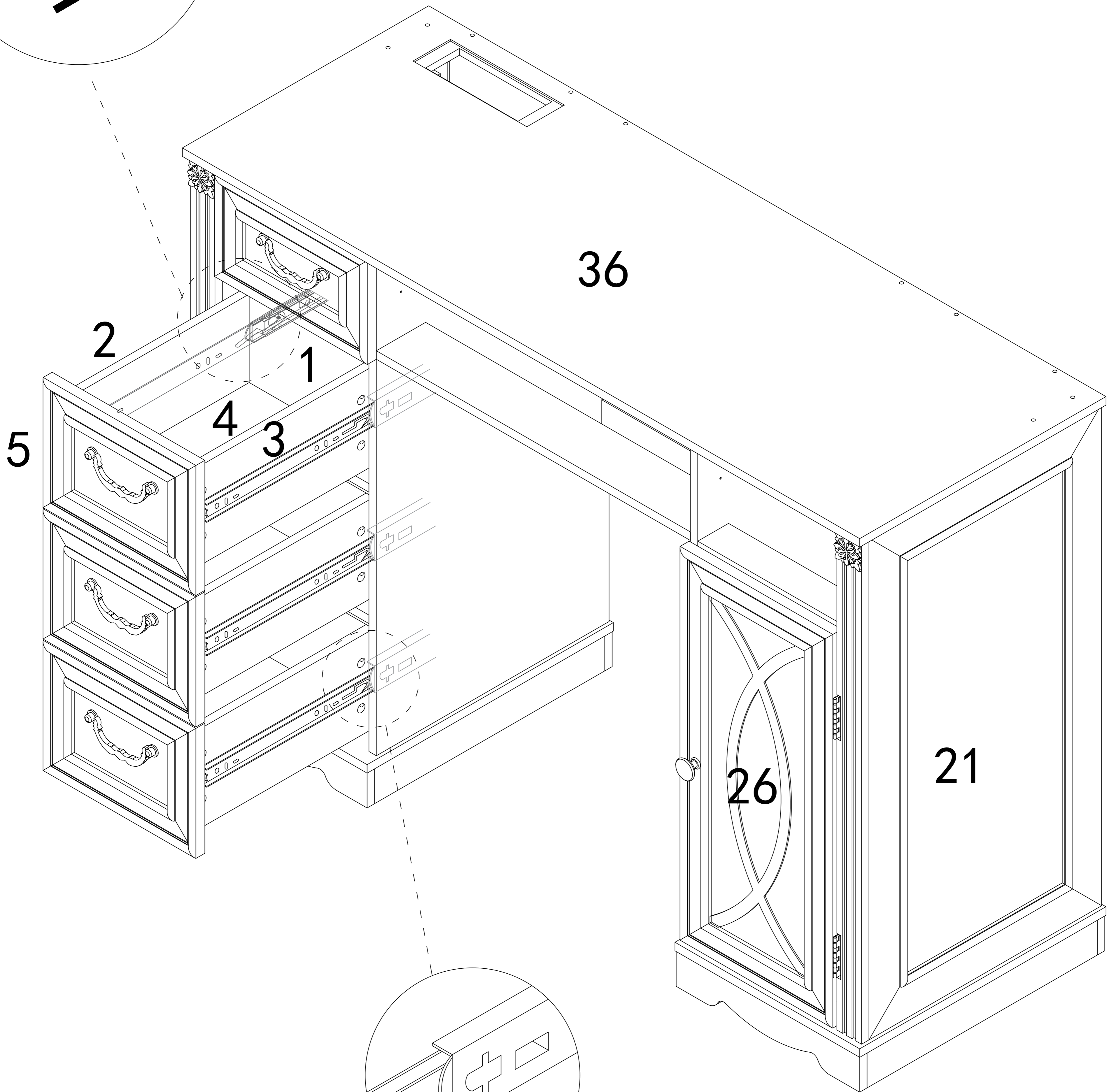
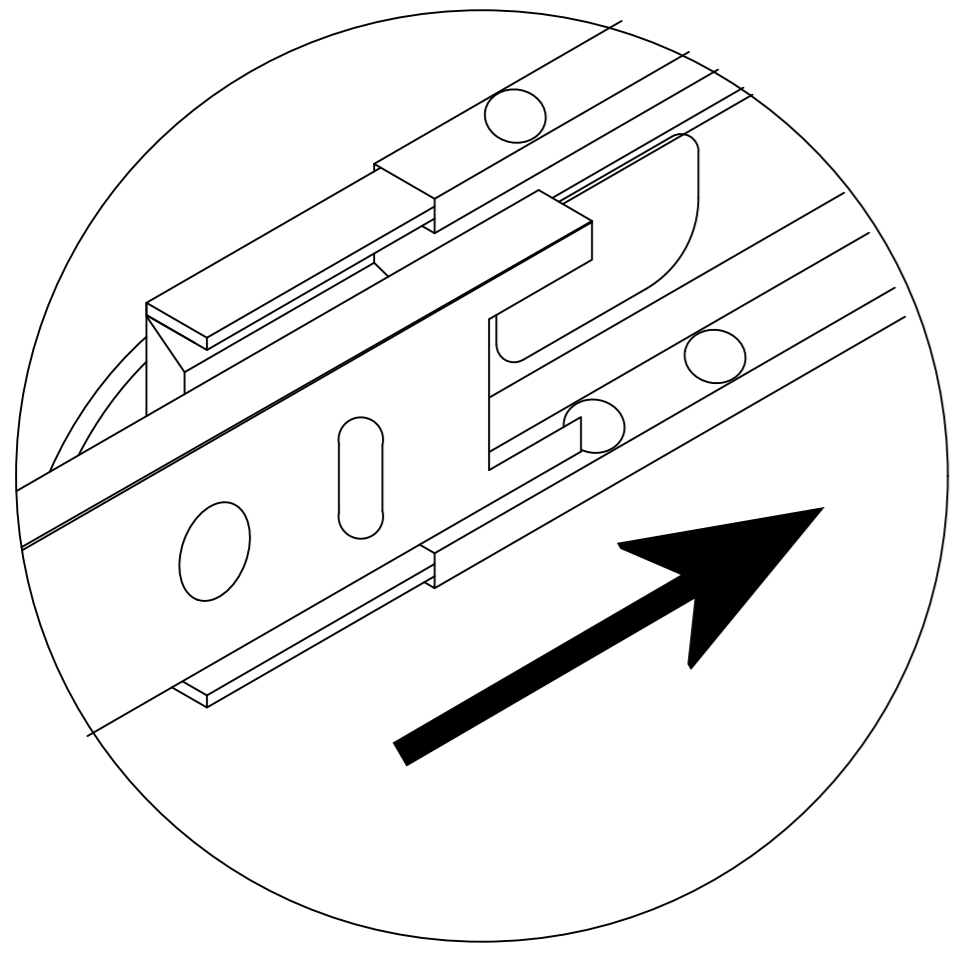
B		x4
H		x8



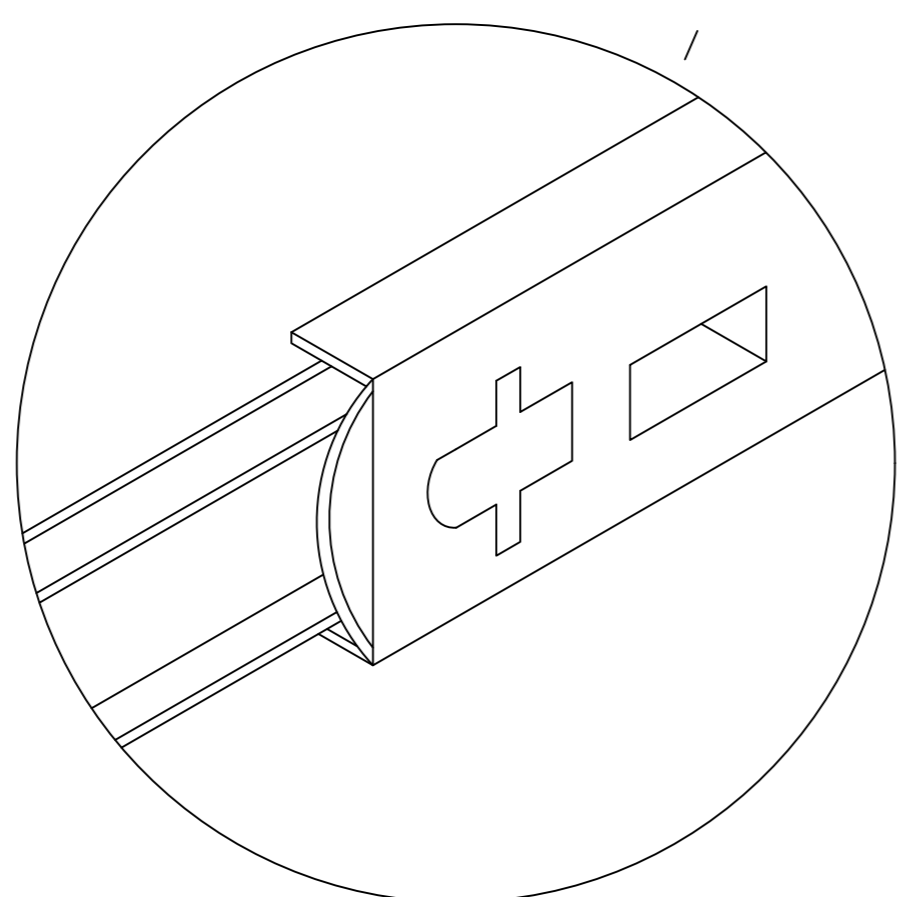
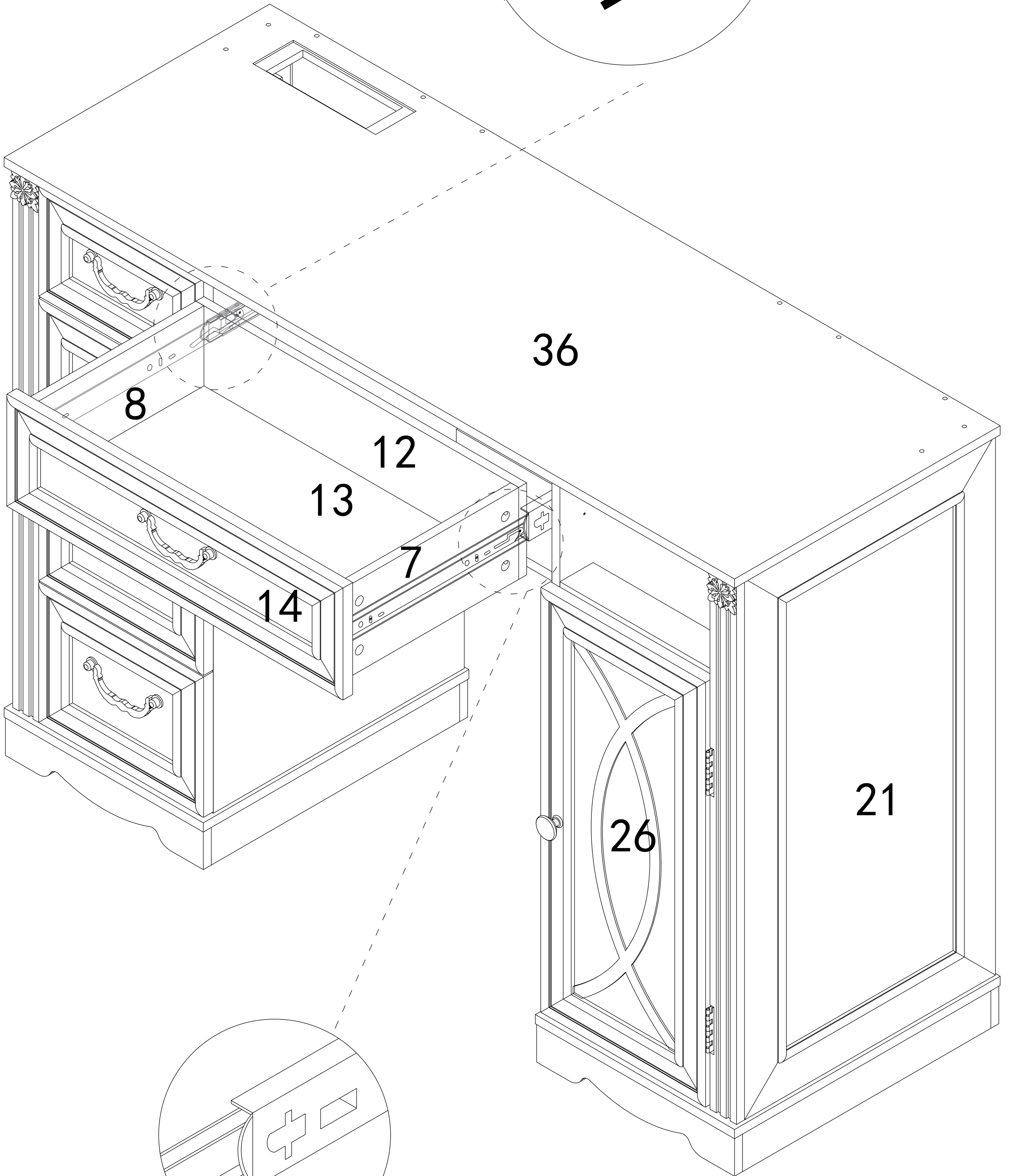
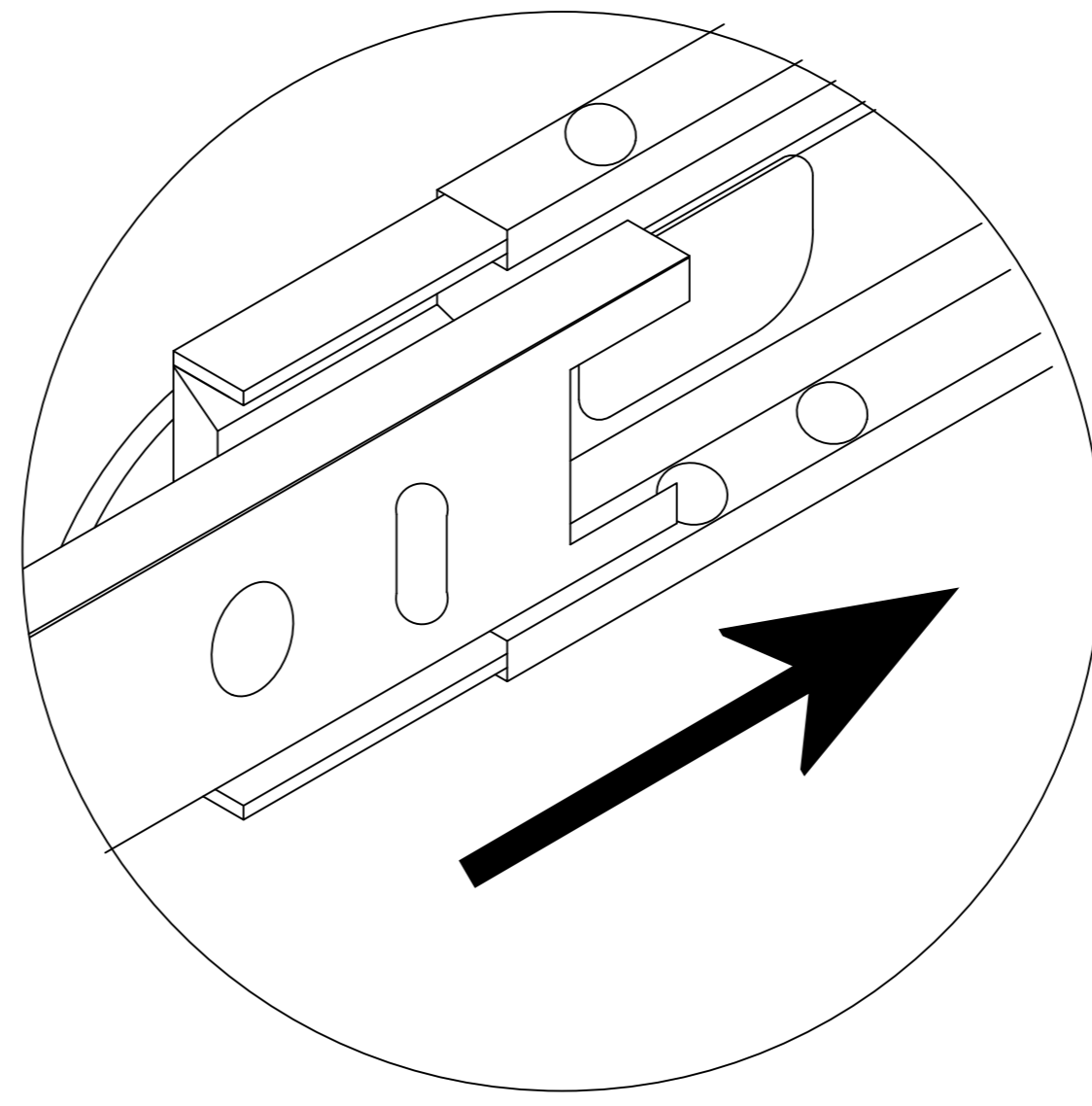
Step 75



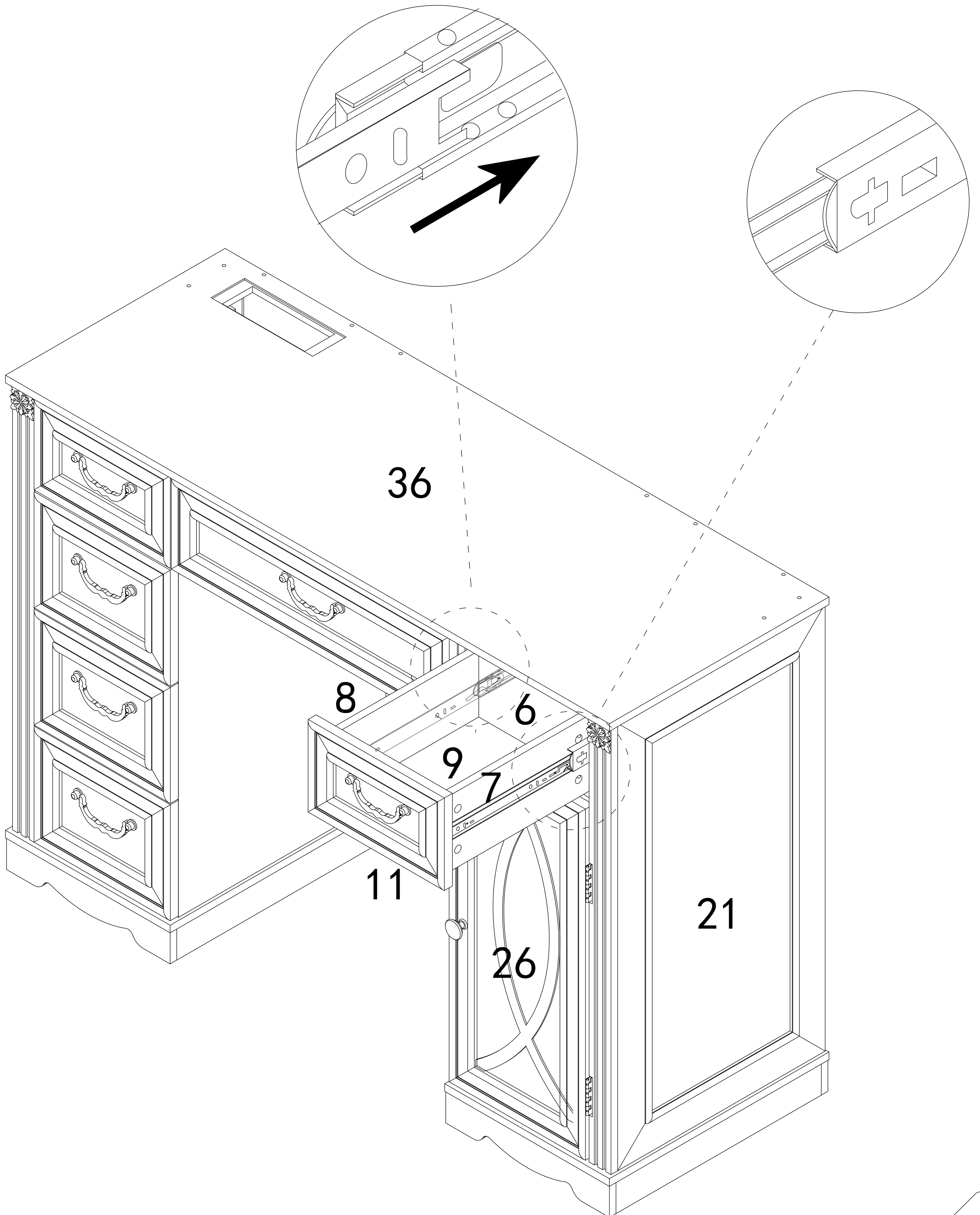
Step 76



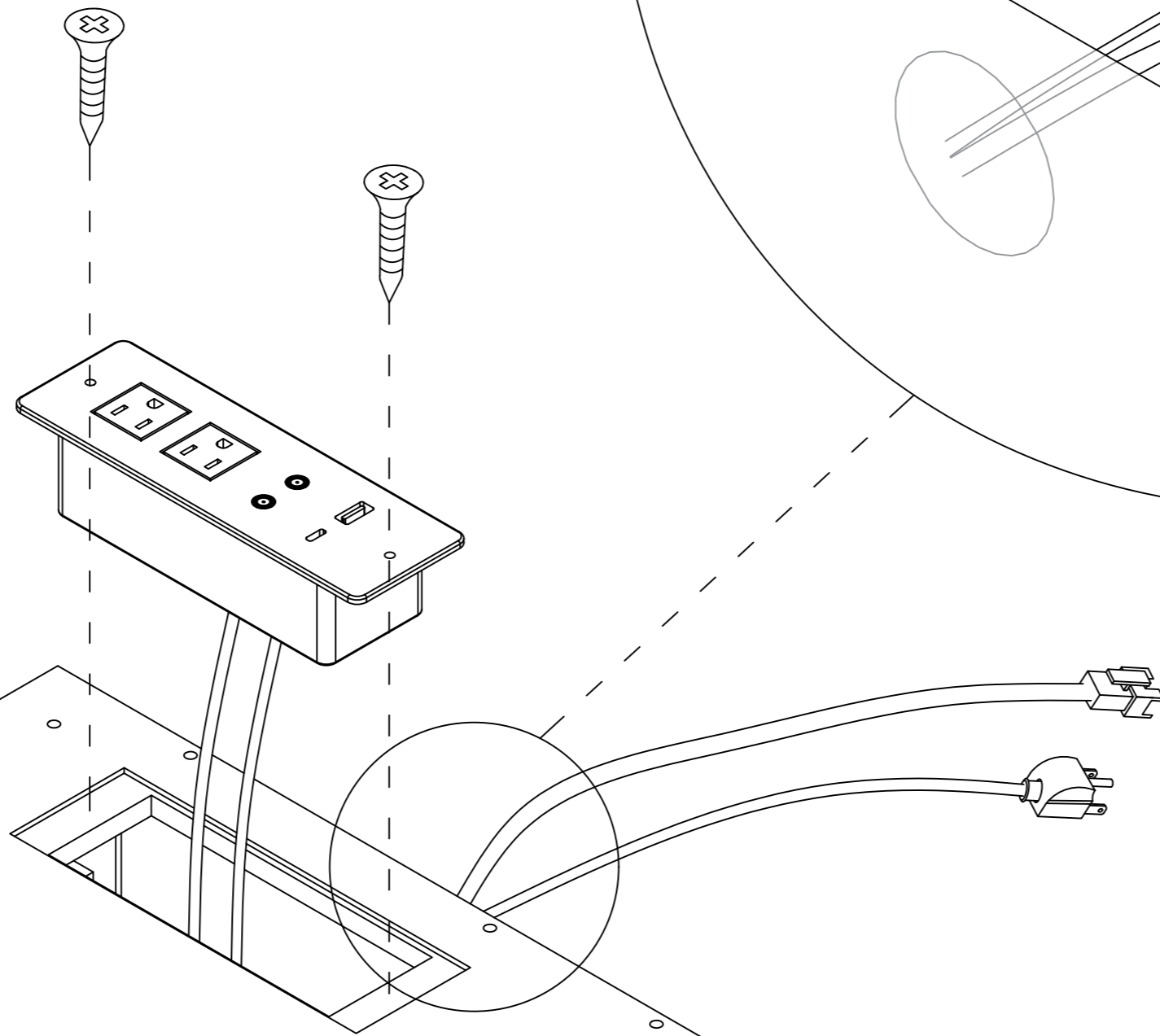
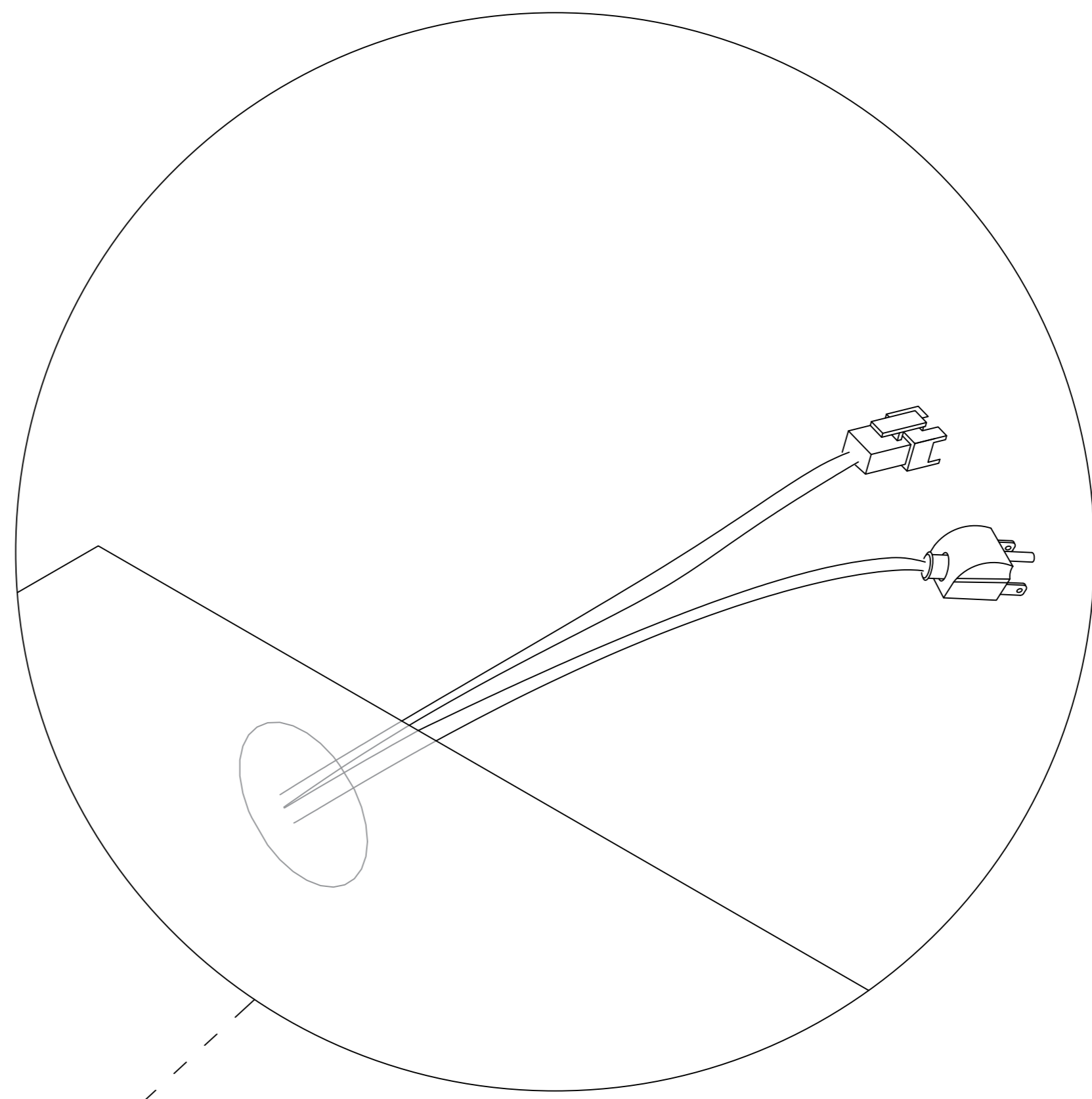
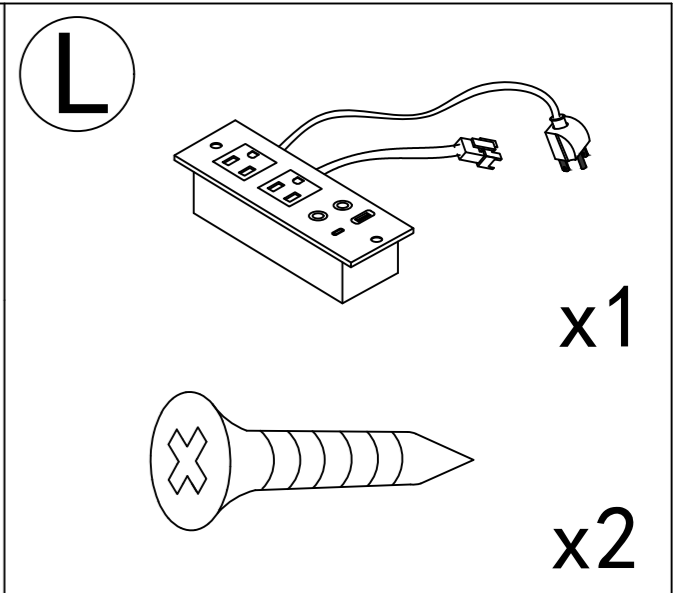
Step 77



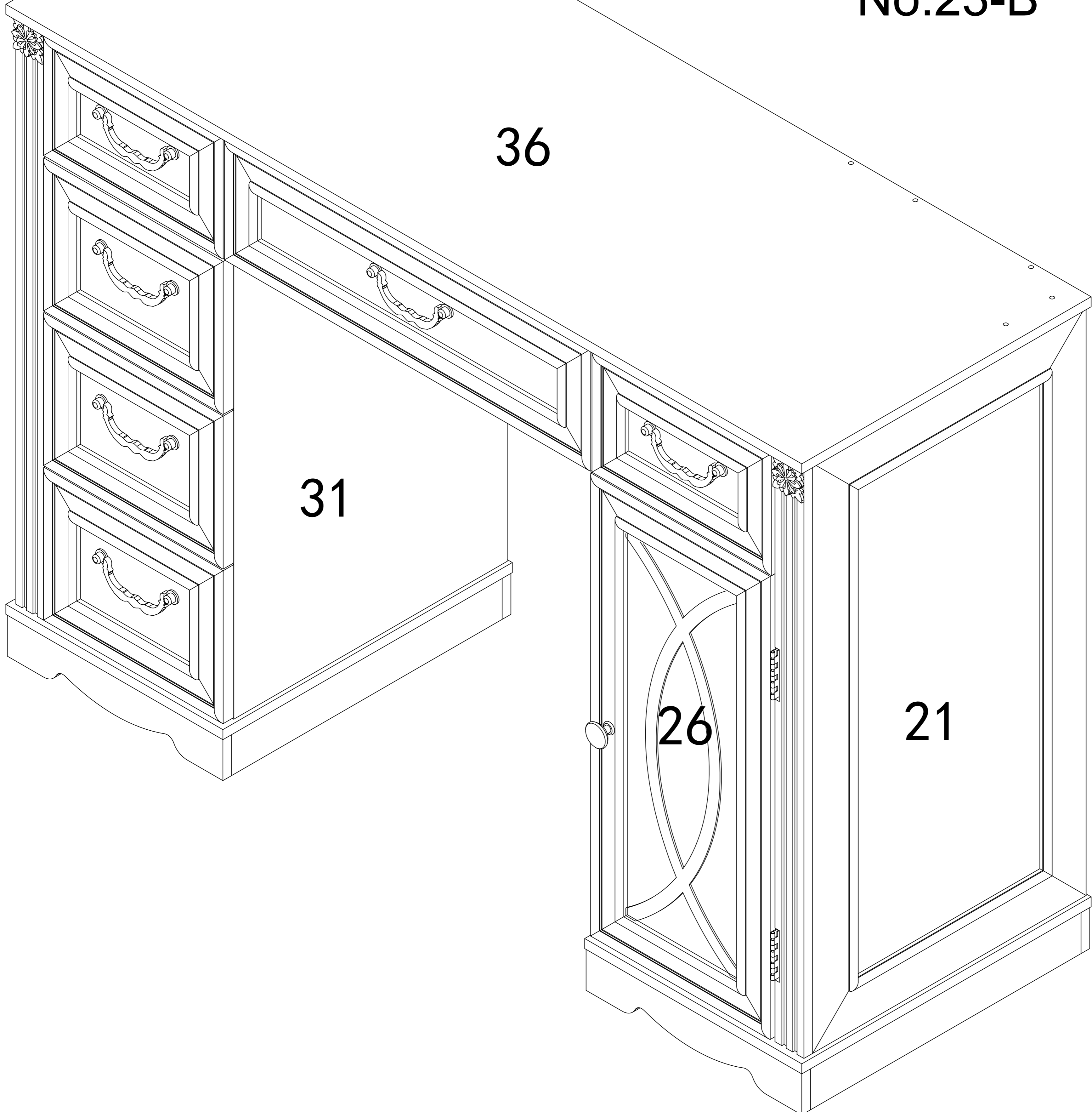
Step 78



Step 79

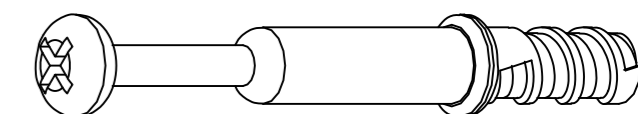


Thread the Lamp power cord through the hole on board No.23-B

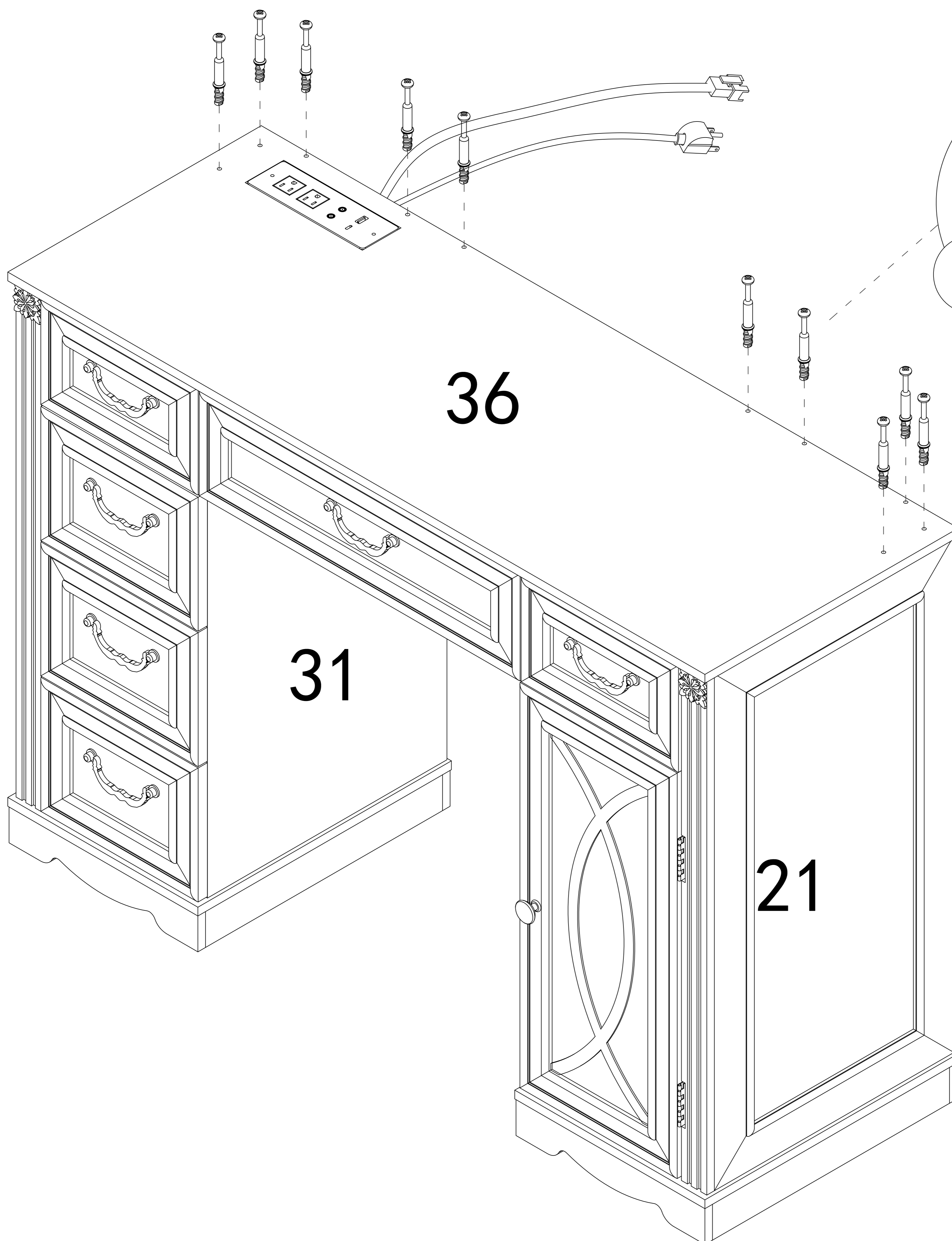


Step 80

A



x10

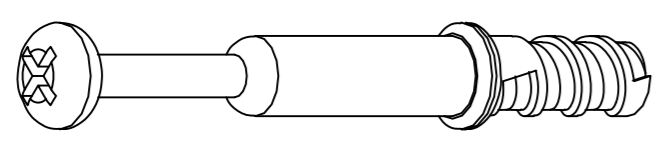
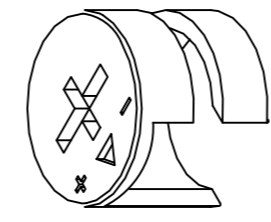
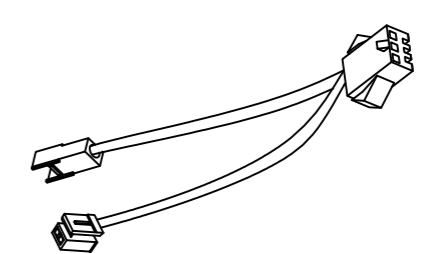
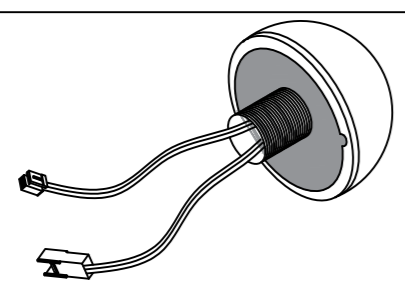
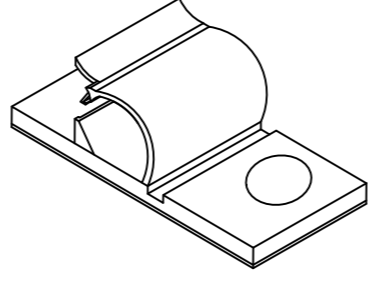
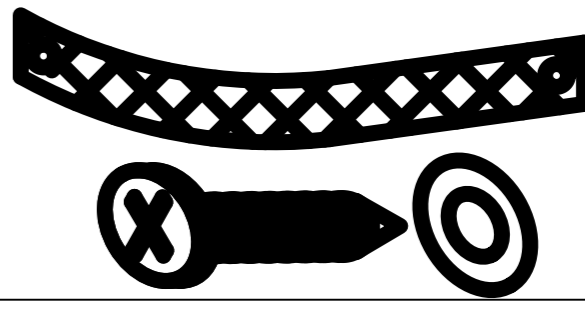
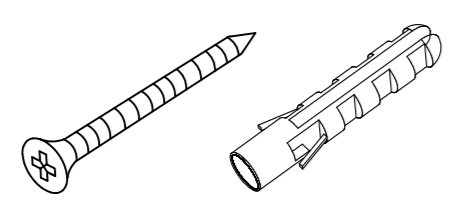


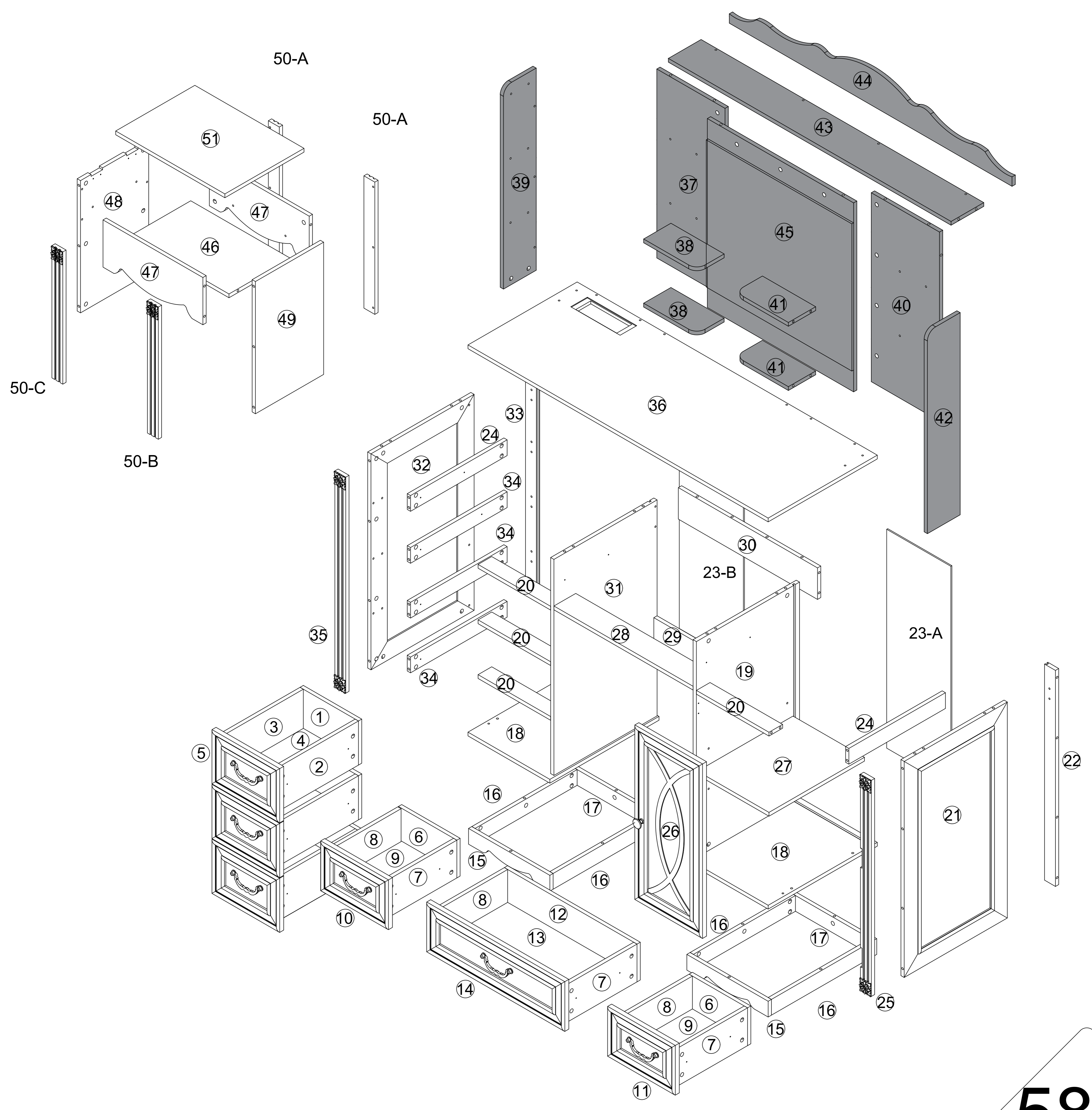
36

31

21

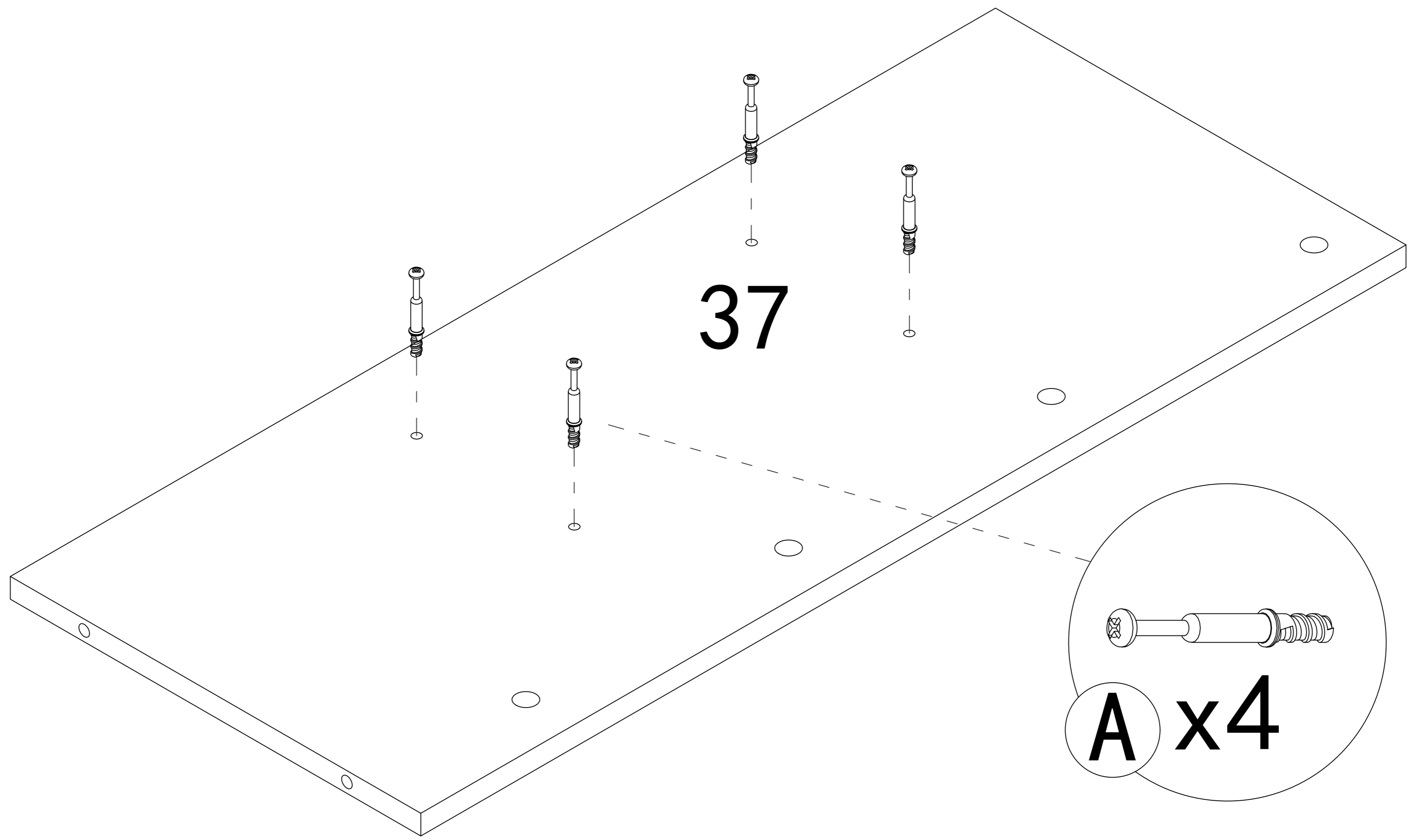
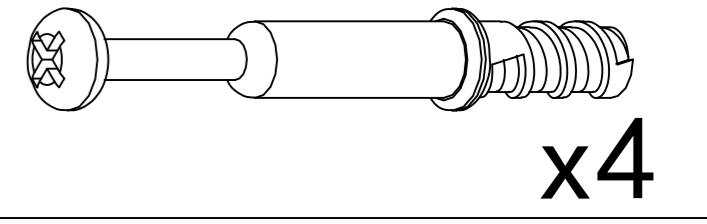
A x10

A		36pcs	B		46pcs	M		1pcs
M		11pcs	N		10pcs	P		1pcs
Q		1pcs						



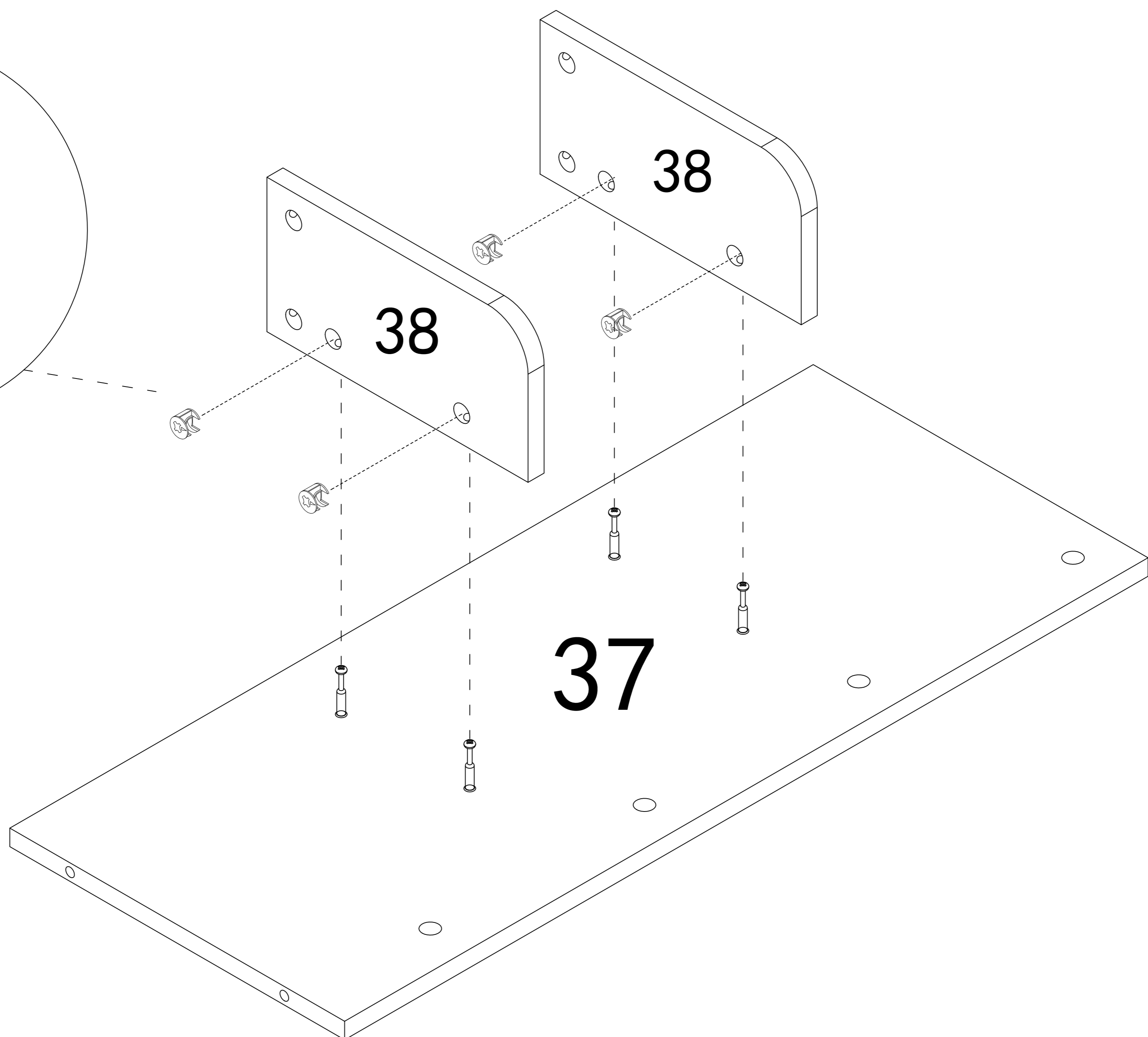
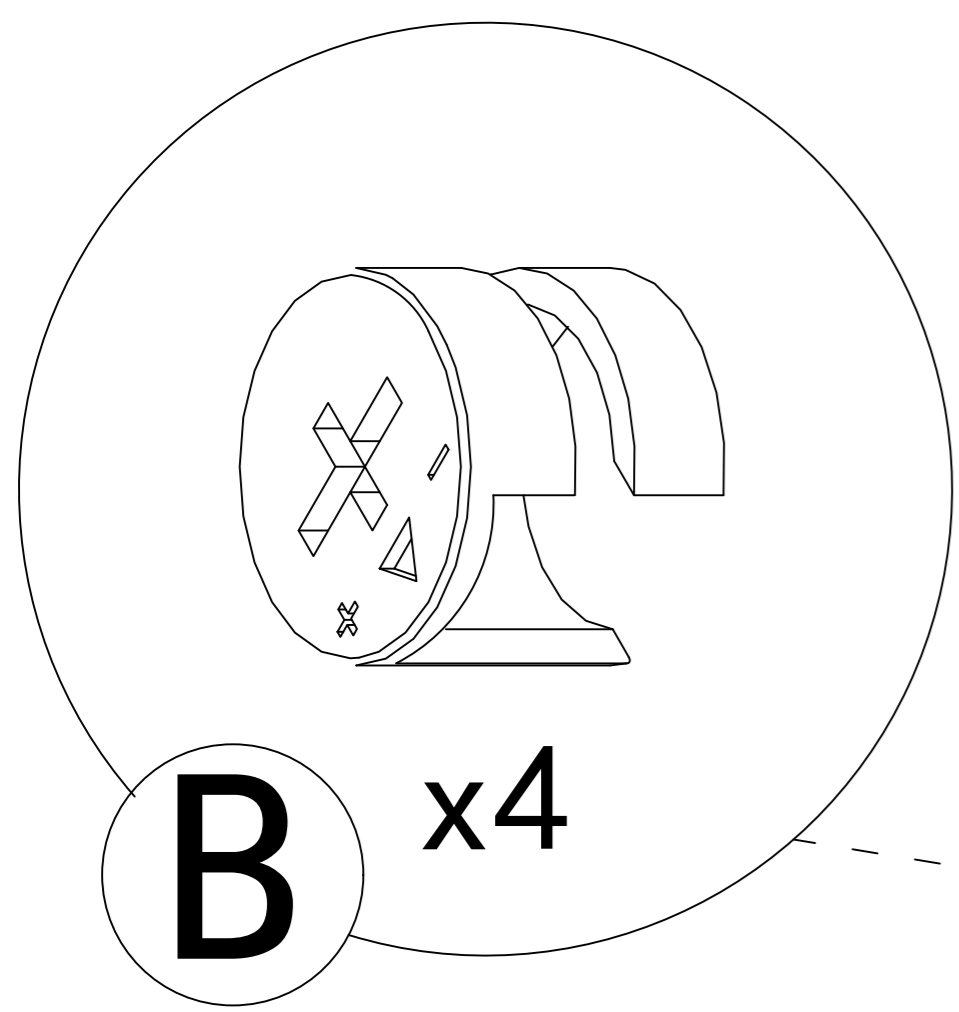
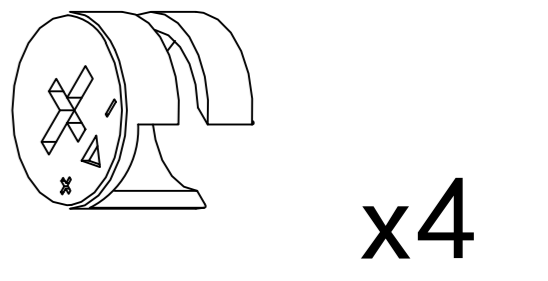
Step 81

A



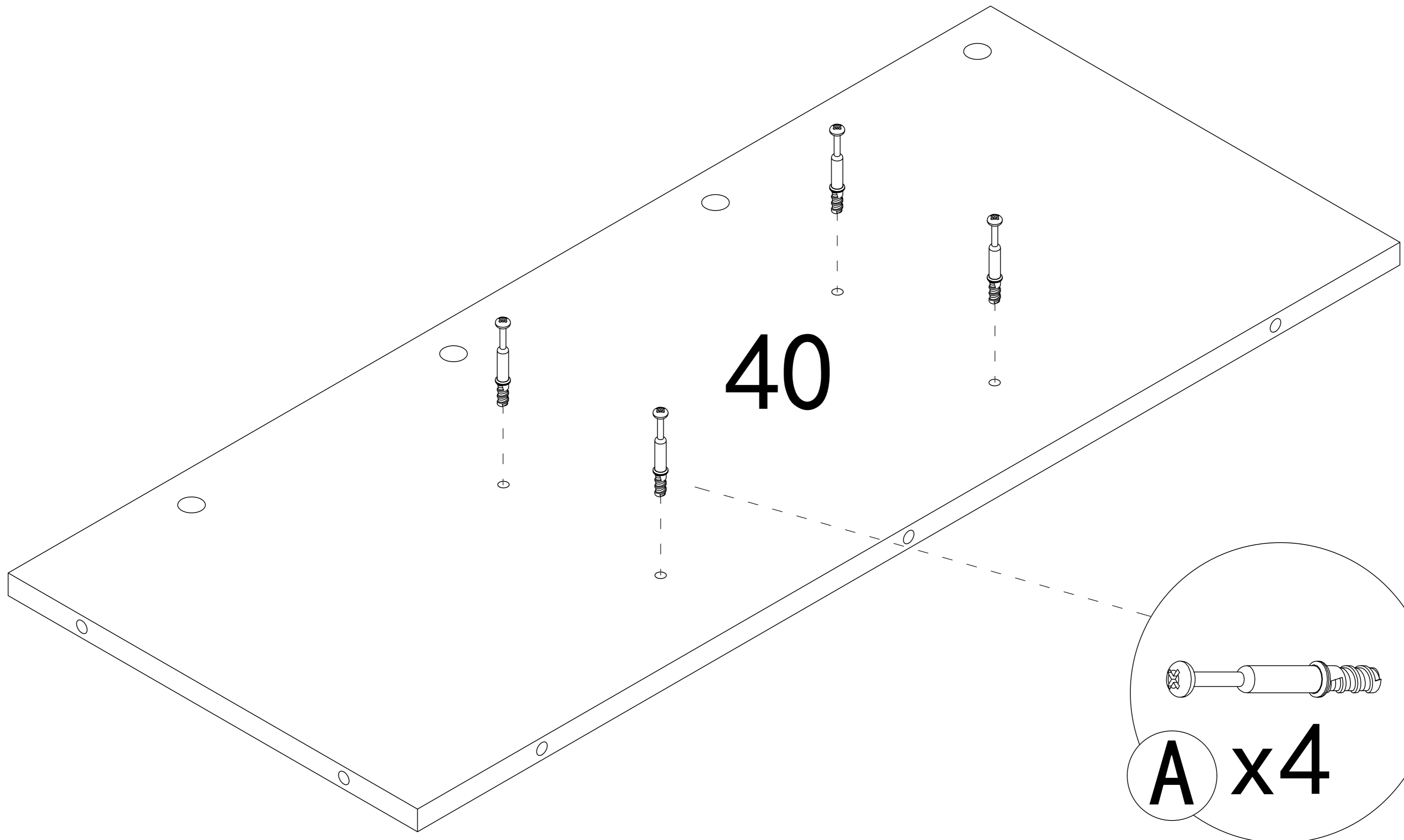
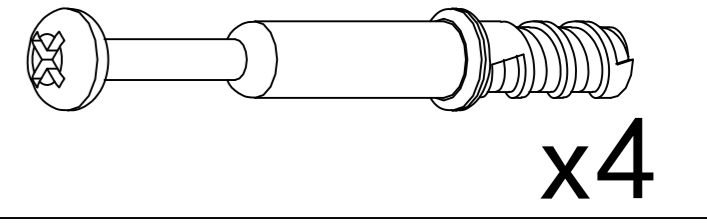
Step 82

B



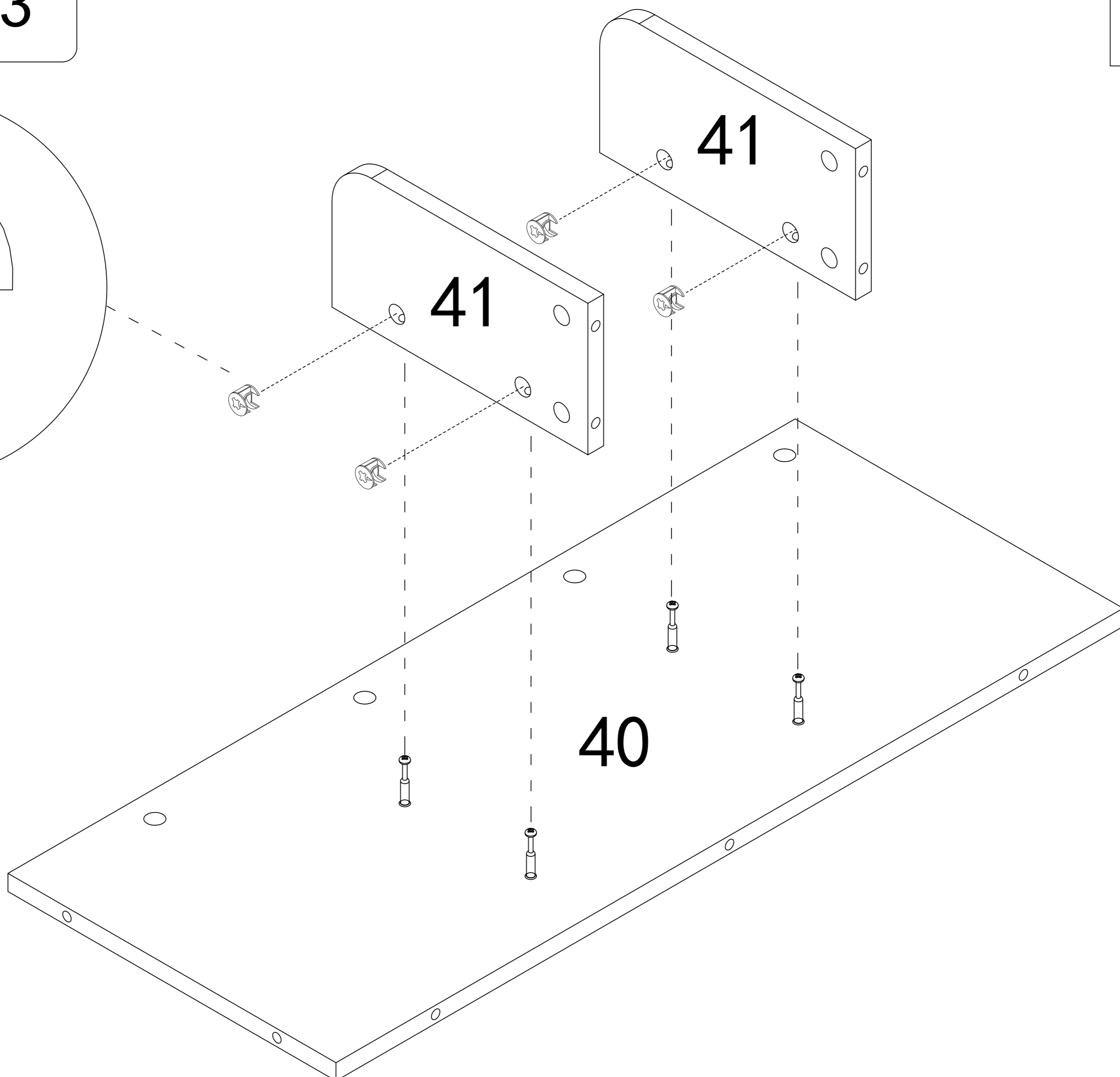
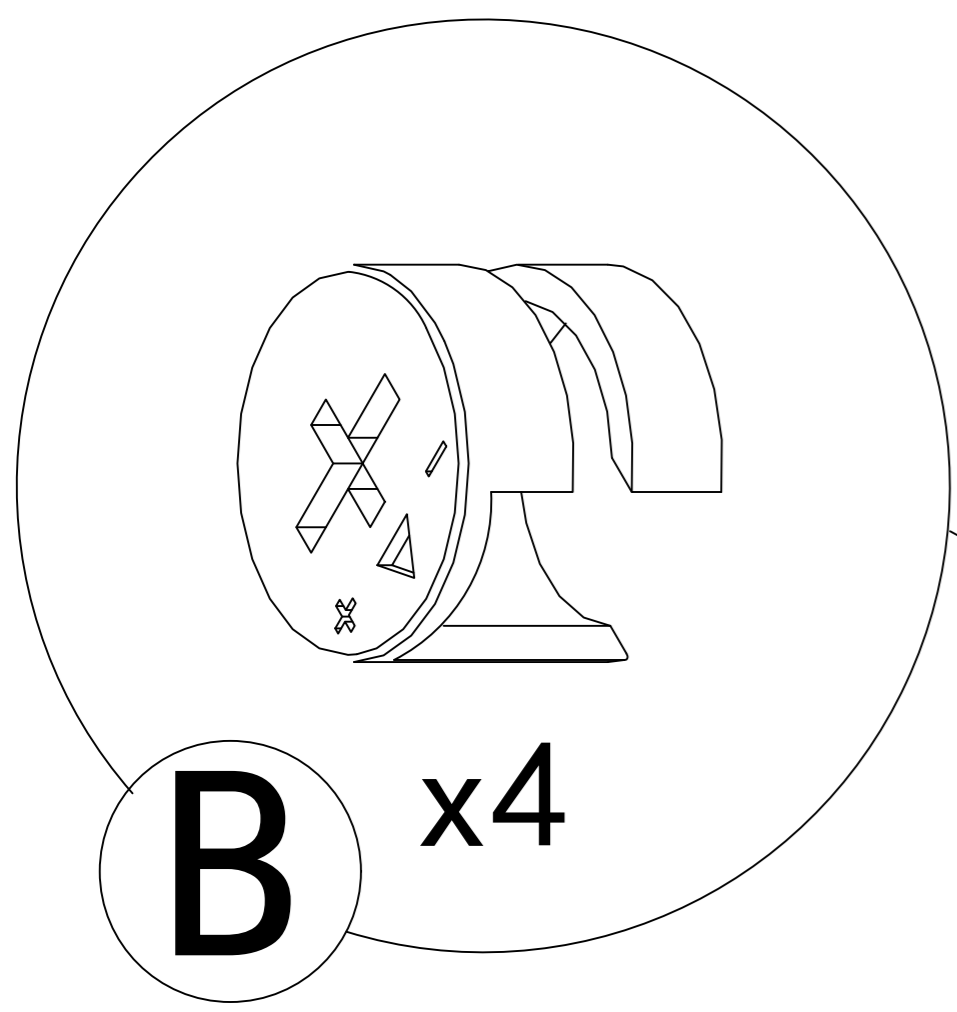
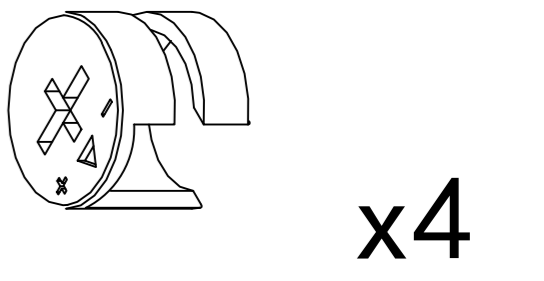
Step 83

A



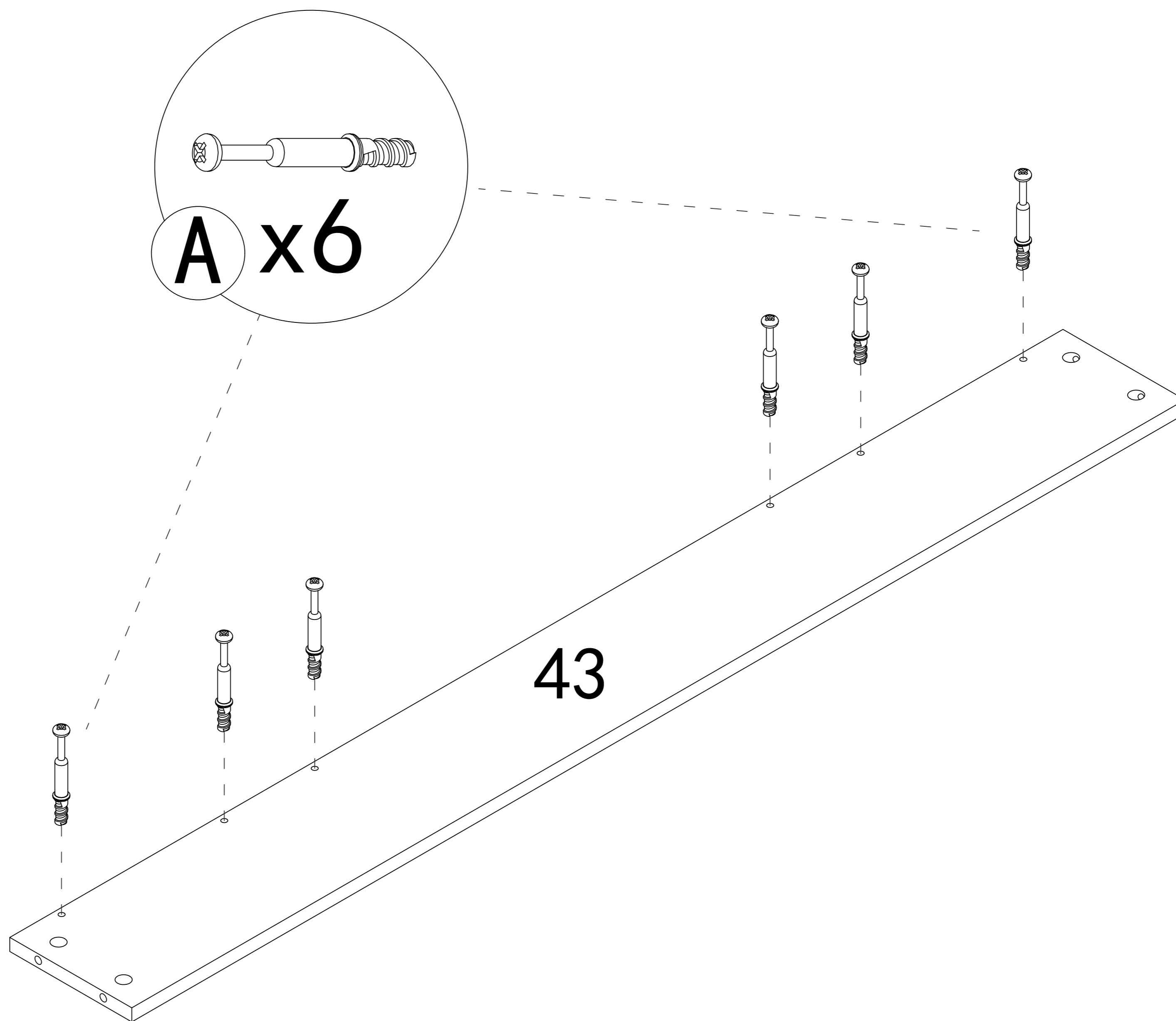
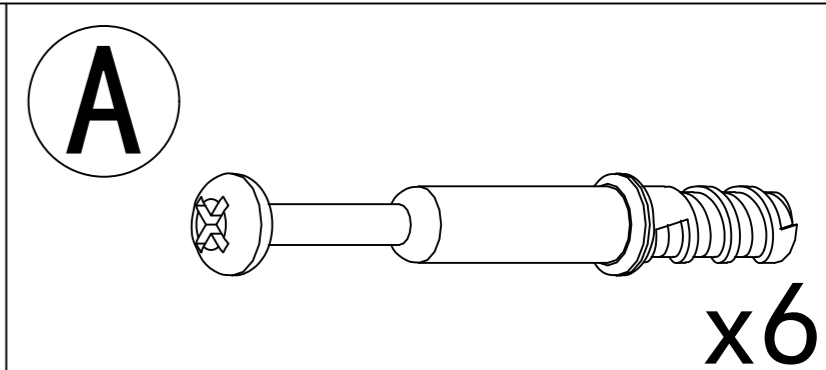
Step 83

B

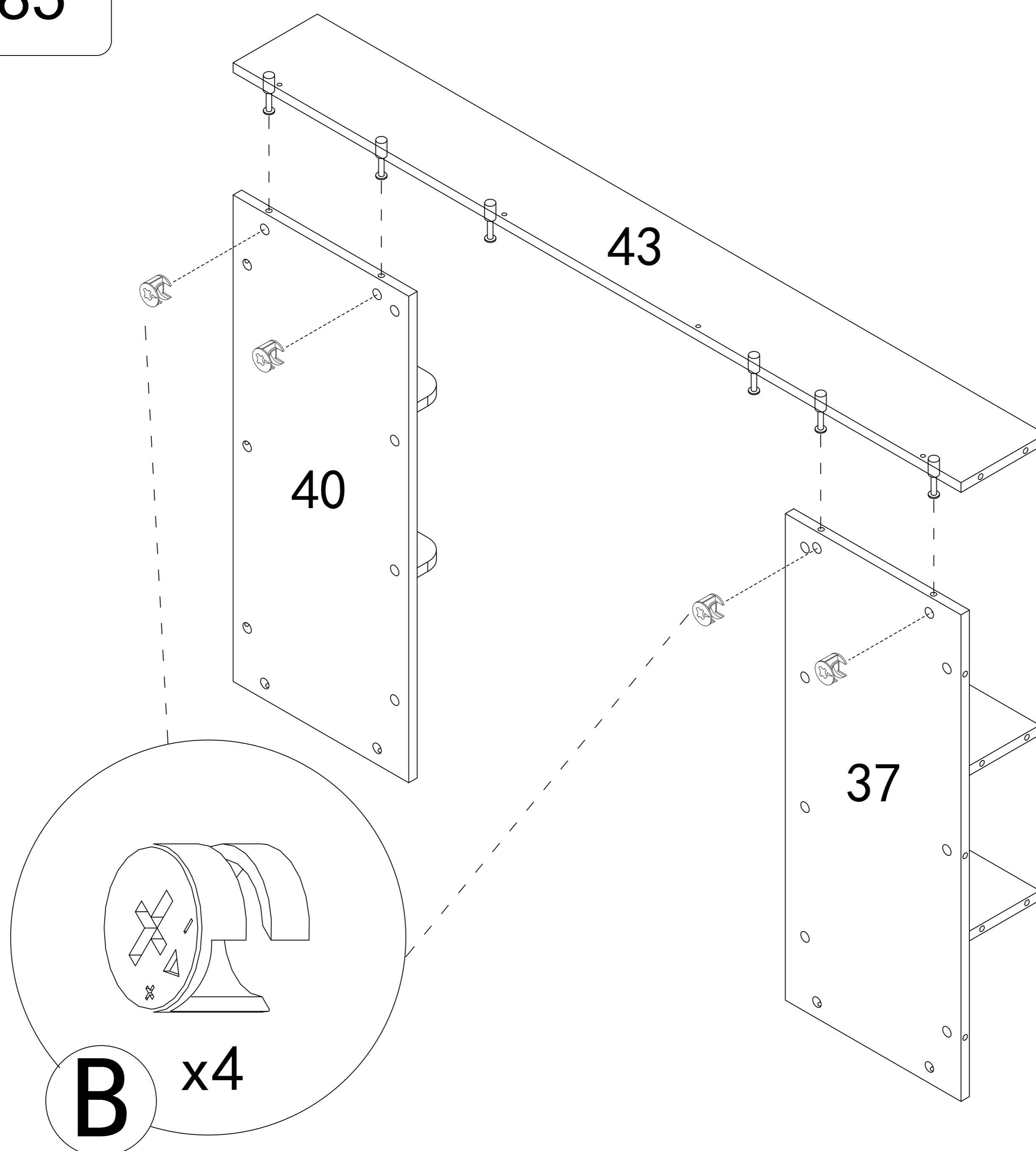
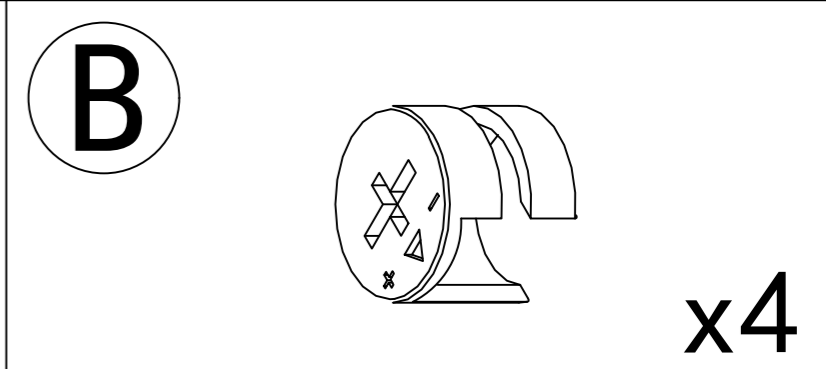


60

Step 84

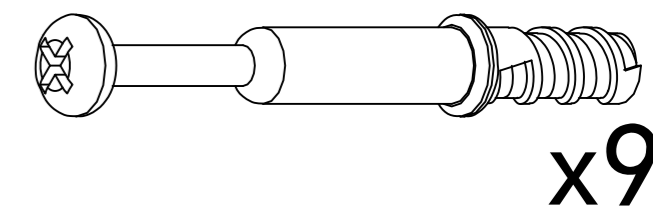


Step 85

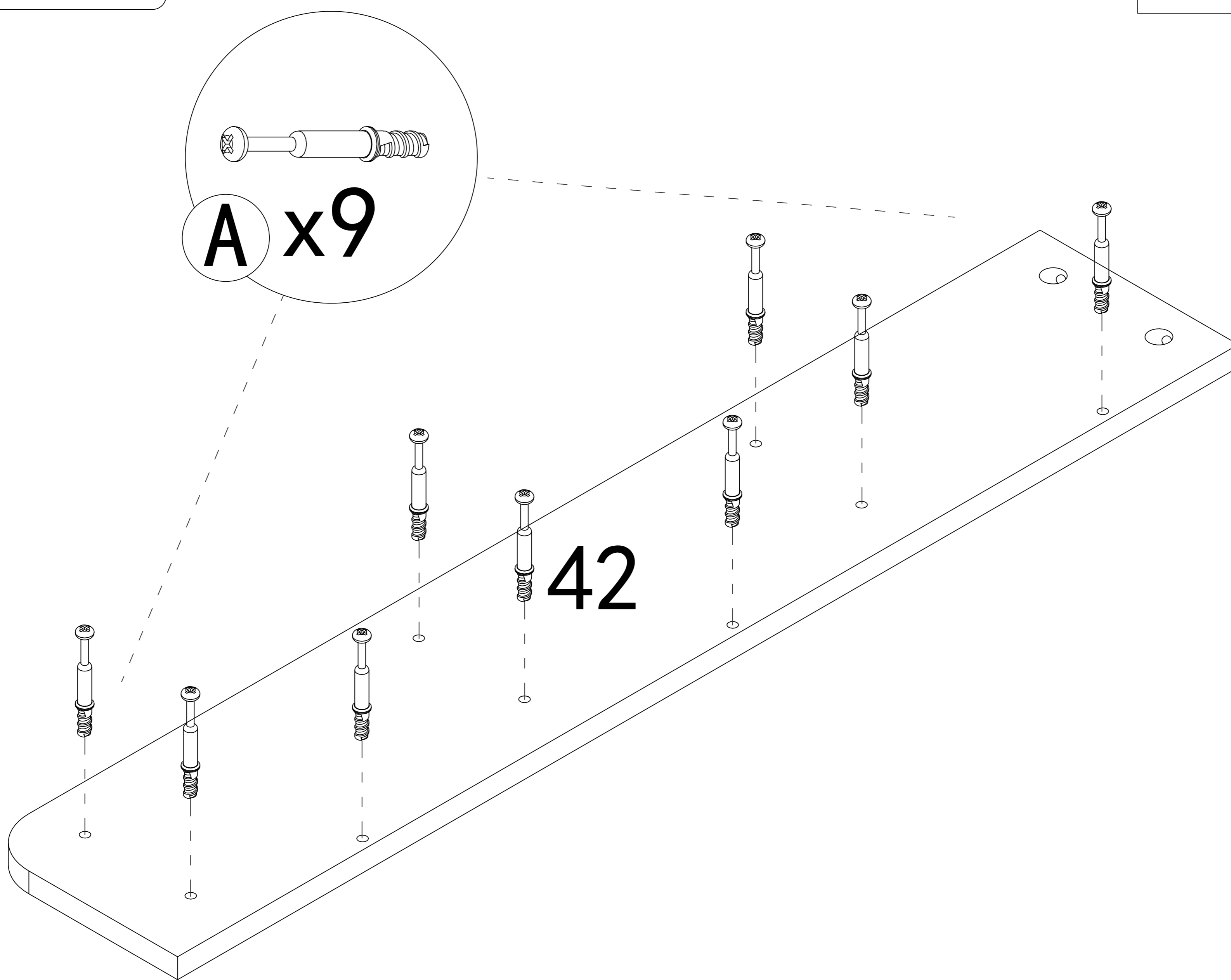


Step 86

A

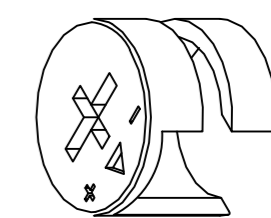


A x9



Step 87

B



42

41

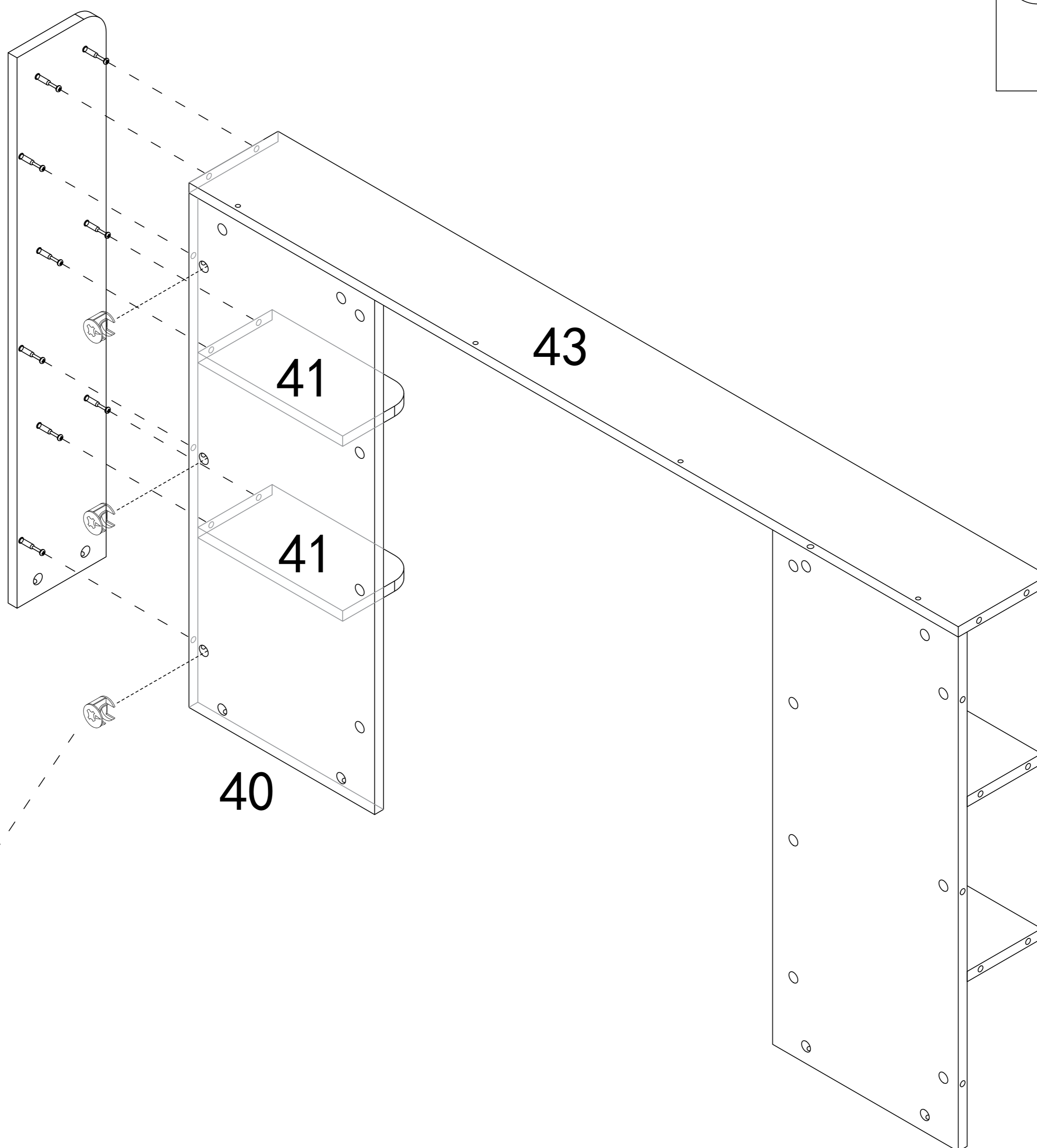
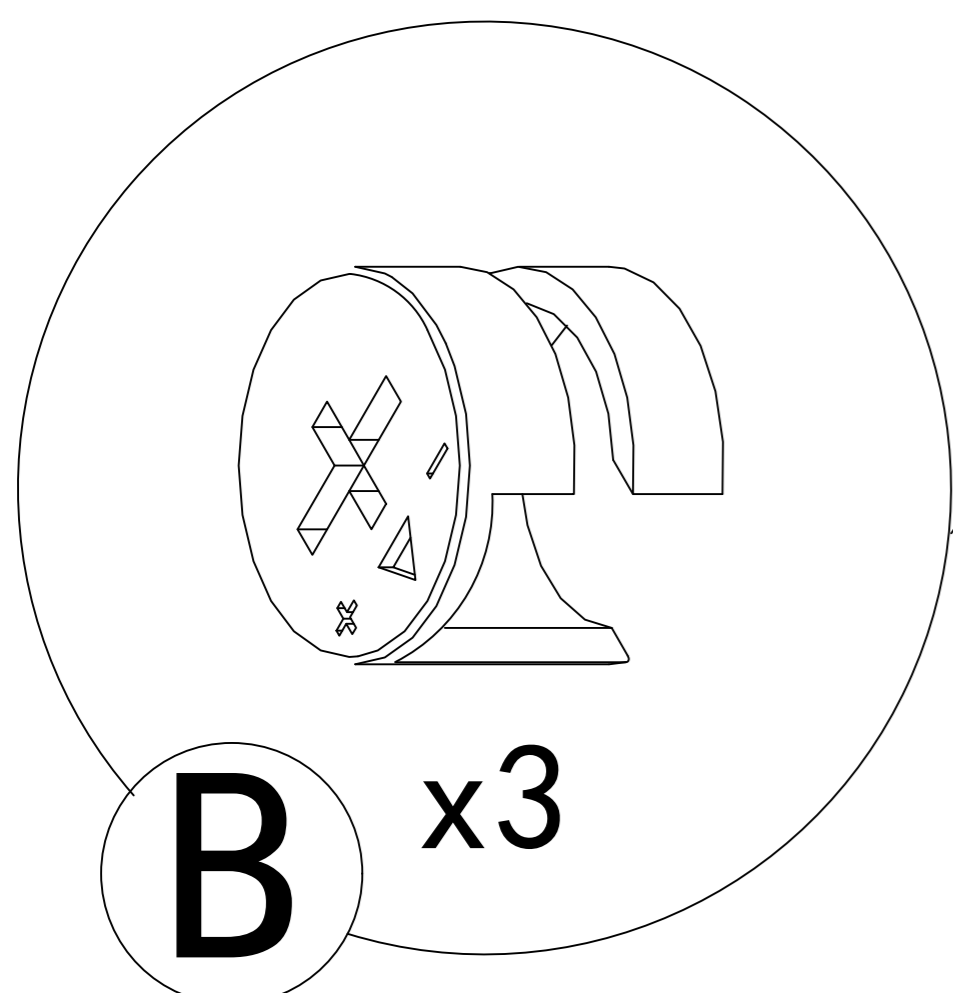
43

41

40

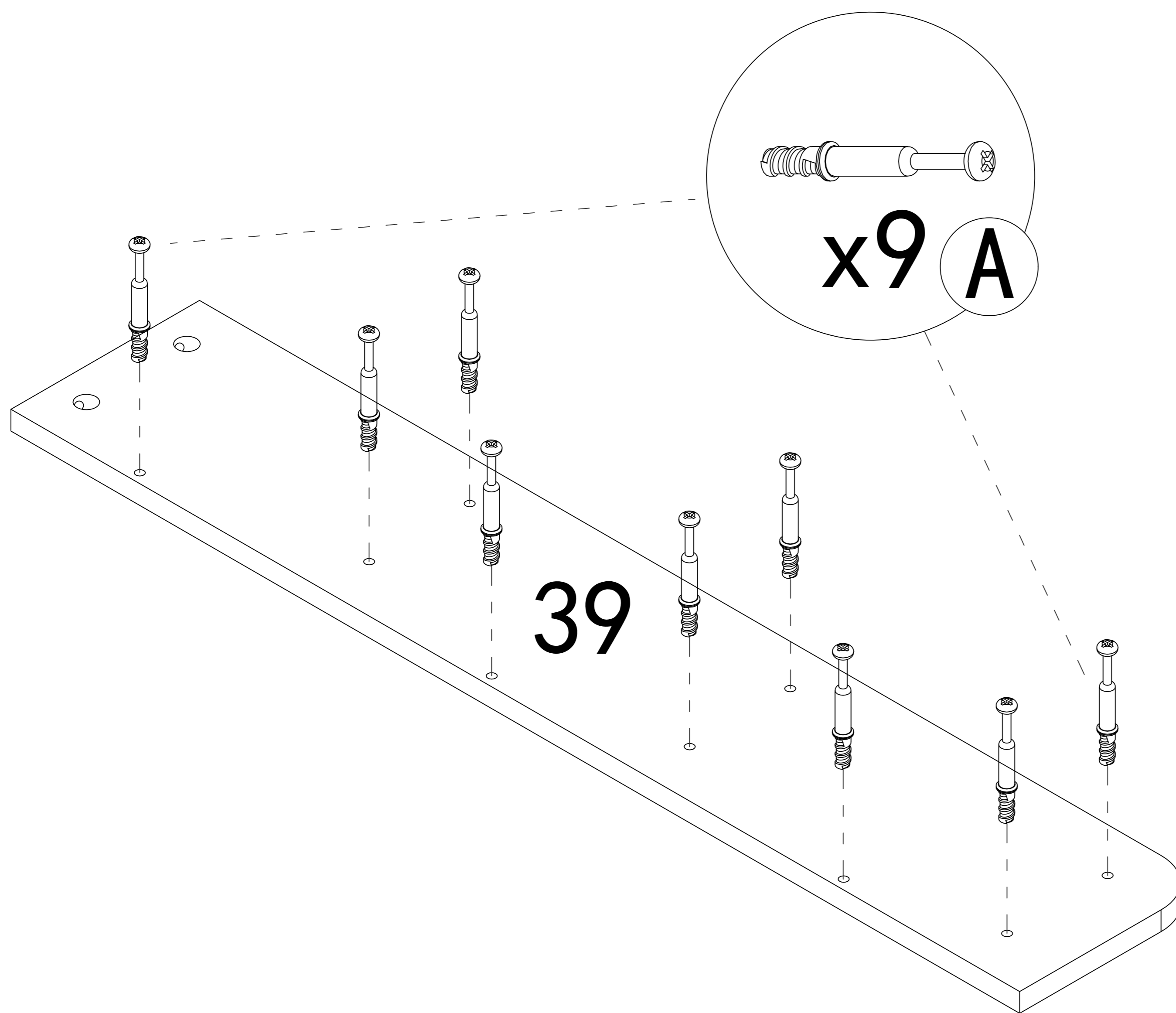
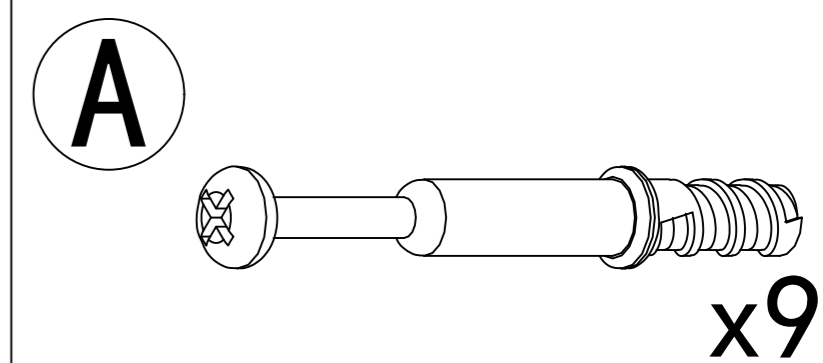
B

x3

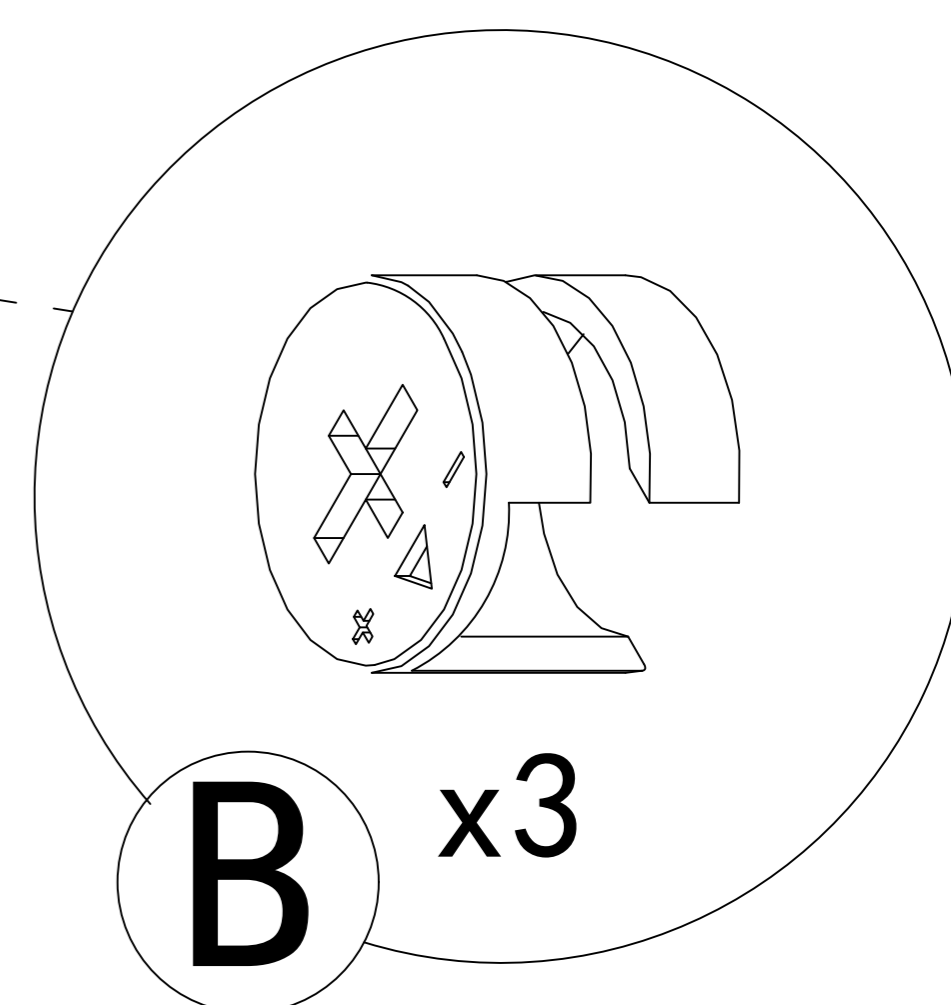
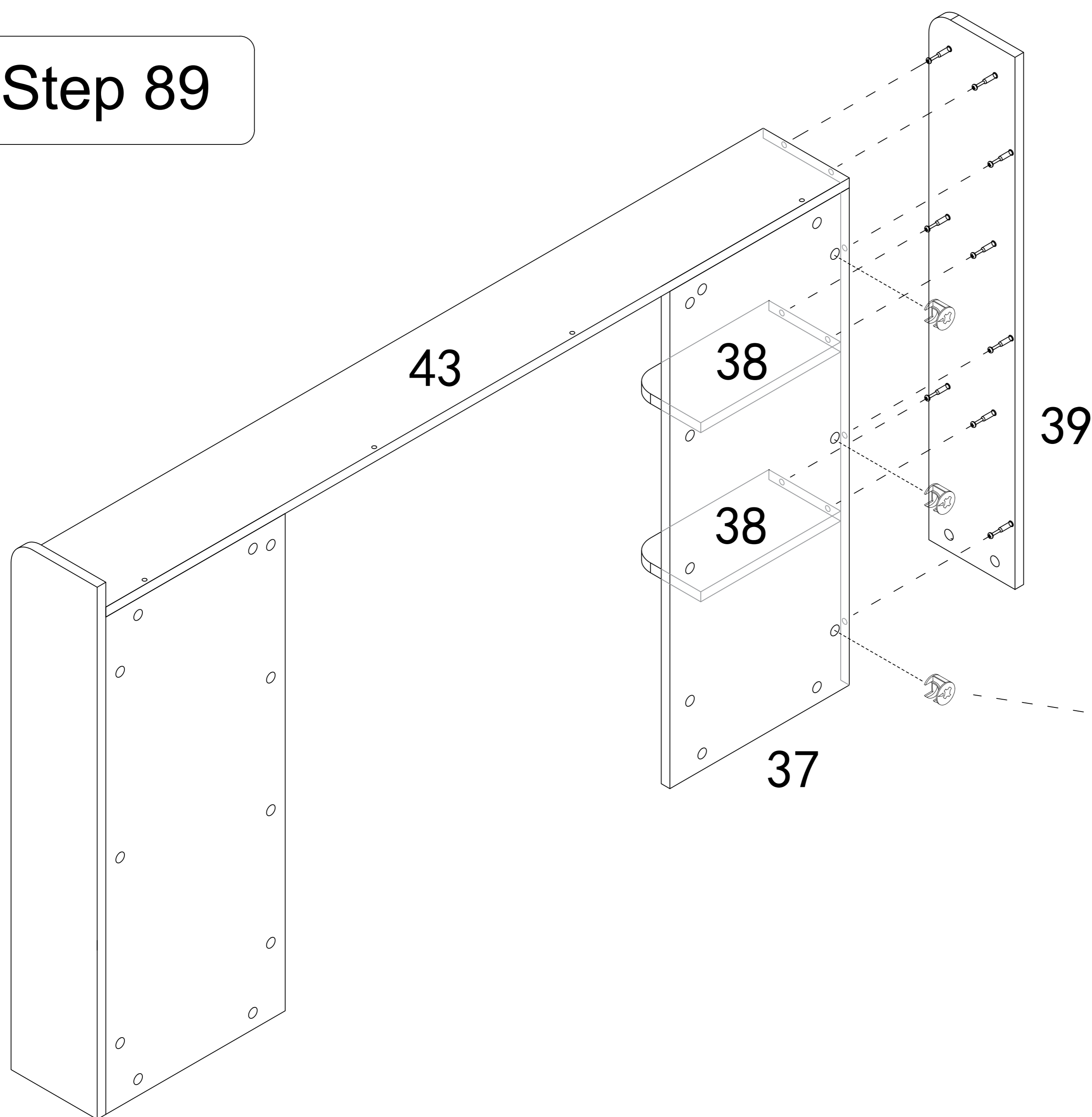
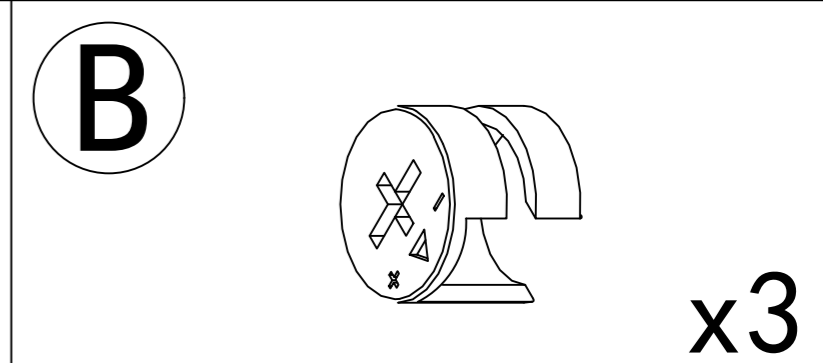


62

Step 88

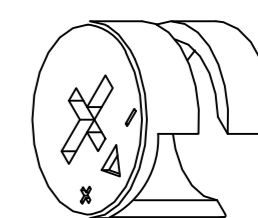


Step 89

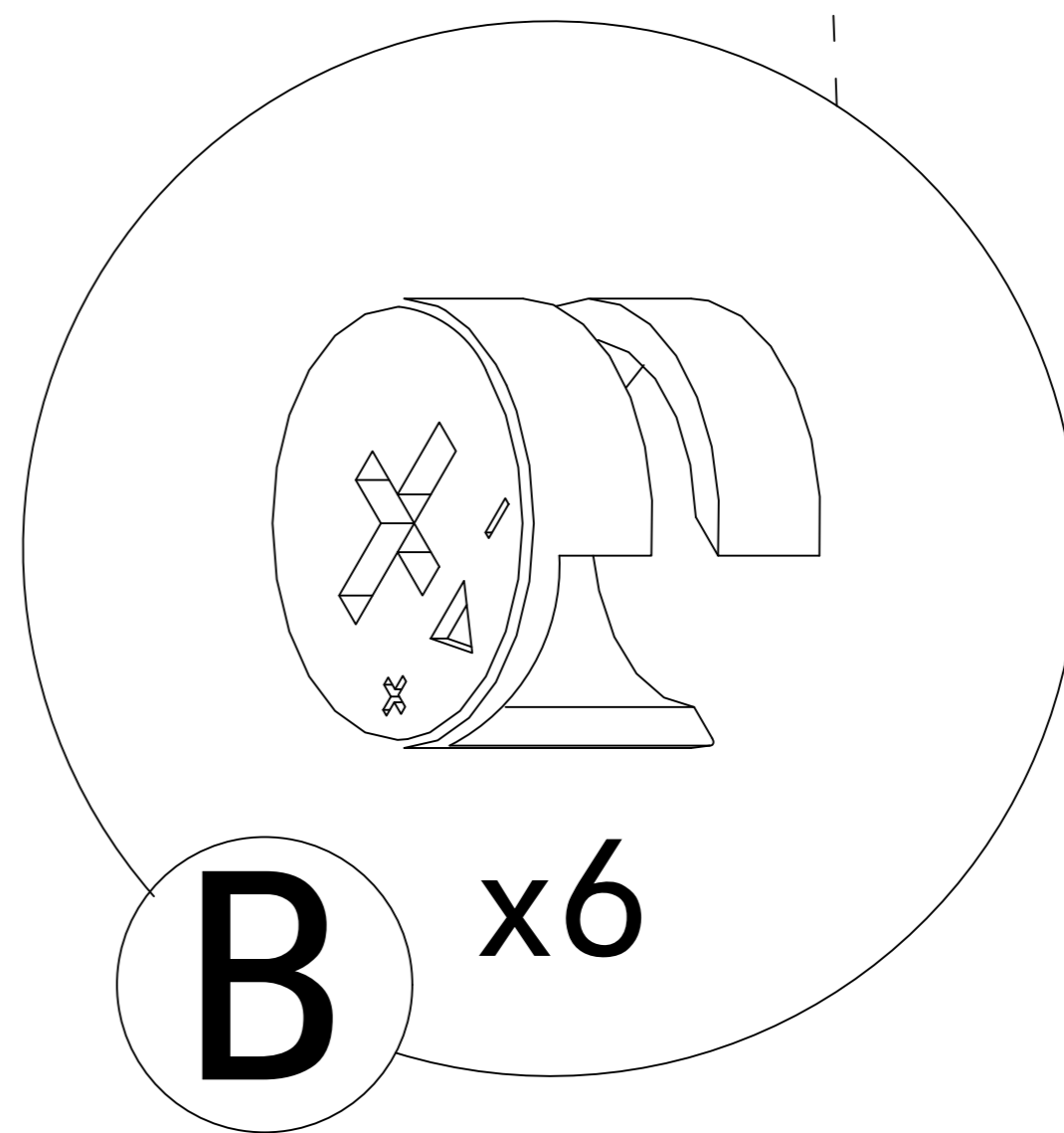
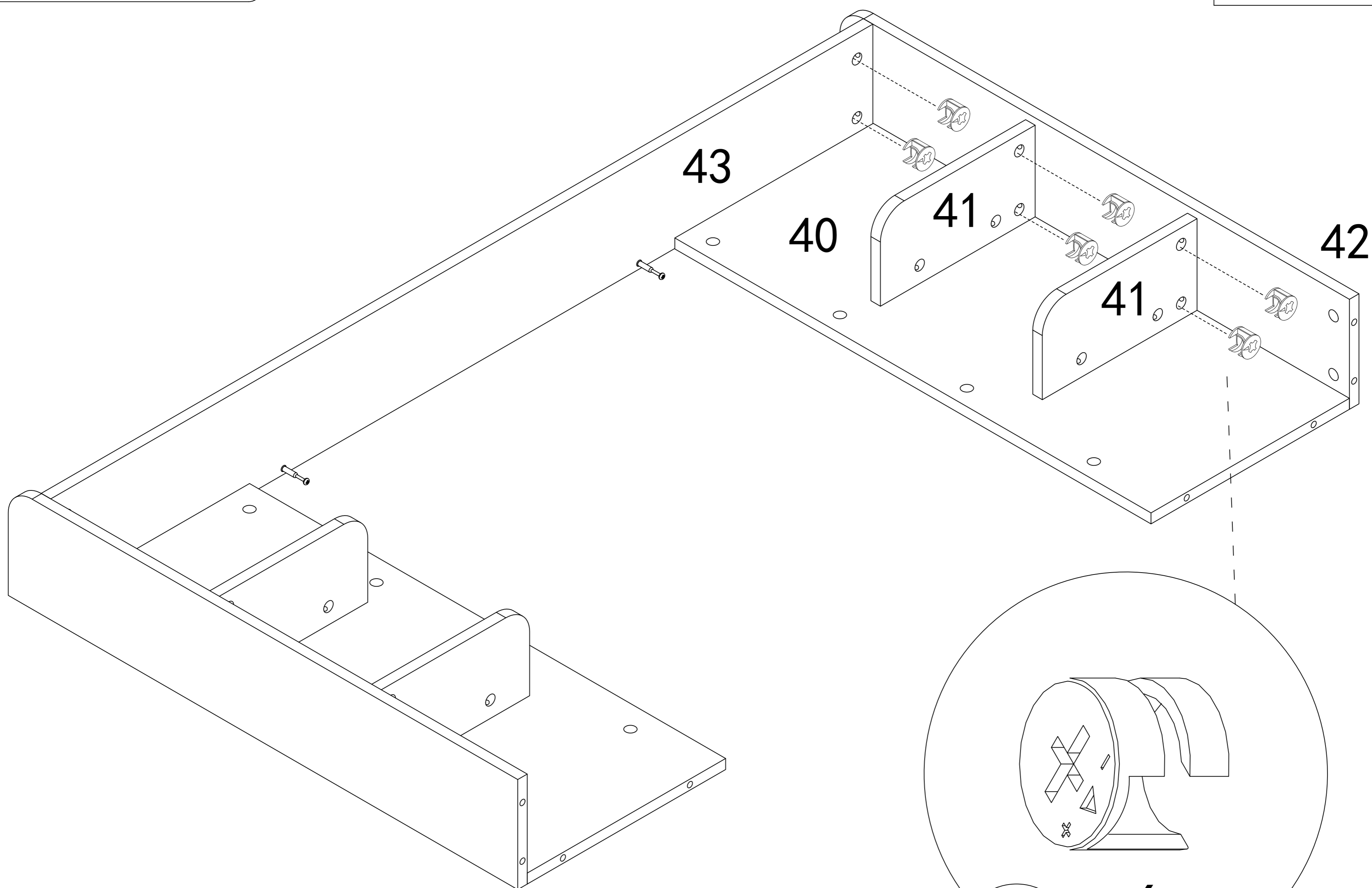


Step 90

B

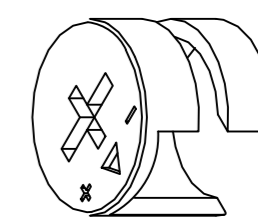


x6

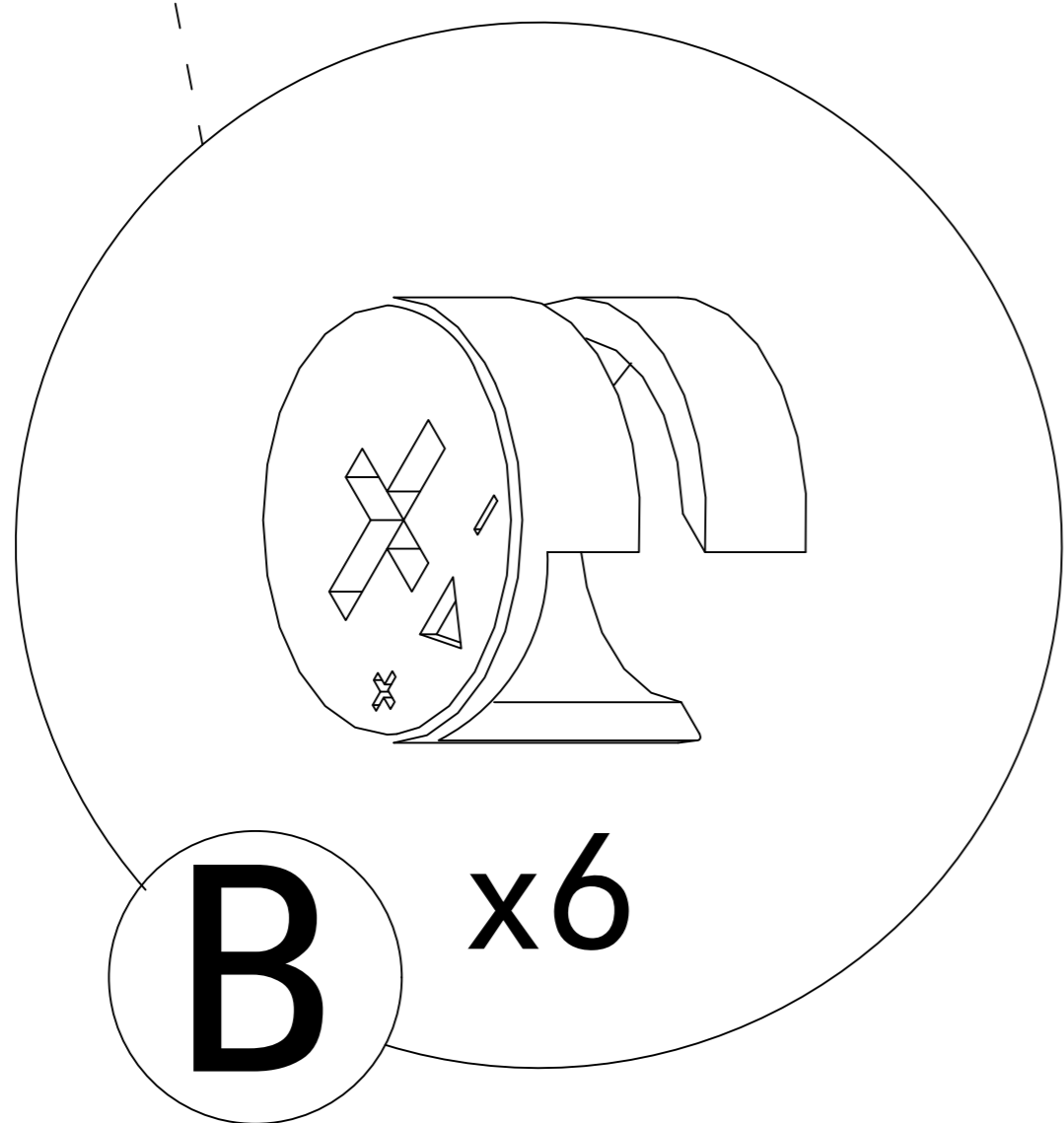
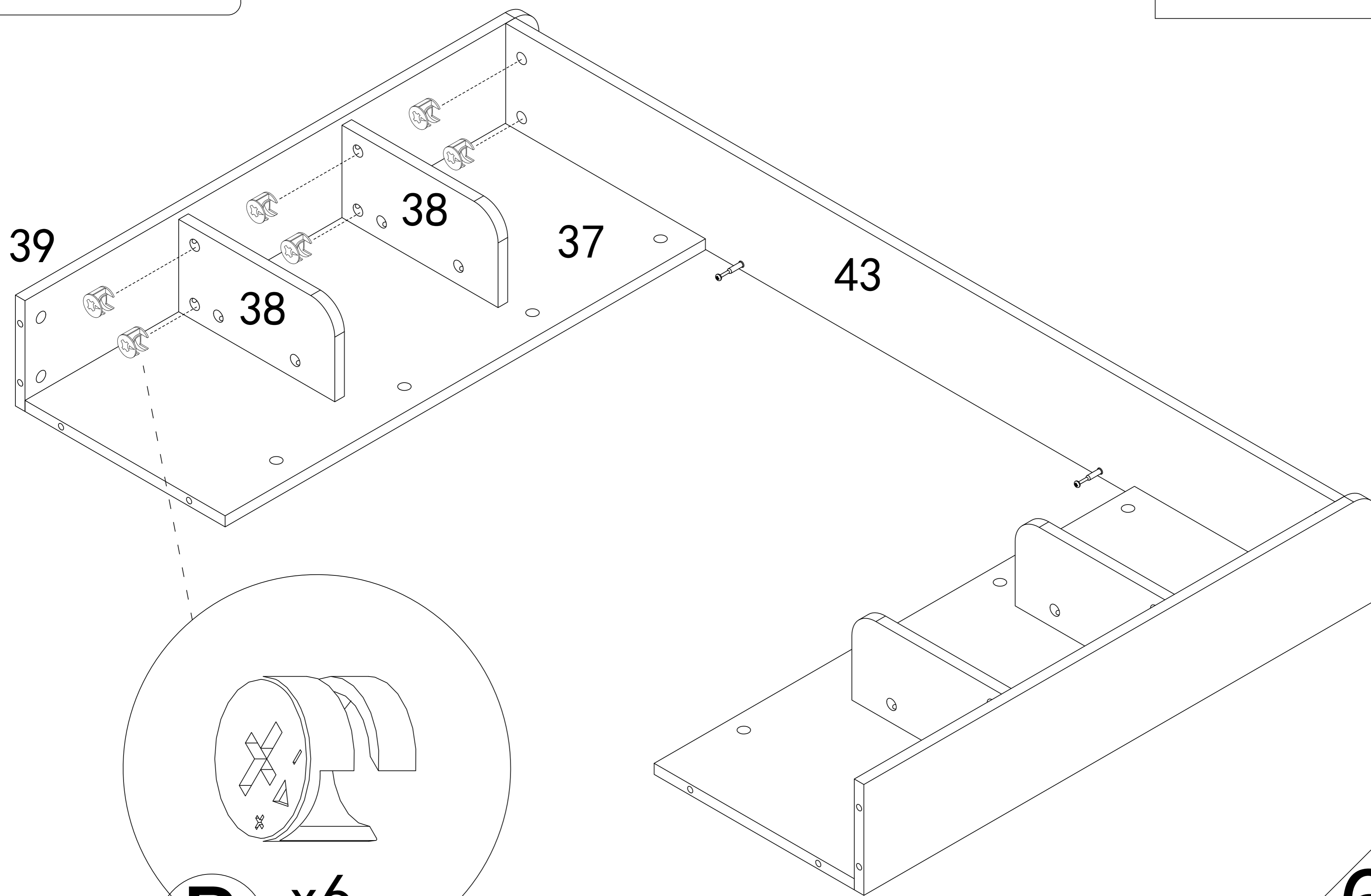


Step 91

B

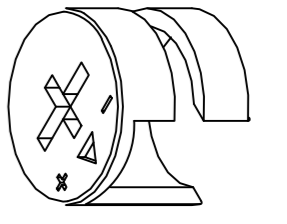


x6

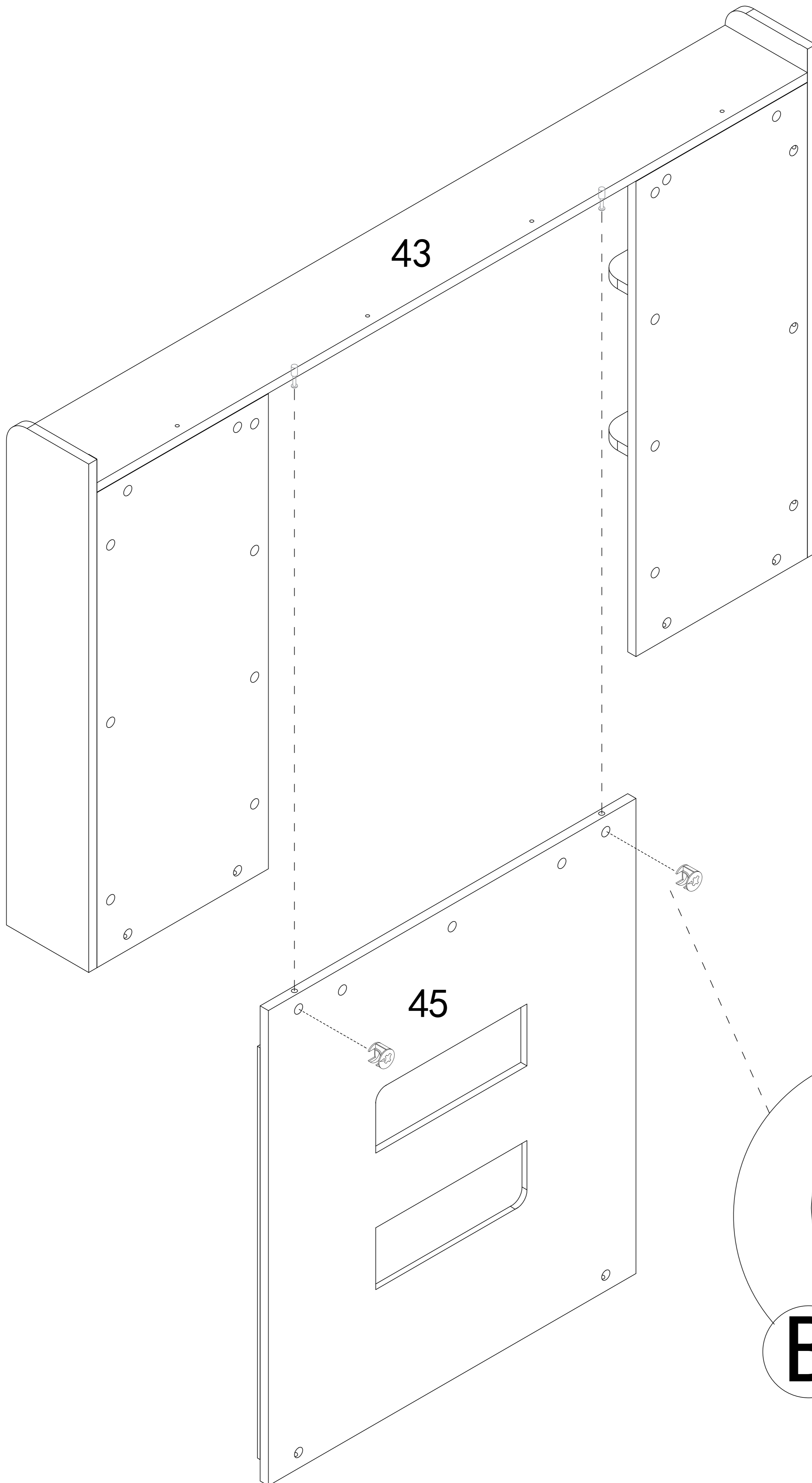


Step 92

B



x2



43

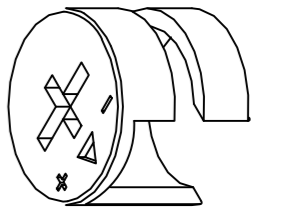
45

B

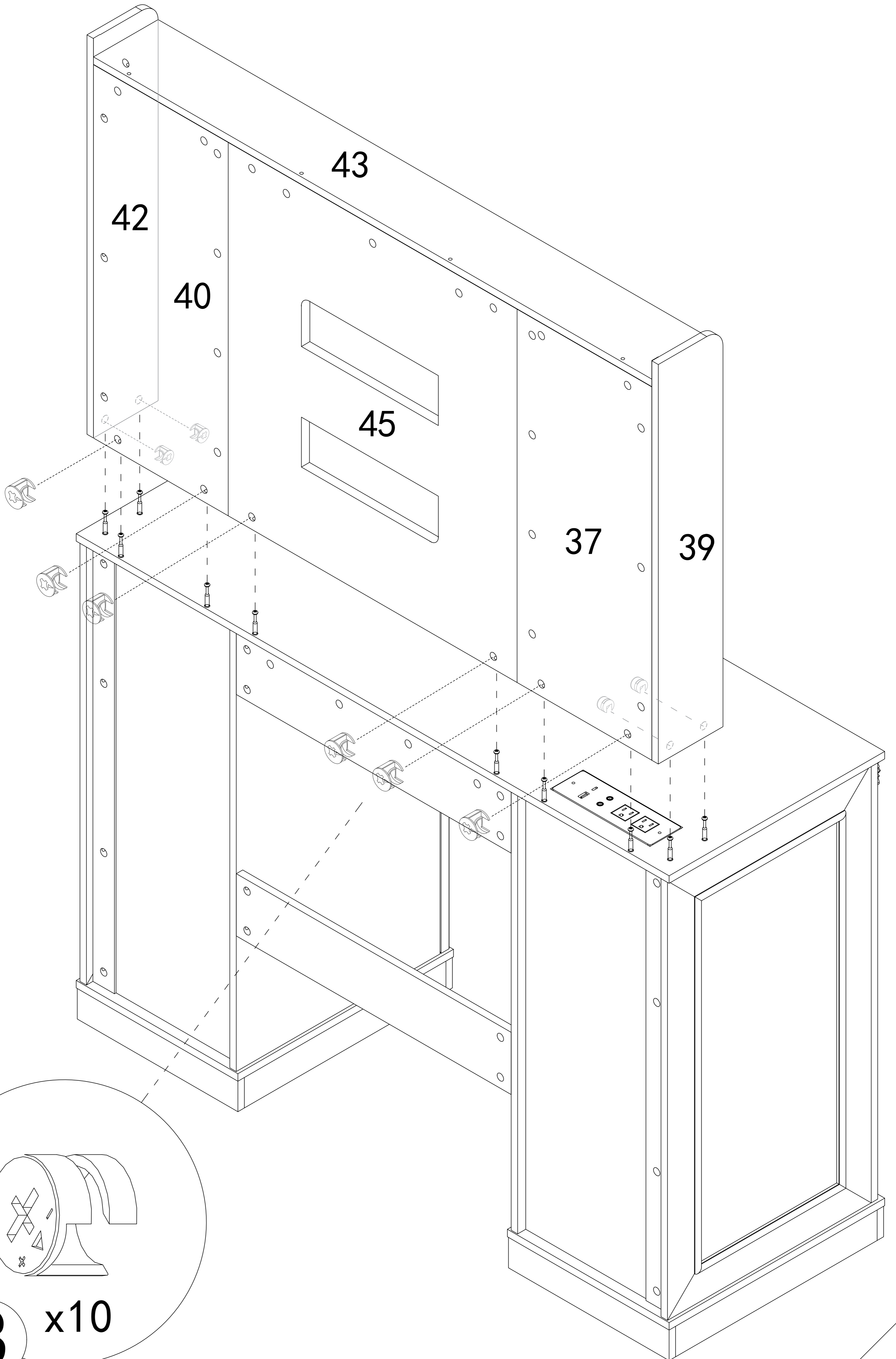
x2

Step 93

B



x10

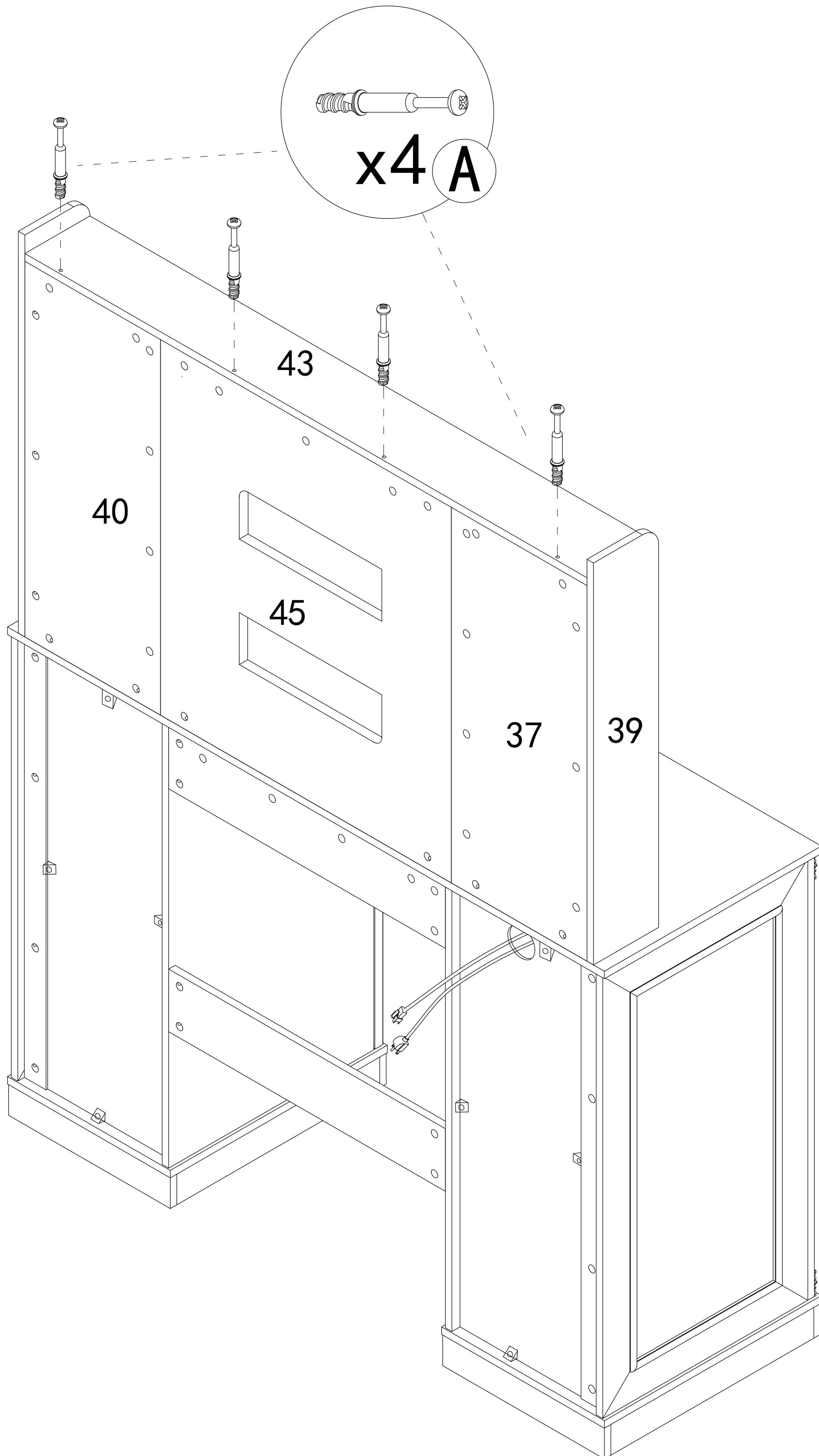
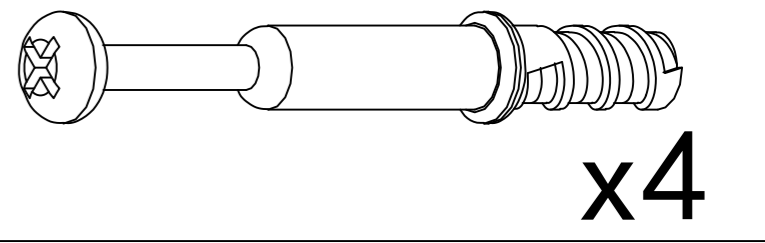


B

x10

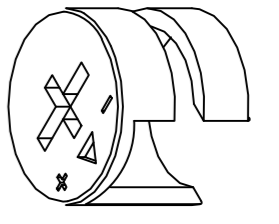
Step 94

A

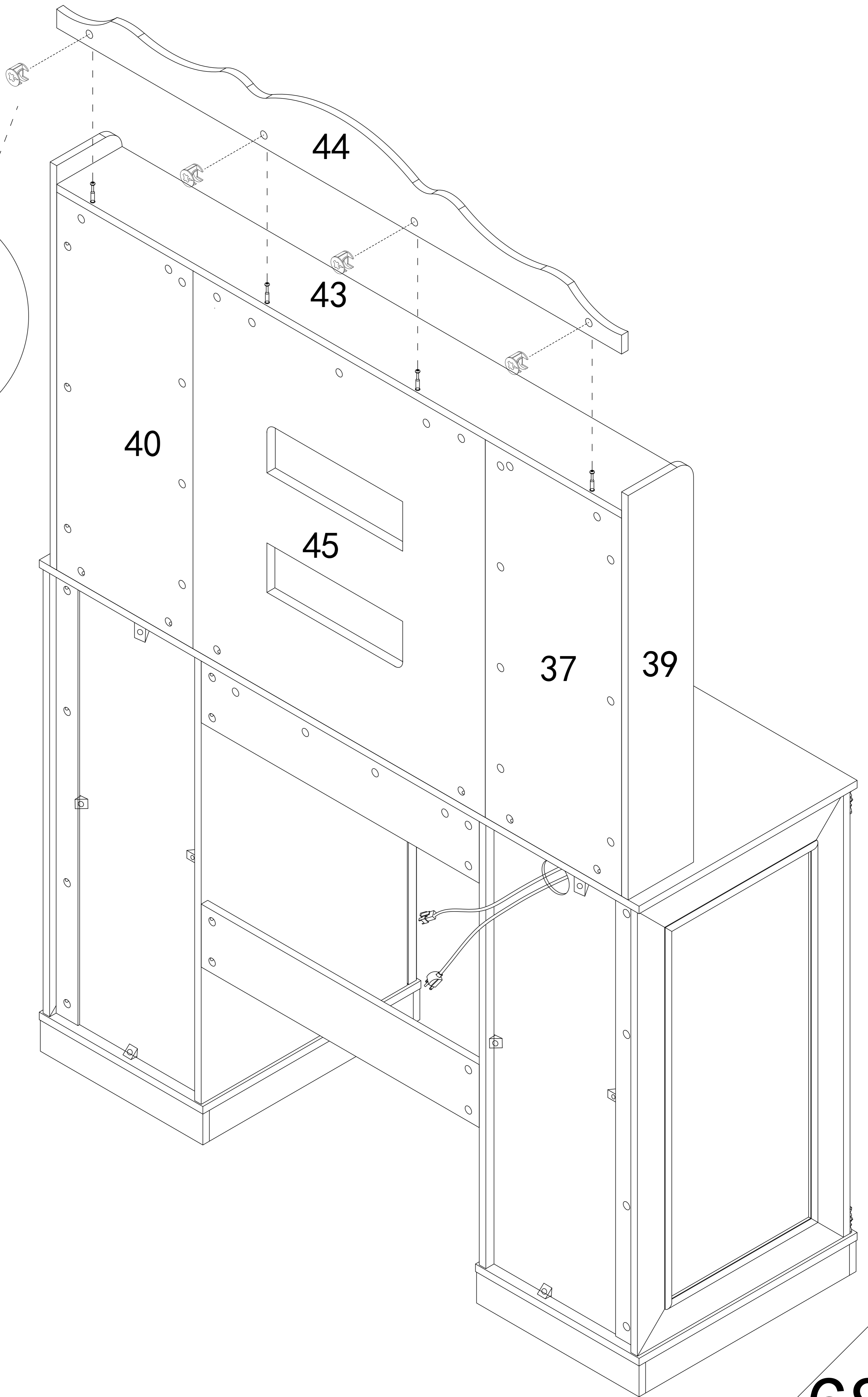
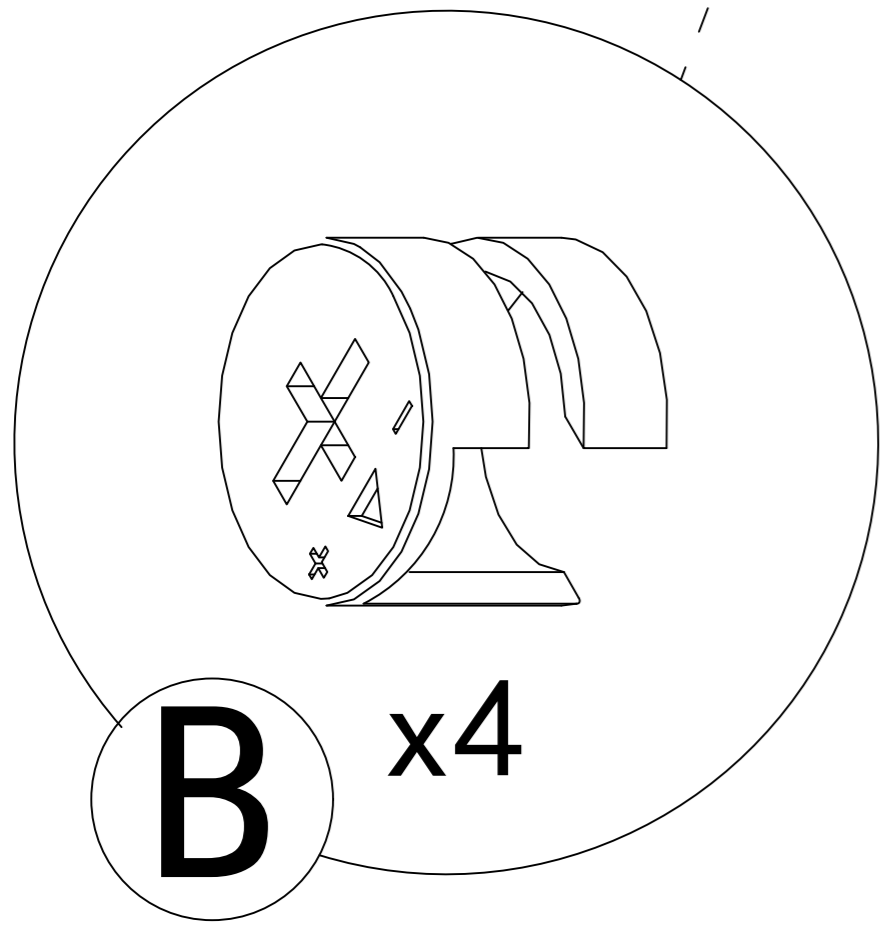


Step 95

B

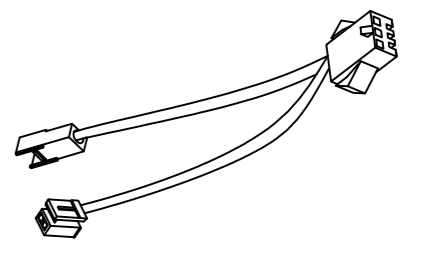


x4

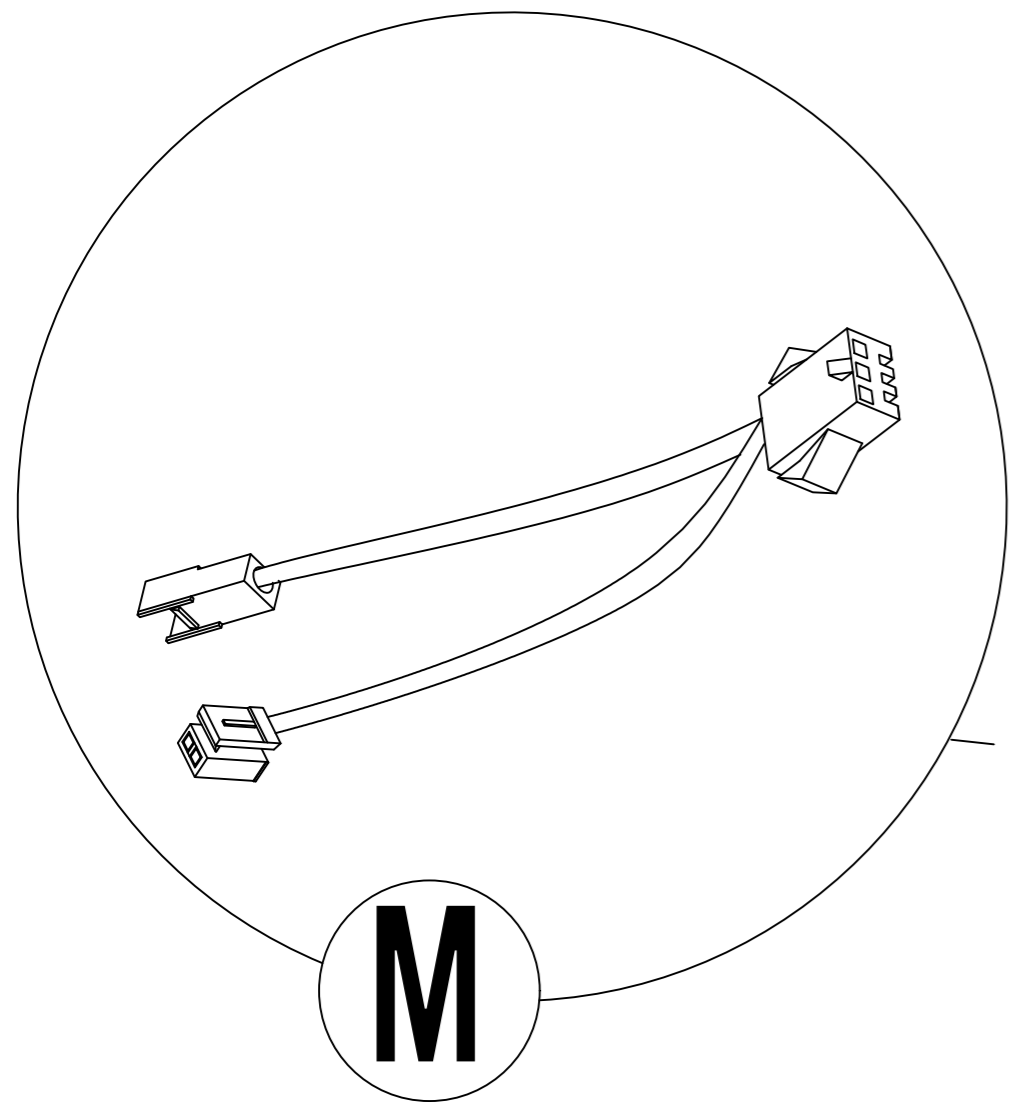


Step 96

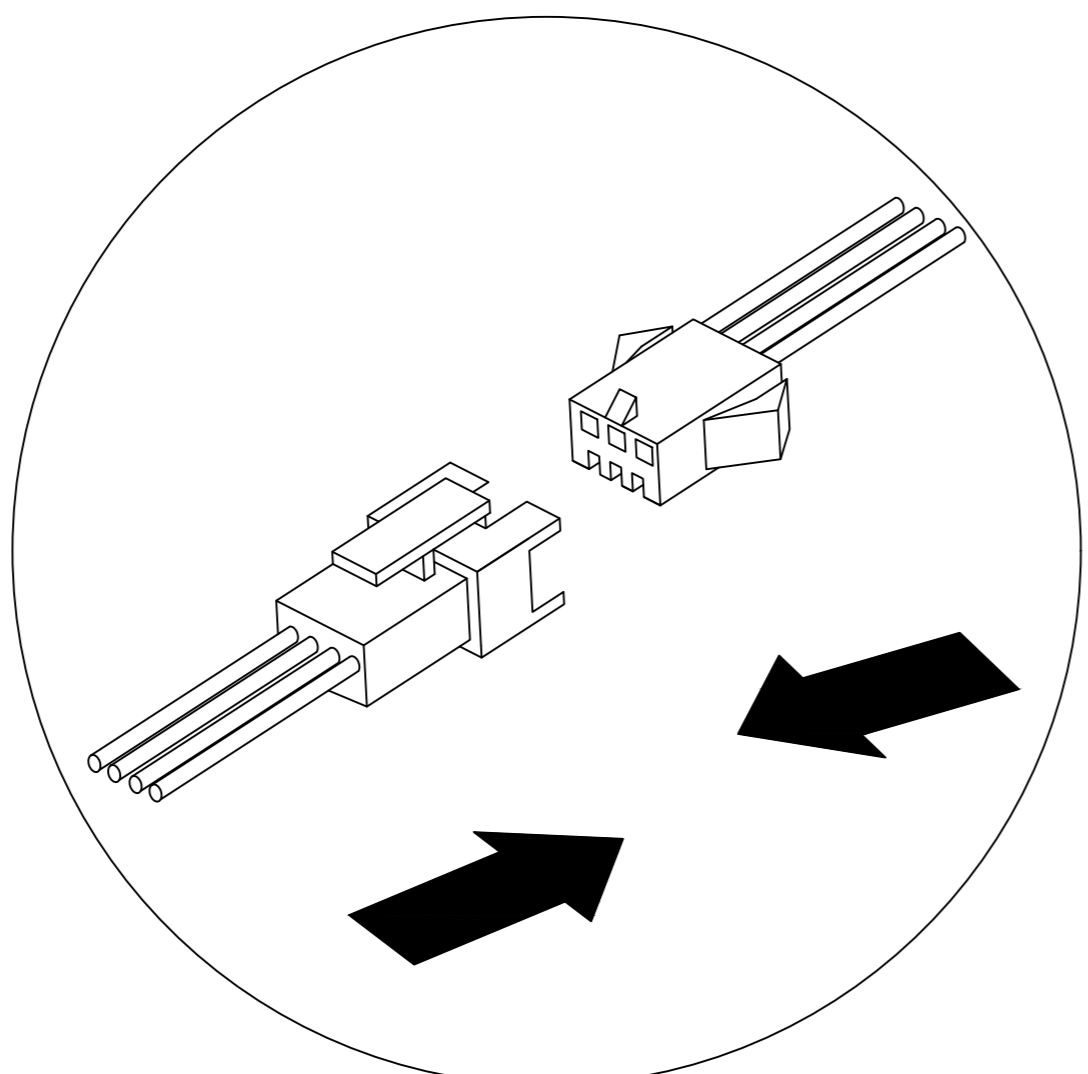
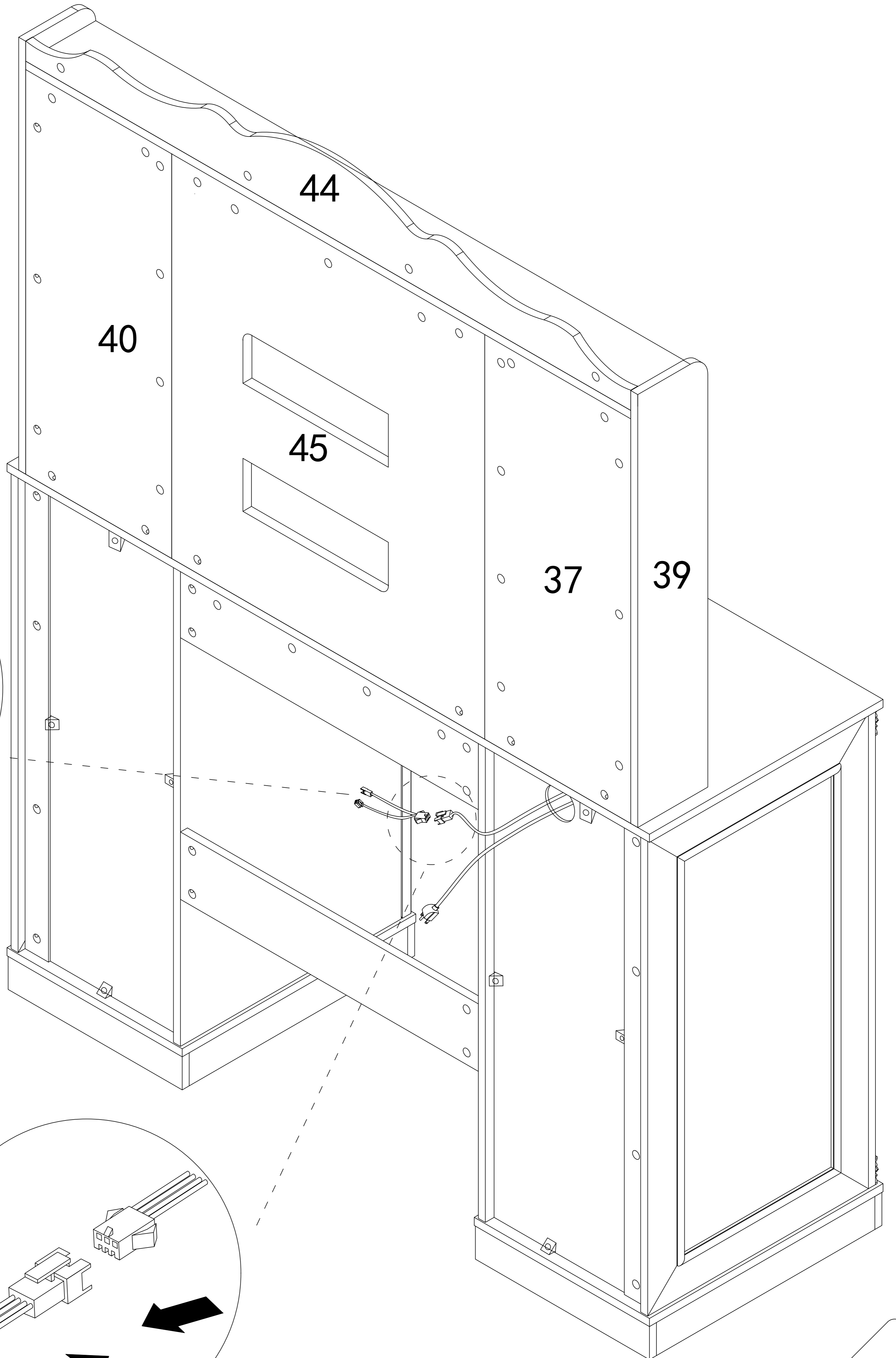
M



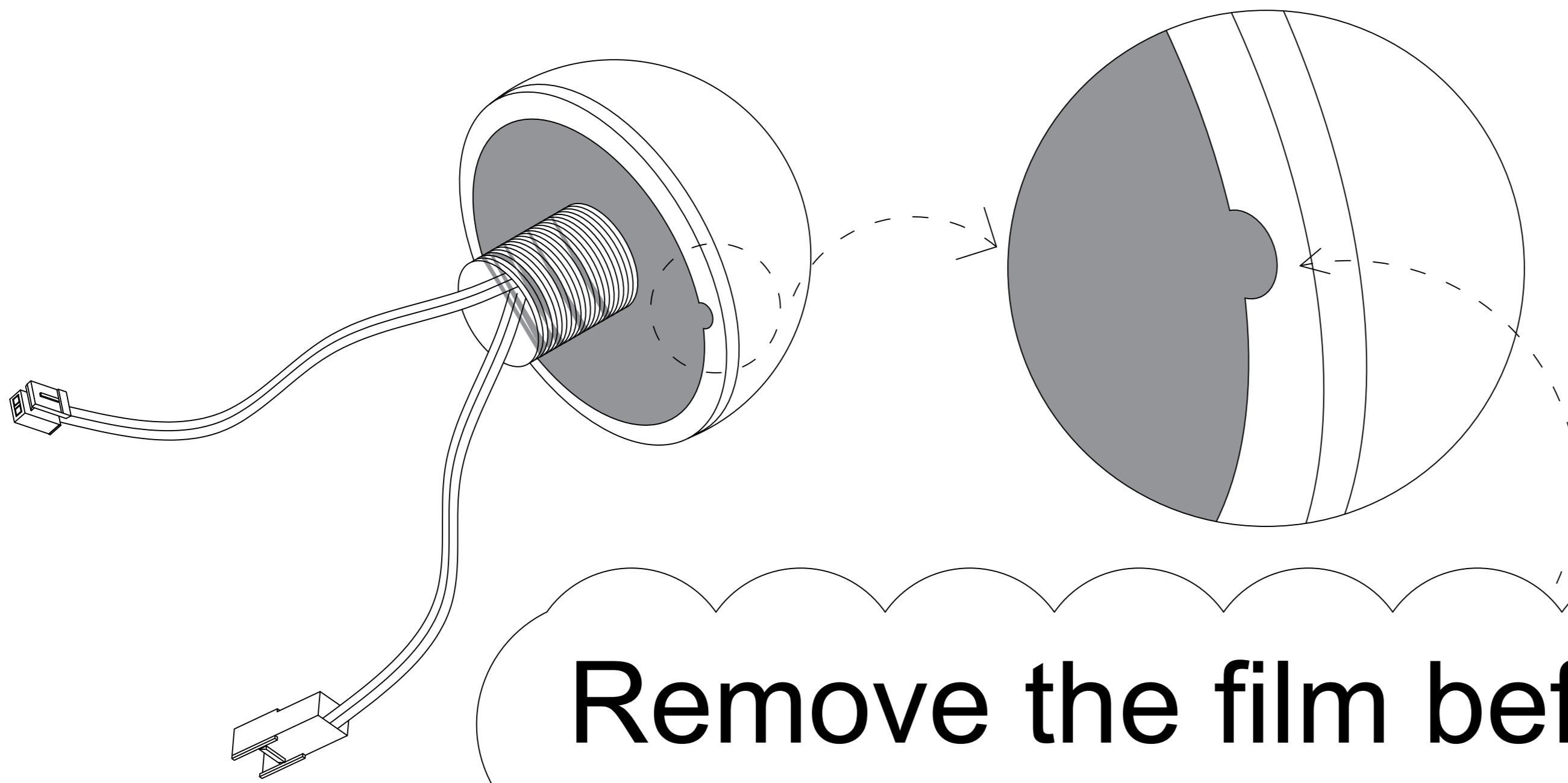
x1



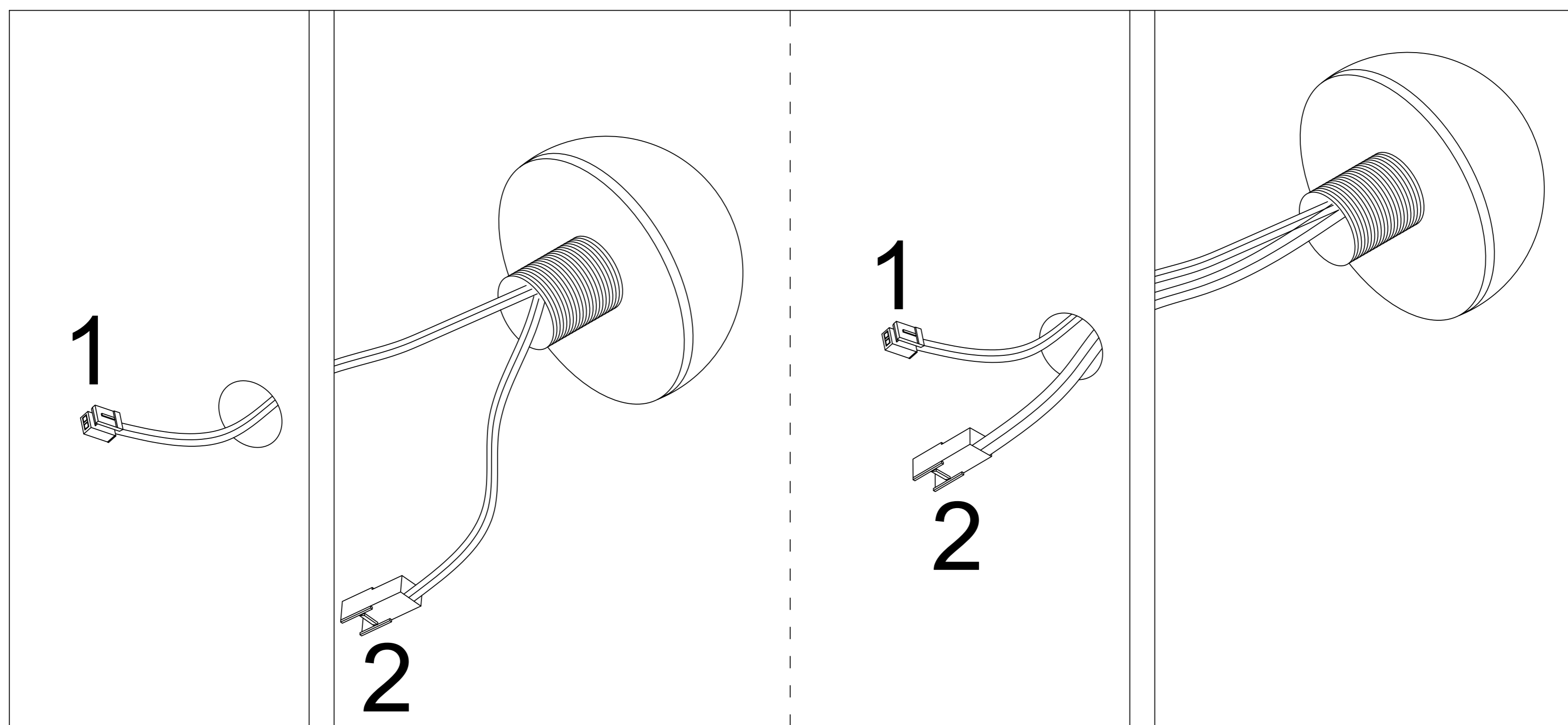
M



Step 97

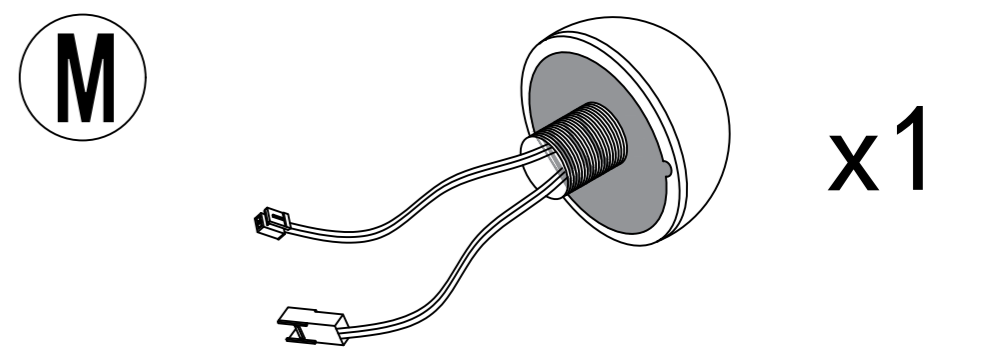
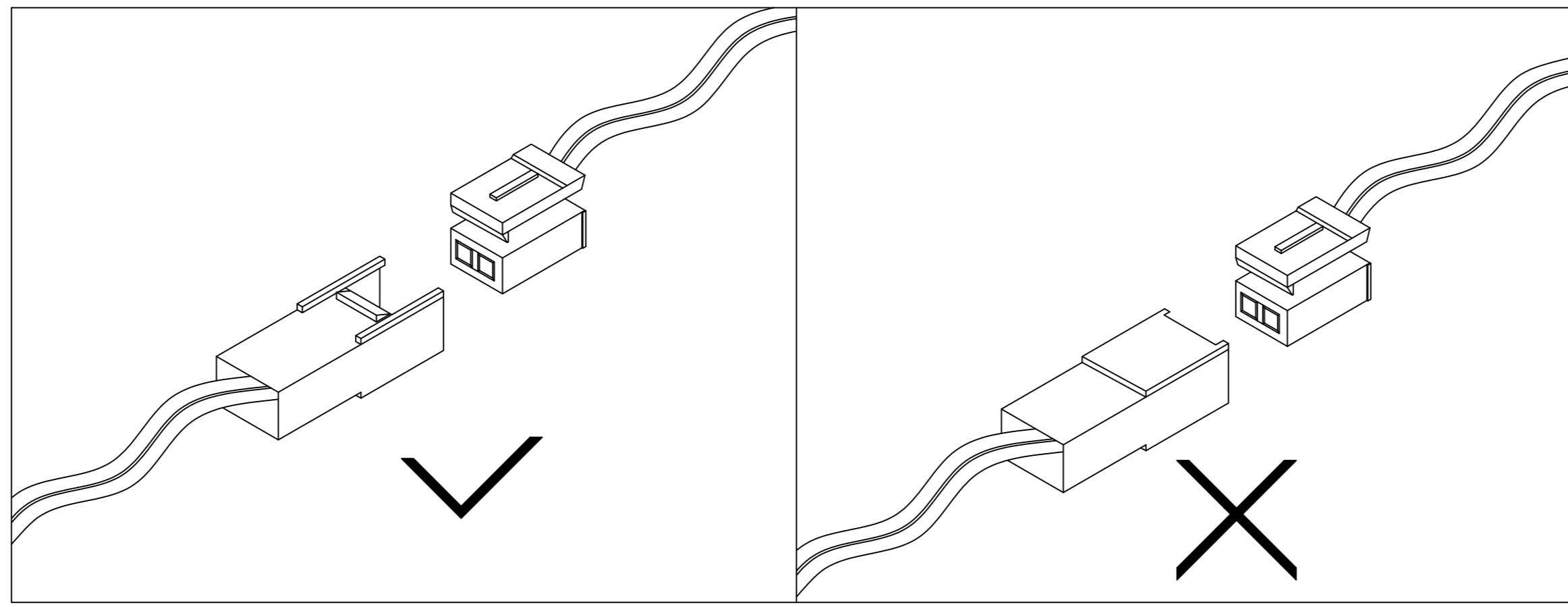


Remove the film before installation

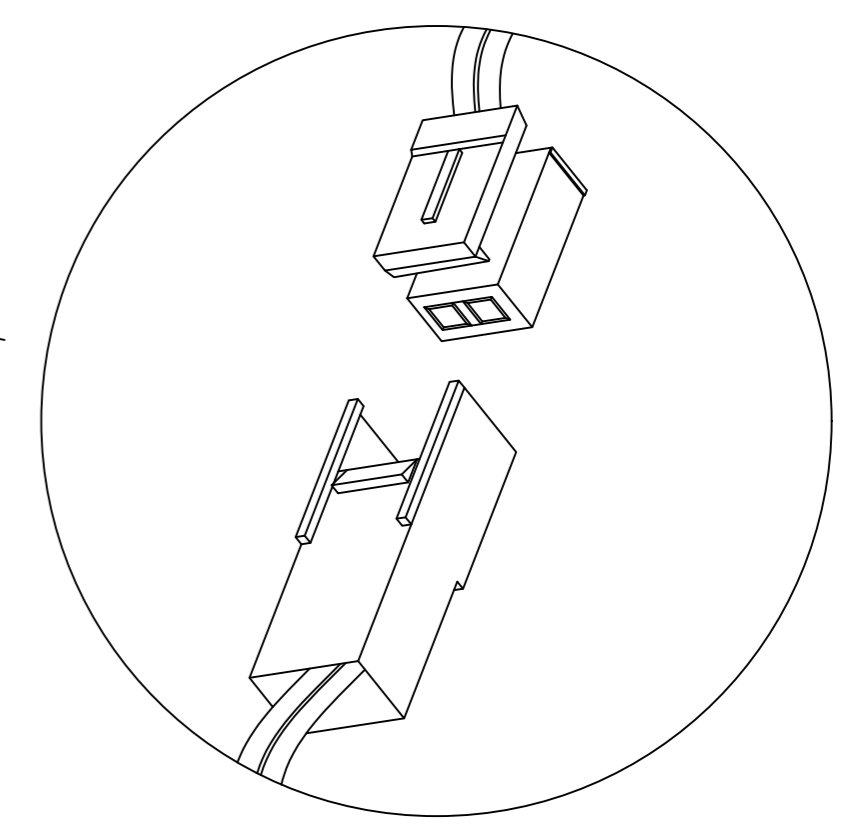
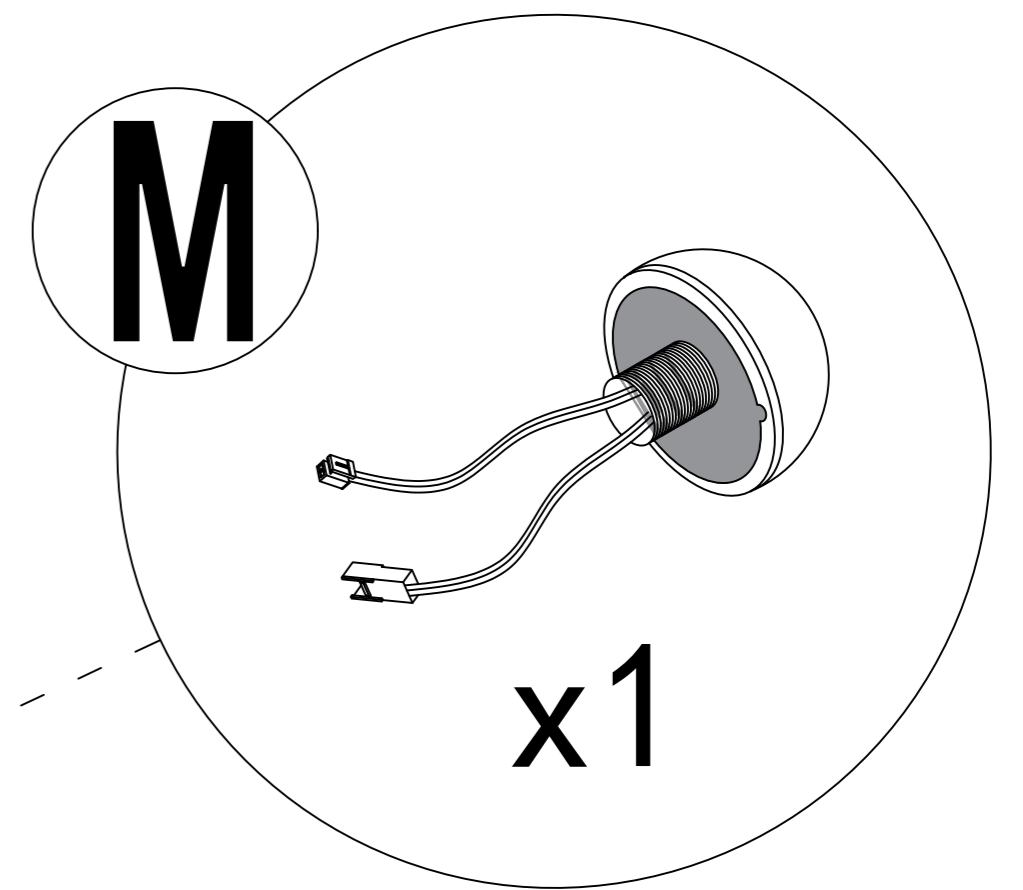
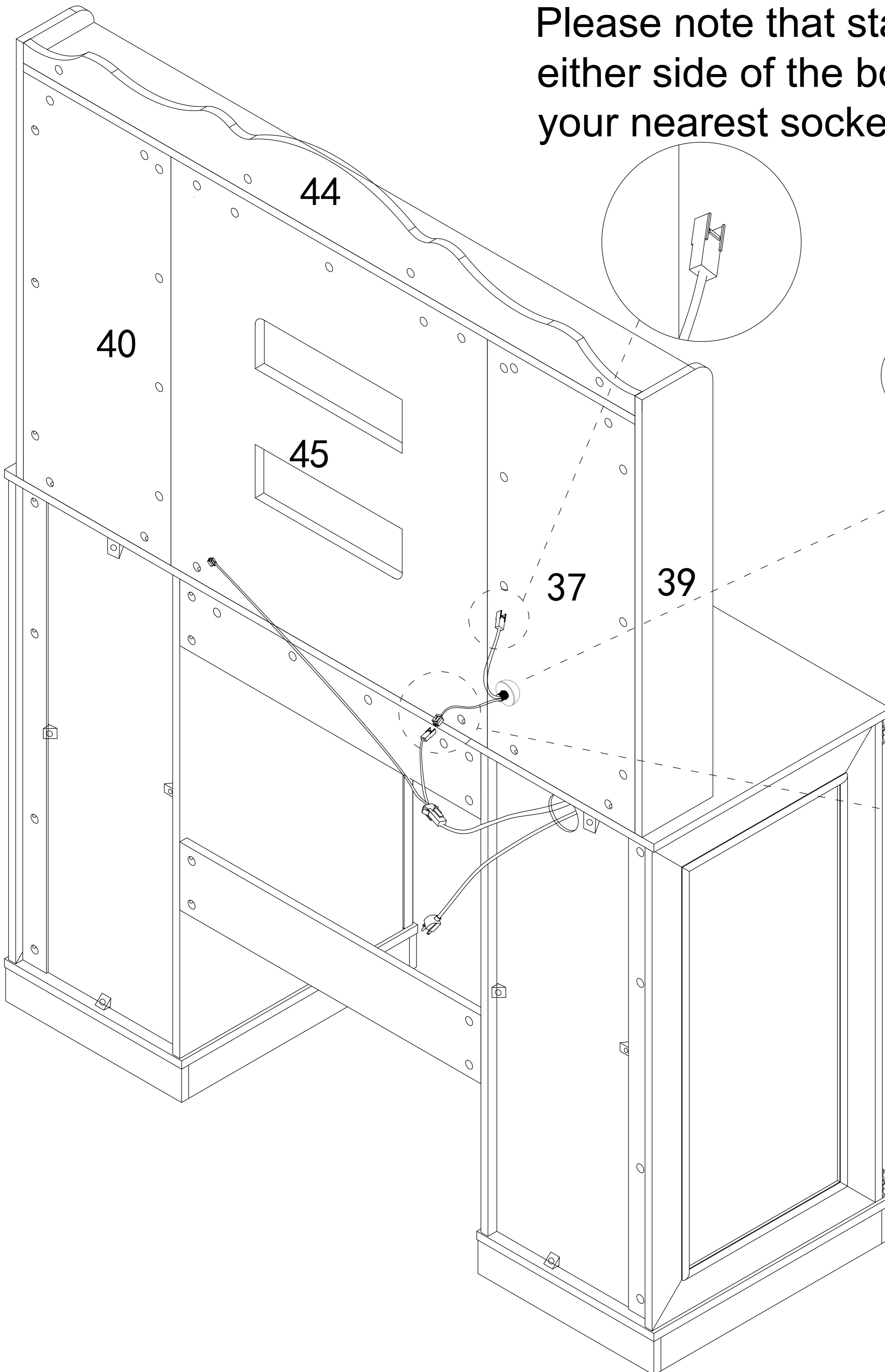


Make sure that you insert 2 cables on bulb through prepared holes on board, suggest to insert once a time.

Step 98

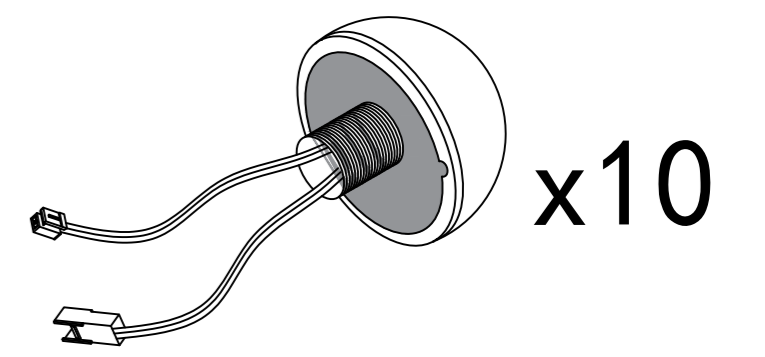


In case of miswiring, make sure you connect the first bulb with switch. Please note that starter bulb could be either side of the board, depends on your nearest socket location.

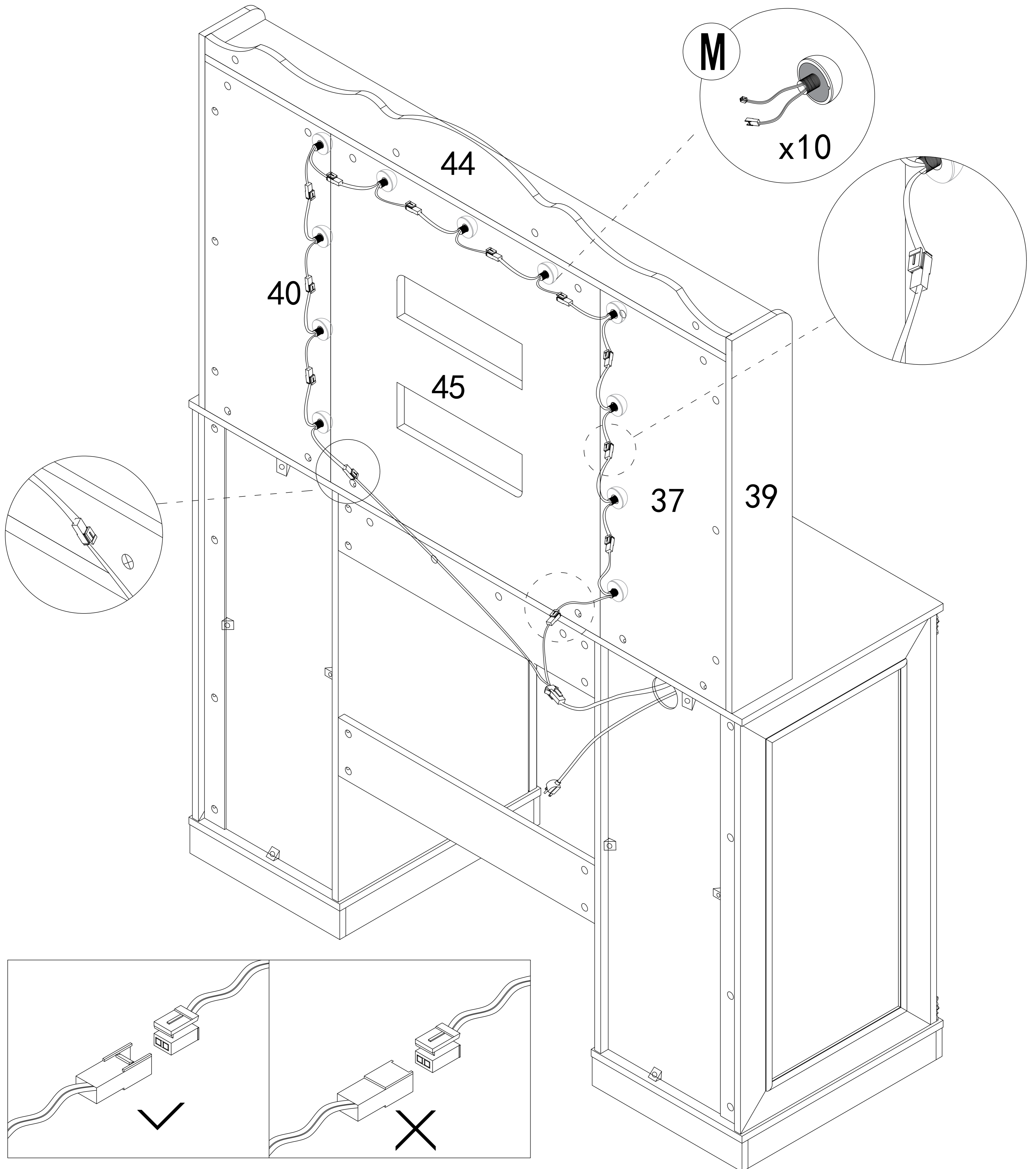


Step 99

M

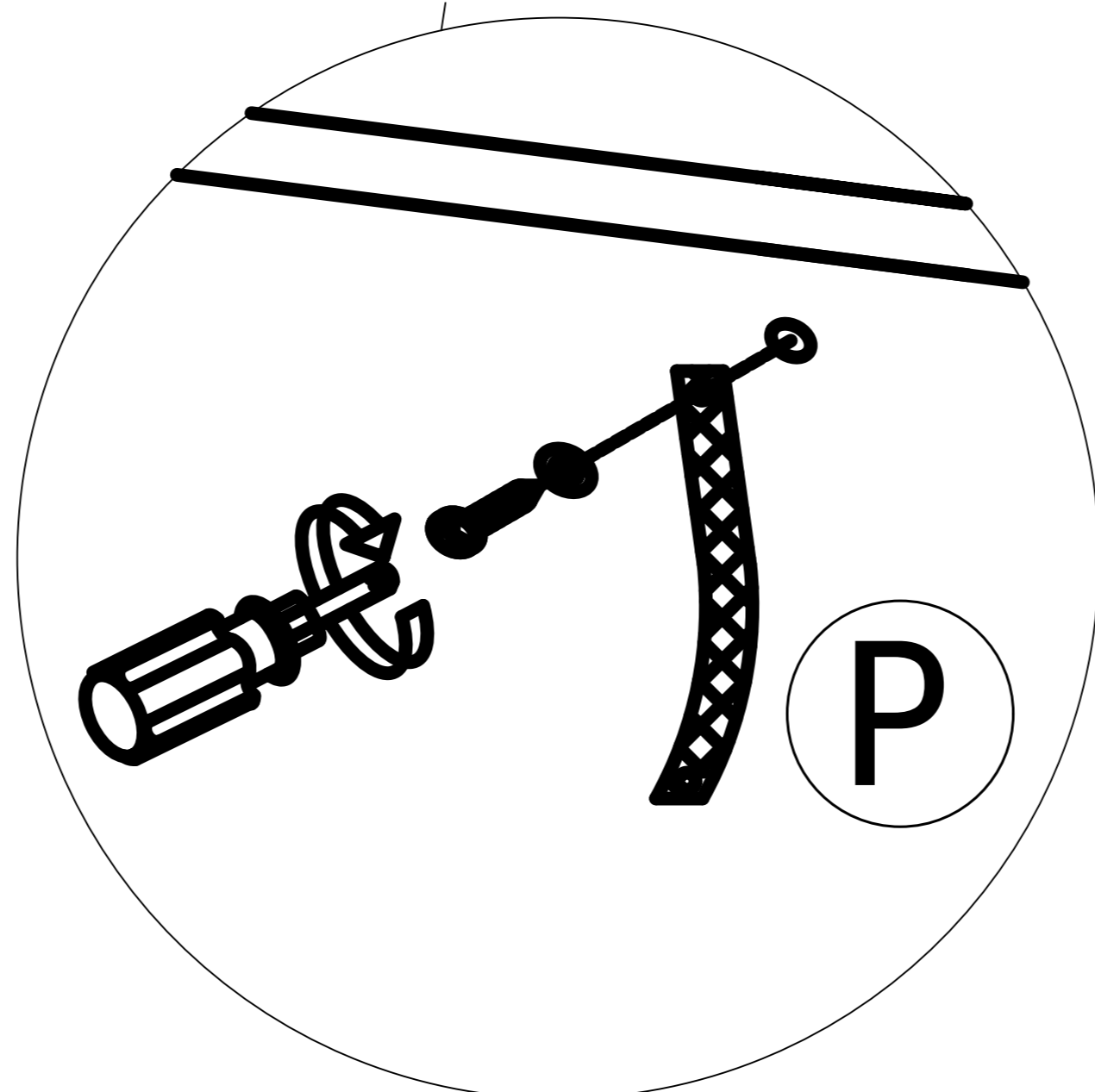
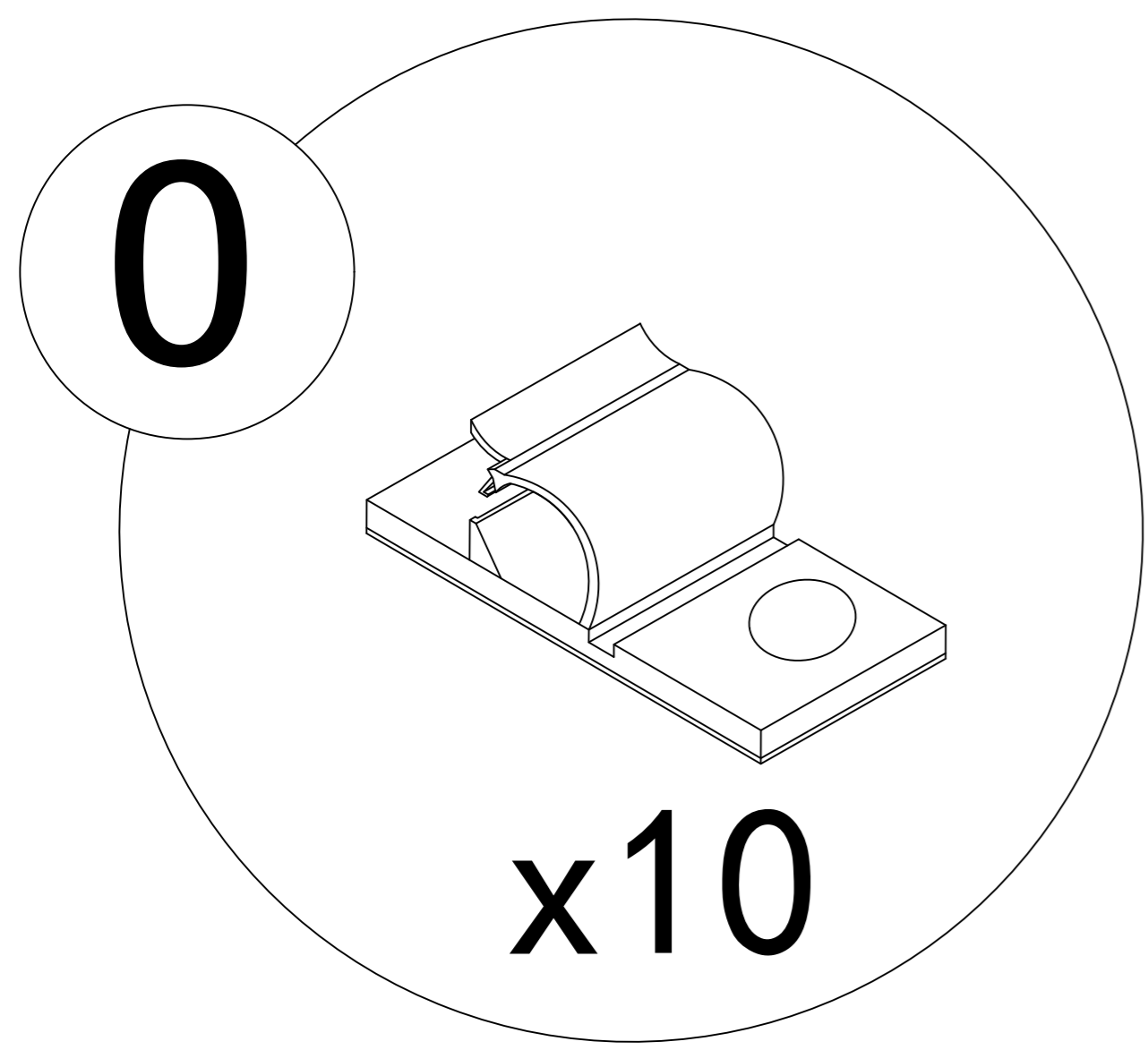
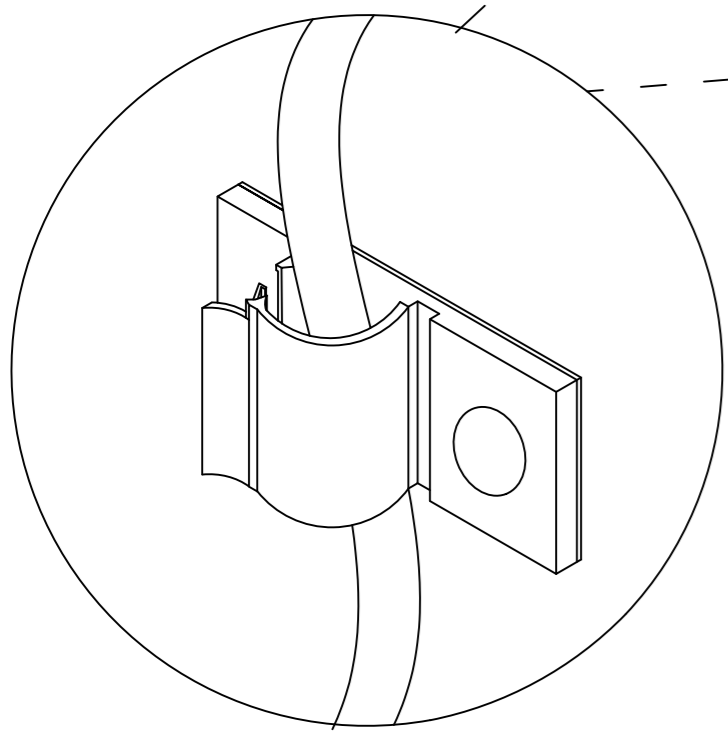
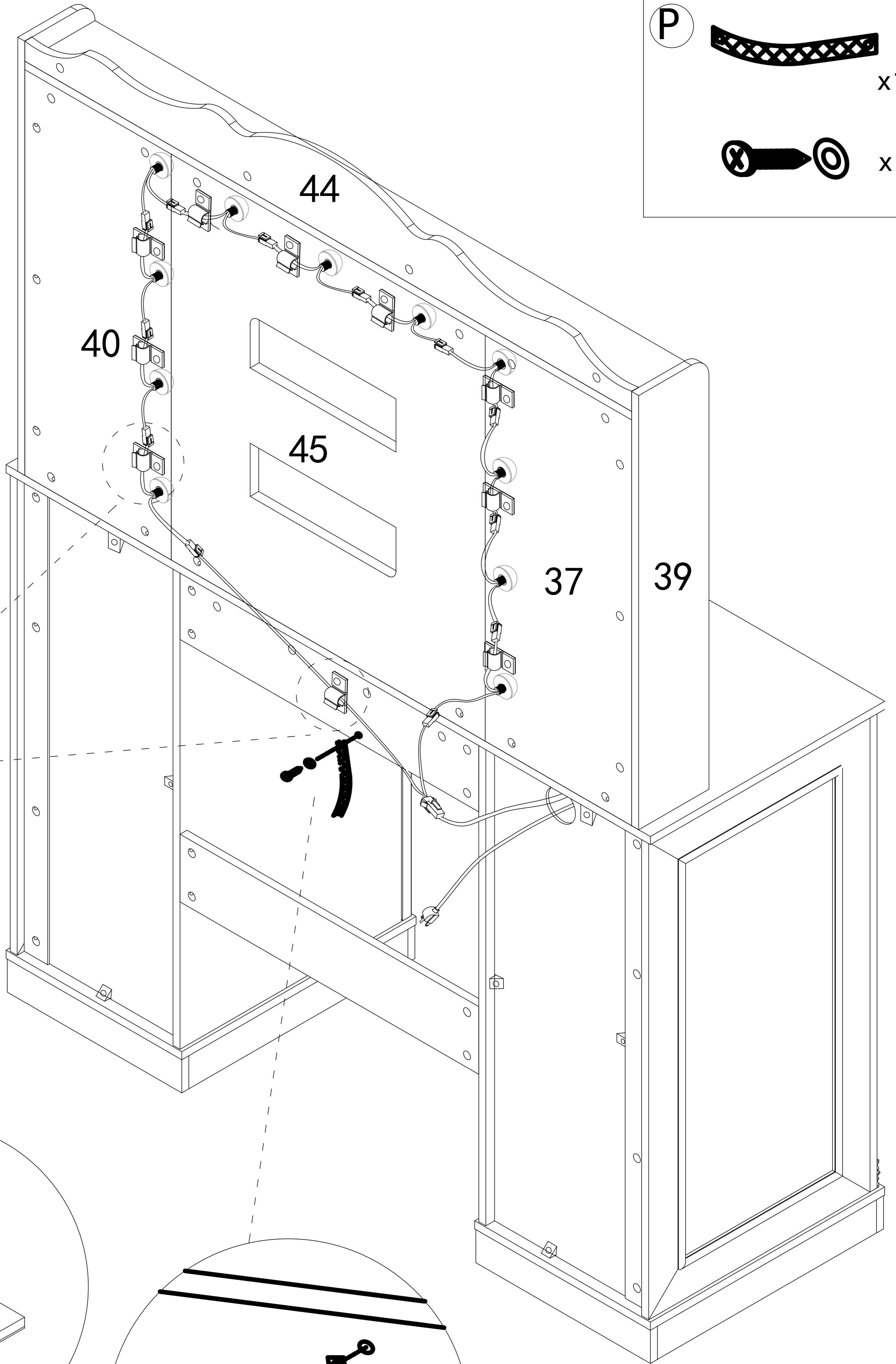
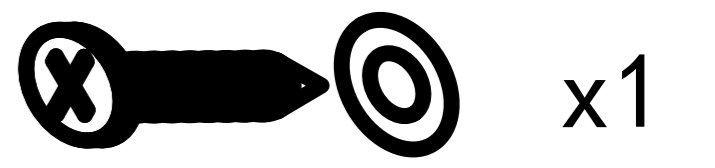
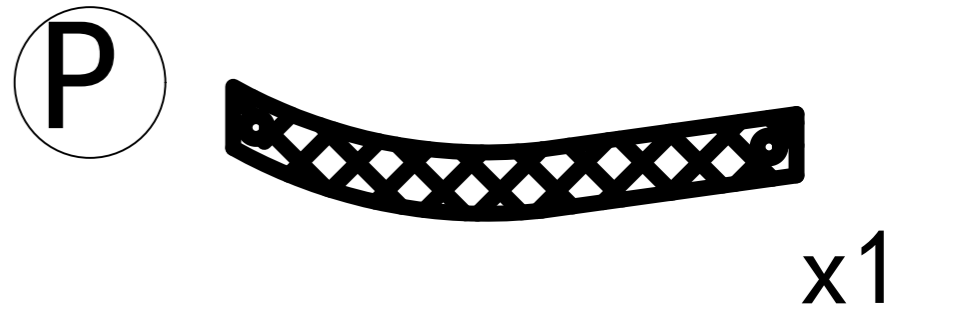
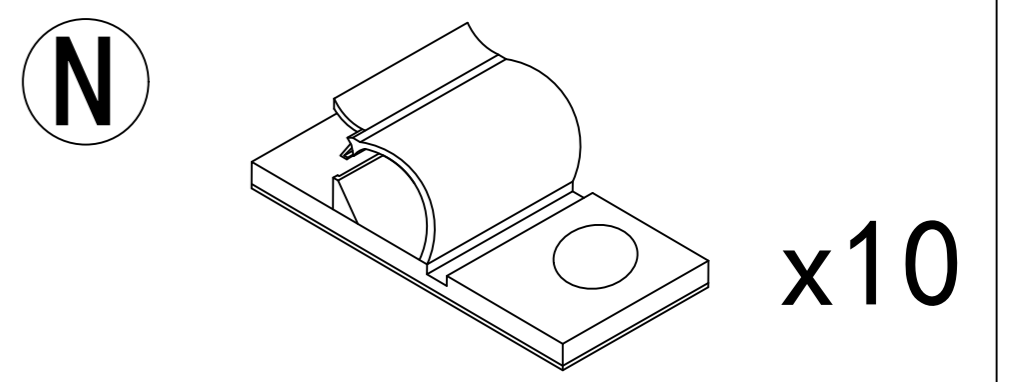


From the first bulb, connect all bulbs in turn

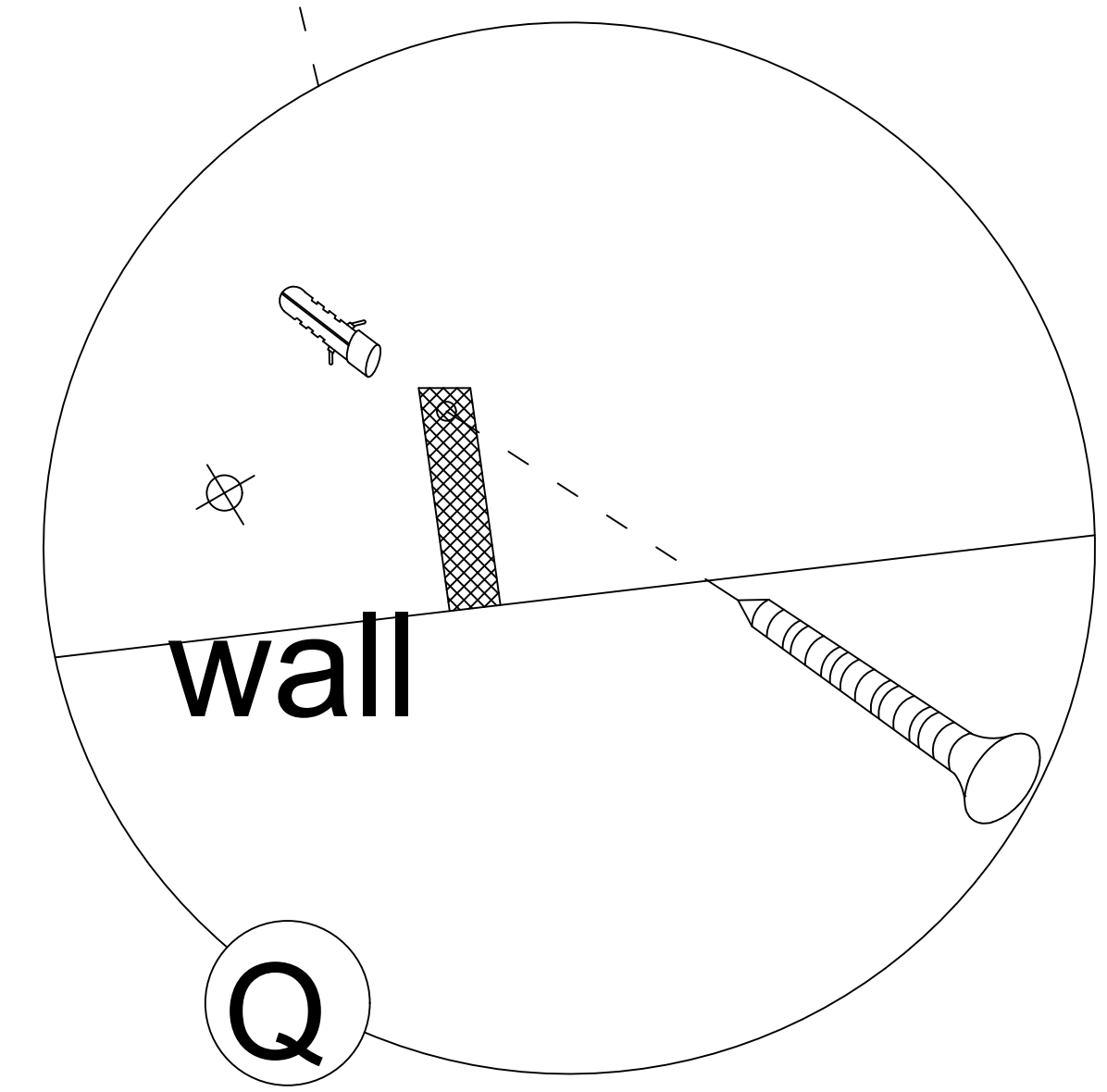
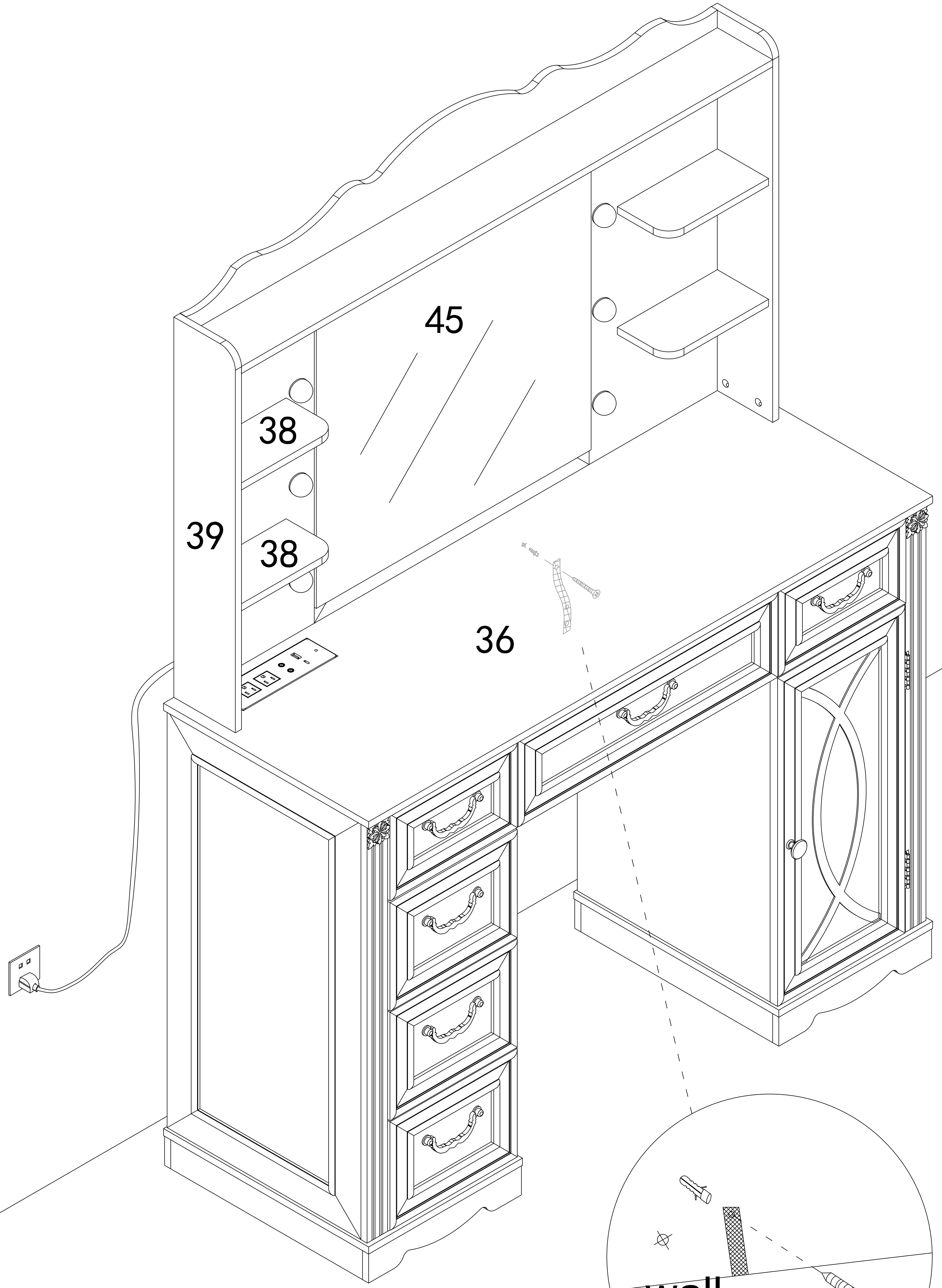
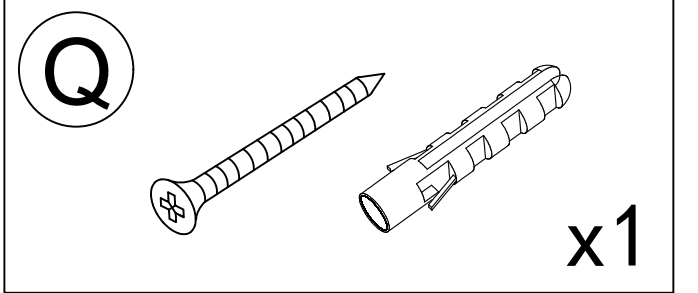


Please note that connection between each bulbs should be like LEFT status. Any connection like right image might be result of defection. For you own safety, check all connection in this step.

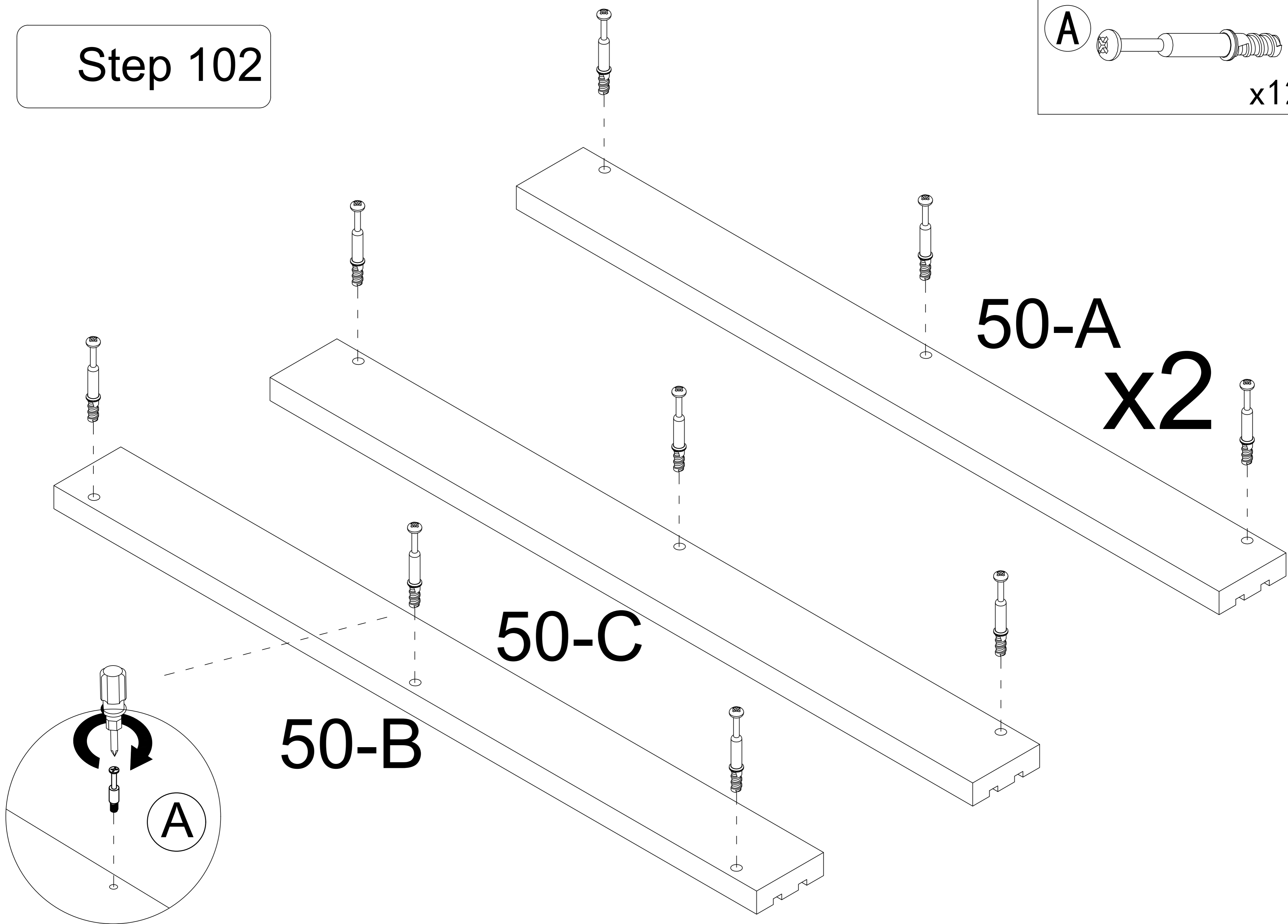
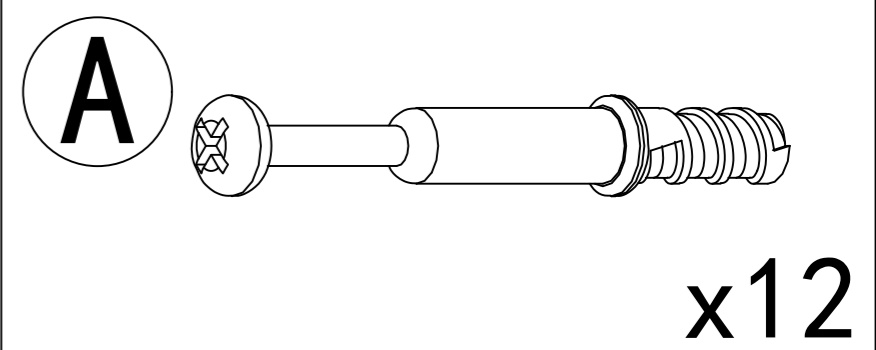
Step 100



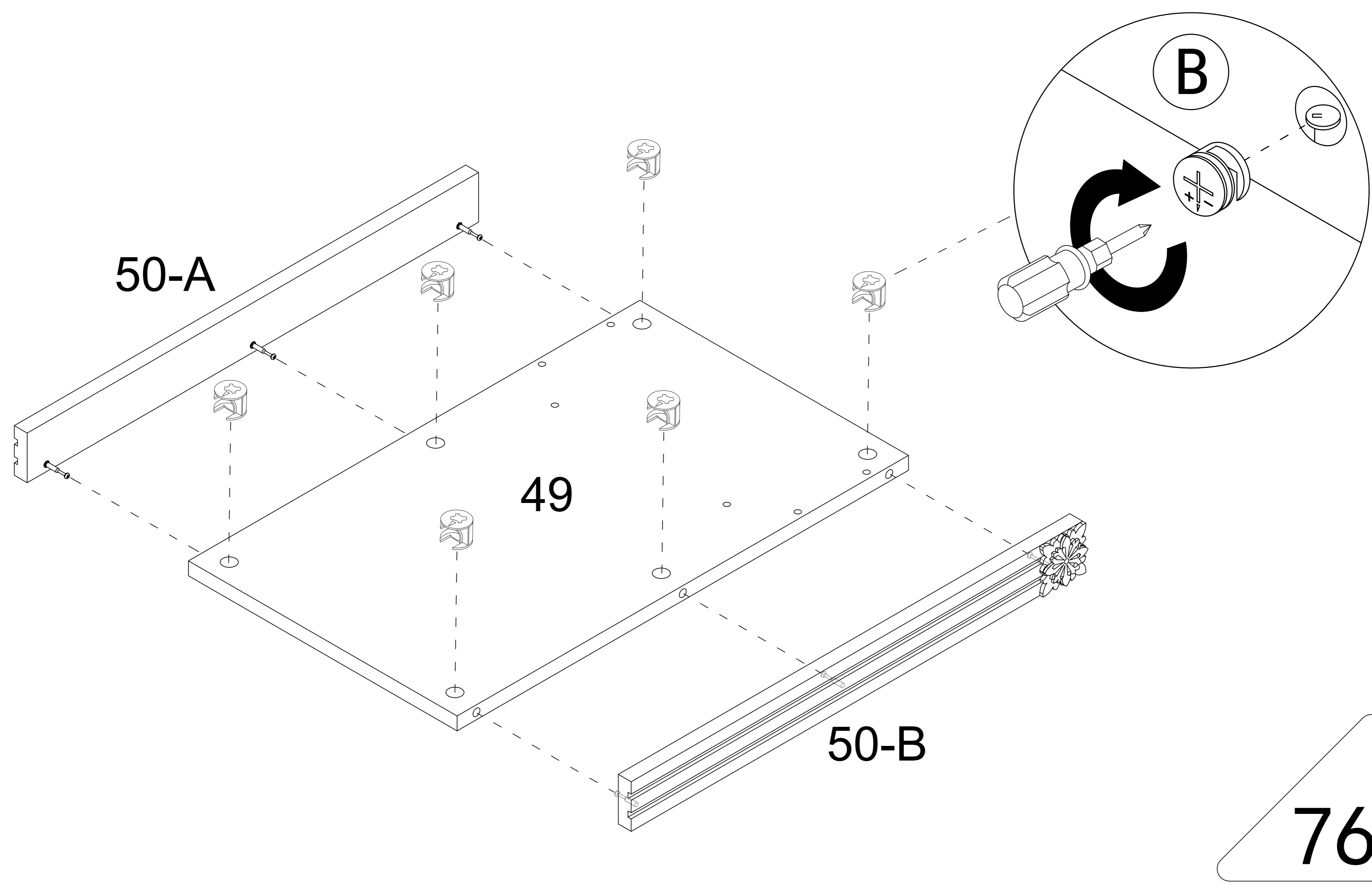
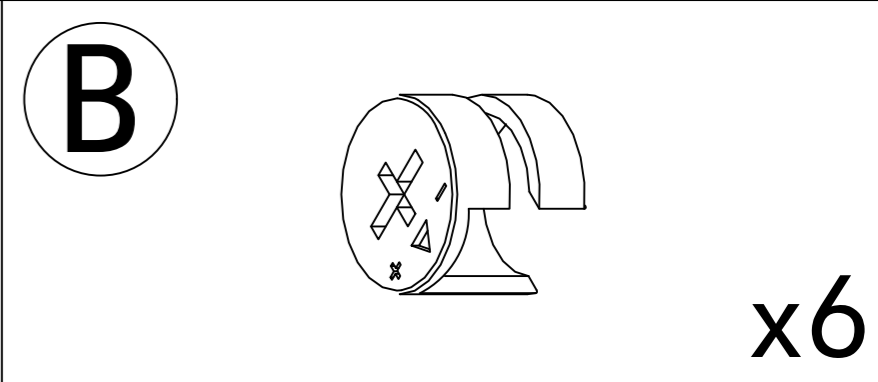
Step 101



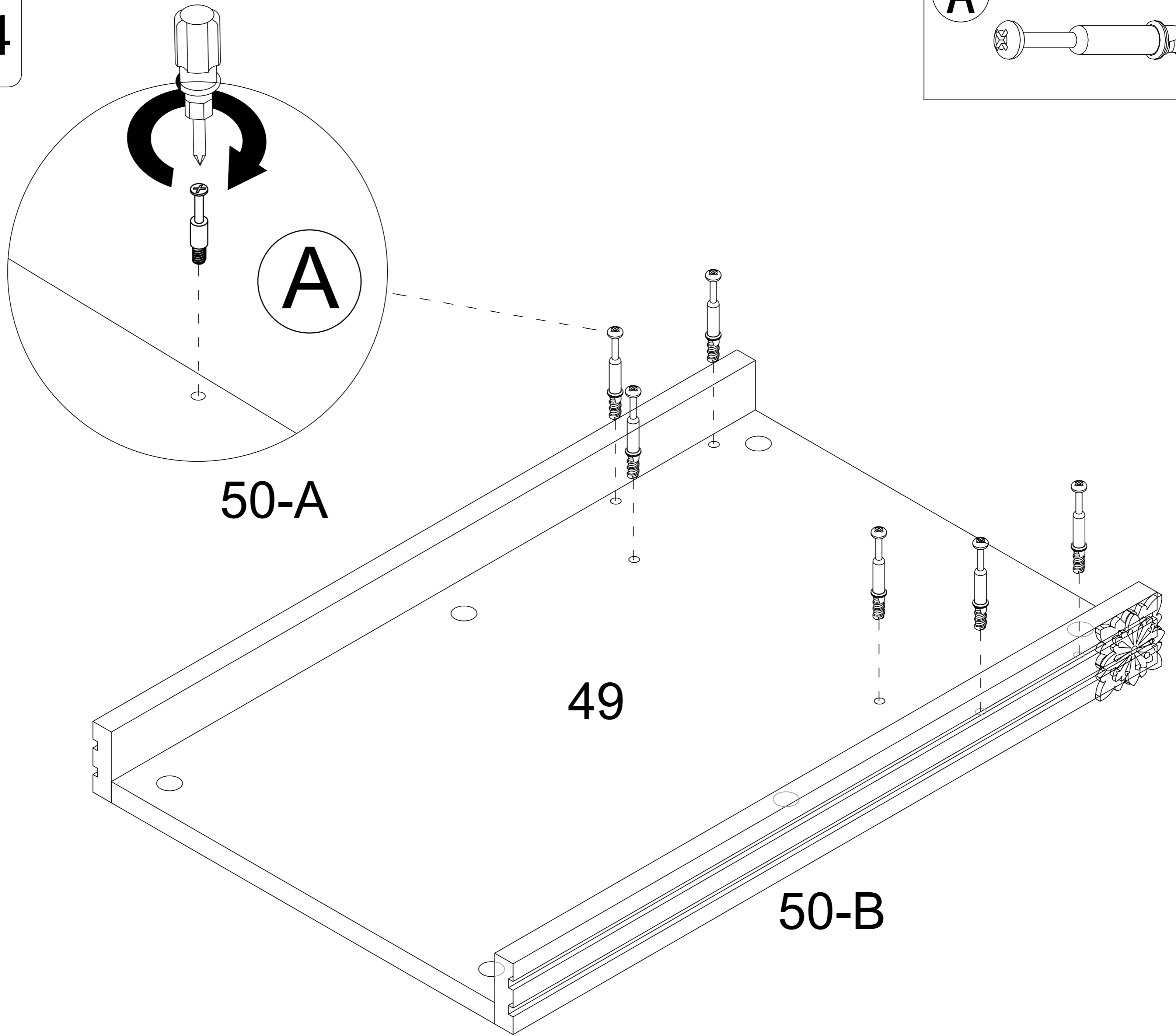
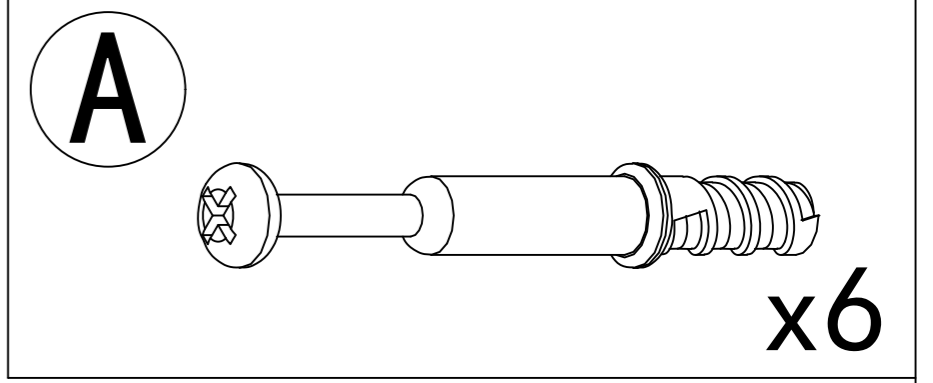
Step 102



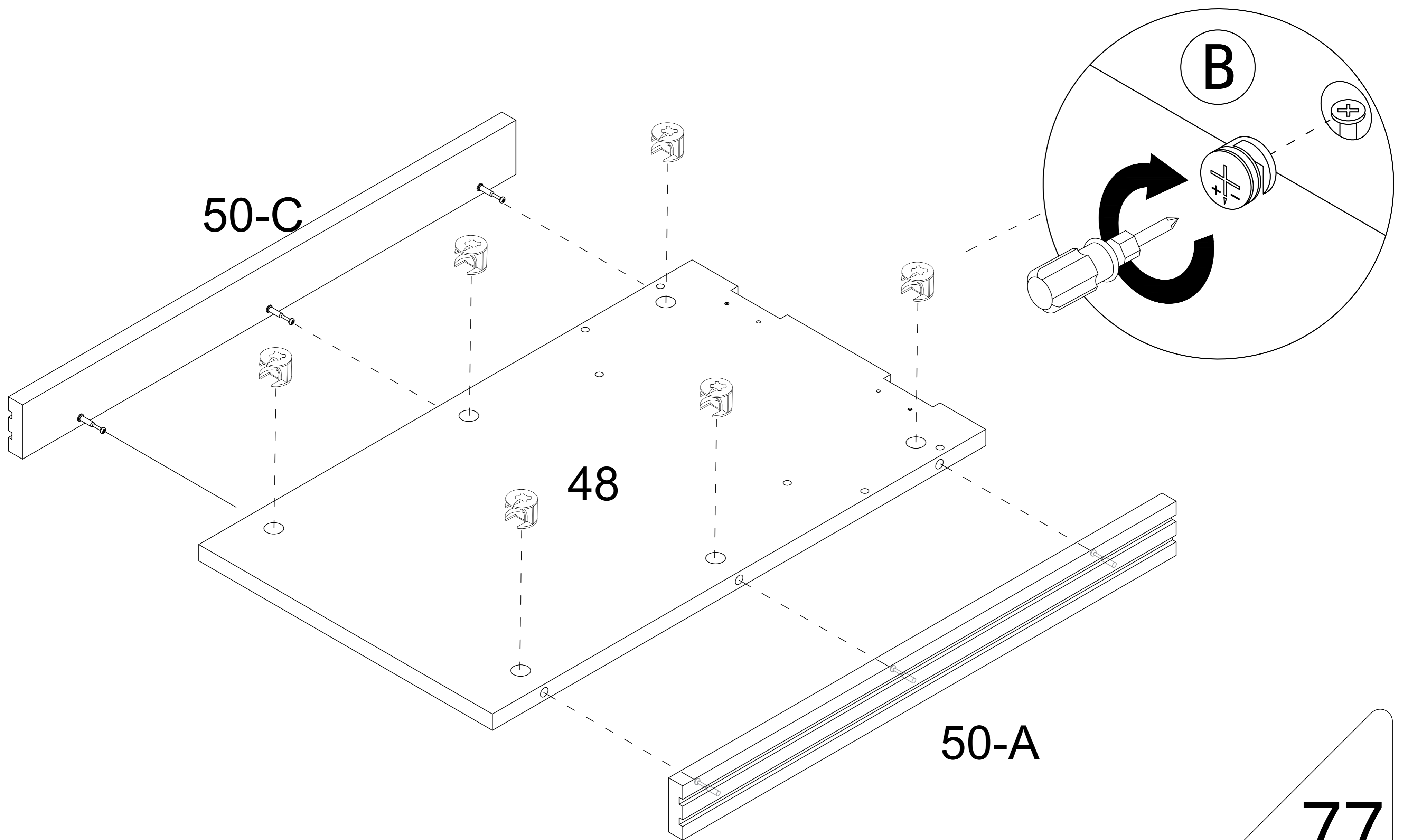
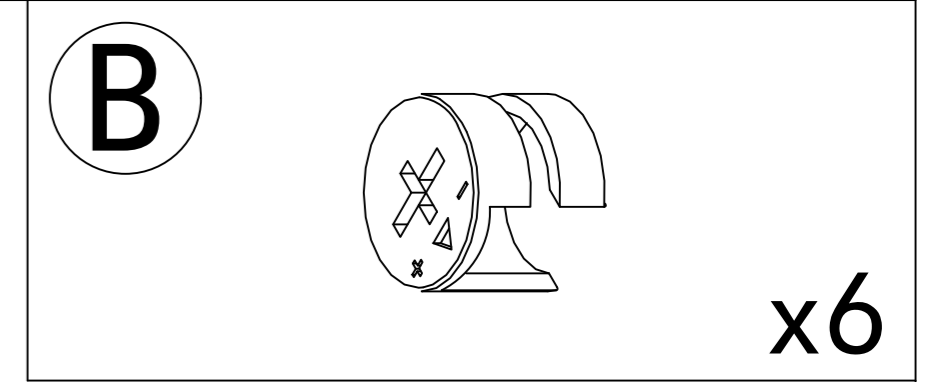
Step 103



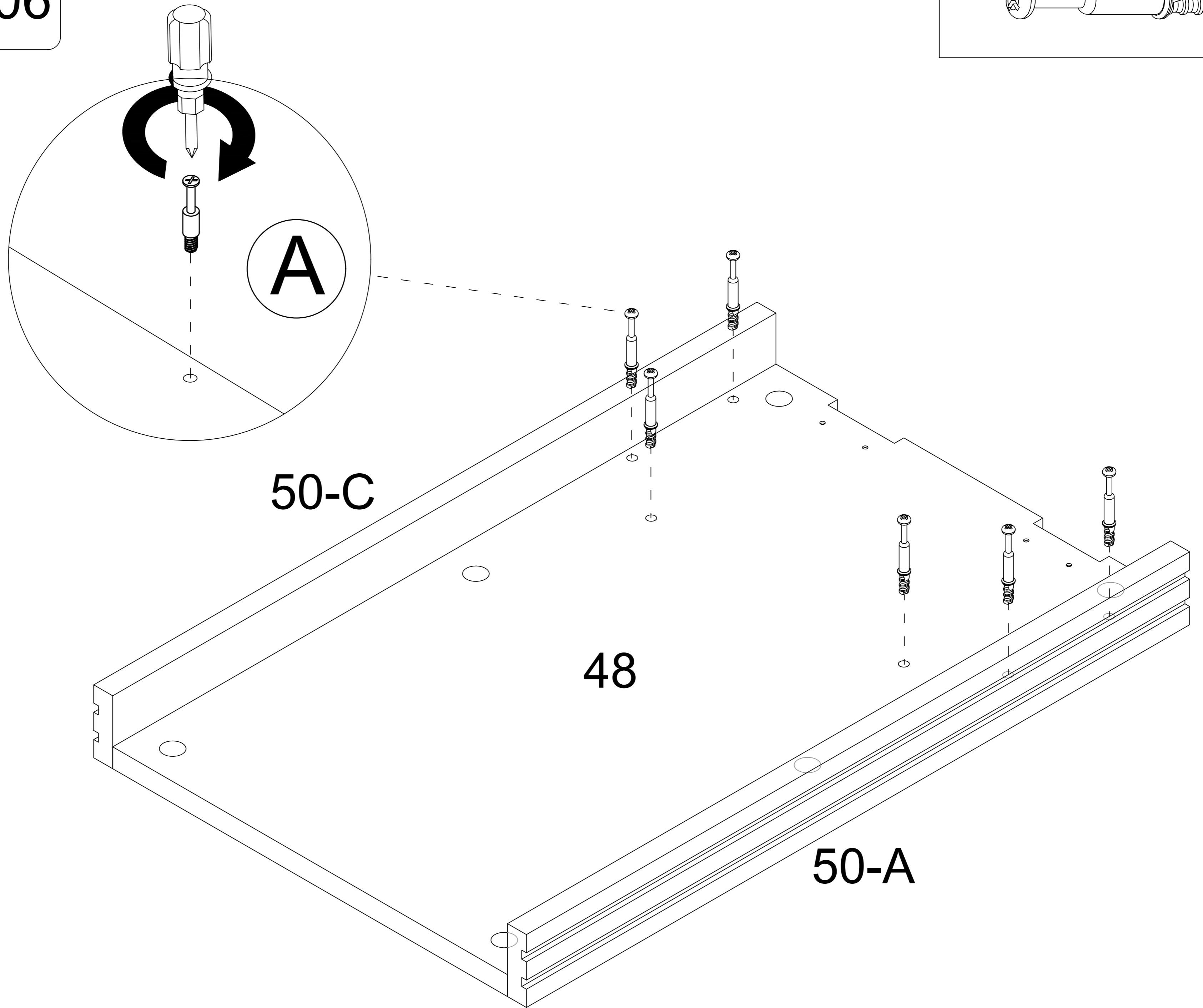
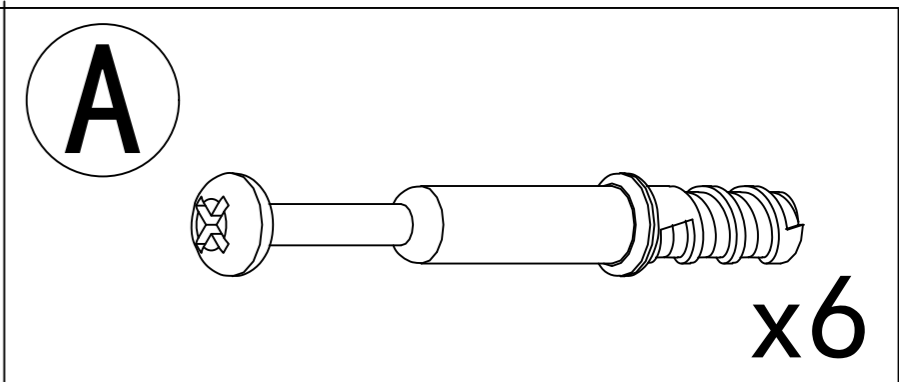
Step 104



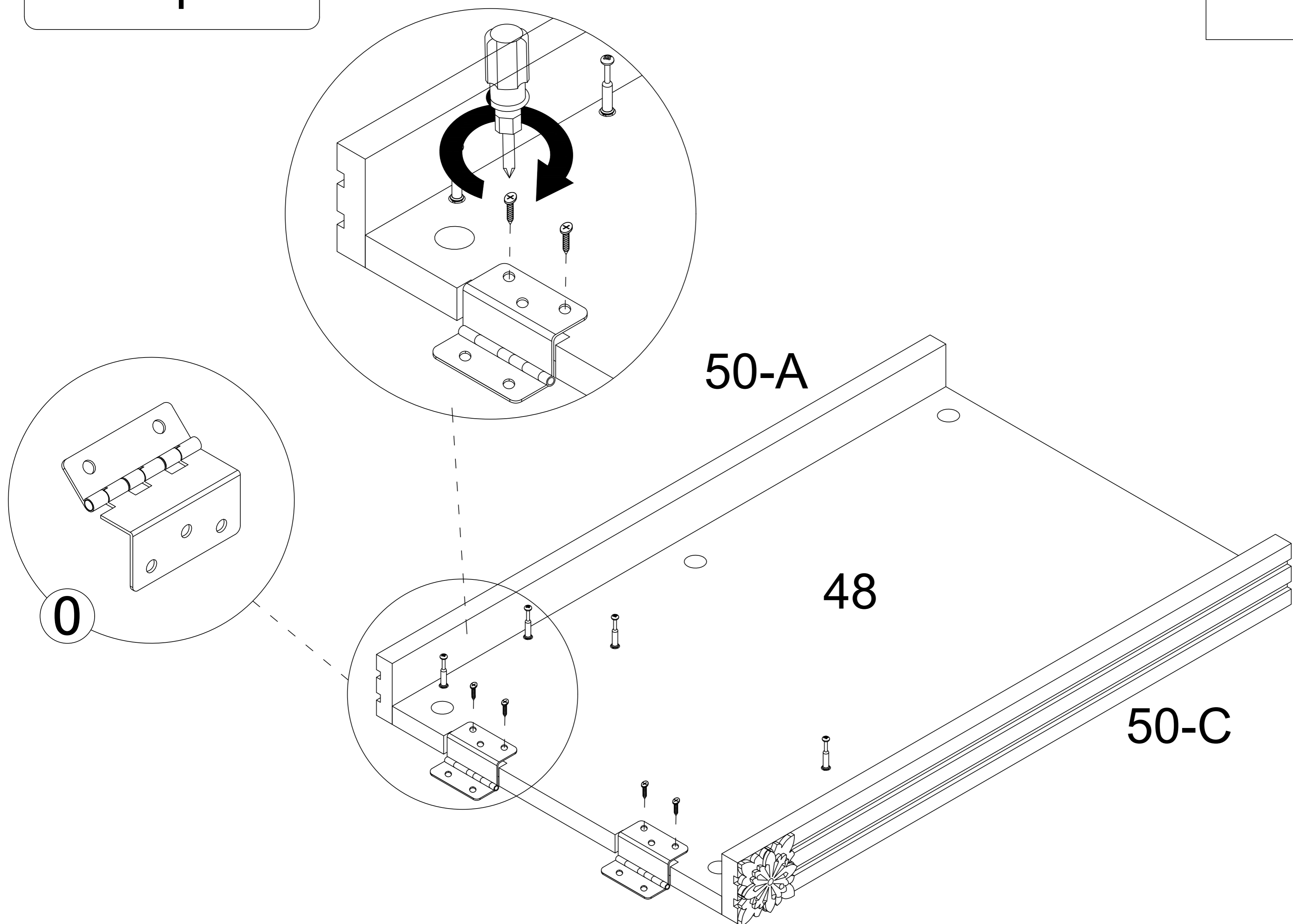
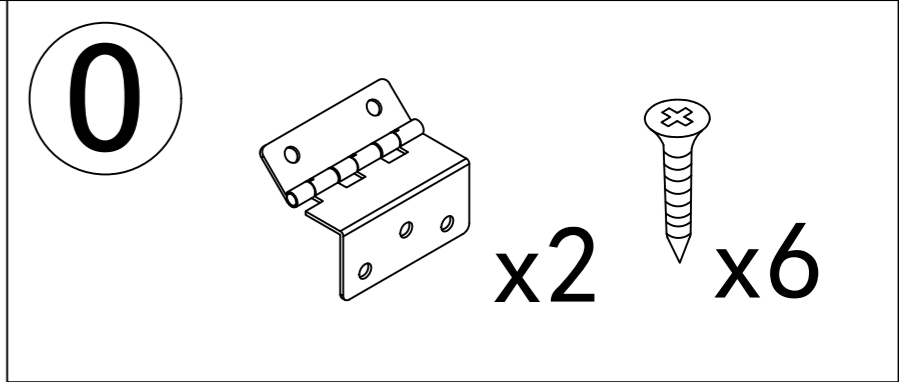
Step 105



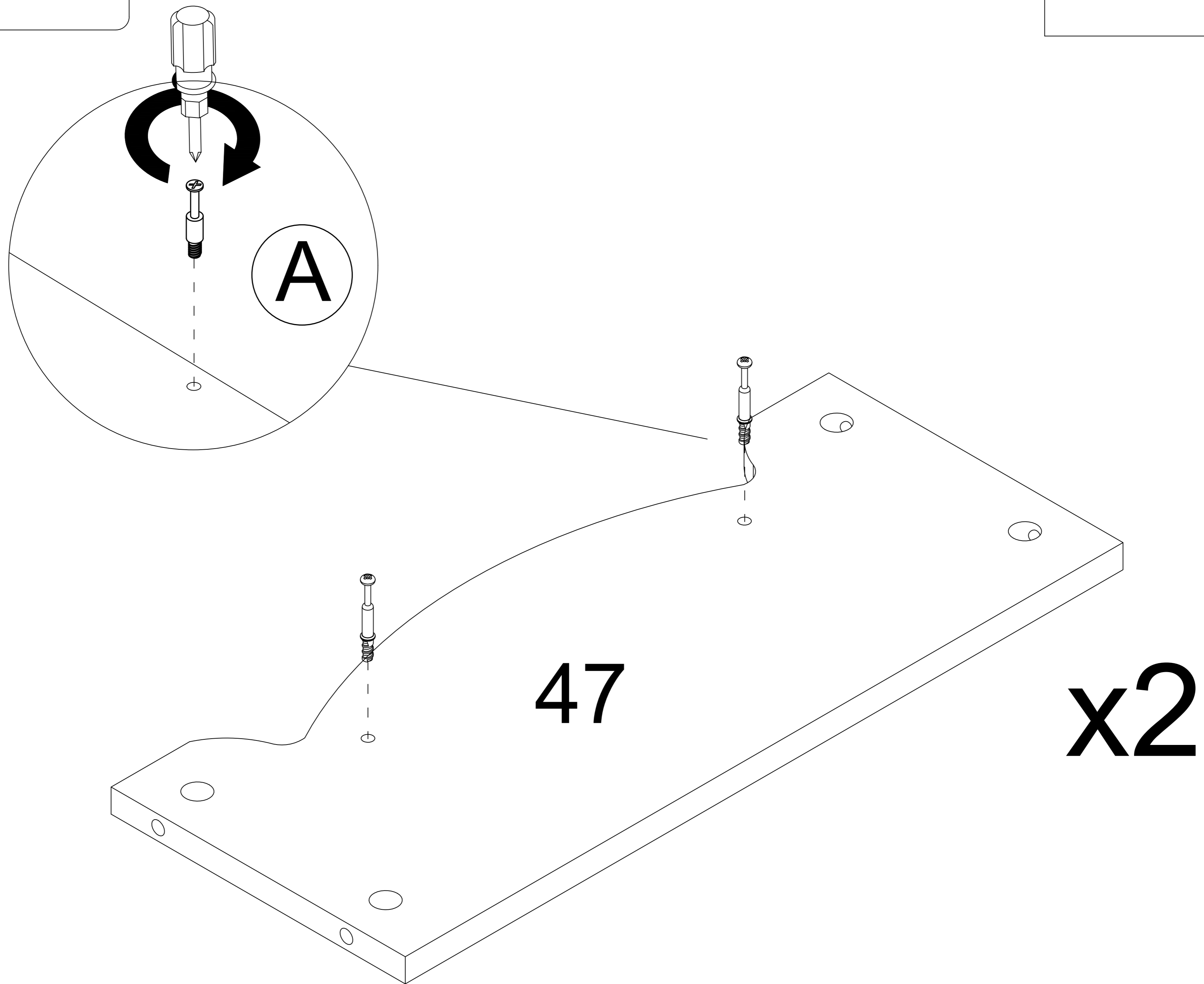
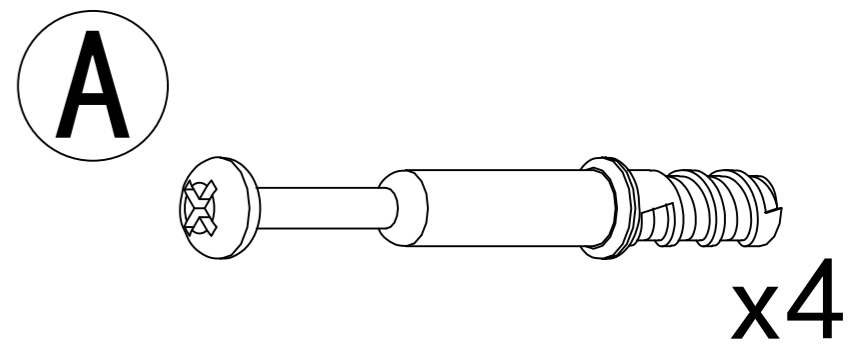
Step 106



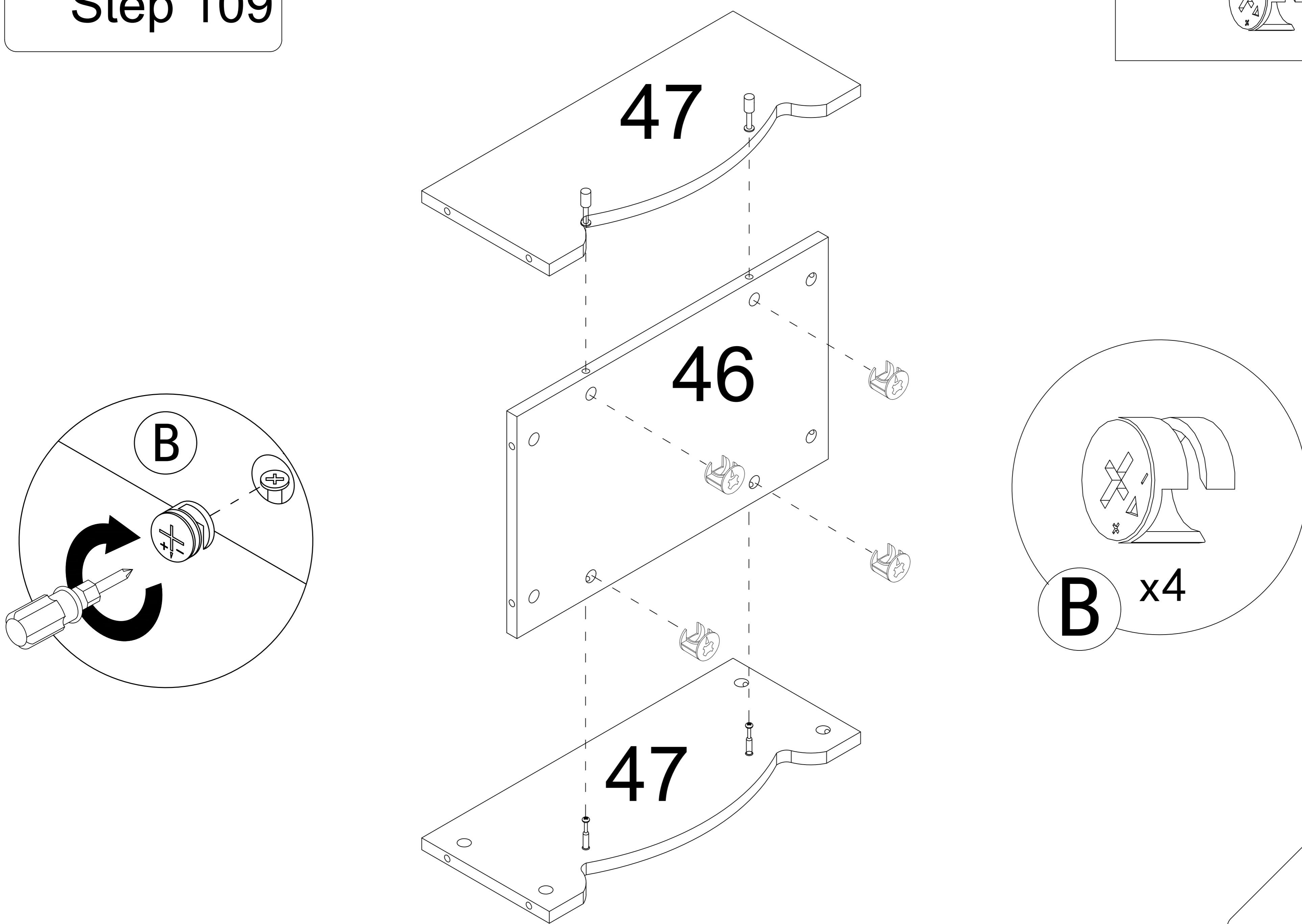
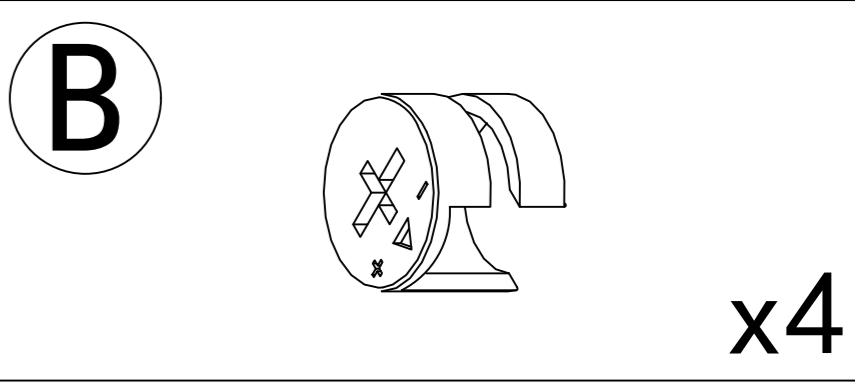
Step 107



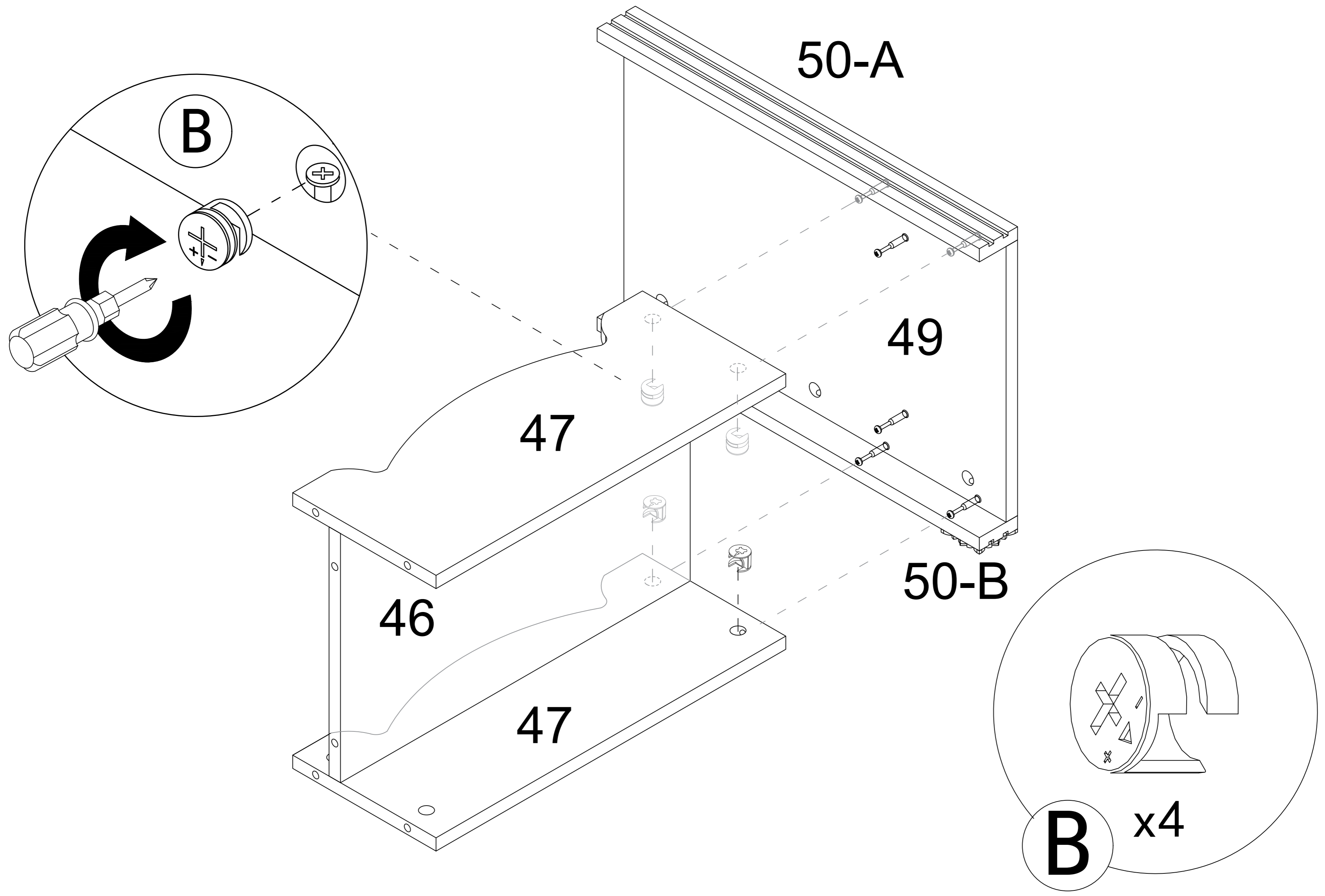
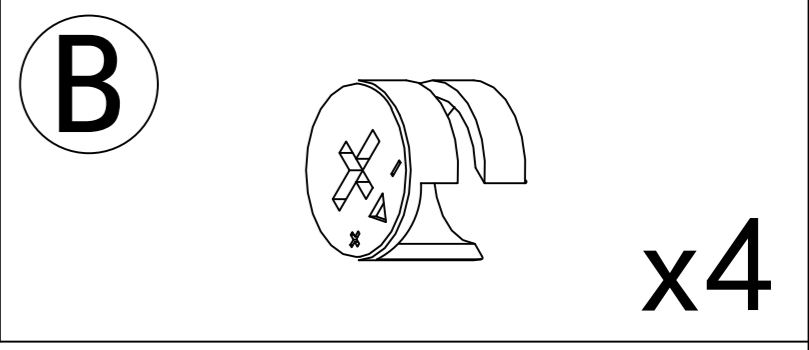
Step 108



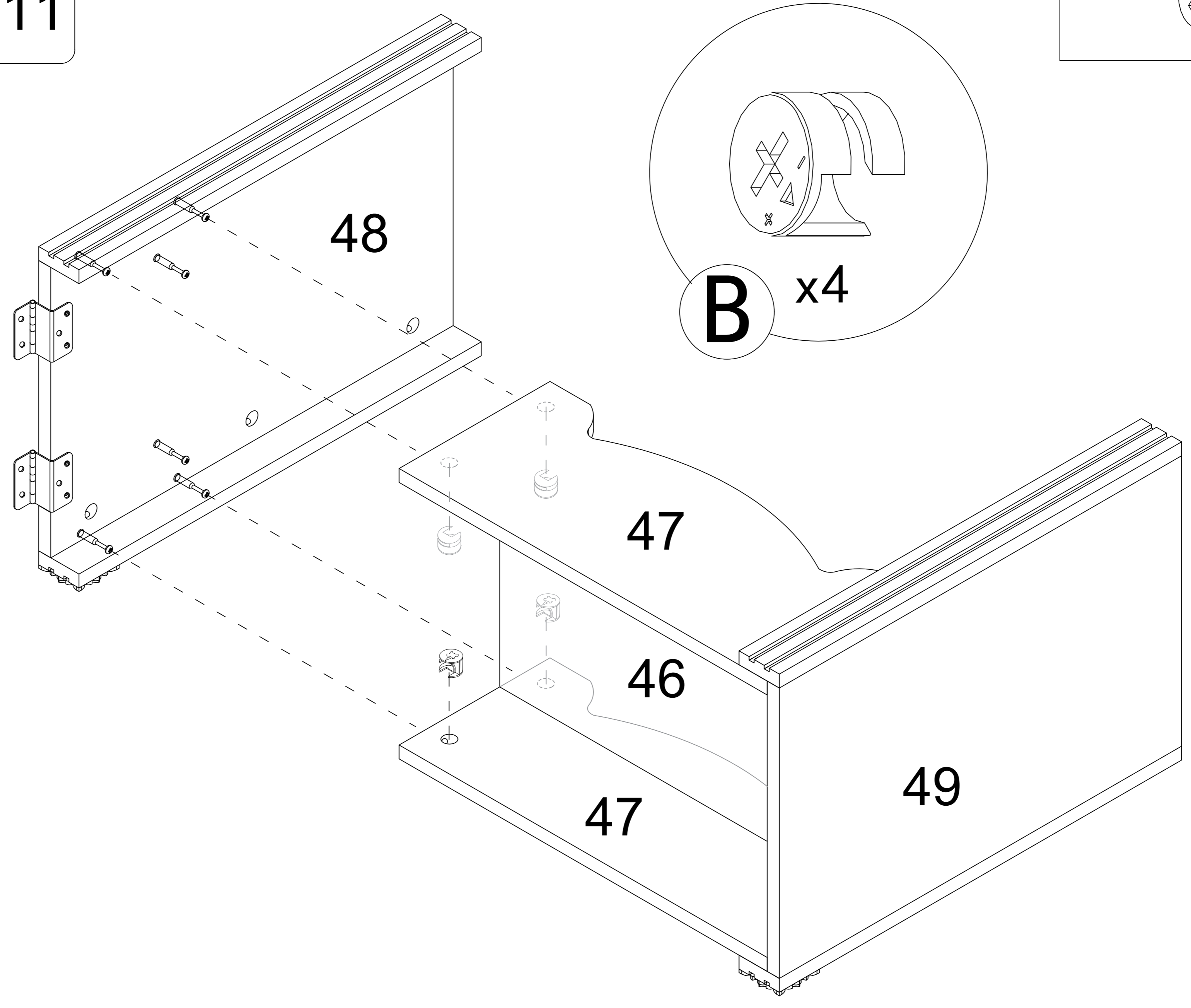
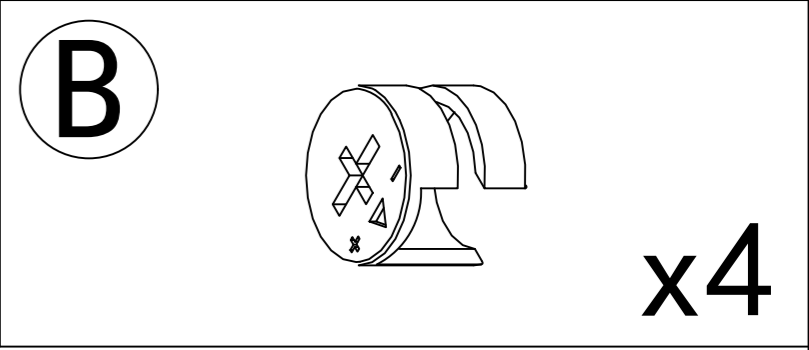
Step 109



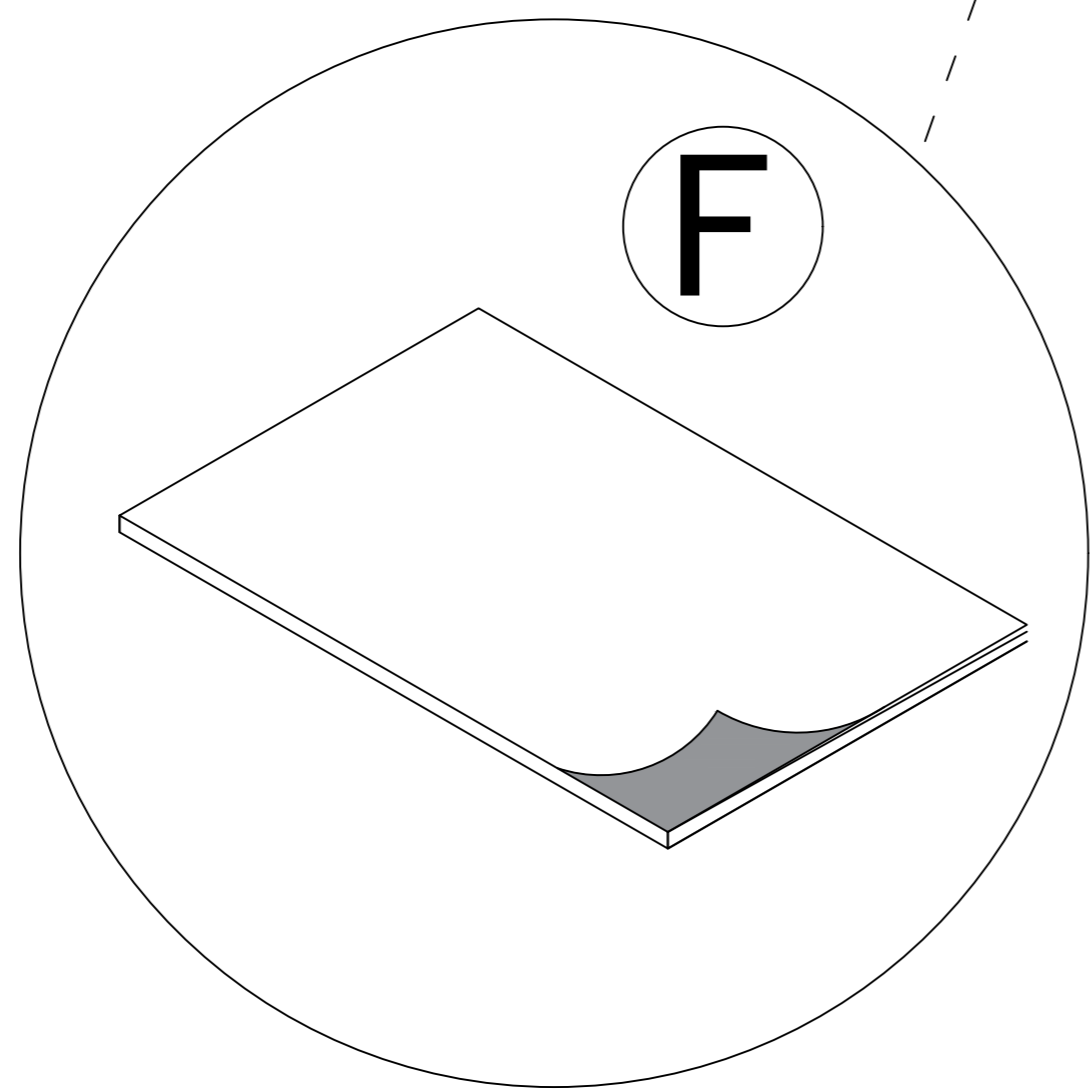
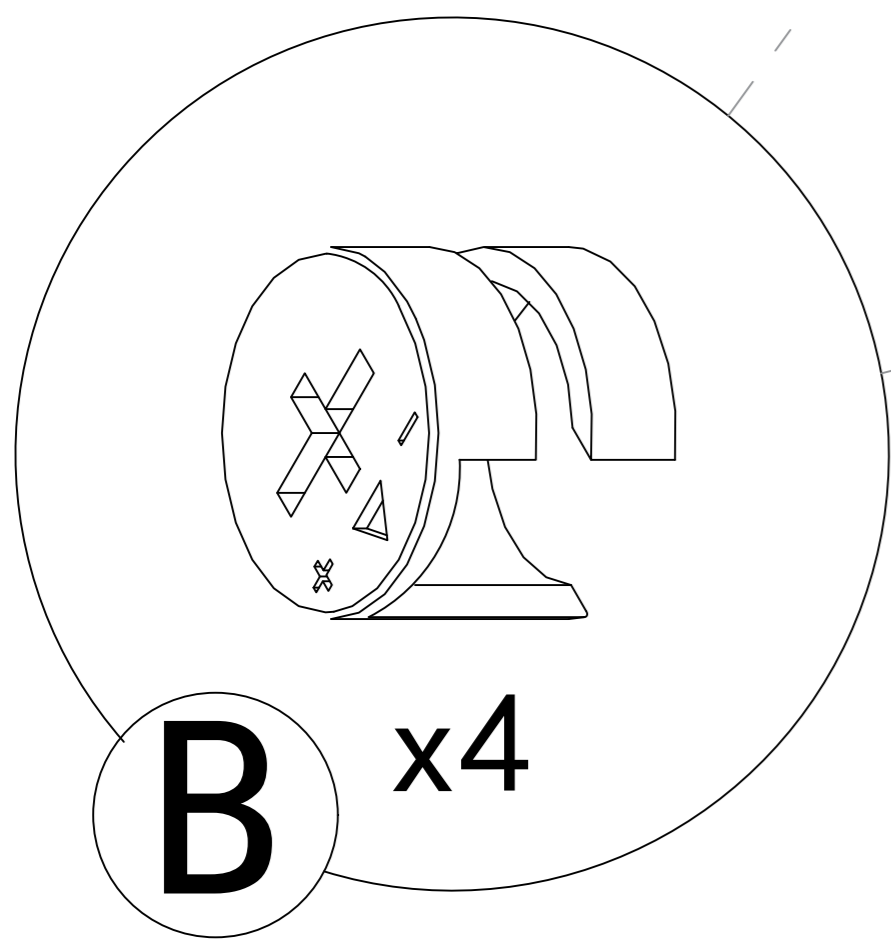
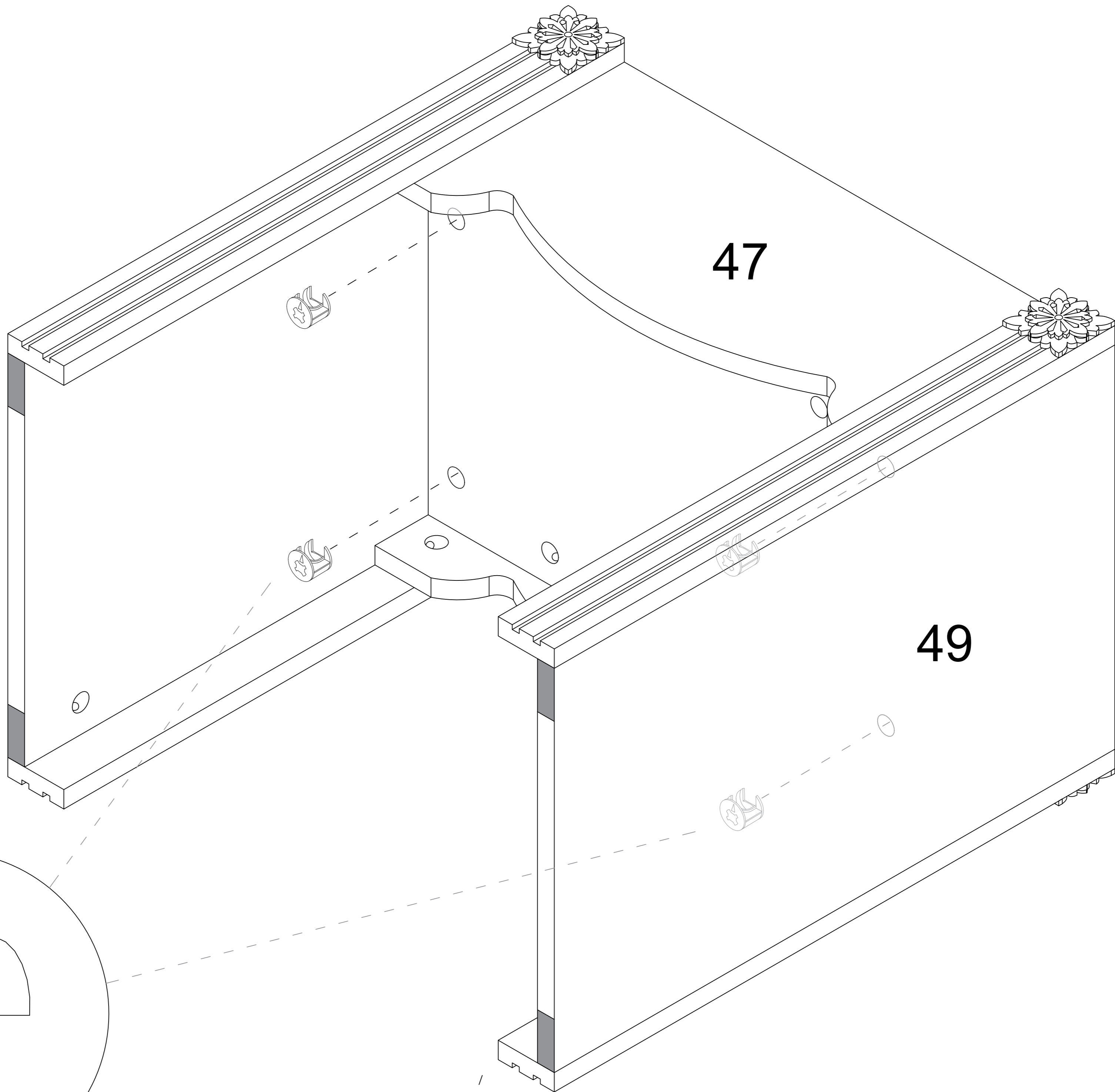
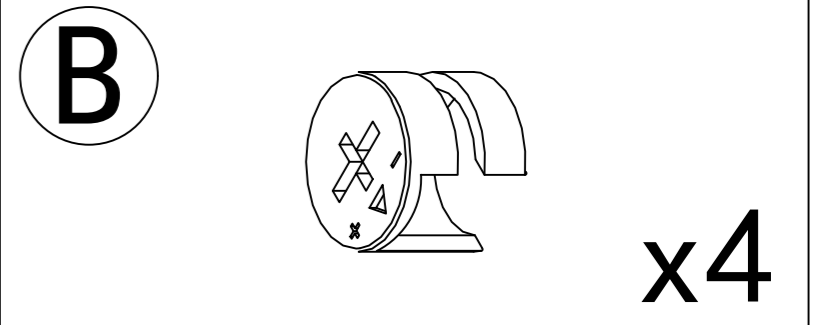
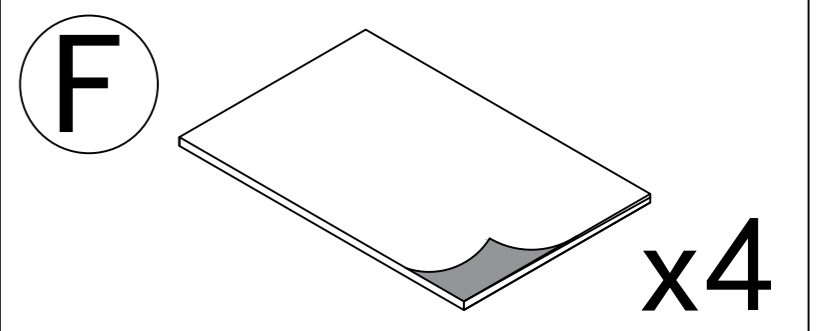
Step 110



Step 111



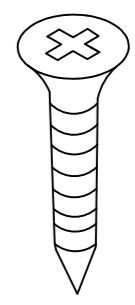
Step 112



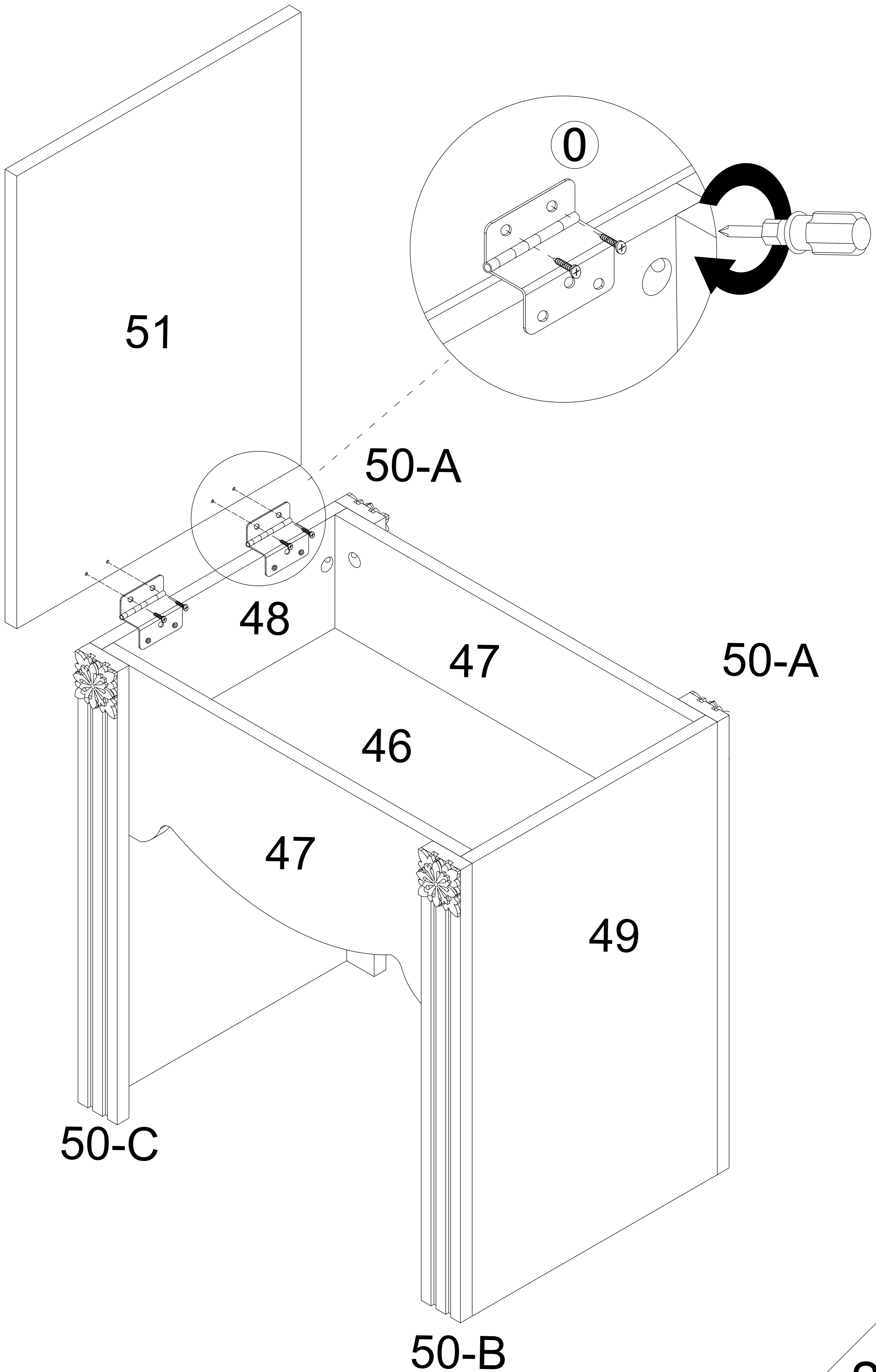
Tear off release paper and stick the black foot pad on the board

Step 113

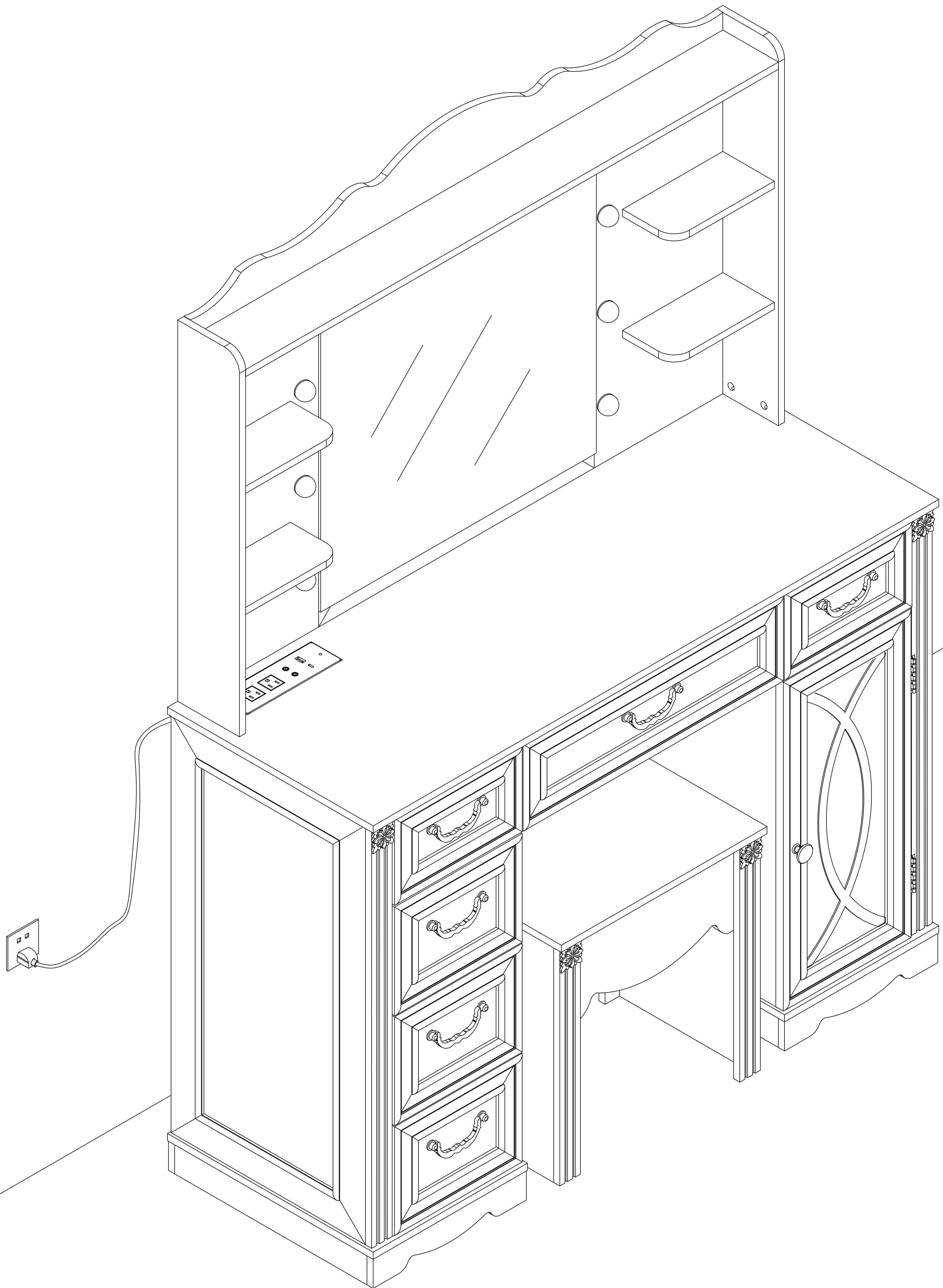
0



x4



Step 113



Thank you for purchasing this product.
Please use if the product works normally after connecting to power.

Introduction

The box is an intelligent controller.

It has 1 USB-A output port 1 Type-c output port and 2 socket.

With 2 touch buttons, it can turn. ON/OFF the light,adjust the light luminance,
and change light colors.

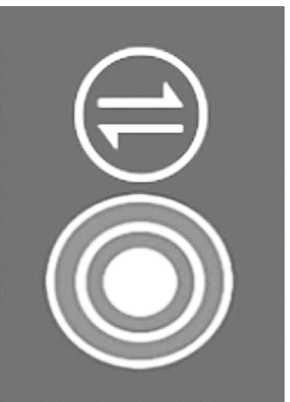


Operation



This touch button is used to turn on/off, and adjust brightness.

- A. Short touch ->lighting on ->short touch ->lighting off(It stays as it was before the last time the lights went out).
- B. Long touch -> adjust the luminance.



This touch button is used to change colors.

When the light is turned on, press this button to realize the three-color switching function ,
and this touch key is invalid when the light is not turned on.



ATTENTION PLEASE

1. If there is no touch response suddenly, Re-plug the power to reset the touch static electricity.
2. If you have any questions when installing, please feel free to contact us. Thank you.

