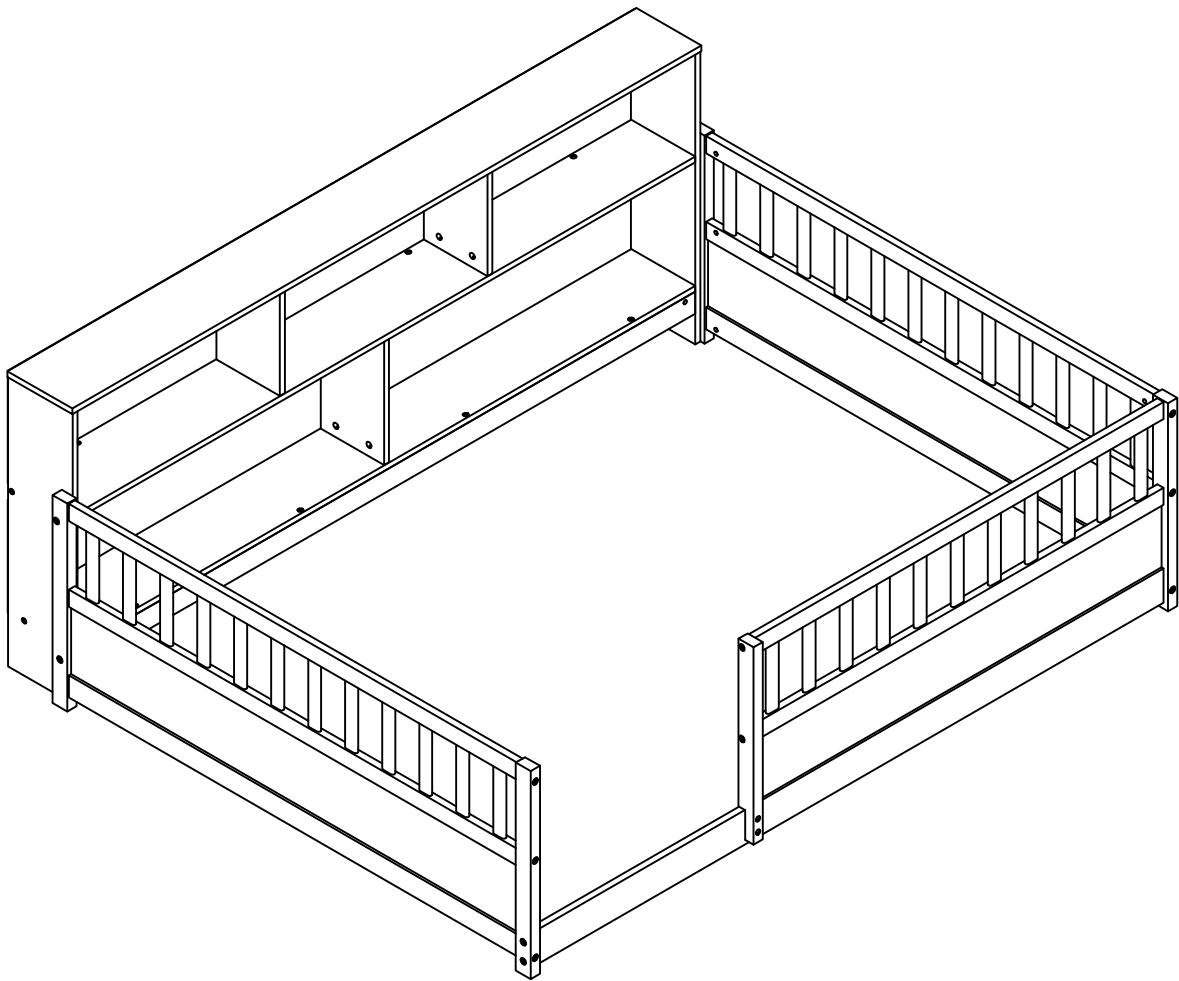


ASSEMBLY INSTRUCTIONS

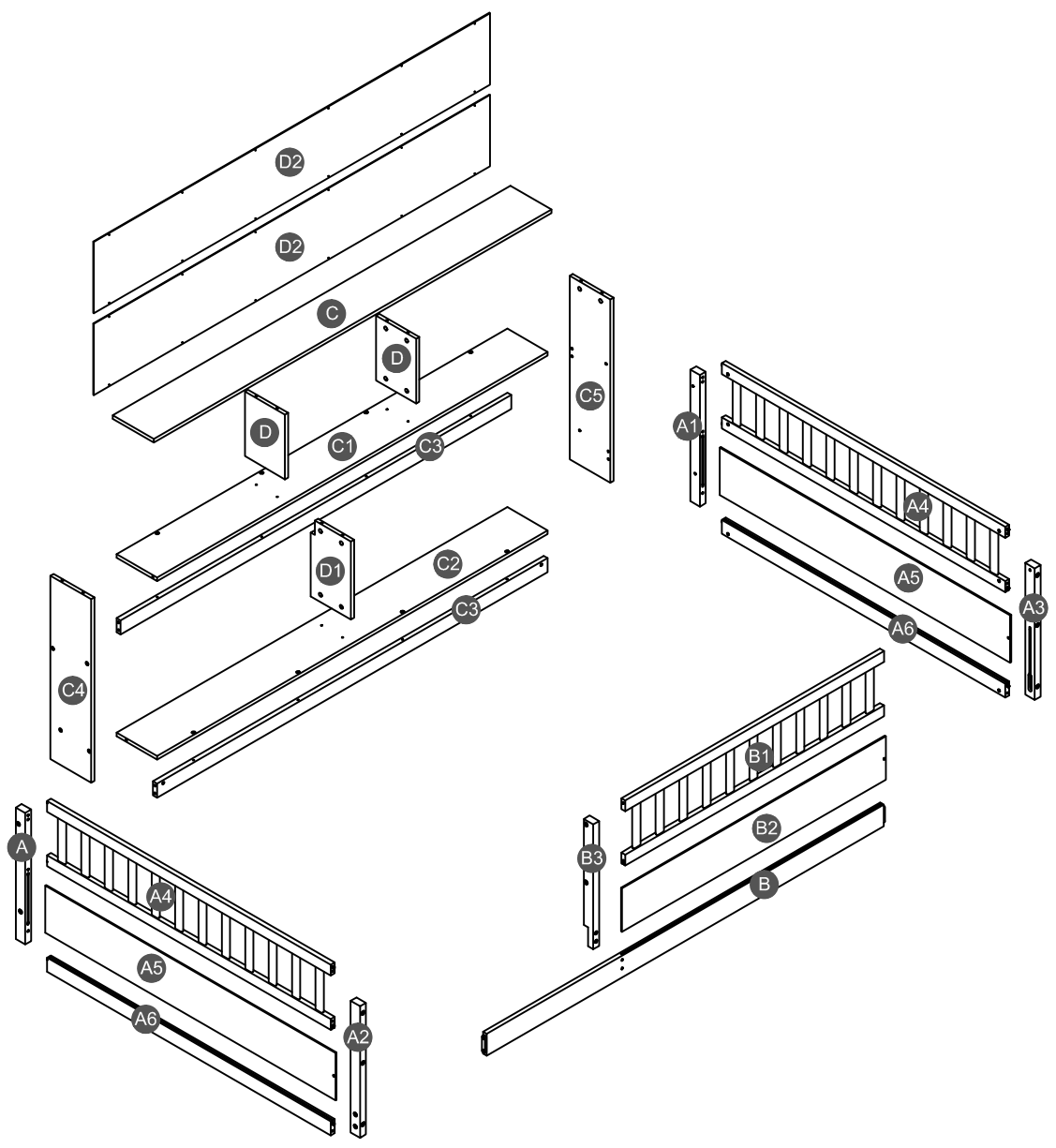
FULL BOOKCASE FLOOR BED



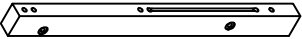
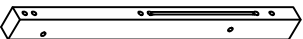
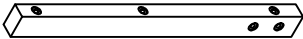
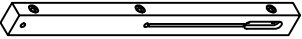
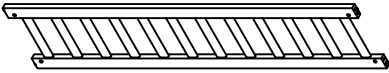



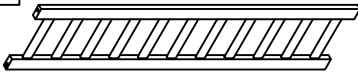
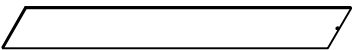
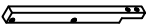
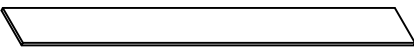


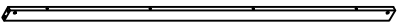

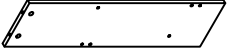

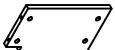
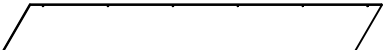
SWB029-F

Contact us: 13826959116@163.com

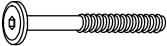
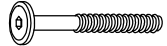






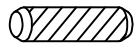

Detail View



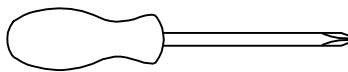
Part List

| | | |
|---|---|--|
| <p>A</p>  <p>Leg (Left Back) - 1pc</p> | <p>A1</p>  <p>Leg (Right Back) - 1pc</p> | <p>A2</p>  <p>Leg (Left Front) - 1pc</p> |
| <p>A3</p>  <p>Leg (Right Front) - 1pc</p> | <p>A4</p>  <p>Frame (HB & FB)- 2pcs</p> | <p>A5</p>  <p>Panel HB & FB - 2pcs</p> |
| <p>A5</p>  <p>Horizontal bar HB & FB - 2pcs</p> | <p>B</p>  <p>Horizontal front - 1pc</p> | <p>B1</p>  <p>Frame guard rail (Front) - 1pc</p> |
| <p>B2</p>  <p>Front panel- 1pc</p> | <p>B3</p>  <p>Support guard rail - 1pc</p> | <p>C</p>  <p>Top panel - 1pc</p> |
| <p>C1</p>  <p>Upper shelf panel - 1pc</p> | <p>C2</p>  <p>Lower shelf panel - 1pc</p> | <p>C3</p>  <p>Horizontal bar - 2pcs</p> |
| <p>C4</p>  <p>Left side panel- 1pc</p> | <p>C5</p>  <p>Right side panel -1pc</p> | <p>D</p>  <p>Upper mid panel - 2pcs</p> |
| <p>D1</p>  <p>Lower mid panel - 1pc</p> | <p>D2</p>  <p>Back panel - 2pcs</p> | |

Hardware List

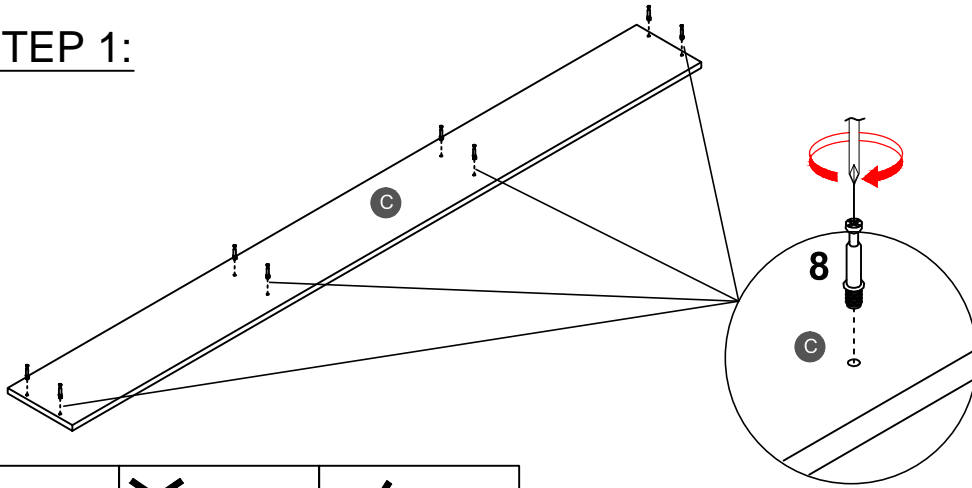
| | | |
|--|--|--|
| 1  (Ø15)1/4"*80mm Hex-Head bolts (24pcs) | 2  (Ø12)1/4"*60mm Hex-Head bolts (4pcs) | 3  (Ø12)1/4"*35mm Hex-Head bolts (2pcs) |
| 4  1/4"*15 (9.5mm) Horizontal-Hole bolts(28pcs) | 5  Ø3.5*15mm Wood screws (24pcs) | 6  (1/4")4.5*58mm Allen key (1pc) |
| 7  Ø14*9mm Cam lock(16pcs) | 8  Ø7*35mm Cam lock (16pcs) | 9  Ø8*30mm Wood dowel (4pcs) |
| 10  (Ø12)1/4"*40mm Hex-Head bolts (8pcs) | | |

ASSEMBLY TOOLS REQUIRED (NOT INCLUDED)

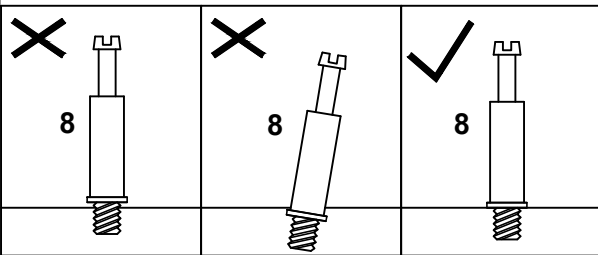


PLEASE BE CAREFUL DO NOT DAMAGE THE HOLE POSITION WHEN YOU USE POWER TOOLS !

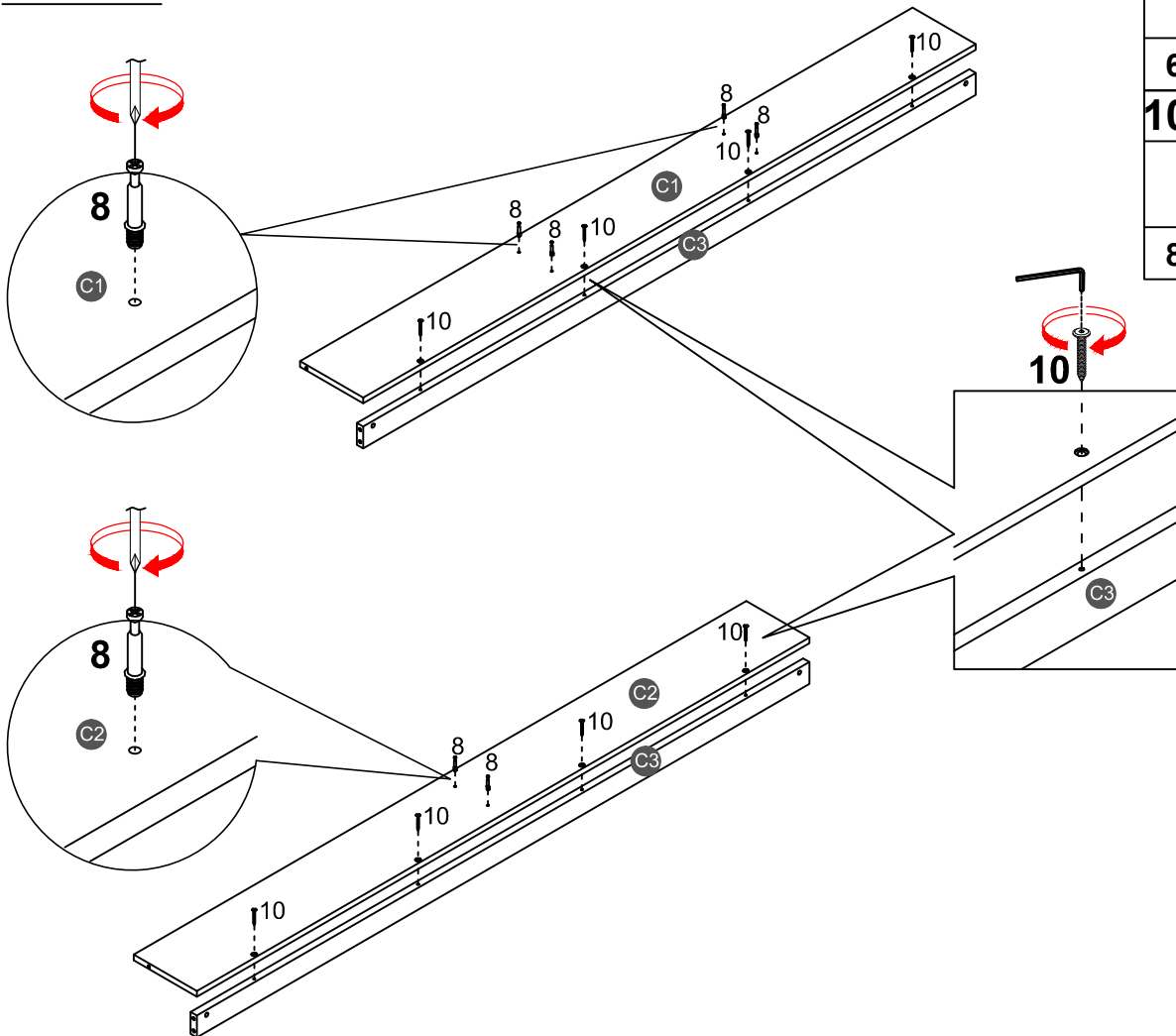
STEP 1:



8
8PCS

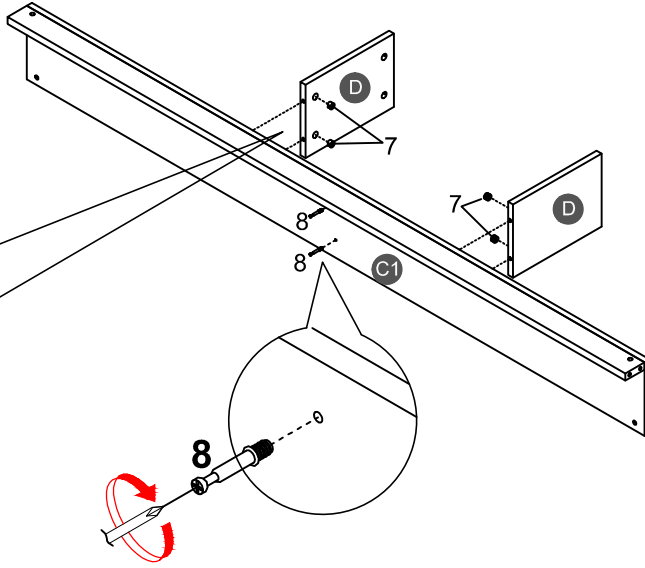
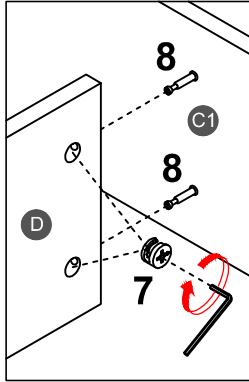


STEP 2:



8
6PCS
10
8PCS

STEP 3:



7

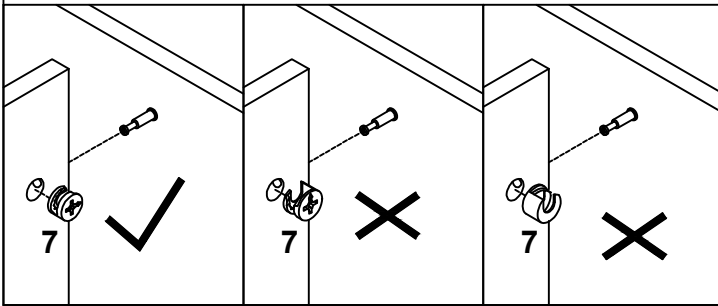


4PCS

8

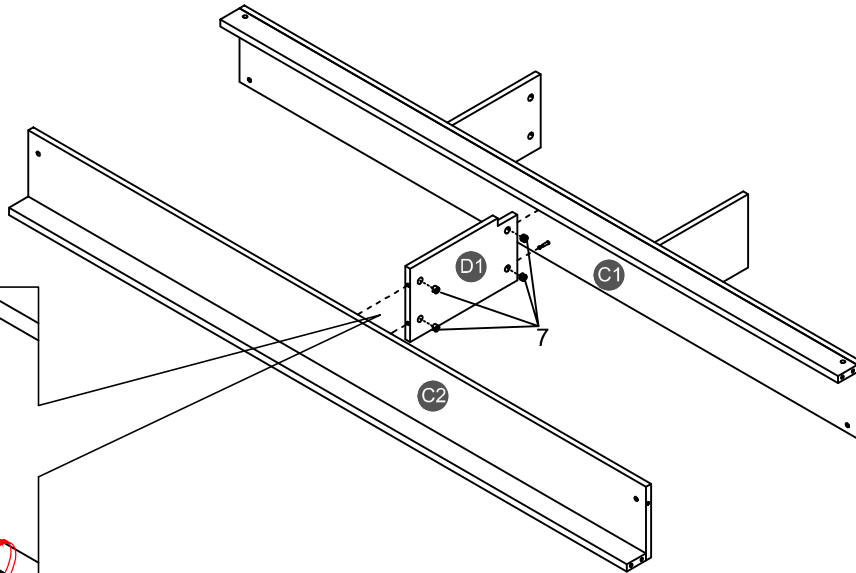
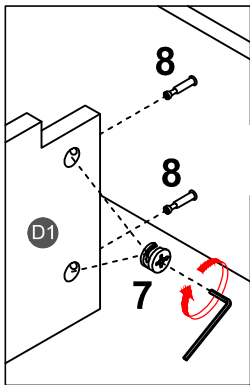


2PCS



Note: Place hardware #7 with the "X" face outward, and make sure that the arrowhead is upward. Then, place hardware #7 into the hole of hardware #8 and tighten it clockwise with a hand screwdriver. (Please do NOT use an electric screwdriver.)

STEP 4:






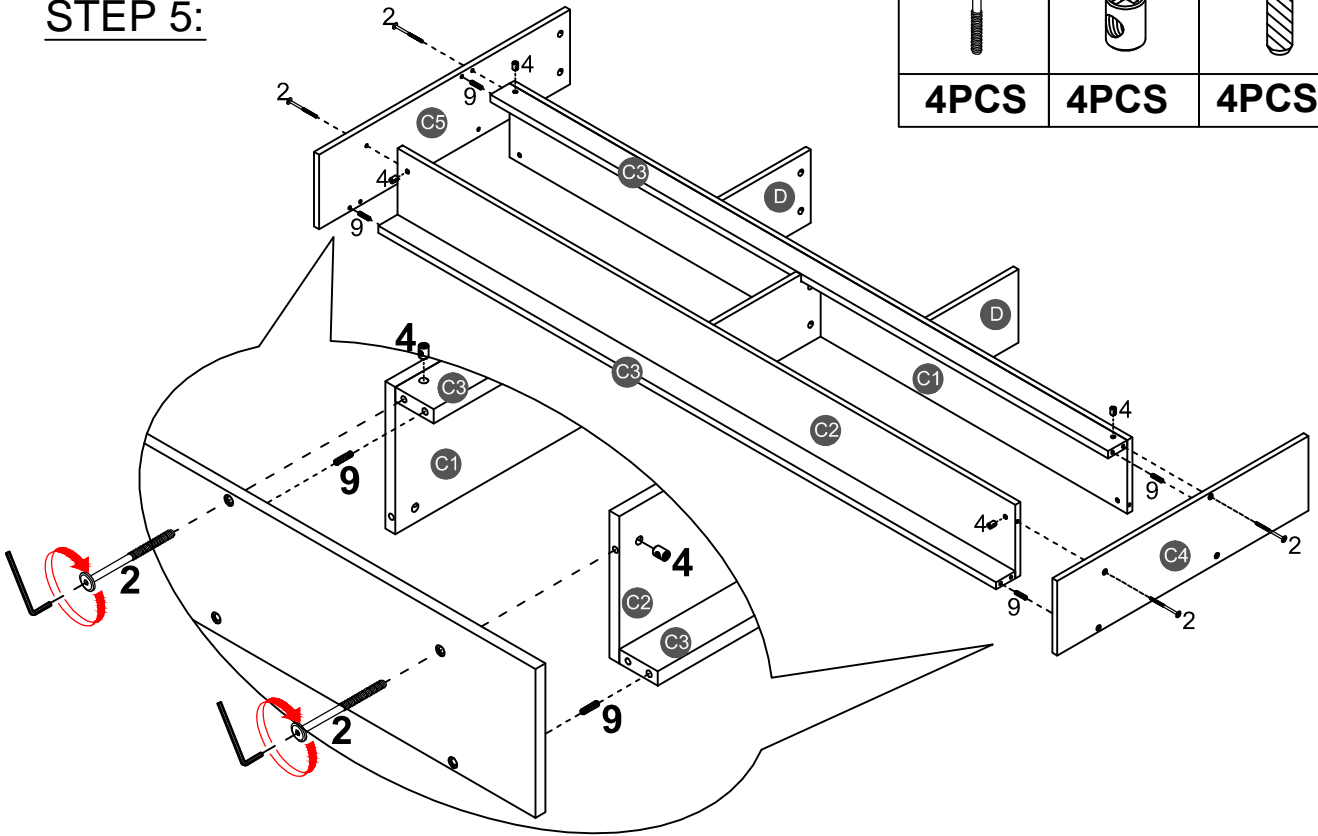
7



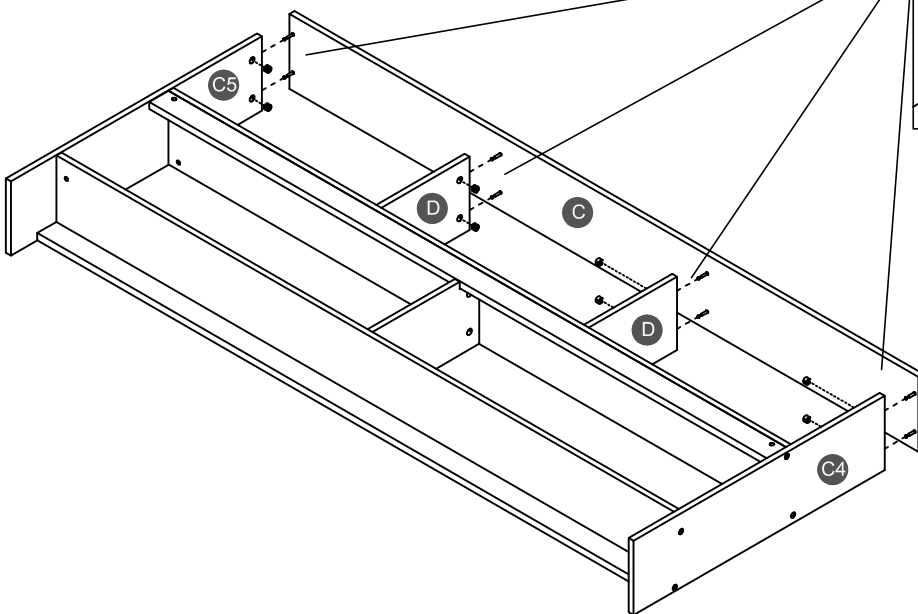
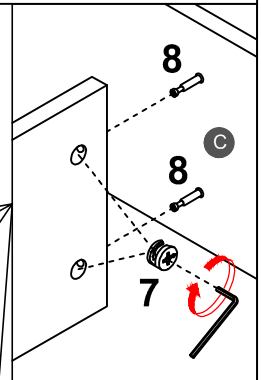
4PCS


STEP 5:

| | | | | | |
|-------------|---|-------------|---|-------------|---|
| 2 |  | 4 |  | 9 |  |
| 4PCS | | 4PCS | | 4PCS | |



STEP 6:



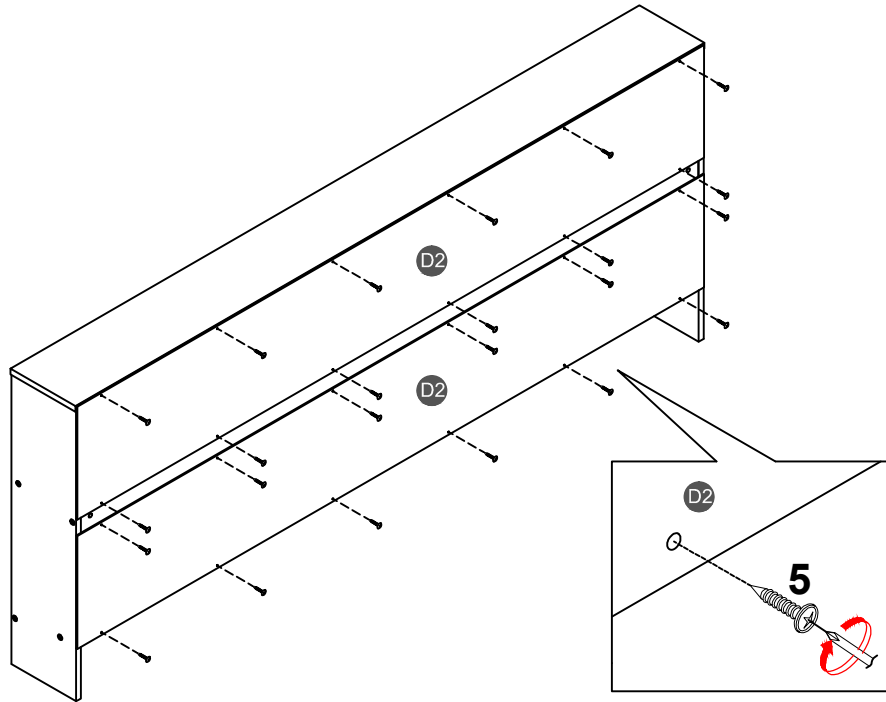
| | |
|-------------|---|
| 7 |  |
| 8PCS | |

STEP 7:

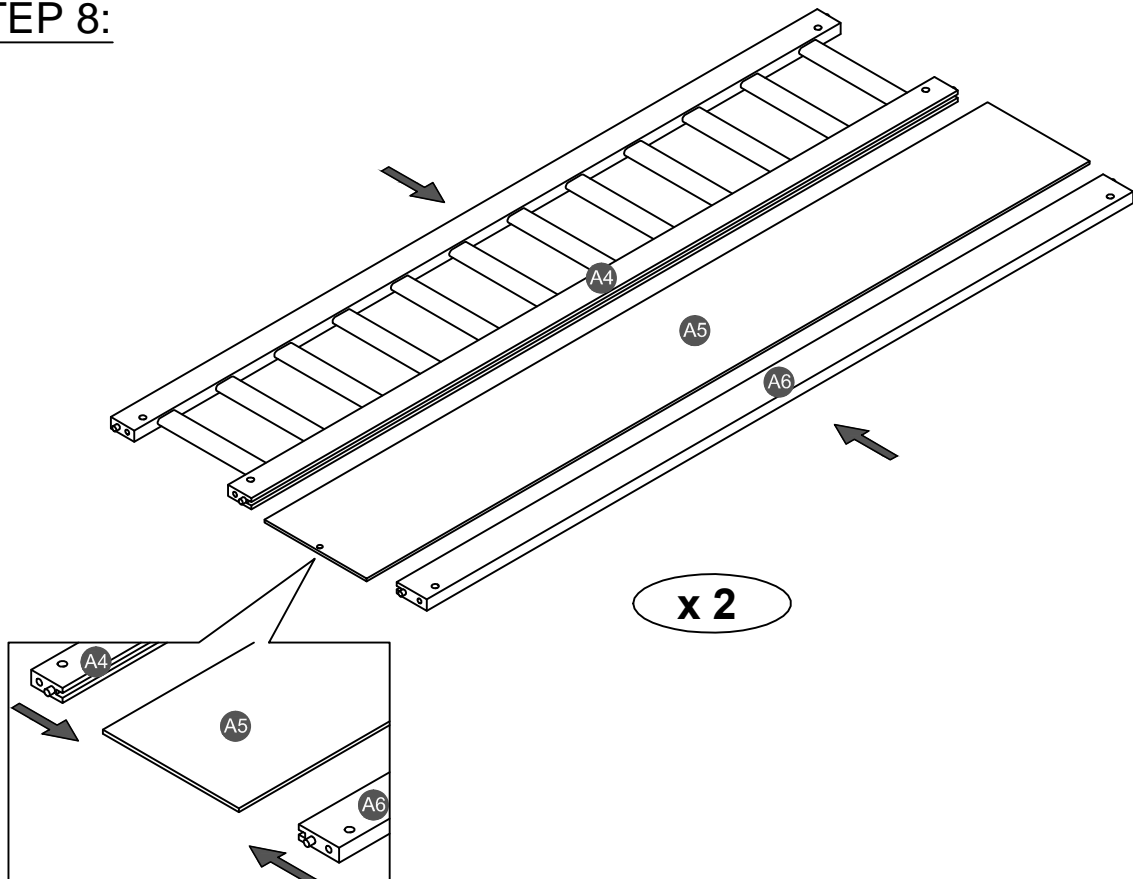
5



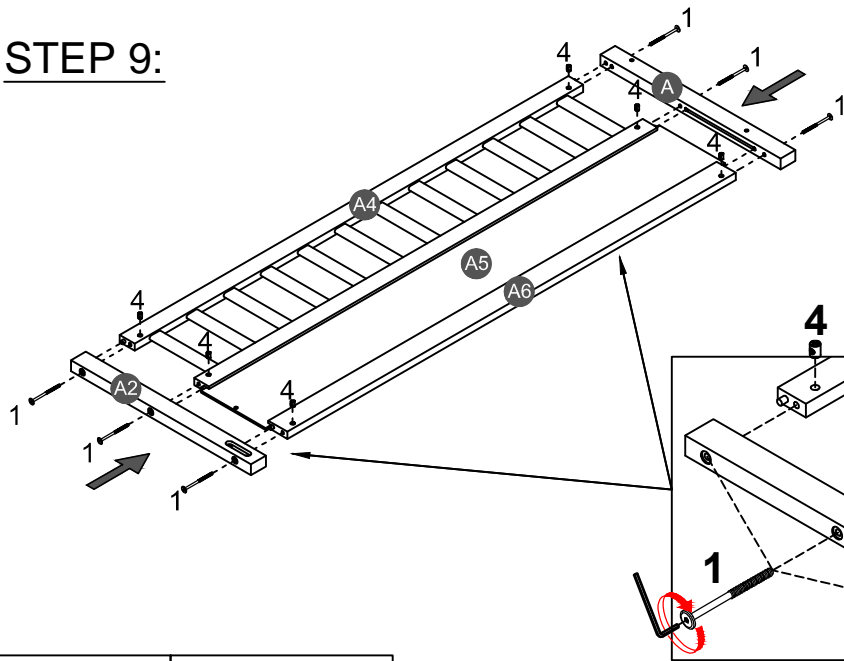
x24



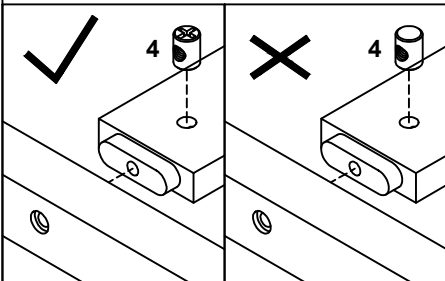
STEP 8:



STEP 9:

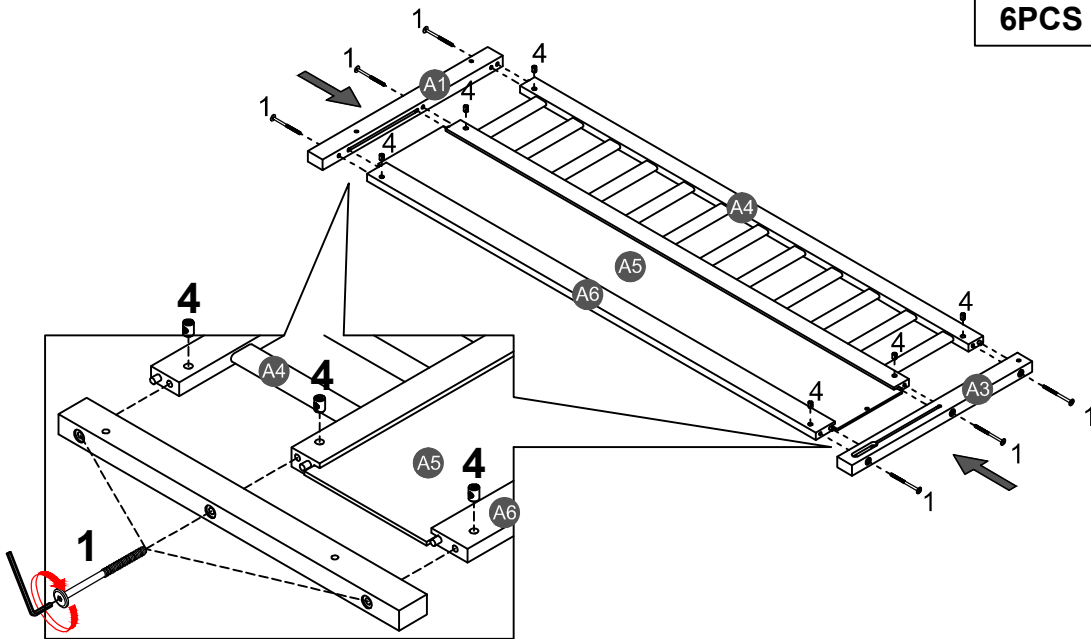


| | | | |
|-------------|--|-------------|--|
| 1 | | 4 | |
| 6PCS | | 6PCS | |





Note: Part 4 will face up with the "x" mark on it, otherwise it cannot be tightened

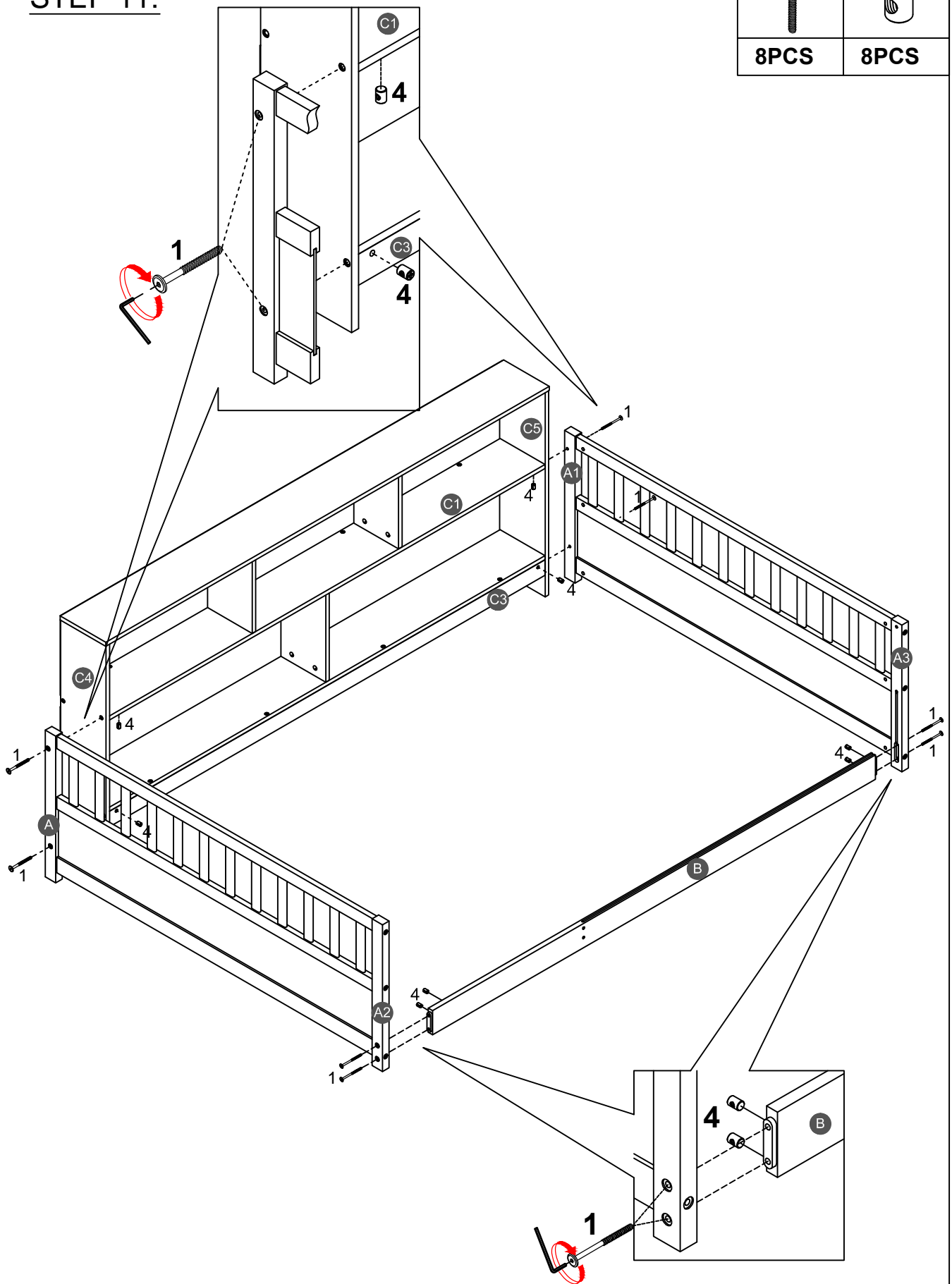
STEP 10:





| | | | |
|-------------|--|-------------|--|
| 1 | | 4 | |
| 6PCS | | 6PCS | |

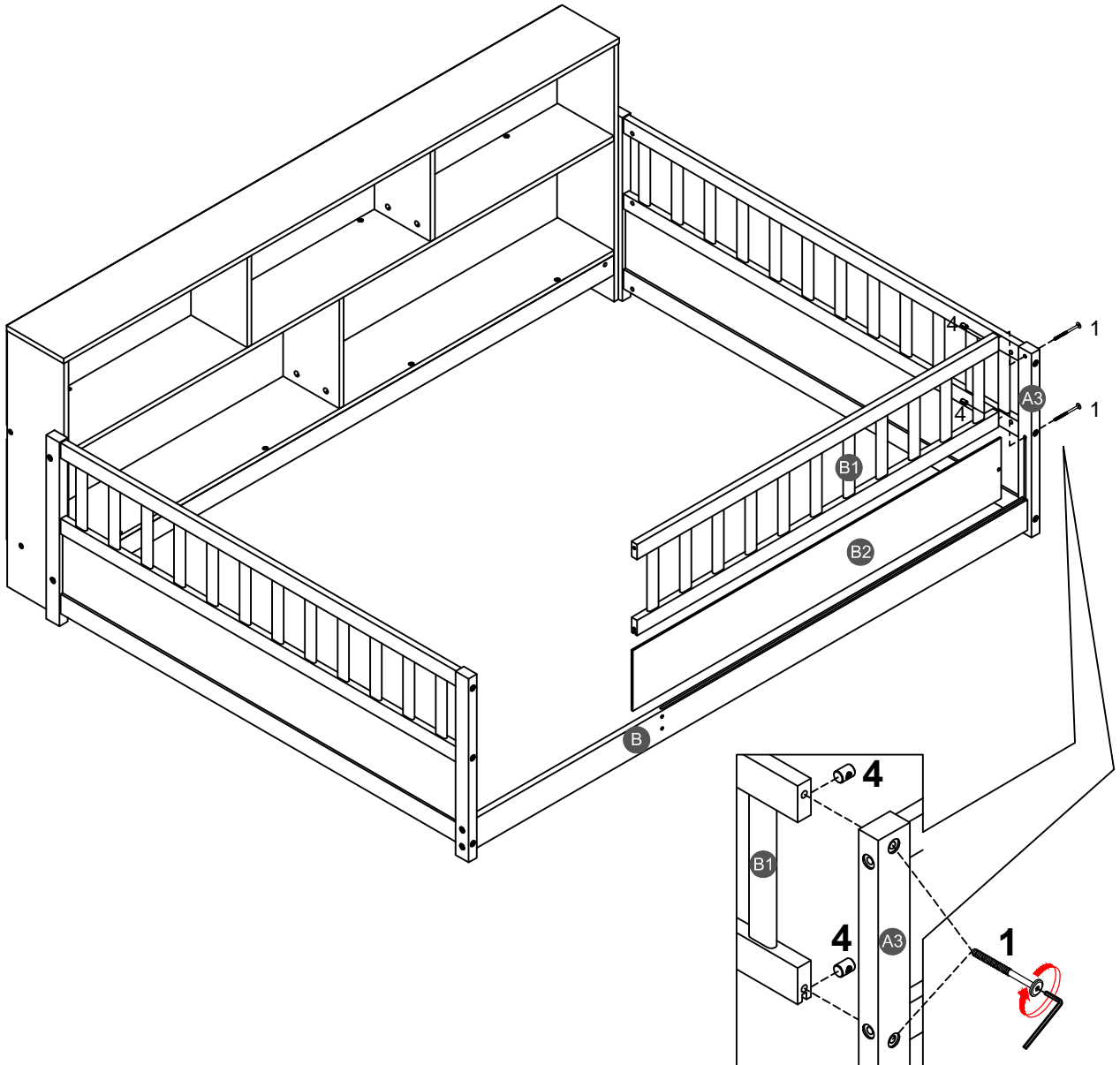
STEP 11:

| | | | |
|-------------|---|-------------|---|
| 1 |  | 4 |  |
| 8PCS | | 8PCS | |






STEP 12:

| | | | |
|-------------|---|-------------|---|
| 1 |  | 4 |  |
| 2PCS | | 2PCS | |



STEP 13:

| | | |
|---|---|---|
| 1  | 3  | 4  |
| 2PCS | 2PCS | 2PCS |

