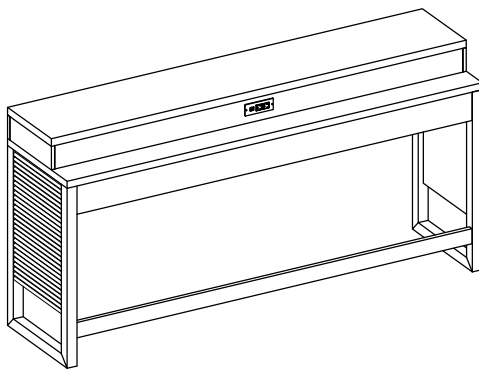
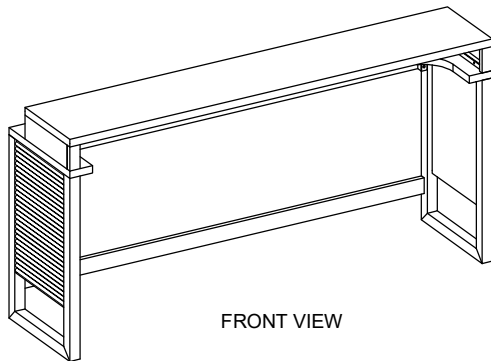


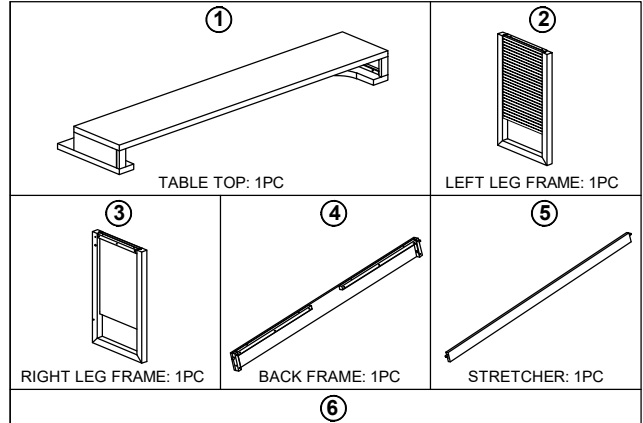
# ASSEMBLY INSTRUCTION

## DESCRIPTION: CONSOLE BAR TABLE

Thank you for purchasing this quality product. Be sure to check all packing material carefully for small parts which may have come loose inside the carton during shipment. Identify and count all parts and compare with the parts list below:

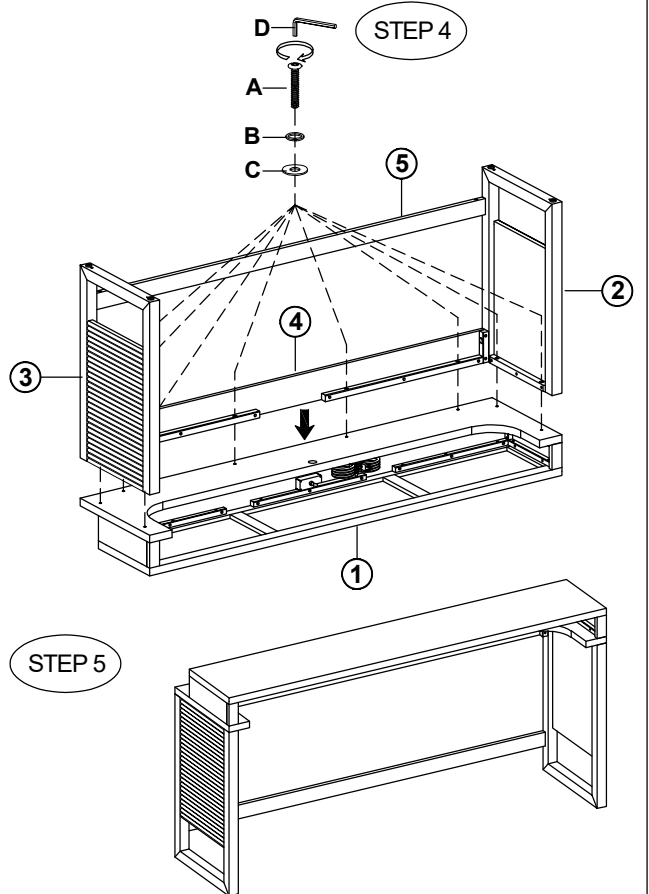
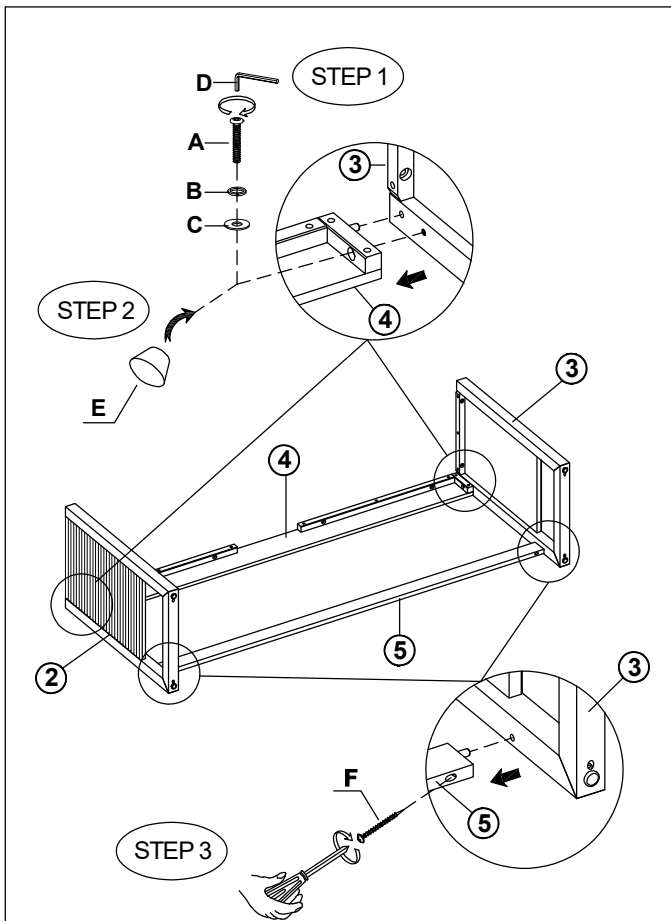


### PARTS LIST:



### HARDWARE LIST Spring Washer (Ø1/4")

NO.	Drawing	Description	Q'ty
A		Bolt (Ø1/4"x1-1/2")	10pcs
B		Spring Washer (Ø1/4")	10pcs
C		Flat Washer (Ø1/4"x16mm)	10pcs
D		Allen Key (4mm)	1pc
E		Wooden Cap (Ø20x8mm)	2pcs
F		Wood Screw (Ø8x2")	2pcs



### CLEANING INSTRUCTION

Clean the Console Bar Table surface with a furniture polish and soft cloth.