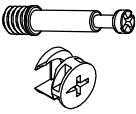





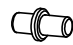



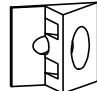

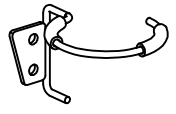


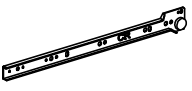
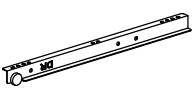
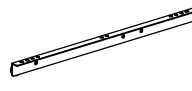
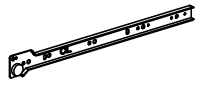
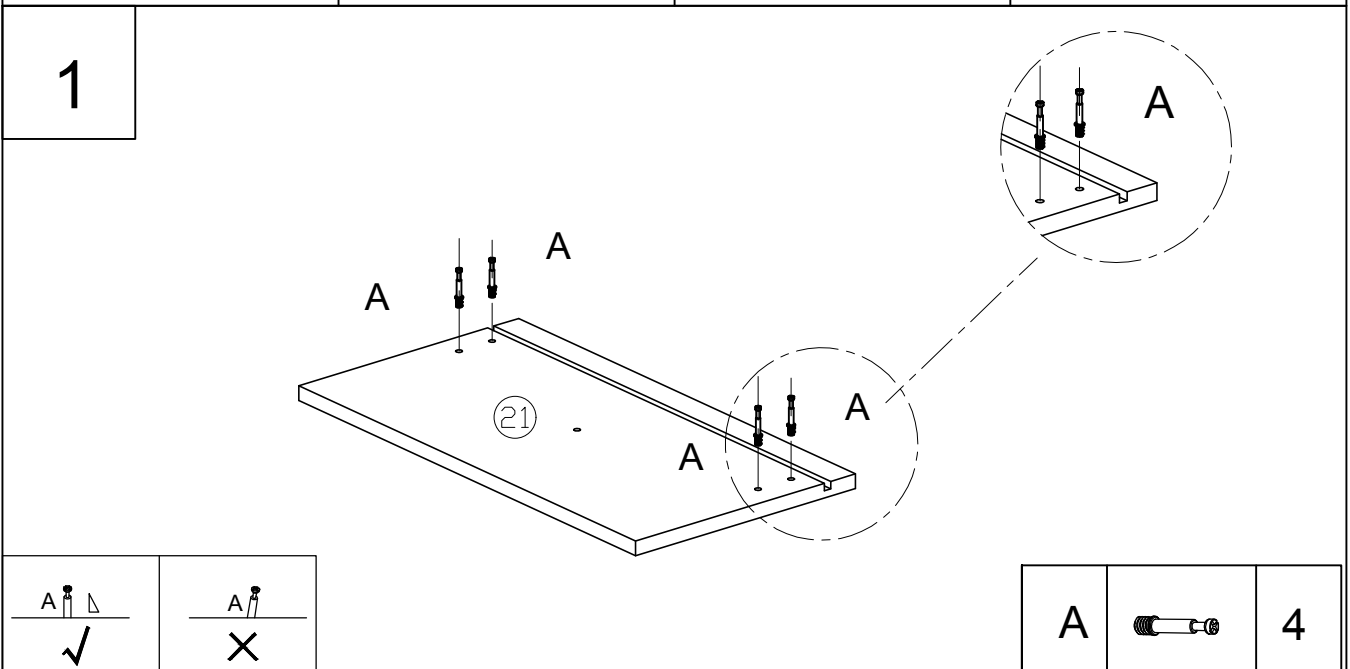
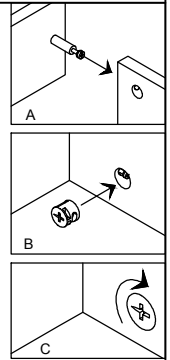
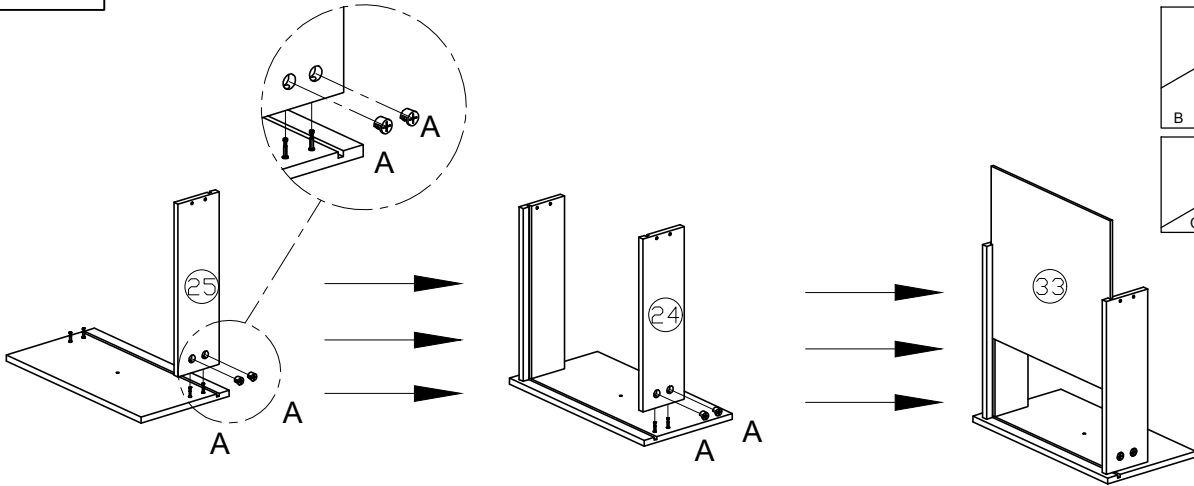



# P3

<b>A</b>  68PCS	<b>B</b>  M4*30 26PCS	<b>C</b>  M4*12 44PCS	<b>D</b>  Ø6*30 4PCS
<b>E</b>  M4*16 1PCS	<b>F</b>  5PCS	<b>G</b>  4PCS	<b>H</b>  2PCS
<b>I</b>  M4*12 4PCS	<b>J</b>  M3*12 4PCS	<b>K</b>  4PCS	<b>L</b>  1PCS
<b>M</b>  1PCS	<b>N</b>  2PCS	<b>O</b>  M3*20 4PCS	
<b>CR</b>  2PCS	<b>DR</b>  2PCS	<b>DL</b>  2PCS	<b>CL</b>  2PCS

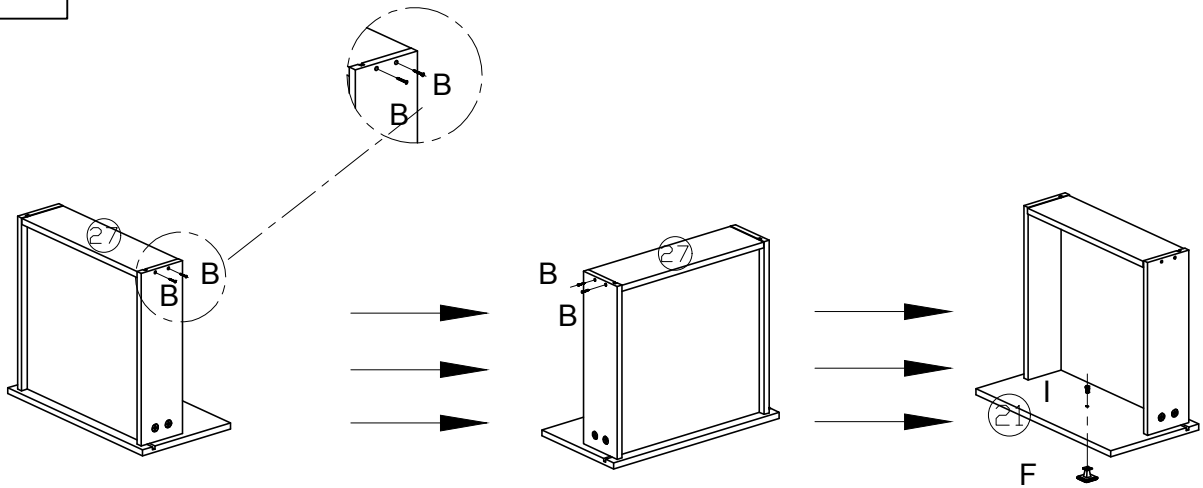





## 2



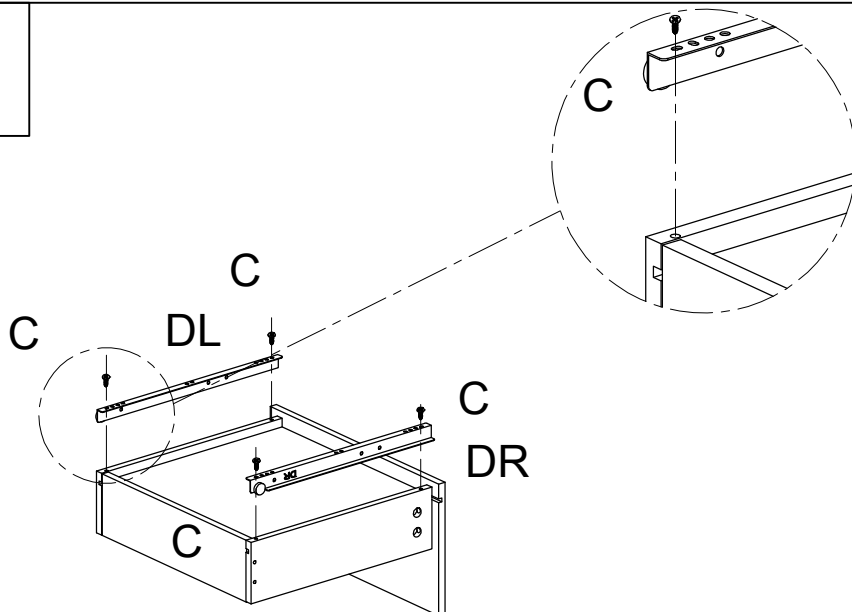
A		4
---	---	---




## 3



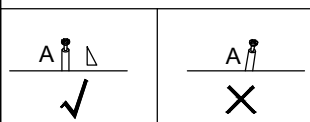
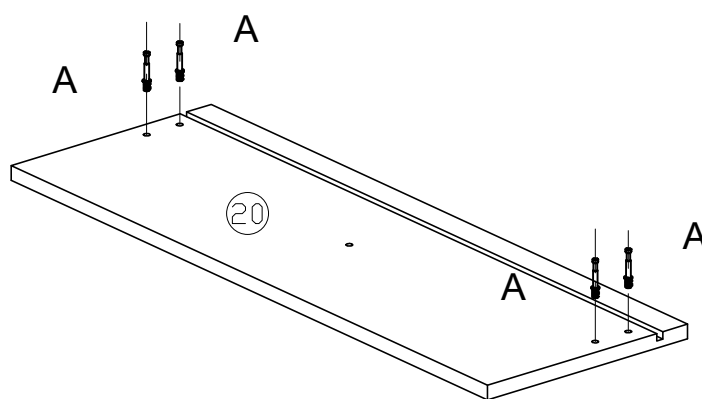
F		1
I		1
B		4

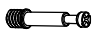
## 4



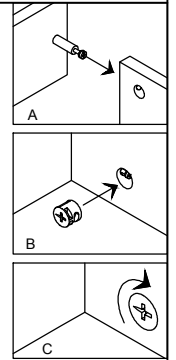
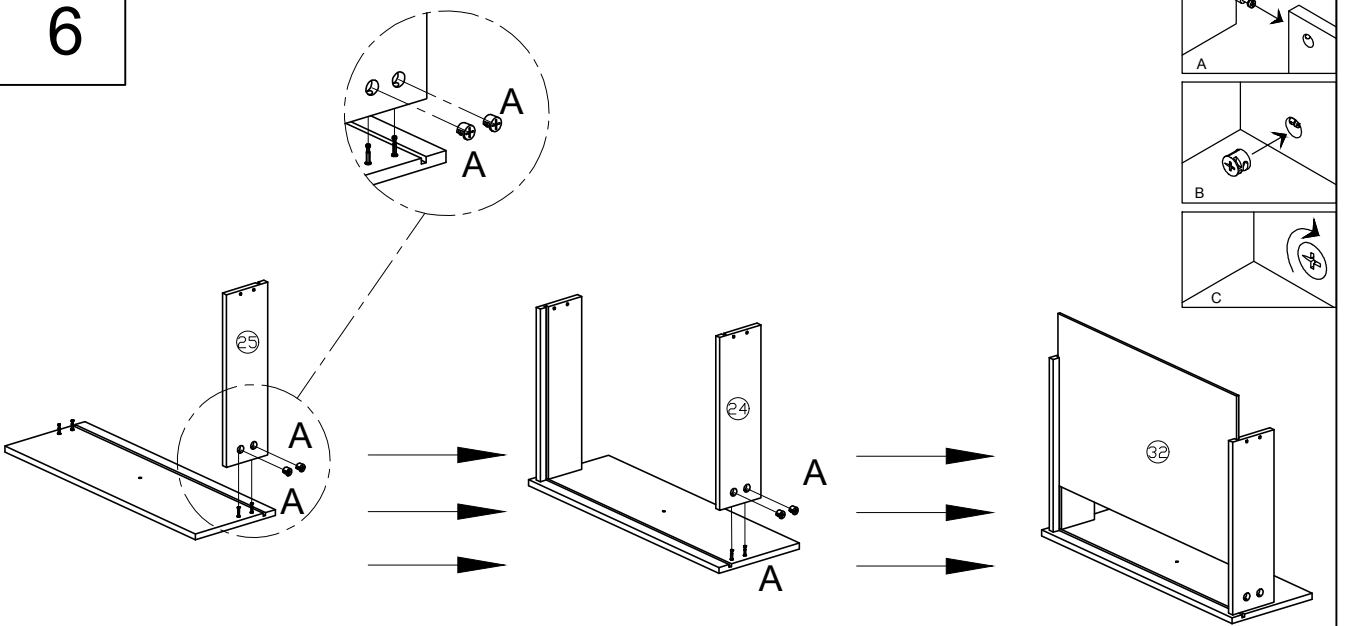
DL		1
DR		1
C		4

## 5



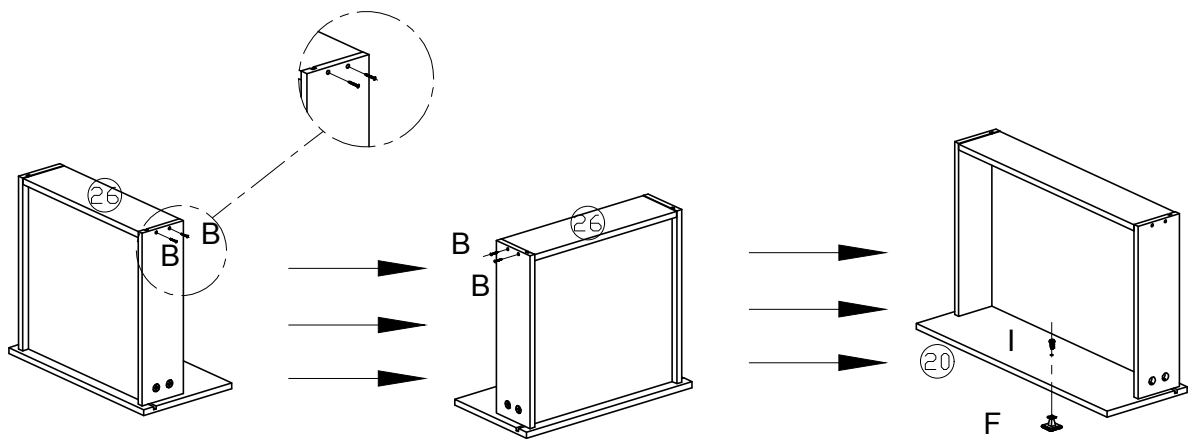
A		4
---	---	---

## 6



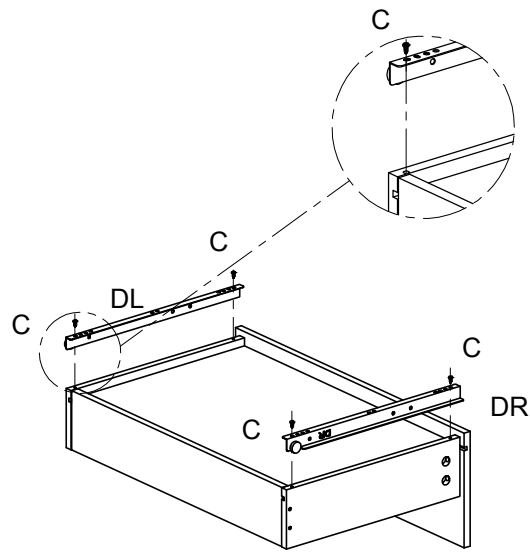
A		4
---	--	---




## 7



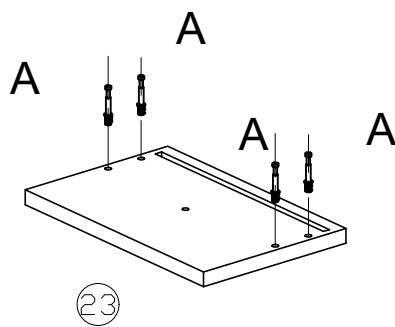
F		1
I		1
B		4

8





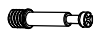
DL		1
DR		1
C		4

9

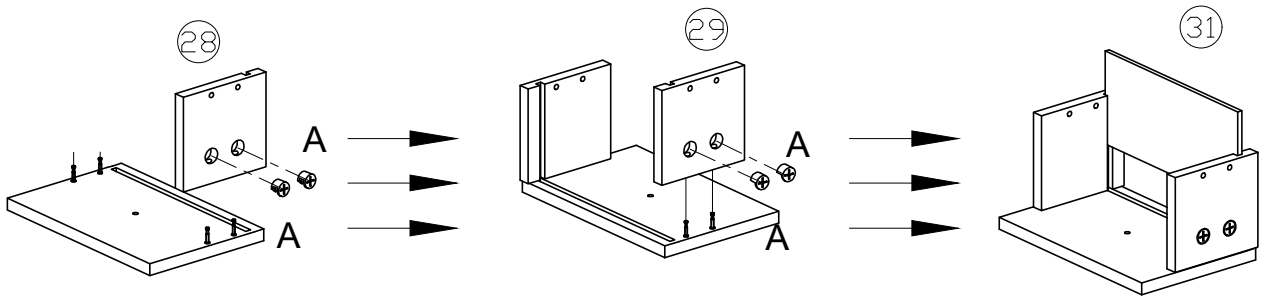


X2

	
✓	✗

A		8
---	---	---

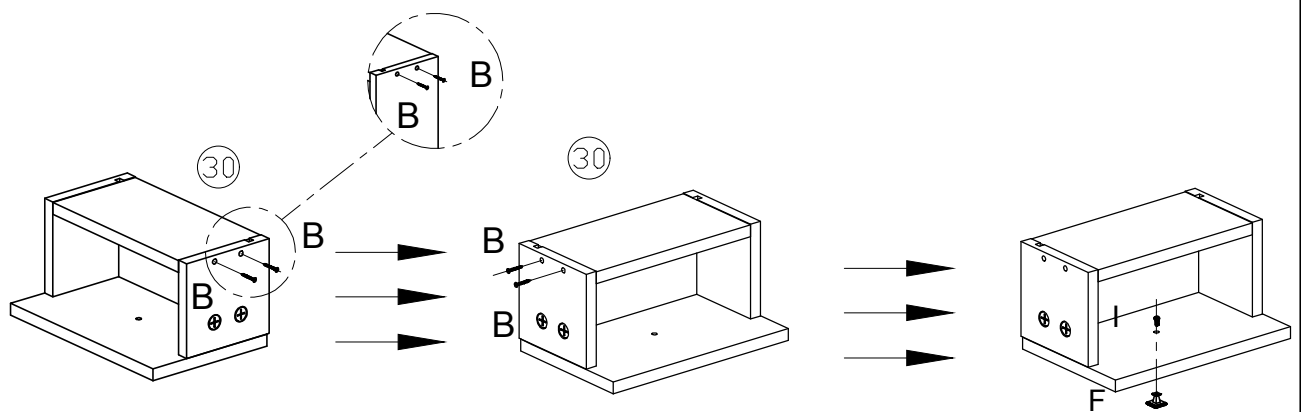
## 10



X2

A		8
---	--	---

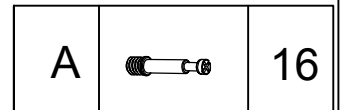
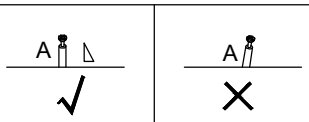
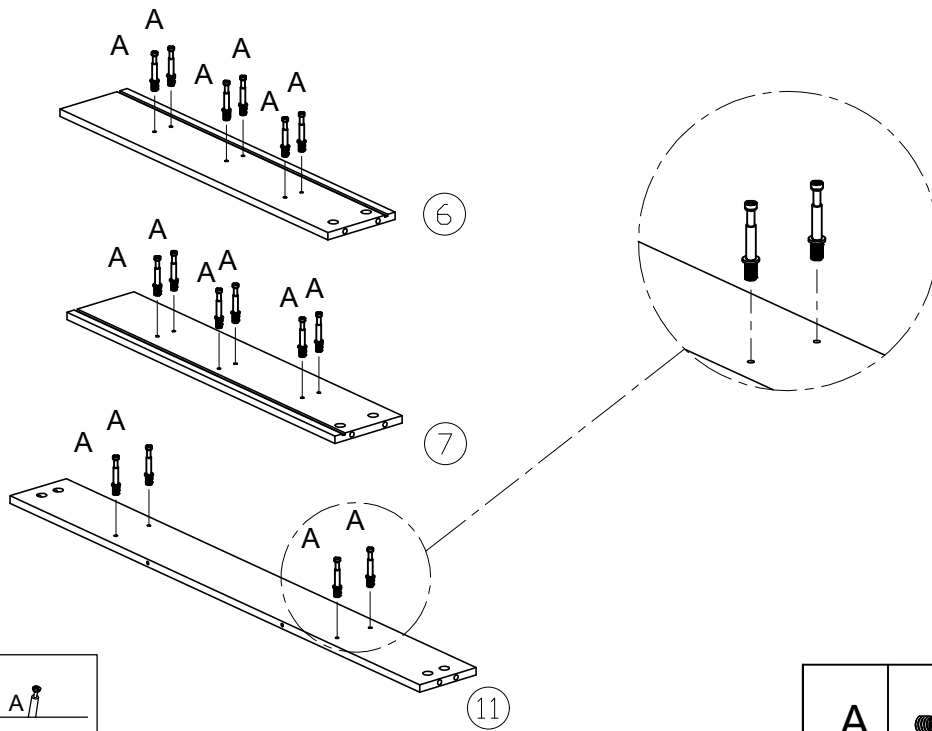
## 11



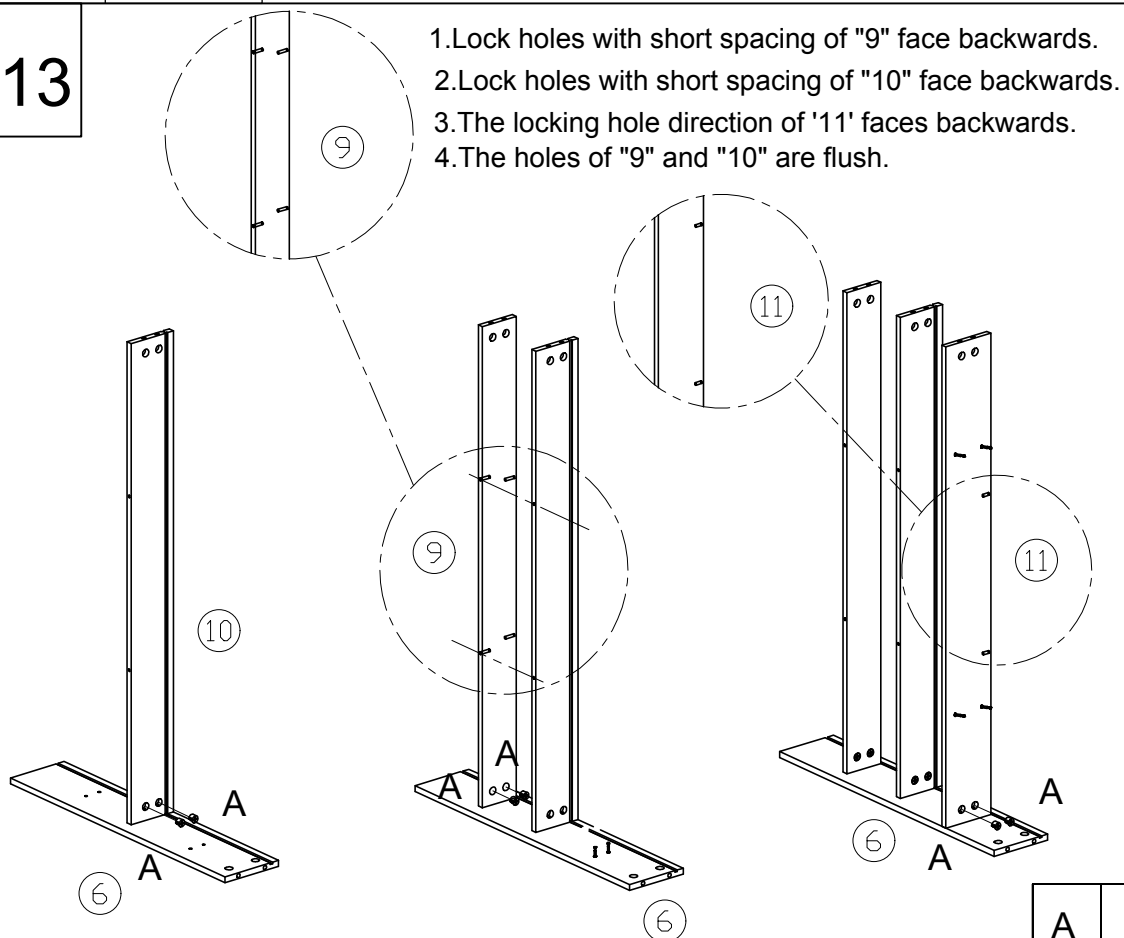
X2

F		2
I		2
B		8

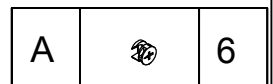
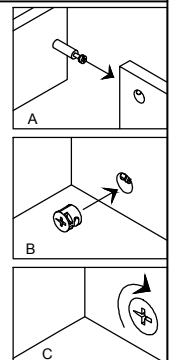
## 12



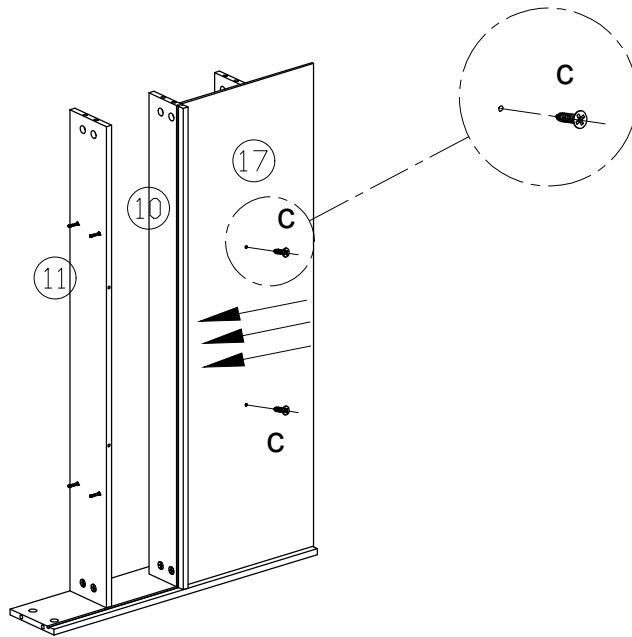
## 13



1. Lock holes with short spacing of "9" face backwards.
2. Lock holes with short spacing of "10" face backwards.
3. The locking hole direction of '11' faces backwards.
4. The holes of "9" and "10" are flush.

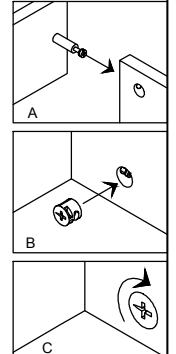
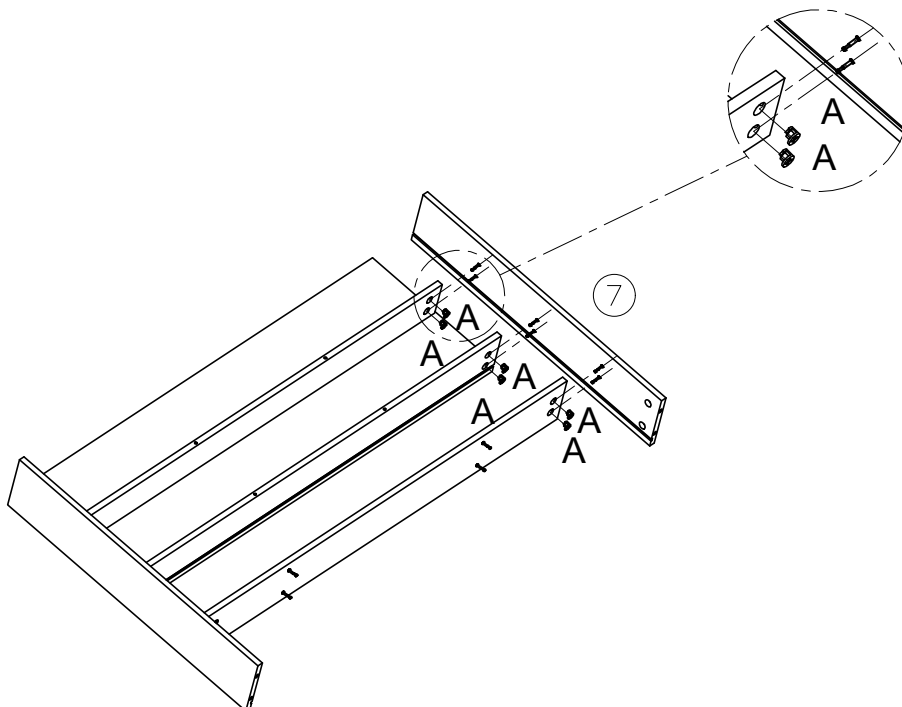


14



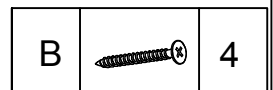
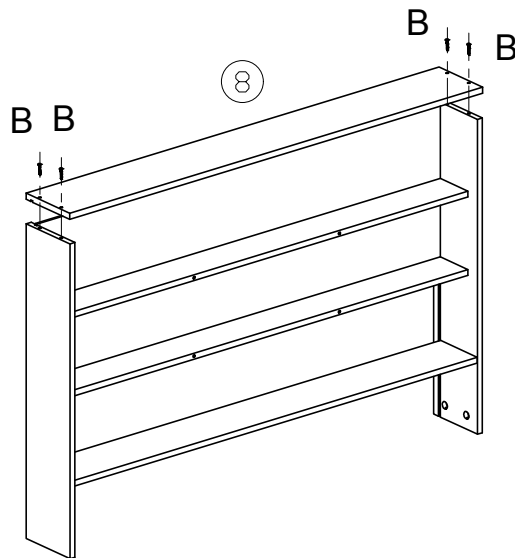
C		2
---	---	---

15

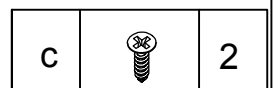
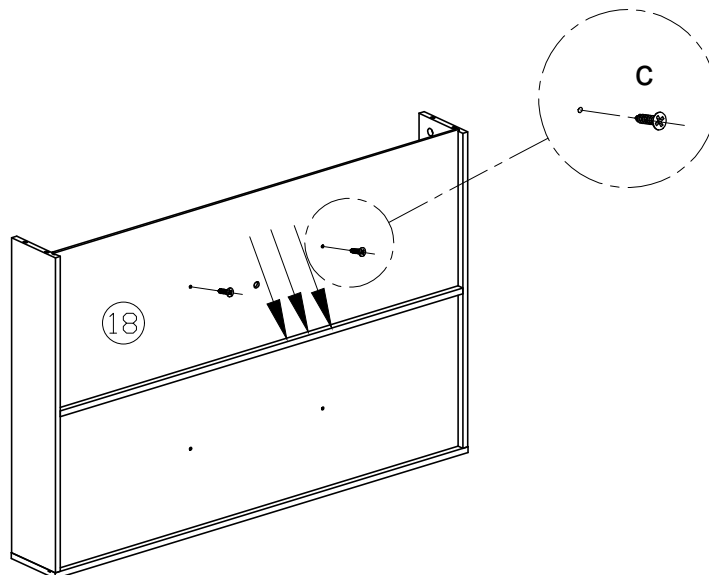


A		6
---	---	---

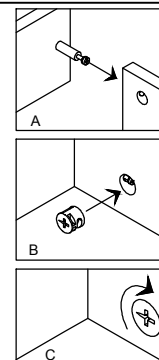
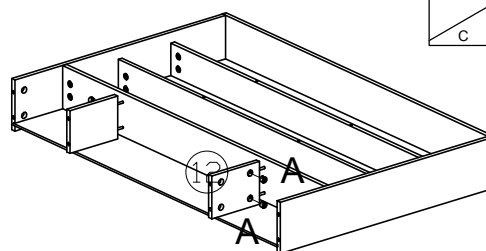
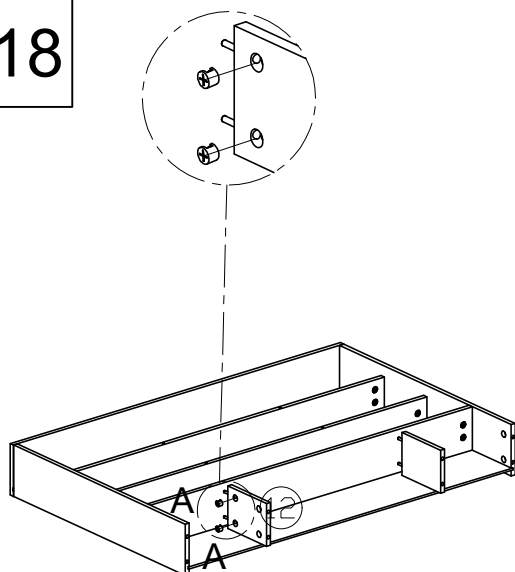
16




17

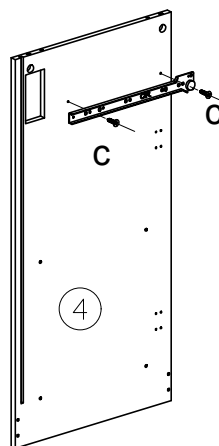
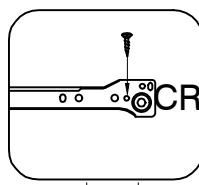
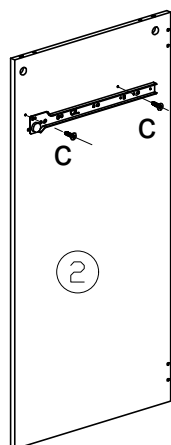
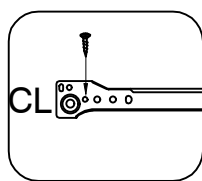





## 18



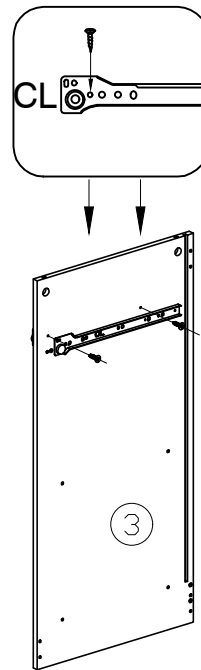
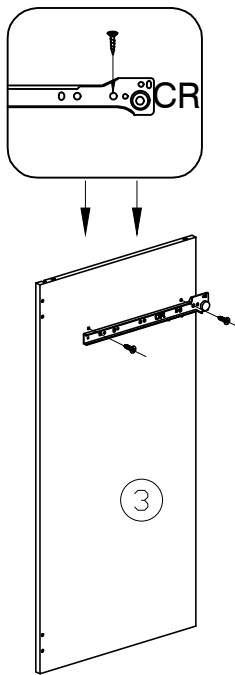
A		4
---	---	---




## 19



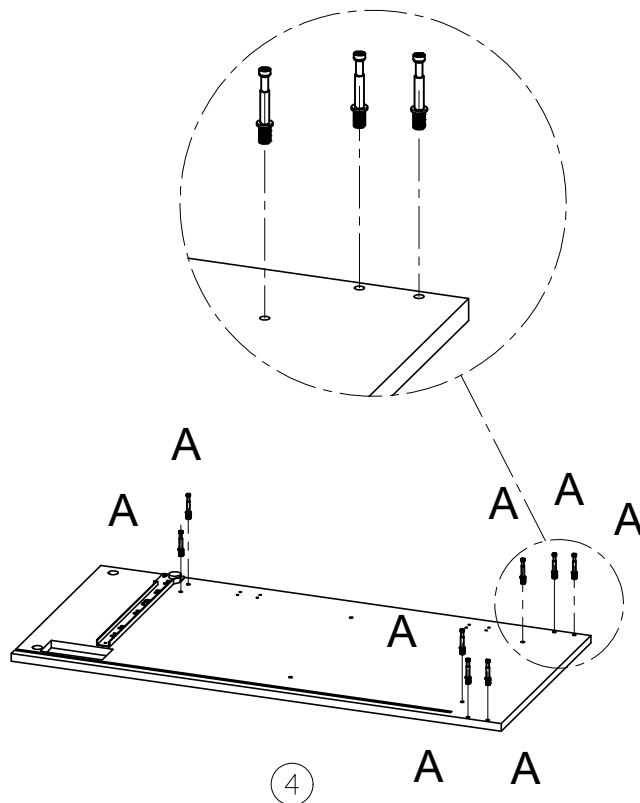
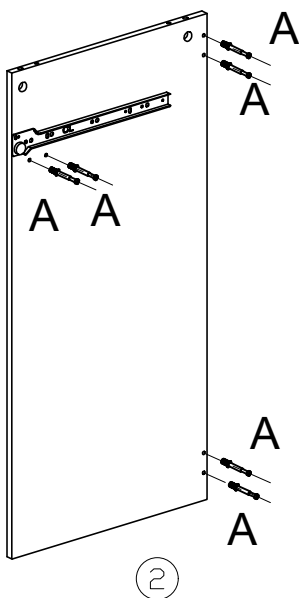
CR		1
CL		1
C		4



20

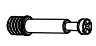


CR		1
CL		1
c		4

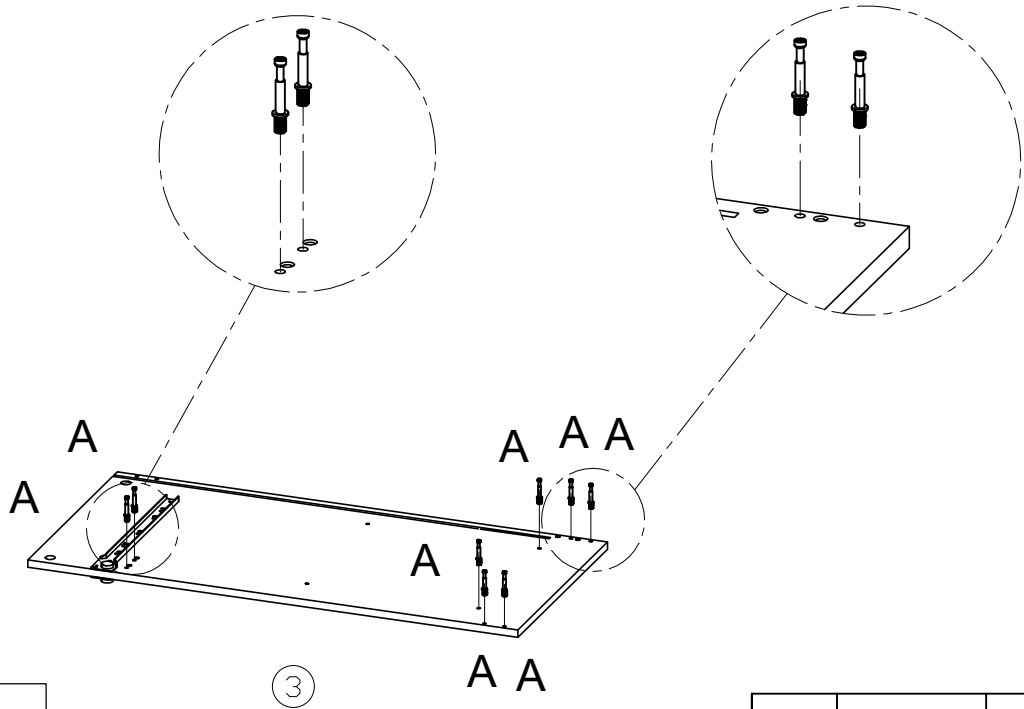
21



	
✓	✗

A		14
---	---	----

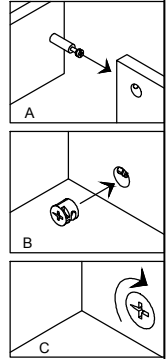
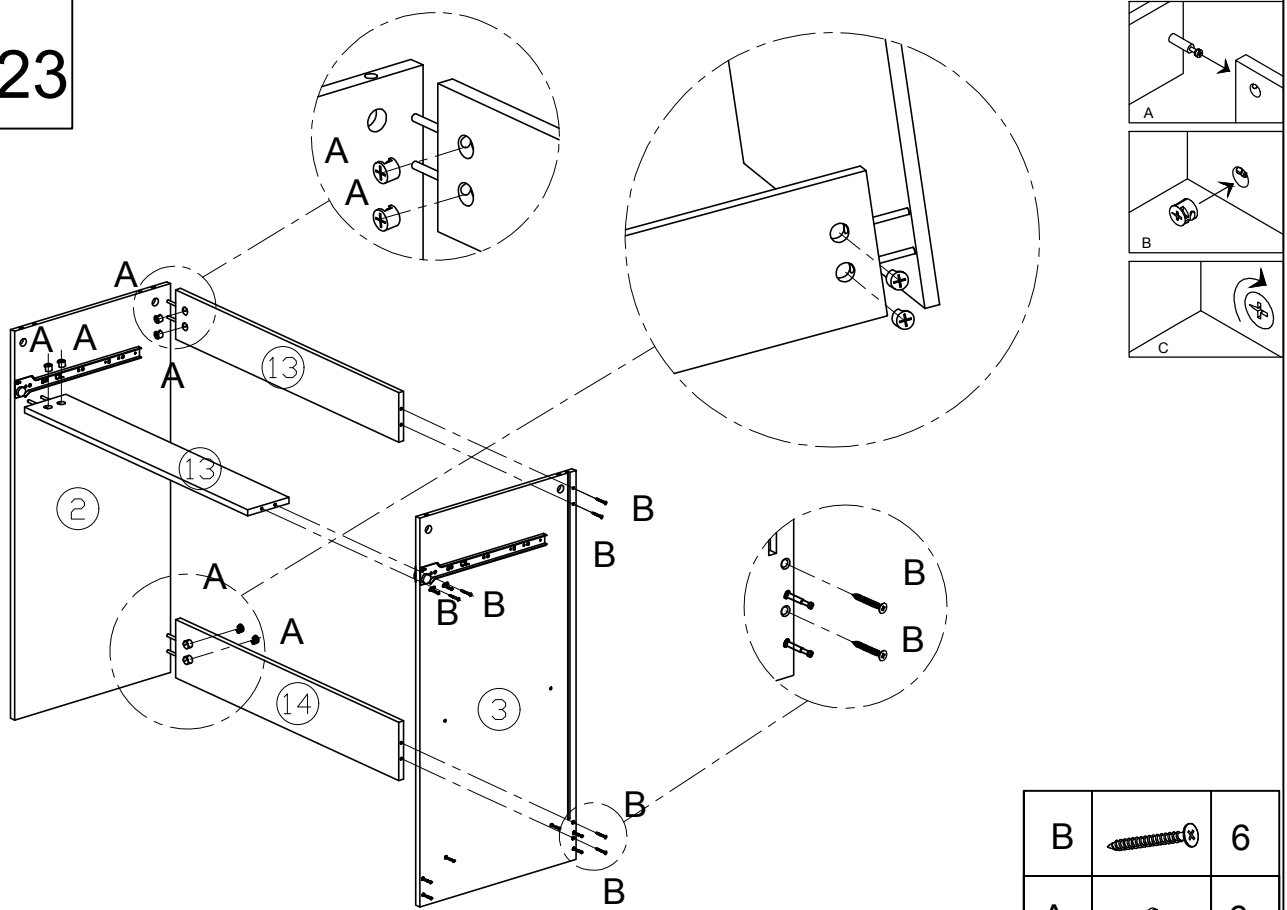
## 22



✓	✗

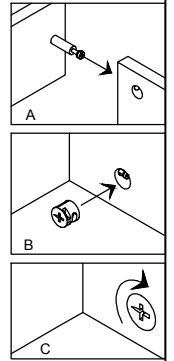
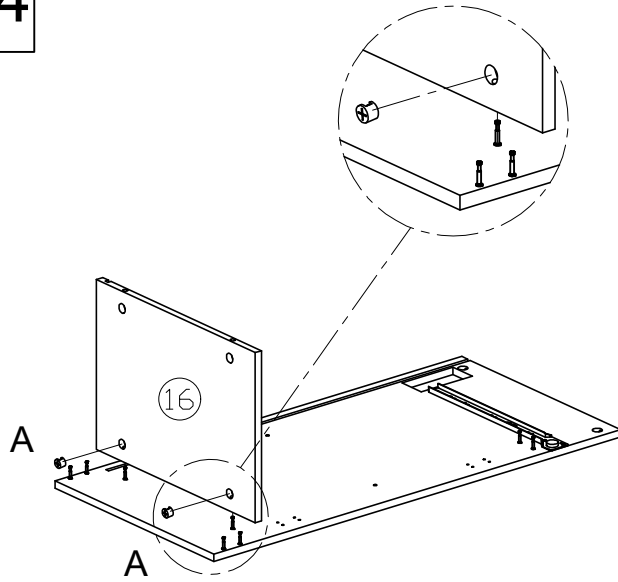
A		8
---	--	---


## 23



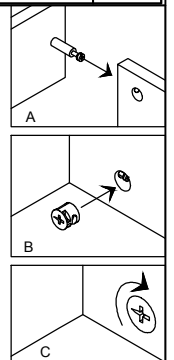
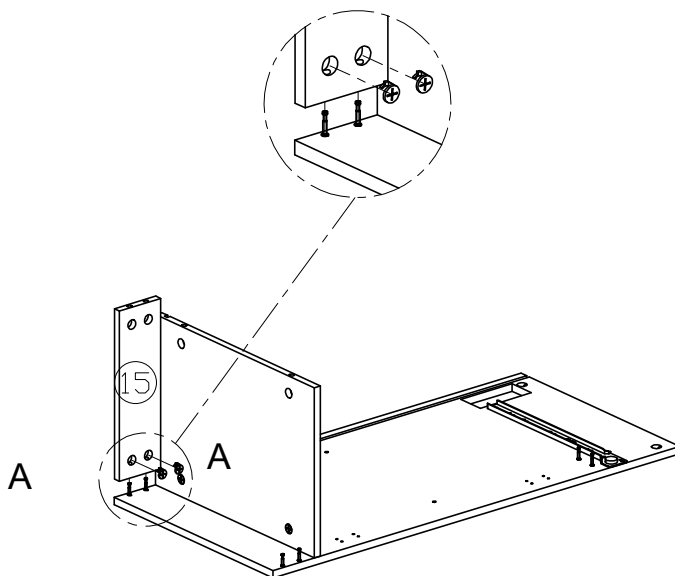
B		6
A		6


## 24



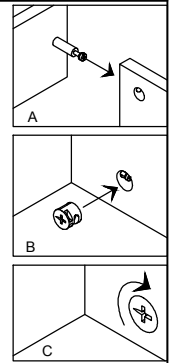
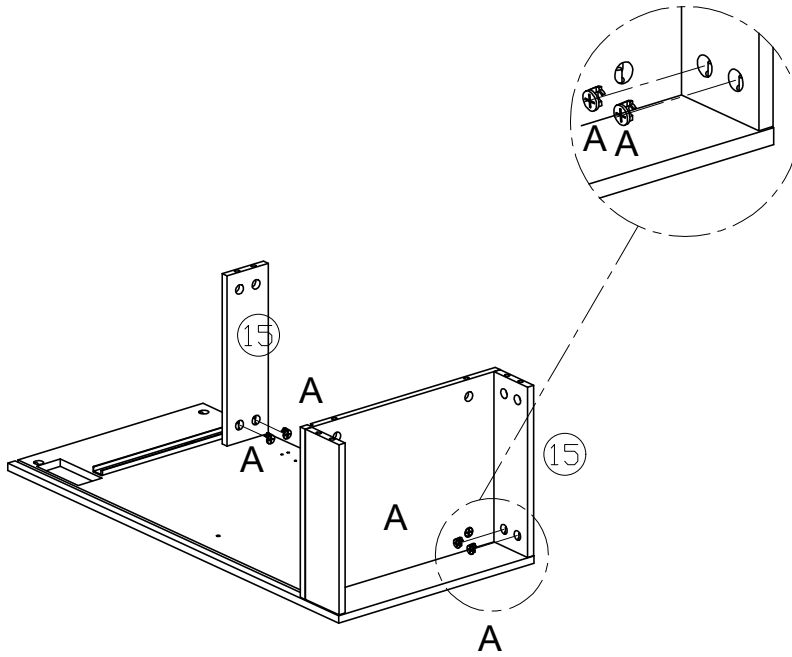
A		2
---	---	---


## 25



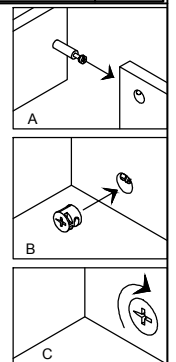
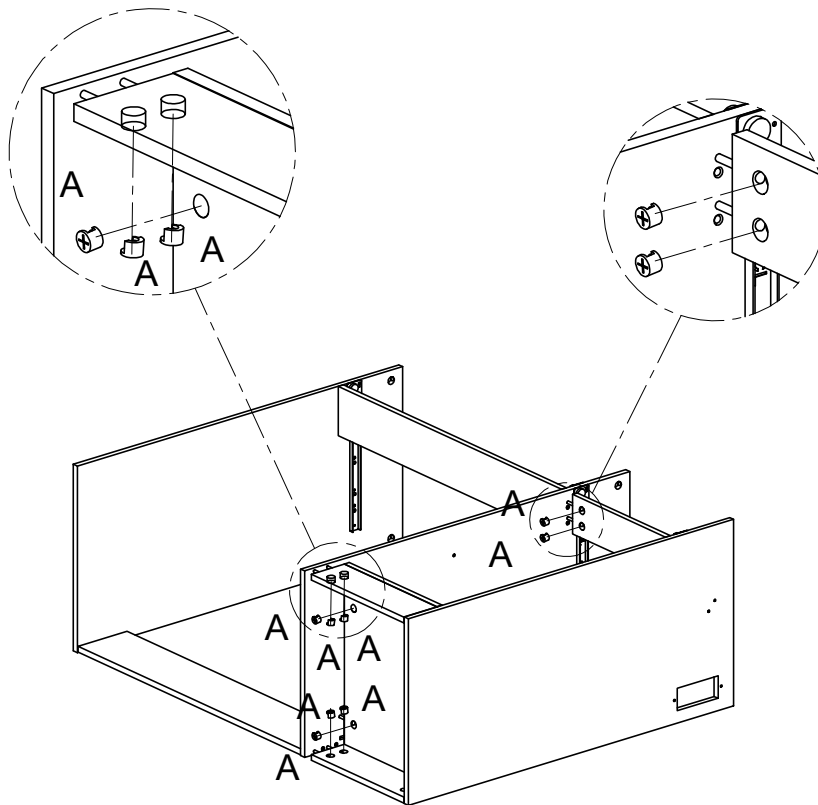
A		2
---	---	---

26



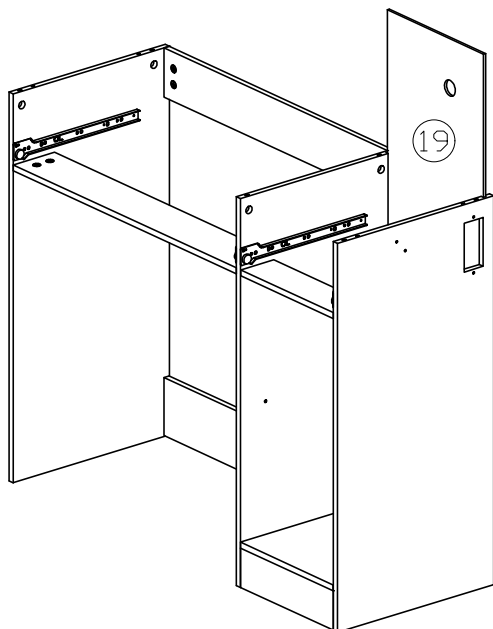
A		4
---	---	---

27

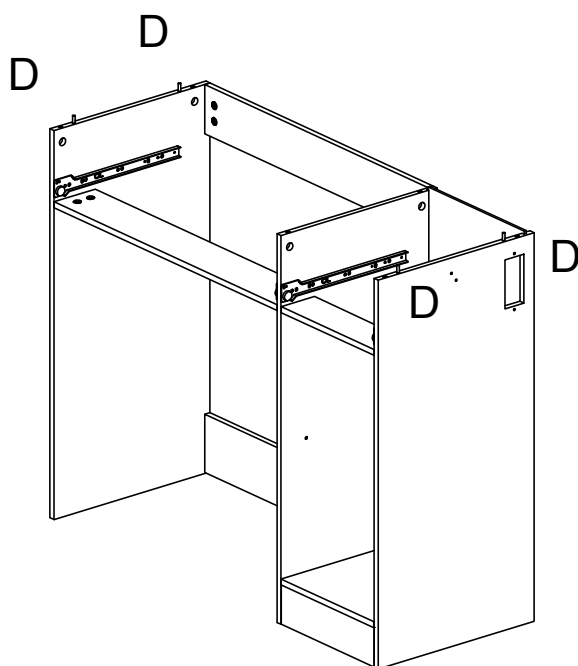


A		8
---	---	---

28



29

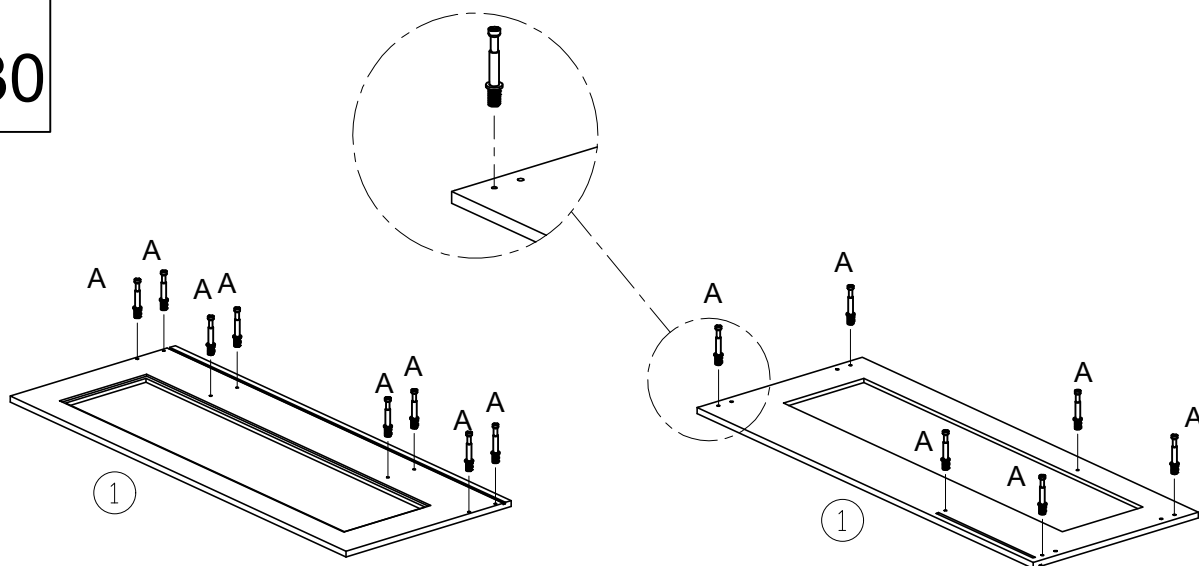


D




4

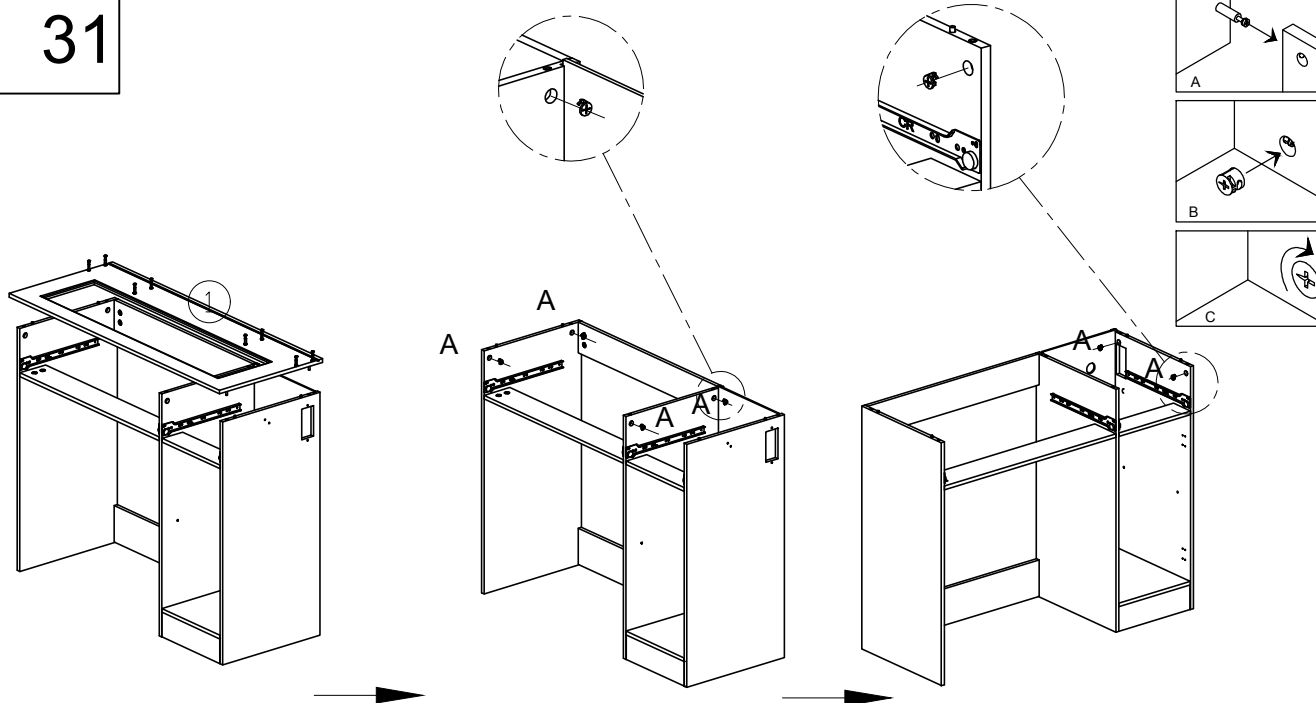
## 30




1. Take out the desktop glass and complete the installation.

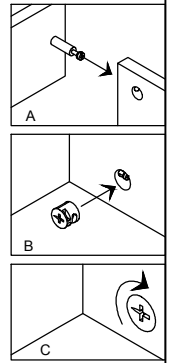
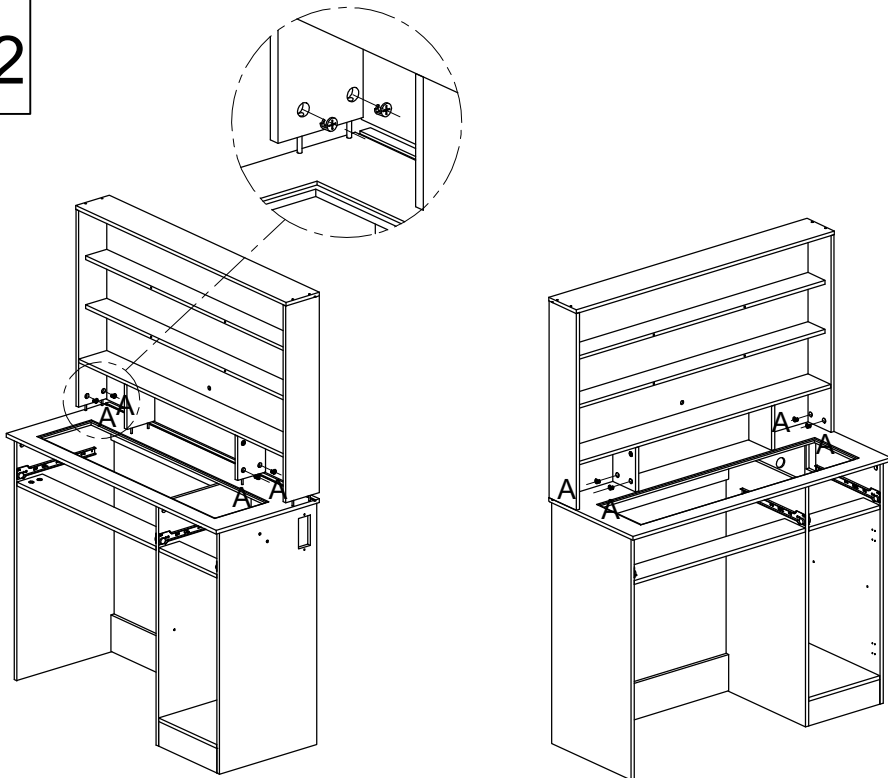
A		14
---	---	----


## 31



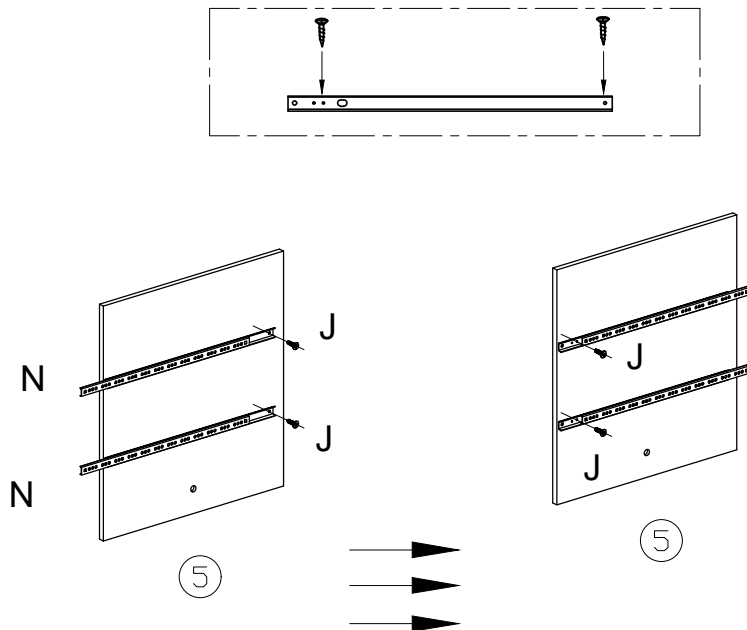
A		6
---	---	---



## 32



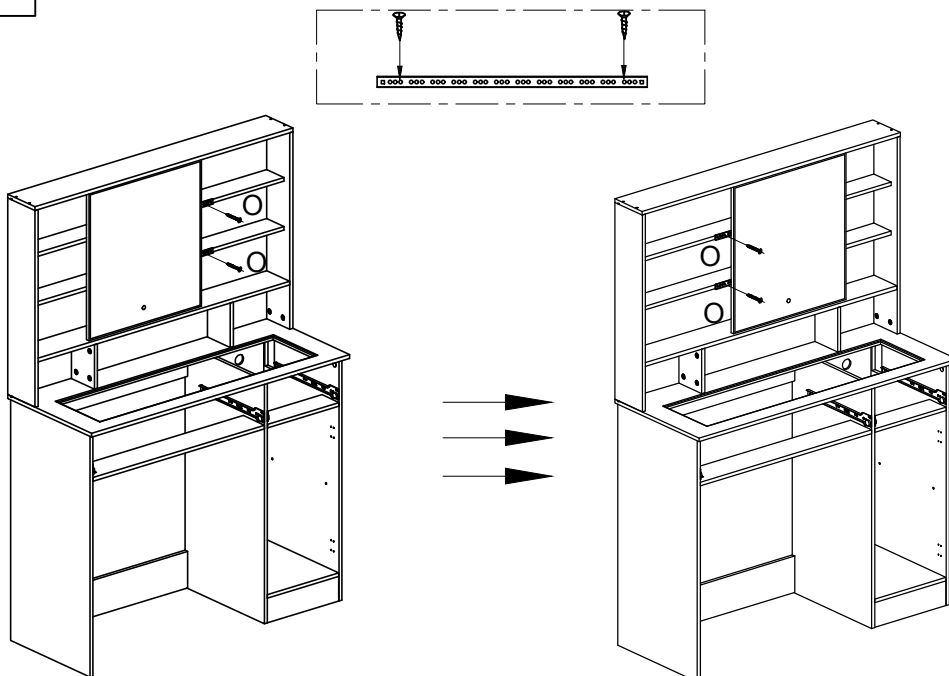
A		8
---	---	---


## 33



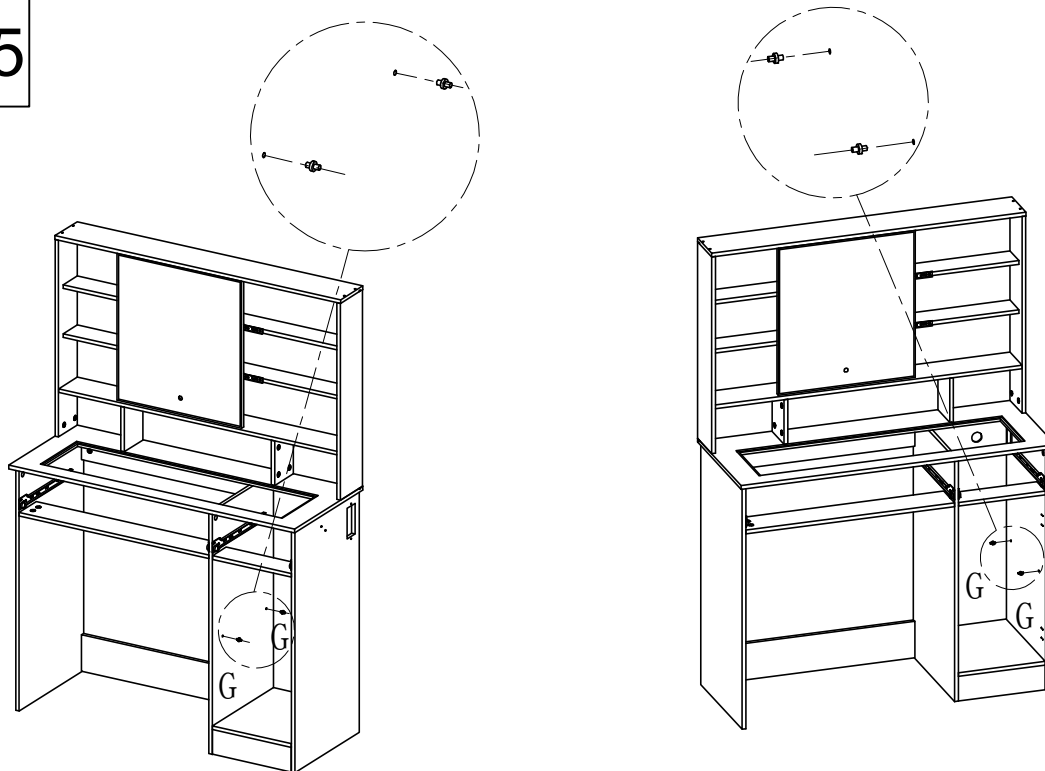
N		2
J		4

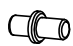
## 34



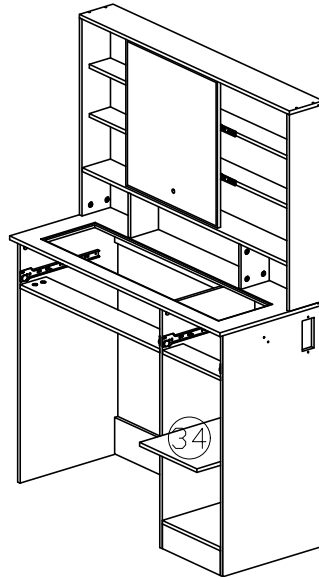
O		4
---	---	---

## 35



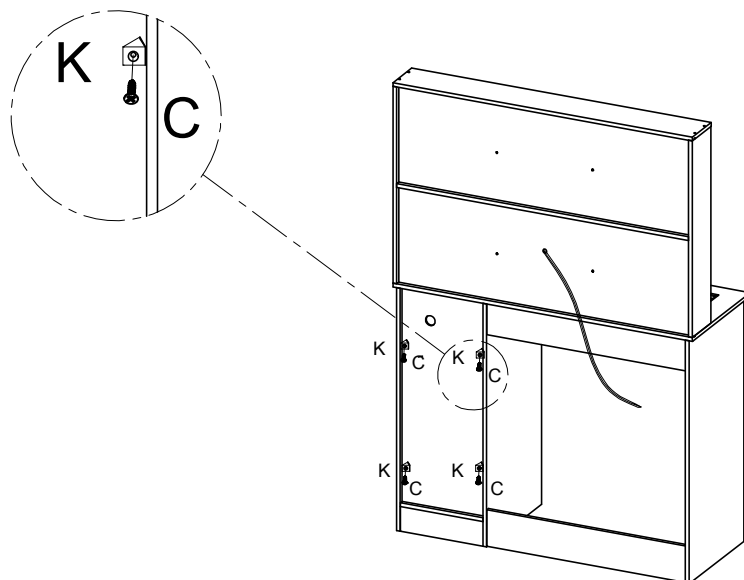
G		4
---	---	---



36



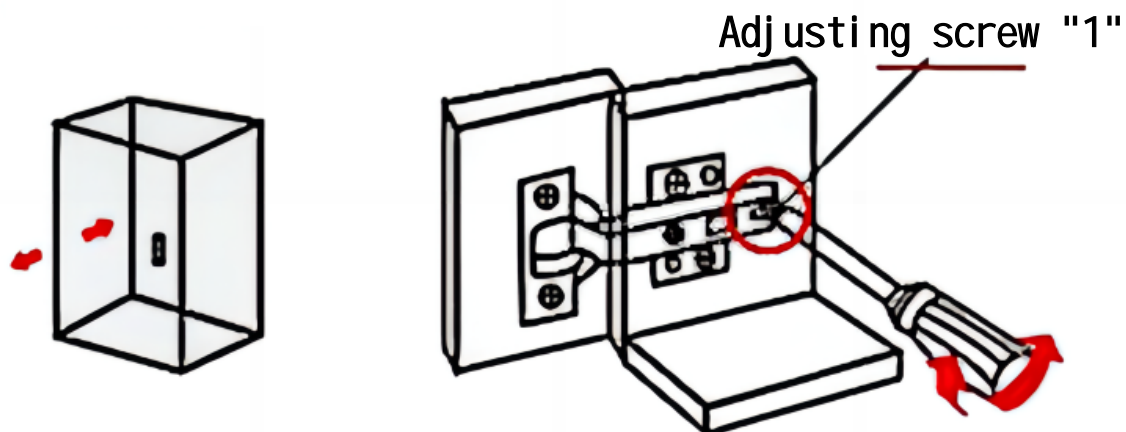
1. Place the tabletop glass.

37



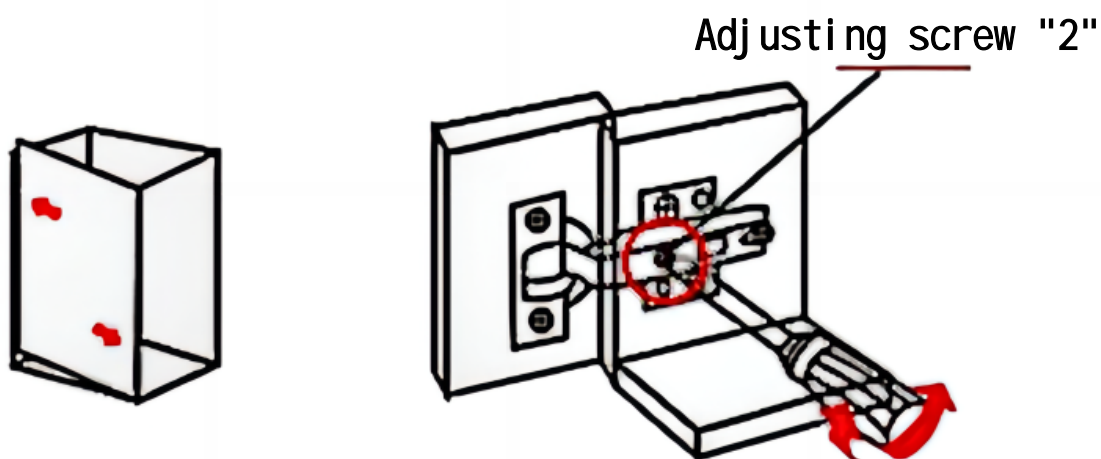
C		4
K		4

## Schematic diagram of regulating cabinet door



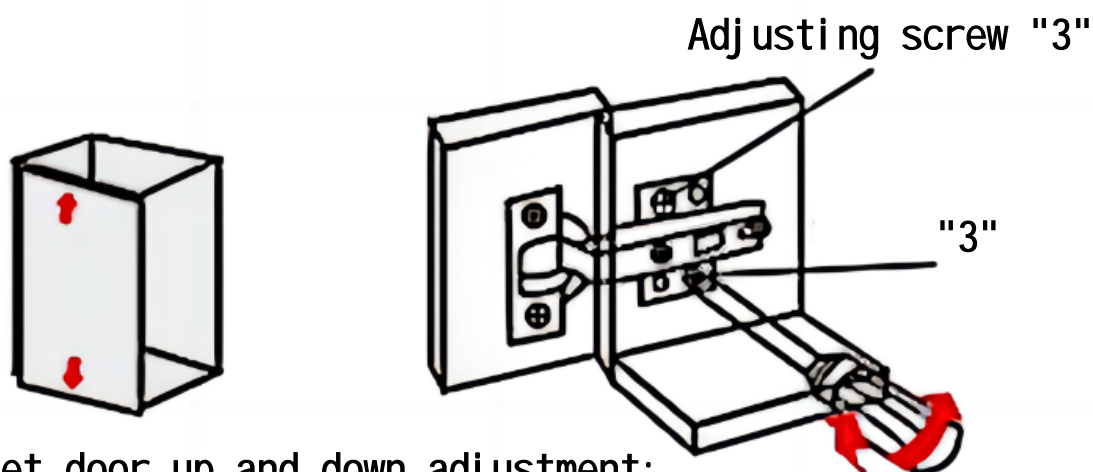
Front and rear adjustment of cabinet door:

Adjusting screw "1" can change the gap between the door panel and the cabinet body



Cabinet door left and right adjustment:

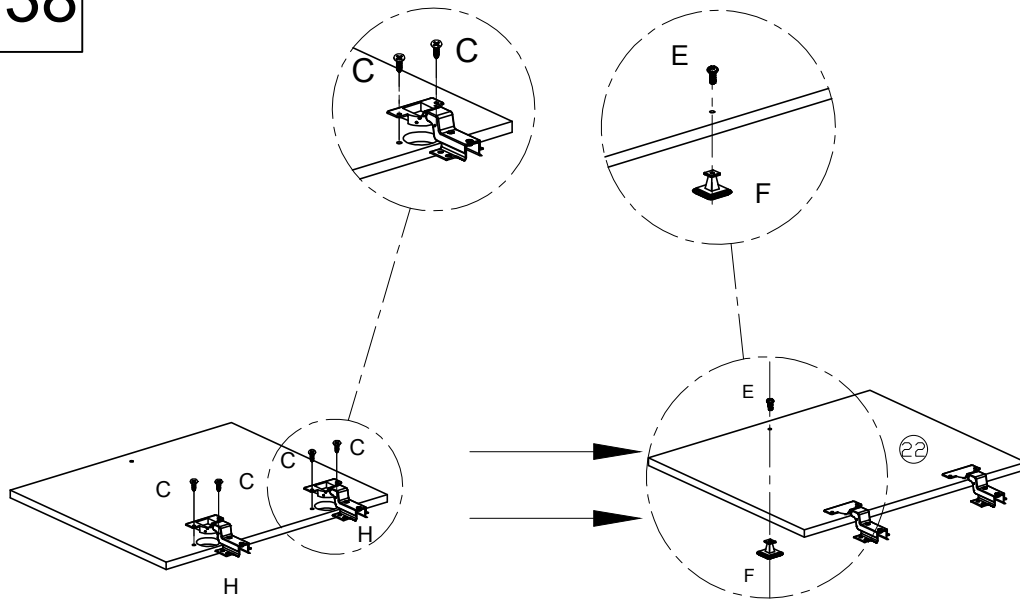
Adjusting screw "2" can change the coverage of the door panel relative to the side panel of the cabinet







Cabinet door up and down adjustment:

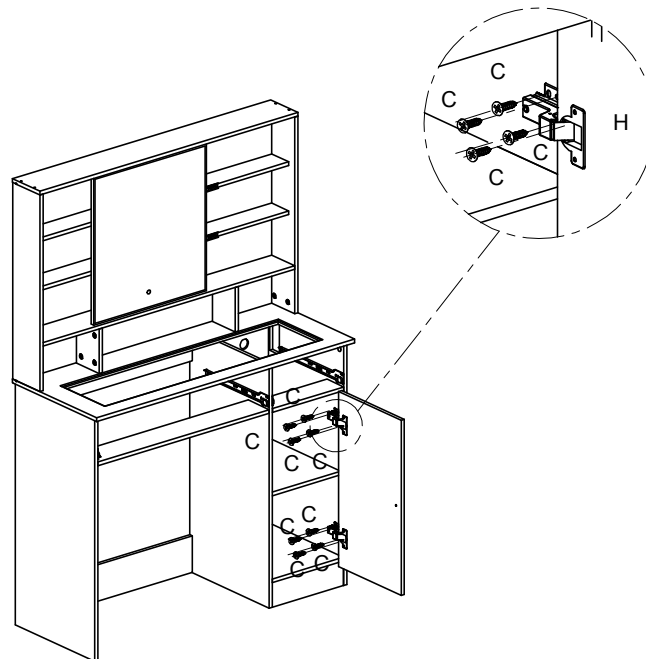
Adjusting screw "3" can correct the upper and lower gaps of the door panel

## 38



H		2
F		1
E		1
C		4

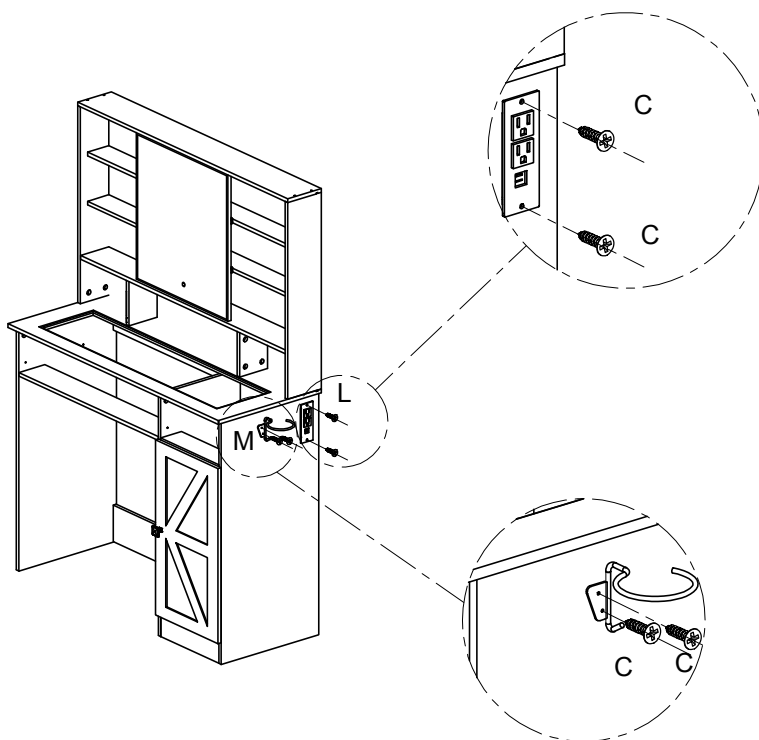
## 39






1. Do not tighten the screws
2. Adjust the cabinet door according to the diagram
3. After adjustment is completed, tighten the screws

C		8
---	---	---

## 40



L		1
M		1
C		4

## 41

