

ASSEMBLY INSTRUCTIONS

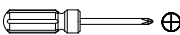
3pc Upholstered Dining Set - Corner Bench

ASSEMBLY
REQUIREMENTS

2-Person
Assembly

2 Hours
Assembly Time
(Approximate)

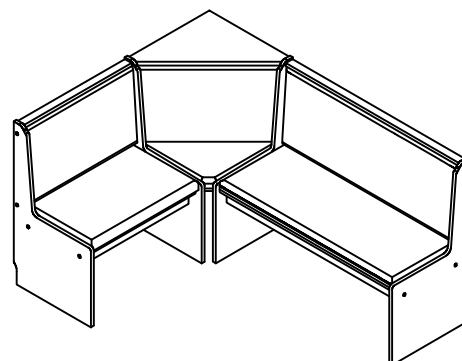
Tools Required
(Not Provided)

 Phillips Screwdriver

 Flat Screwdriver

Thank you for purchasing our product!

Please refer and use this assembly instruction to assemble the product. Contact our customer service department in case there are any missing or damage parts or hardware. Replacement parts are normally shipped within 2 or 3 days.



ASSEMBLY PREPARATION

1. Remove all packaging materials, staples and packing straps from the carton.
2. Refer to Parts List and Hardware List, and ensure parts and hardware are correct before assembly. Contact customer service for missing parts.
3. Place all wooden parts on a clean, flat and soft surface (e.g. carpet or rug) to prevent scratch and damage to parts.

SAFETY PRECAUTION

1. KEEP ALL HARDWARE PARTS OUT OF REACH OF CHILDREN.
2. DISPOSE PLASTIC PACKAGING MATERIAL IMMEDIATELY TO AVOID ANY RISK OF SUFFOCATION TO CHILDREN AND ANIMALS.

TIPS FOR ASSEMBLY

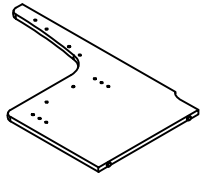
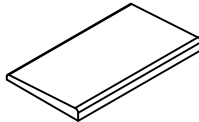

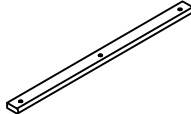
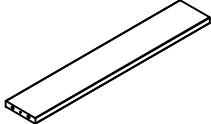
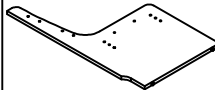
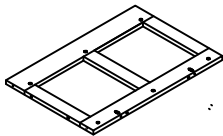
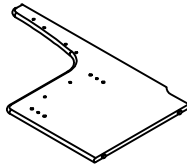
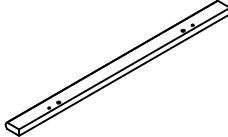
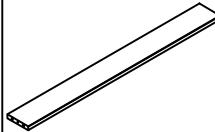
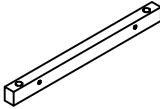
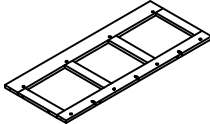
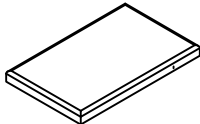
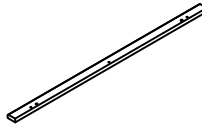
1. Allow ample room for assembly and **assemble the product near** where product will be placed.
2. Assemble the product on a surface that does not scratch or damage the exterior gloss and finish of the furniture.
3. Identify all of the parts, hardware and quantities required for each step.
4. During assembly, do not over-tighten any fittings as this may cause damage.
5. **DO NOT USE POWER TOOLS TO ASSEMBLE THIS PRODUCT.**
6. Always place the product on a flat, level surface.
7. Do not sit or stand on the partially assembled product; only use the product for which it is intended.

CARE AND MAINTENANCE

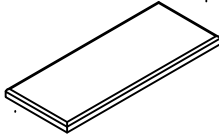
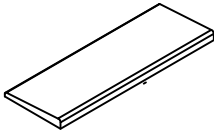
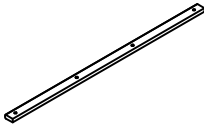
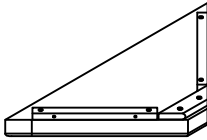
- Use a slightly damp cloth to clean the product. Do not use bleach or abrasive cleaning material.
- Check all the fittings periodically and re-tighten as necessary. Do not use the product if any of the parts is damaged or broken.
- Never allow any kind of liquid to remain on your furniture. Absorption can cause wood to warp or delaminate.
- Do not place hot items (e.g. hot drinks) directly onto the wood surface.
- Do not drag and/or pull the furniture.

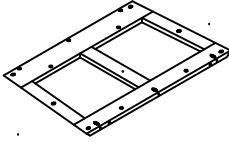
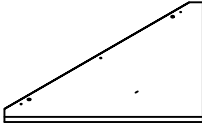
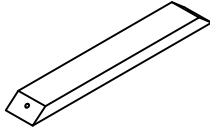
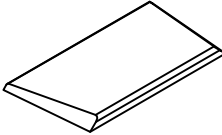
This product is for indoor and household use only - not for commercial use.

Parts List


ITEM	DESCRIPTION	PART	QTY	ITEM	DESCRIPTION	PART	QTY
1	Left Outside Leg		1pc	8	Single Bench Back Cushion		1pc
2	Left Middle Leg		1pc	9	Single Bench-Rail		1pc
3	Single Bench Apron		2pc	10	Right Outside Leg		1pc
4	Single Bench Back Frame		1pc	11	Right Middle Leg		2pc
5	Single Bench Top Panel		1pc	12	Double Bench-Apron		2pc
6	Support Rail		4pc	13	Double Bench Back Frame		1pc
7	Single Bench Seat		1pc	14	Double Bench-Top Panel		1pc

Parts List

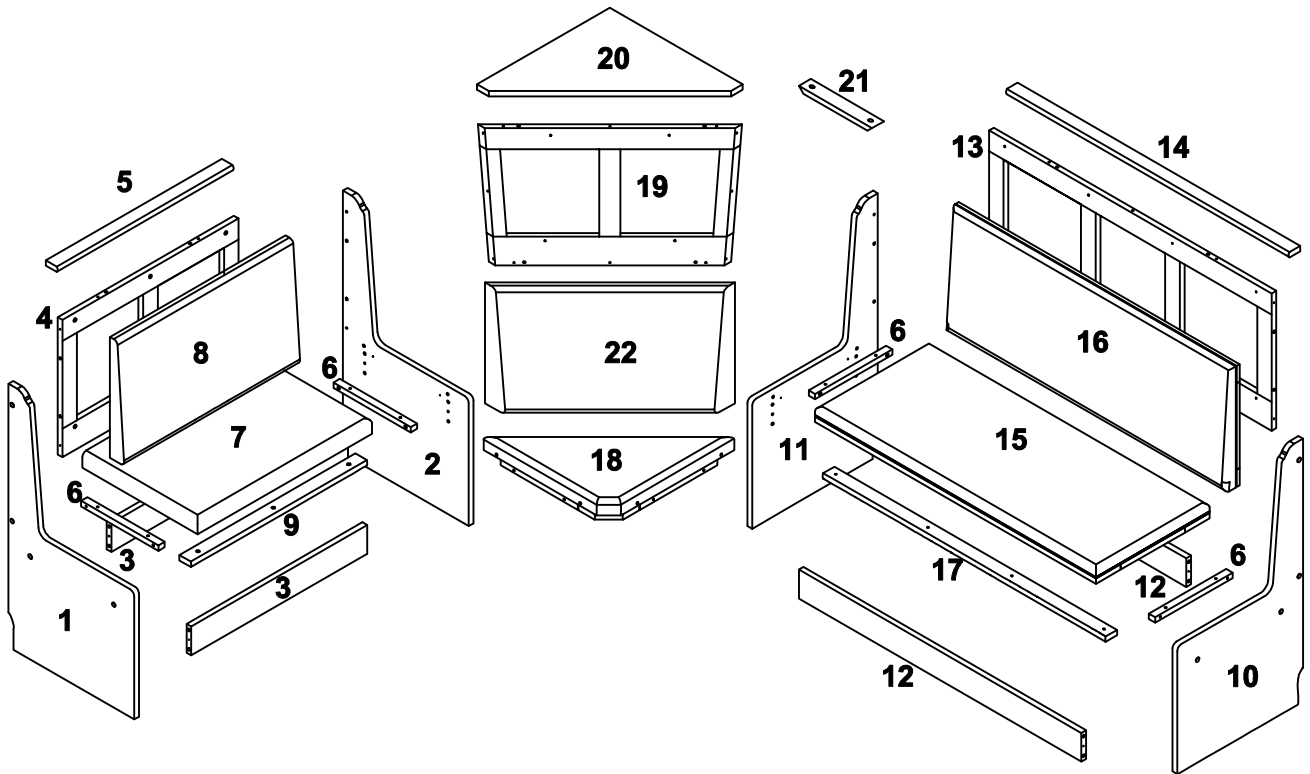
ITEM	DESCRIPTION	PART	QTY
15	Double Bench-Seat		1pc
16	Double Bench Back Cushion		1pc
17	Double Bench-Rail		1pc
18	Corner Bench Seat		

ITEM	DESCRIPTION	PART	QTY
19	Corner Bench Back Frame		6pc
20	Corner Bench Top Panel		2pc
21	Corner Bench Support		1pc
22	Corner Bench Back Cushion		

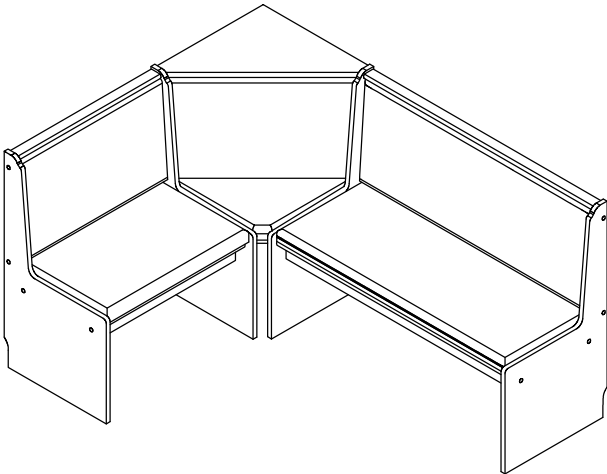
Hardware List

ITEM	DESCRIPTION	HARDWARE	QTY	ITEM	DESCRIPTION	HARDWARE	QTY
A	Screw	 4*25mm	34pcs	D	Cover	 D15*7	8pcs
B	Screw	 4*30mm	30pcs	E	Wood Dowel	 8*30mm	30pcs
C	Screw	 5*35mm	16pcs	G			

Parts Assembly Overview

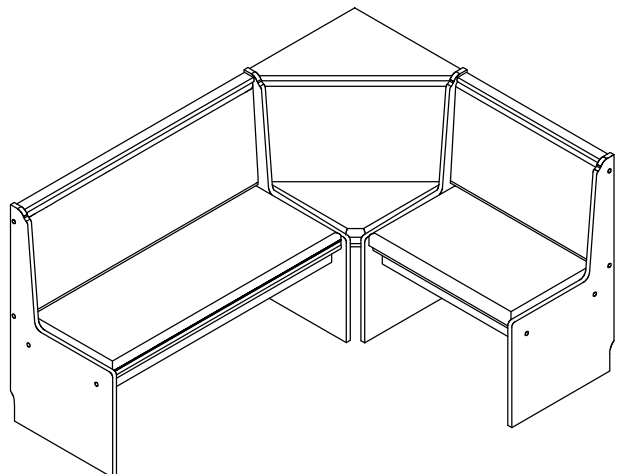


2 Configurations



Left Single Bench / Right Double Bench
Configuration

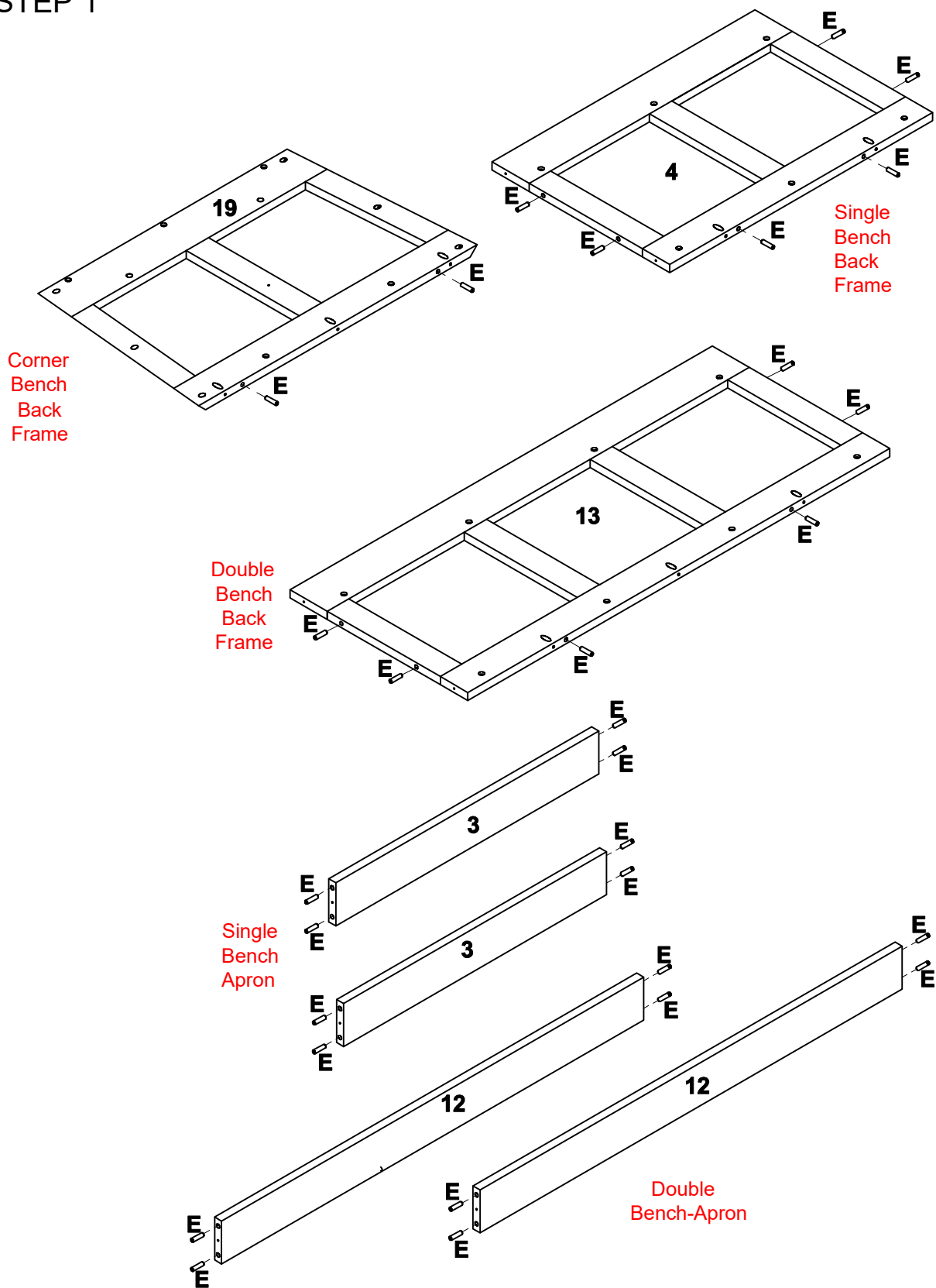
Use: STEP 1 to STEP 5
STEP 6 to STEP 16



Left Double Bench / Right Single Bench
Configuration

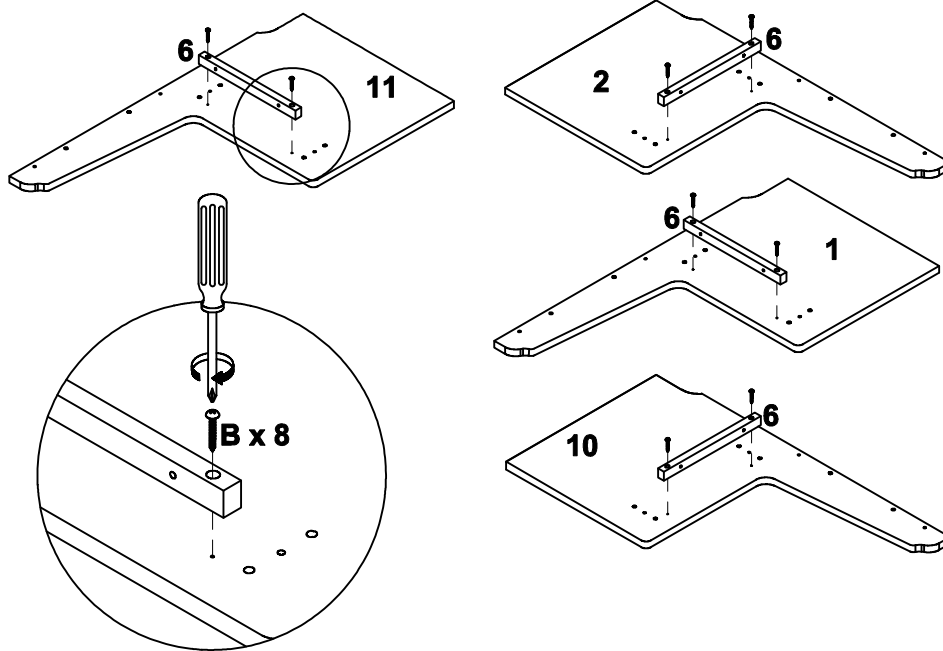
Use: STEP 1 to STEP 5
STEP 17 to STEP 29

STEP 1



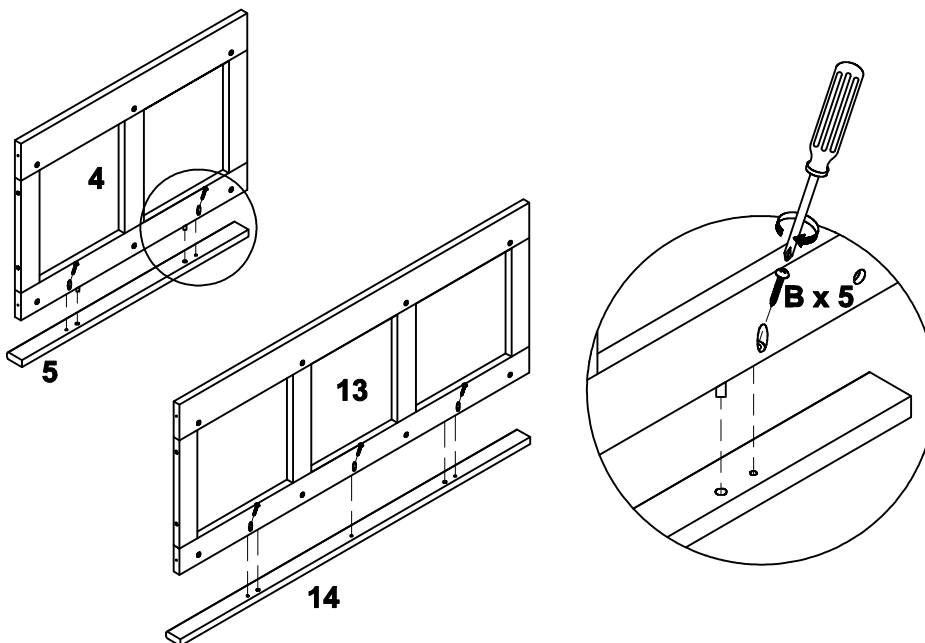
Lay the parts listed on a material that does not scratch or damage the parts and insert Wood Dowel (E) into the designated holes as shown.

STEP 2



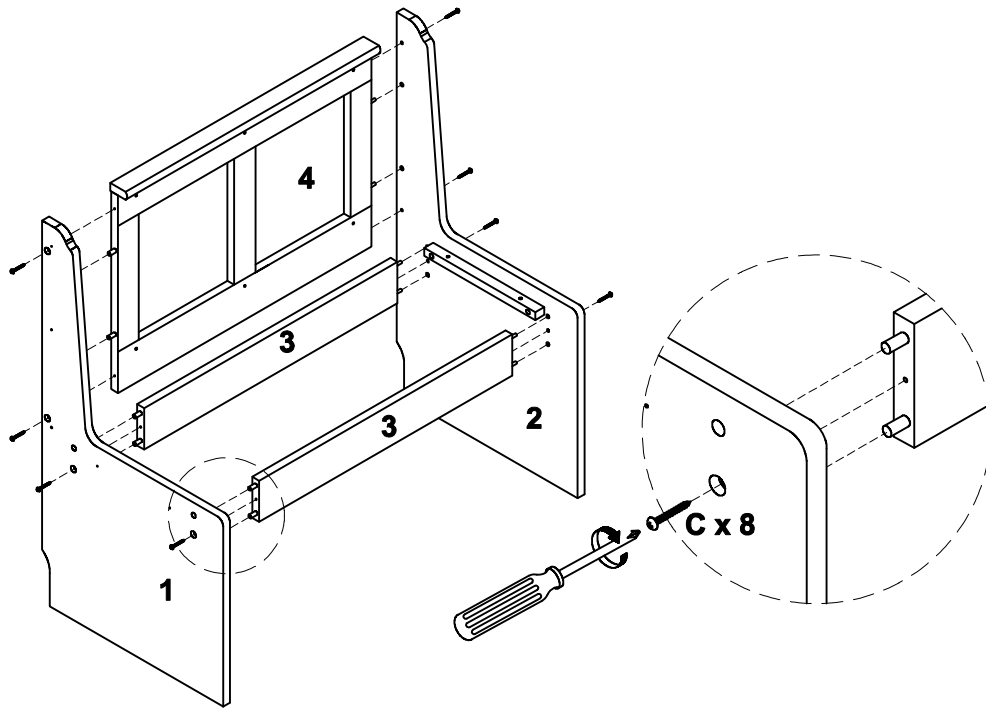
- Lay Right Middle Leg (11), Left Middle Leg (2), Left Outside Leg (1) and Right Outside Leg (10) on a material that does not scratch or damage the parts. Note: Ensure the correct side of each part is facing up by checking the number of screw holes.
 - Use Screw (B) to fasten Support Rail (6) to each part as shown. Drive and tighten (B) with a Phillips screwdriver.
-

STEP 3



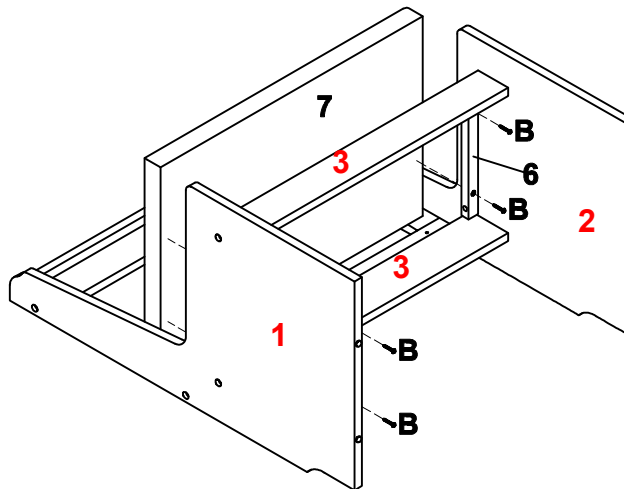
- Lay Single Bench Top Panel (5) and Double Bench Top Panel (14) on a material that does not scratch or damage the parts.
- Attach Single Bench Back Frame (4) and Double Bench Back Frame (13) from STEP 1 to (5) & (14), respectively, via wood dowels on (4 & 13).
- Use Screw (B) to fasten (5) and (14) to (4) and (13), respectively. Drive and tighten (B) with a Phillips screwdriver.

STEP 4



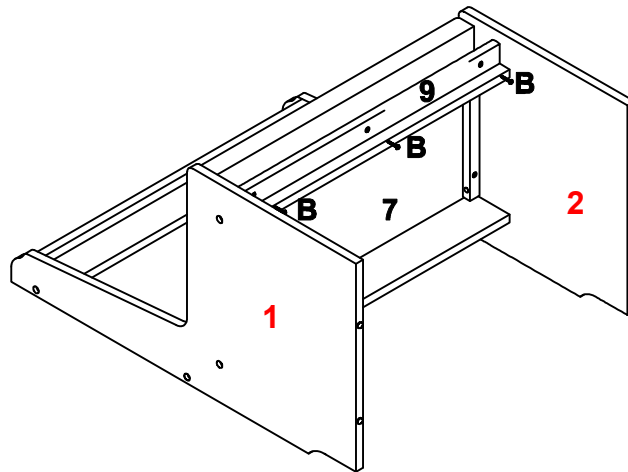
- Set Left Outside Leg (1) from STEP 2 vertically as shown.
 - With assistance, attach Single Bench Apron (3) from STEP 1 to (1) via wood dowel on (3) and use Screw (C) to fasten (3) to (1). Use Phillips screwdriver to drive and tighten (C).
 - With assistance, attach the Single Bench Back Frame (4) from STEP 1 to Left Outside Leg (1) via wood dowel on (4) and use Screw (C) to fasten (4) to (1). Use Phillips screwdriver to drive and tighten (C).
 - With assistance, attach Left Middle Leg (2) from STEP 2 to (3) and (4). Use Screw (C) to fasten (2) to (3 and 4) and Phillips screwdriver to drive and tighten (C).
-

STEP 5



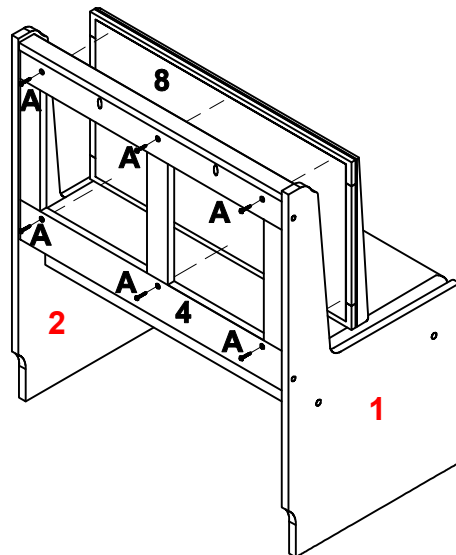
- With assistance, lay Single Bench assembly from STEP 4 on its back on a material that does not scratch or damage the parts.
- Fit Single Bench Seat (7) between Left Outside Leg (1) and Left Middle Leg (2) to sit on Single Bench Apron (3).
- Use Screw (B) to fasten (7) to Support Rail (6) and Phillips screwdriver to drive and tighten (B).

STEP 6



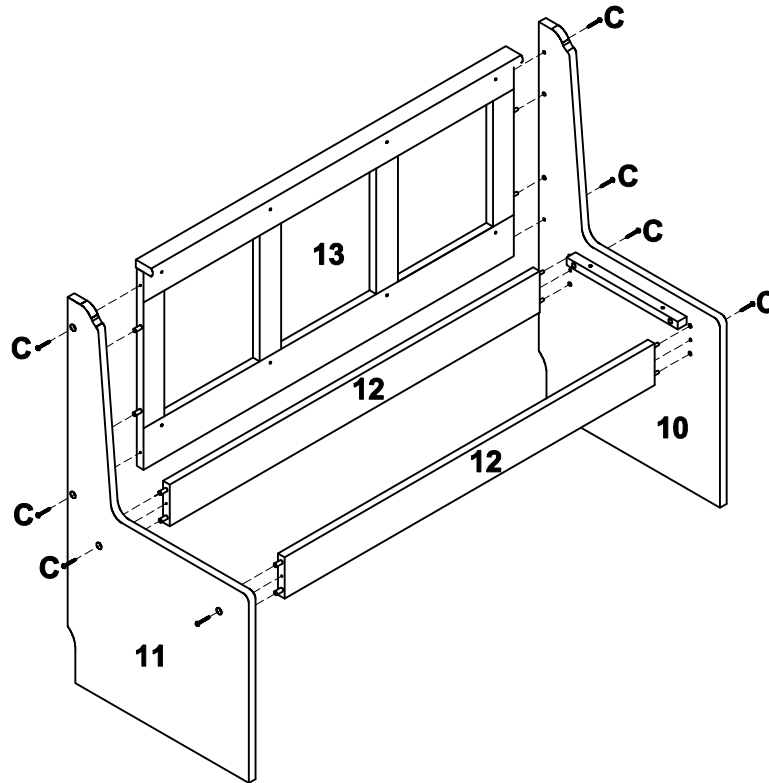
- a) Fit Single Bench Rail (9) below Seat (7) and between Left Outside Leg (1) and Left Middle Leg (2).
- b) Use Screw (B) to fasten (9) to (7) and Phillips screwdriver to drive and tighten (B).

STEP 7



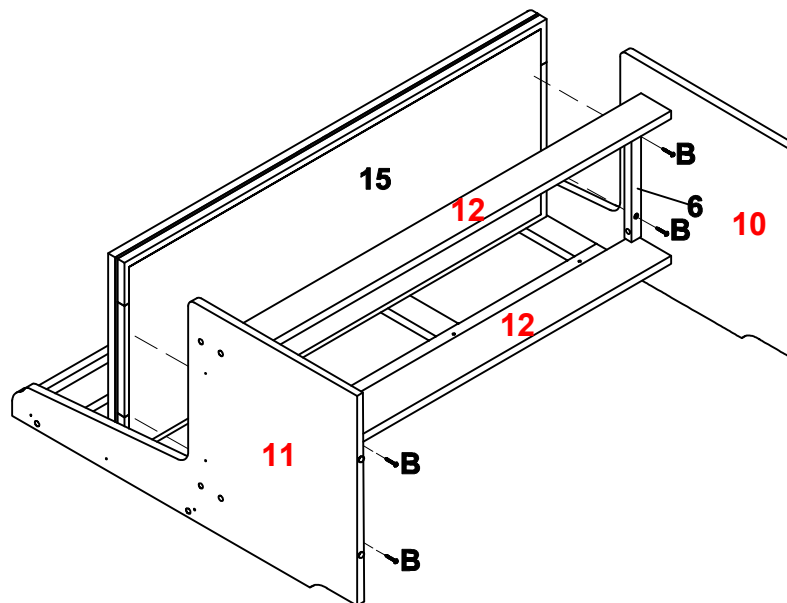
- a) With assistance, set Single Bench assembly from STEP 6 right-side up.
- b) Fit Single Bench Back Cushion (8) between Left Outside Leg (1) and Left Middle Leg (2) against Back Frame (4).
- c) Use Screw (A) to fasten (8) to (4). Use Phillips screwdriver to drive and tighten (A).

STEP 8



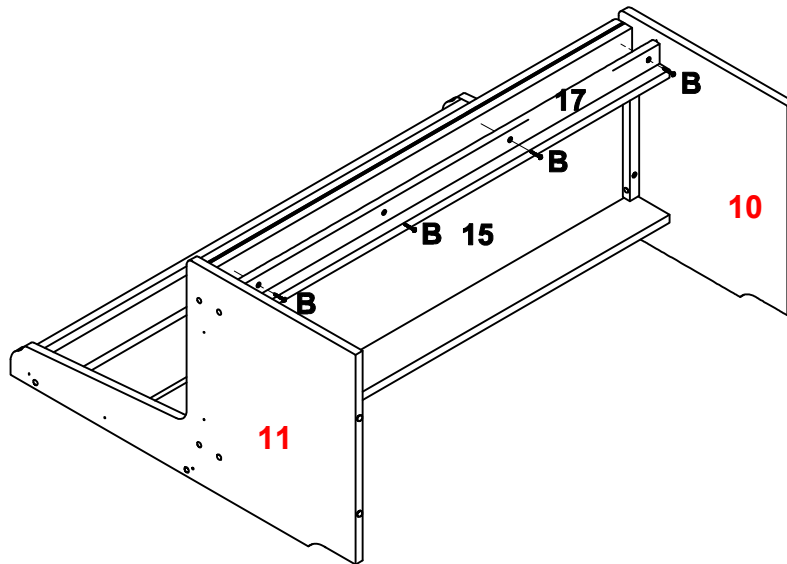
- Set Right Middle Leg (11) from STEP 2 vertically as shown.
- With assistance, attach Double Bench Apron (12) from STEP 1 to (11) via wood dowel on (12) and use Screw (C) to fasten (12) to (11). Use Phillips screwdriver to drive and tighten (C).
- With assistance, attach the Double Bench Back Frame (13) from STEP 1 to (11) via wood dowel on (4) and use Screw (C) to fasten (13) to (11). Use Phillips screwdriver to drive and tighten (C).
- With assistance, attach Right Outside Leg (10) from STEP 2 to (12) and (13). Use Screw (C) to fasten (10) to (12) and (13) and Phillips screwdriver to drive and tighten (C).

STEP 9



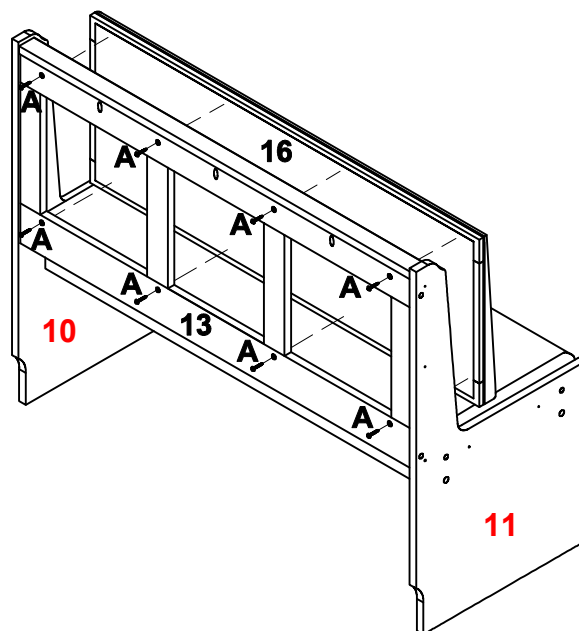
- Lay Double Bench assembly from STEP 6 on its back on a material that does not scratch or damage the parts.
- Fit Double Bench Seat (15) between Right Middle Leg (11) and Right Outside Leg (10) to sit on Double Bench Apron (12).
- Use Screw (B) to fasten (15) to Support Rail (6) and Phillips screwdriver to drive and tighten (B).

STEP 10



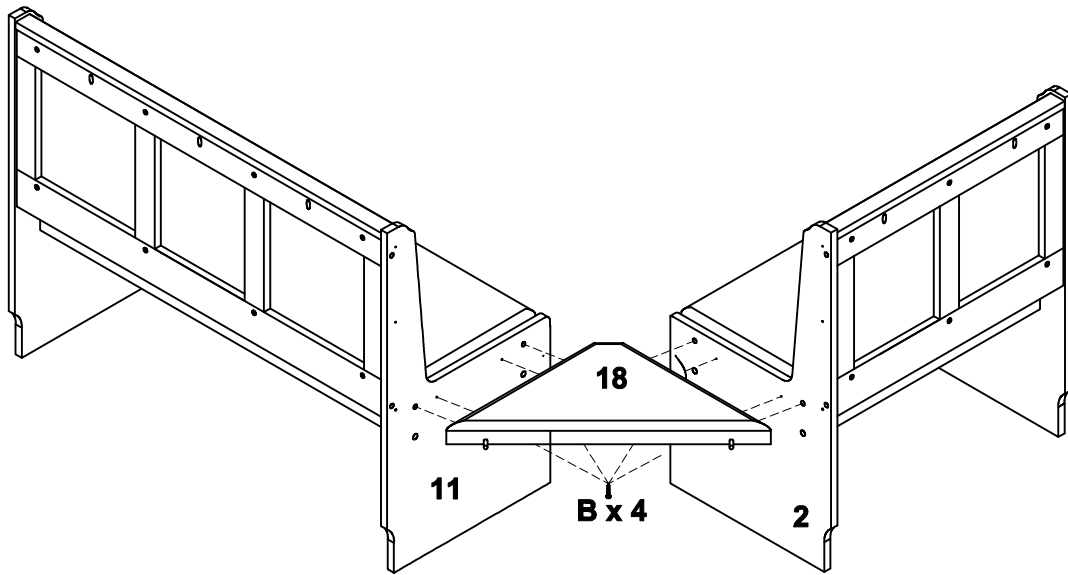
- Fit Double Bench Rail (17) below Seat (15) and between between Right Middle Leg (11) and Right Outside Leg (10).
 - Use Screw (B) to fasten (17) to (15) and Phillips screwdriver to drive and tighten (B).
-

STEP 11



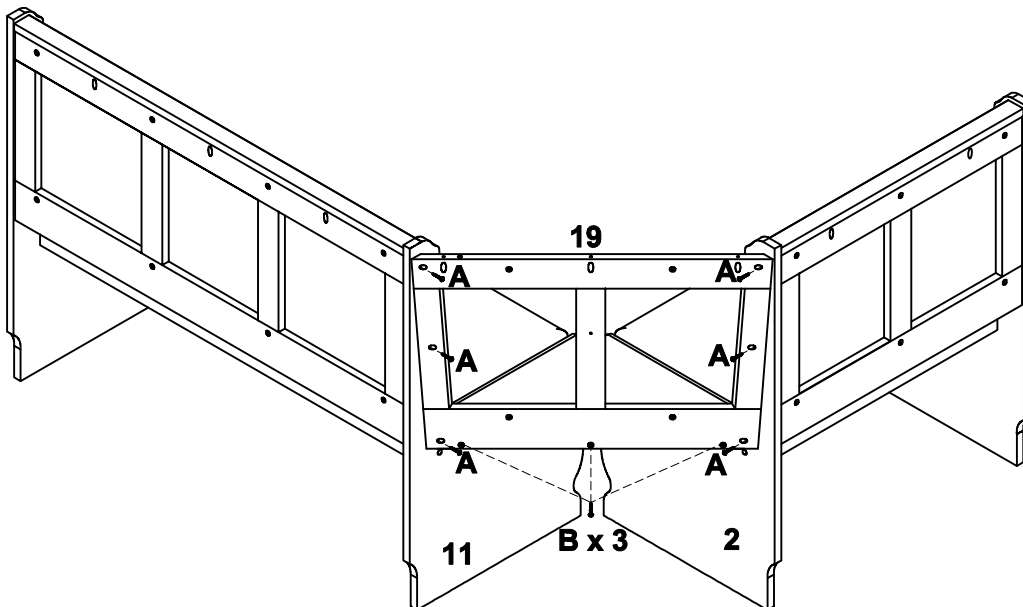
- With assistance, set Double Bench assembly from STEP 10 right-side up.
- Fit Double Bench Back Cushion (16) between Right Middle Leg (11) and Right Outside Leg (10) against Back Frame (13).
- Use Screw (A) to fasten (16) to (13). Use Phillips screwdriver to drive and tighten (A).

STEP 12



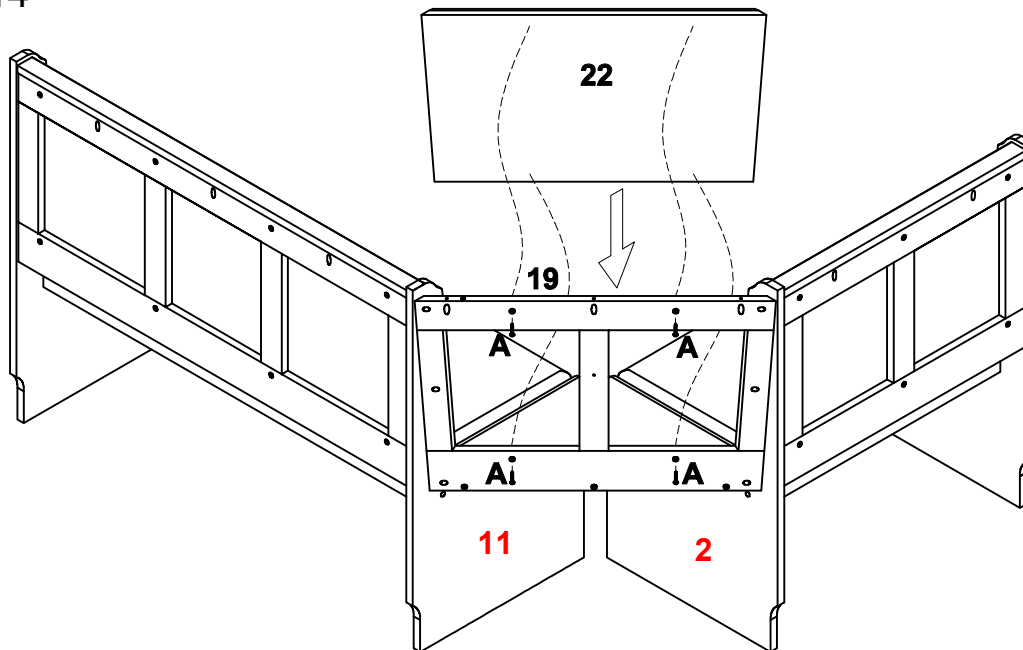
- With assistance, position Double Bench assembly from STEP 11 and Single Bench assembly from STEP 7 as shown.
- Fit Corner Bench Seat (18) between Left Middle Leg (2) and Right Middle Leg (11) and fasten (18) to (2) and (11) with Screw (B). Use a Phillips screwdriver to drive and tighten (B).

STEP 13



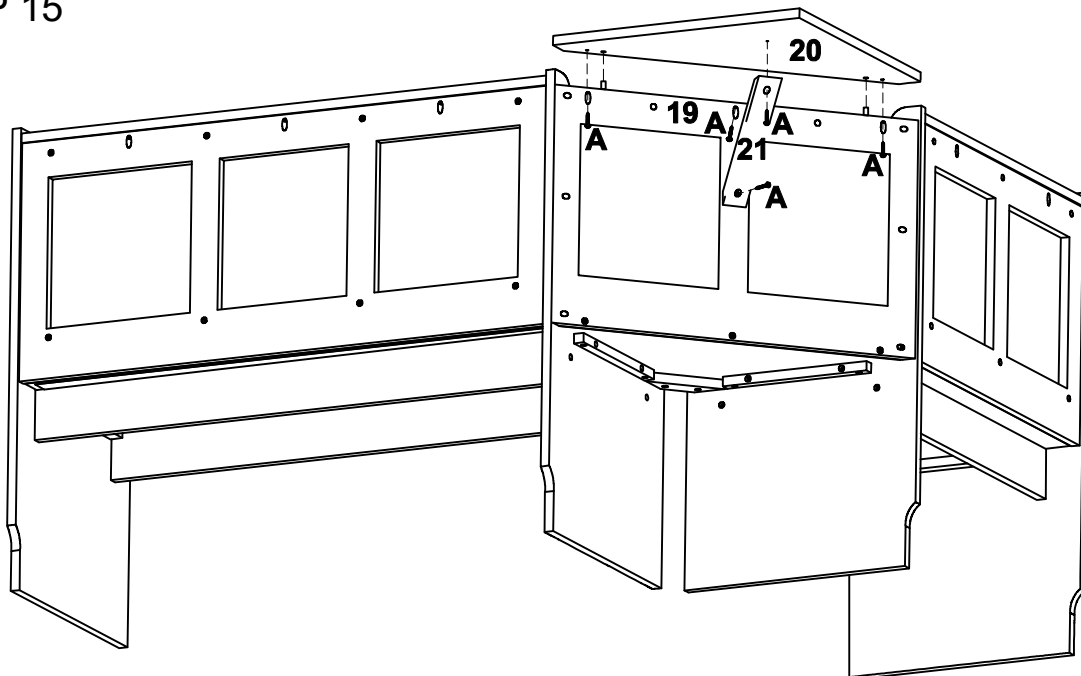
- Fit Bench Back Frame (19) from STEP 1 between Left Middle Leg (2) and Right Middle Leg (11) and seated on Corner Bench Seat. Check that the wood dowels on (19) are on the top edge.
- Use Screw (A) to fasten (19) to (2) and (11). Use a Phillips screwdriver to drive and tighten (A).
- From beneath the Corner Bench Seat, use Screw (B) to fasten (19) to rear the edge of Corner Bench Seat. Use a Phillips screwdriver to drive and tighten (B).

STEP 14



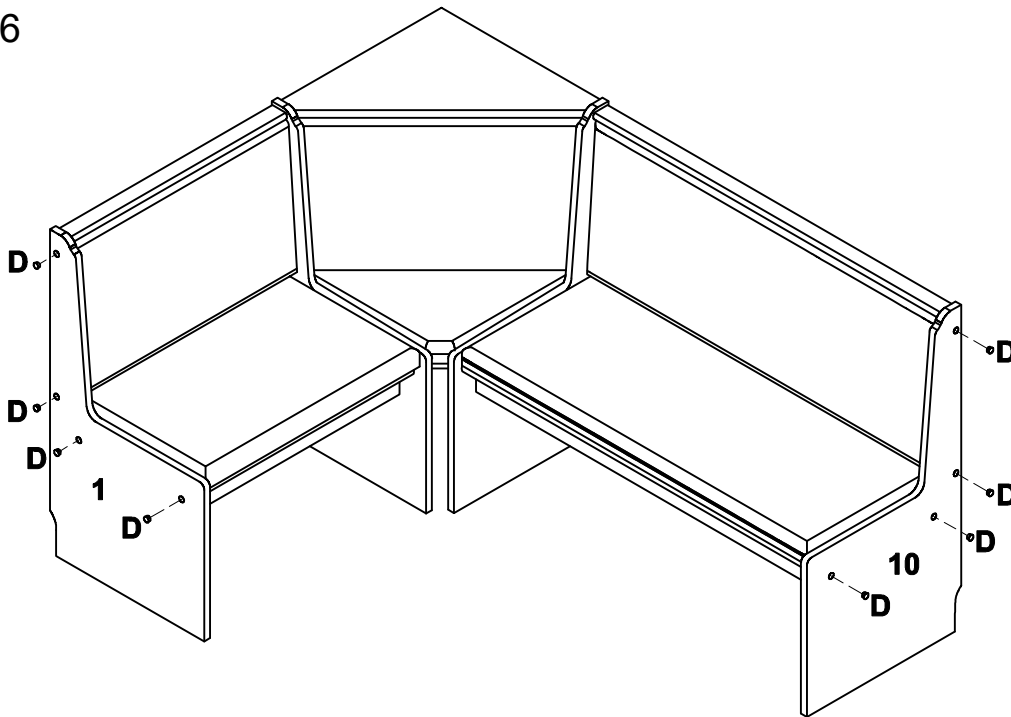
- Fit Corner Bench Back Cushion (22) between Right Middle Leg (11) and Left Middle Leg (2) against Back Frame (19).
- Use Screw (A) to fasten (22) to (19). Use Phillips Screwdriver to drive and tighten (A).

STEP 15



- Attach Corner Bench Top Panel (20), to top edge of Bench Back Frame (19) via wood dowel on (19).
- Use Screw (A) to fasten (20) to (19).
- Position Corner Bench Support (21) at an angle such the each angled end is flat against the bottom side Corner Bench Top Panel (20) and Bench Back Frame (19), and fasten with Screw (A).
- Use Phillips screwdriver to drive and tighten (A).

STEP 16

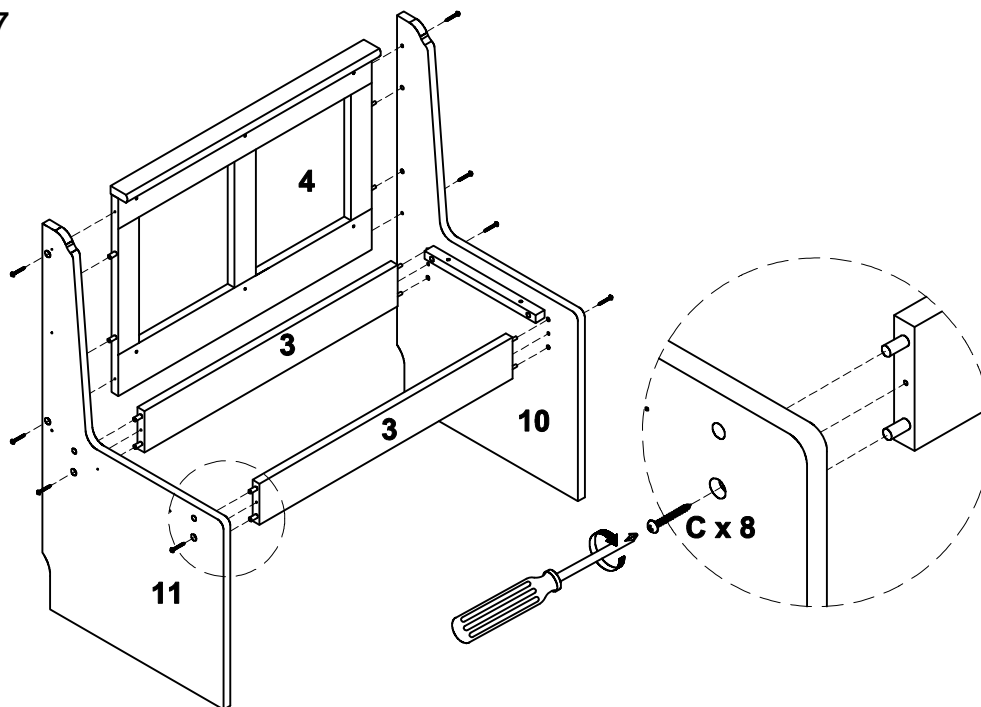


Use Cover (D) to conceal the screw holes on Left and Right Outside Leg (1 & 10).

The assembly of the Corner Bench (Left Single - Right Double configuration) is complete.

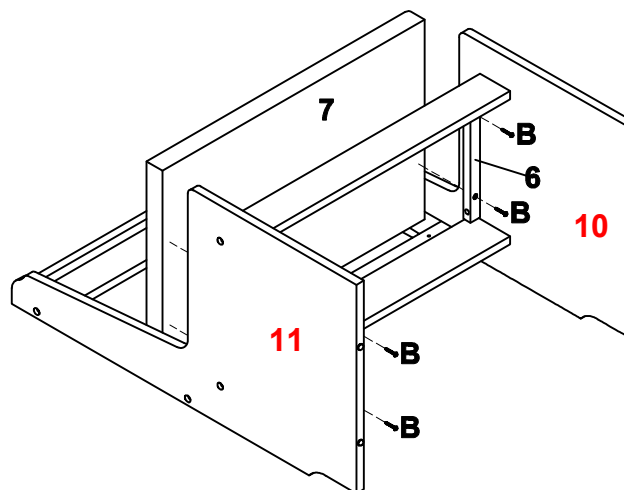
Use the proceeding STEP 17 through STEP 29 to assemble Left Double Bench / Right Single Bench configuration for the Corner Bench.

STEP 17



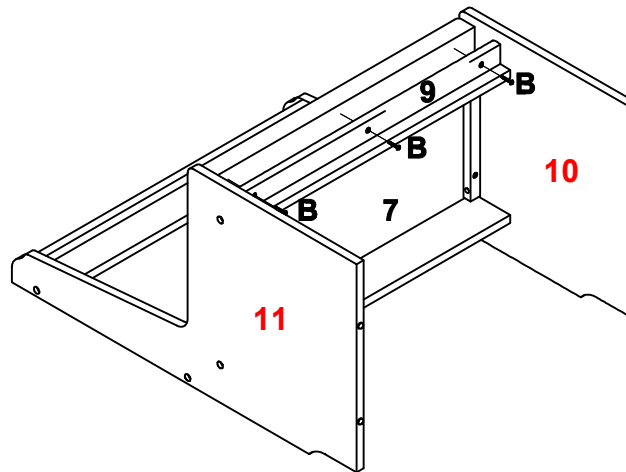
- Set Right Middle Leg (11) from STEP 2 vertically as shown.
- With assistance, attach Single Bench Apron (3) from STEP 1 to (11) via wood dowel on (3) and use Screw (C) to fasten (3) to (11). Use Phillips screwdriver to drive and tighten (C).
- With assistance, attach the Single Bench Back Frame (4) from STEP 1 to (11) via wood dowel on (4) and use Screw (C) to fasten (4) to (11). Use Phillips screwdriver to drive and tighten (C).
- With assistance, attach Right Outside Leg (10) from STEP 2 to (3) and (4). Use Screw (C) to fasten (10) to (3 and 4) and Phillips Screwdriver to drive and tighten (C).

STEP 18



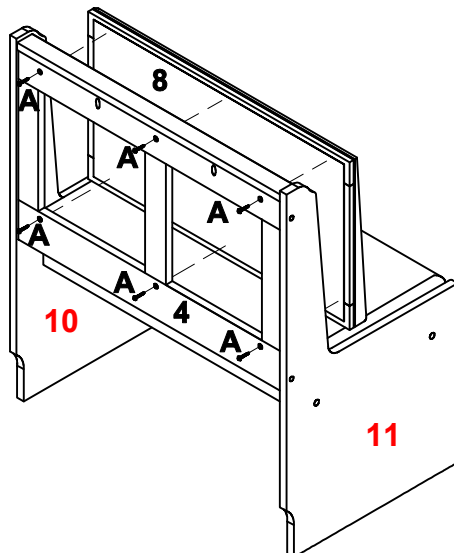
- With assistance, lay Single Bench assembly from STEP 17 on its back on a material that does not scratch or damage the parts.
- Fit Single Bench Seat (7) between Right Middle Leg (11) and Right Outside Leg (10) to sit on Single Bench Apron (3).
- Use Screw (B) to fasten (7) to Support Rail (6) and Phillips screwdriver to drive and tighten (B).

STEP 19



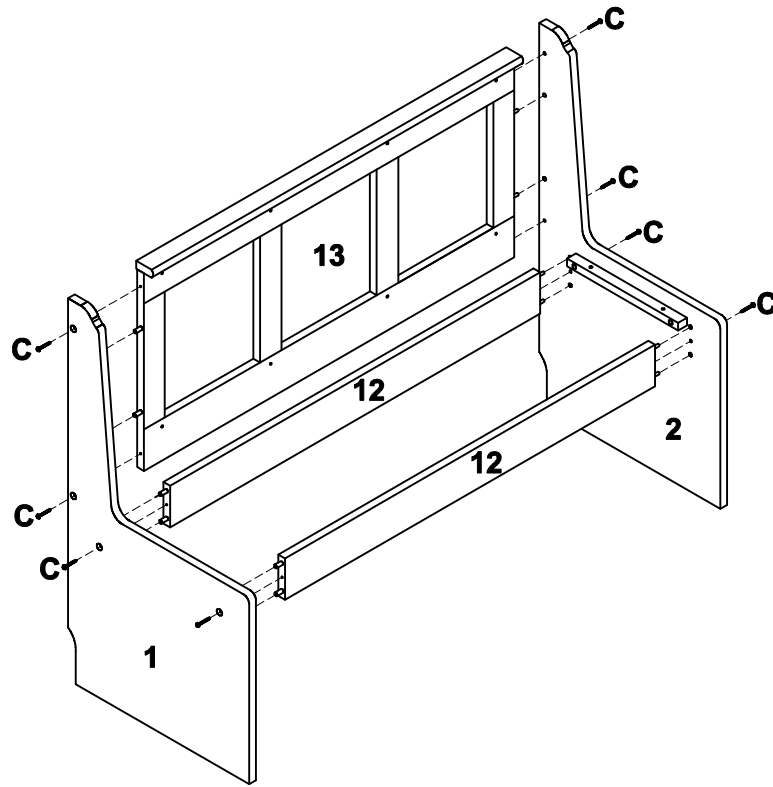
- Fit Single Bench Rail (9) under Seat (7) and between Right Middle Leg (11) and Right Outside Leg (10).
 - Use Screw (B) to fasten (9) to (7) and Phillips Screwdriver to drive and tighten (B).
-

STEP 20



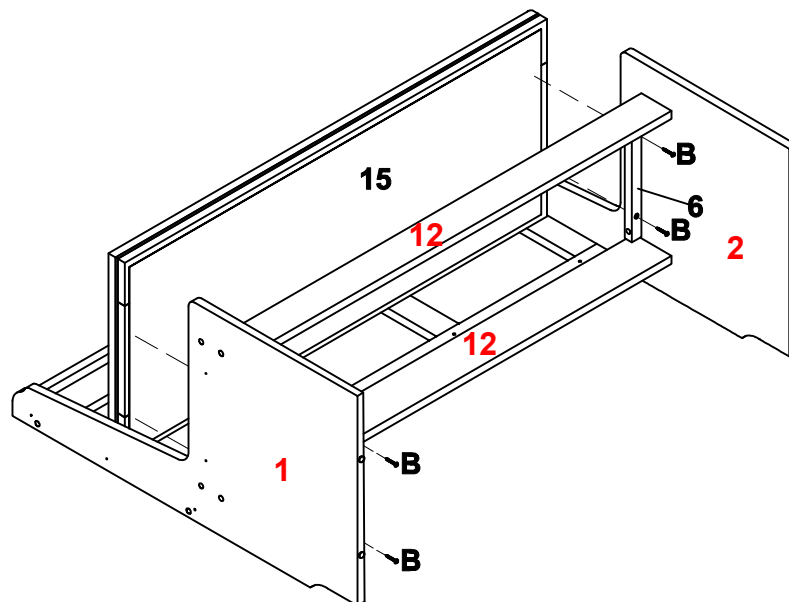
- With assistance, set Single Bench assembly from STEP 19 right-side up.
- Fit Single Bench Back Cushion (8) between Right Middle Leg (11) and Right Outside Leg (10) against Back Frame (4).
- Use Screw (A) to fasten (8) to (4). Use Phillips screwdriver to drive and tighten (A).

STEP 21



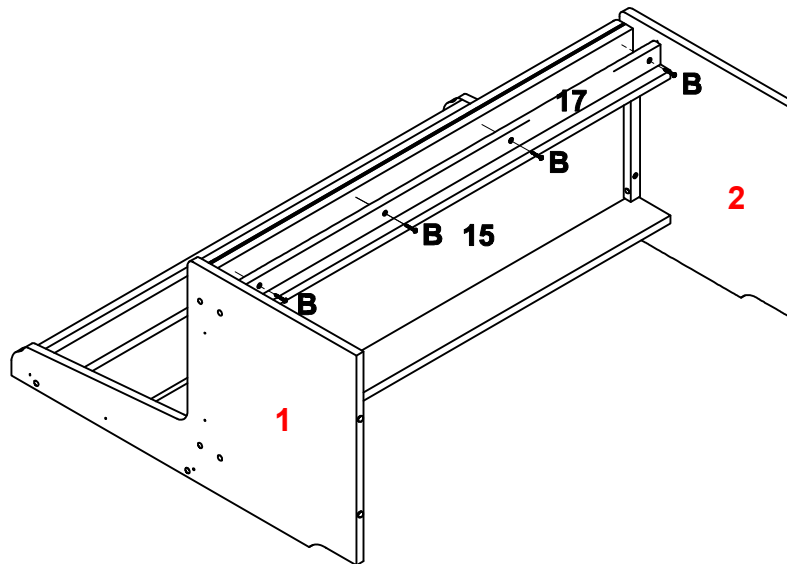
- Set Left Outside Leg (1) from STEP 2 vertically as shown.
- With assistance, attach Double Bench Apron (12) from STEP 1 to (11) via wood dowel on (12) and use Screw (C) to fasten (12) to (11). Use Phillips Screwdriver to drive and tighten (C).
- With assistance, attach the Double Bench Back Frame (13) from STEP 1 to (11) via wood dowel on (13) and use Screw (C) to fasten (13) to (1). Use Phillips screwdriver to drive and tighten (C).
- With assistance, attach Left Middle Leg (2) from STEP 2 to (12) and (13). Use Screw (C) to fasten (12) to (12 and 13) and Phillips screwdriver to drive and tighten (C).

STEP 22



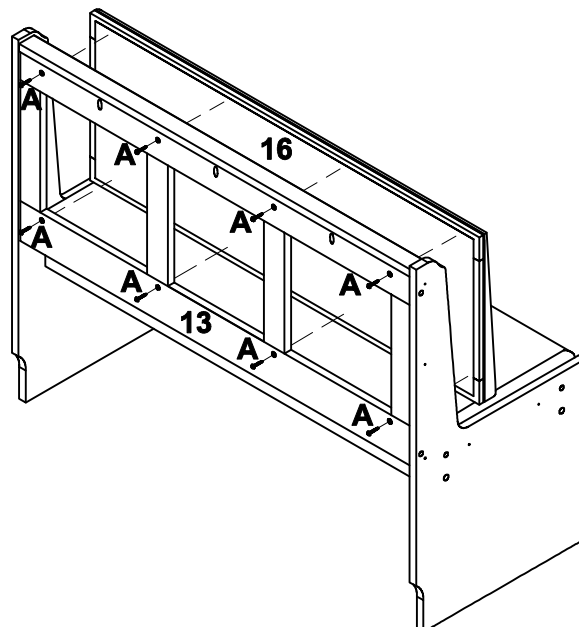
- Lay Double Bench assembly from STEP 21 on its back on a material that does not scratch or damage the parts.
- Fit Double Bench Seat (15) between Left Outside Leg (1) and Left Middle Leg (2) to sit on Double Bench Apron (12).
- Use Screw (B) to fasten (15) to Support Rail (6) and Phillips screwdriver to drive and tighten (B).

STEP 23



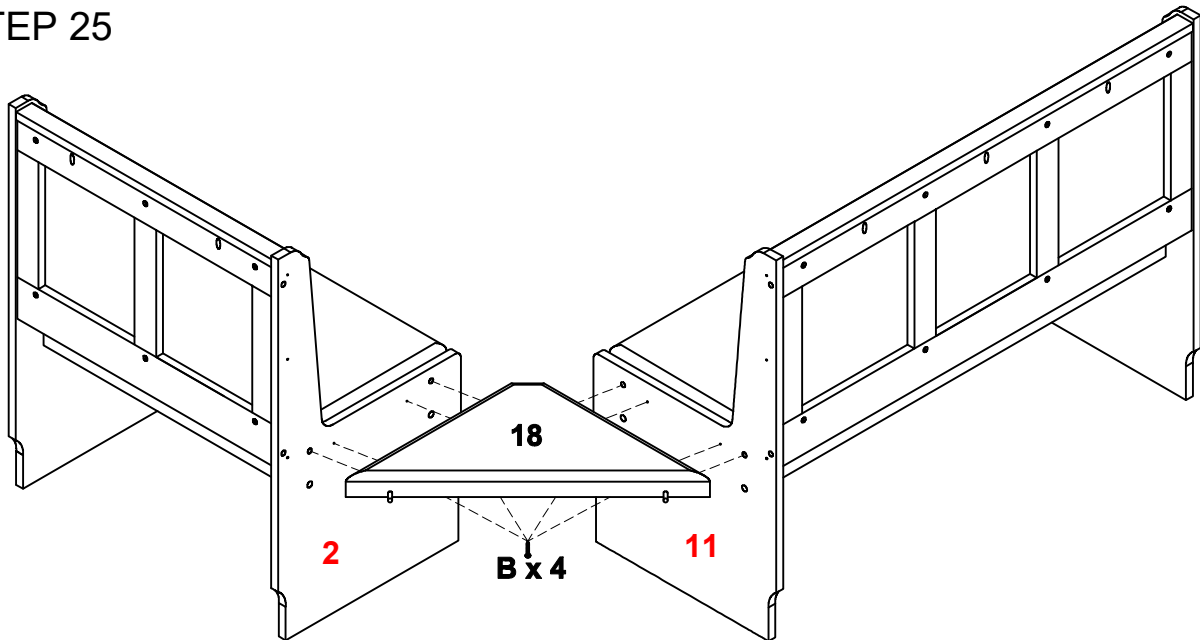
- Fit Double Bench Rail (17) below Seat (15) and between Left Outside Leg (1) and Left Middle Leg (2).
 - Use Screw (B) to fasten (17) to (15) and Phillips screwdriver to drive and tighten (B).
-

STEP 24



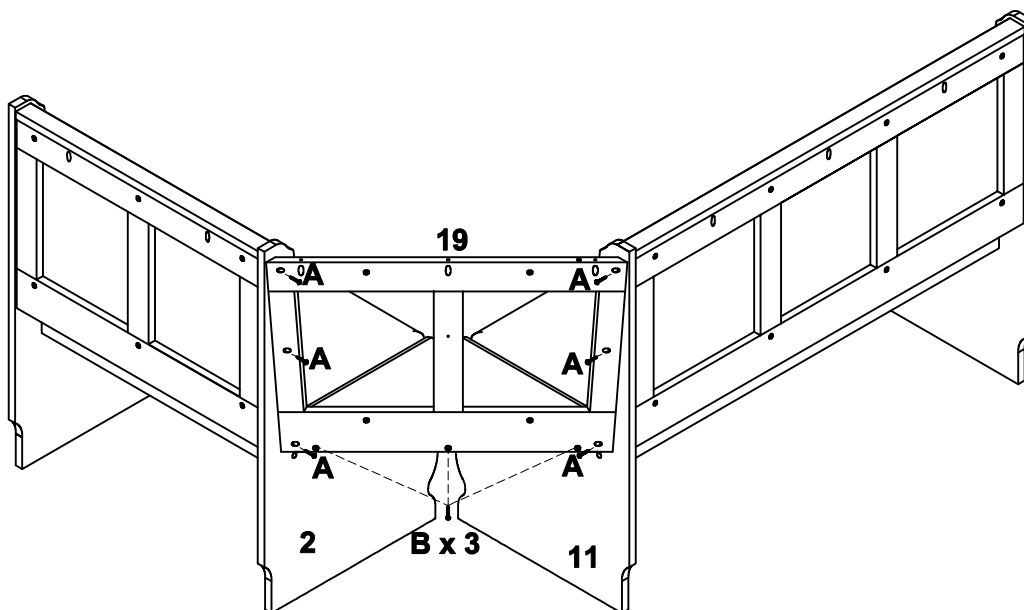
- With assistance, set Double Bench assembly from STEP 23 right-side up.
- Fit Double Bench Back Cushion (16) between Left Outside Leg (1) and Left Middle Leg (2) against Back Frame (13).
- Use Screw (A) to fasten (16) to (13). Use Phillips screwdriver to drive and tighten (A).

STEP 25



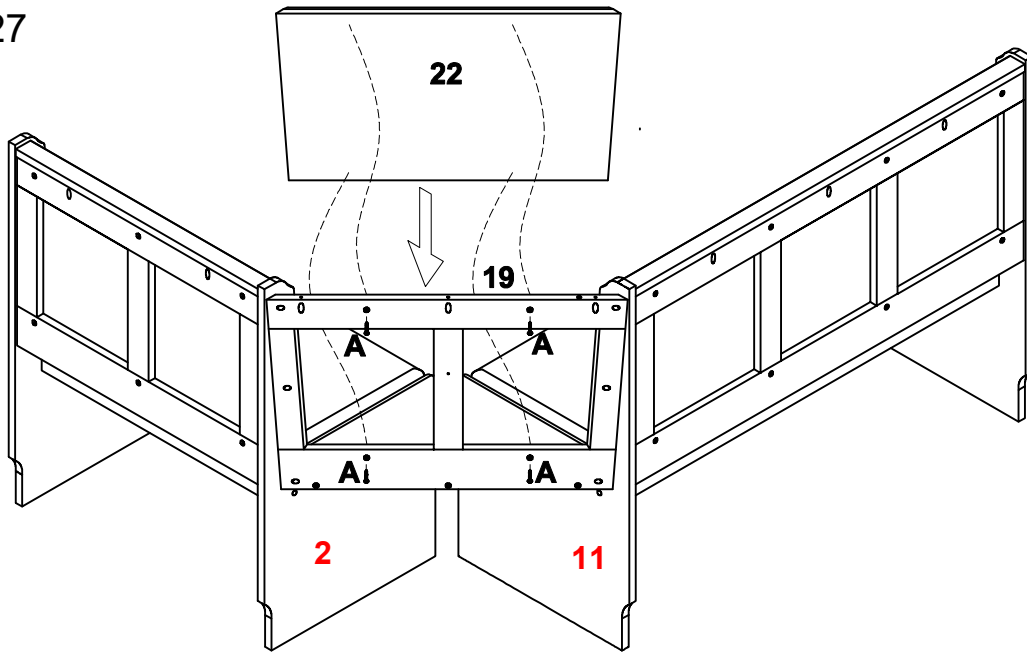
- With assistance, position Double Bench assembly from STEP 24 and Single Bench assembly from STEP 20 as shown.
 - Fit Corner Bench Seat (18) between Left Middle Leg (2) and Right Middle Leg (11) and fasten (18) to (2) and (11) with Screw (B). Use a Phillips screwdriver to drive and tighten (B).
-

STEP 26



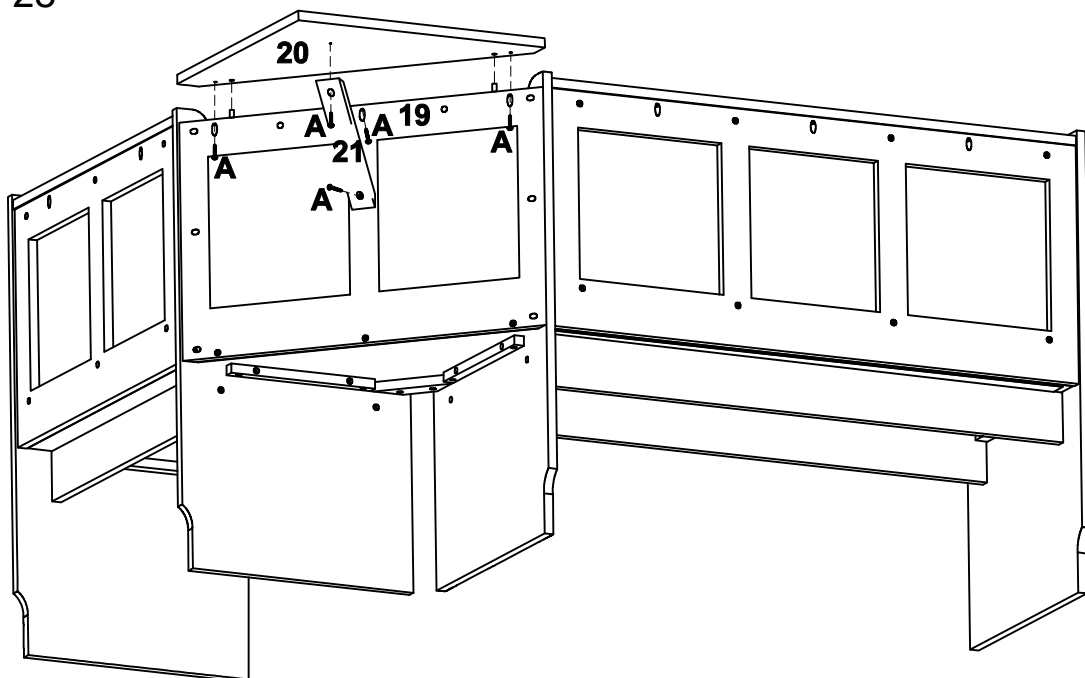
- Fit Bench Back Frame (19) from STEP 1 between Left Middle Leg (2) and Right Middle Leg (11) and seated on Corner Bench Seat. Check that the wood dowels on (19) are on the top edge.
- Use Screw (A) to fasten (19) to (2) and (11). Use a Phillips screwdriver to drive and tighten (A).
- From beneath the Corner Bench Seat, use Screw (B) to fasten (19) to the rear edge of Corner Bench Seat. Use a Phillips screwdriver to drive and tighten (B).

STEP 27



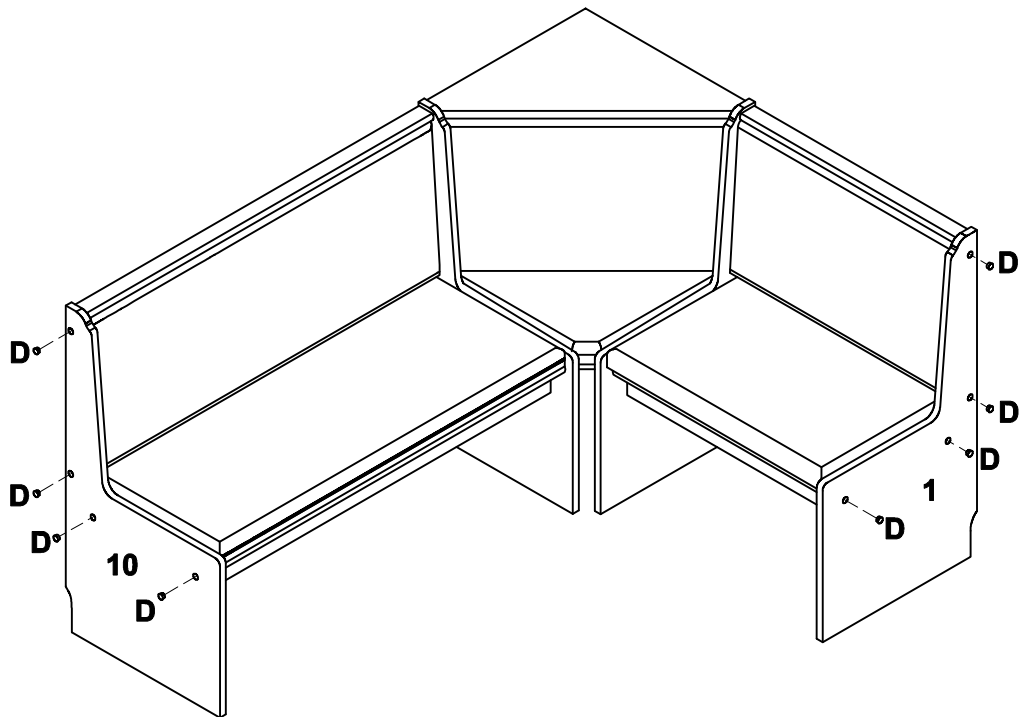
- Fit Corner Bench Back Cushion (22) between Left Middle Leg (2) and Right Middle Leg (11) against Back Frame (19).
 - Use Screw (A) to fasten (22) to (19). Use Phillips Screwdriver to drive and tighten (A).
-

STEP 28



- Attach Corner Bench Top Panel (20), to top edge of Bench Back Frame (19) via wood dowel on (19).
- Use Screw (A) to fasten (20) to (19).
- Position Corner Bench Support (21) at an angle such the each angled end is flat against the bottom side Corner Bench Top Panel (20) and Bench Back Frame (19), and fasten with Screw (A).
- Use Phillips screwdriver to drive and tighten (A).

STEP 29



Use Cover (D) to conceal the screw holes on Left and Right Outside Leg (1 & 10).

The assembly of the Corner Bench (Left Double - Right Single configuration) is complete.