

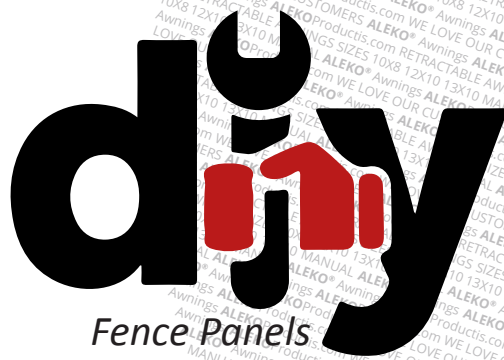
# 5X5

Do-It-Yourself

# FENCE PANELS

# Installation Guide

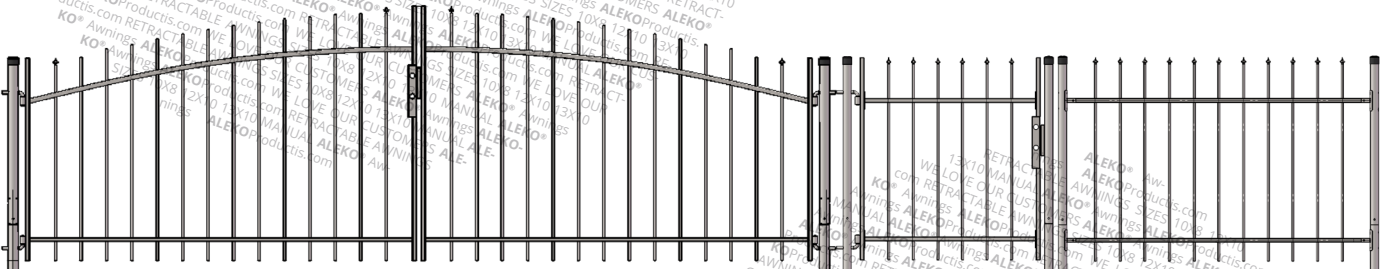
**ALEKO®**  
[WWW.ALEKOPRODUCTS.COM](http://WWW.ALEKOPRODUCTS.COM)



# DO-IT-YOURSELF INSTALLATION GUIDE

## TABLE OF CONTENTS

|  |   |
|--|---|
| Locate Buried Utilities .....                          | 3 |
| Local Building and Safety Codes .....                  | 3 |
| Required Tools .....                                   | 3 |
| Fence / Gates Sizes and Installation Information ..... | 4 |
| Post Installation .....                                | 4 |
| Fence Installation Instructions .....                  | 5 |
| Fence Diagram / Technical Drawings .....               | 6 |



# BEFORE YOU START



## **IMPORTANT Call 811 Before You Dig to Locate Buried Utilities!**

It is extremely important to call before you dig to avoid damaging buried water, electrical, and gas lines. Call 811 at least a few days prior to starting your project; each state has its own 811 call center to assist you. Whether you intend to install your gate yourself or prefer to hire a professional, always call in advance to avoid delays.

## Confirm Local Building and Safety Codes

Building and safety codes vary in each state and county, especially if you wish to add gate automation to your project in the future. Your local building and fire inspectors can advise you on what your local codes are.

## We're Here to Help

Do you have questions about your product? Our customer support and technical team are here for you. Simply call us or send us an email.

[www.ALEKOProducts.com](http://www.ALEKOProducts.com)

★ [ALEKO.REVIEWS](http://ALEKO.REVIEWS)

✉ [sales@ALEKOProducts.com](mailto:sales@ALEKOProducts.com)

📞 +1 (888) 246-8596

# INTRODUCTION

## Required Tools for Post Installation

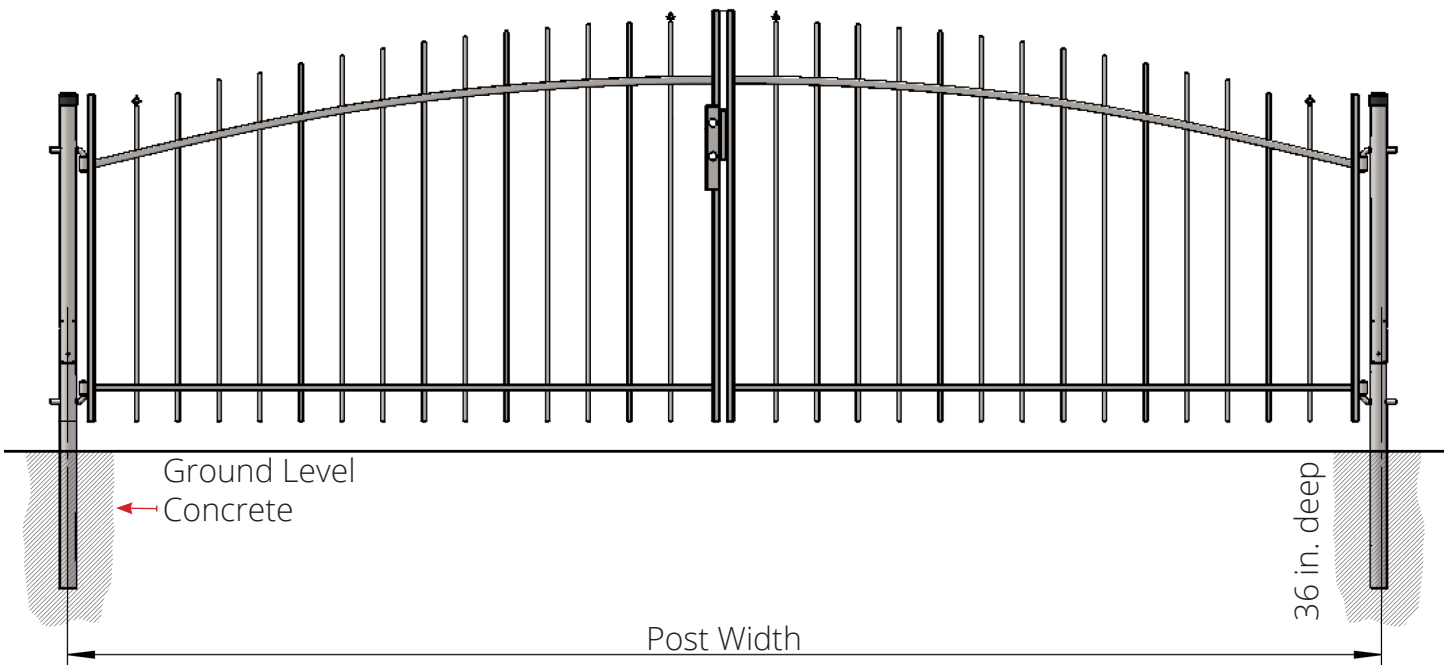
Please be sure to gather these necessary tools before beginning your project:

- Tape measure
- Can of white paint to mark post holes for 811 locator (athletic striping)
- (2) Stakes
- Mallet
- Quick-set concrete (7-8 bags)
- Hoe (for mixing the concrete)
- Water bucket
- Wheelbarrow
- Post hole digger
- Shovel
- Box beam level
- Line level
- String line
- Wrenches (3/4-inch and 1/2-inch)
- Grease gun

## Fence / Gate Sizes and Gate Post Installation Distances

In the table below, locate your gate size to find the corresponding distance between the insides of the gate posts. This is necessary for a successful gate installation.

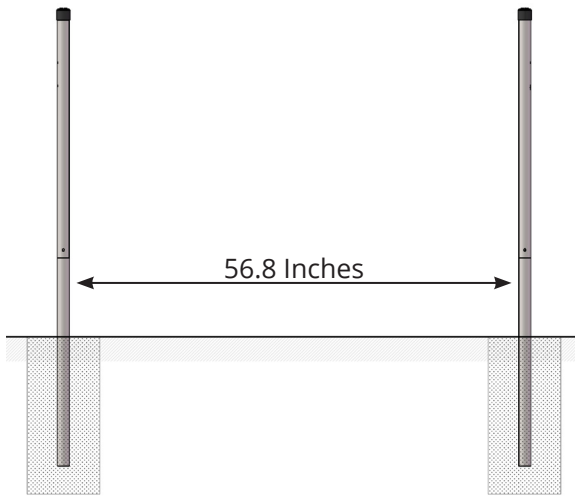
| Gate Size             | Post Distance - Inch | Post Distance - Feet |
|-----------------------|----------------------|----------------------|
| 3 x 5 Pedestrian Gate | 52 inches            | 4.3 feet             |
| 5 x 5 Fence Panel     | 60 inches            | 5 feet               |
| 11 x 5 Gate           | 133 inches           | 11.08 feet           |
| 13 x 5 Gate           | 157 inches           | 13.08 feet           |
| 15 x 5 Gate           | 181 inches           | 15.08 feet           |



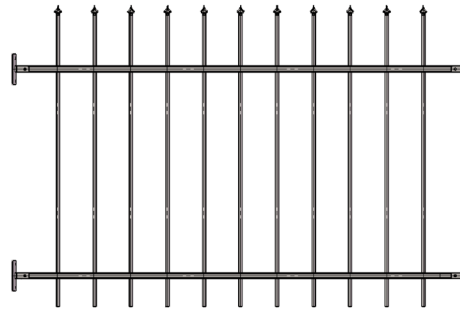
## INSTALLING THE POSTS

1. Mark the post locations with an (X) in white paint, then **call 811** to discover if buried utilities are in your dig area.
2. After a locator has come to your property and located and marked all buried utilities, begin to dig the holes in the locations that you marked. Dig these holes 36 inches deep.
3. Place your posts in the holes and double check that they are completely level. Also be sure to check that they are the correct distance apart. To confirm this, pull a string level firmly from post to post.
4. To adjust the post height, use a mallet to pound down on the posts to further lower them into the ground. If the posts need to be raised, add fill dirt under the posts.
5. Mix the concrete and fill the post holes. Take great care to not move the posts as you do this!
6. **IMPORTANT!!!** The posts must be left alone, untouched, for 3-4 days to allow the concrete to set. Do not disturb the posts too early!

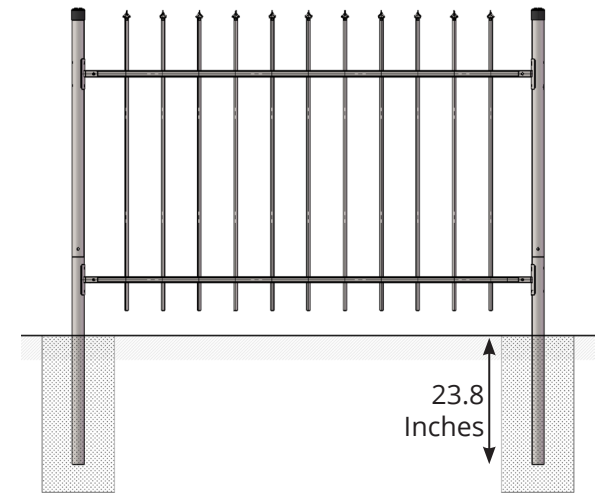
# FENCE PANEL INSTALLATION INSTRUCTIONS



**STEP ONE:** Follow the Post Installation Instructions, install your fence posts perpendicular to the ground.



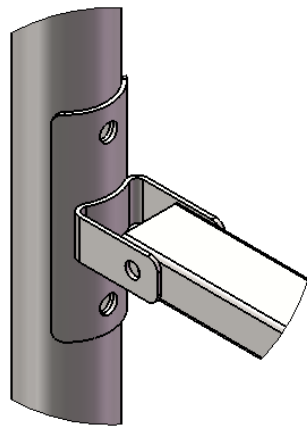
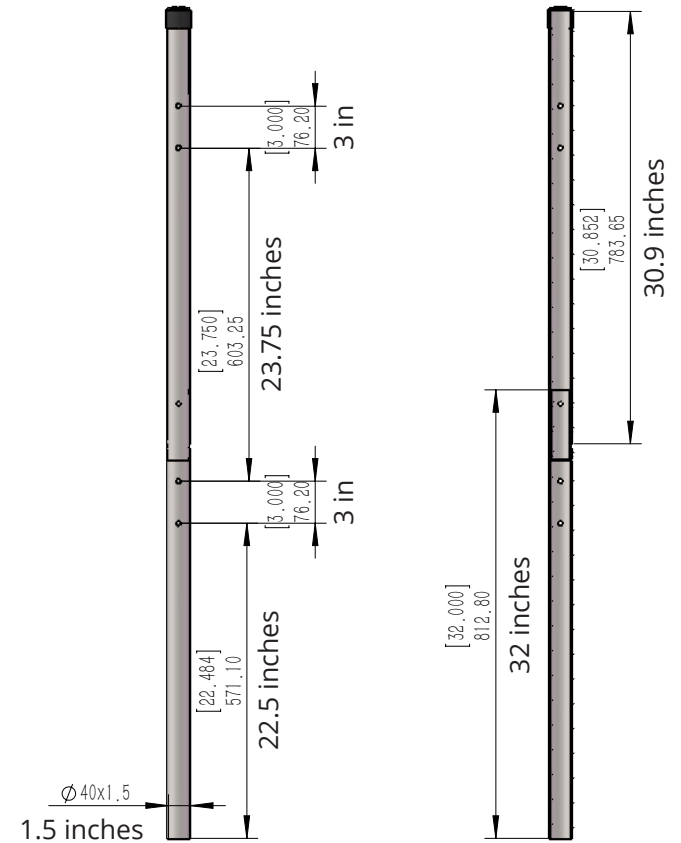
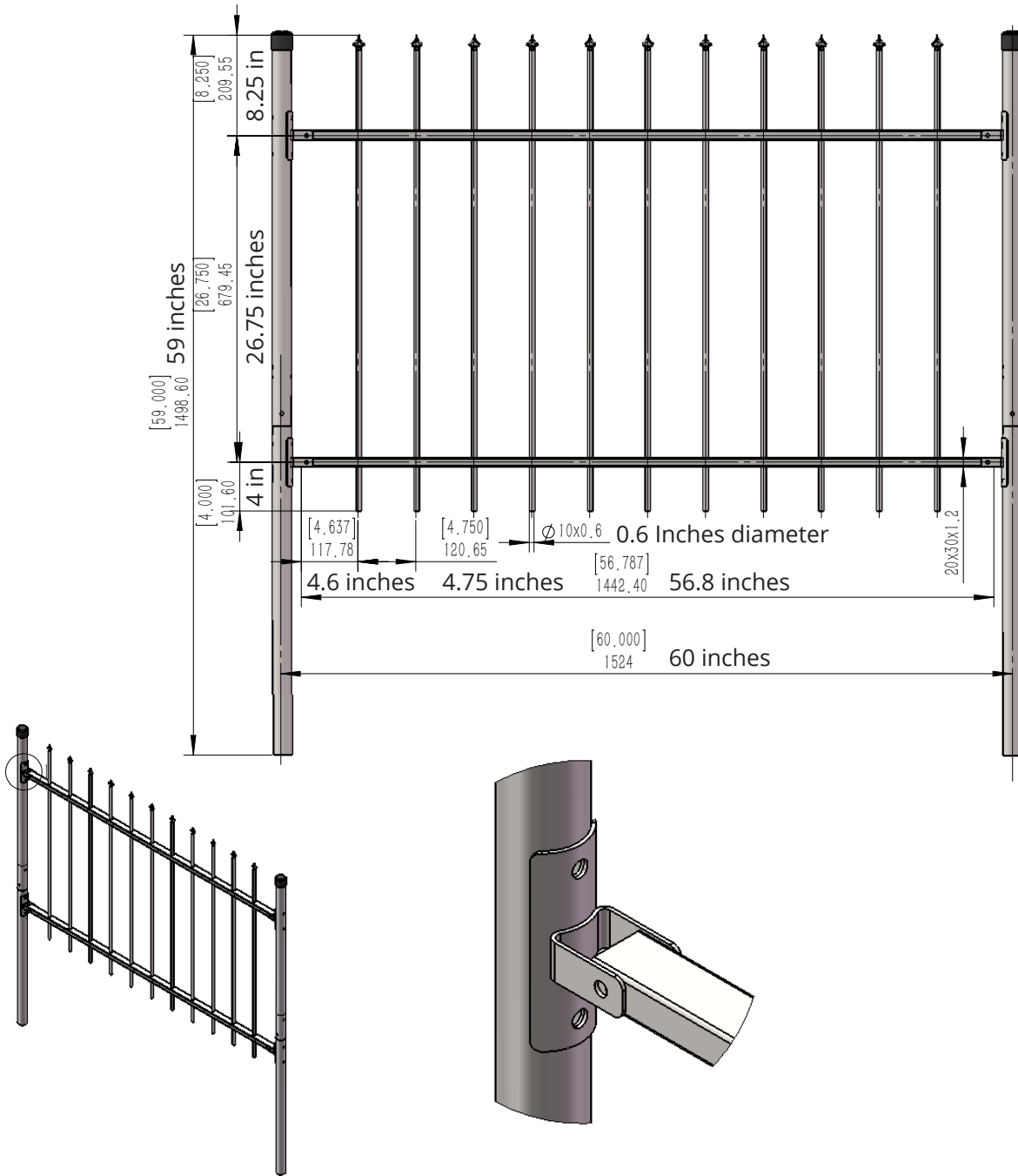
**STEP TWO:** Install the mounting plates onto both sides of the fence panel.



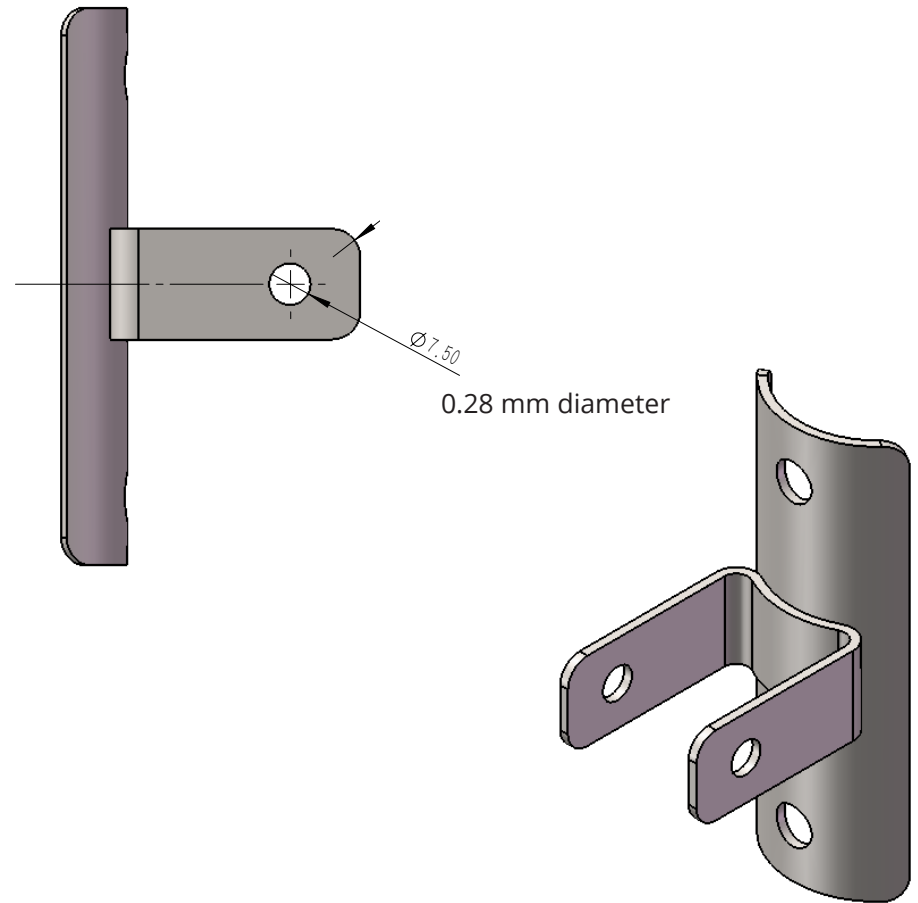
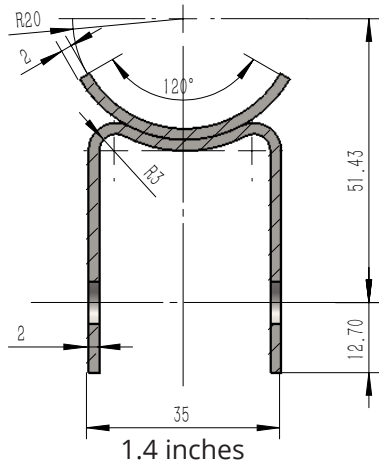
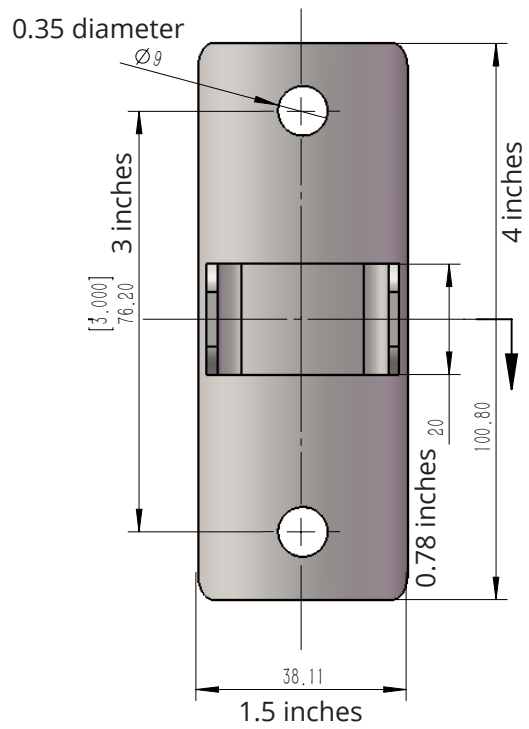
**STEP THREE:** Install the fence panel onto the post with a self-tapping screw.

Please Note: Actual product may appear slightly different in real life.

# FENCE PANEL DIAGRAM

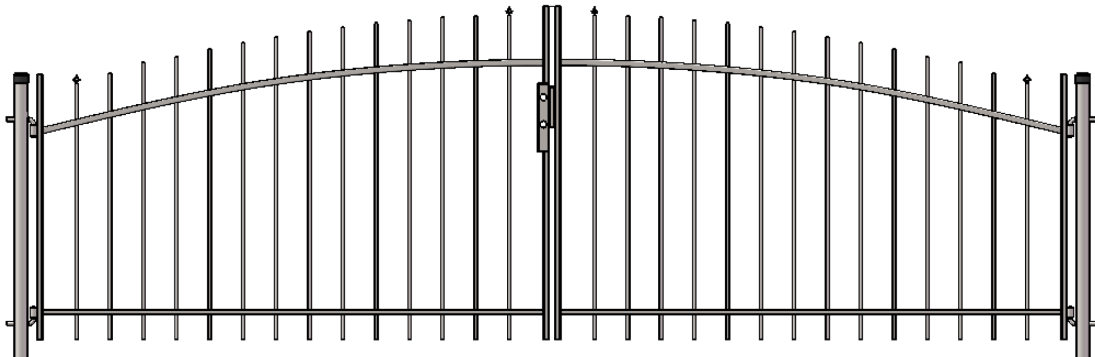


# FENCE PANEL DIAGRAM



## With your DIY Iron Wrought Gate assembled and in place, your home security needs the final finish.

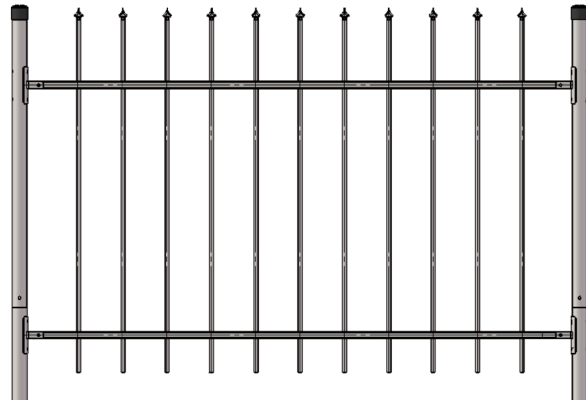
Featuring coordinating designs and durable powder coated steel, our pedestrian gates and fence gates capture the historic elegance that enhances the aesthetic you'd like to achieve after assembling your main DIY gate.



**DRIVEWAY GATES** - Size options 11x5 13x5 5x5



**PEDESTIAN GATE** - 3x5



**FENCE PANEL** - 5x5



### **GG900ACC**

Complete your new gate arrangement with our gate opener that offers remote usage and avoids manual operation while driving your vehicle.

Easily access your driveway with the simple and smooth control, feel and movement of this gate opener.

SCAN QR CODE WITH YOUR MOBILE  
DEVICE FOR MORE INFORMATION



## ALEKO Products

8307 S 192ND ST. KENT, WA 98032  
SALES@ALEKOPRODUCTS.COM  
PHONE: +1 (888) 246-8596  
ALEKOPRODUCTS.COM  
YOUTUBE.COM/ALEKOPRODUCTS