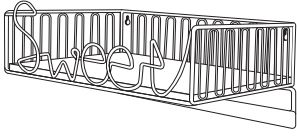


# Installation

---



Board Holder  
1 pcs



Hook  
2 pcs



Screw  
2 pcs

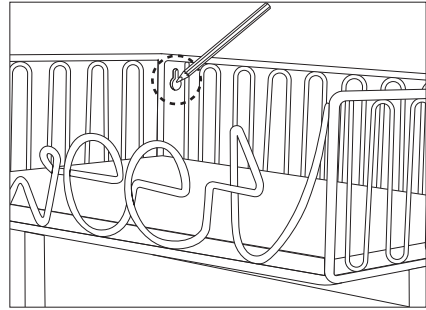


Wall Plug  
2 pcs

---

## Step 1:

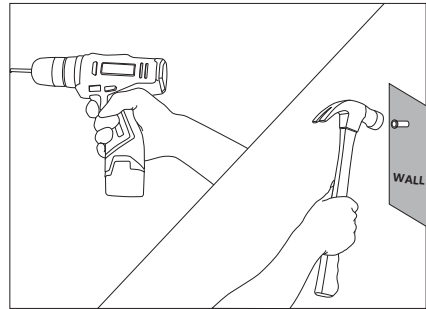
Keep the wood board horizontally, then mark two gauge points from the holes at top of iron brackets.



---

## Step 2:

Drill holes at the marked points and hammer wall plugs into the holes.



---

## Step 3:

Hang the holder on the screws. The hooks can be attached to the bar below the holder.

