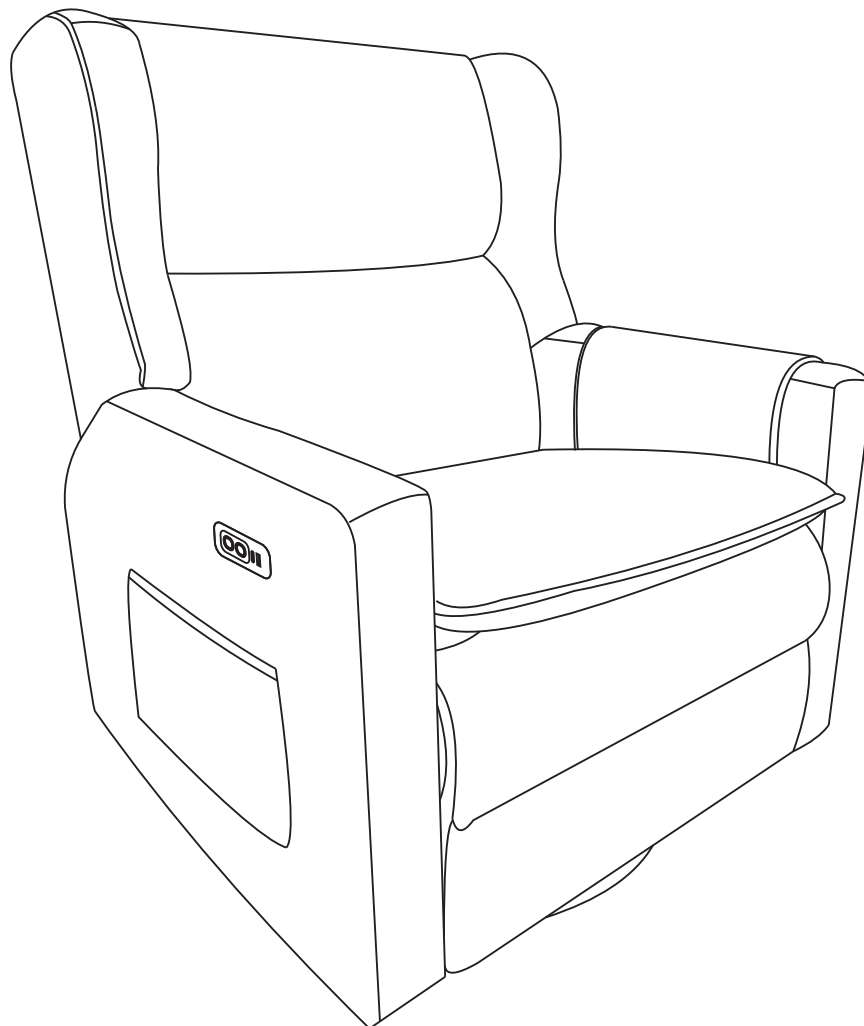


PR004 MANUAL

Adjustable Headrest Nursery
Swivel Glider Recliner



1、 ASSEMBLE GUIDE

Thank you very much for choosing our product!

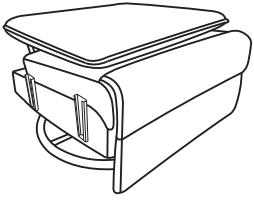
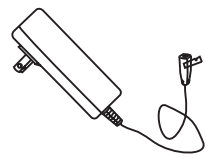
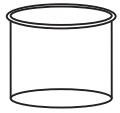
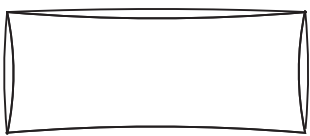
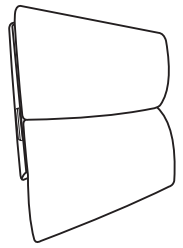
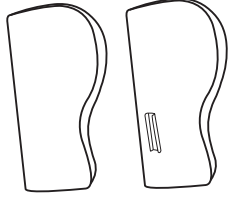
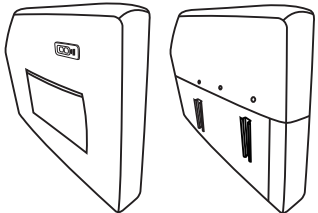
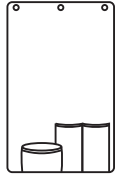
Please take time to read these instructions thoroughly and follow each step carefully for safe and easy operation. Keep this manual for future reference, especially for the safety information.

Also, it is better for you to assemble the chair in cooperation with 2-person, having a second person to help you makes it even easier.

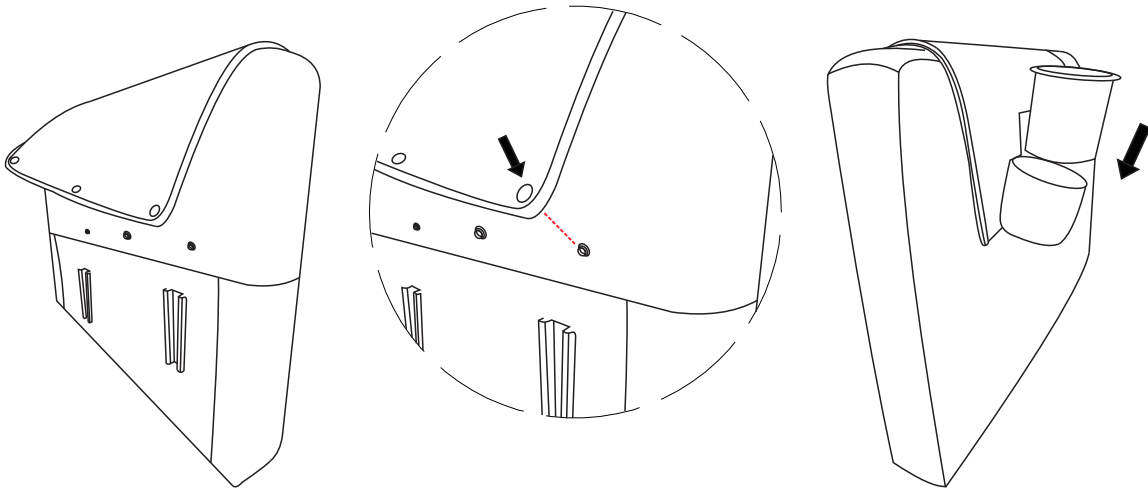
Please read and understand this manual before any assembly. Before beginning assembly of product, make sure all parts are present. Compare parts with packaging contents list.

If any part is missing, damaged and any questions, please feel free to contact us.

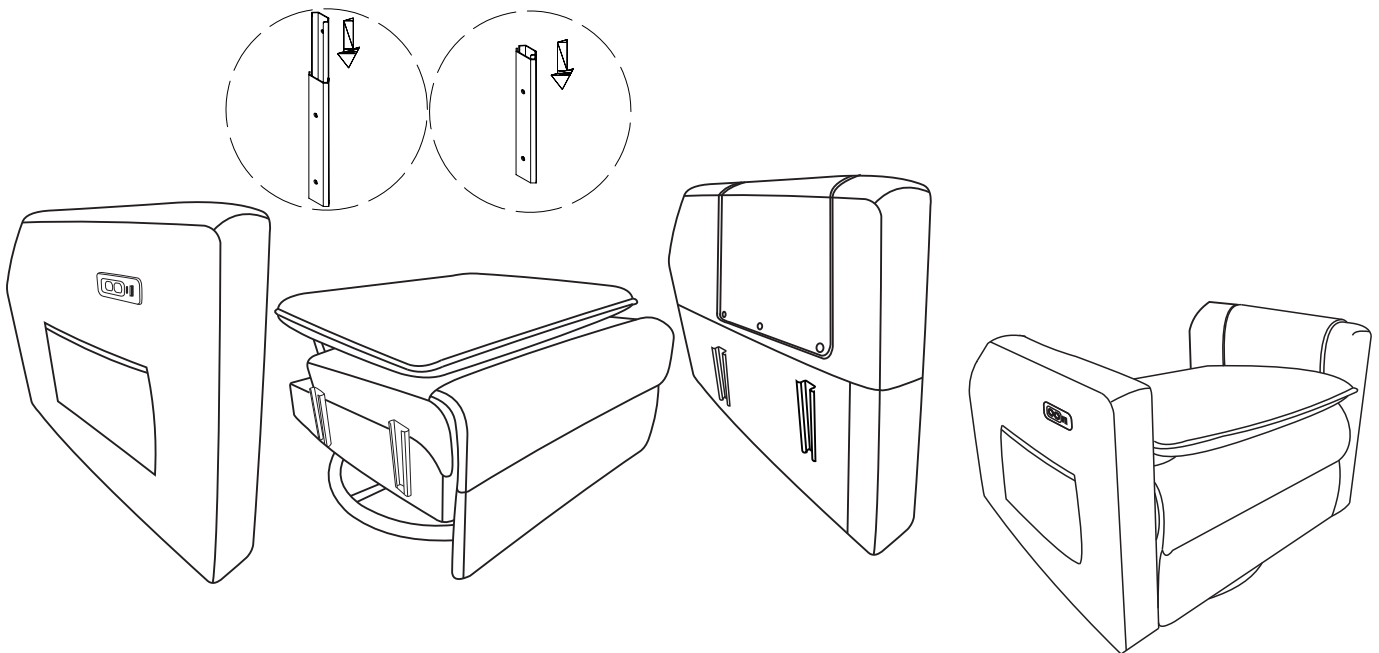
2、PARTS LIST

BOX 1			
Part	A	B	
Description			
Qty	1PC	1PC	
Part	F	G	
Description			
Qty	1PC	1PC	
BOX 2			
Part	C	D	E
Description			
Qty	1PC	2PCS	2PCS
Part	Description		Qty
H			1PC

3、 ASSEMBLY STEPS

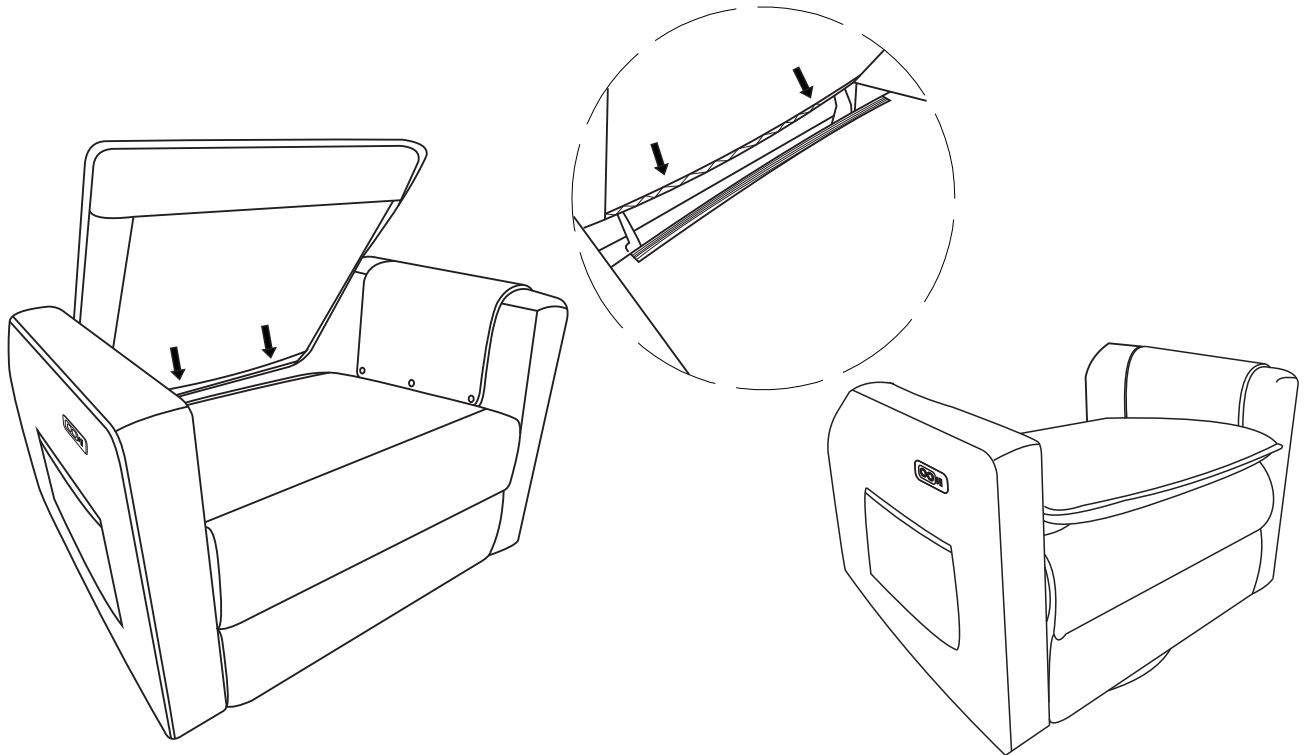


Step 1: Fasten the buttons, install the coasters in the armrests and put in the cup holders

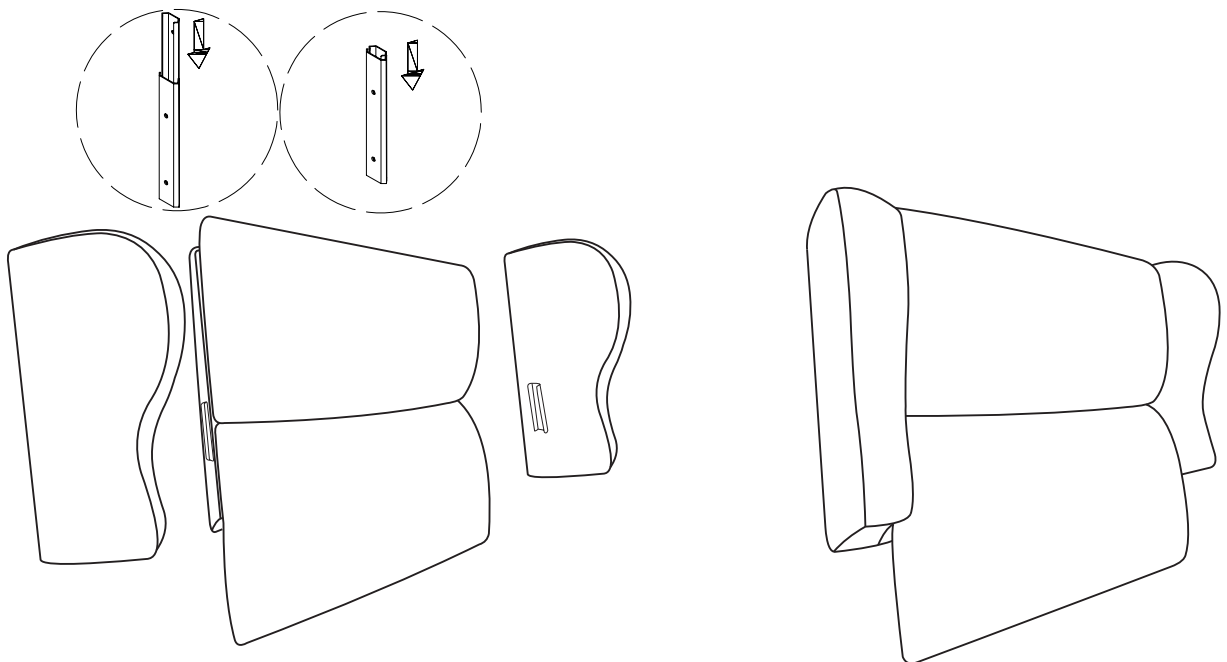


Step 2: Insert the pins to secure the left and right armrests to the seat.

3、 ASSEMBLY STEPS

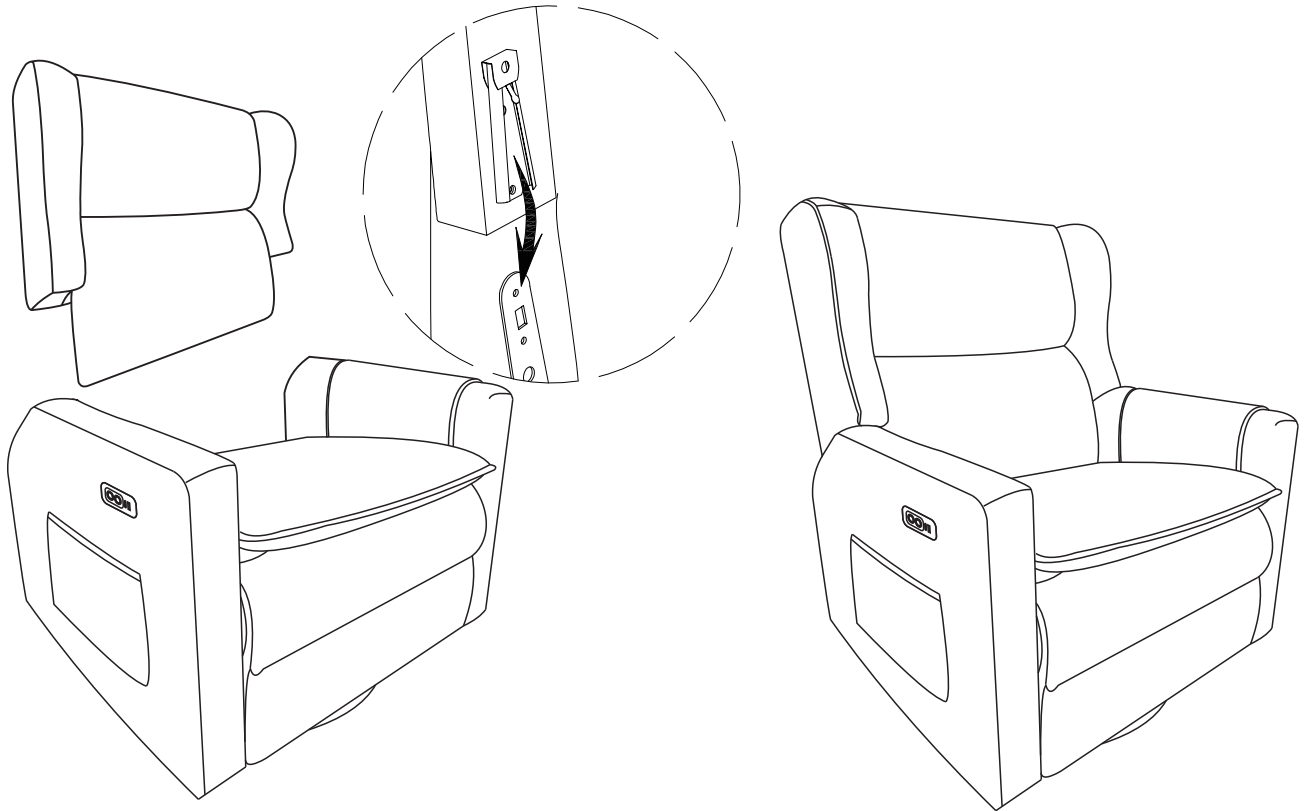


Step 3: Attach the zip to place the cushion on the seat.

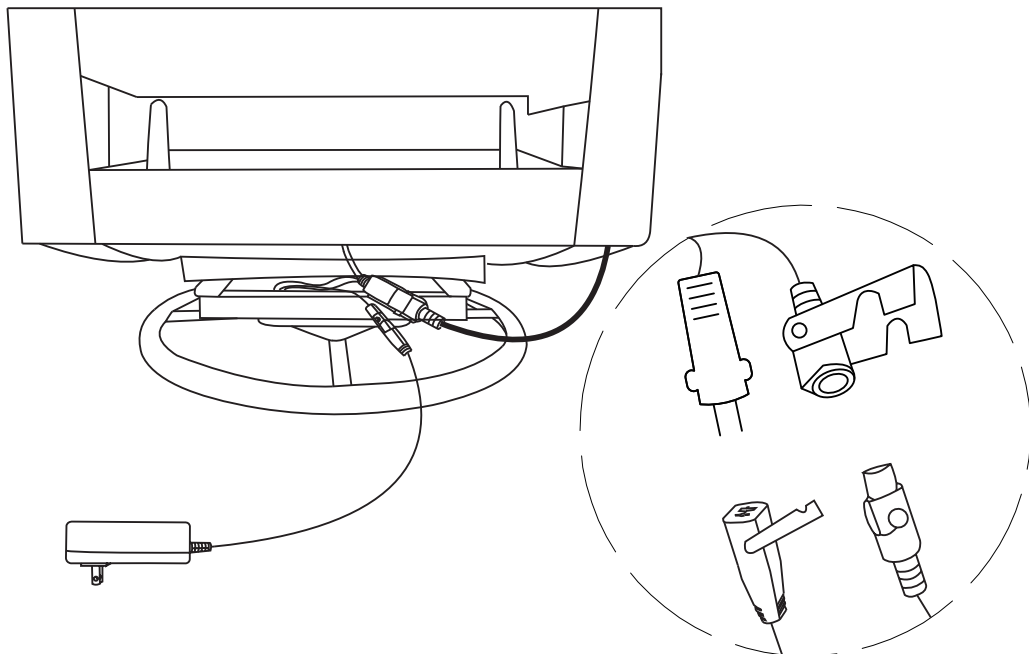


Step 4: To complete the backrest assembly, attach the left and right ear pads to the back plate.

3、 ASSEMBLY STEPS

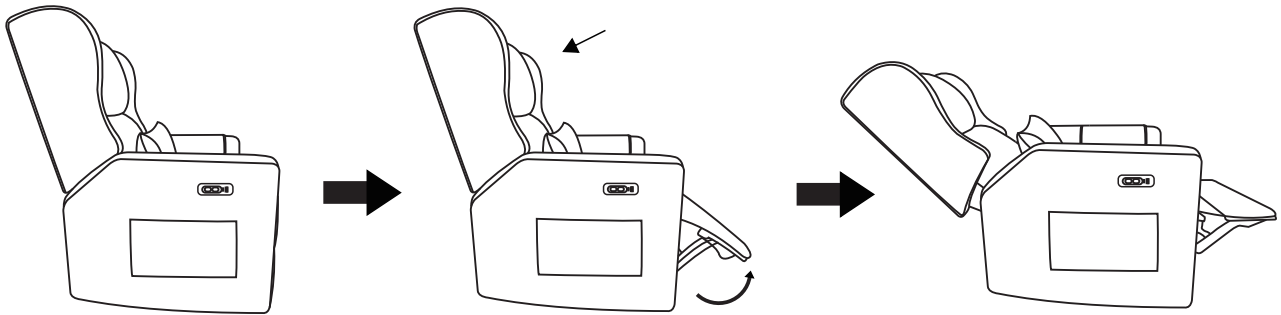
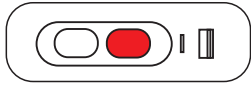


Step 5: Insert pins to attach the backrest to the seat.

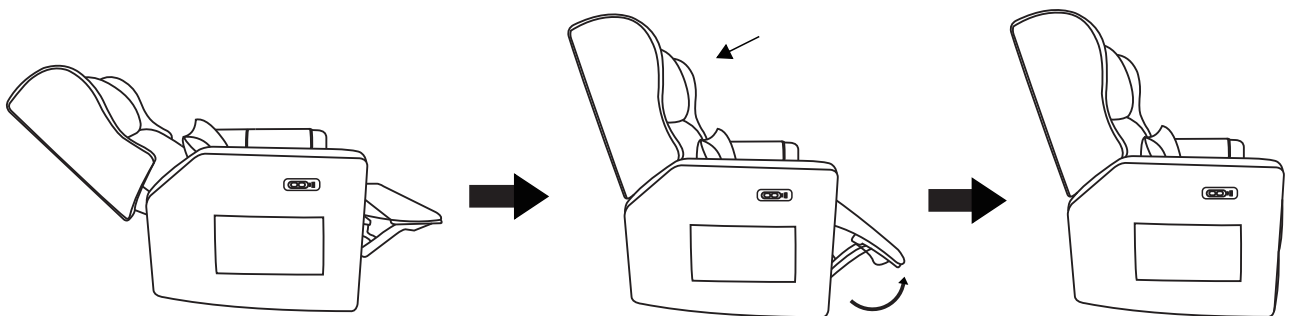
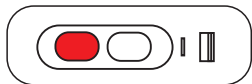


Step 6: Connect the control button terminals to the product and connect the power supply.

4、 OPERATING INSTRUCTIONS

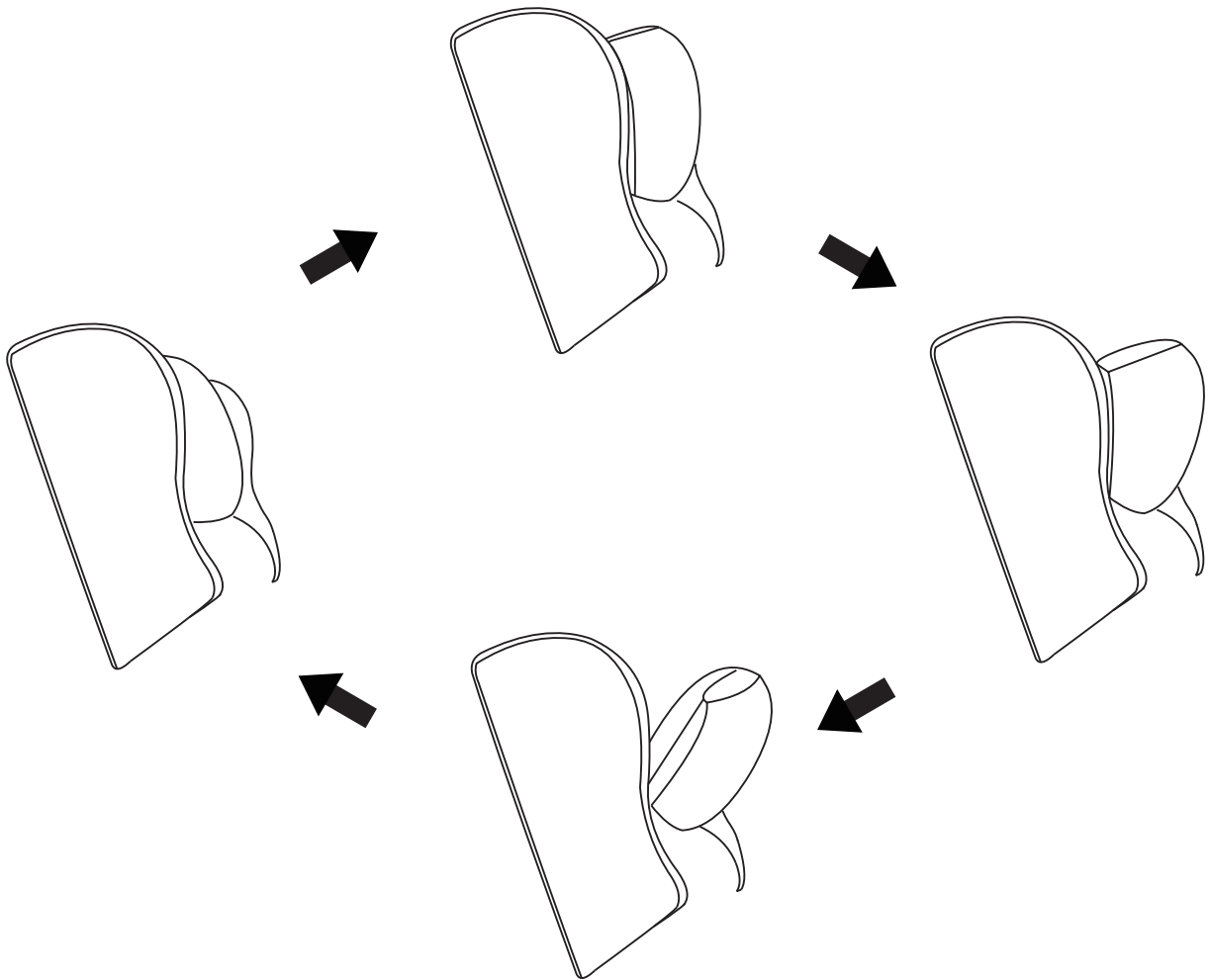


Press and hold the button on the right of the controller to control the opening of the footrest and backrest.



Press and hold the buttons on the left side of the controller to close the footrest and backrest.

4、 OPERATING INSTRUCTIONS



The headrest can be manually adjusted to different angles, making it easier and more comfortable to use.

5、 TROUBLESHOOTING

1.What should I do if my shipment is damaged or products received are defective?

We're sorry to hear that! Please contact us on the platform and provide a detailed description of the damage, as well as photos (or videos, where appropriate) showing the damage. We will do our best to resolve the issue as soon as possible.

2.Can replacement parts be ordered?

Just write to our customer service team and let us know your order ID, and we will be happy to provide further assistance.

3.Who do I contact for repair queries?

Easy! Just email us and provide a detailed description of the fault as well as photos.

4. How do I claim my warranty?

You can write to us to specify your inquiry, and we will be able to assist you further.

6.What should I do if I want to return the product?

We offer 30-day return policy upon product received. To initiate a return request, please message us and with your reason of returning so we can facilitate the request and assist you further. For more details on the return policy, please refer to Return section.

6、 PRODUCT CARE

- Dust regularly with a soft,dry cloth to prevent soil build-up.Keep away from heat to avoid glazing,melting or scorching.Use a professional cleaning service to clean the fabric.

7、 WARNING

- This product is not intended for institutional or commercial use.
- Avoid placing this item in direct sunlight to prevent fading.
- Check this product for damaged hardware, loose joints, missing parts or sharp edges before and after assembly and frequently during use.

CUSTOMER SERVICE

Any Problem Please Contact Us

- If you have any questions, please provide the order number and related pictures to show the problem through email.We will reply to you within 24 hours, and solve the problem as soon as possible.