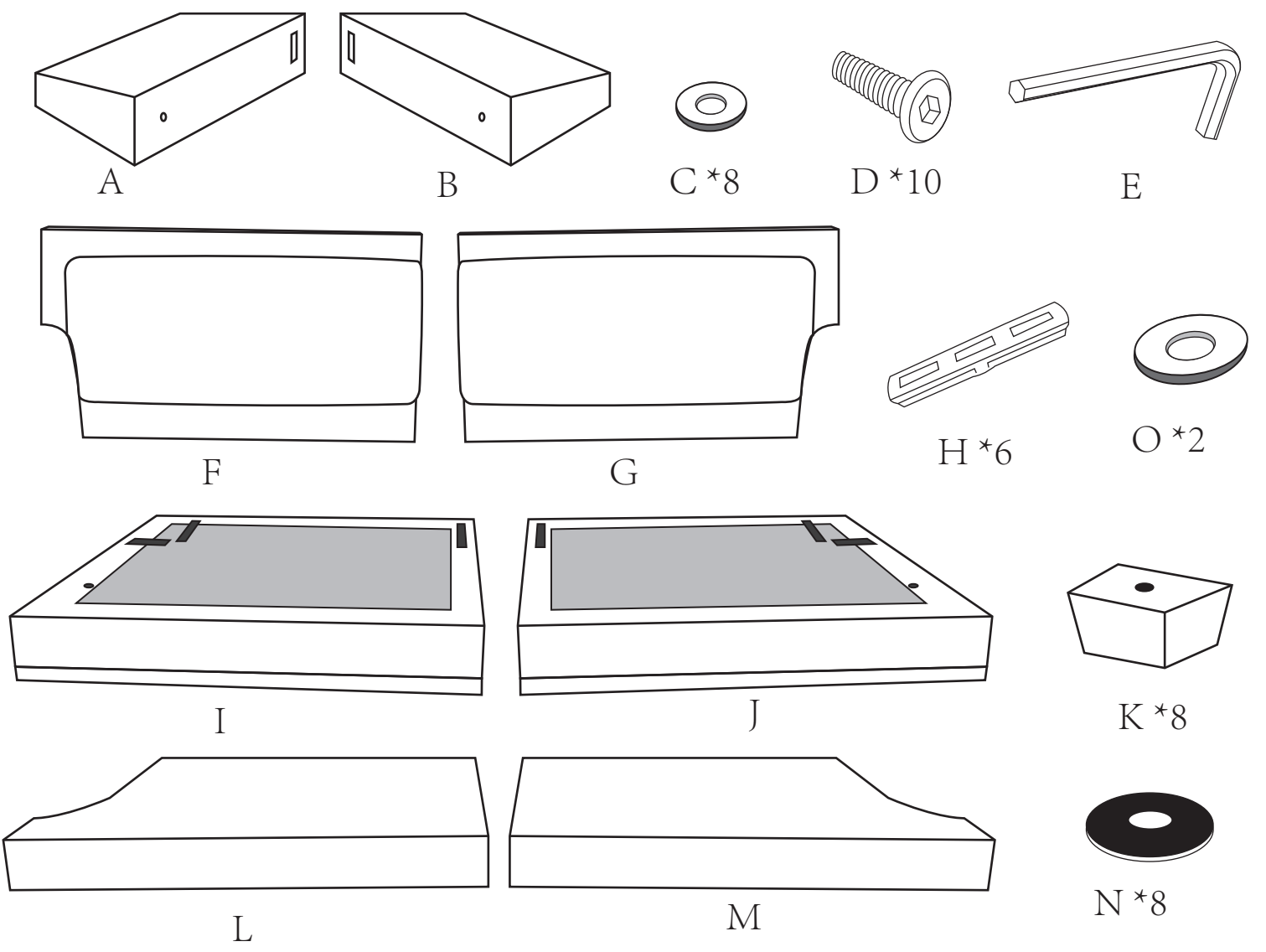


Parts List

WF305754 BOX 2-1:I+J+L+M
WF305755 BOX 2-2:A+B+C*8+D*10+E+F+G+H*6+K*8+N*8+O*2



Installation method

