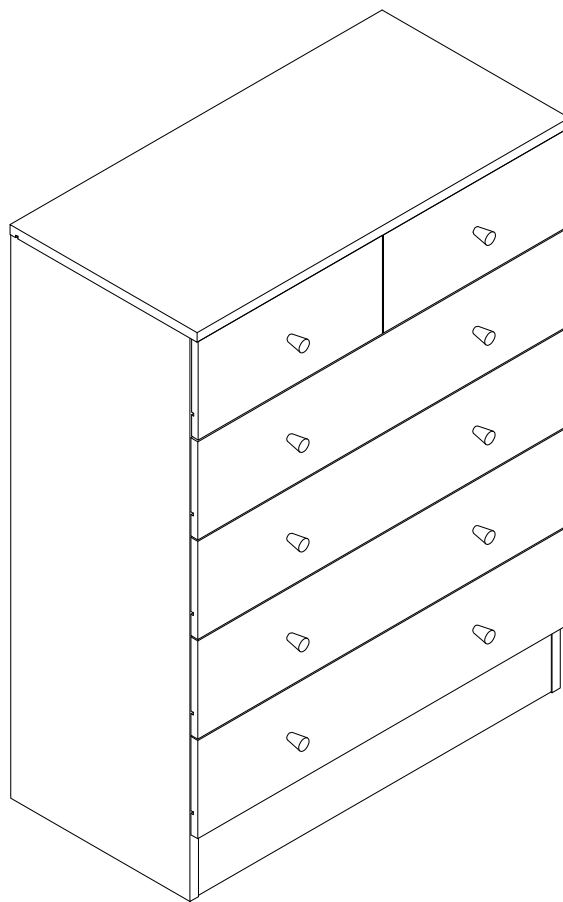
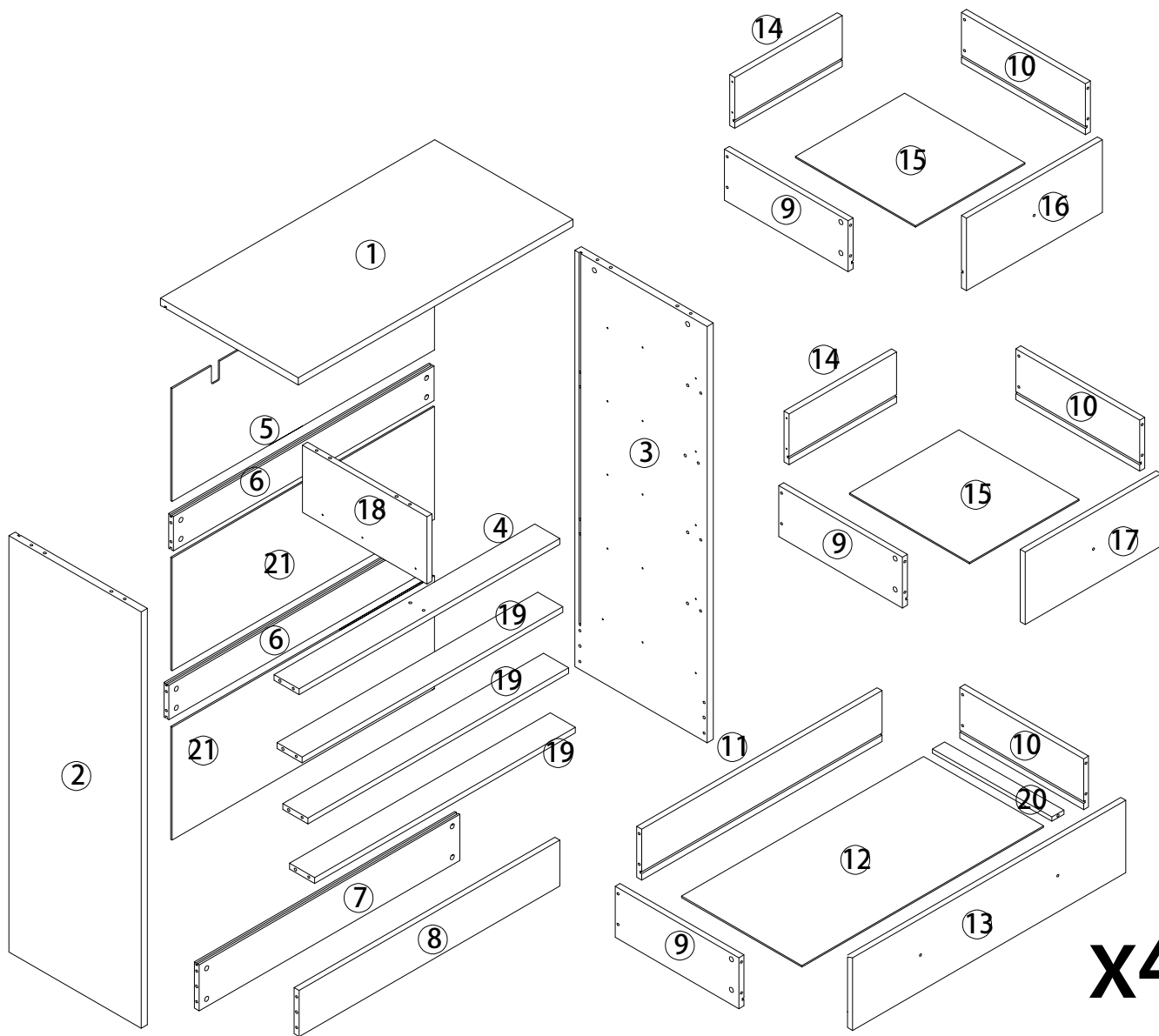
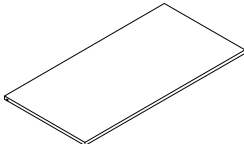

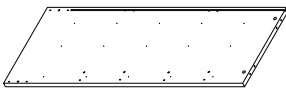
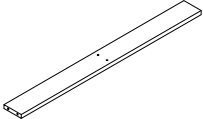

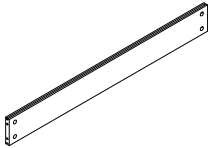
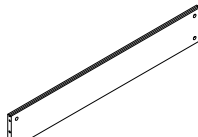
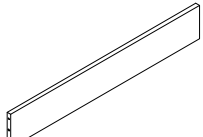
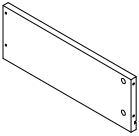
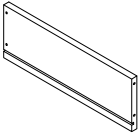
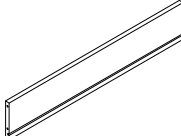
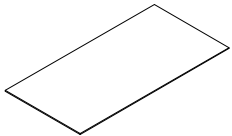
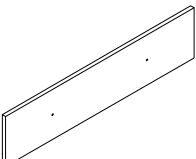
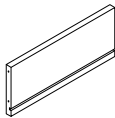
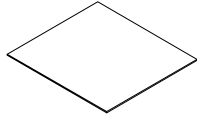
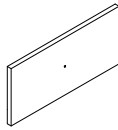
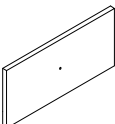
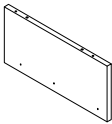
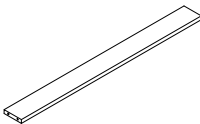

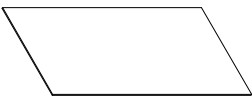


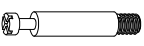








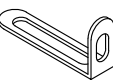
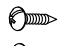
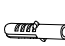

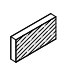
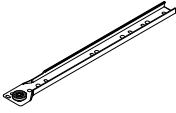
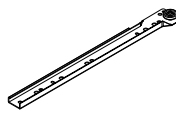
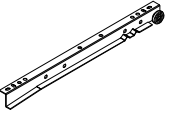
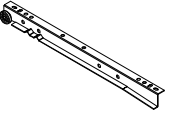

Assembly Instruction



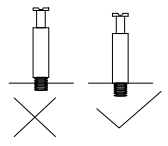
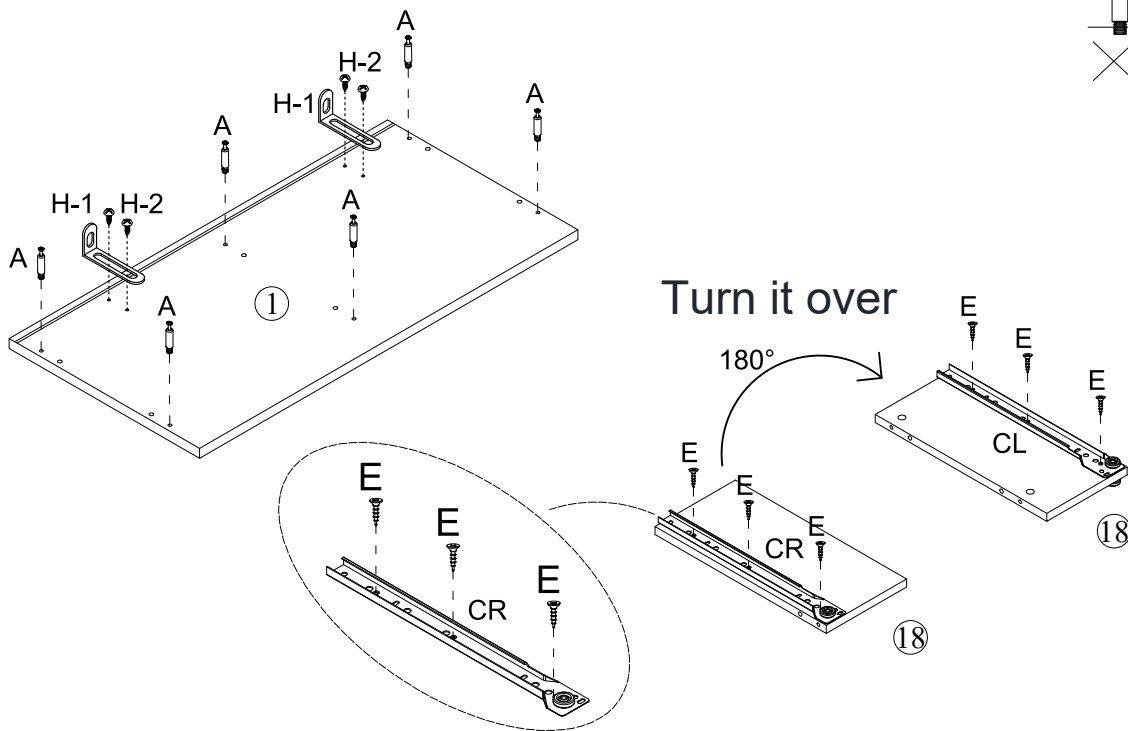


x4

1  660x400x12 x1	2  1098x387x12 x1	3  1098x387x12 x1	4  634x60x12 x1
5  641x288 x3	6  634x80x12 x2	7  634x100x12 x1	8  634x100x12 x1
9  350x148x12 x6	10  350x148x12 x6	11  583x148x12 x4	12  591x347mm x4
13  657x197x12 x4	14  261x148x12 x2	15  347x270mm x2	16  327x197x12 x1
17  327x197x12 x1	18  370x185x12 x1	19  634x60x12 x3	20  338x50x12 x4
21  641x288mm x2			

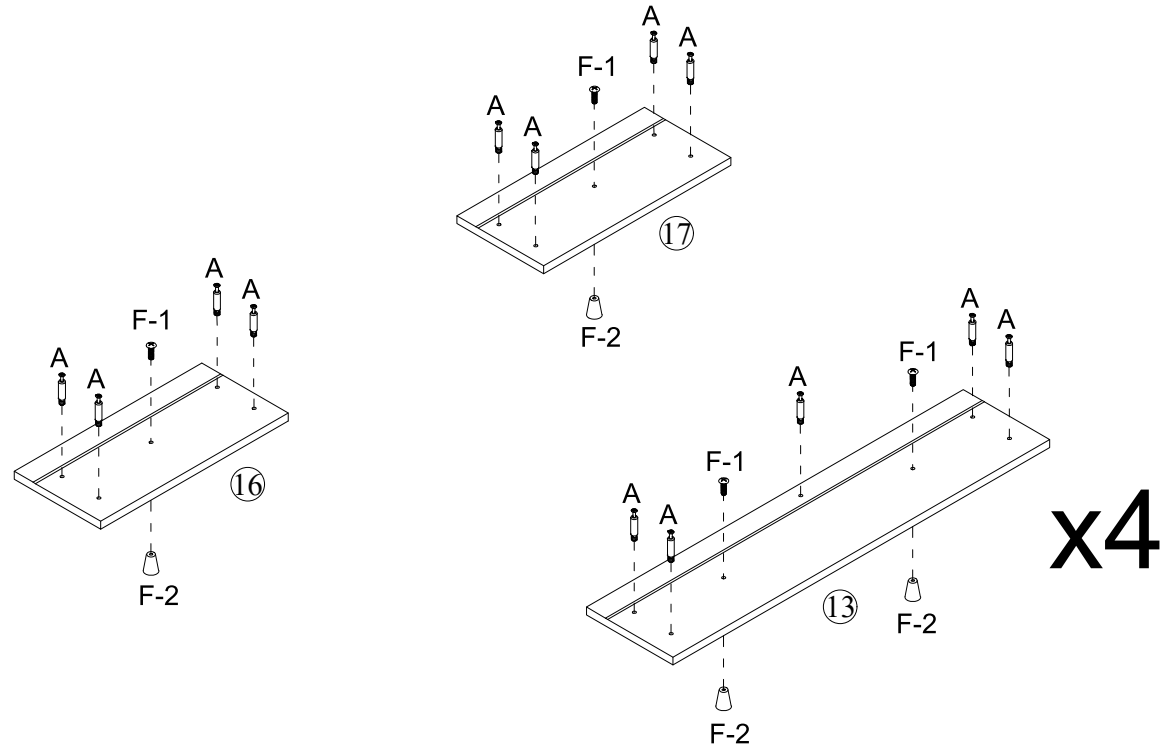
A  x 58+5 Φ6X35mm	B  x 58+5 Φ15X10mm	C  x 19+1 Φ6X30mm	D  x 29+2 Φ4X35mm	E  x 72+7 Φ3X12mm
F  F-1  F-2 x 10 Φ4X18mm	G  G-1  G-2 x 12+1 Φ3X16mm	H  H-1  H-2 x 2 Φ4X12mm	I  I-1  I-2 x 2 Φ4X45mm	J  x 4 25X12mm
CL  x 6 L350	CR  x 6 L350	DL  x 6 L350	DR  x 6 L350	 x 5 Spare

1



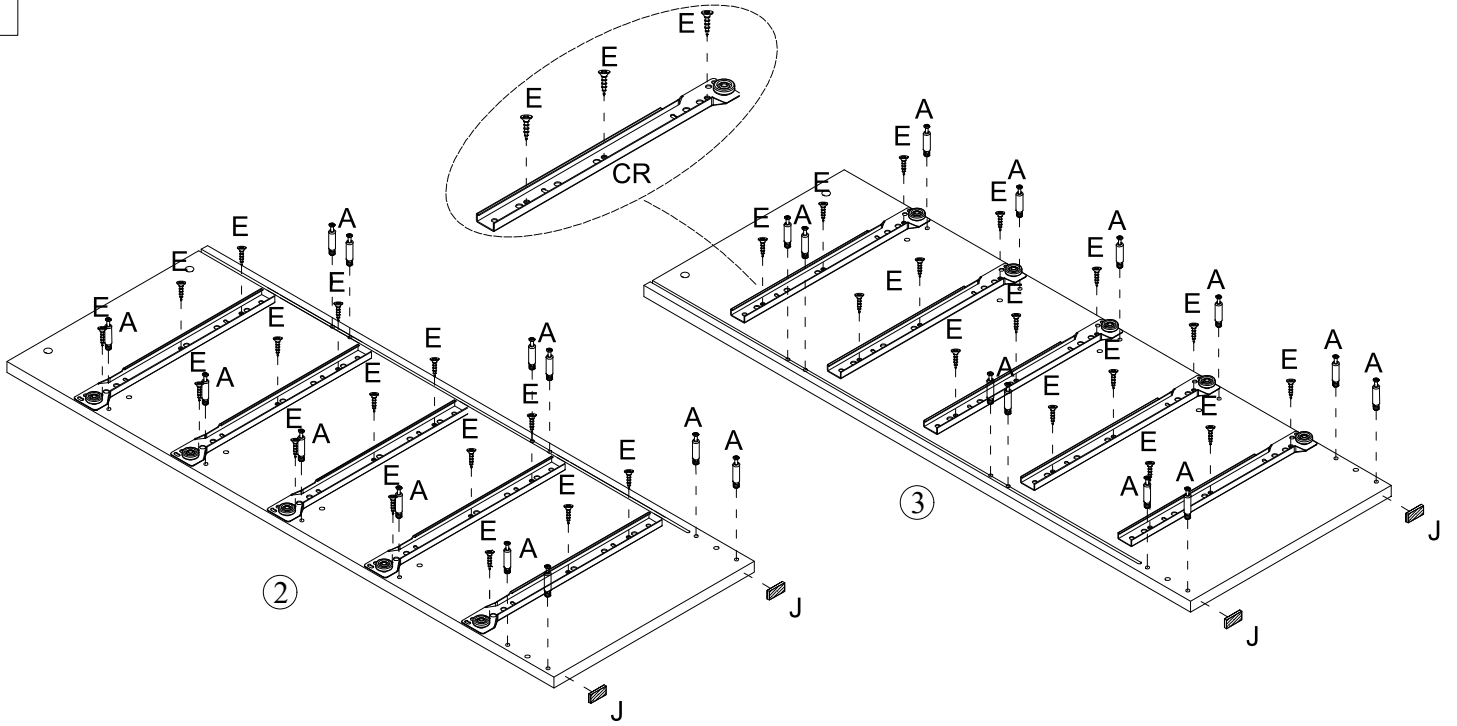
<p>H</p> <p>H-1 H-2</p> <p>x 2</p>	<p>A</p> <p>x 6</p>	<p>E</p> <p>x 6</p>	<p>CL</p> <p>x 1</p>	<p>CR</p> <p>x 1</p>
------------------------------------	---------------------	---------------------	----------------------	----------------------

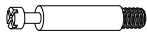
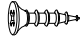

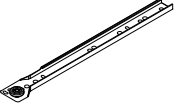
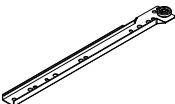
2



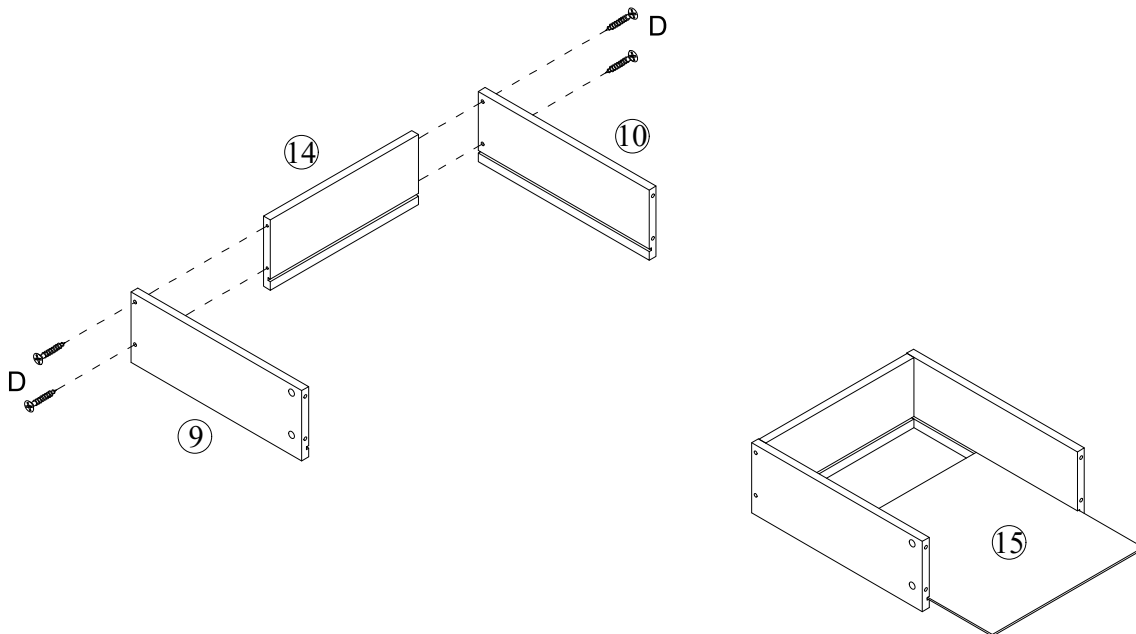
<p>A</p> <p>x 28</p>	<p>F</p> <p>F-1 F-2</p> <p>x 10</p>
----------------------	-------------------------------------

3




<p>A</p>  <p>x 24</p>	<p>E</p>  <p>x 30</p>	<p>J</p>  <p>x 4</p>	<p>CL</p>  <p>x 5</p>	<p>CR</p>  <p>x 5</p>
--	--	---	---	---

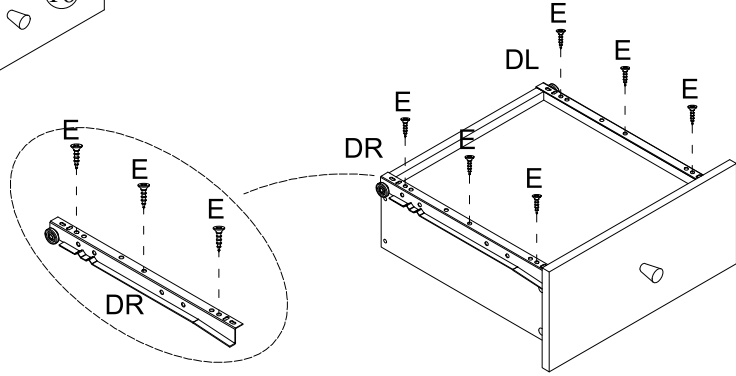
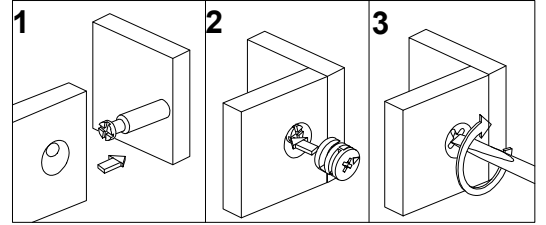
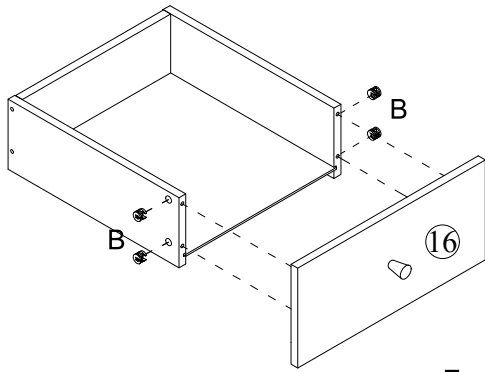
4


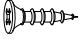
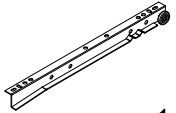
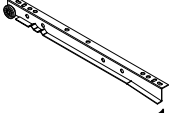


x2

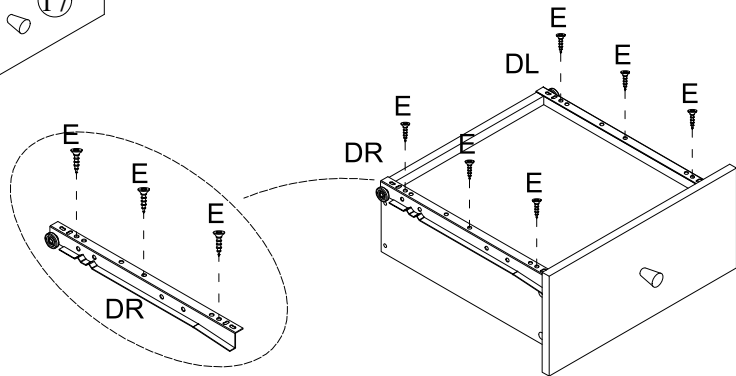
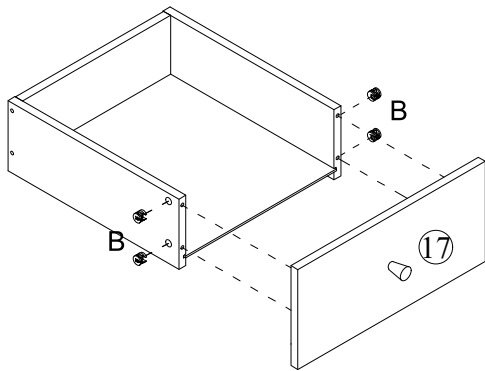
<p>D</p>  <p>x 8</p>


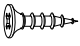
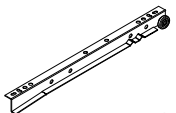
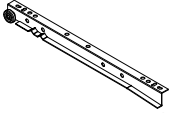
5



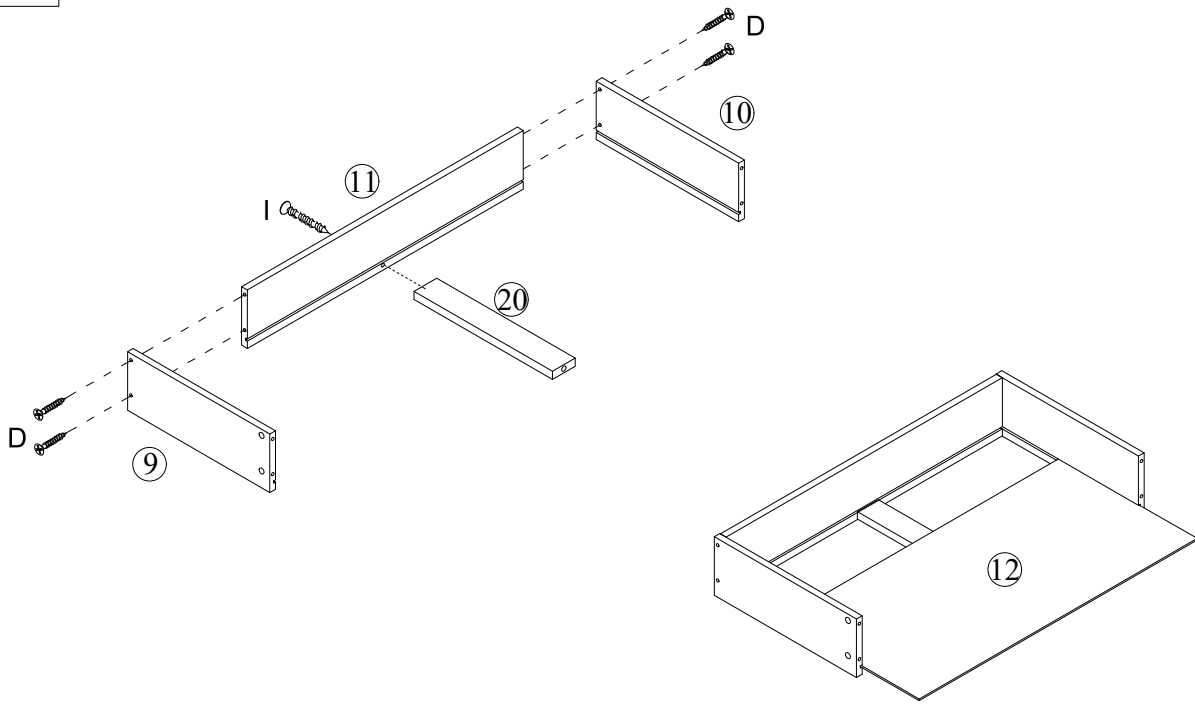
<p>B</p>  <p>x 4</p>	<p>E</p>  <p>x 6</p>	<p>DL</p>  <p>x 1</p>	<p>DR</p>  <p>x 1</p>
--	---	---	---

6

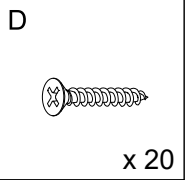


<p>B</p>  <p>x 4</p>	<p>E</p>  <p>x 6</p>	<p>DL</p>  <p>x 1</p>	<p>DR</p>  <p>x 1</p>
---	---	--	--

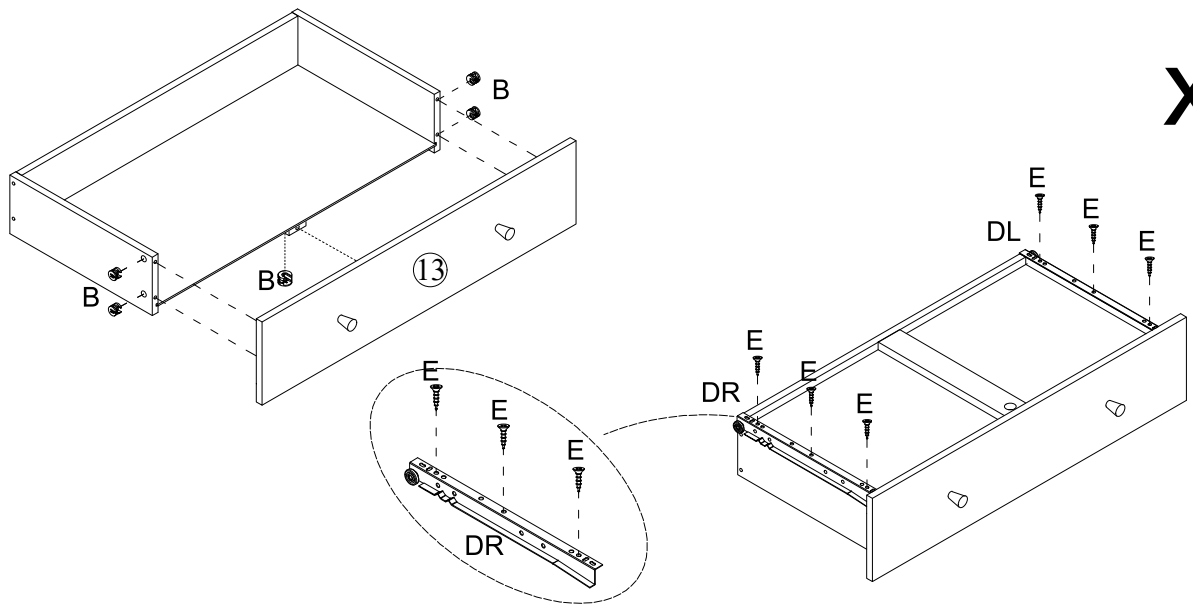
7





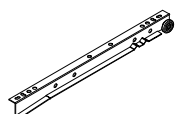
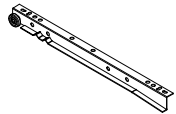
x4



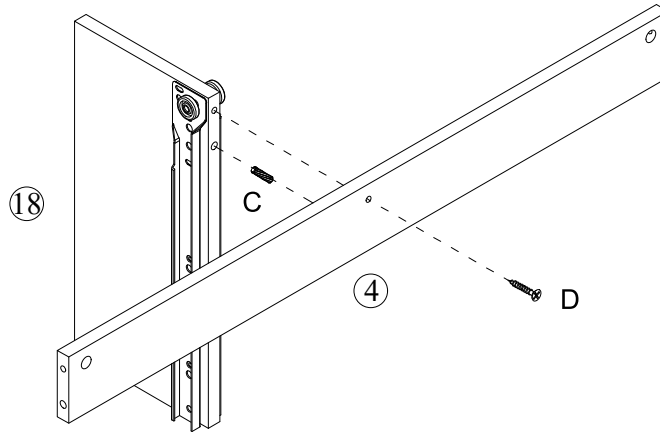
8

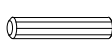



x4

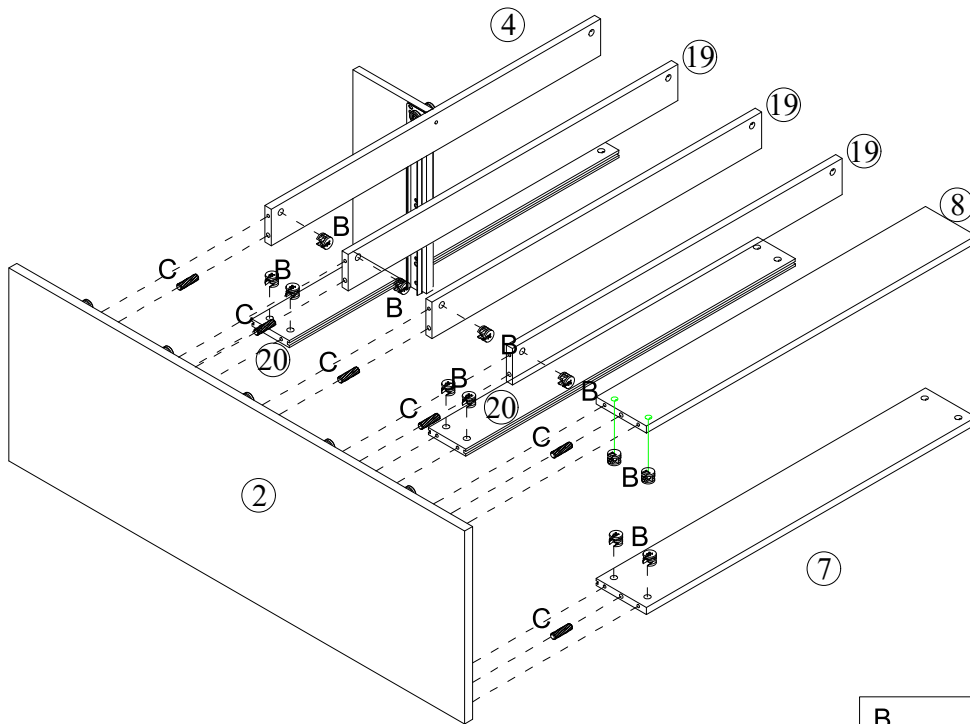
<p>B</p>  <p>x 20</p>	<p>E</p>  <p>x 24</p>	<p>DL</p>  <p>x 4</p>	<p>DR</p>  <p>x 4</p>
--	--	--	--



9



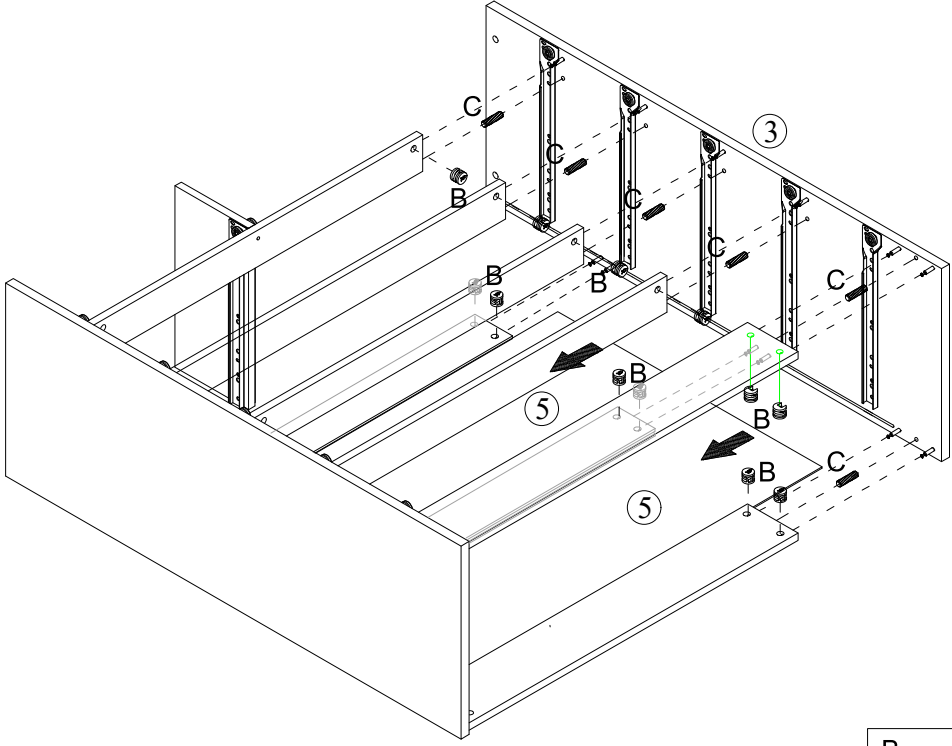
<p>C</p>  <p>x 1</p>	<p>D</p>  <p>x 1</p>
--	--


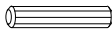
10



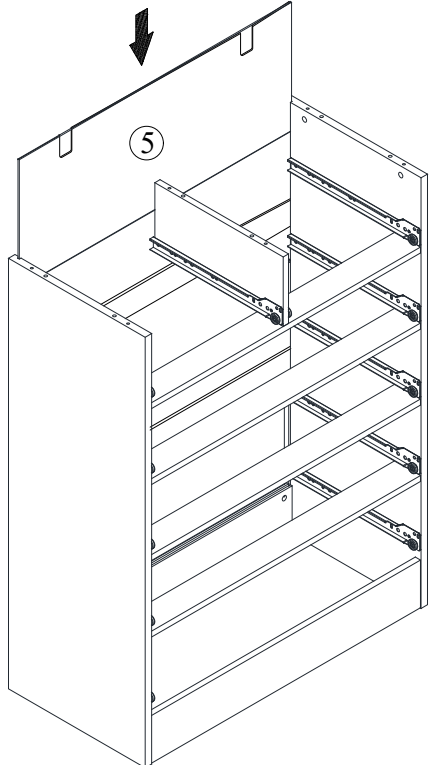
<p>B</p>  <p>x 10</p>	<p>C</p>  <p>x 6</p>
--	---

11

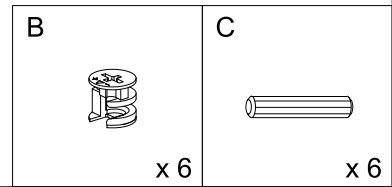
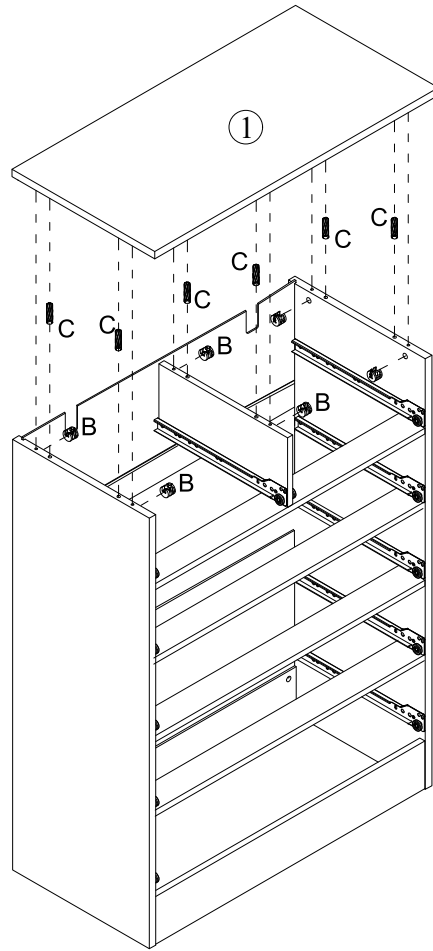


B  x 10	C  x 6
---	---

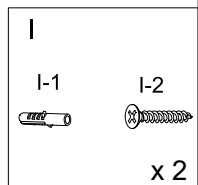
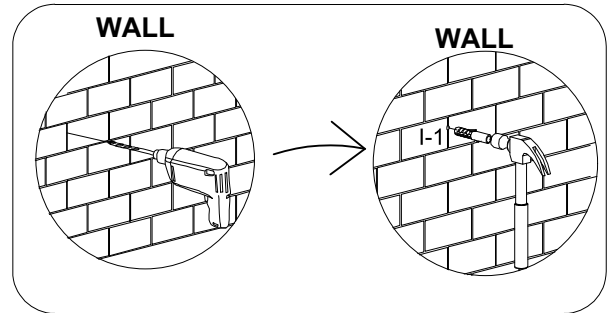
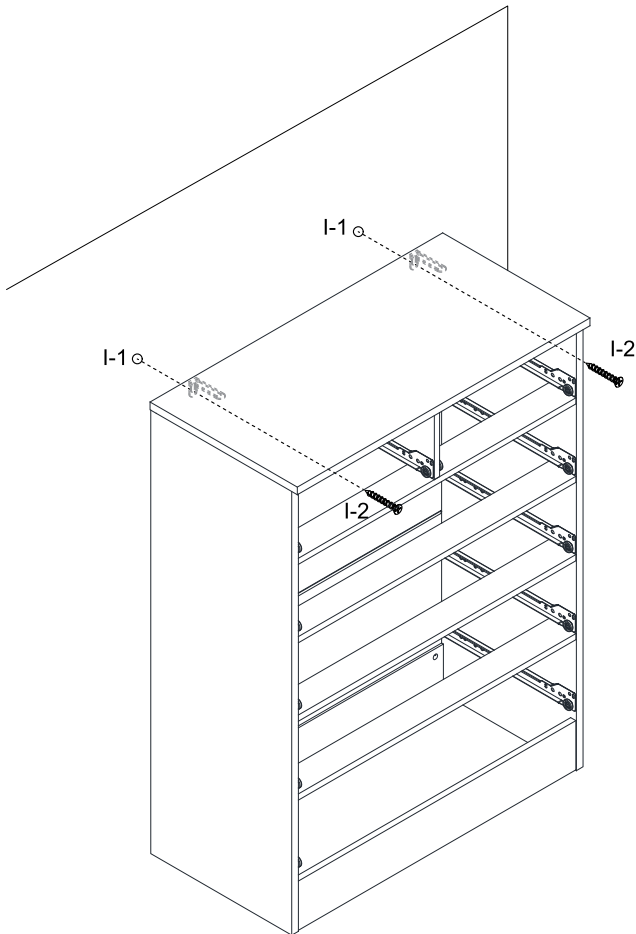
12



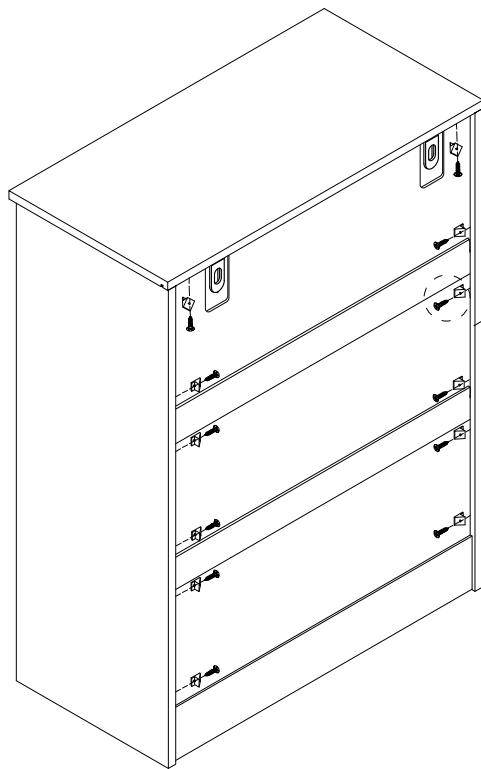
13



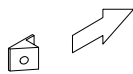
14



15

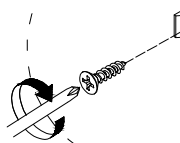


G-1



x 12

G-2



x 12

G

G-1



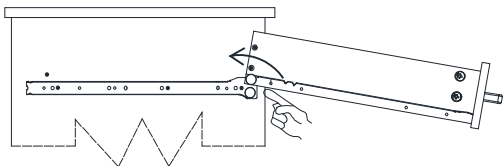
G-2



x 12

16

1



2

