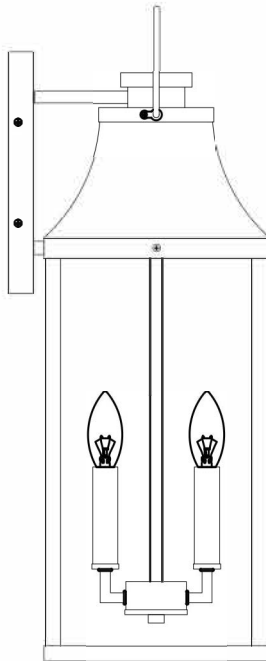


Instruction Manual

(25Inch)

(To reduce the risk of fire, electric shock, or injury to persons):

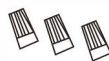
1. We suggest installation by a licensed electrician.
2. Before you start, A). Go to the main fuse, or circuit breaker, box in your home. Place the main power switch in the "OFF" position. B). Place the wall switch in the "OFF" position.
3. Make sure that the ceiling or wall can bear the weight of the lamp before fixture.
4. Make sure the voltage you are using is 120V. The maximum wattage is 40W per bulb.
5. When replacing bulb, you should turn off or unplug the lamp and you must wait until it is cool as bulbs get hot quickly.
6. The safety instructions appearing in this manual are not meant to cover all possible conditions that may occur.



Accessories List:



Screw



Wire connector

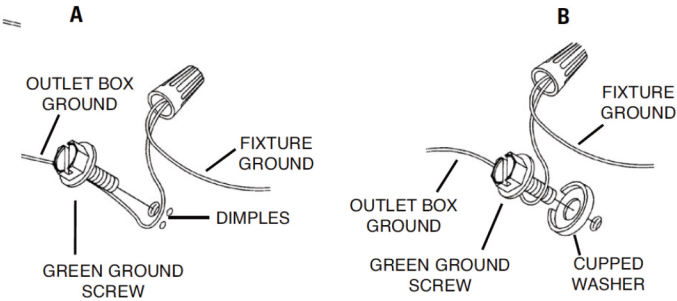


Instruction

Installation Procedures:

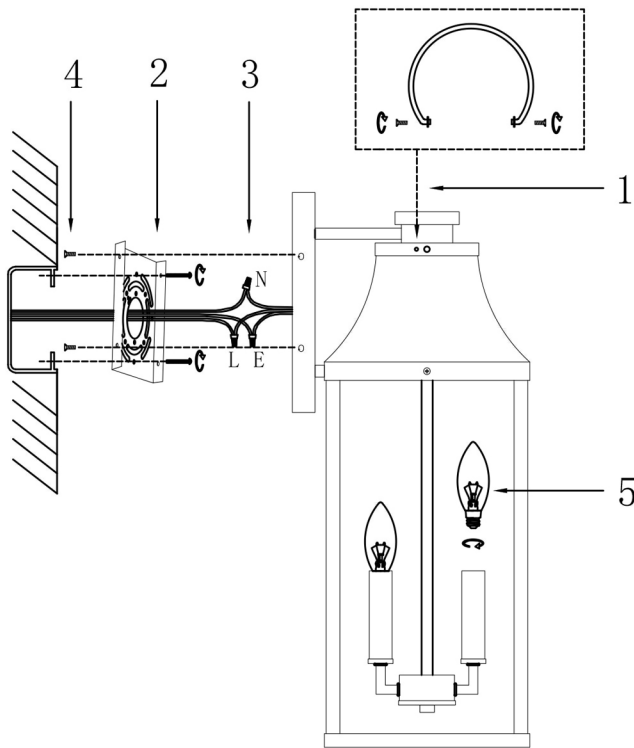
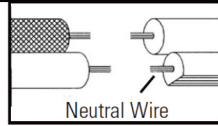
First:

- A) Open the package and take out all the parts or accessories, then place them on a clean flat place.
 B) Please turn off the power.



Connect Black or Red Supply Wire to:	Connect White Supply Wire to:
Black	White
*Parallel cord (round & smooth)	*Parallel cord (square & ridged)
Clear, Brown, Gold or Black without tracer	Clear, Brown, Gold or Black with tracer
Insulated wire (other than green) with copper conductor	Insulated wire (other than green) with silver conductor

*Note: When parallel wires (SPT I & SPT II) are used. The neutral wire is square shaped or ridged and the other wire will be round in shape or smooth (see illus.)



1. The metal circle is installed on the top cover of the lamp and fixed with screws.
2. Install the mounting bracket and fix it to the junction box.
3. Connect the live wire (L), zero wire (N) and ground wire (E) to the junction box.
4. Secure the lamp to the mounting bracket and fix it with screws.
5. Install the E12 light bulb.

**If you have any questions after receiving the goods, please feel free to contact us.
 We will solve it for you ASAP.
 Thank you for your support!**