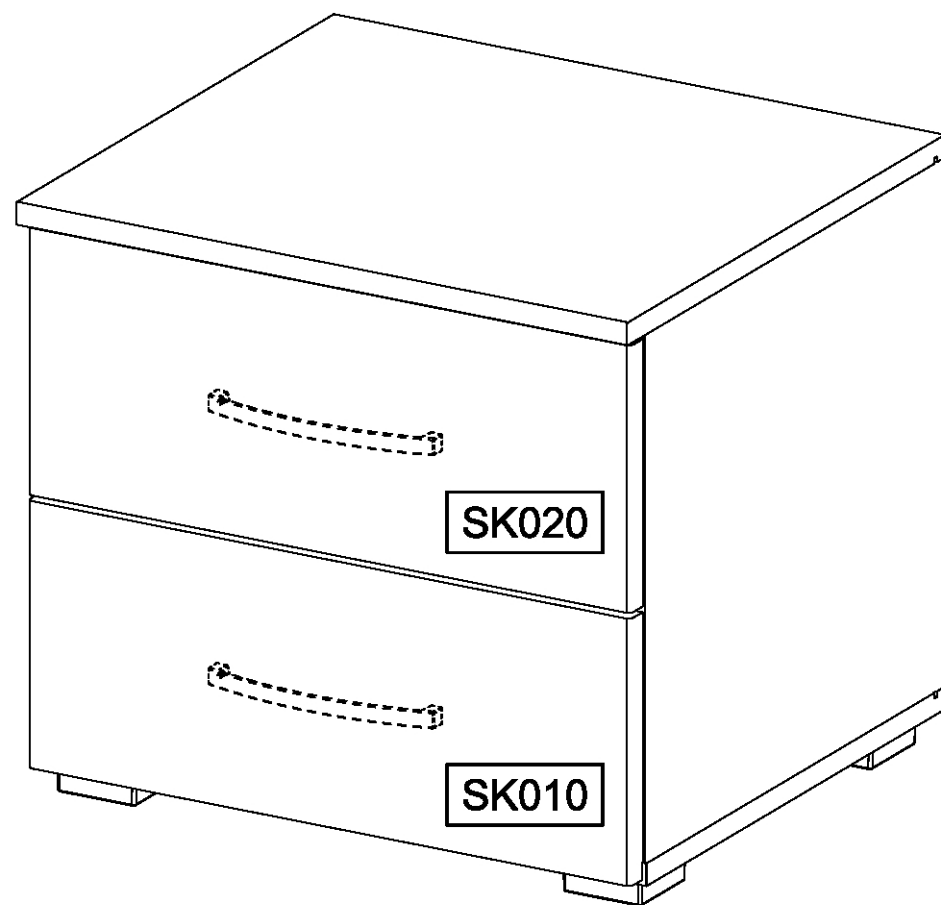
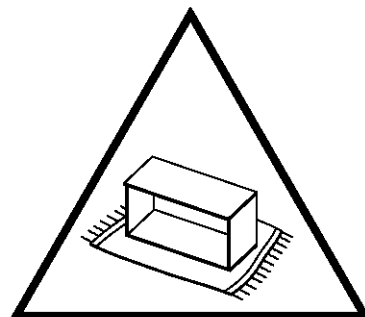
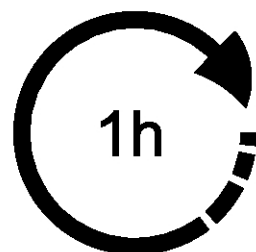
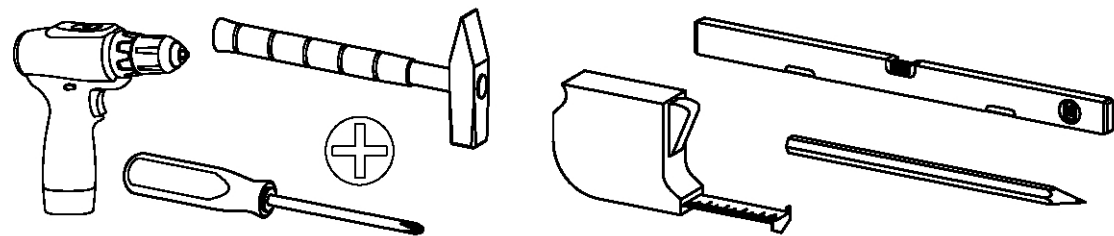


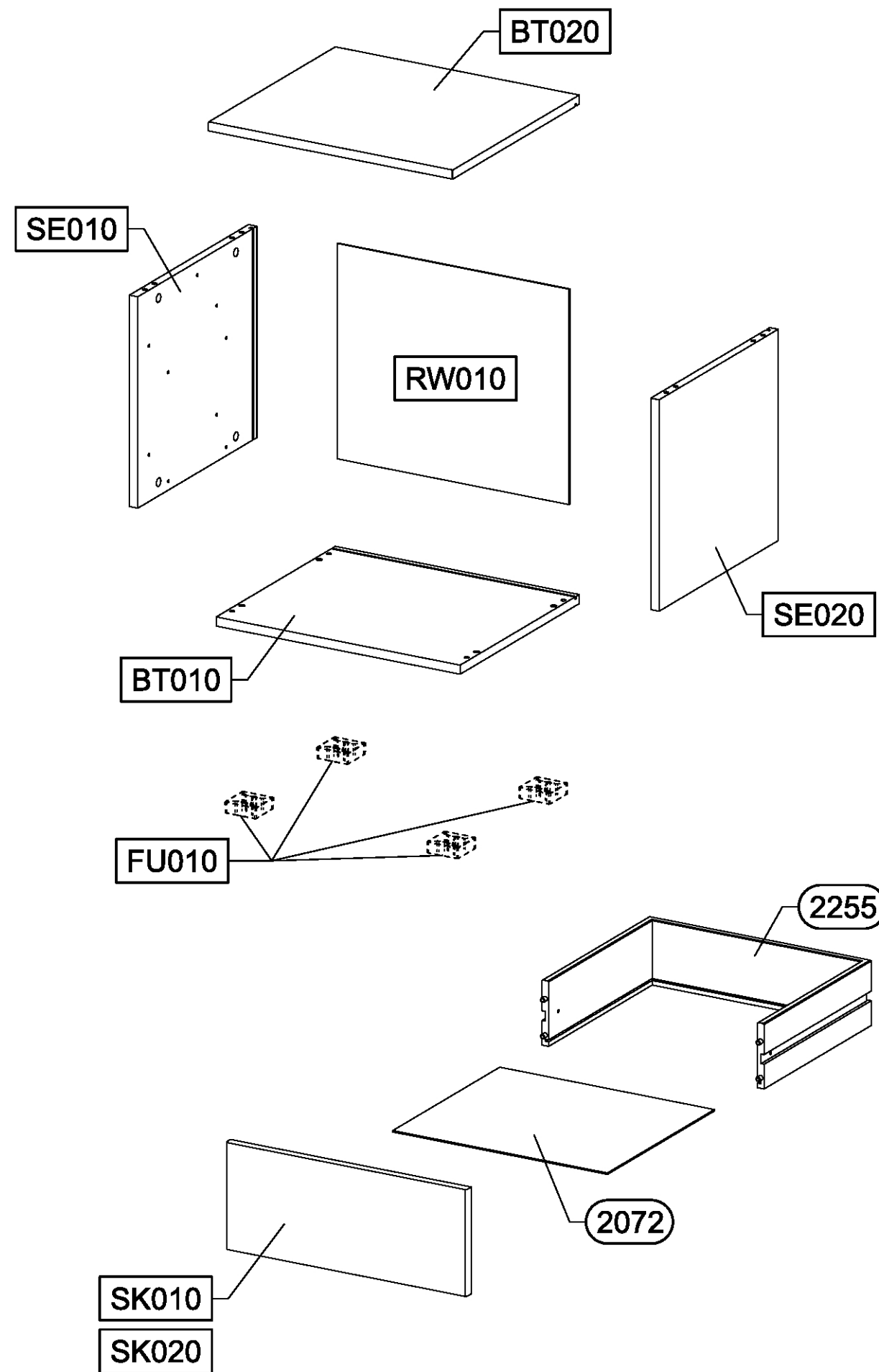
M2603_01

rauch



SK020

SK010



BT020

SE010

RW010

SE020

BT010

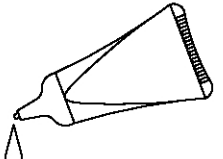
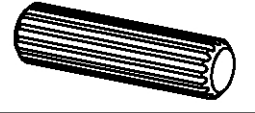



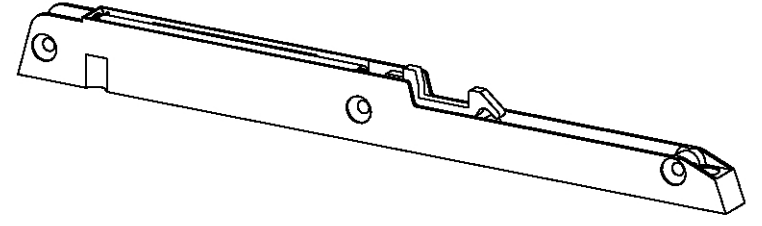



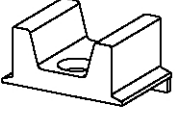
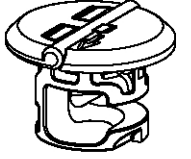
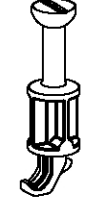
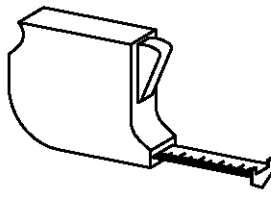
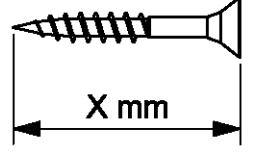
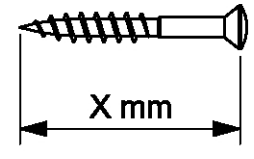
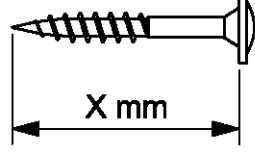
FU010

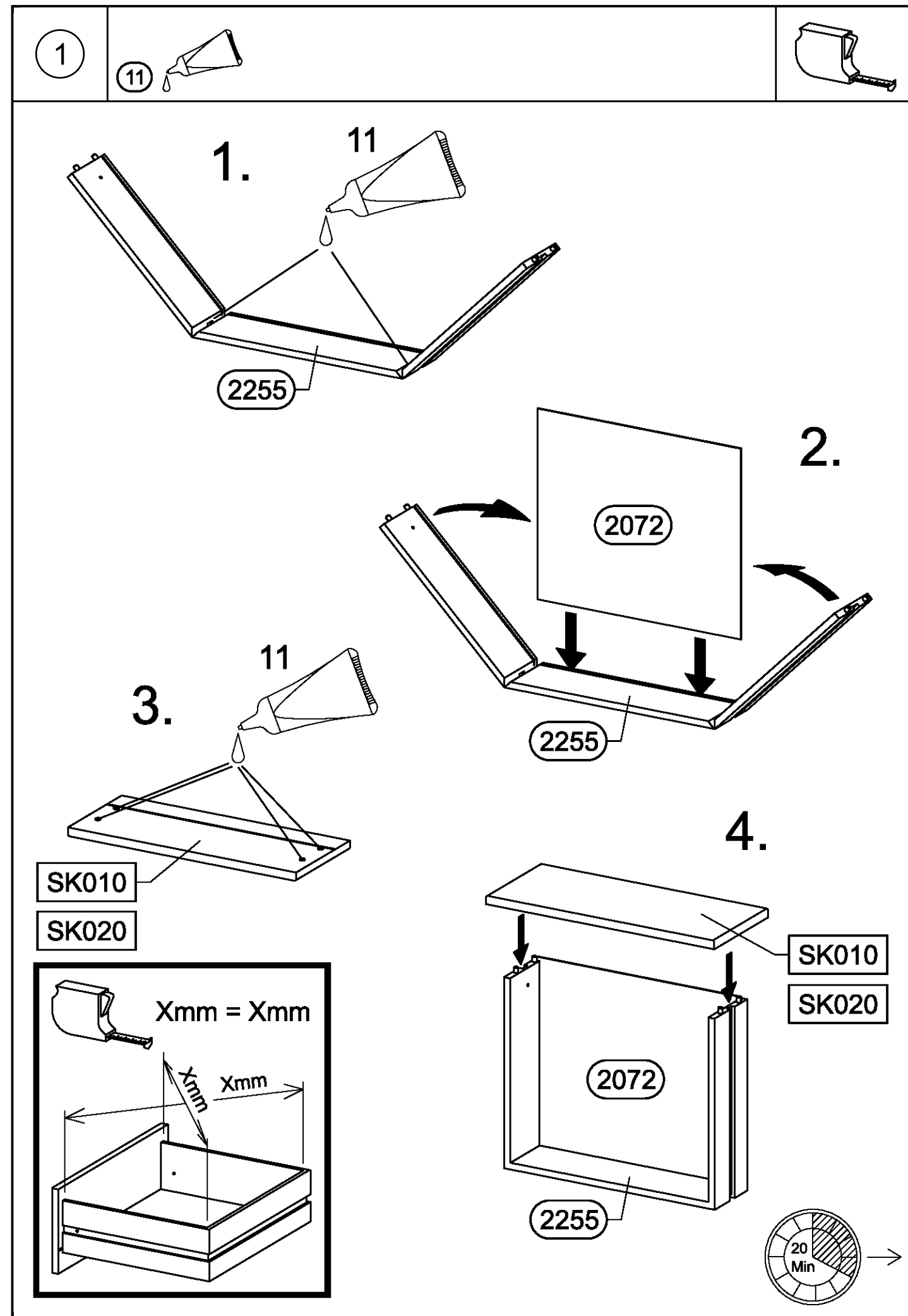
2255

2072

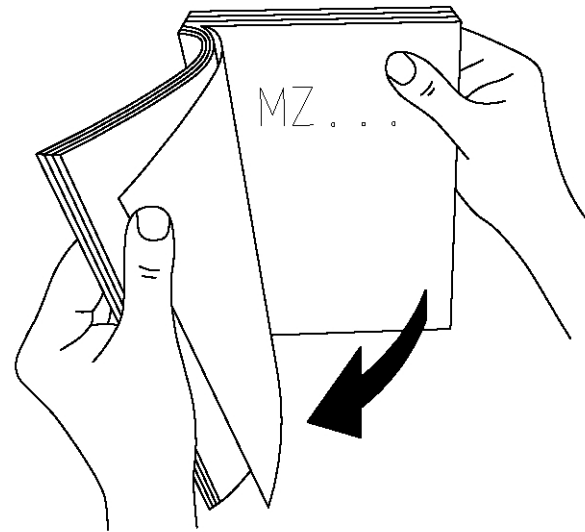
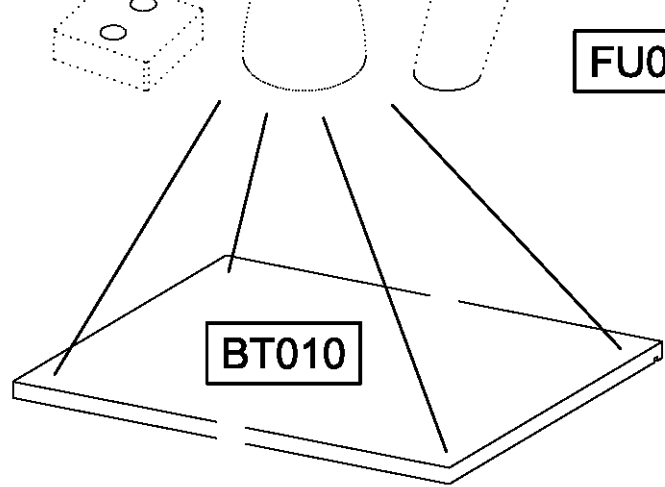
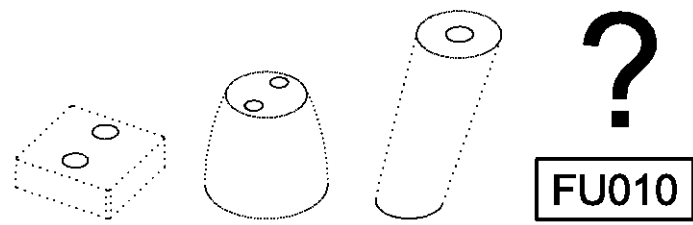
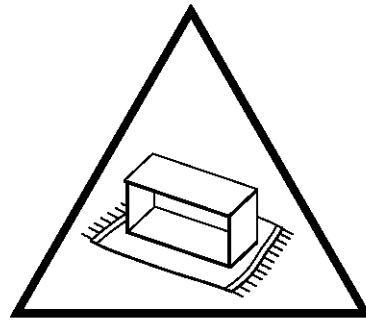
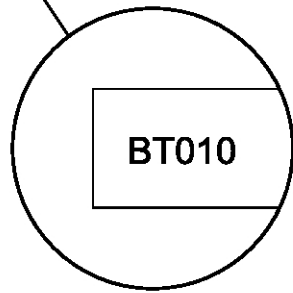
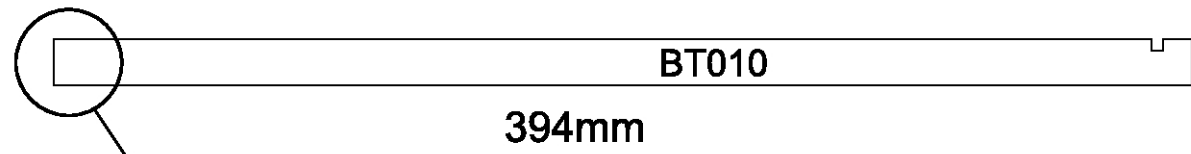
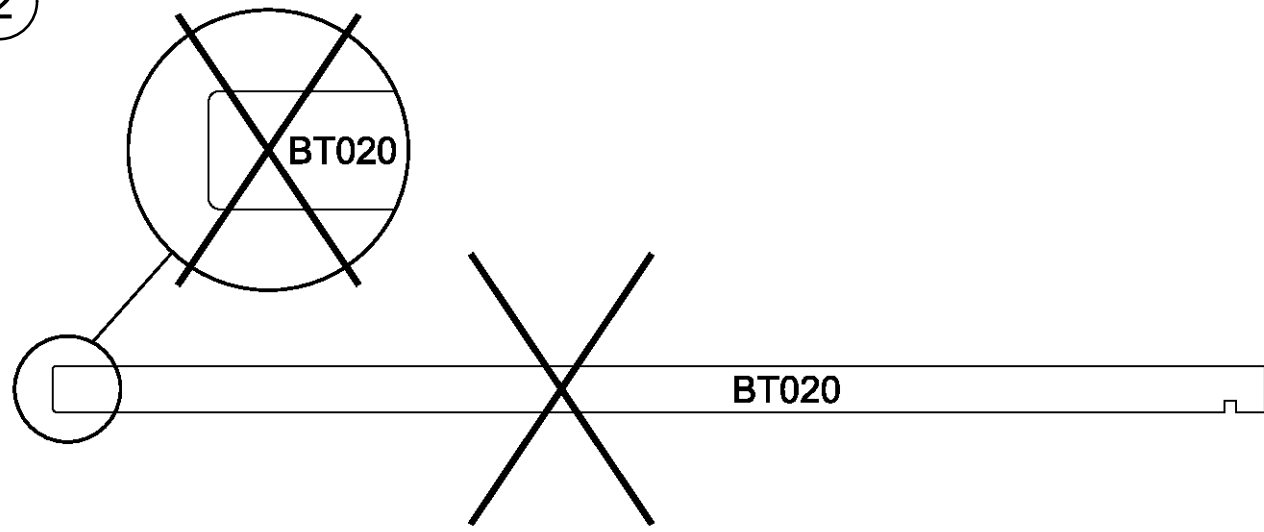
SK010

SK020

 (11)	8x  8x30 (18)	8x  6x10,5 (227)
4x (251)  328x17x9,5		
4x (568) M4x9 	4x (1000) 	
16x (1002) 3,5x20 	8x (1003) 6x12 	2x (1090) 
4x (1187) 	8x (1188) 	8x (1189) 
  X mm  X mm  X mm		

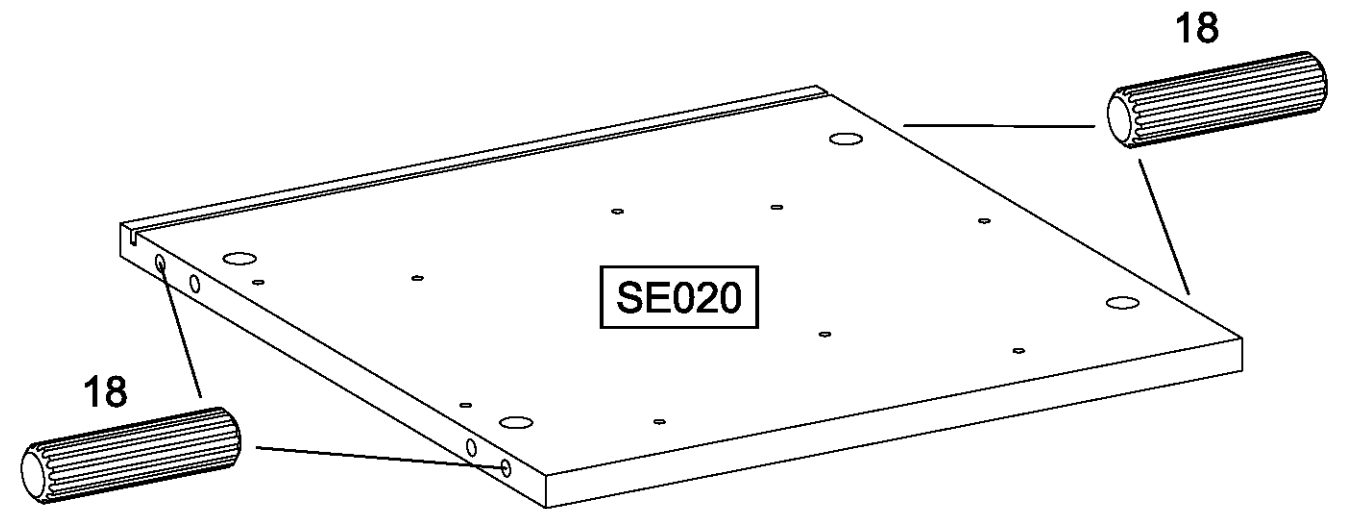
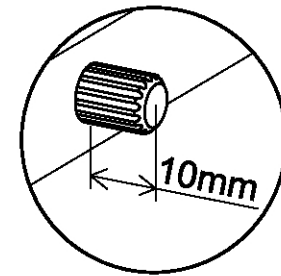
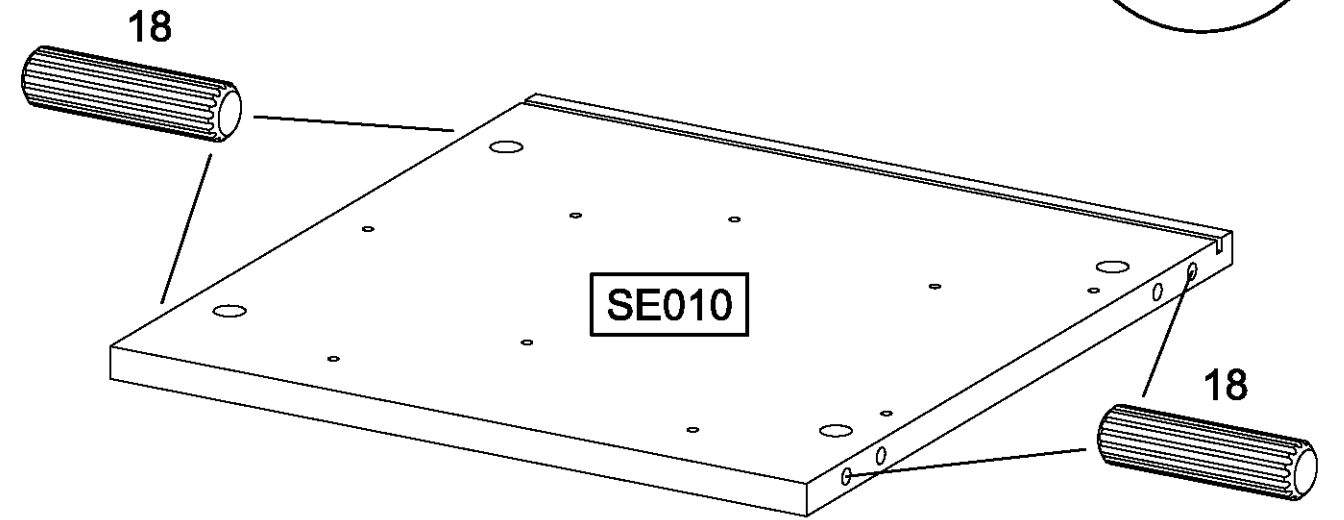
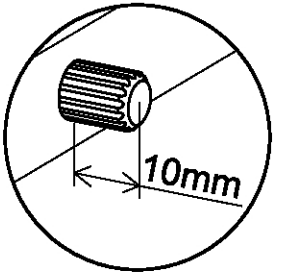
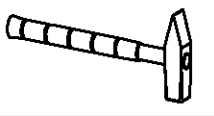


2



3

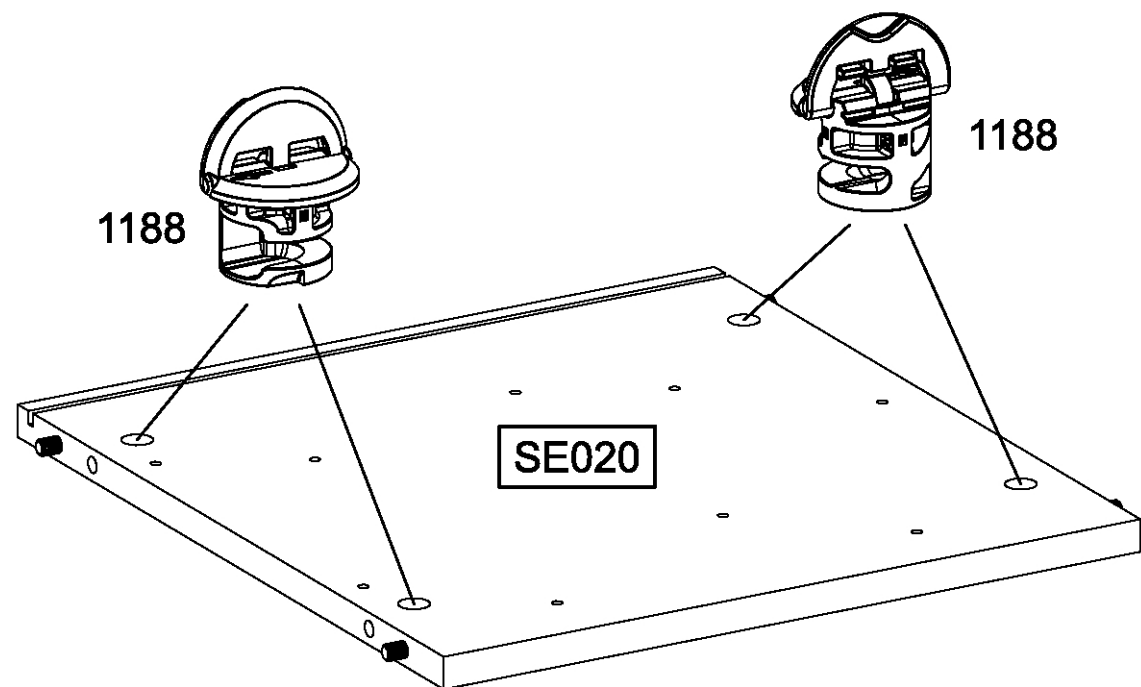
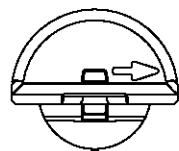
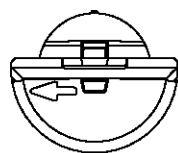
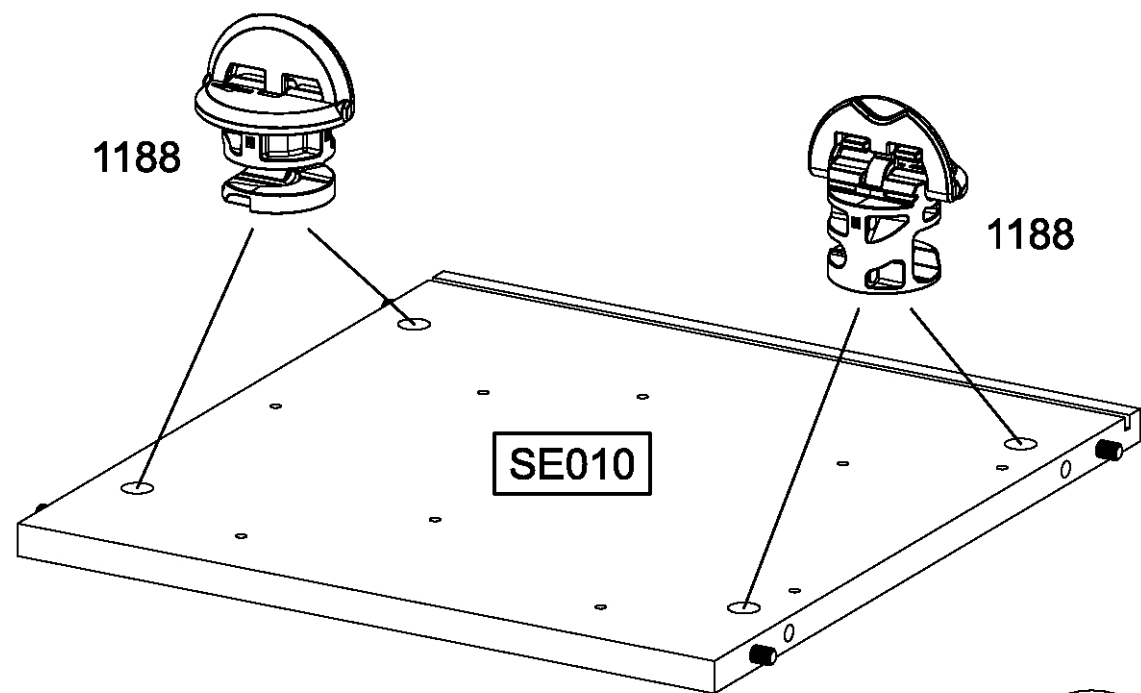
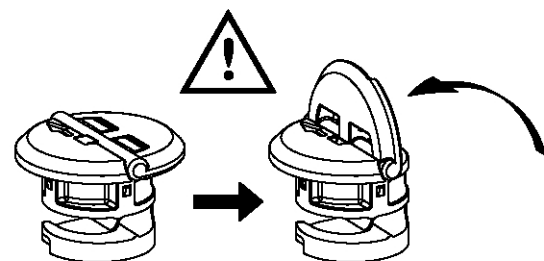
8x 18 8x30



4

8x

1188



5

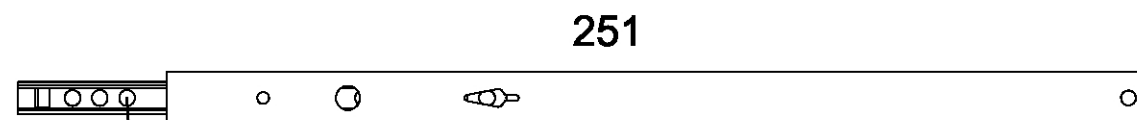
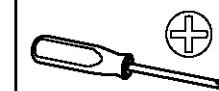
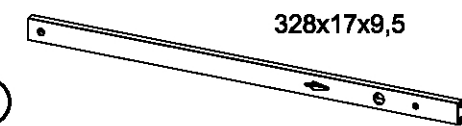
4x

227

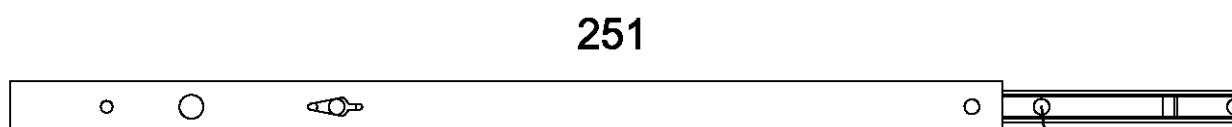
6x10,5

2x

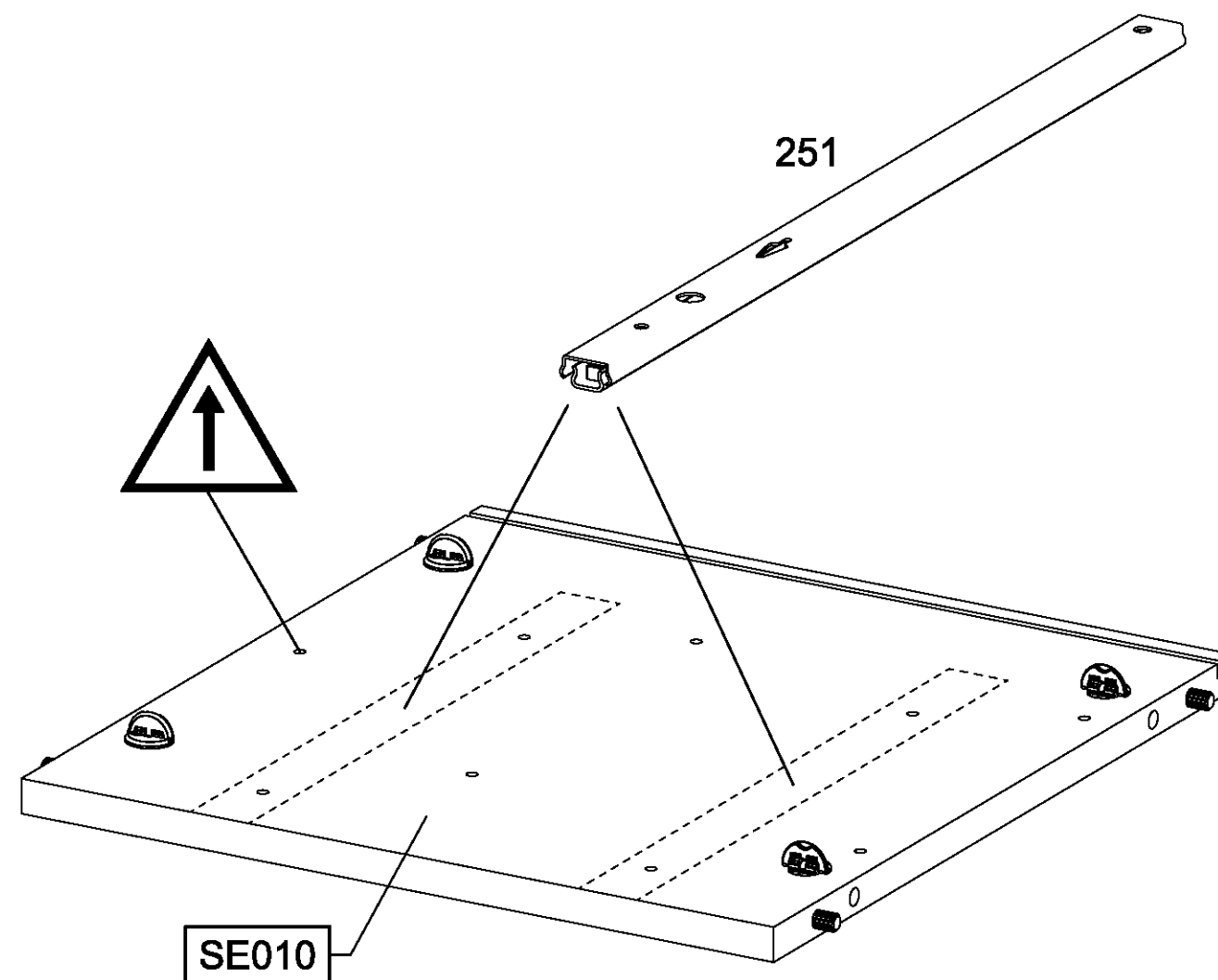
251



1. 227

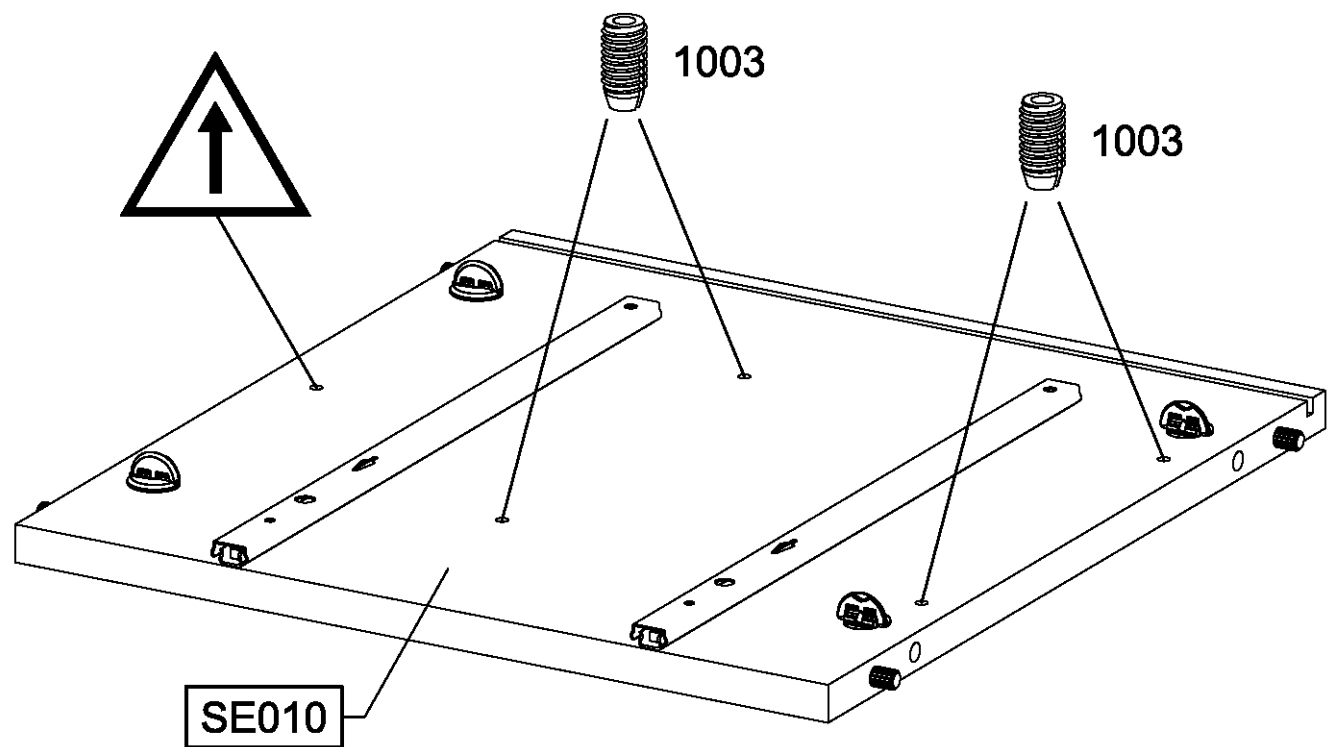
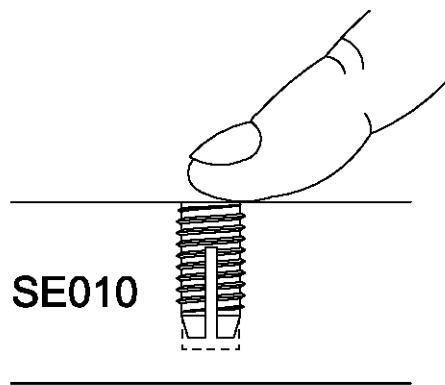
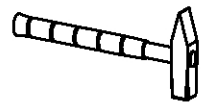


2. 227



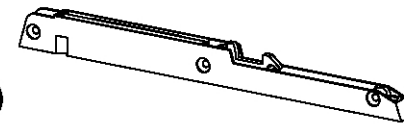
6

4x 1003 6x12

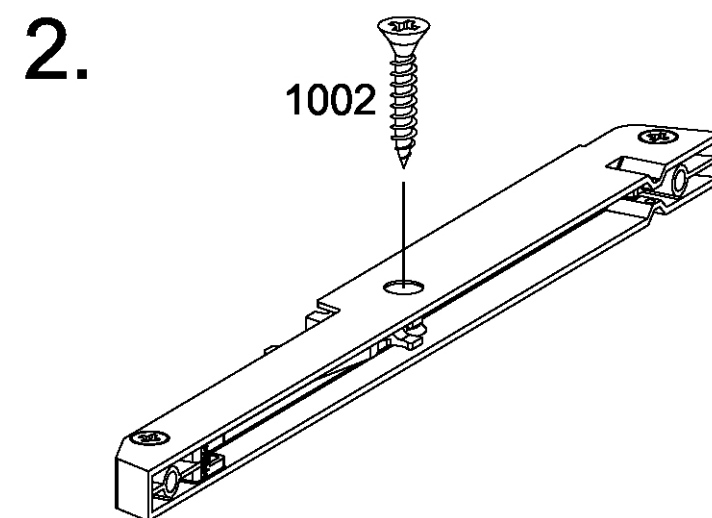
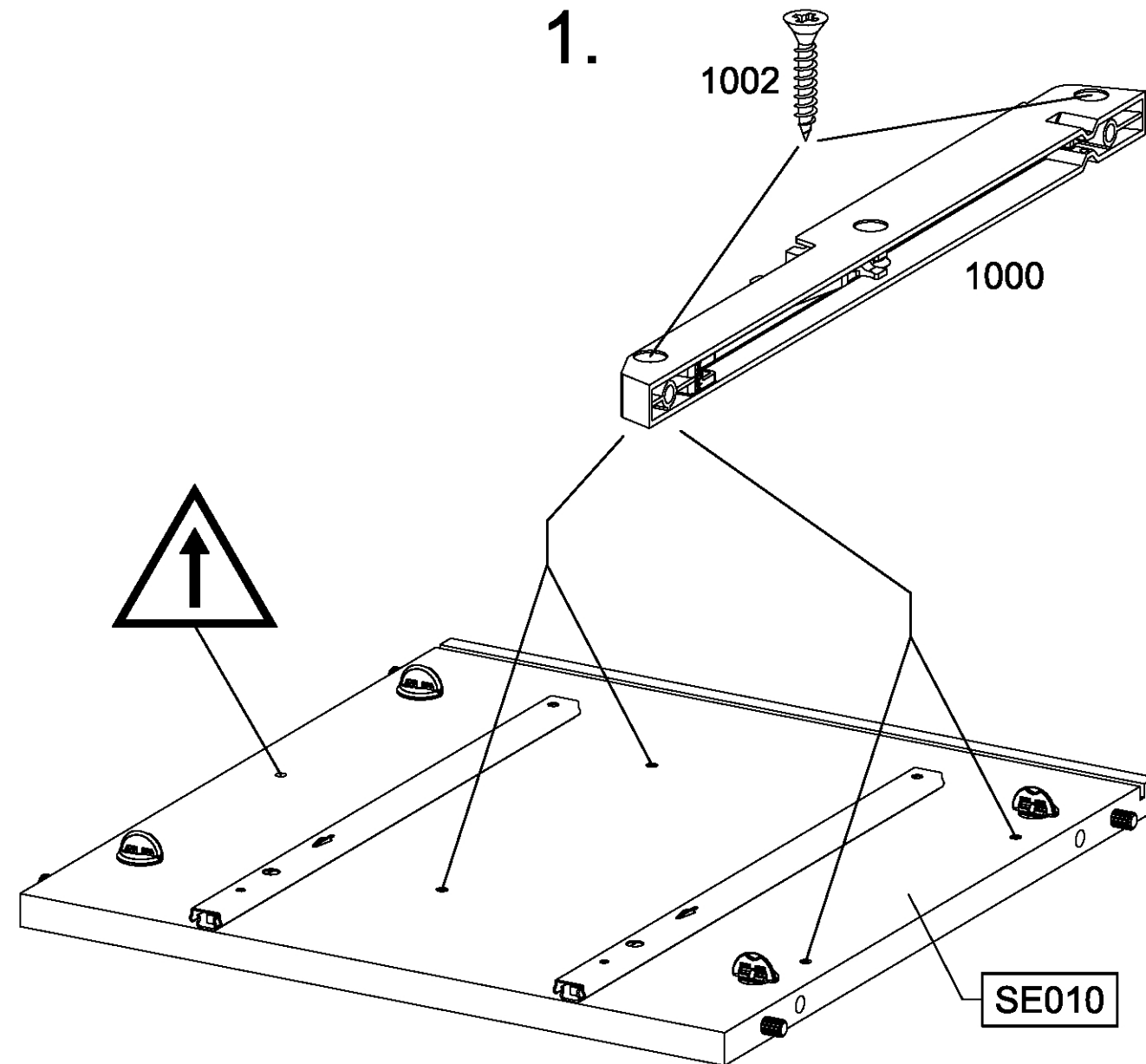
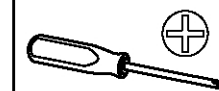



7

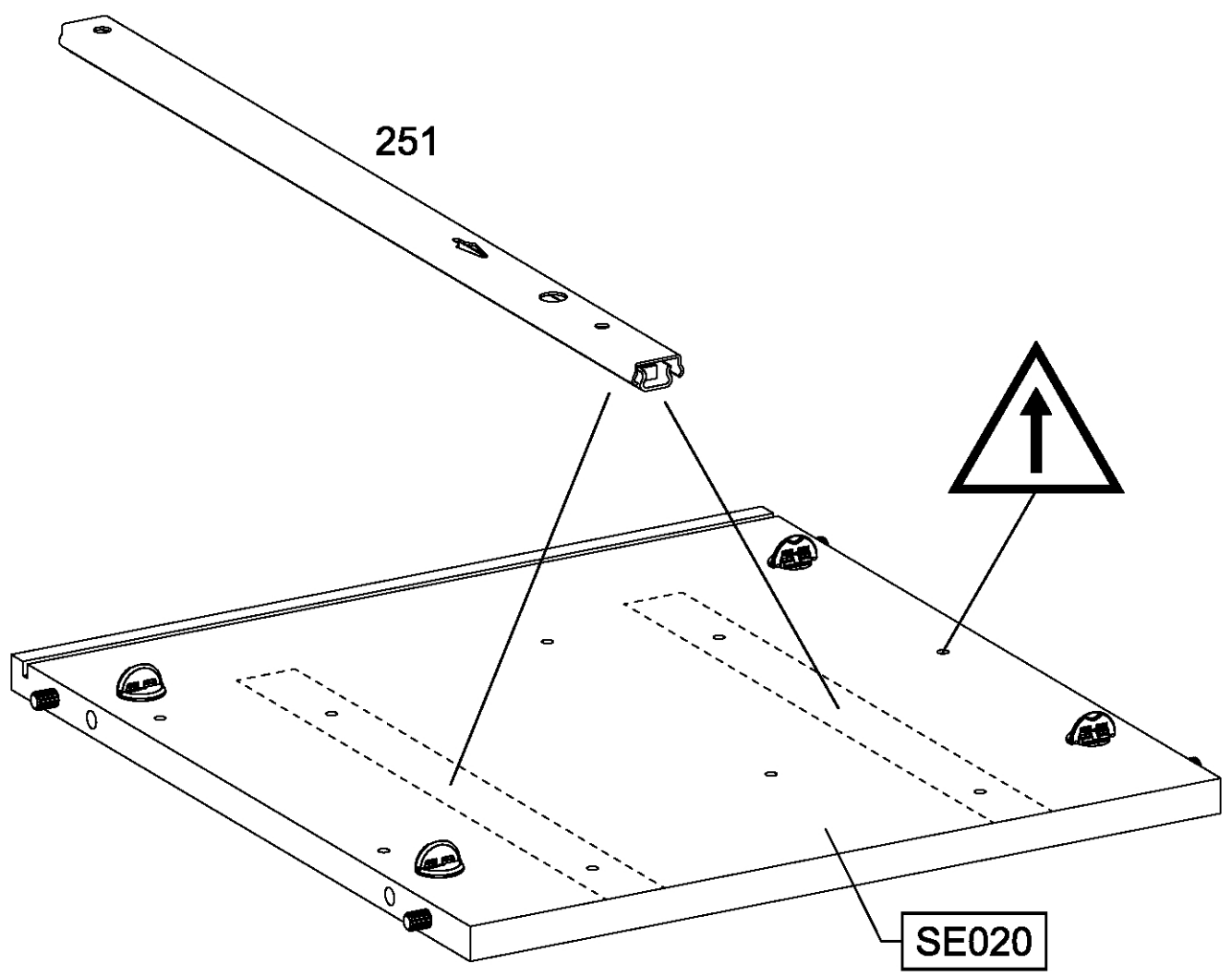
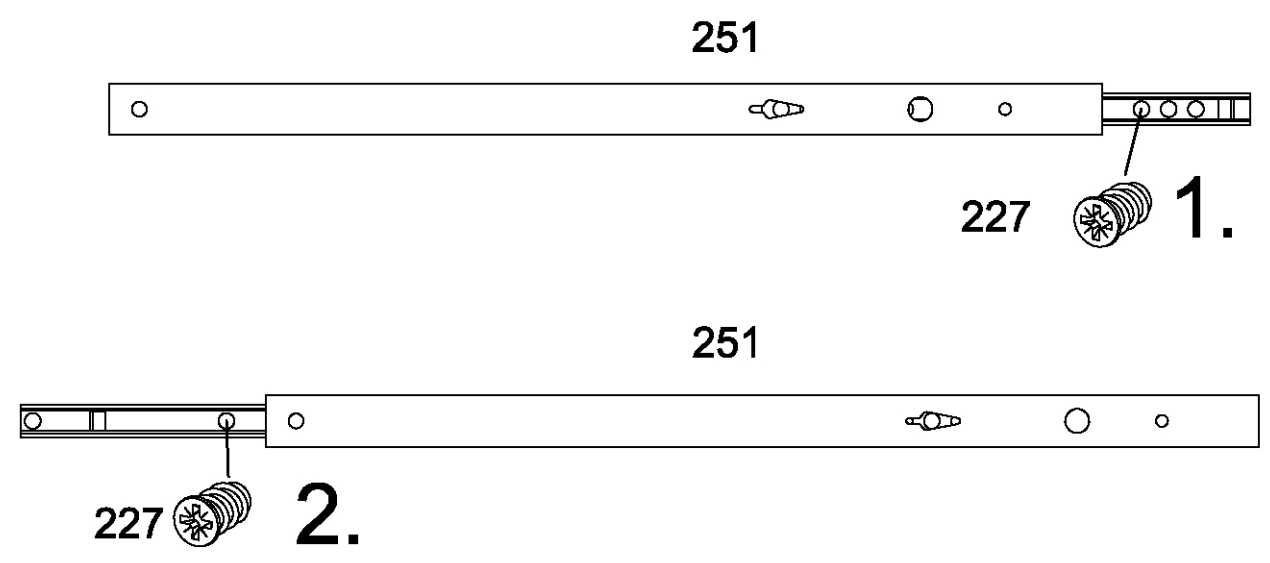
2x 1000



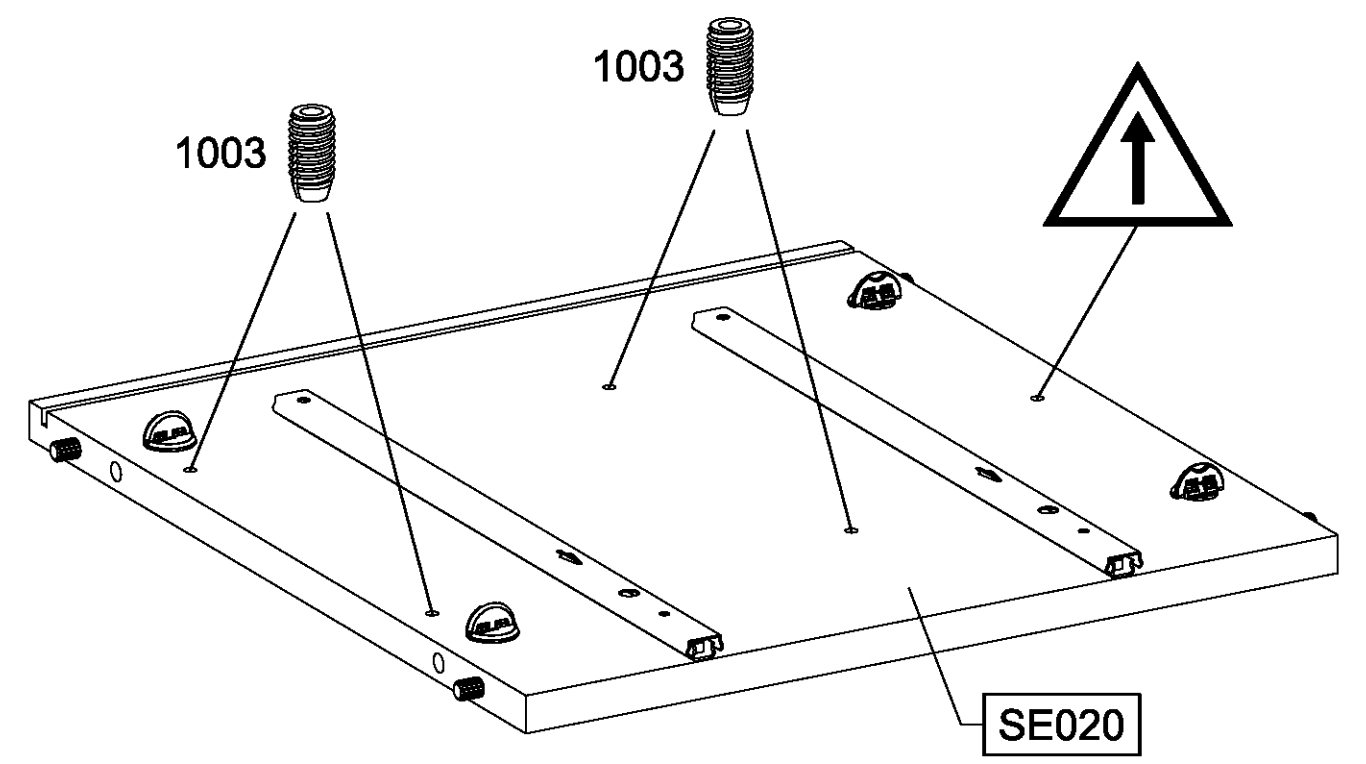
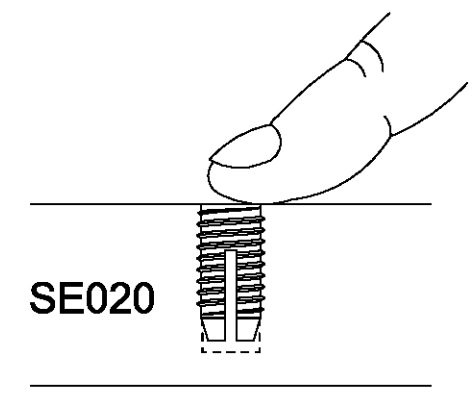
6x 1002 3,5x20



8 **4x** 227 6x10,5 **2x** 251 328x17x9,5 

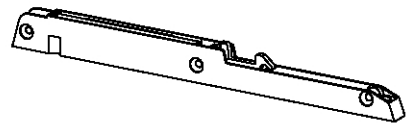


9 **4x** 1003 6x12 



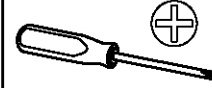
10

2x 1000

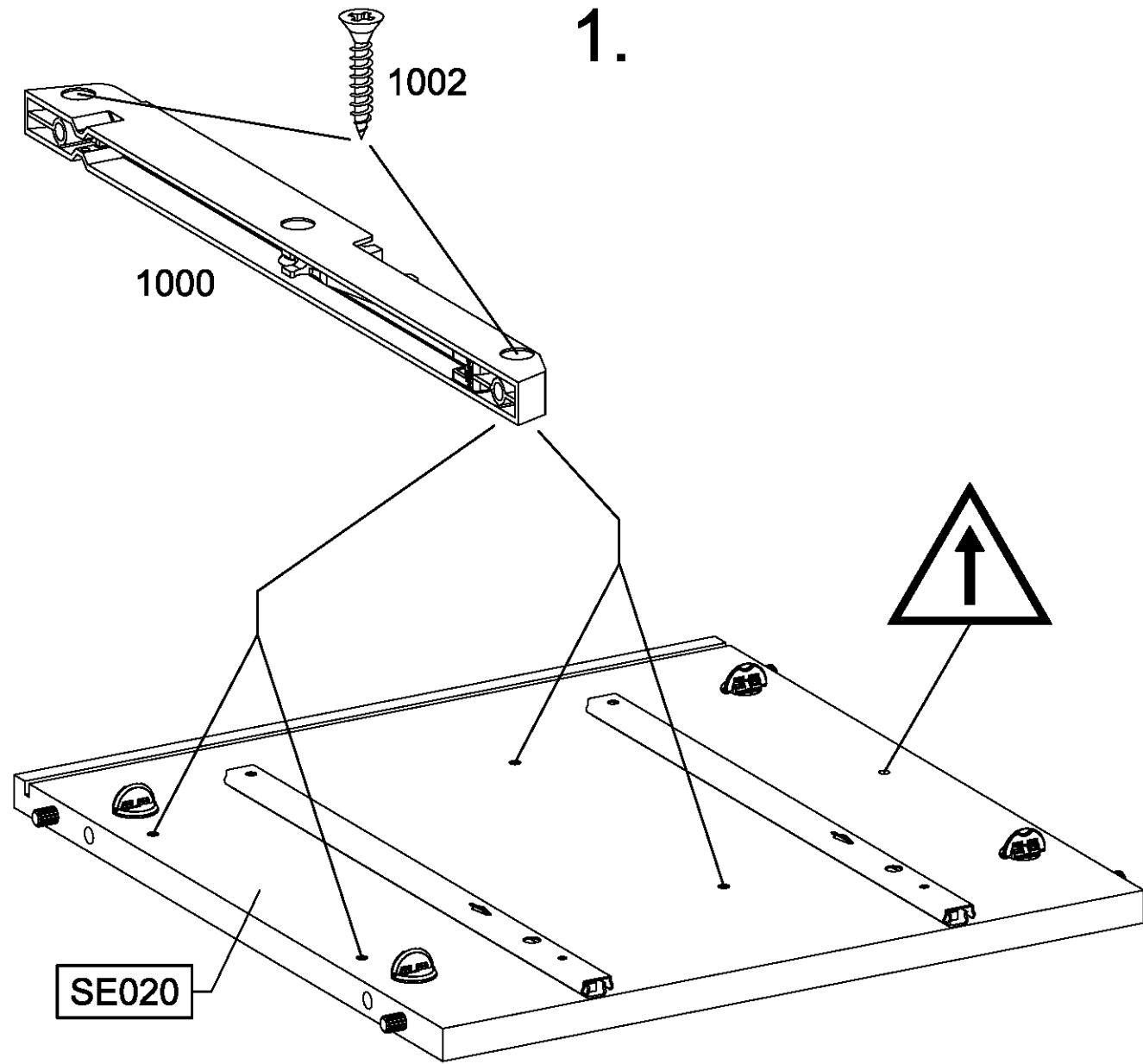


6x 1002

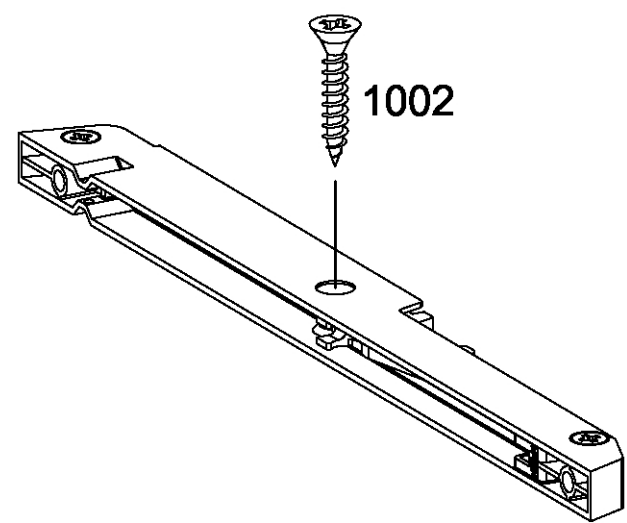
3,5x20



1.

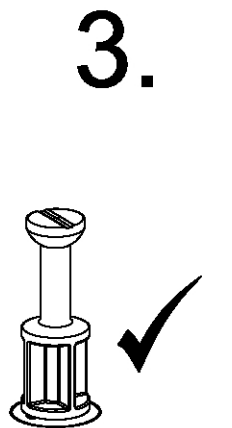
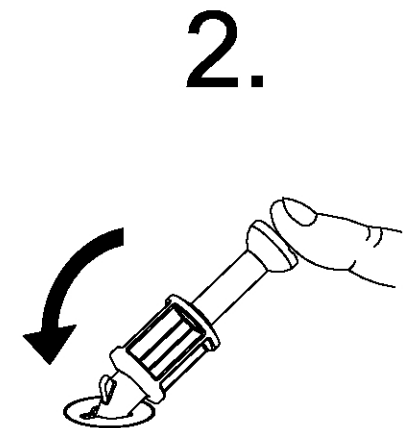
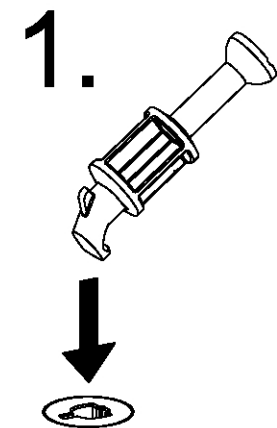
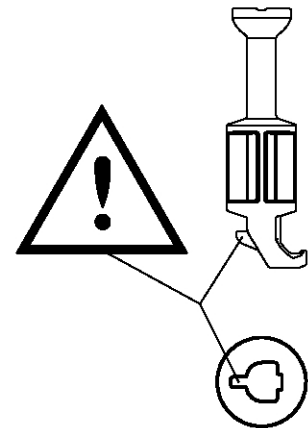
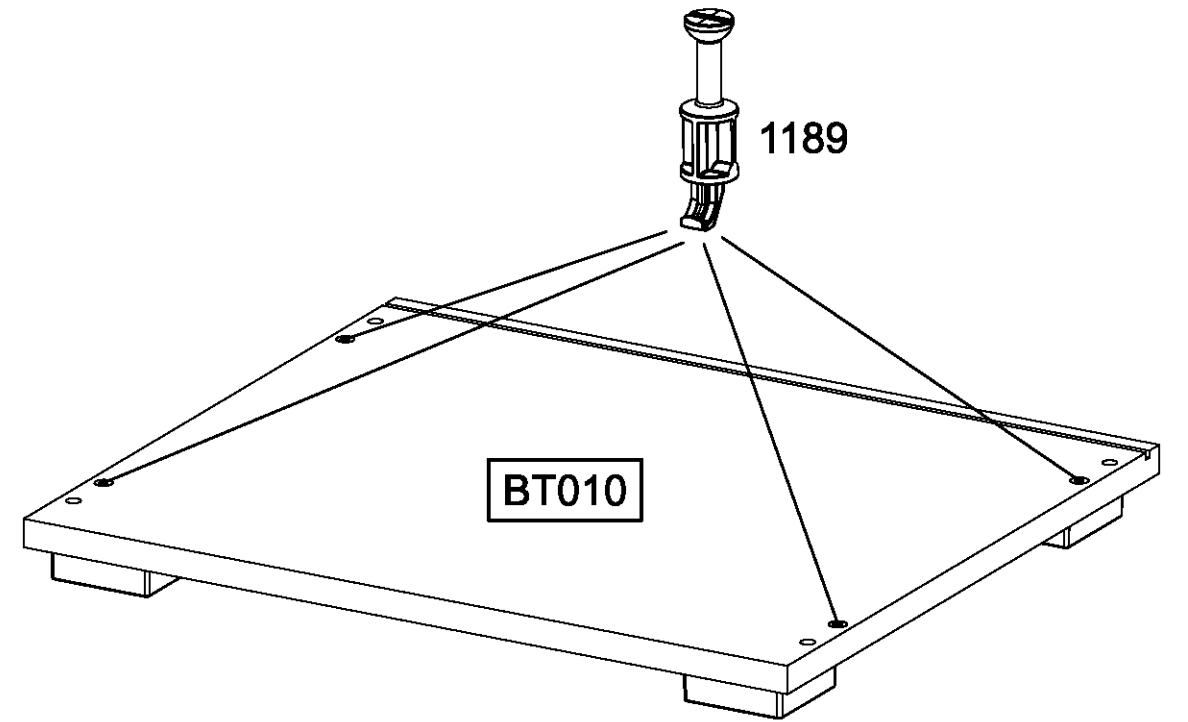
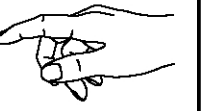


2.

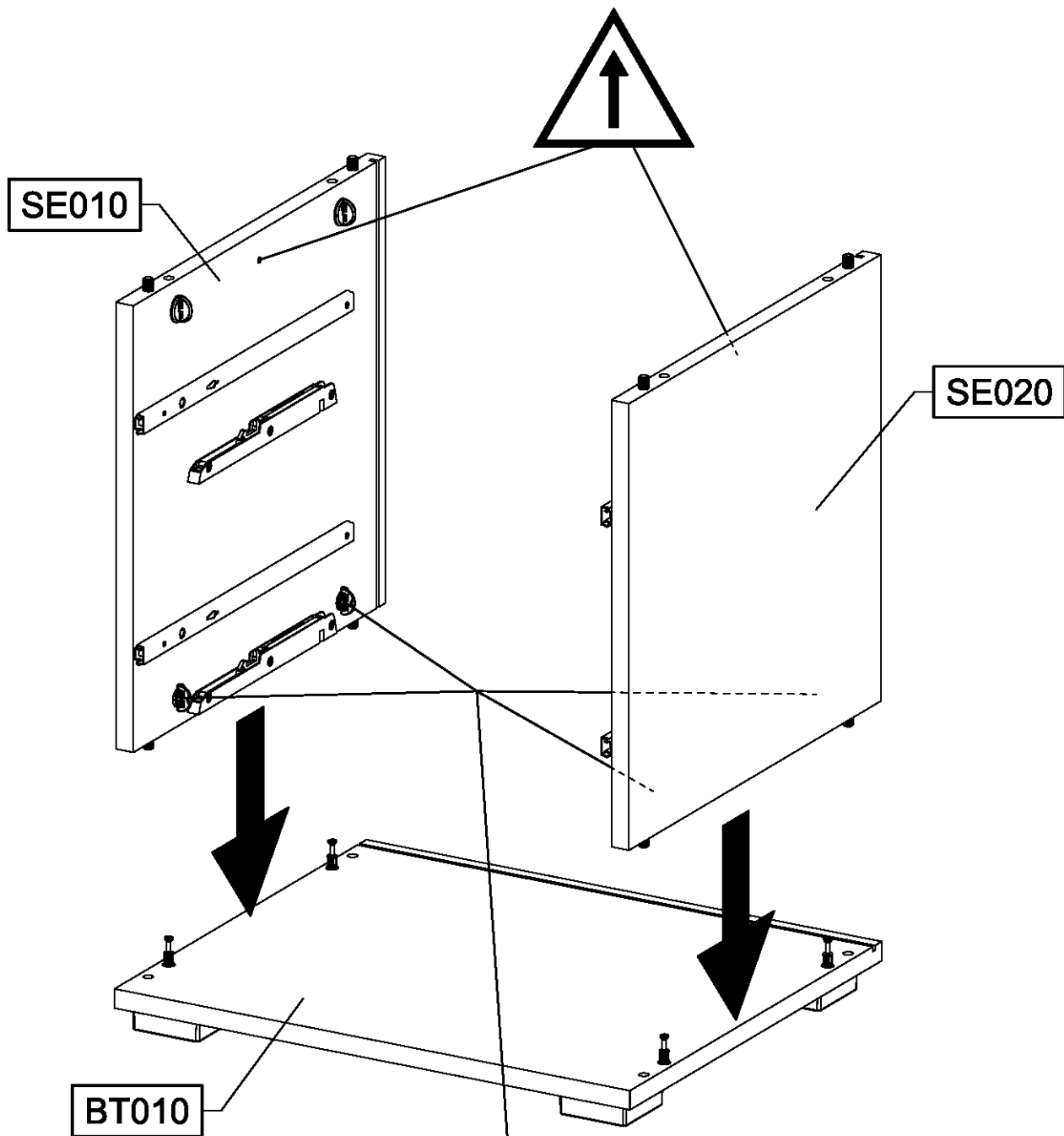


11

4x 1189

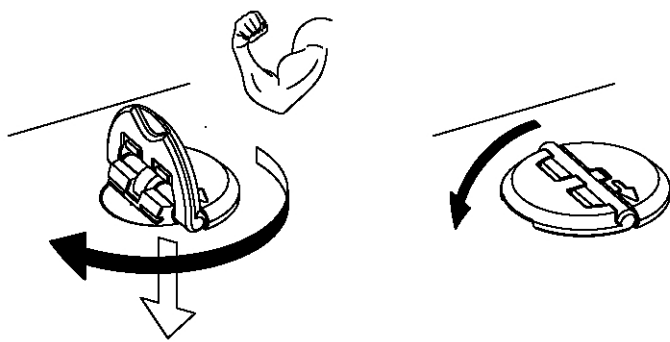


12

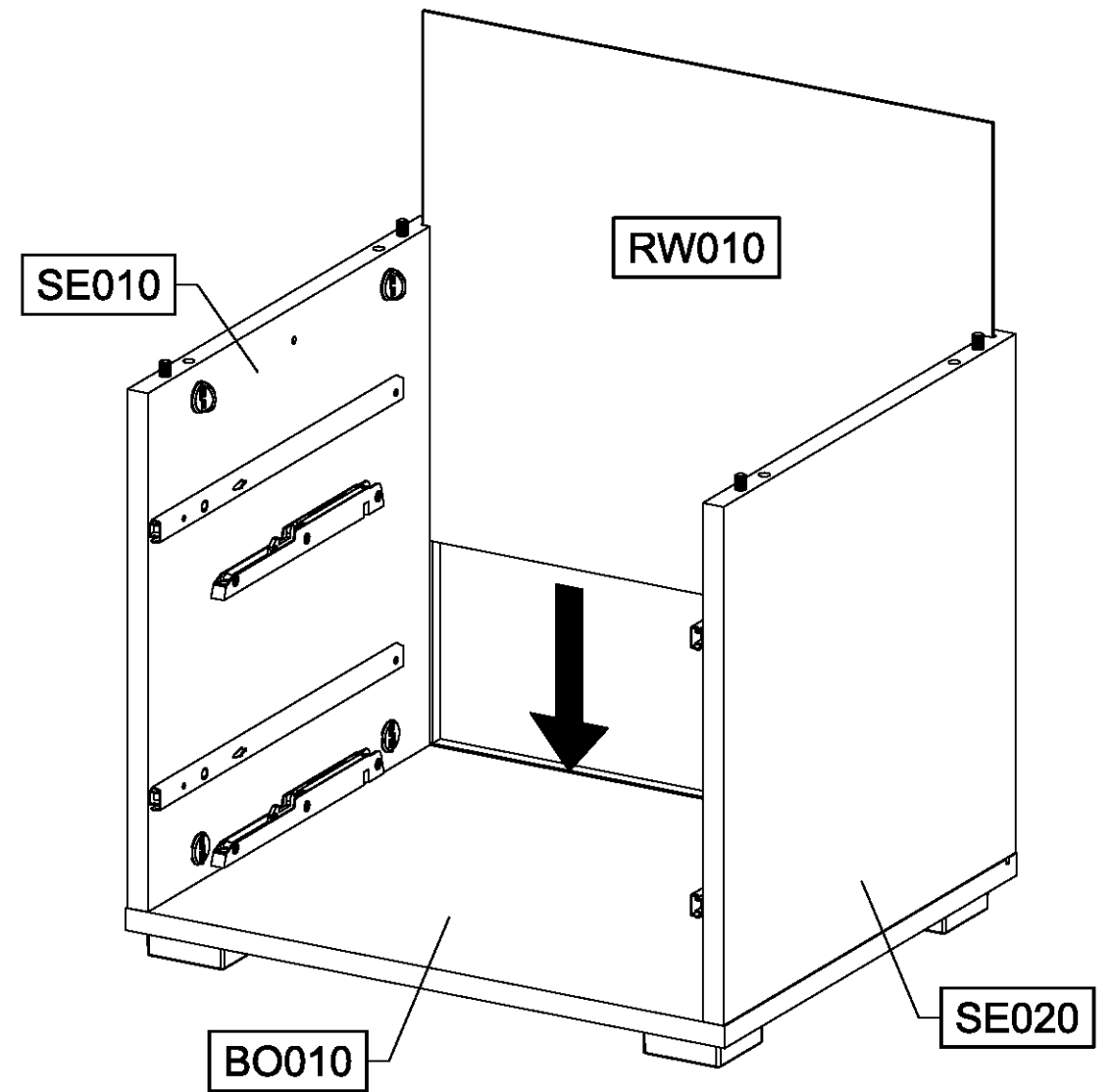


1.

2.

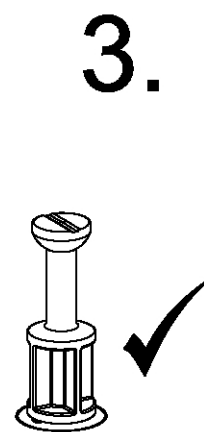
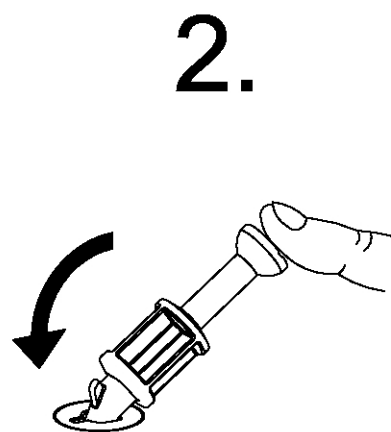
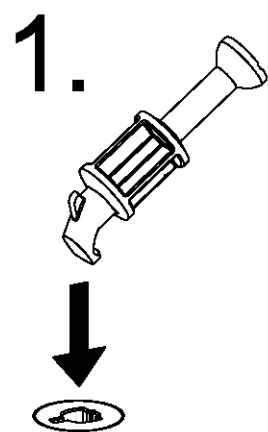
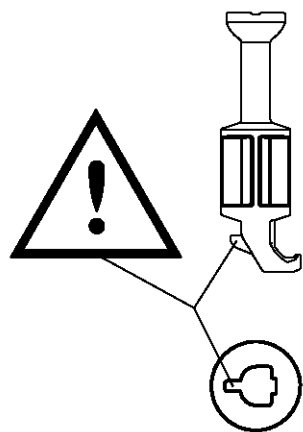
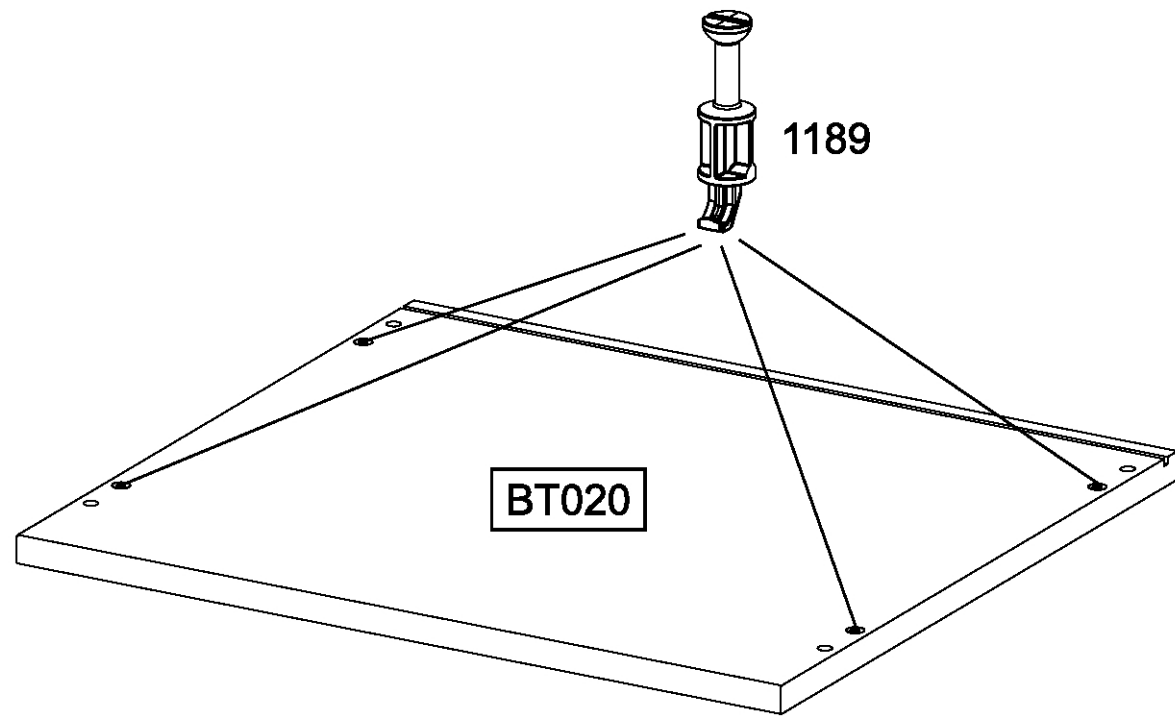


13

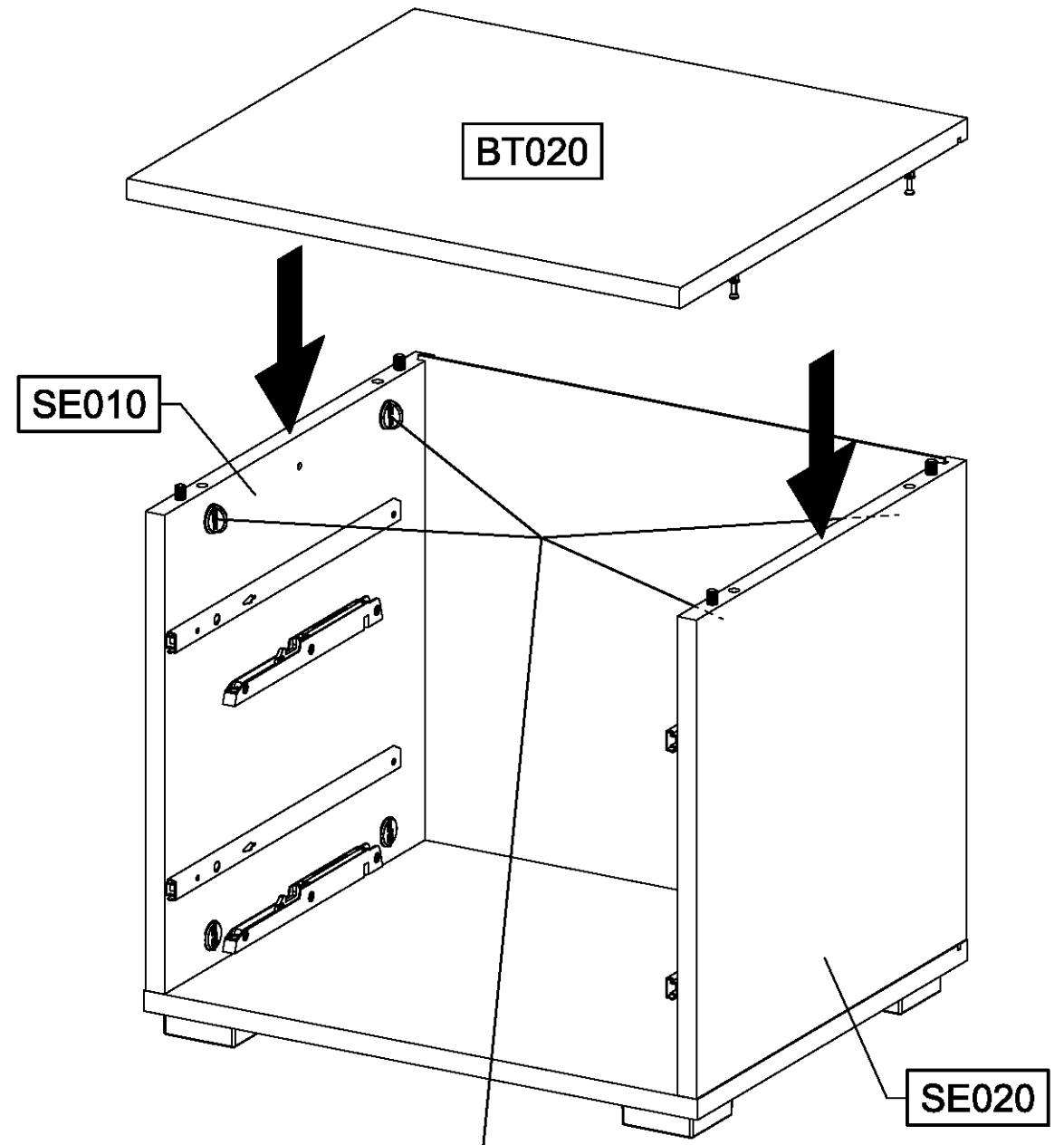
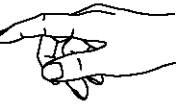


14

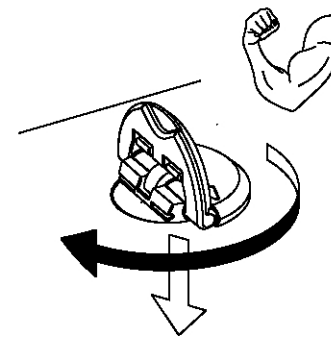
4x 1189



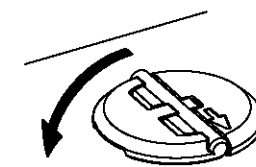
15



1.



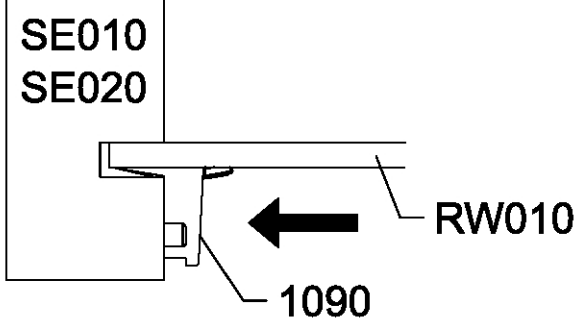
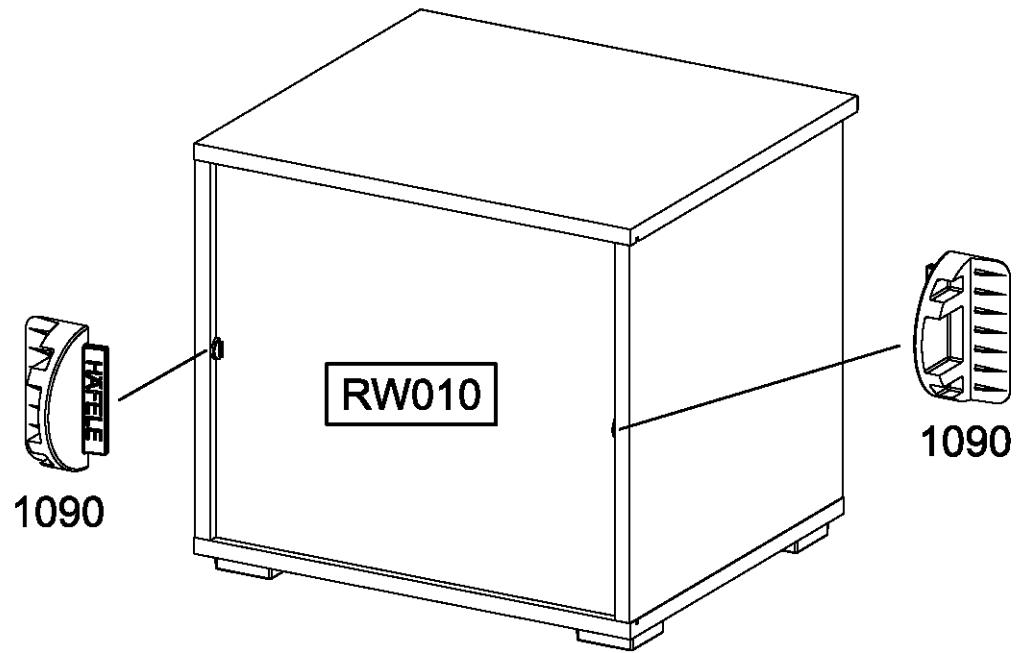
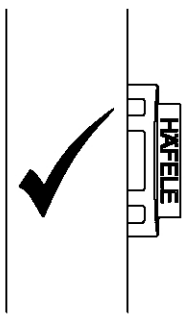
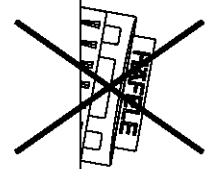
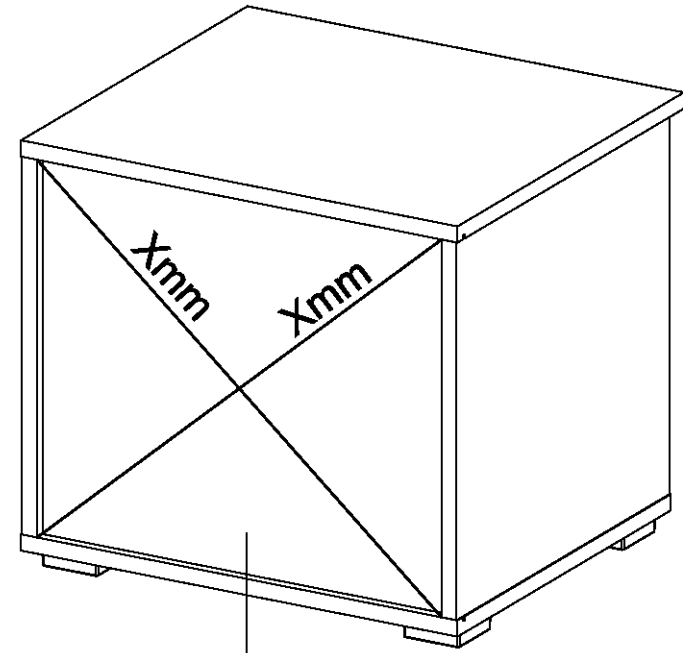
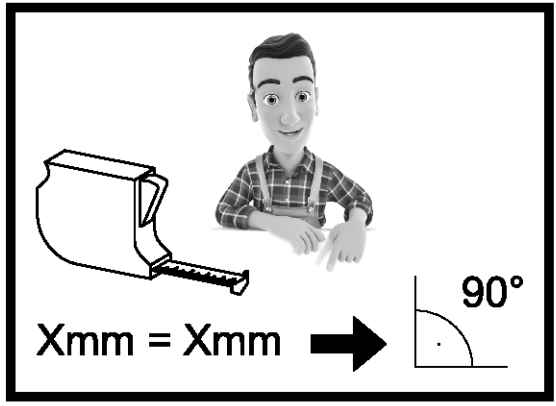
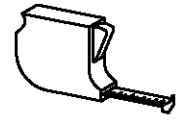
2.



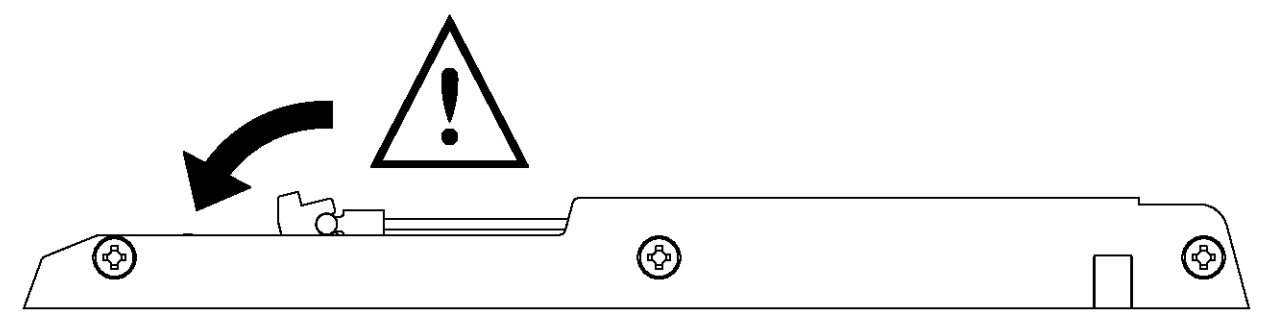
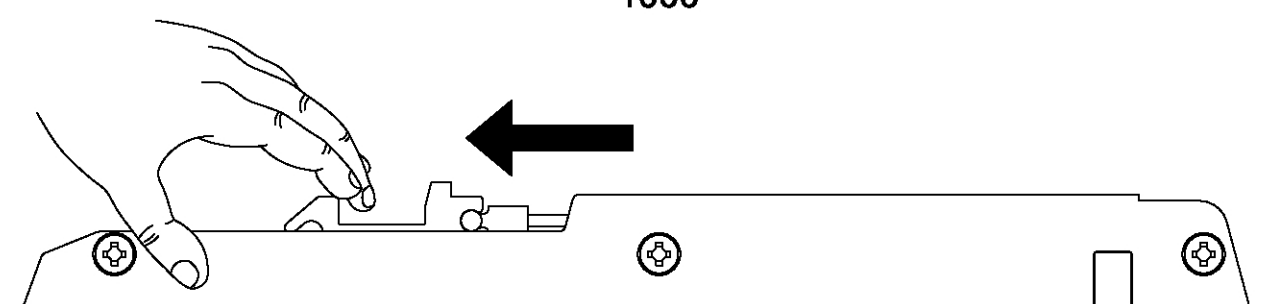
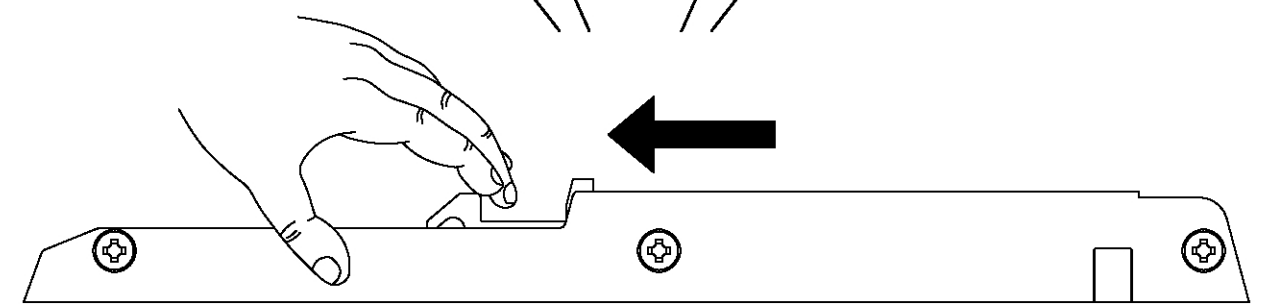
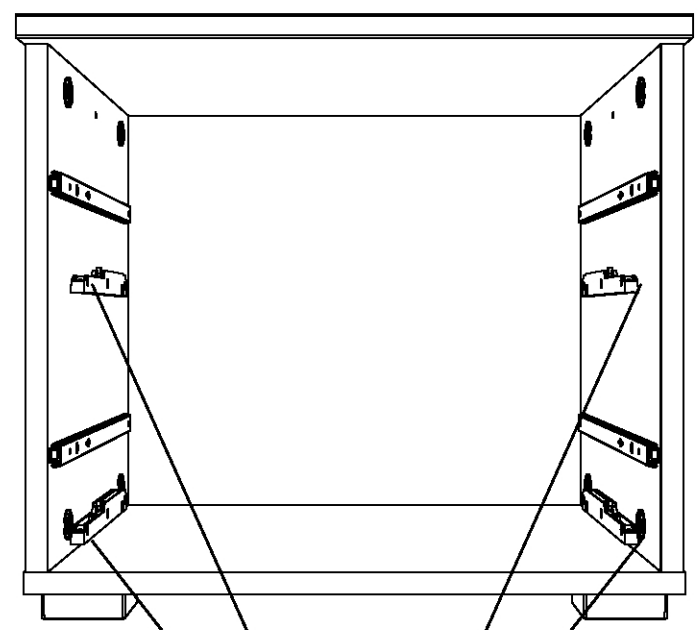
16

2x

1090



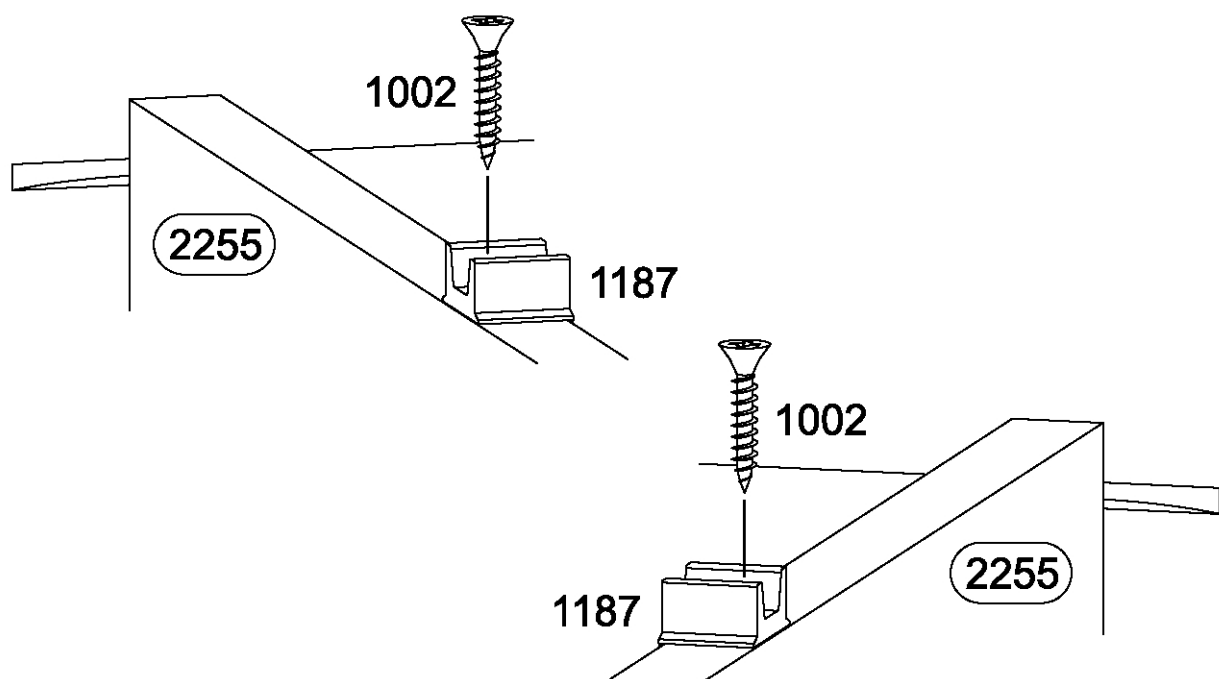
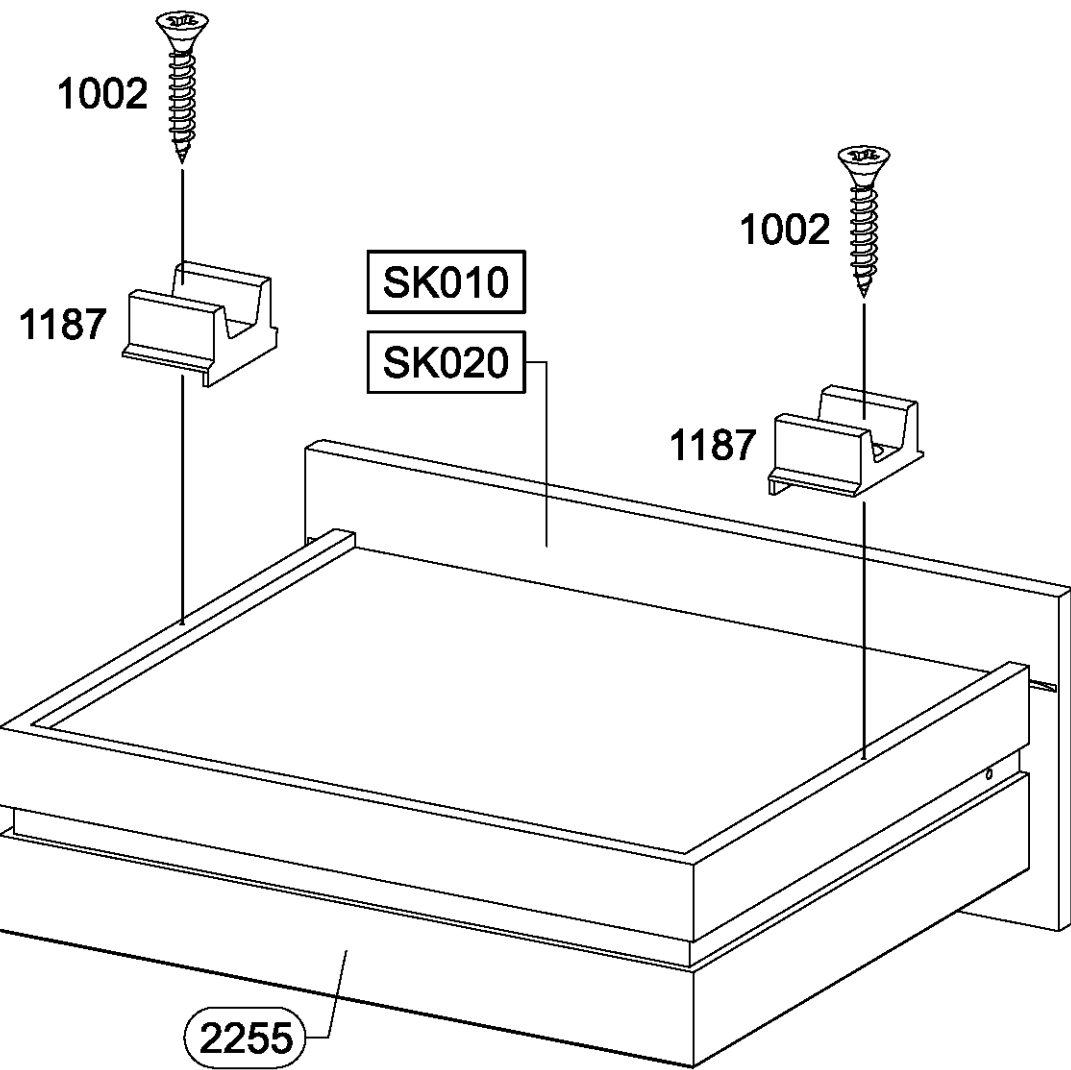
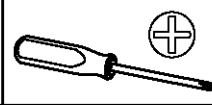
17



18

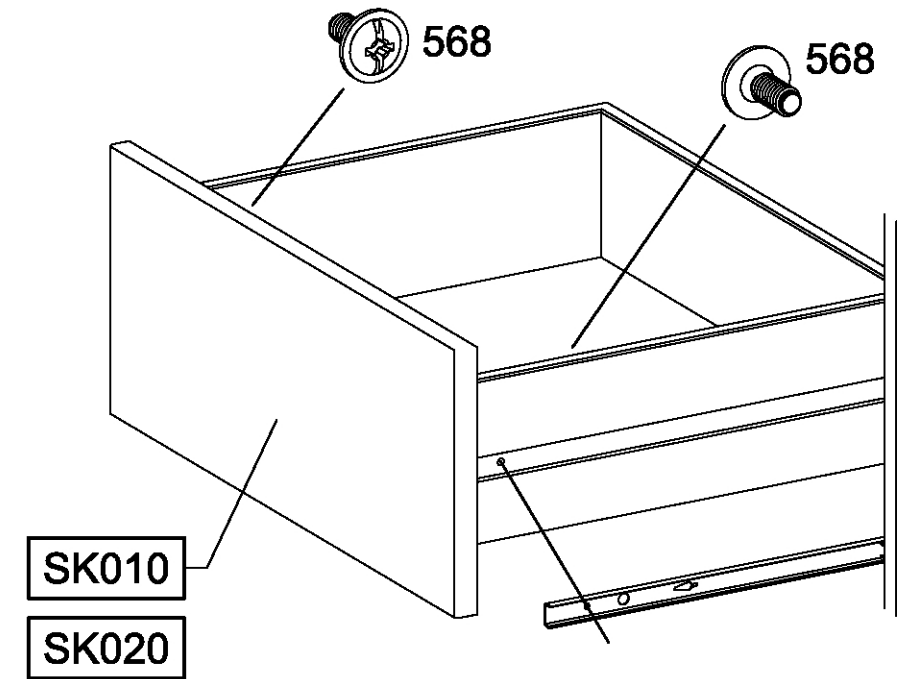
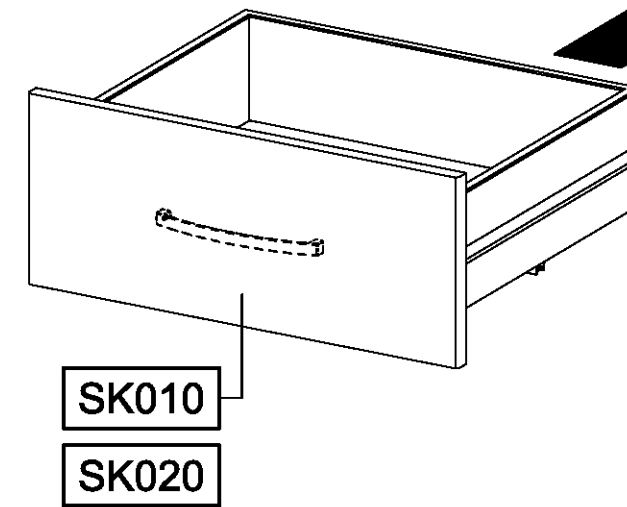
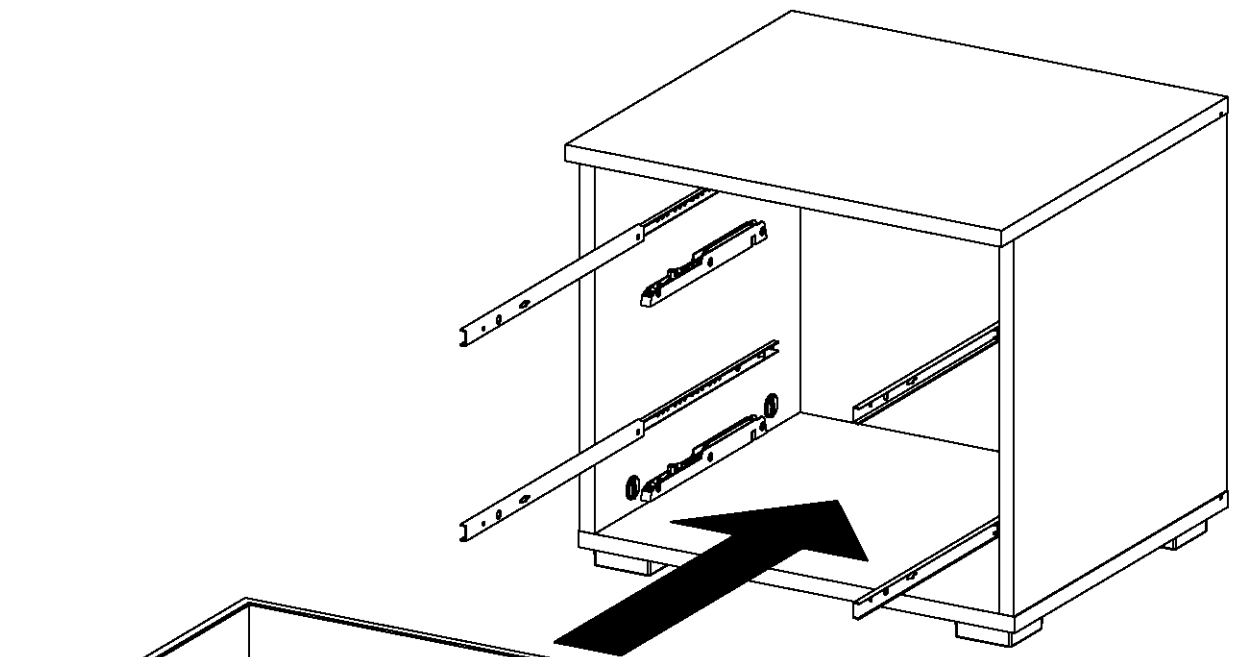
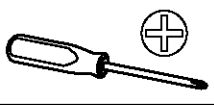
4x 1002 3,5x20

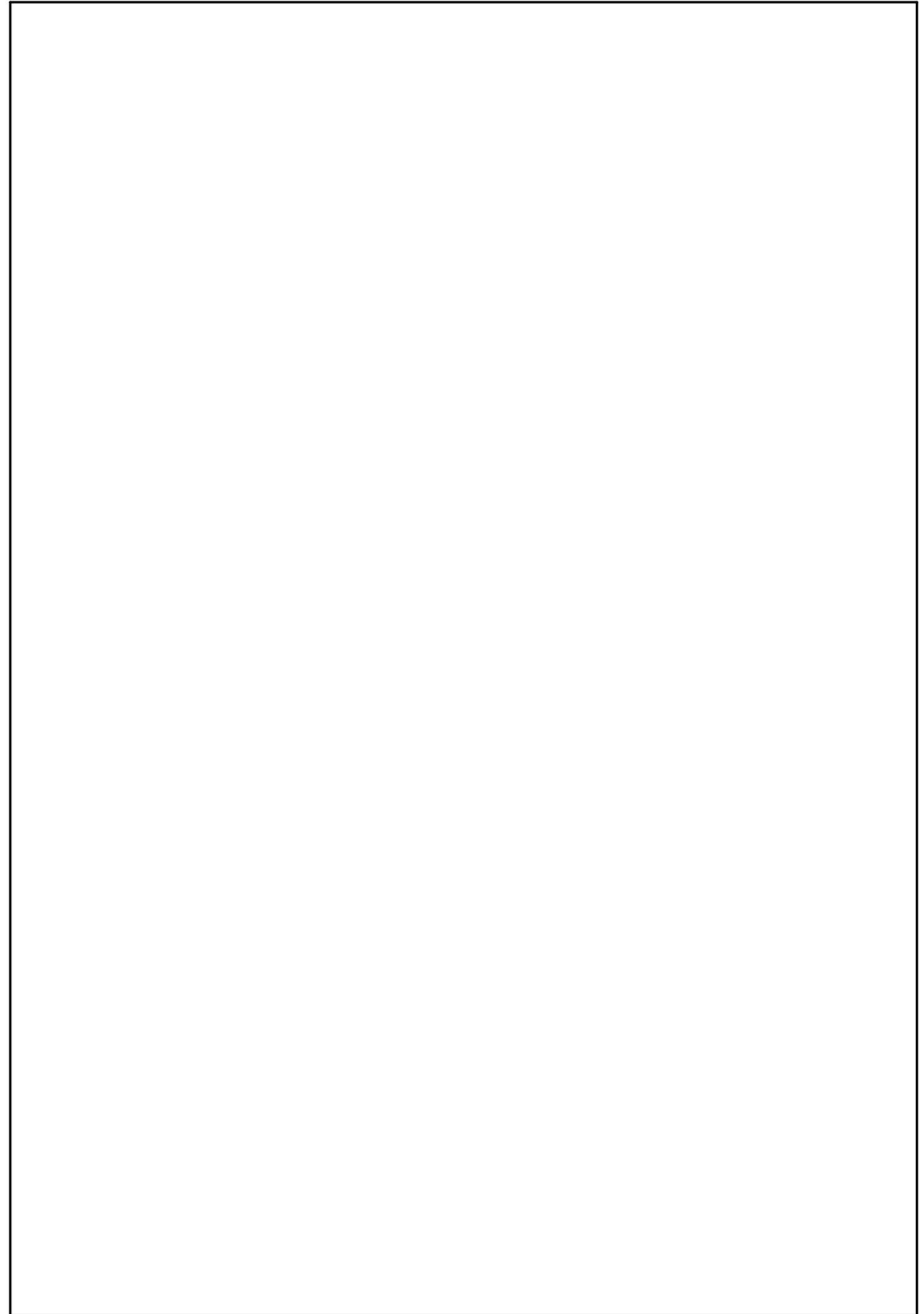
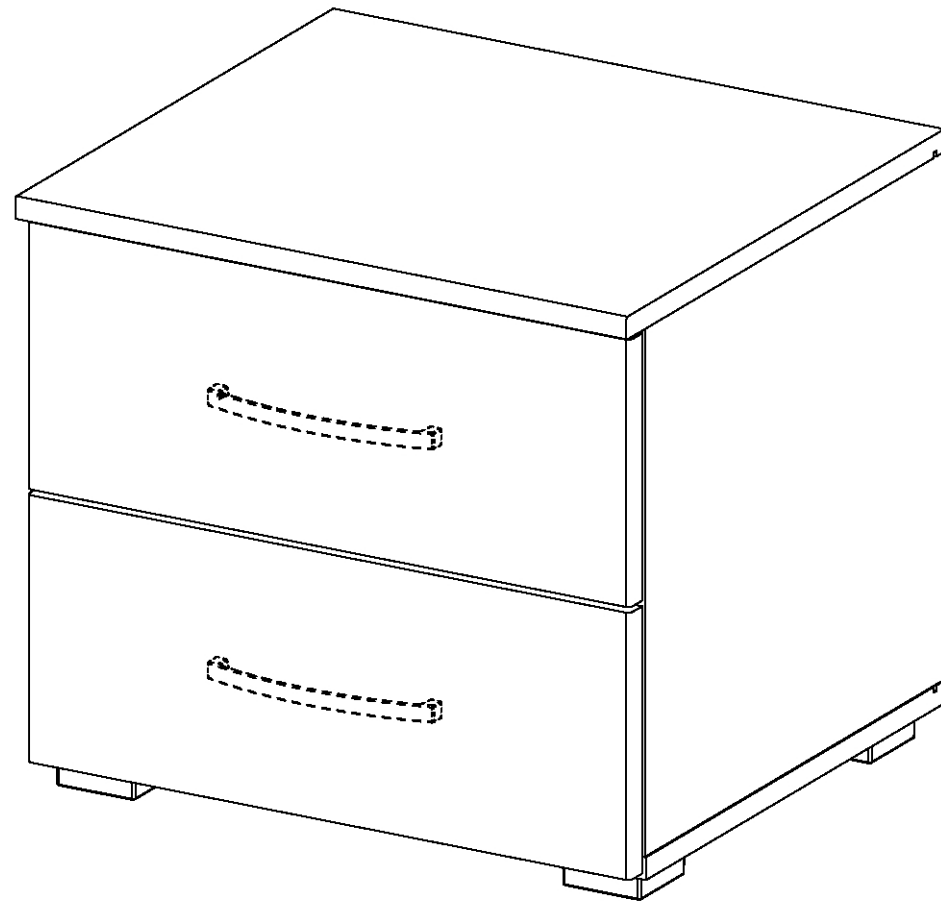
4x 1187



19

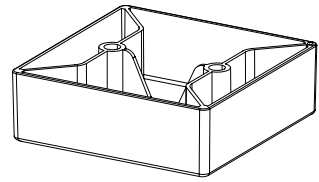
4x 568 M4x9





MZ044_02

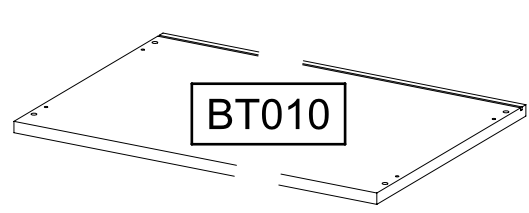
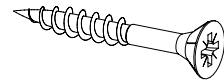
rauch



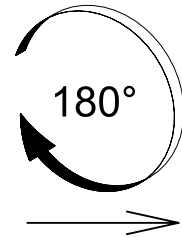
FU010

4x30

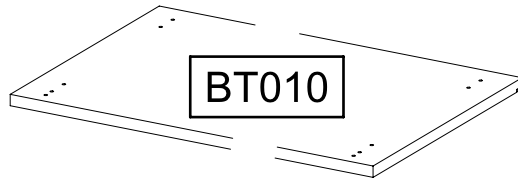
213



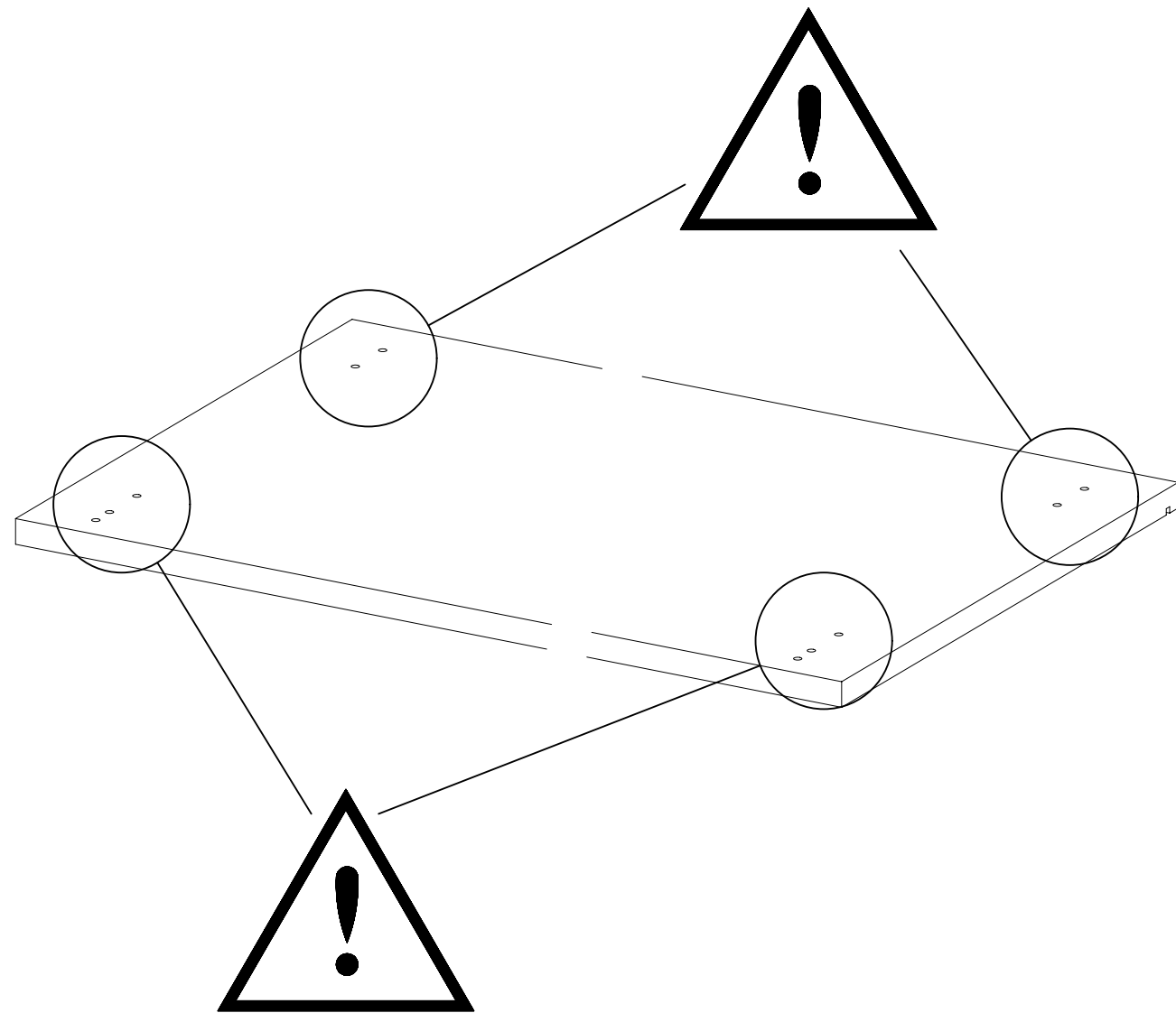
BT010



180°



BT010

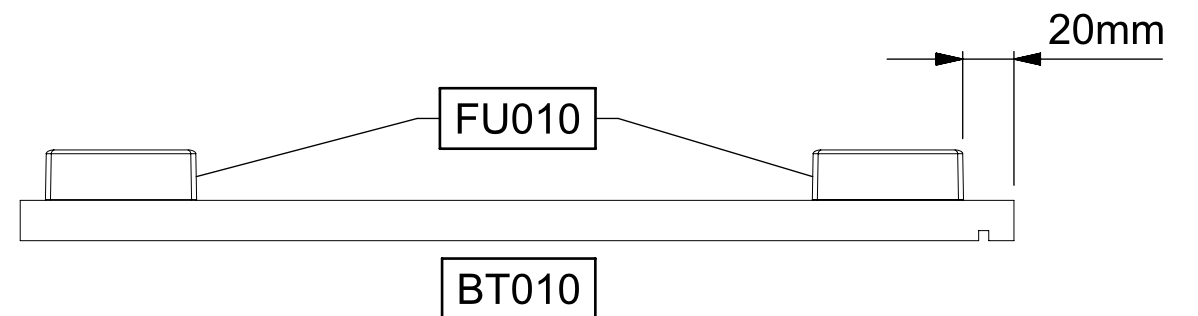
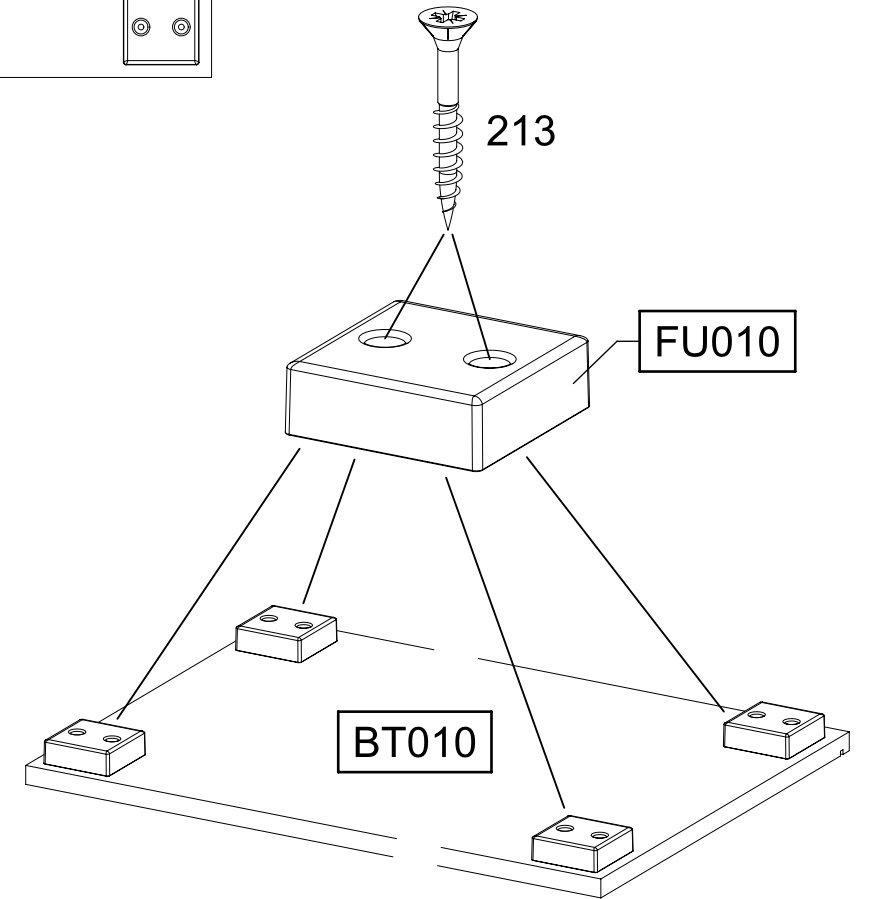
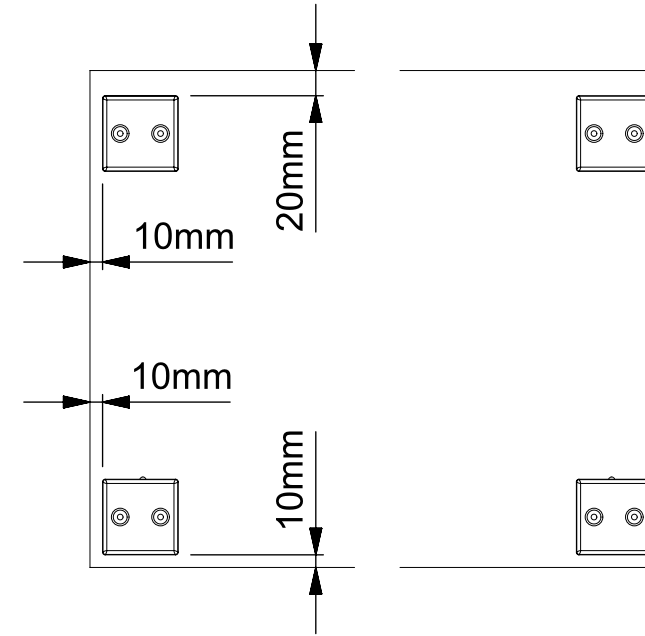
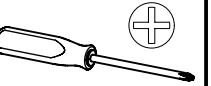
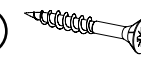


1

8x

213

4x30

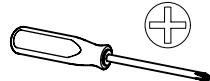
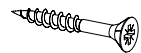


2

2x

213

4x30



MS010

BT010

FU010

1.

Xmm Xmm
Xmm Xmm

2.

213

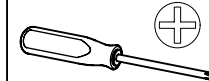
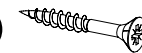
FU010

3

2x

213

4x30



MS010

BT010

FU010

FU010

1.

Xmm Xmm
Xmm Xmm

Xmm

?

2.

213

FU010

4

4x

213

4x30

