
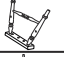
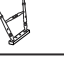











ASSEMBLY INSTRUCTION

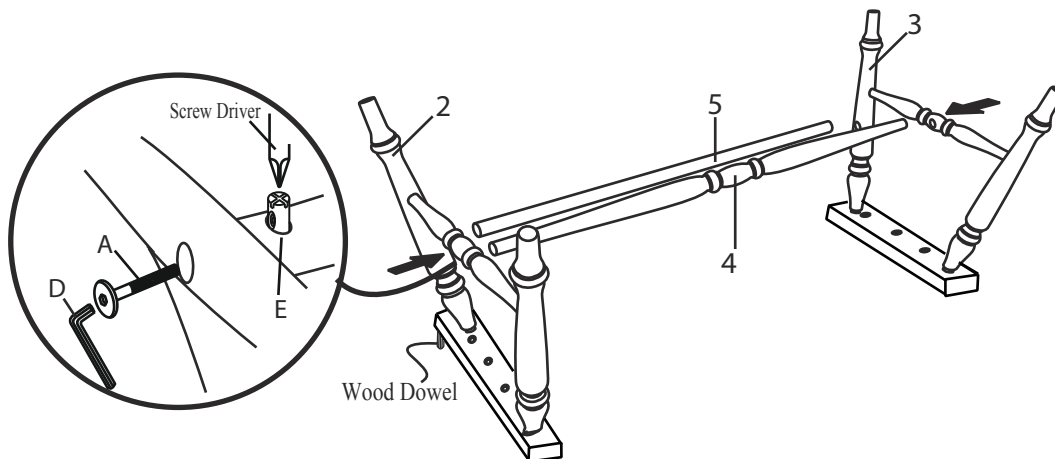
DESCRIPTION : SLAT BACK BENCH (RTA)

Thank you for purchasing this quality product. Be sure to check all packing material carefully for small parts which may have some loose inside the carton during shipment. Identify and count all parts and compare with the parts List Below :

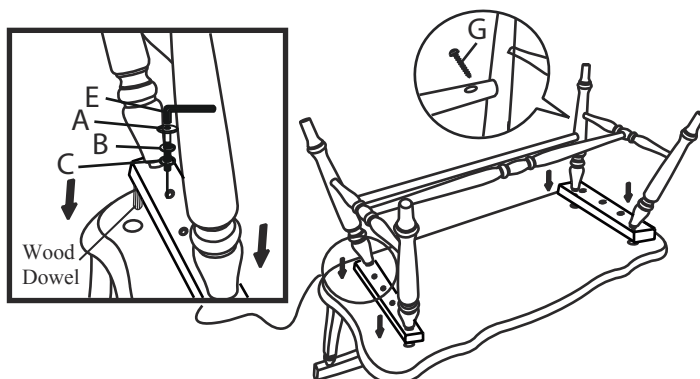
COMPONENT LIST			
No	DESCRIPTION		QTY
1	Bench Seat		1 Pce
2	Left Leg Frame		1 Pce
3	Right Leg Frame (Have Wood Dowel)		1 Pce
4	Center Stretcher		1 Pce
5	Back Stretcher		1 Pce

ASSEMBLY HARDWARE PACK			
No	DESCRIPTION		QTY
A	JCBC Bolt		8 pcs
B	Lock Washer		6 pcs
C	Flat Washer		6 pcs
D	Allen Key		1 pc
E	JRN Nut		2 pcs
F	Wood Plug		2 pcs
G	Pan Head Screw		2 pcs

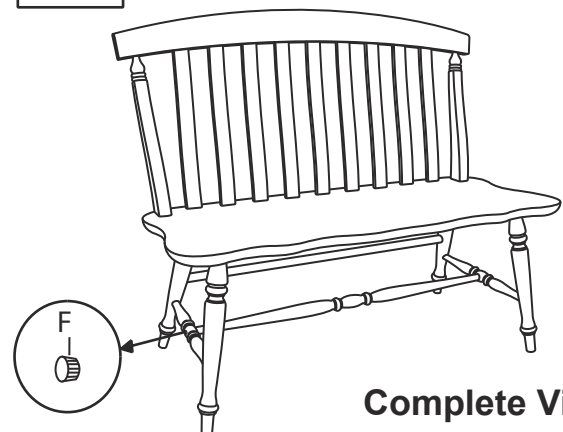
STEP 1



STEP 2



STEP 3



Complete View

ASSEMBLY TIPS:

1. Remove hardware from box and sort by size.
2. Please check to see that all hardware and parts are present prior start of assembly.
3. Please follow attached instructions in the same sequence as numbered to assure fast and easy assembly.

⚠ WARNING!

1. Don't attempt to repair or modify parts that are broken or defective. Please contact the store immediately.
2. This product is for home use only and not intended for commercial establishments.