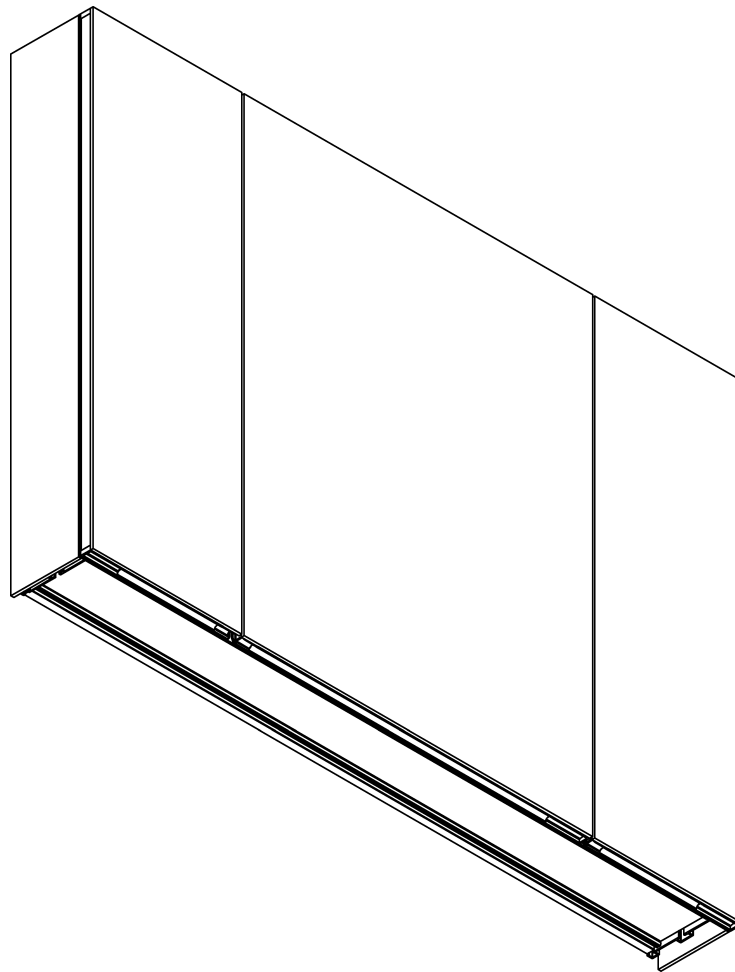


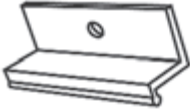
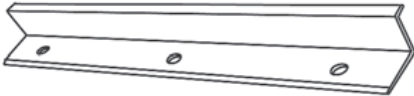

Assemble Instruction


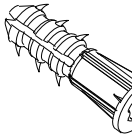



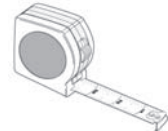
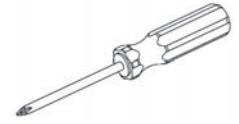
Aluminum Medicine Cabinet

List of Parts:

Tools Needed:

- | | | | |
|----------|---|----|--|
| 1 | Cabinet
Gabinete
Bâti de l'armoire | X1 | |
| 2 | Top Bracket
Soporte superior
Support supérieur | X2 |  |
| 3 | Bottom Bracket
Soporte inferior
Support inférieur | X1 |  |
| 4 | Side Mirror
Side Mirror
Miroir latéral | X2 |  |

- | | | | |
|----------|---|----|--|
| A | Side Mirror Screw
Tornillo para el lateral del espejo
Vis pour miroirs latéraux | X4 |  |
| B | Wall Anchor
Anclaje de pared
Cheville murale | X5 |  |
| C | Mounting Screw
Tornillo de montaje
Vis de montag | X5 |  |



Rough Wall Opening

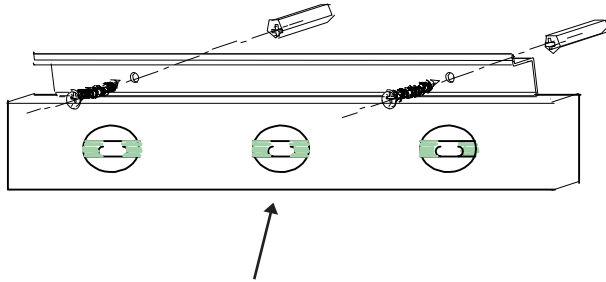
Overall Size	Rough Wall Opening
36 in.(W) X 26 in.(H) X 5 in.. (D)	36-1/4 in(W) X 25-5/16 in. (H) X 3-7/8 in. (D)

Use a 1/4 in. (6 mm) drill bit for drywall anchor installation. Use a 1/8 in. (3mm) drill bit for direct stud installation.

NOTE: If installing into a material other than drywall or into stud, consult a professional for proper installation.

Step 1

Measure and mark two bottom mounting holes on the wall corresponding to the pre-drilled hole locations in the bottom mounting bar.

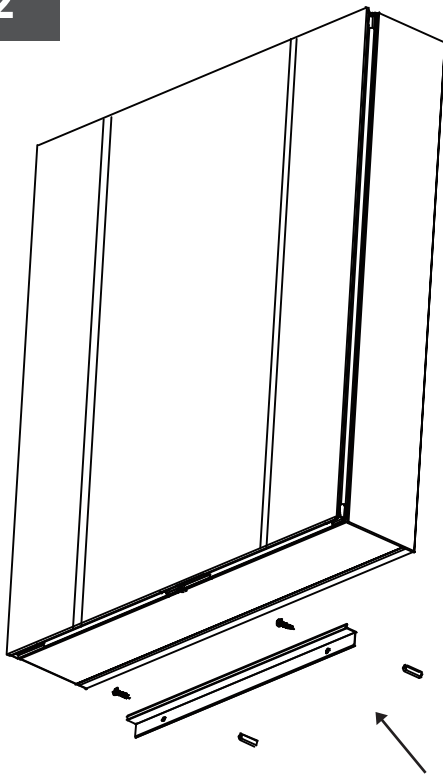


Draw horizontal line connecting the two bottom marked location. the line should to be level. adjust to level if necessary.

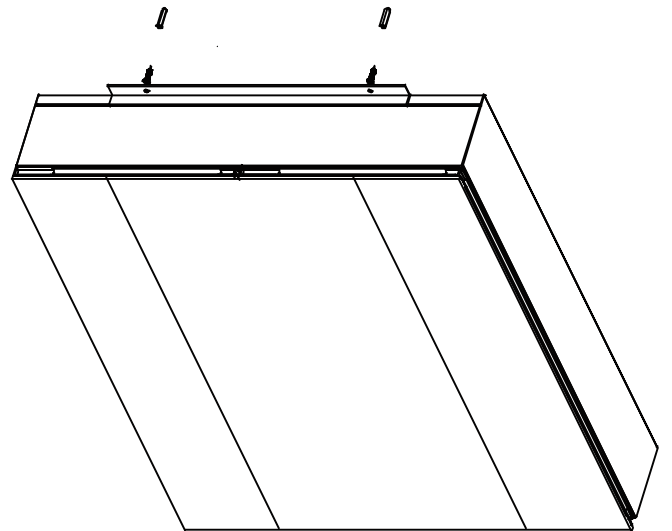
Use a 1/4 in. (6 mm) drill bit for drywall anchor installation. Use a 1/8 in. (3mm) drill bit for direct stud installation.

NOTE: If installing into a material other than drywall or into stud, consult a professional for proper installation.

Step 2



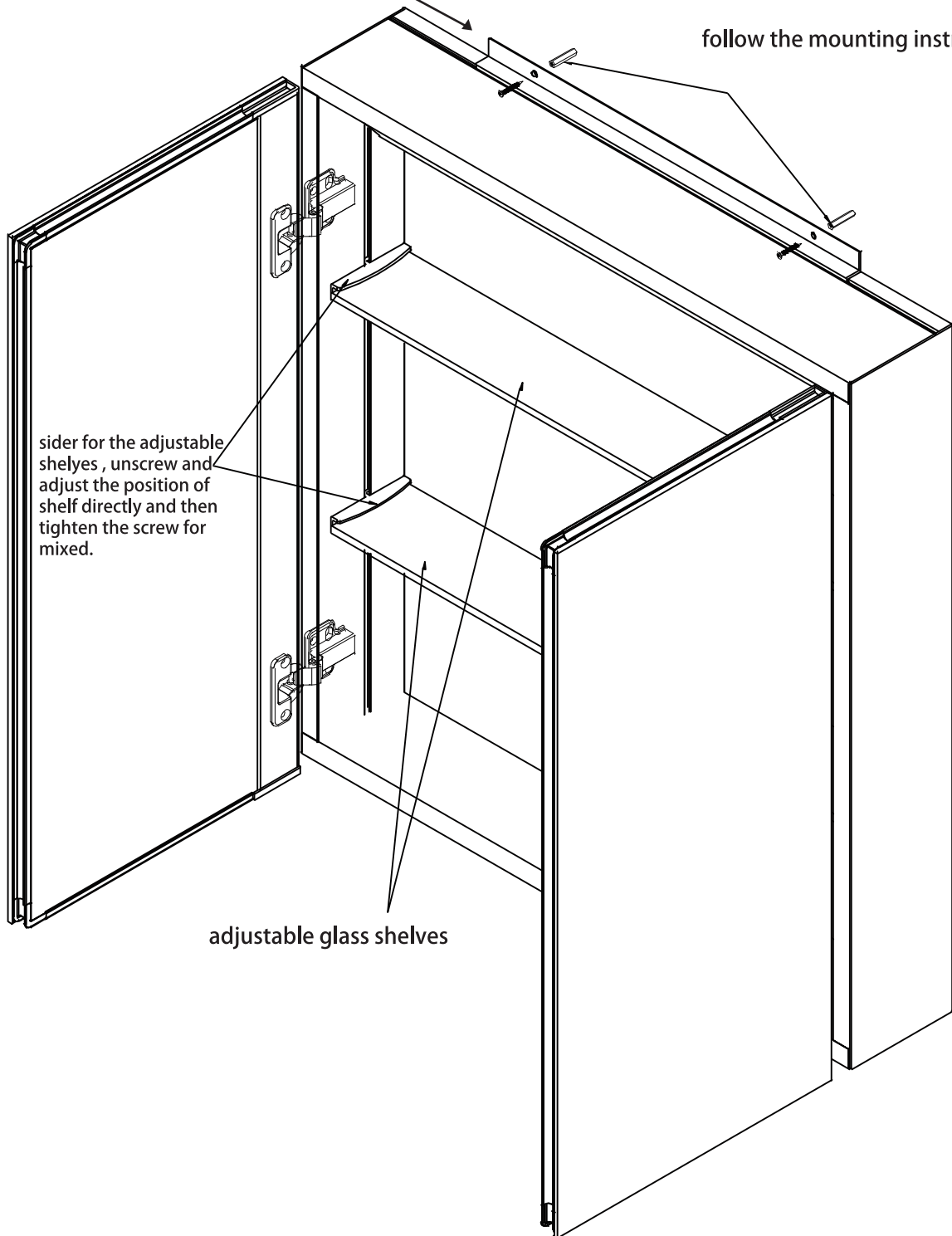
Attach the bottom mounting bar hanger to the wall with two mountin screws from the hardware pack.



Step 3

Install the top bar hanger with the same way as the bottom bar

follow the mounting instruction



Put the cabinet on the bottom bar hanger and hold the cabinet, please make sure that the hanger must mach the track from the bottom board of the cabinet

RECESS MOUNT INSTRUCTIONS

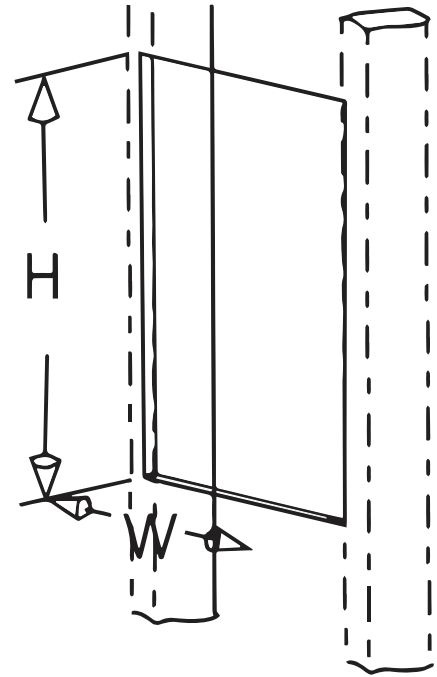
NOTE: Rough opening is not an exact measurement. The extra space allows cabinet to be inserted into the opening. Add shims to level and tighten space if necessary. Additional framing might be required.

STEP 1

NOTE: Before cutting the rough opening, check for pipes, electrical cables, or heating ducts. If it is required to remove part of stud, make sure that the wall is not a load bearing wall.

Prepare the opening in the wall for the cabinet body. Make sure that there is support on both sides of the opening to attach the cabinet body, as shown.

NOTE: The cabinet height should be a minimum 2 in. above faucet.

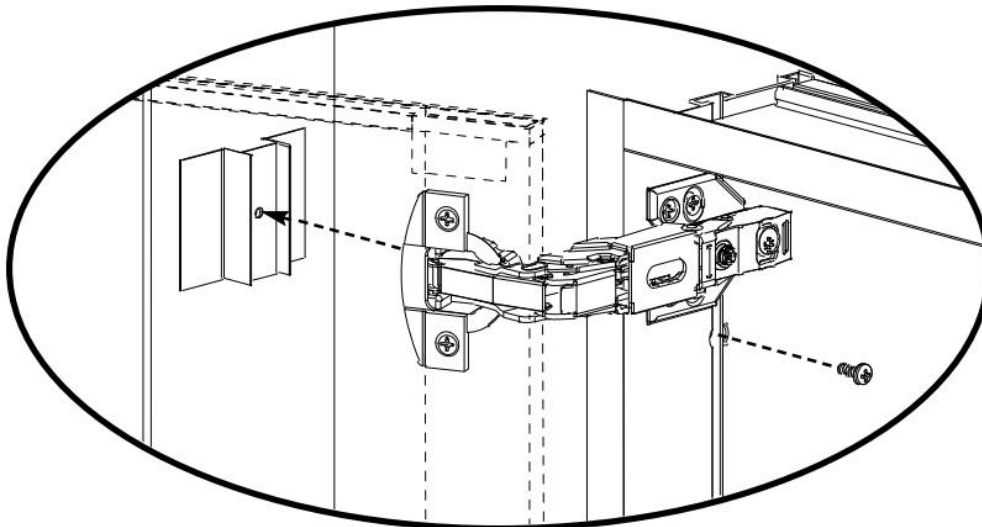


STEP 2

Position the cabinet body in the rough wall opening. Make sure that the cabinet body flange covers the wall opening uniformly.

Secure both sides of the cabinet body to the wall supports using mounting screws.

NOTE: The cabinet body must be level for the door to work properly.



SHELF ADJUSTMENT

For your convenience, adjustable shelves have been pre-installed. In order to adjust shelf location:

- 1 Carefully slide the shelf out from shelf clips. See fig.1.
- 2 Loosen each shelf clip screw (two for each shelf) and slide to the desired location. See fig 2.
- 3 Carefully slide the shelf into the shelf clips making sure shelf is level and retighten shelf clip screws.

fig. 1

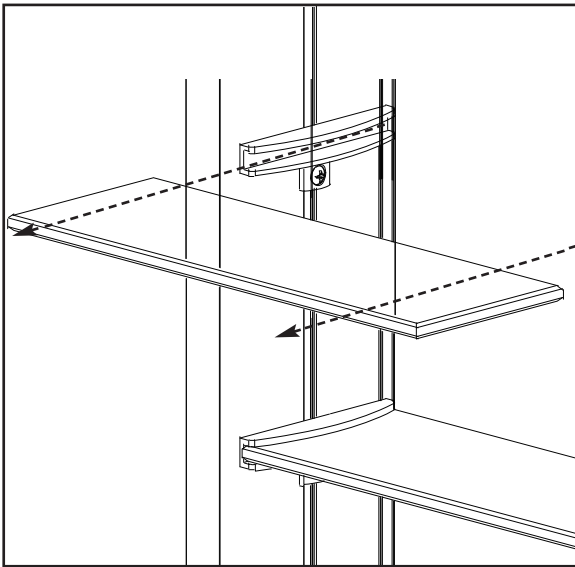
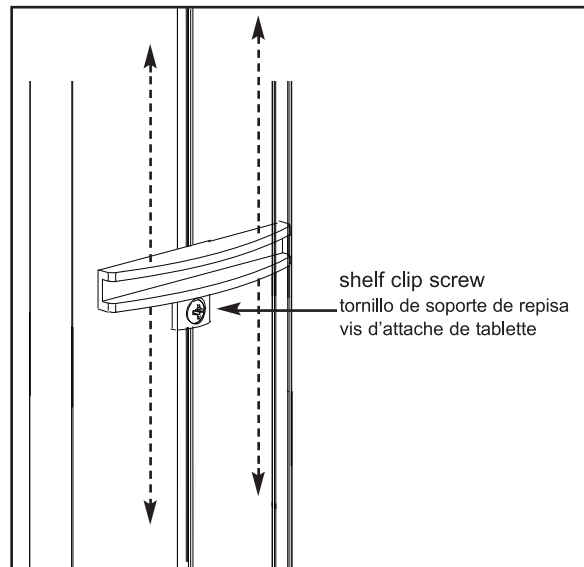


fig. 2



HINGE ADJUSTMENT

SIDE-TO-SIDE:

Door is adjustable side to side by turning screw A clockwise or counterclockwise.

UP-DOWN:

Loosen screw B on both top and bottom of hinge plate. Raise or lower door to the desired position and re-tighten both screws.

IN-OUT:

Loosen screws C on both top and bottom hinges. Move the door in or out to desired position and re-tighten.

