

NOTICE

*Please make sure that you have all parts indicated and they are in good condition before you begin assembly of this item. Refer to part list and hardware list below for guidance.

*This item should be assembled on a soft surface to prevent scratching the finish during assembly.

*This item may require periodic tightening.

*If you are having difficulty, our friendly Customer Care team is always here to help.

PREPARATION

* Before beginning assembly of product, make sure all parts are present. Compare parts with part contents list and hardware contents list.

* If any part is missing or damaged, do not attempt to assemble the product.

* Estimated Assembly Time: 10 minutes.

* Tools Required for Assembly (included): Allen Key

CARE AND MAINTENANCE

OUTDOOR FURNITURE CARE

Store outdoor furniture indoors or cover well when not in use. Remove wooden furniture from standing water.

Dust regularly with small brush or vacuum.

Spills should be taken care of immediately before they harden or stain with a slightly dampened sponge.

UPHOLSTERY CARE

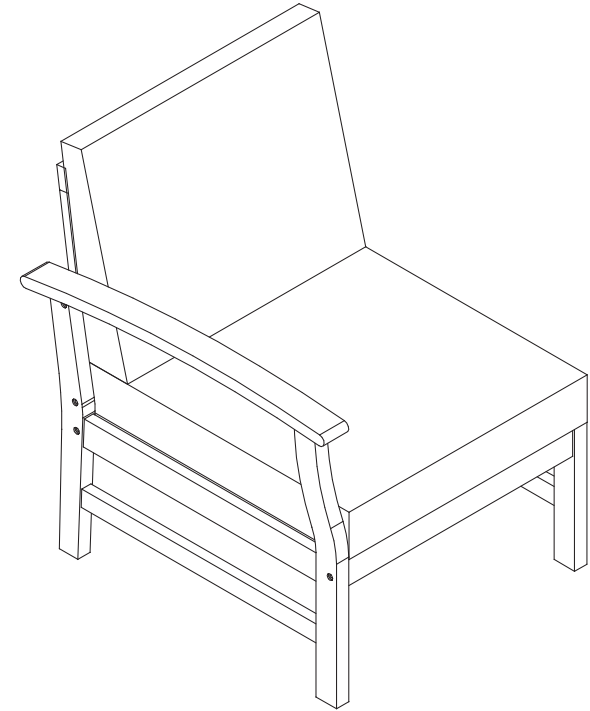
To prevent overall soiling, frequent vacuuming or light brushing is recommended. Cushions and pillows should be turned on a weekly basis.

Down-filled cushions should be brushed rather than vacuumed. Spot clean, using a mild water-free solvent or dry cleaning product. Only a professional cleaner should undertake a complete overall cleaning.

The use of steam or water-based cleaners may cause excessive shrinking or staining.

Owner Manual

Product Dimensions: 25.2" W x 29.1" D x 30.7" H




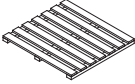


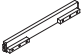
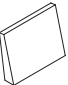
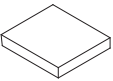


Weight Capacity : 200 lbs

Warning : Do not stand on chair

Warning : Do not over torque bolts / screws

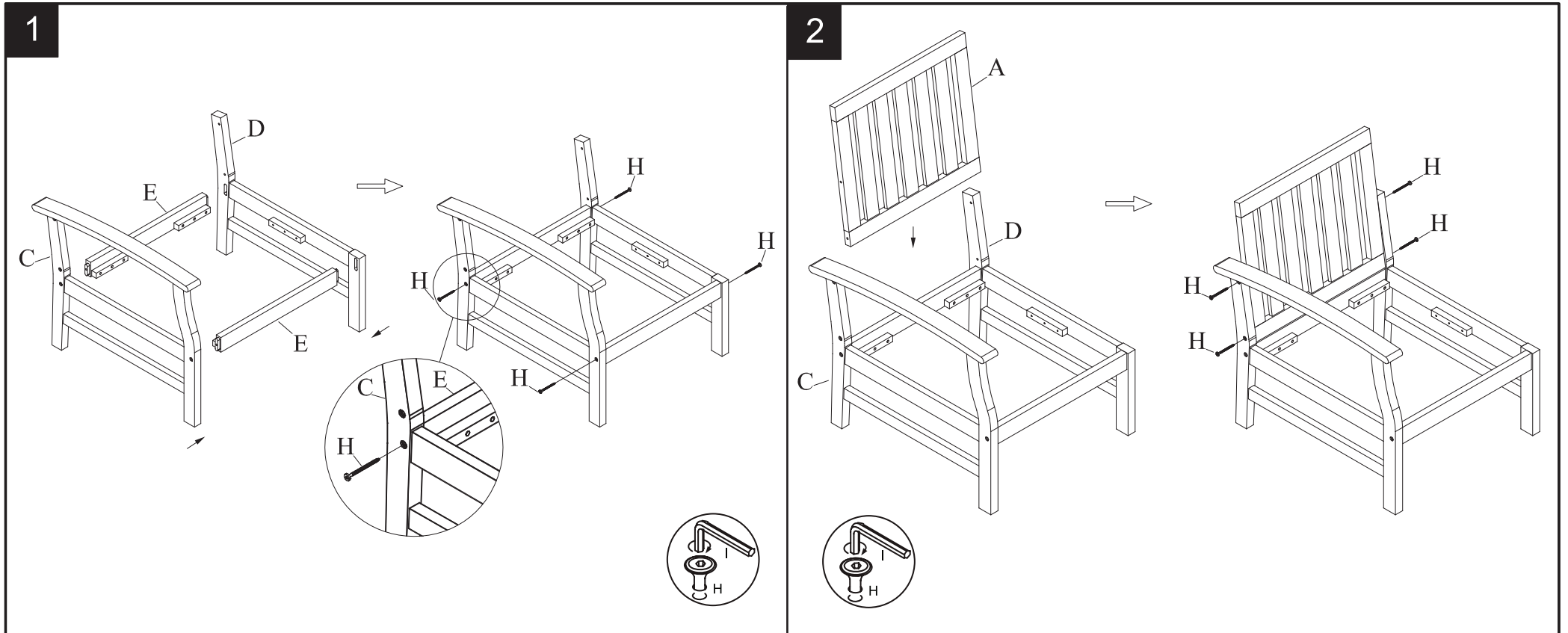


Part List and Hardware List

PIECE	DESCRIPTION	PICTURE	QUANTITY
A	Back Frame		1X
B	Seat Frame		1X
C	Right Leg Frame		1X
D	Left Leg Frame		1X
E	Font & Back Brace Bar		2X
F	Cushion Back		1X
G	Cushion Seat		1X
H	Screw	 M6 x 70	8X
I	Allen key	 LG4	2X

PREPARATION

- *Before beginning assembly of product, make sure all parts are present. Compare parts with package contents list and hardware contents list.
- *If any part is missing or damaged, do not attempt to assemble the product.
- * Estimated Assembly Time : 10 minutes.
- * Tools Required for Assembly (included): Allen Key
- * If you are having difficulty, our friendly Customer care team is always here to help.



Step 1

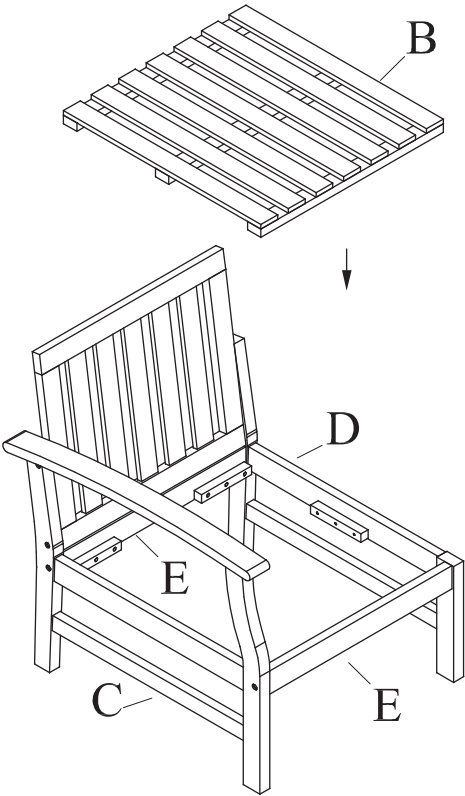

Attach Front & Back Brace Bar (E) to Right Leg Frame (C) and Left Leg Frame (D) by using Screw (H) tighten with Allen Key (I).

Step 2

Attach Back Frame (A) to Right Leg Frame (C) and Left Leg Frame (D) by using Screw (H) tighten with Allen Key (I).

PREPARATION

- *Before beginning assembly of product, make sure all parts are present. Compare parts with package contents list and hardware contents list.
- *If any part is missing or damaged, do not attempt to assemble the product.
- * Estimated Assembly Time : 10 minutes.
- * Tools Required for Assembly (included): Allen Key
- * If you are having difficulty, our friendly Customer care team is always here to help.

<p>3</p> 	<p>4</p> 
<p>Step 3</p> <p>Attach Seat Frame (B) to Front & Back Brace Bar (E), Right Leg Frame (C) and Left Leg Frame (D).</p>	<p>Step 4</p> <p>Note: This is an optional step in case you want to connect the Right Arm Chair, Left Arm Chair and Armless Chair. It should be done before securing Cushions.</p>

PREPARATION

- *Before beginning assembly of product, make sure all parts are present. Compare parts with package contents list and hardware contents list.
- *If any part is missing or damaged, do not attempt to assemble the product.
- * Estimated Assembly Time : 10 minutes.
- * Tools Required for Assembly (included): Allen Key
- * If you are having difficulty, our friendly Customer care team is always here to help.

