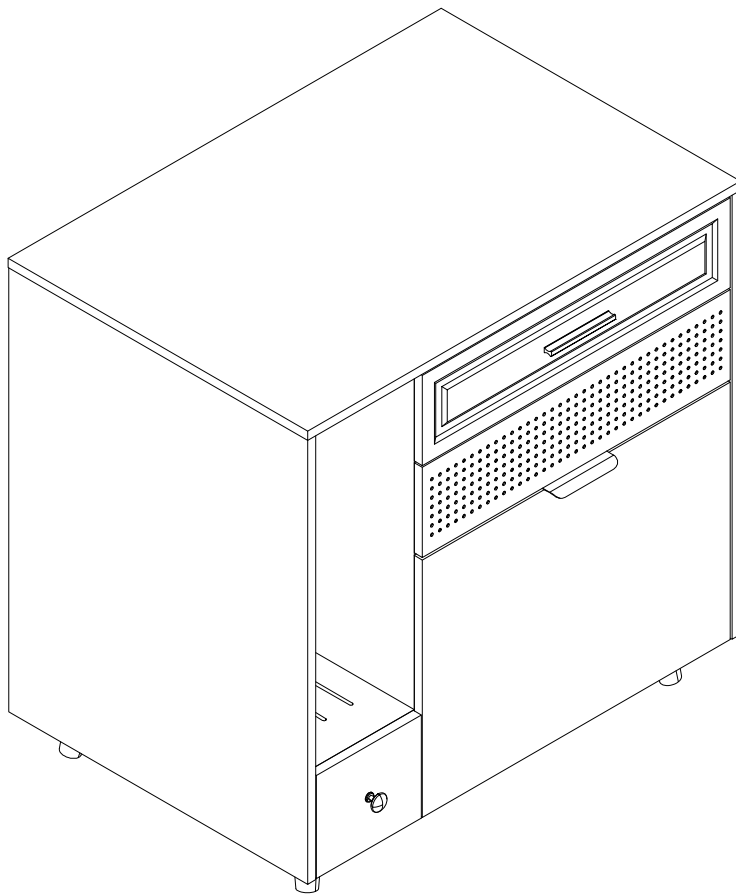


Hall Tree

Assembly Instructions - Please keep for future reference

N704P287849D



Important-Please read these instructions fully before starting assembly

Safety and Care Advice

Important – Please read these instructions fully before starting assembly

- Check you have all the components and tools listed on the following pages.
- Remove all fittings from the plastic bags and separate them
- Keep children and pets away from the installation area, which may cause choking if small parts are swallowed.
- Make sure you have enough space to layout the parts before

- Do not stand or apply weight to the product during assembly. This may cause damage.
- Assemble the item as close to its final position (in the same room) as possible.
- Assemble on a soft level surface to avoid damage to the unit or floor.
- It's easier for two people to assemble the parts together.



- To reduce the likelihood of damage to your product, make sure your power drill is set to a low torque setting.

Care and maintenance

- Only clean using a damp cloth and mild detergent, do not use bleach or abrasive cleaners.
- Check for loose screws on this unit from time to time.
- This product should not be discarded with household waste. Take to your local authority waste disposal centre.

Handy Hints

- Assemble all parts and bolts loosely during assembly, only once the product is complete should you fully tighten the bolts
- Regularly check and ensure that all bolts and fittings are correctly tightened.

WARNING In order to help prevent overturning – please follow these instructions

To help prevent product toppling over please follow the below steps:-

Use the anti tip strap or wall fixing method provided (if applicable)
Do not allow children to climb or hang on the furniture
Do not open more than one drawer at a time
Do not place heavy items in the top drawers
Do not place heavy items on top of the furniture, unless the furniture has been designed for this purpose

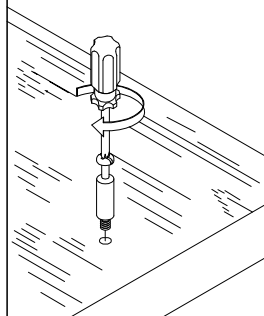
please note that only the anti tip strap is provided.
You will need to provide wall plugs and screws applicable for your wall type

Using Camlocks

Step 1

Connect the male camlock as directed in the assembly instructions using a screwdriver.

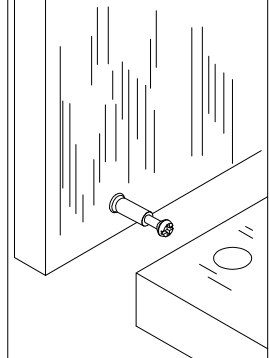
1 DO NOT OVER TIGHTEN.



Step 2

Push the male camlock into the entry hole.

2

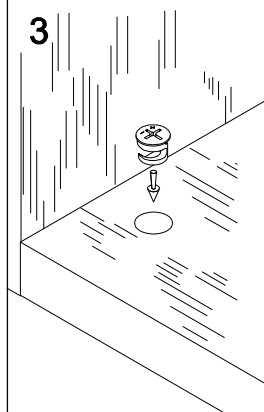


Step 3

Insert the female camlock as shown in the instruction.

Note: ensure that the arrow on the top of the camlock points towards the entry hole for the male camlock.

3



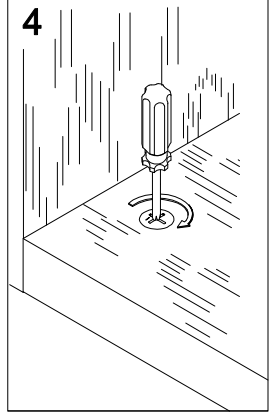
Step 4

Turn the female camlock clockwise with a screwdriver.

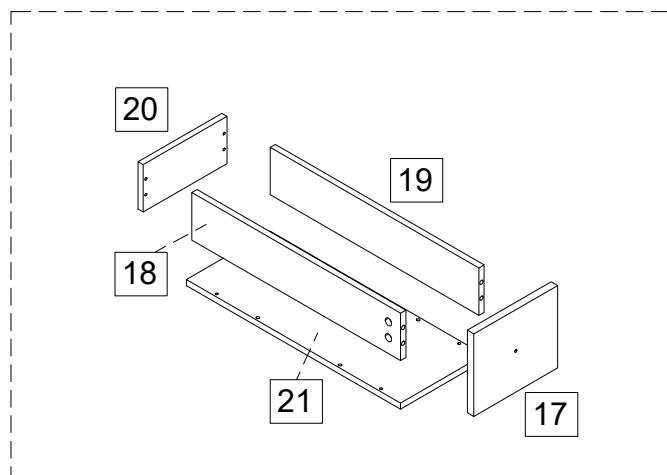
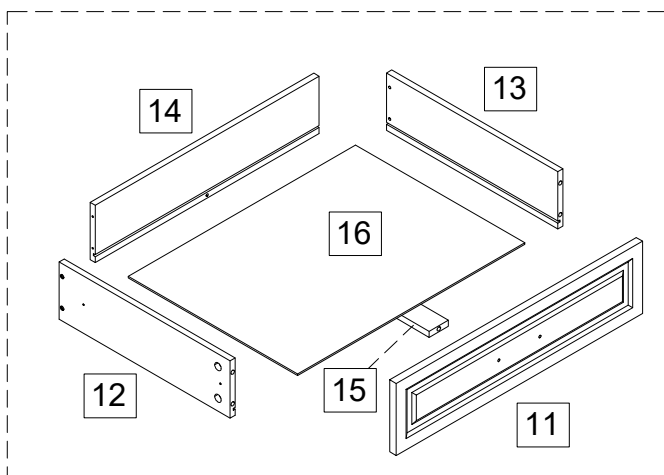
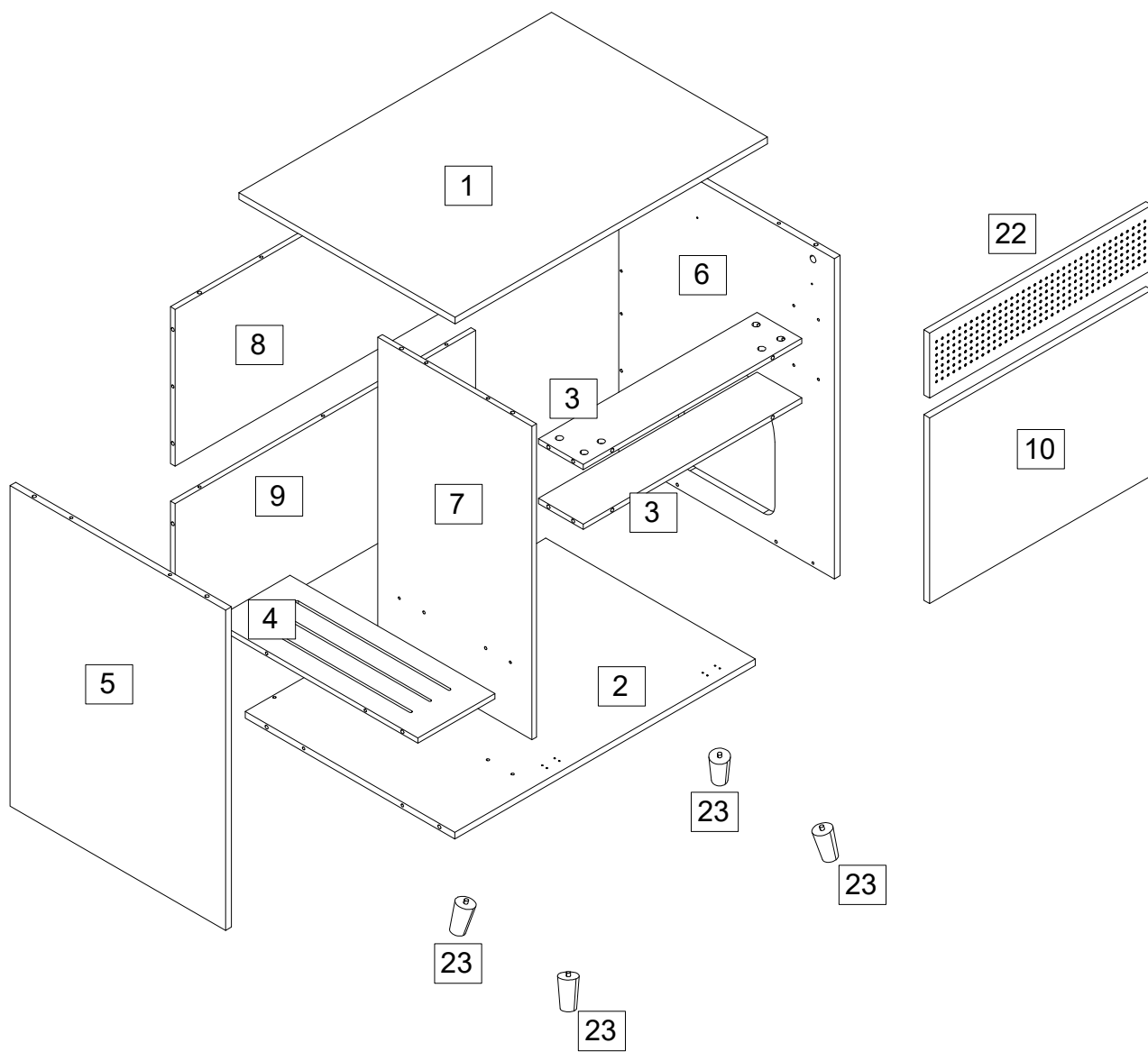
You should feel a click when the camlock is locked in place.

The joint is now secure.

4

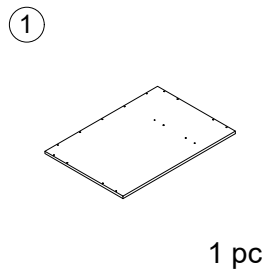
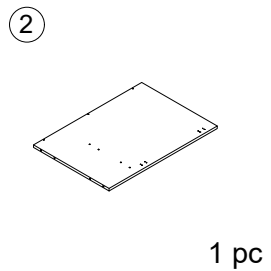
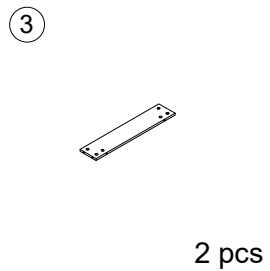
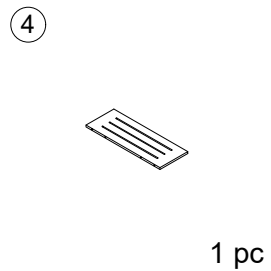
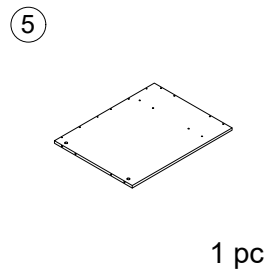
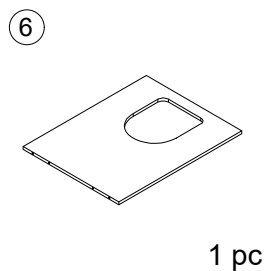
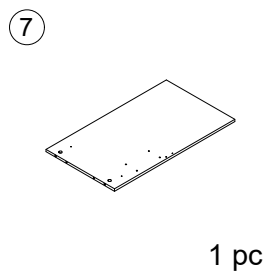
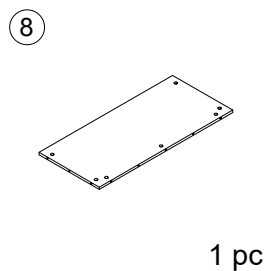
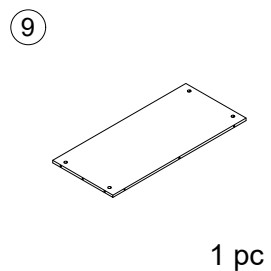
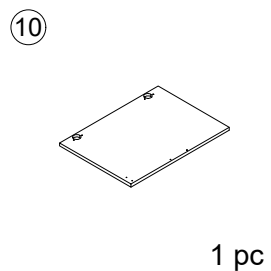
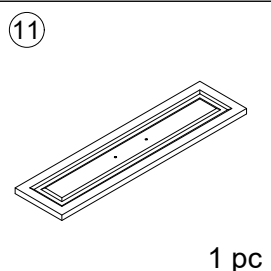
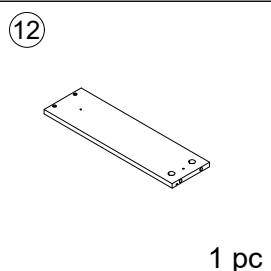
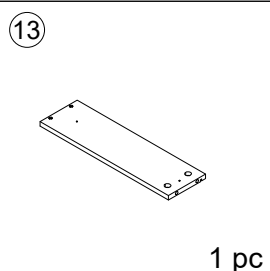
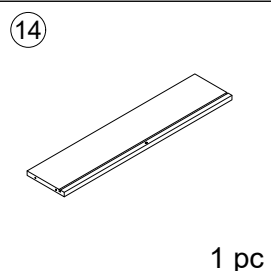
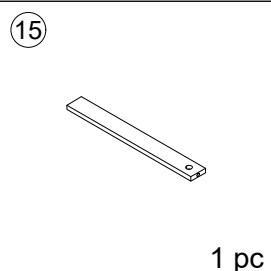
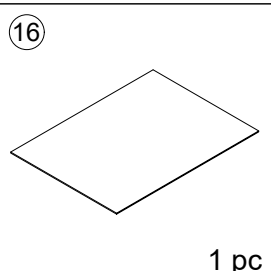
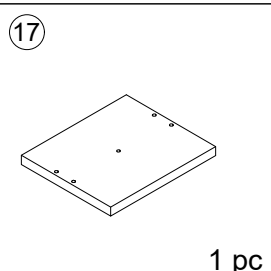
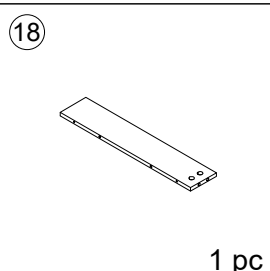
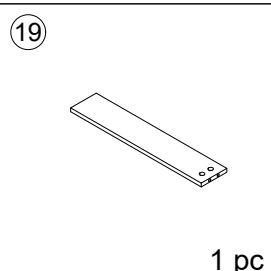
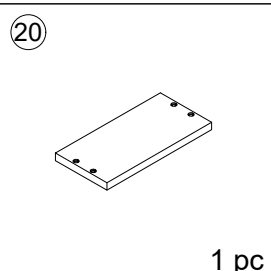
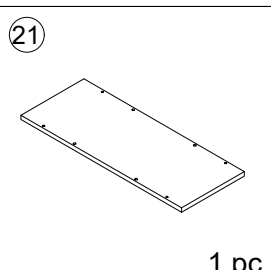
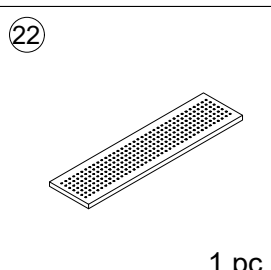
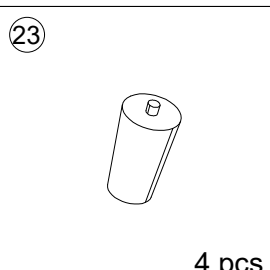


Assembly Instructions

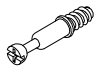

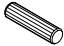
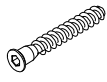

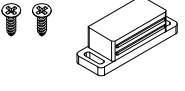
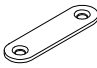
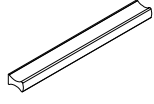

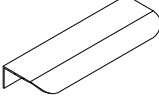
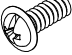
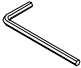

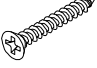
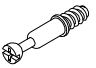




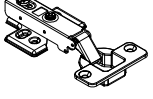


Part List

Hardware list/N704P287849D

 <p>1</p> <p>1 pc</p>	 <p>2</p> <p>1 pc</p>	 <p>3</p> <p>2 pcs</p>	 <p>4</p> <p>1 pc</p>	 <p>5</p> <p>1 pc</p>
 <p>6</p> <p>1 pc</p>	 <p>7</p> <p>1 pc</p>	 <p>8</p> <p>1 pc</p>	 <p>9</p> <p>1 pc</p>	 <p>10</p> <p>1 pc</p>
 <p>11</p> <p>1 pc</p>	 <p>12</p> <p>1 pc</p>	 <p>13</p> <p>1 pc</p>	 <p>14</p> <p>1 pc</p>	 <p>15</p> <p>1 pc</p>
 <p>16</p> <p>1 pc</p>	 <p>17</p> <p>1 pc</p>	 <p>18</p> <p>1 pc</p>	 <p>19</p> <p>1 pc</p>	 <p>20</p> <p>1 pc</p>
 <p>21</p> <p>1 pc</p>	 <p>22</p> <p>1 pc</p>	 <p>23</p> <p>4 pcs</p>		

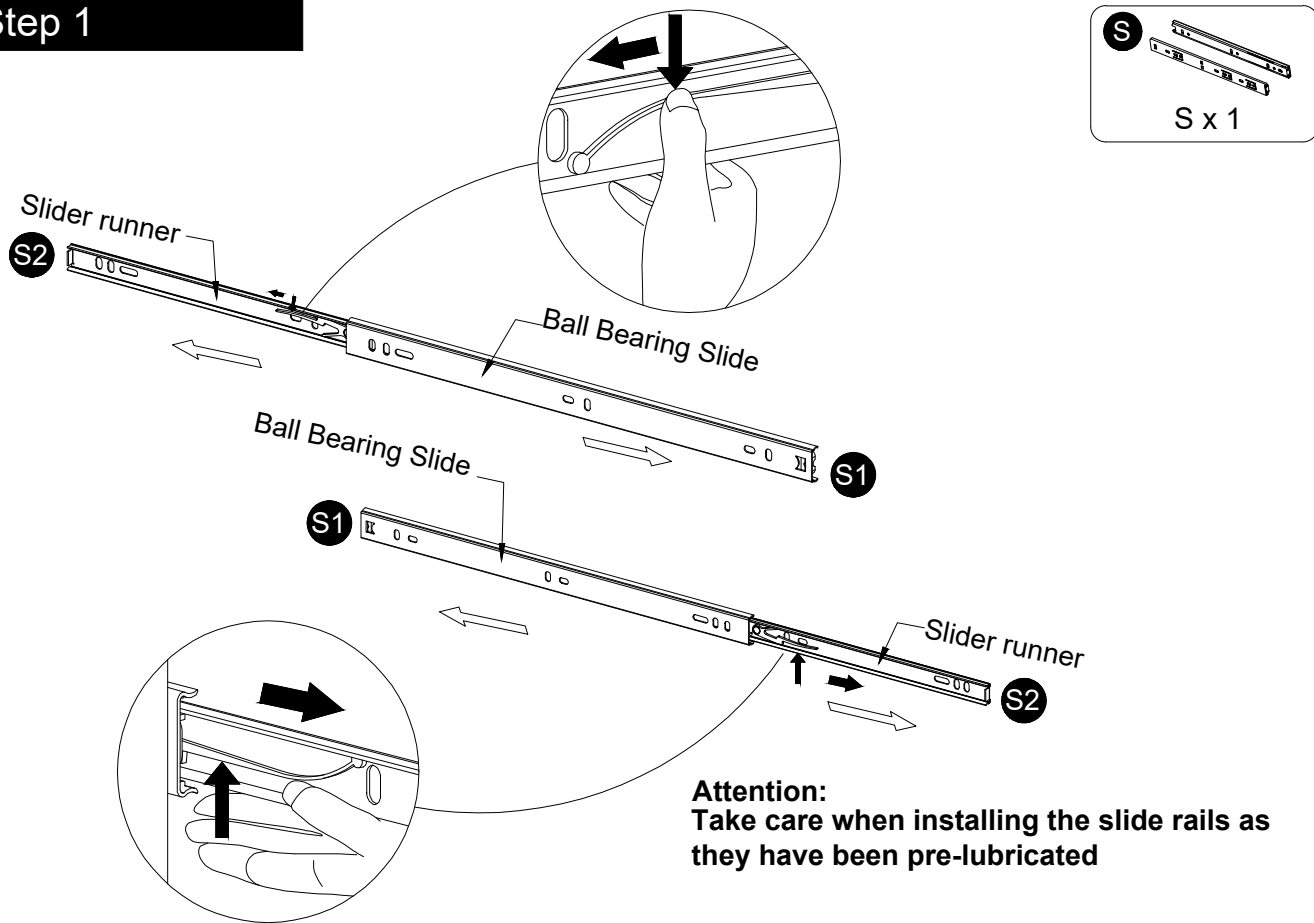
Hardware list

<p>A </p> <p>Male Camlock x 42</p>	<p>B </p> <p>Female Camlock x 46</p>	<p>C </p> <p>Dowel x 29</p>
<p>D </p> <p>5*38mm Screw x 9</p>	<p>E </p> <p>3.5*14mm Screw x 44</p>	<p>F </p> <p>x 1</p>
<p>G </p> <p>x 1</p>	<p>H </p> <p>Handle x 1</p>	<p>I </p> <p>Handle x 1</p>
<p>J </p> <p>Handle x 1</p>	<p>K </p> <p>4*18mm Screw x 3</p>	<p>L </p> <p>Hex Key M3 x 1</p>
<p>M </p> <p>x4</p>	<p>N </p> <p>4*35mm Screw x 9</p>	<p>O </p> <p>Male Camlock x 4</p>
<p>P </p> <p>Ribbon x 2</p>	<p>Q </p> <p>4*40mm Screw x 2</p>	<p>R </p> <p>3.5*14mm Screw x 2</p>
<p>S </p> <p>Drawer slider 12" x 1</p>	<p>T </p> <p>x 2</p>	

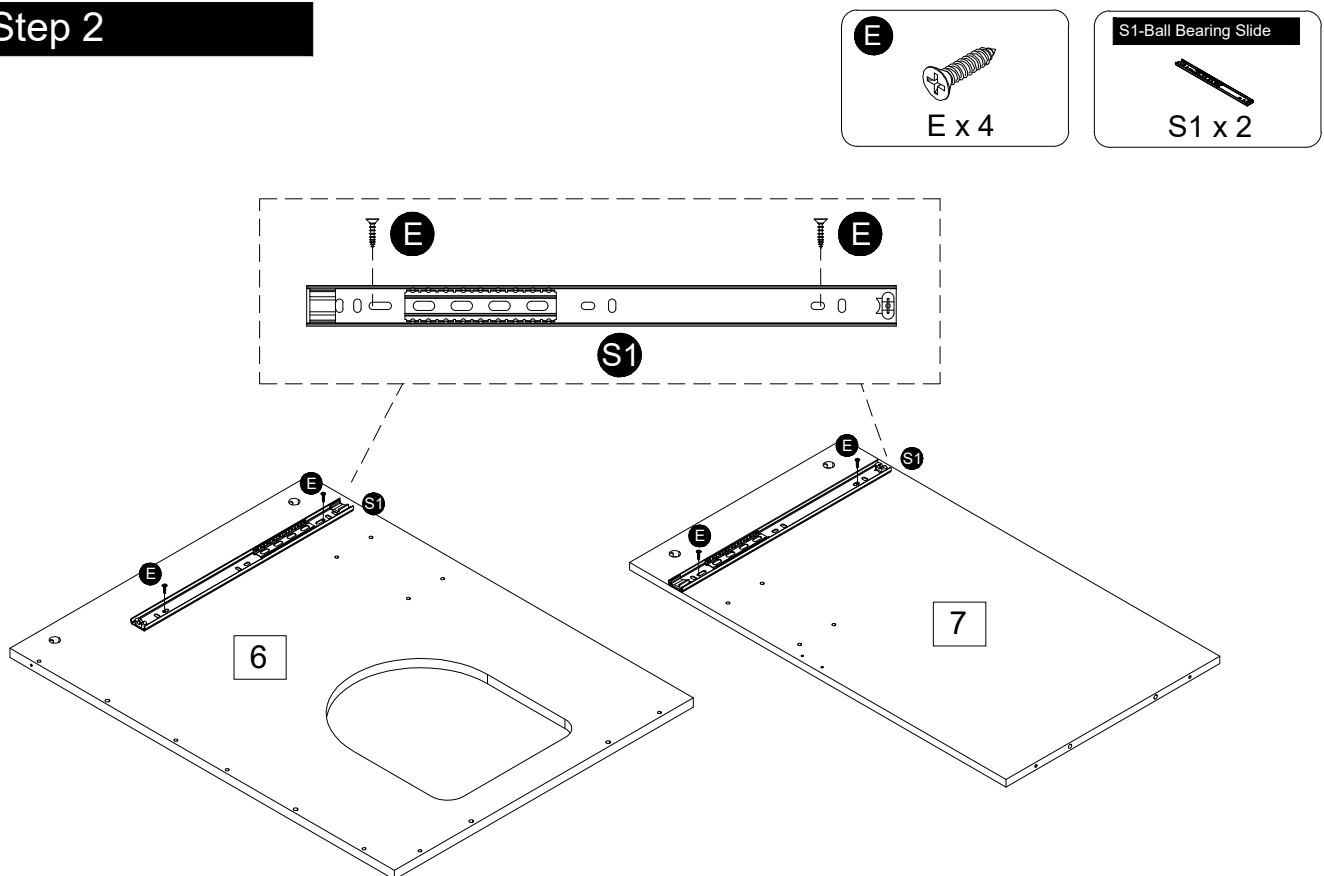
Assembly Tools Required (Not Included)

Assembly Instructions

Step 1

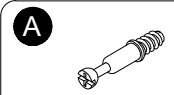
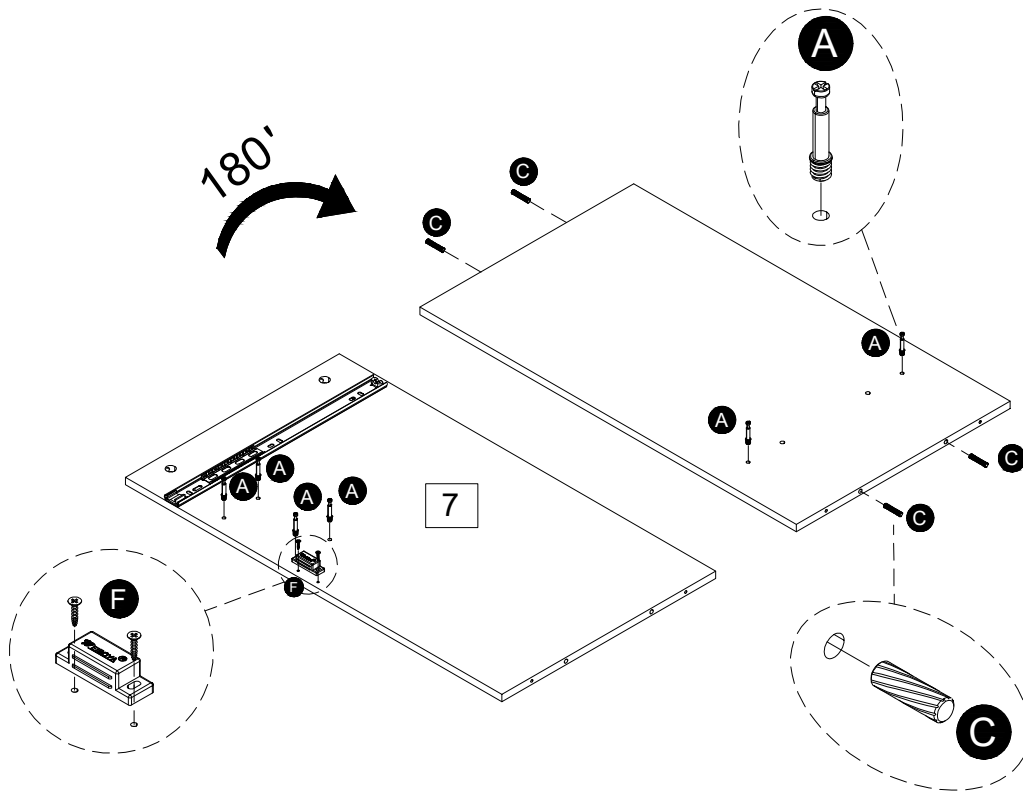


Step 2

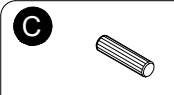


Assembly Instructions

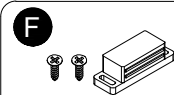
Step 3



A x 6

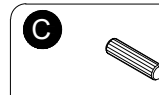
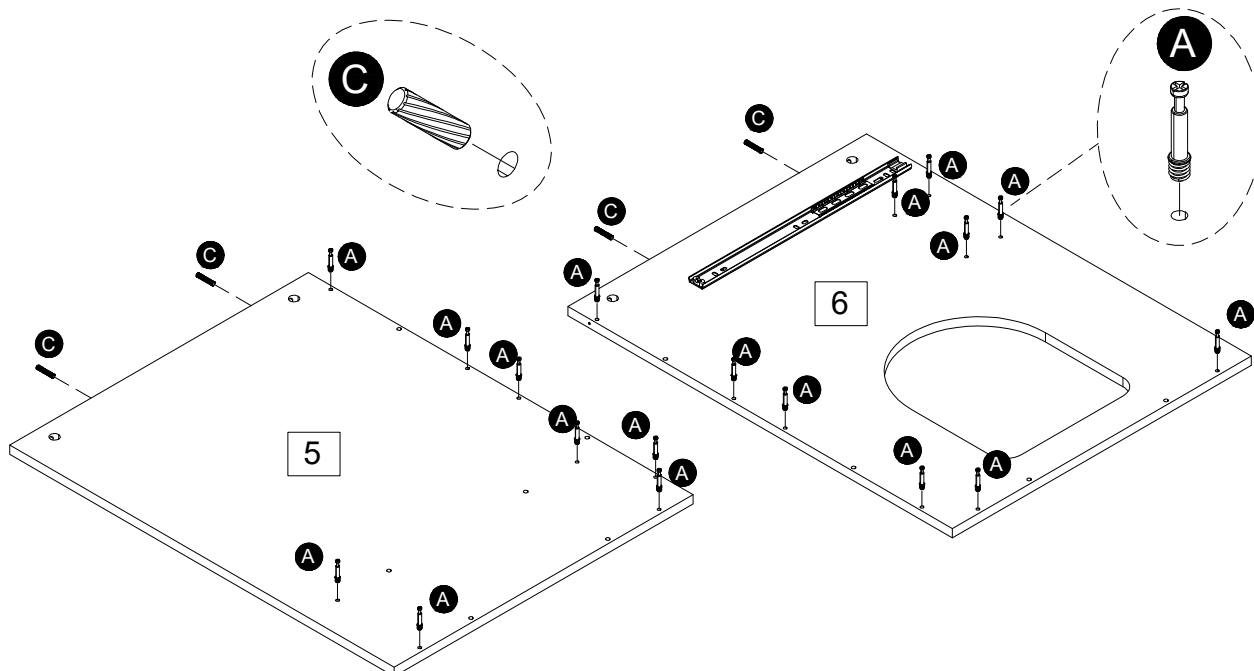


C x 4

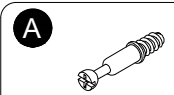


F x 1

Step 4



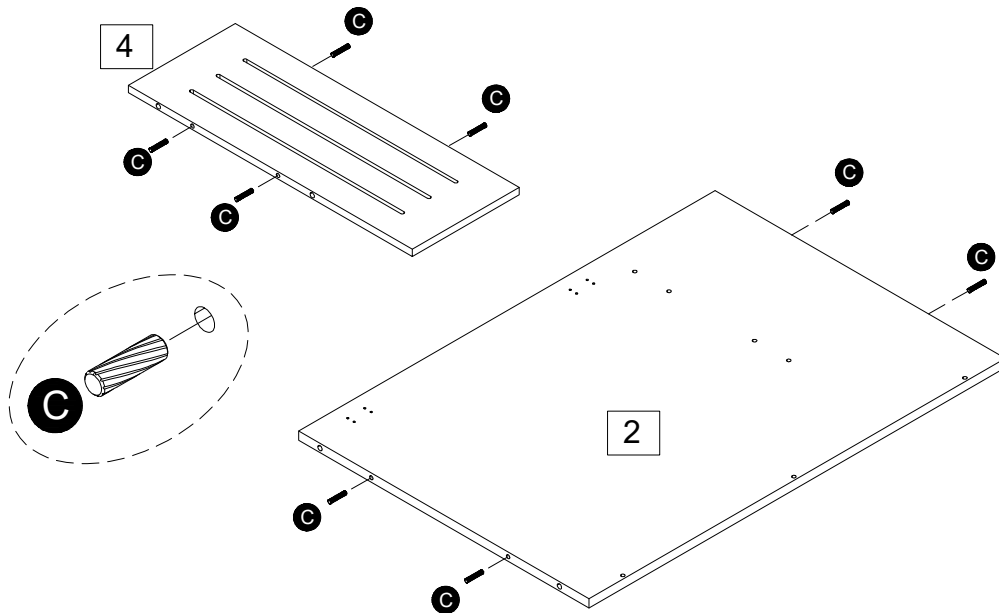
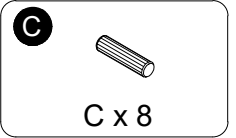
C x 4



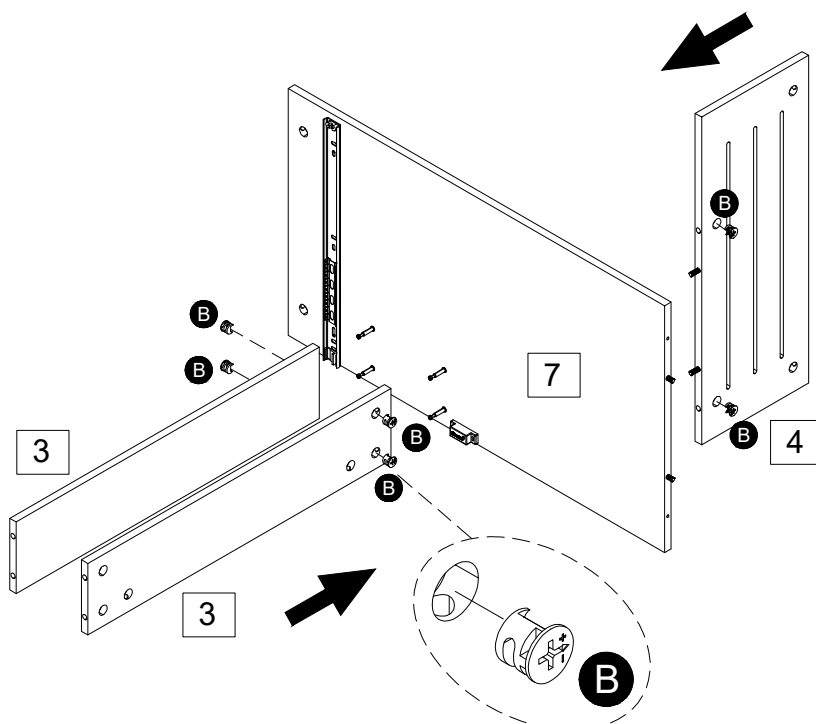
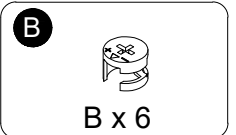
A x 18

Assembly Instructions

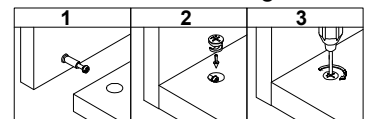
Step 5



Step 6

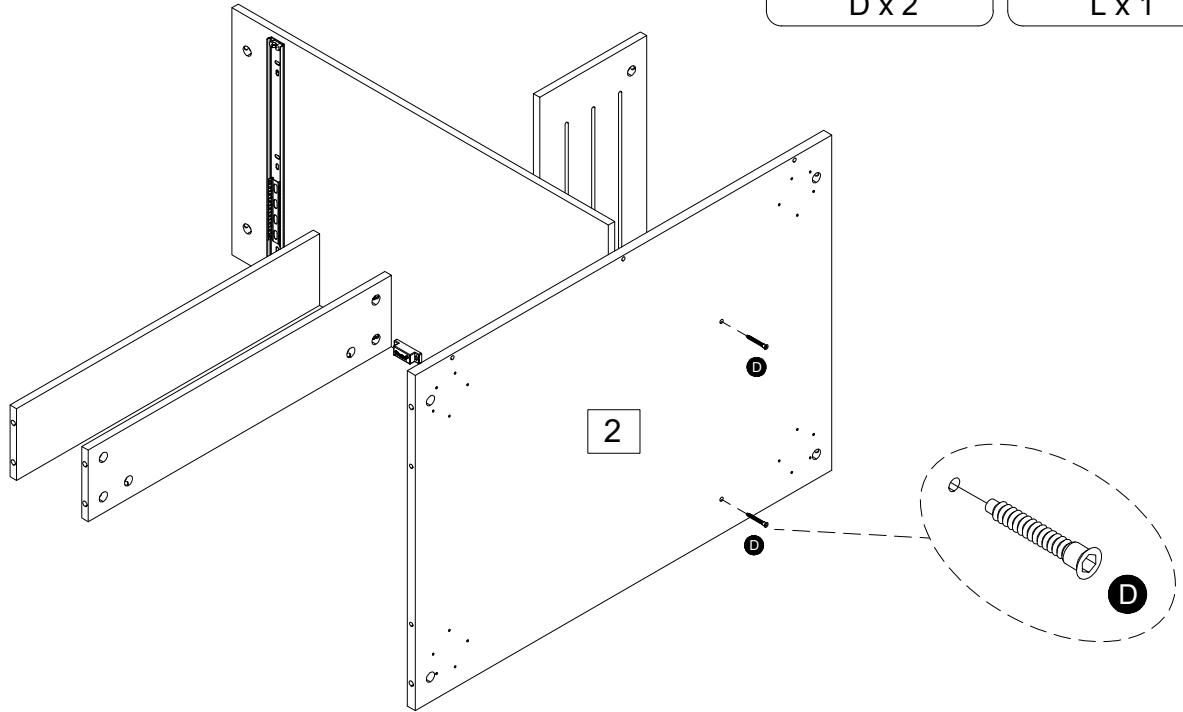


"Need to rotate and tighten B"

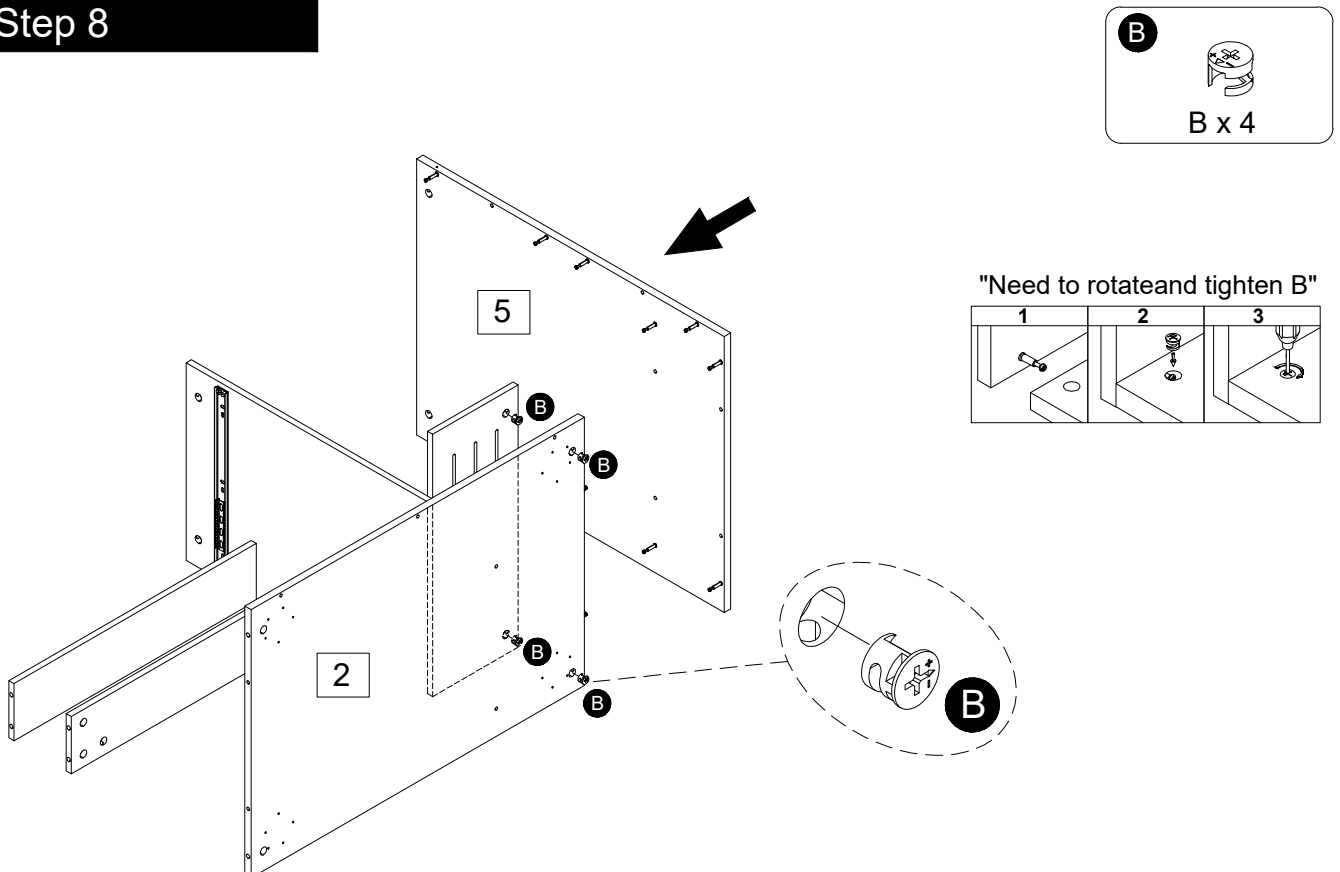


Assembly Instructions

Step 7

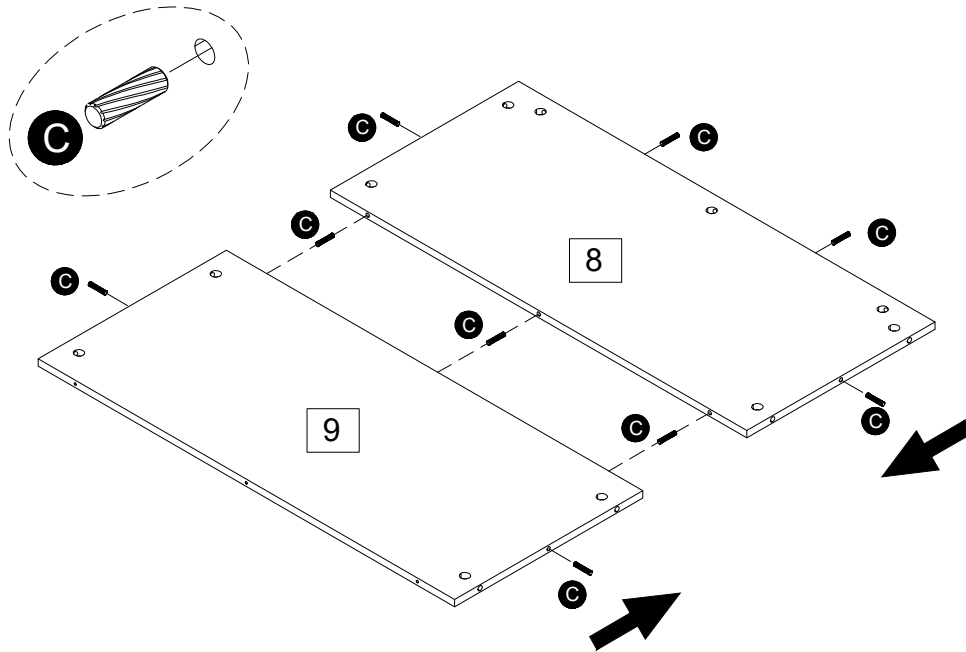
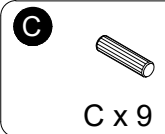


Step 8

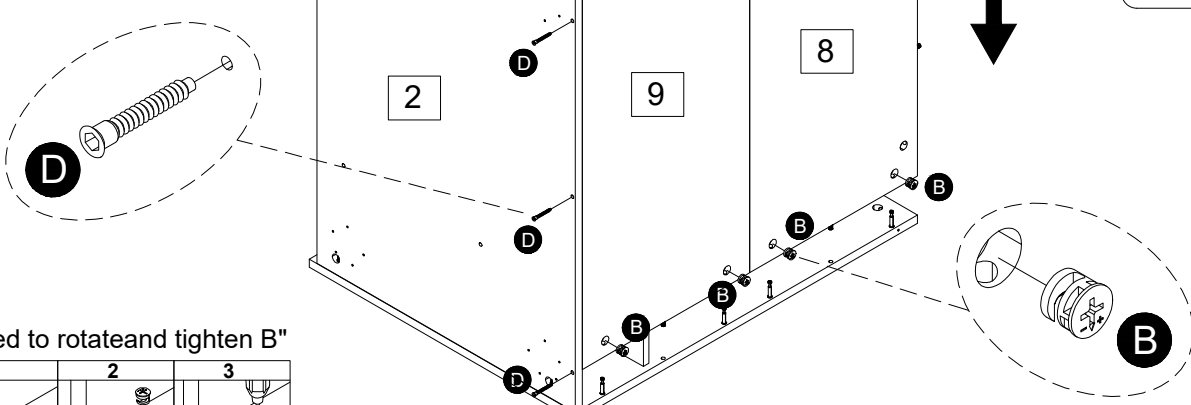
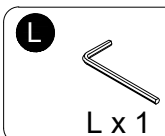
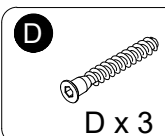
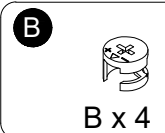


Assembly Instructions

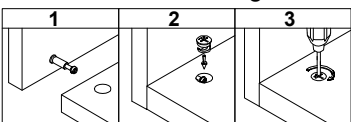
Step 9



Step 10

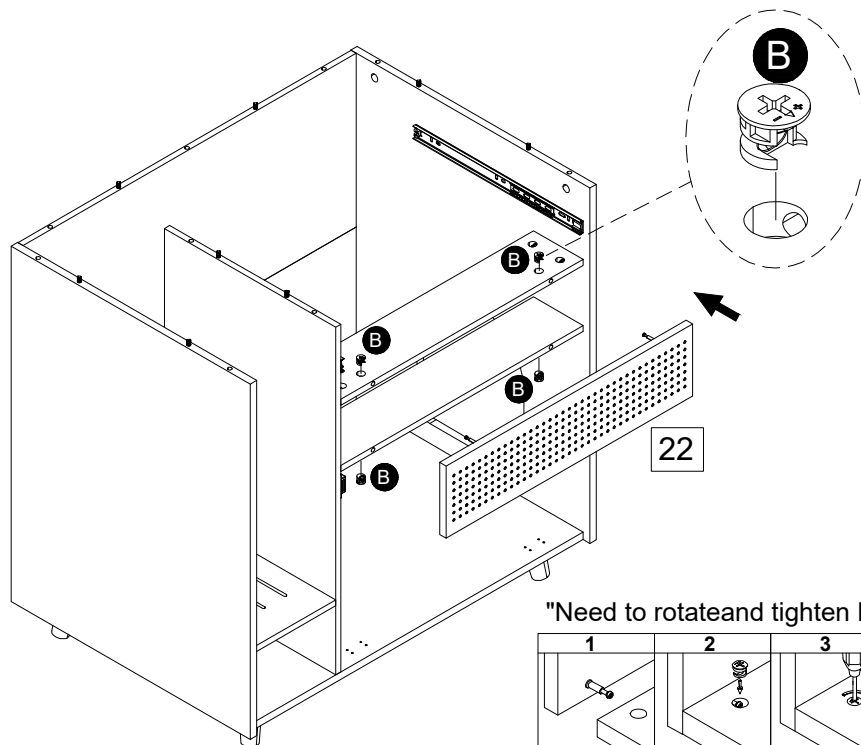
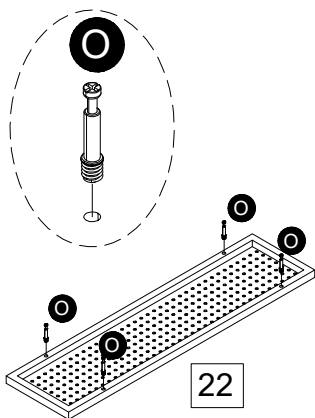
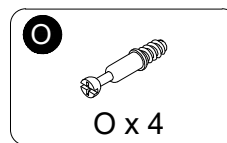


"Need to rotate and tighten B"

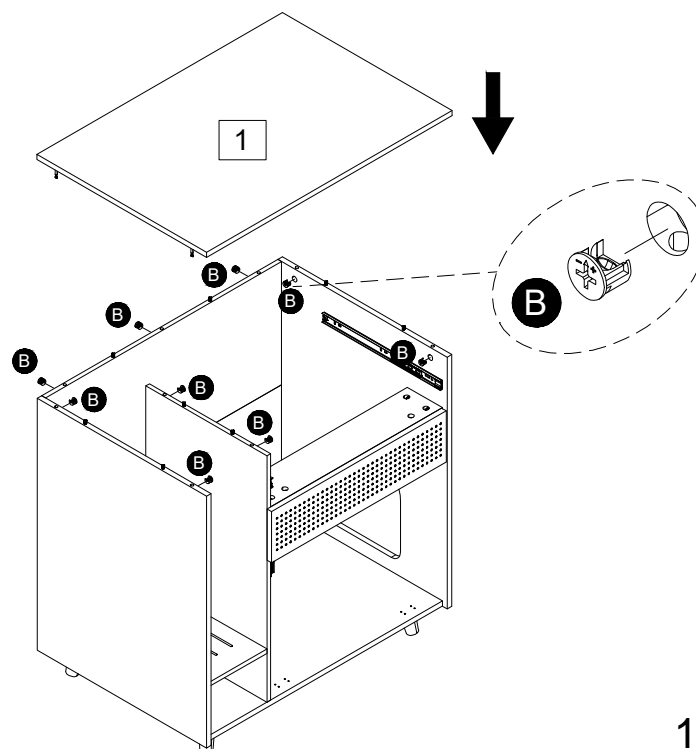
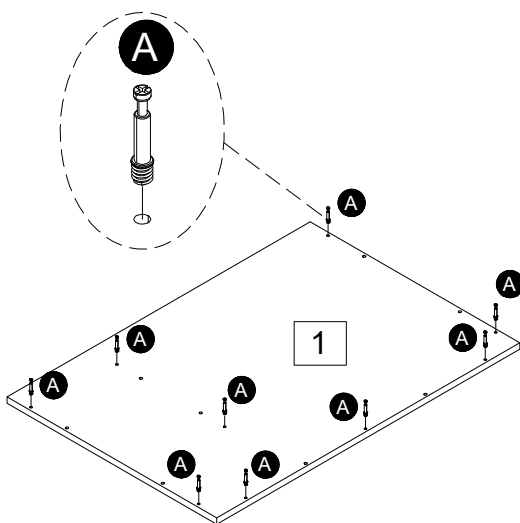
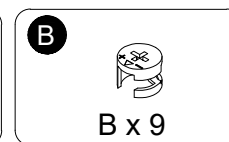
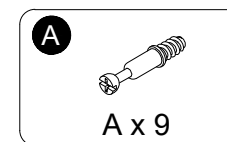


Assembly Instructions

Step 13

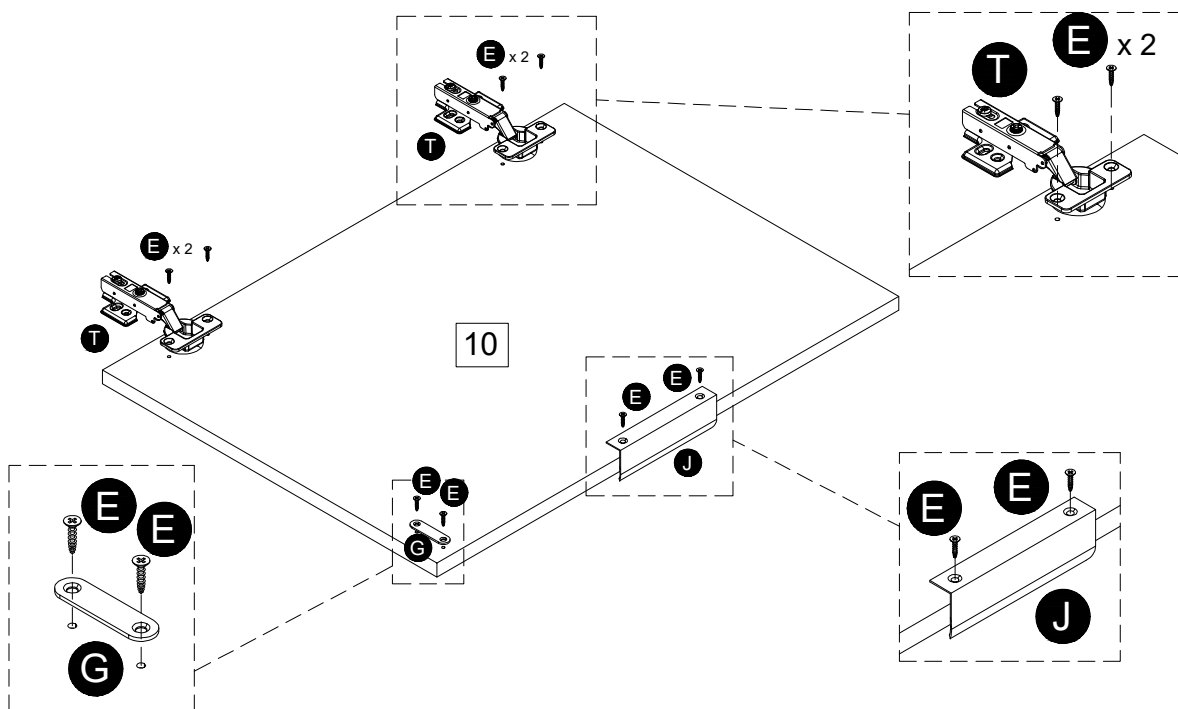
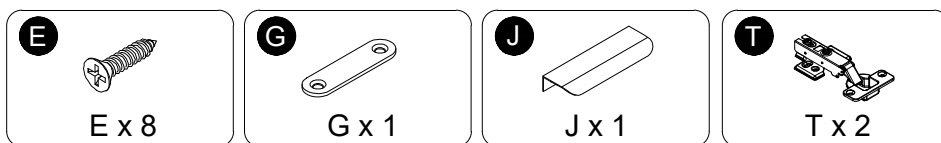


Step 14

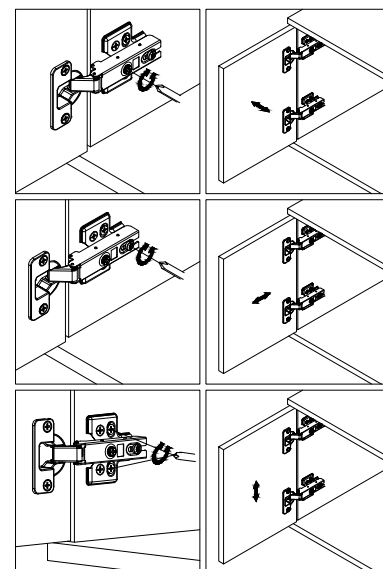
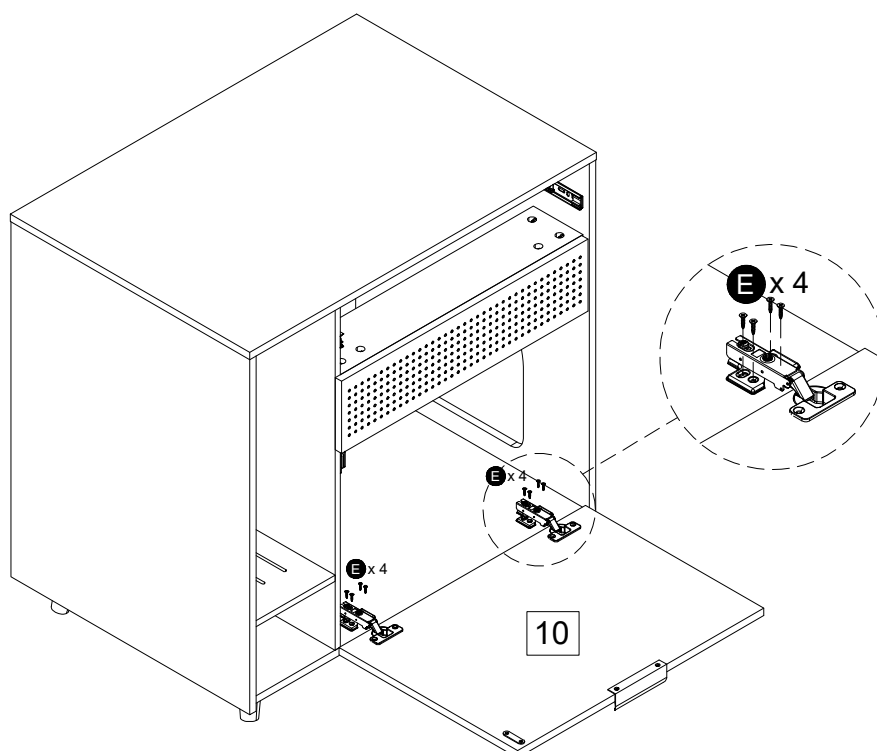
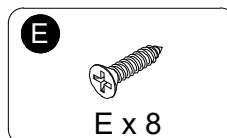


Assembly Instructions

Step 15

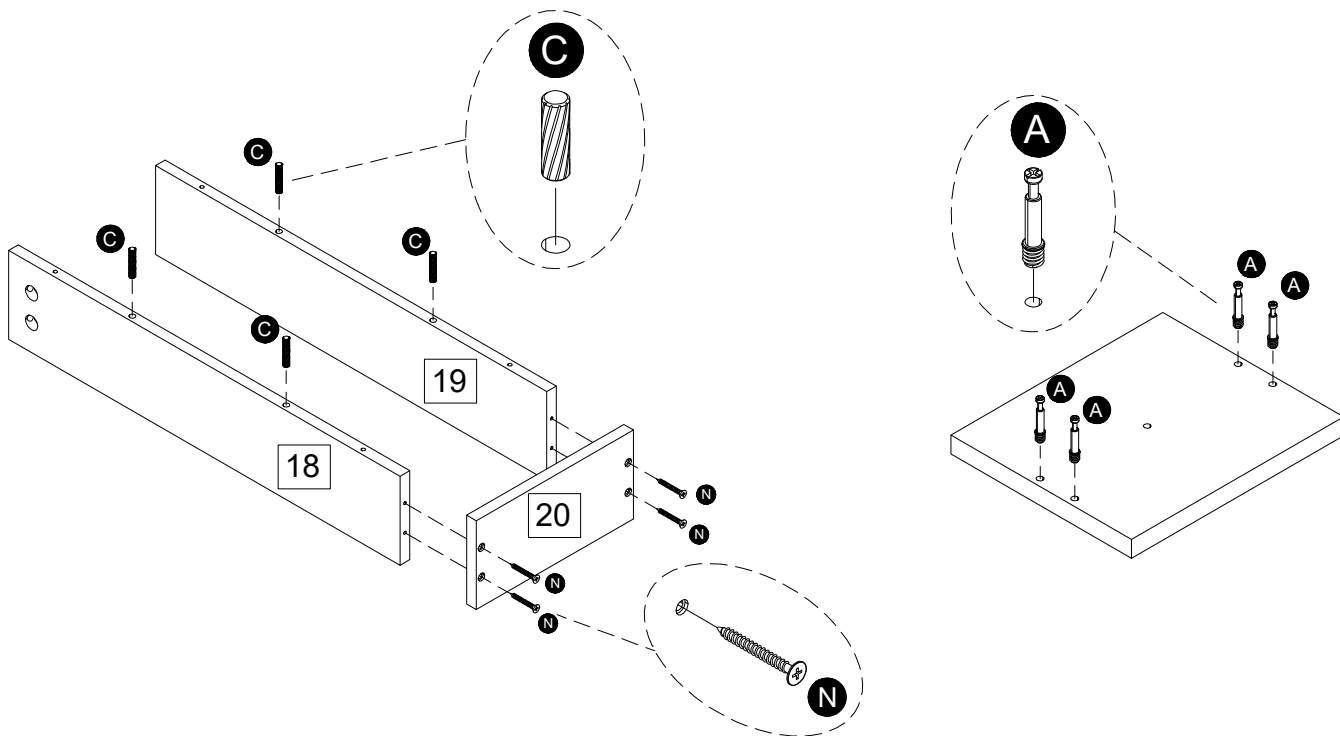
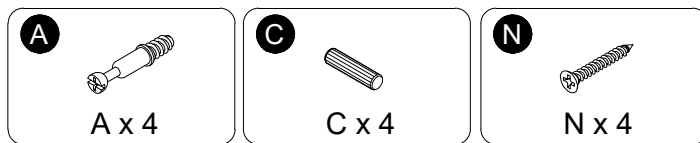


Step 16

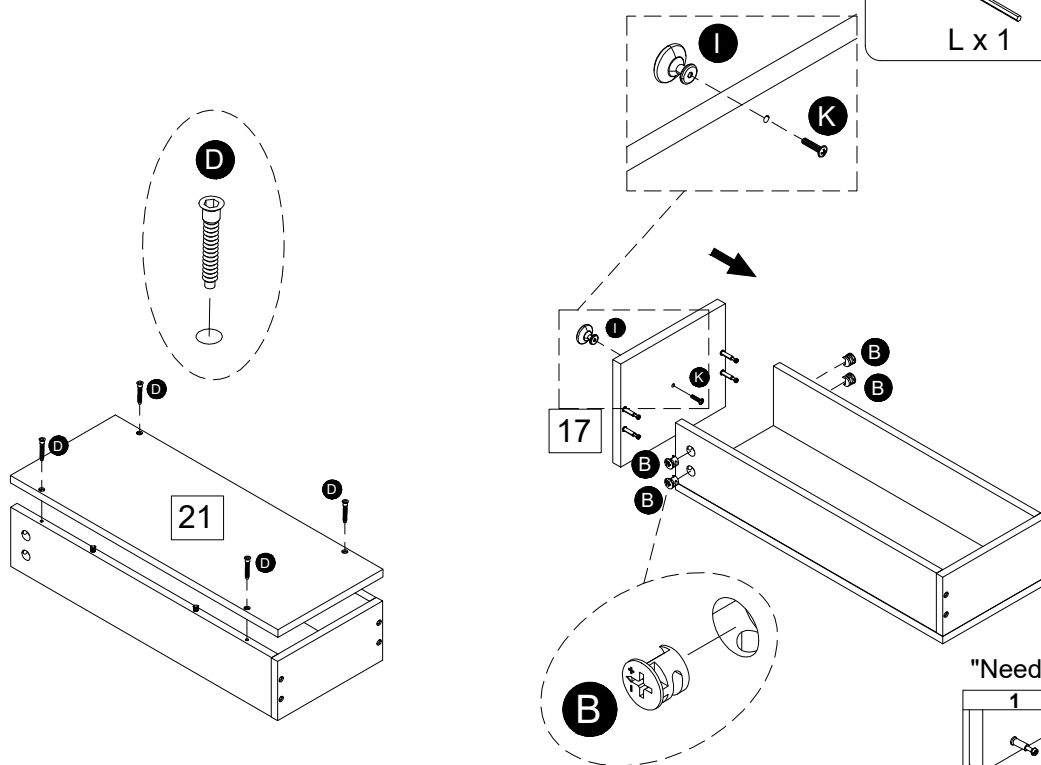
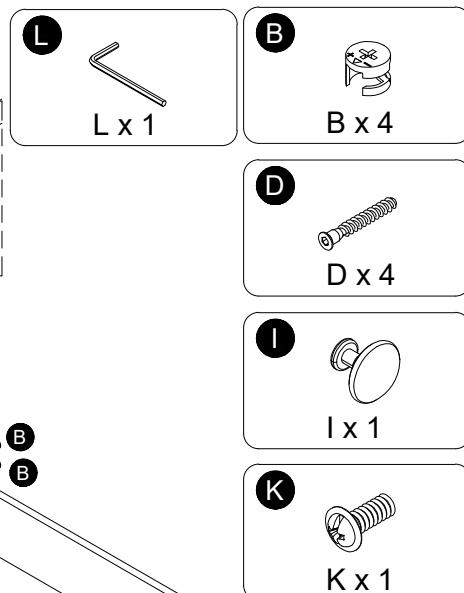


Assembly Instructions

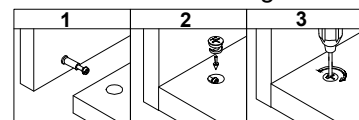
Step 17



Step 18

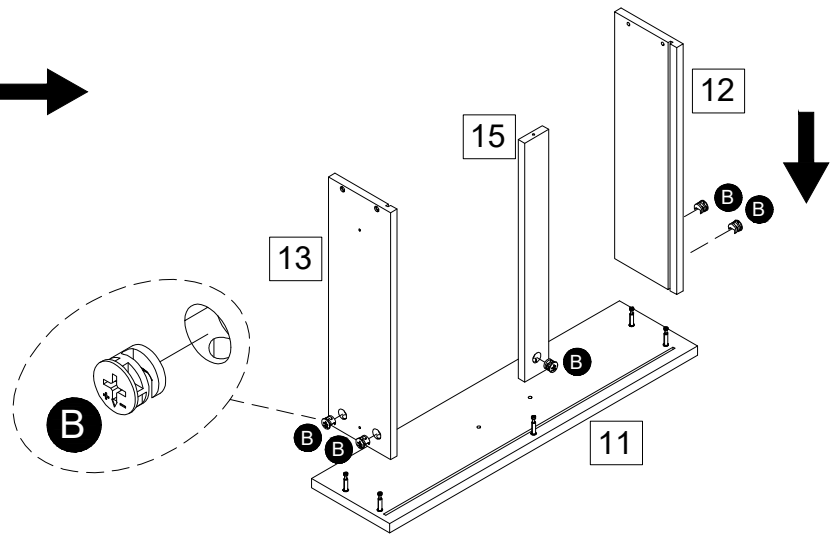
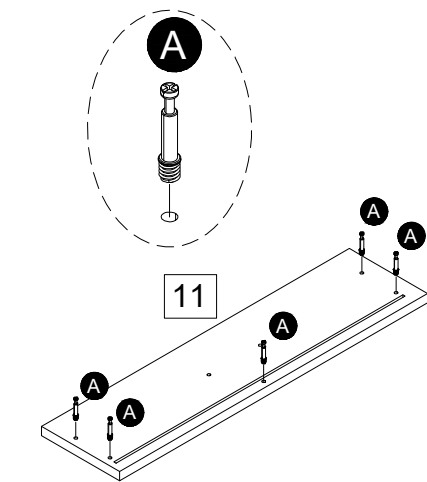
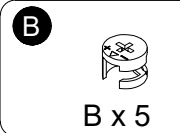
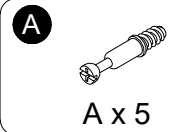


"Need to rotate and tighten B"

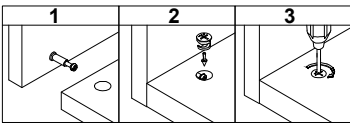


Assembly Instructions

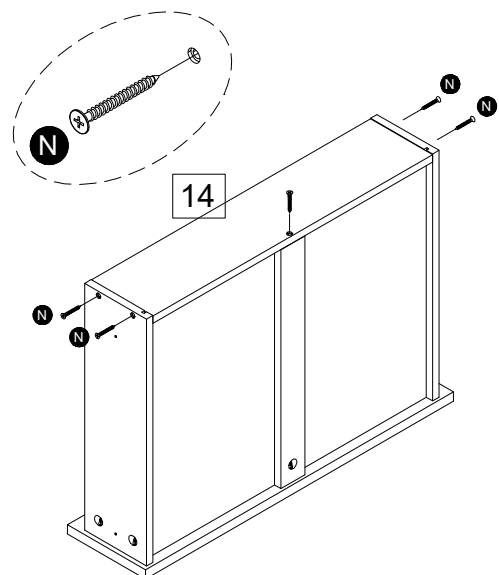
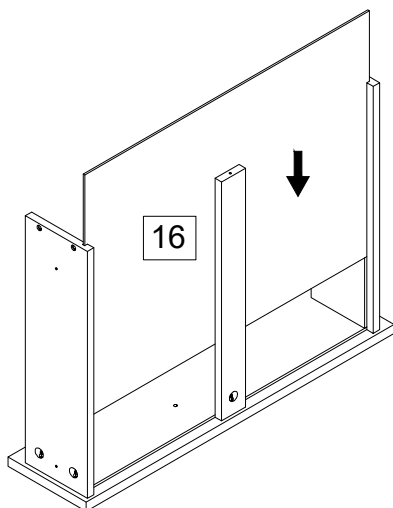
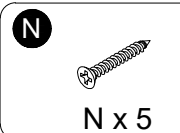
Step 19



"Need to rotate and tighten B"

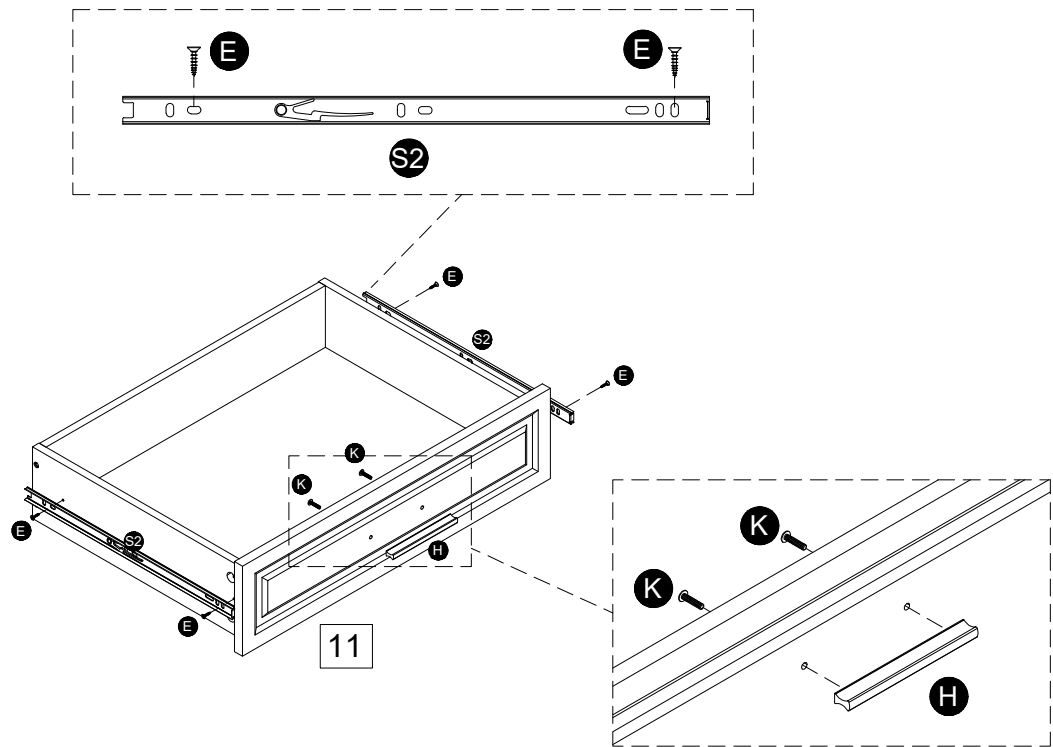
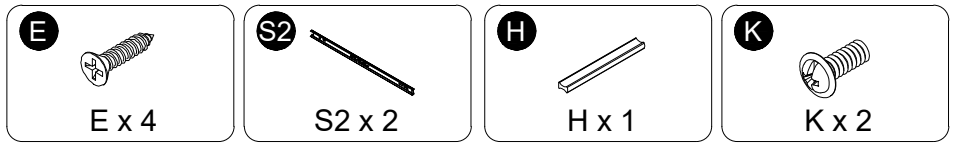


Step 20

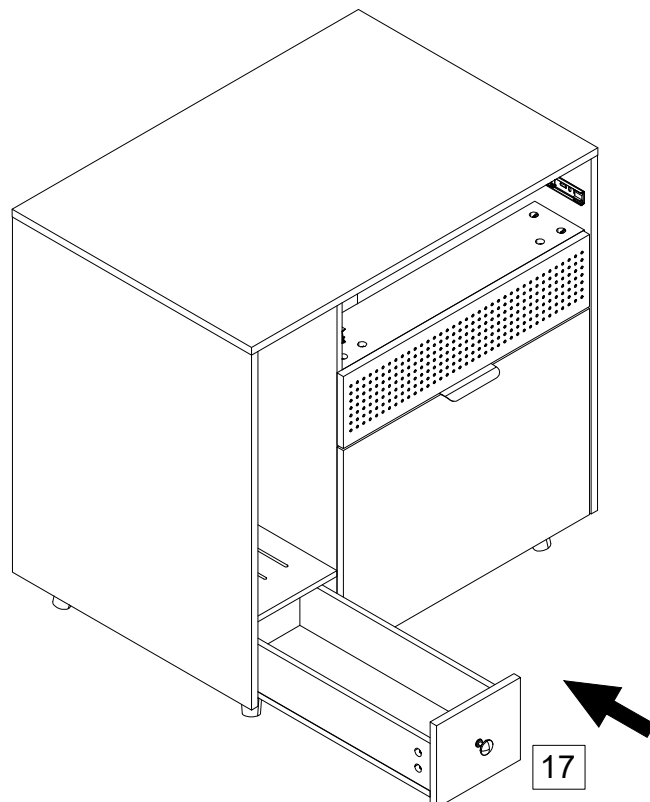


Assembly Instructions

Step 21



Step 22



Assembly Instructions

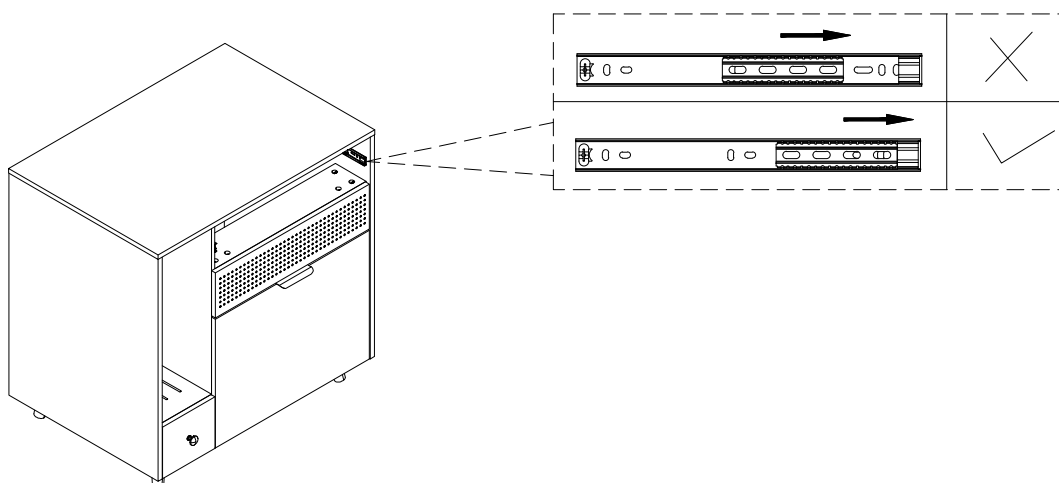
Step 23

1. Check Before Installing: Ensure the rails are secure and ball bearings are in place.

1. Vérifier avant l'installation: s'assurer que les rails sont sécurisés et que les roulements à billes sont en place.

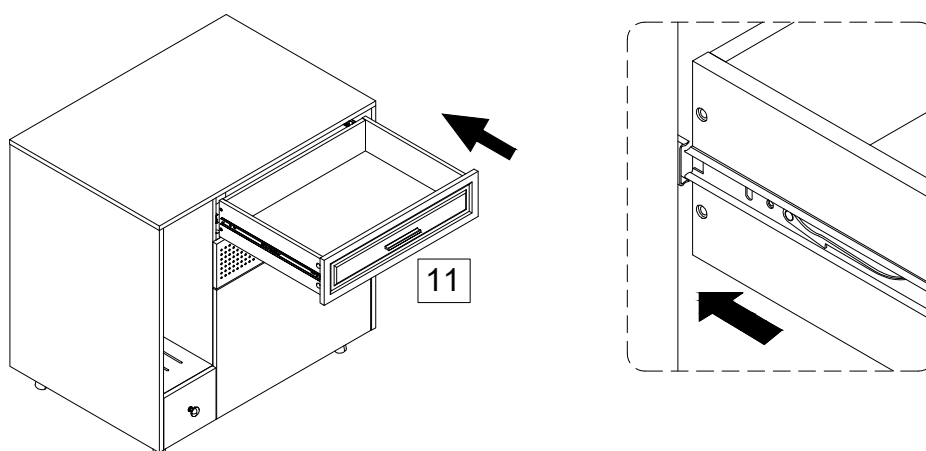
2. Prepare: Slide the ball bearings to the front of the rails before closing.

2. Préparer: faites glisser les roulements à billes à l'avant des rails avant de les fermer.



3. Align & Insert: Line up the drawer rails with the main slides and insert both sides at once.

Aligner et insérer: aligner les rails du tiroir avec les glissières principales et insérer les deux côtés à la fois.

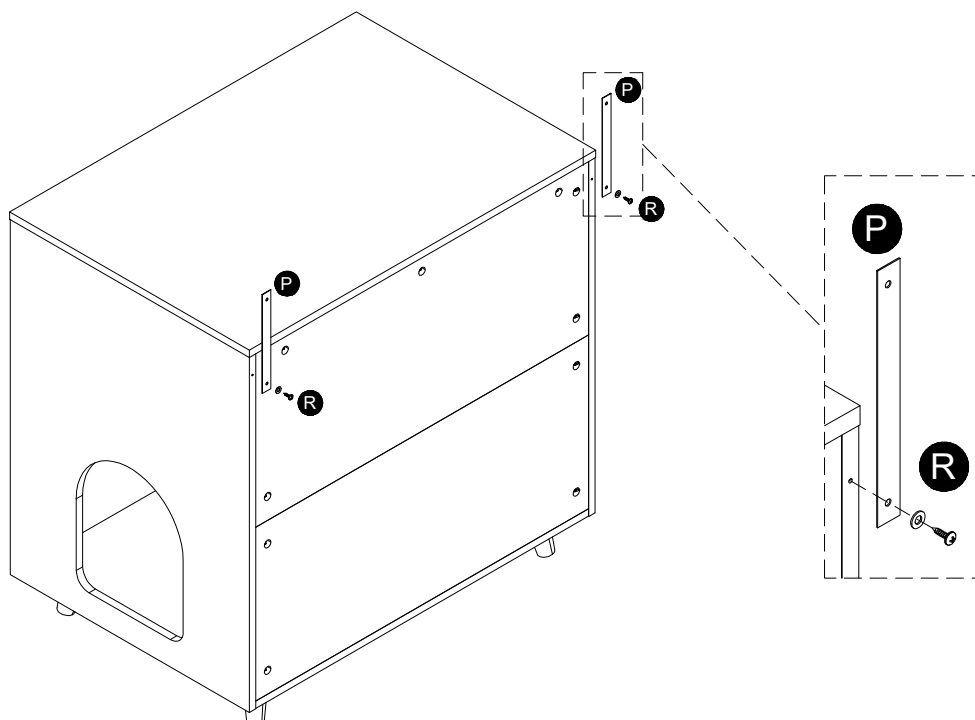
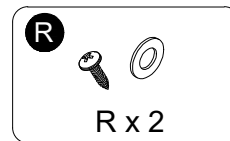
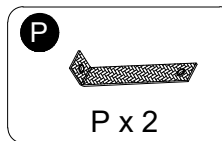


4. Fit: Open and close the drawer slowly three times to align and seat the ball bearings.

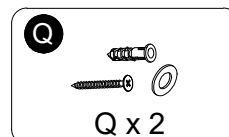
4. Ajustement: ouvrir et fermer le tiroir lentement trois fois pour aligner et asseoir les roulements à billes.

Assembly Instructions

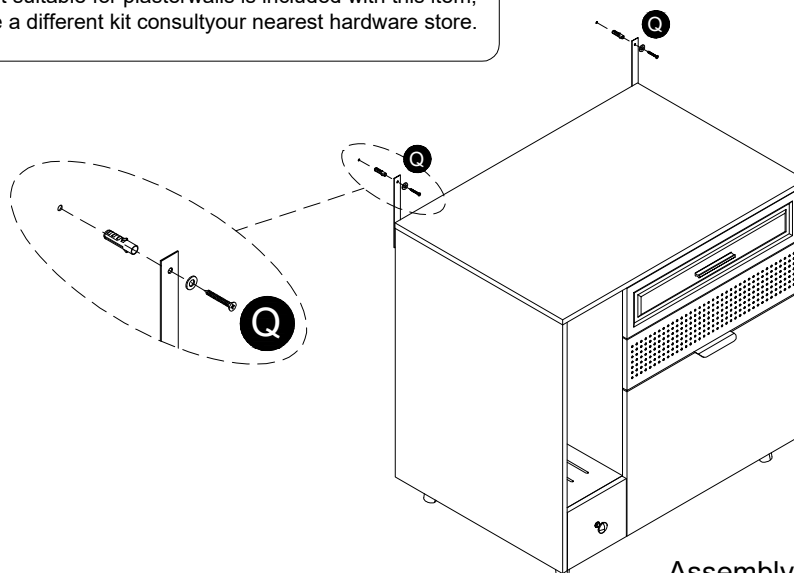
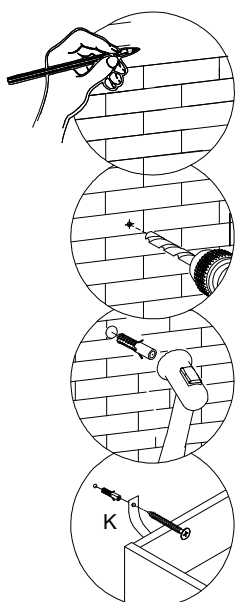
Step 24



Step 25



DANGER - To prevent furniture from toppling attach, mount, bolt or otherwise secure to walls and floors. Do not put heavy items on top shelves. Do not place unstable furniture near where children play. An anchor kit suitable for plaster walls is included with this item, if you require a different kit consult your nearest hardware store.



Assembly is complete.
L'assemblage est terminé.