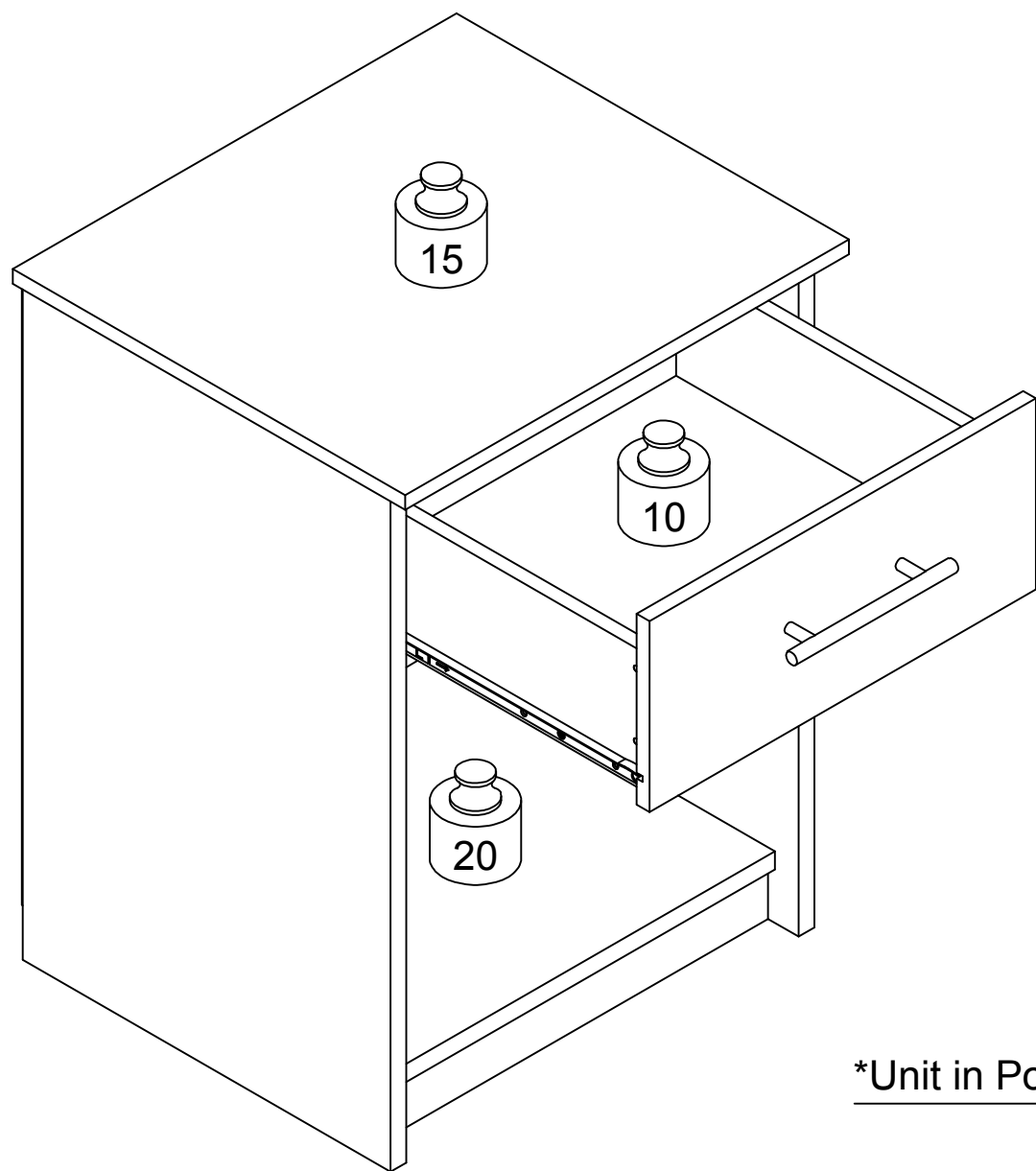


Recommended Maximum Weight



*Unit in Pound(lbs.)

WARNING:

>This unit has been designed to support the maximum loads shown. Exceeding these load limits could cause sagging, instability, product collapse, and/or serious injury.

>DO NOT allow children to climb on unit.

> Put heavier items on lower shelves.



Assembly Instruction

Furinno Lucca Nightstand With One Drawer

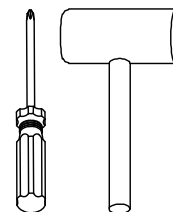
MODEL : 19153H (Set of 2)

01:00

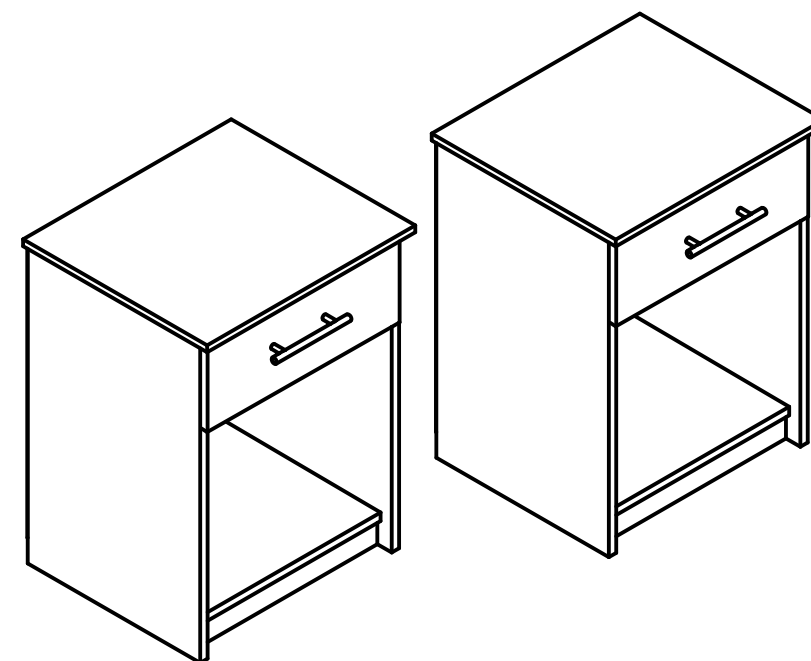
Approx. 1 Hour



Recomm. 1 Person



Tool Required



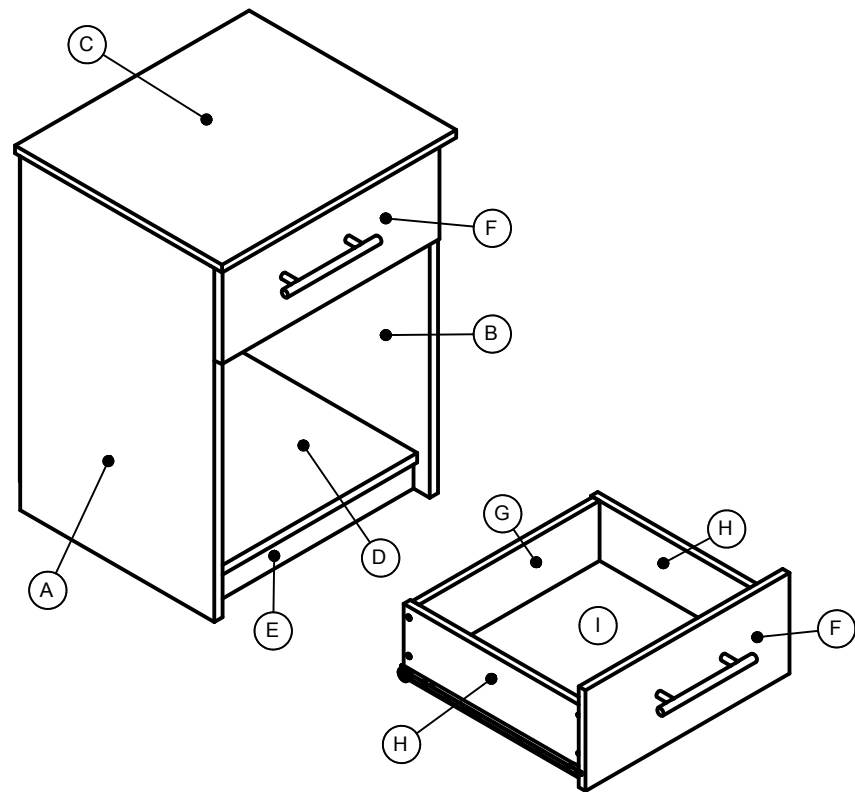
Customer Support

NEED HELP? For replacement requests or product inquiries, please contact our Customer Service Team by emailing us at support@furinno.com. Thank you for selecting Furinno!

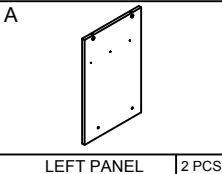
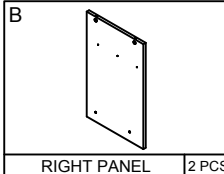
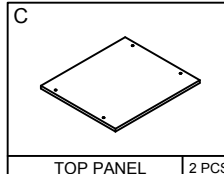
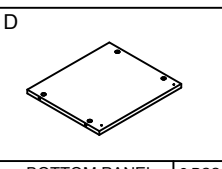
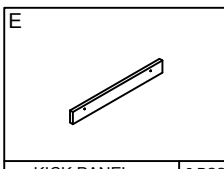
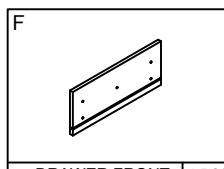
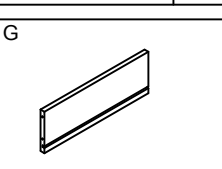
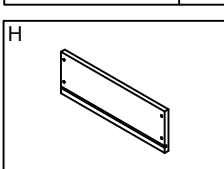
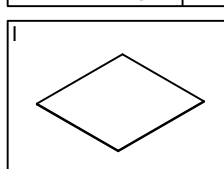
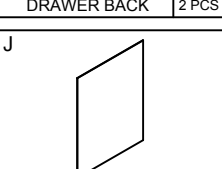
www.furinno.com



EXPLODED VIEW

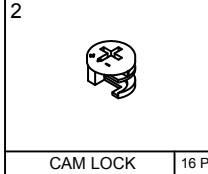
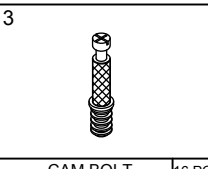
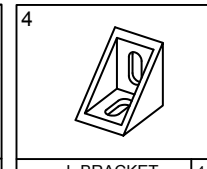
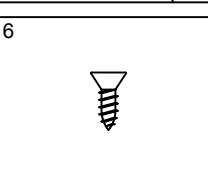
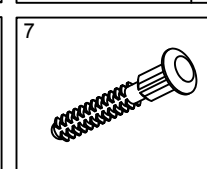
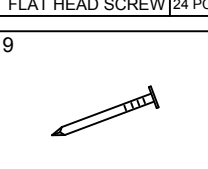
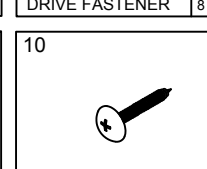
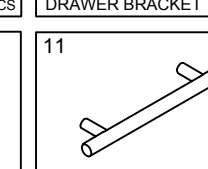


PARTS LIST

 LEFT PANEL 2 PCS	 RIGHT PANEL 2 PCS	 TOP PANEL 2 PCS
 BOTTOM PANEL 2 PCS	 KICK PANEL 2 PCS	 DRAWER FRONT 2 PCS
 DRAWER BACK 2 PCS	 DRAWER SIDE 4 PCS	 DRAWER BOTTOM 2 PCS
 BACK PANEL 2 PCS		

*All the part quantity are for two sets.

HARDWARE LIST

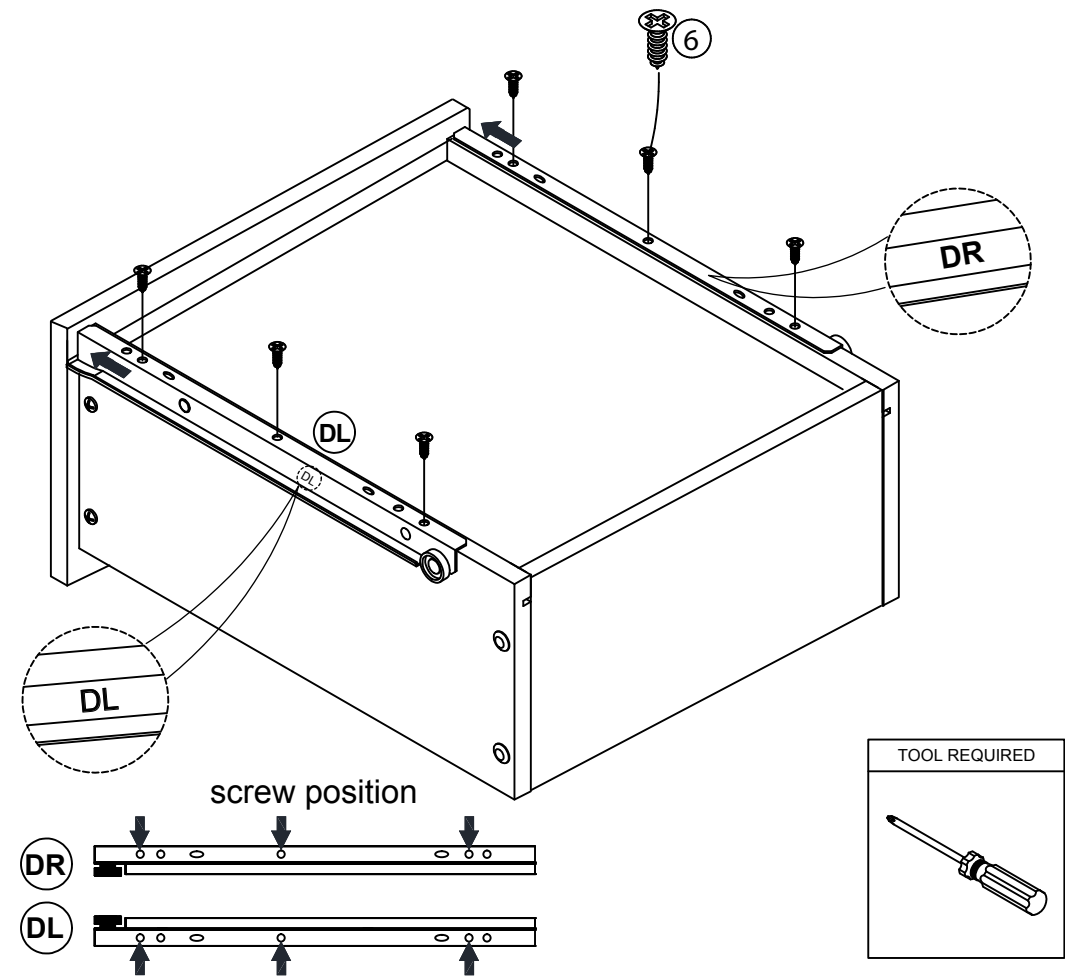
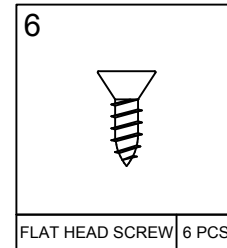
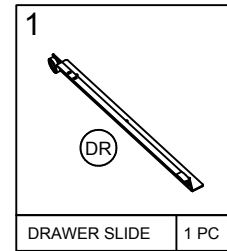
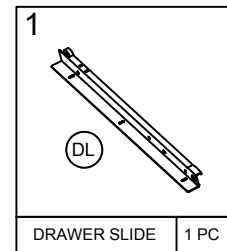
 DRAWER SLIDE 2 SETS	 CAM LOCK 16 PCS
 CAM BOLT 16 PCS	 L BRACKET 4 PCS
 PAN HEAD SCREW 24 PCS	
 FLAT HEAD SCREW 24 PCS	 DRIVE FASTENER 8 PCS
 DRAWER BRACKET 4 PCS	
 POWER PIN 40 PCS	 HANDLE SCREW 4 PCS
 HANDLE KNOB 2 PCS	

*All the hardware quantity are for two sets.

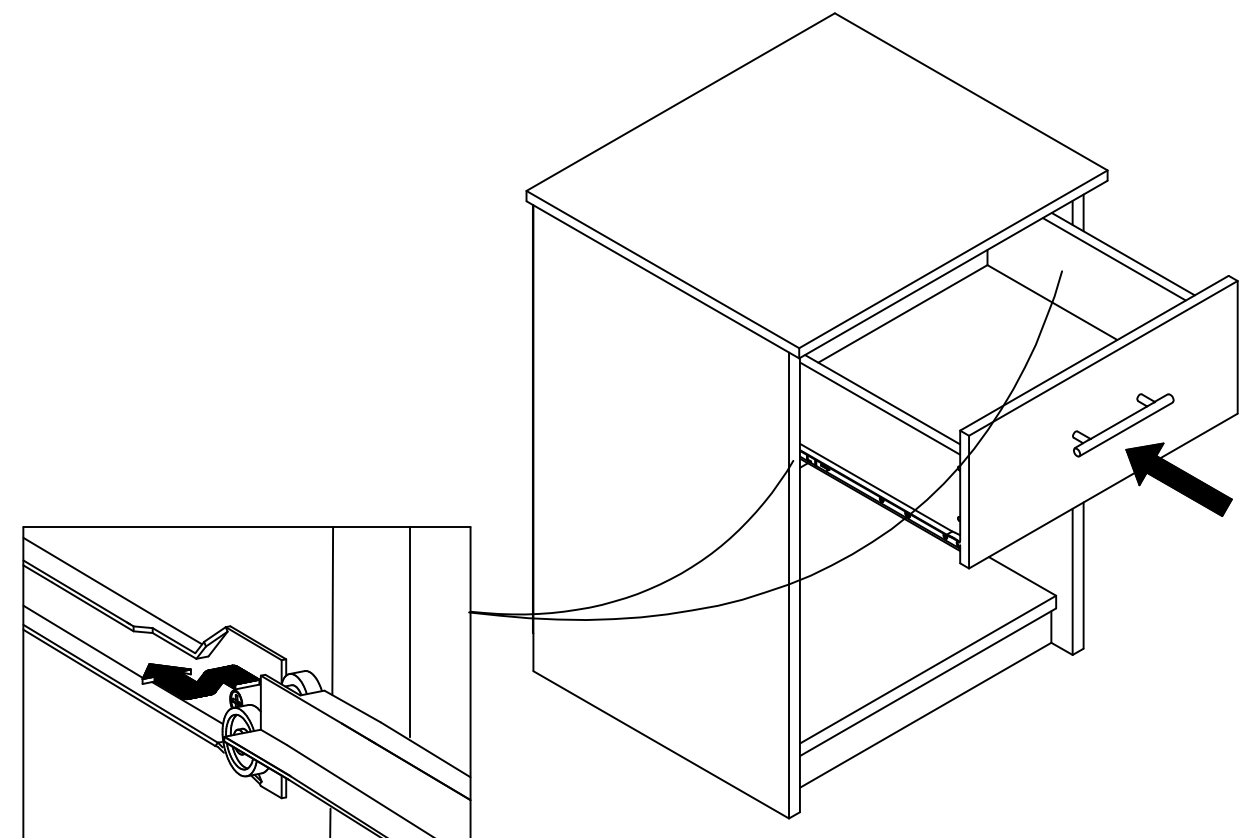
USEFUL HINTS BEFORE YOU START:

1. Read each step carefully before starting.
2. It is important that each step is performed in correct order to avoid difficulties.
3. Identify, soft and count the parts before assembly.
4. Assemble your furniture on packaging cardboard to prevent scratch or damage.
5. Clean the product with mild cleanser using soft damped cloth. Do not use harsh or abrasive cleanser.
6. Using incompatible hardware might cause damage to product.

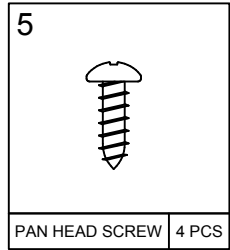
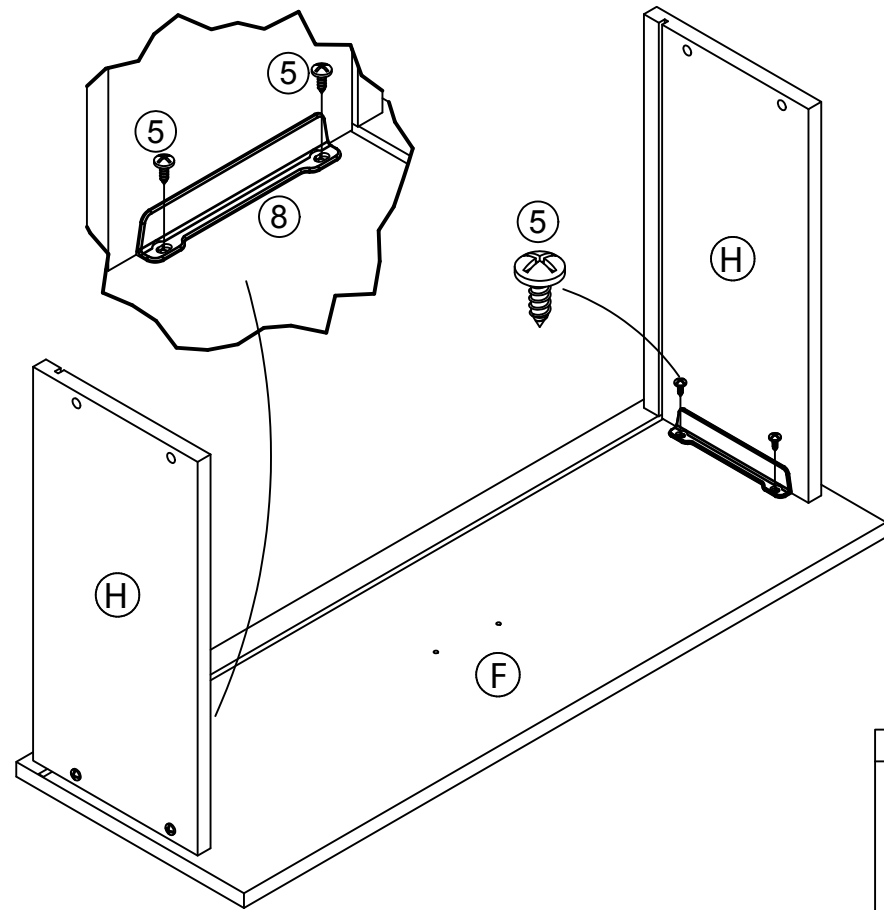
STEP 9



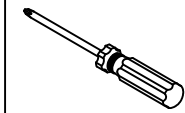
STEP 10



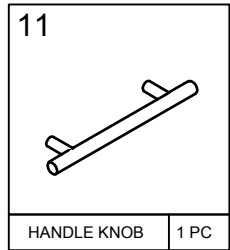
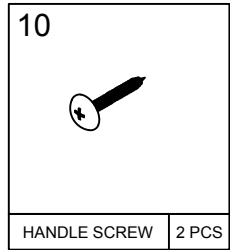
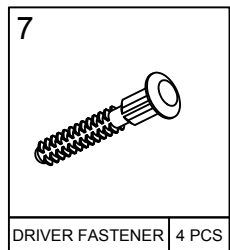
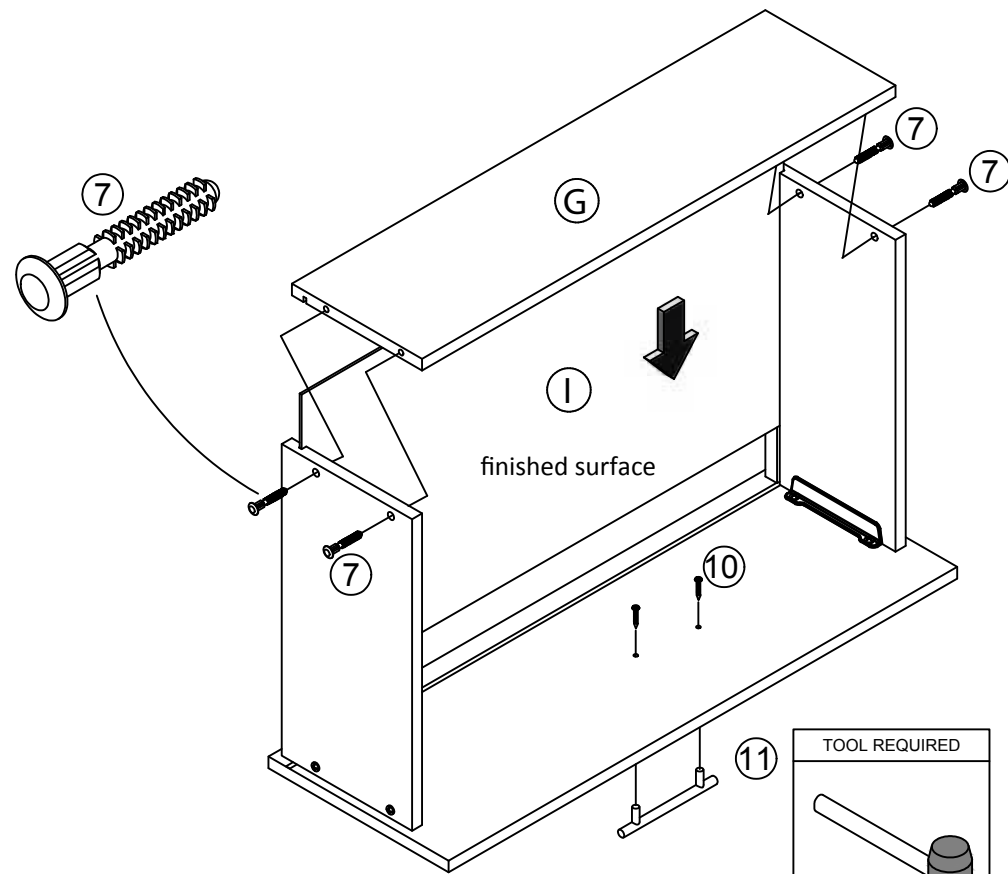
STEP 7



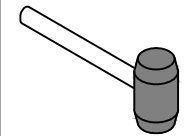
TOOL REQUIRED



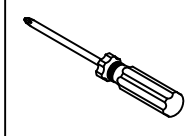
STEP 8



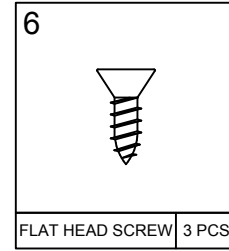
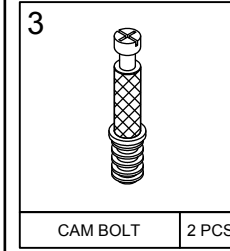
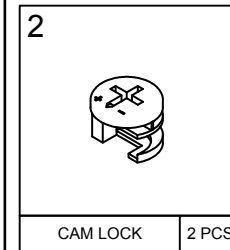
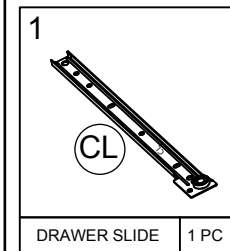
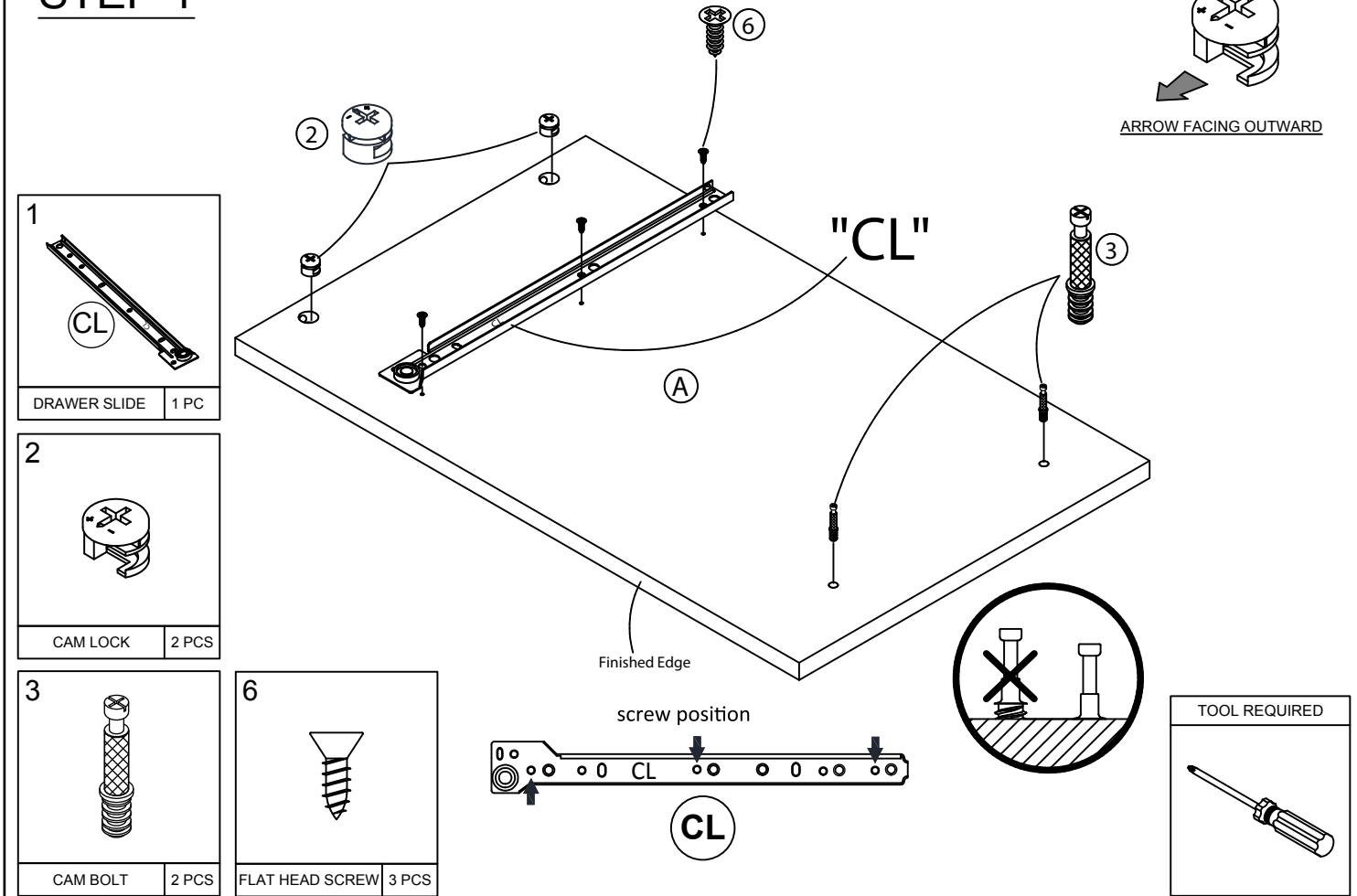
TOOL REQUIRED



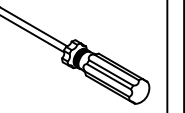
TOOL REQUIRED



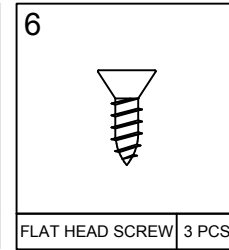
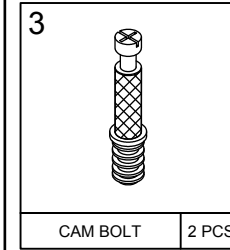
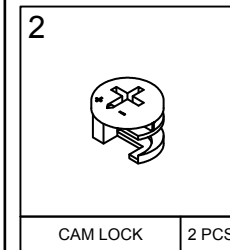
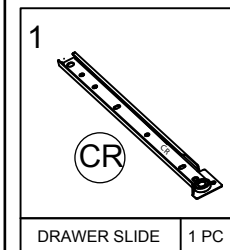
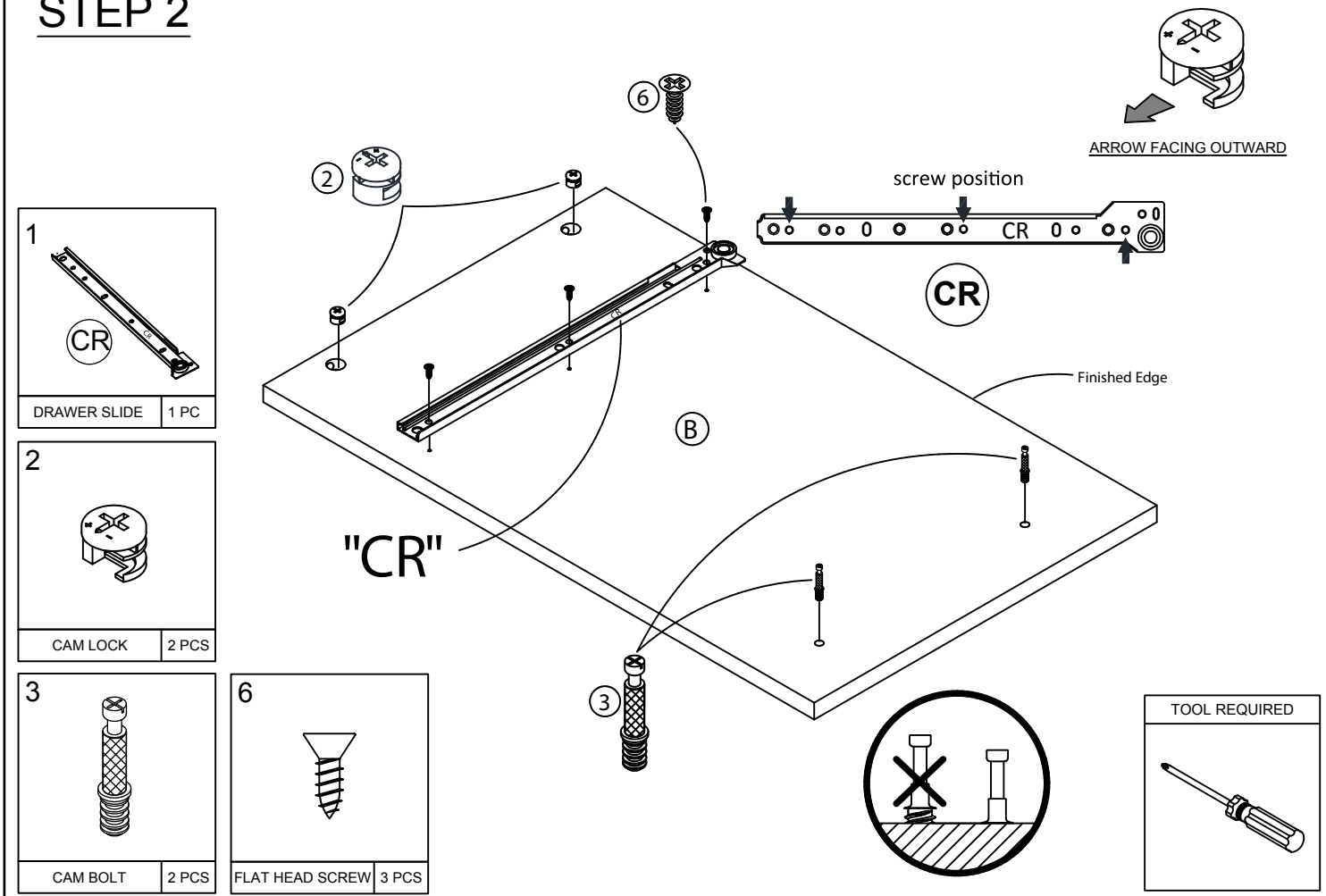
STEP 1



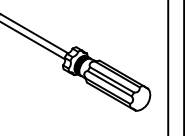
TOOL REQUIRED



STEP 2

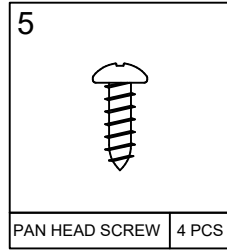
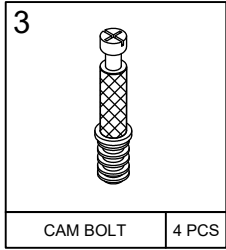
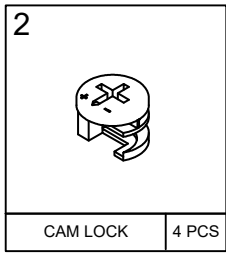
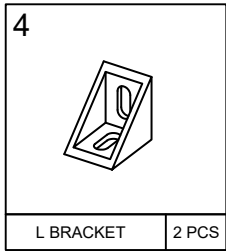
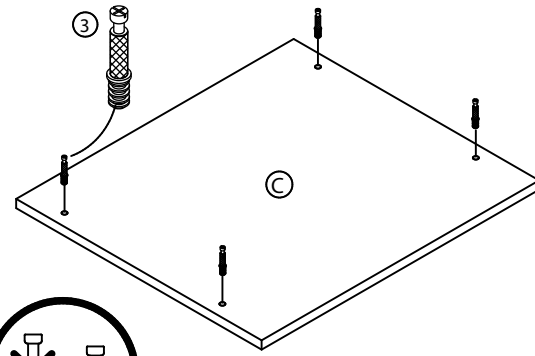


TOOL REQUIRED



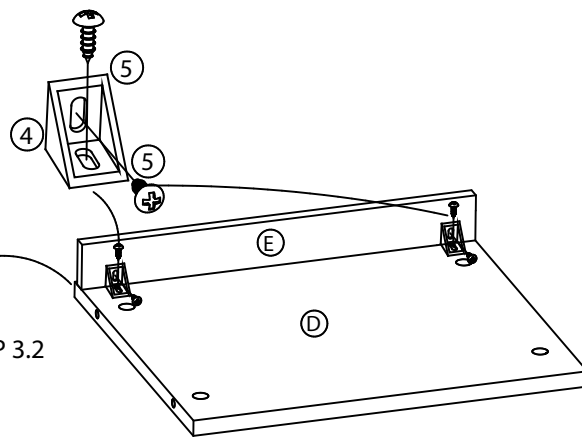
STEP 3

STEP 3.1



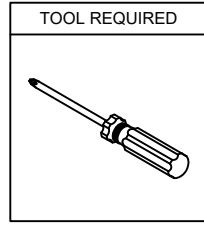
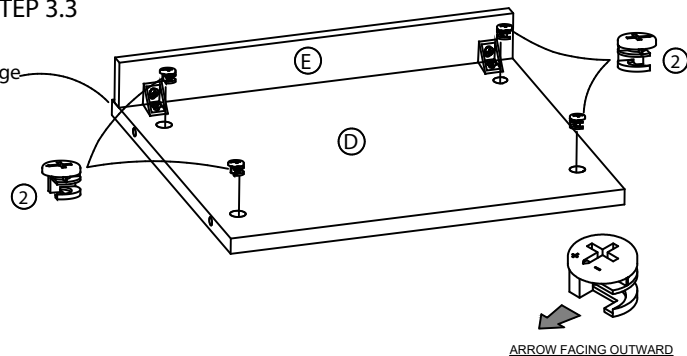
Finished Edge

STEP 3.2



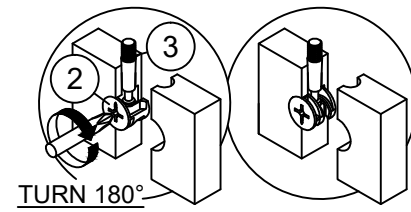
STEP 3.3

Finished Edge



ARROW FACING OUTWARD

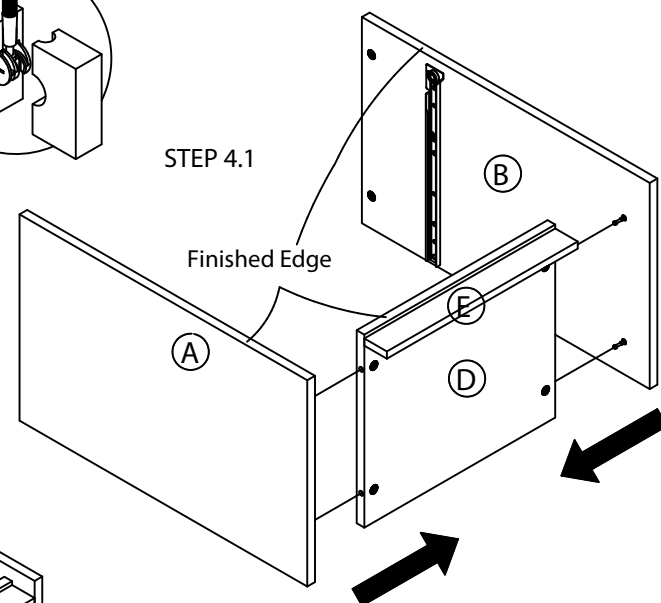
STEP 4



TURN 180°

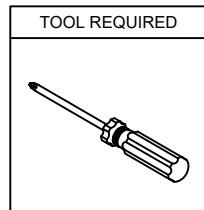
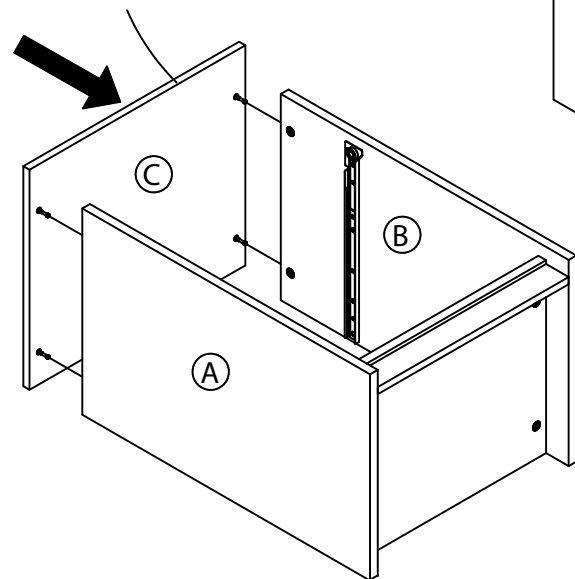
STEP 4.1

Finished Edge



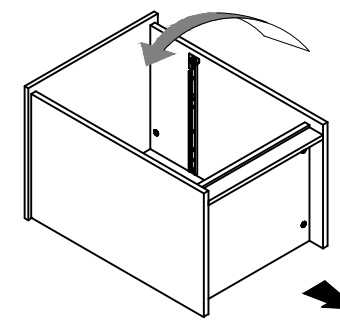
STEP 4.2

Finished Edge

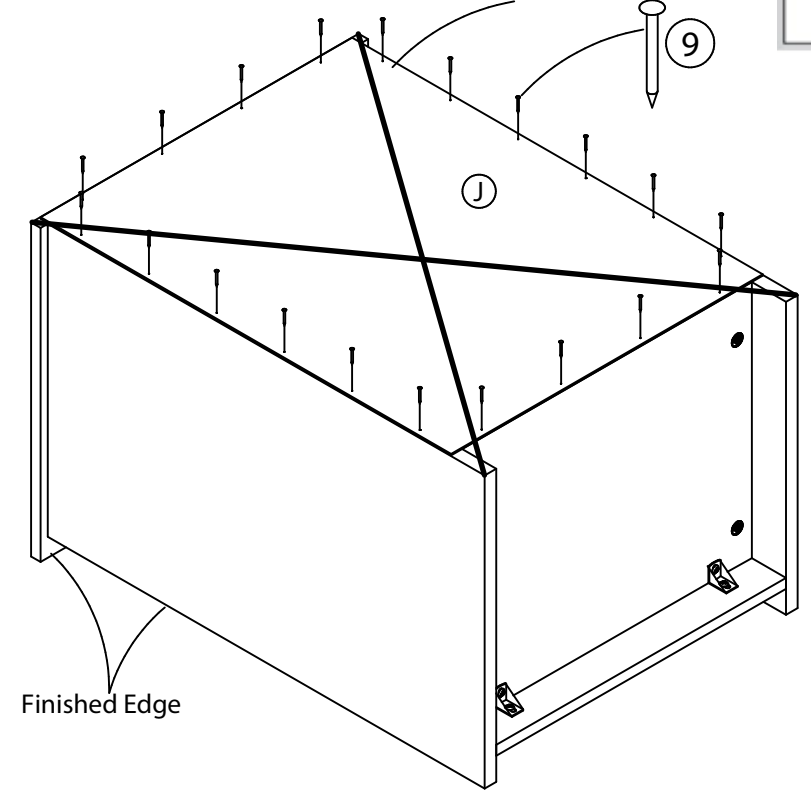


STEP 5

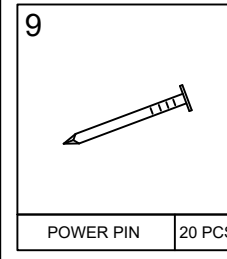
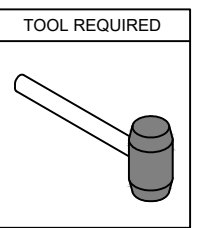
TURN 180°



Unfinished Surface



Finished Edge



STEP 6

