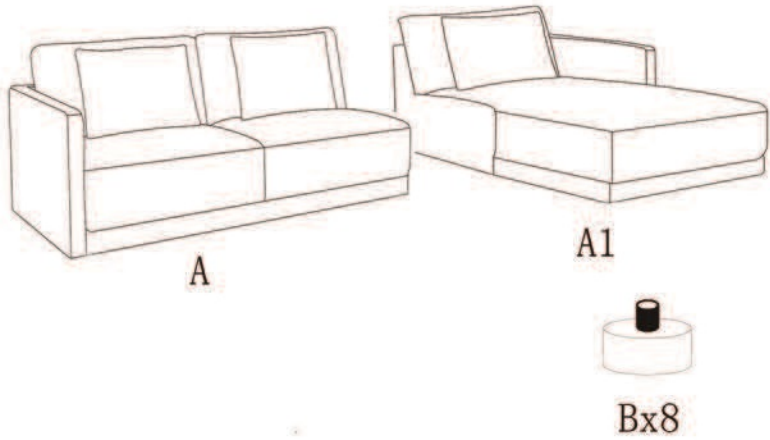
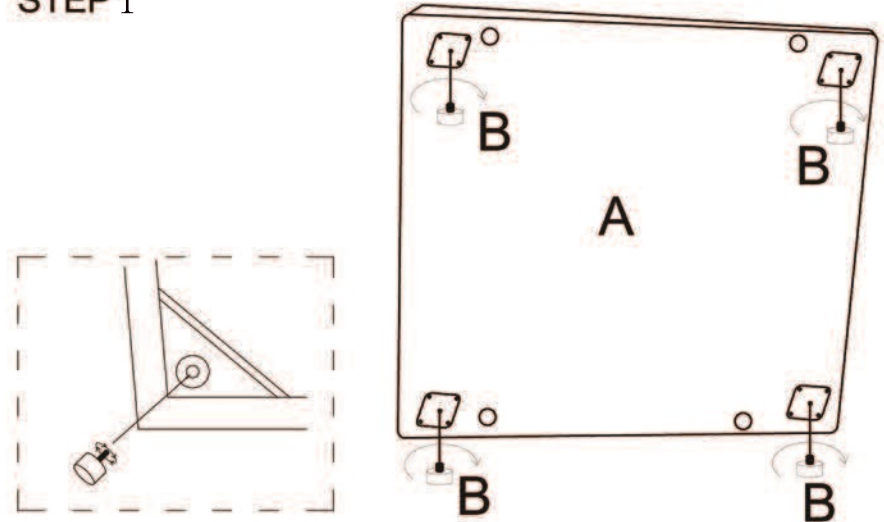


# ASSEMBLY INSTRUCTION

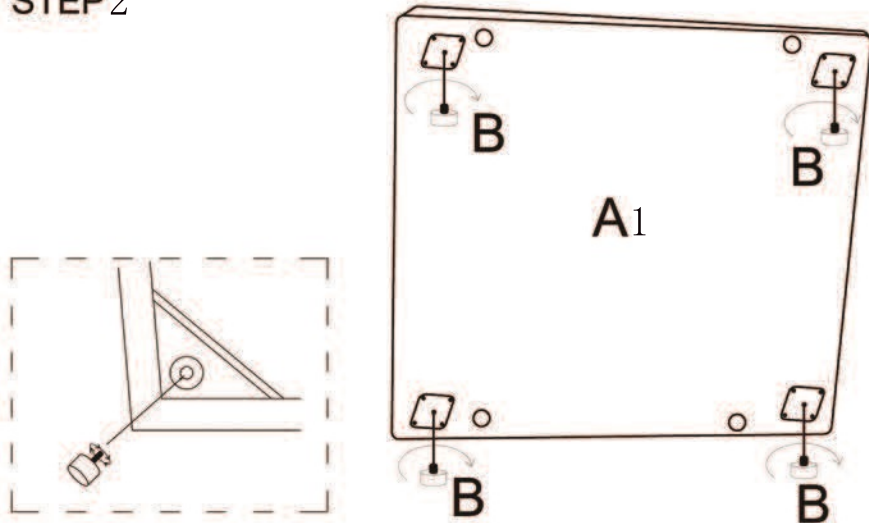
Before you beginning, please follow below Assembly Instruction step by step.



STEP 1



STEP 2



STEP 3

