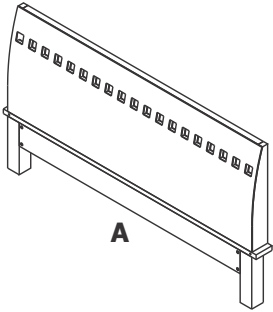


C-KING BED

ASSEMBLY INSTRUCTIONS

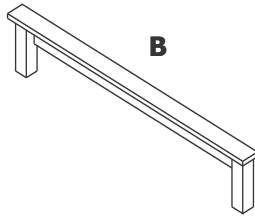
BOX #1

A. HEADBOARD 1 PC



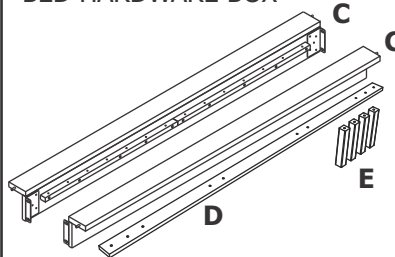
BOX #2

B. FOOTBOARD 1 PC



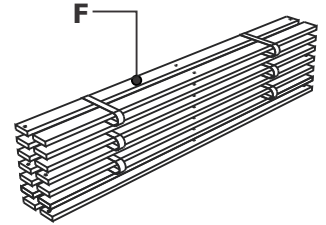
BOX #3

C. SIDE RAIL 2 PCS
D. CENTER SLAT 1 PC
E. SUPPORT LEG 4 PCS
BED HARDWARE BOX*

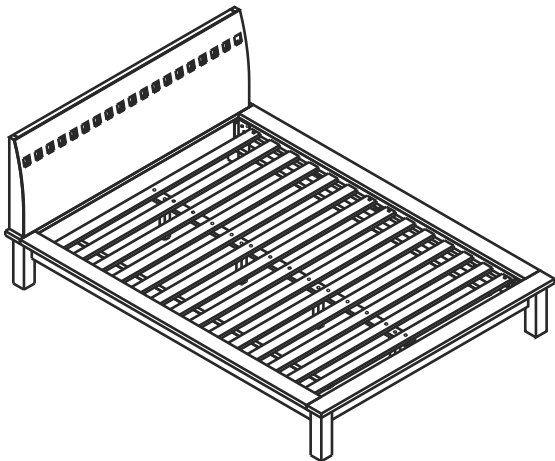


BOX #4

F. SLAT ROLL 1 SET



BED ASSEMBLED

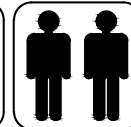
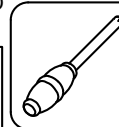


BED HARDWARE PACKED IN BOX #3

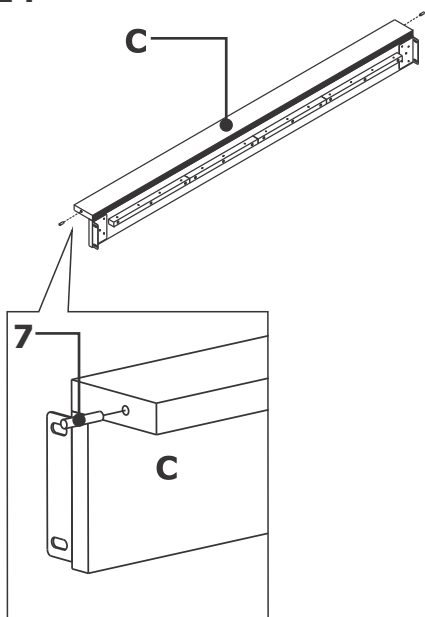
1	PHILLIPS HEAD BOLT (8x20mm)	8 PCS	2	SPRING WASHER (M8)	8 PCS	3	FLAT WASHER (M8)	8 PCS	4	ALLEN BOLT (6x40mm)	11 PCS
5	WOOD SCREW (8x30mm)	9 PCS	6	ALLEN KEY	1 PC	7	METAL PIN (8x40mm)	4 PCS			

TOOL REQUIRED : PHILLIPS HEAD SCREWDRIVER (NOT PROVIDED)

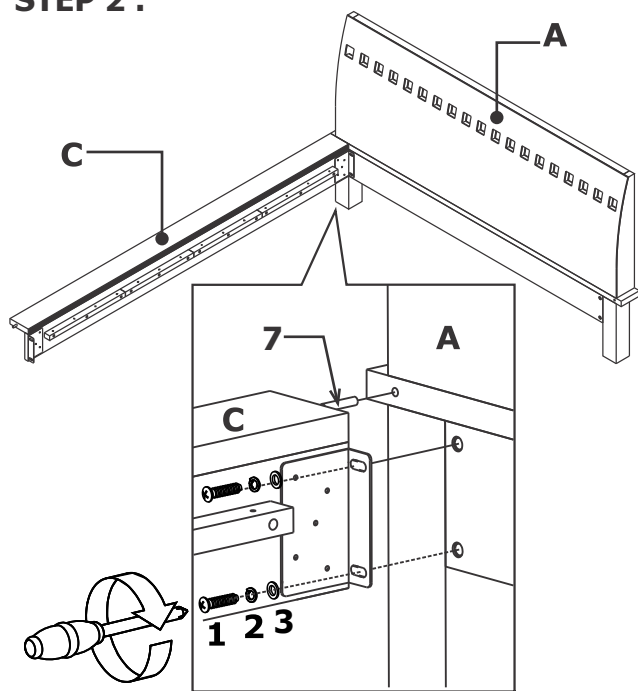
YOUR BOX MAY CONTAIN EXTRA HARDWARE



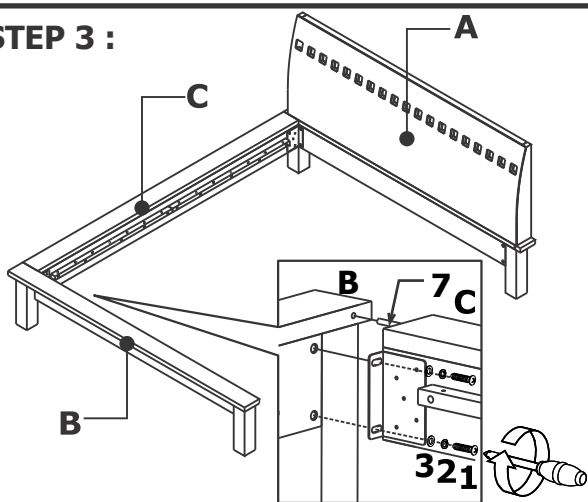
STEP 1 :



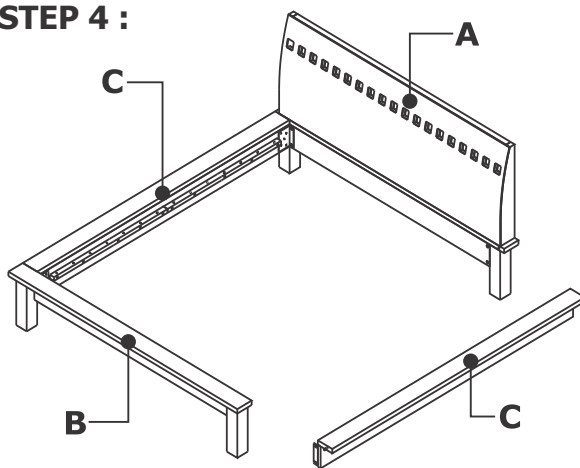
STEP 2 :



STEP 3 :



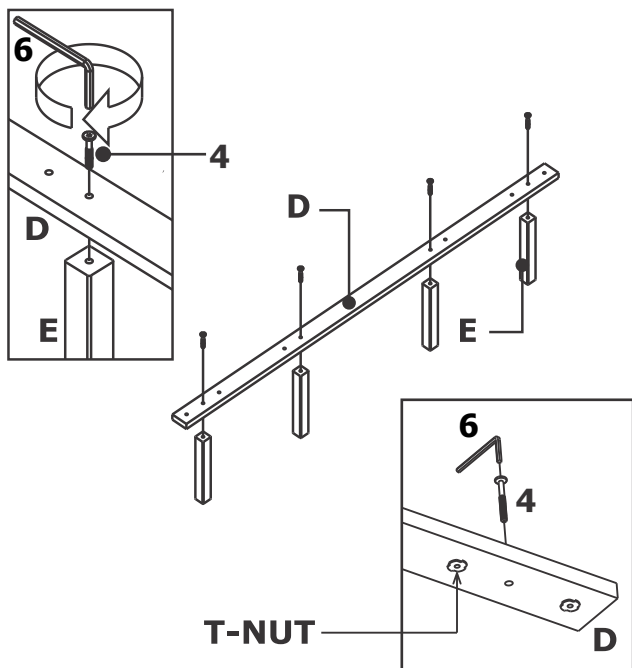
STEP 4 :



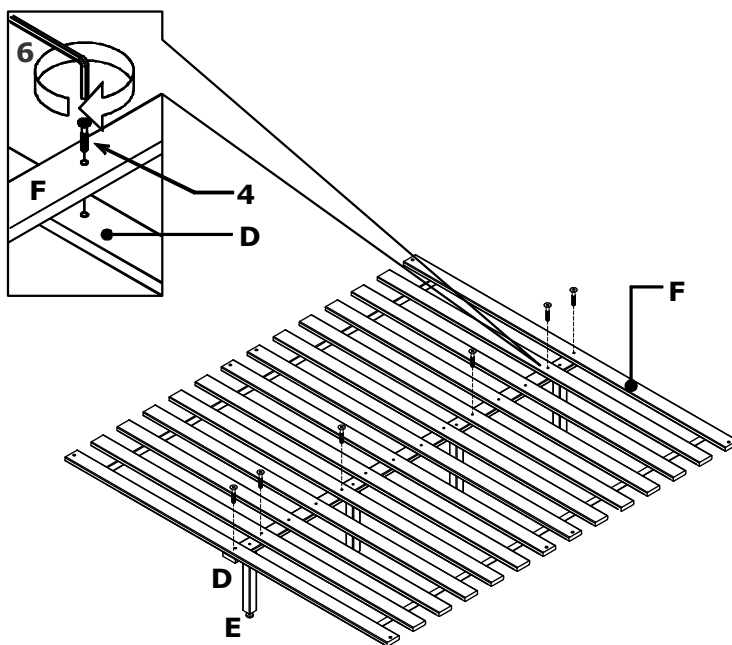
STOP

- IF USING BED FRAME WITH ADJUSTABLE MATTRESS BASE, SKIP TO APPENDIX A: ADJUSTABLE MATTRESS BASE ASSEMBLY SUPPLEMENT.
- IF USING BED FRAME WITH STANDARD BOX SPRING OR FOUNDATION CONTINUE TO STEP 5.

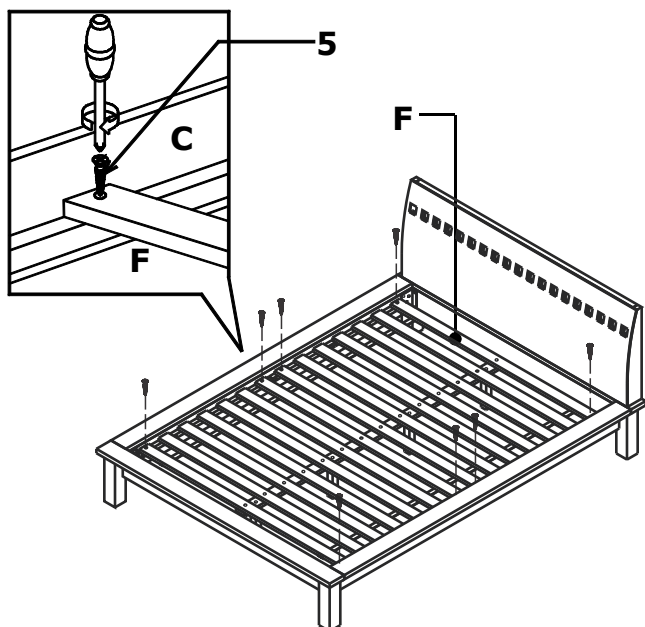
STEP 5 :



STEP 6 :



STEP 7 :

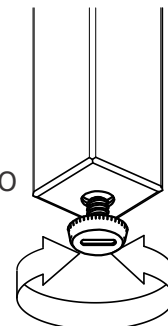


INSTRUCTIONS FOR ADJUSTING LEVELERS:

POSITION THE BED IN YOUR ROOM. LOCATE LEVELERS UNDER EACH SUPPORT LEG (E).

TURN LEVELERS COUNTER-CLOCKWISE TO EXTEND, CLOCKWISE TO RETRACT.

ADJUST LEVELERS UNTIL EACH SUPPORT LEG IS APPLYING EQUAL UPWARD PRESSURE ON THE CENTER SLAT.



MAINTENANCE INSTRUCTIONS:

- REMOVE BOX SPRING AND MATTRESS BEFORE MOVING YOUR BED.
- LIFT YOUR BED WHEN MOVING IT. DRAGGING CAN DAMAGE THE SUPPORT LEG.
- READJUST LEVELERS AFTER MOVING YOUR BED.

C-KING BED

APPENDIX A: ADJUSTABLE MATTRESS BASE ASSEMBLY SUPPLEMENT

AN ADJUSTABLE MATTRESS BASE IS A FREESTANDING MATTRESS SUPPORT THAT SITS WITHIN THE PERIMETER OF THE BED FRAME.

IF USING THIS BED FRAME WITH A STANDARD BOX SPRING OR FOUNDATION THESE INSTRUCTIONS DO NOT APPLY.

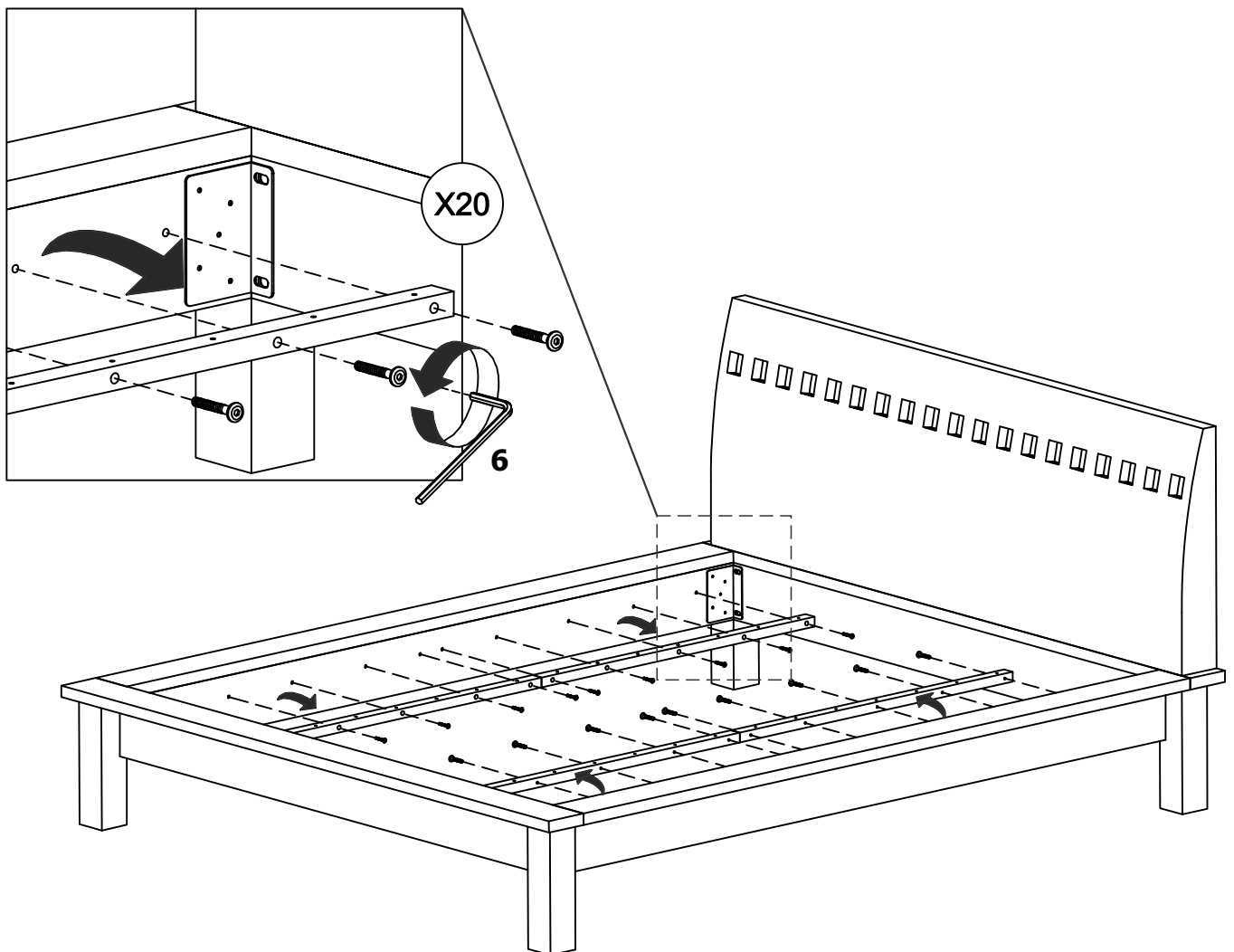
PRE-ASSEMBLED SIDE RAIL CLEATS OBSTRUCT ADJUSTABLE BASE INSTALLATION AND OPERATION. FOLLOW THESE INSTRUCTIONS TO REMOVE THEM.

THE FOLLOWING PARTS ARE NOT REQUIRED FOR ADJUSTABLE MATTRESS BASE INSTALLATION:

D. CENTER SLAT	1 PC	4. ALLEN BOLT (6x40mm)	11 PCS
E. SUPPORT LEG	4 PCS	5. WOOD SCREW (8x30mm)	9 PCS
F. SLAT ROLL	1 SET		

STEP 1 :

USE ALLEN KEY **(6)** TO UNSCREW ALLEN BOLTS AND REMOVE PRE-ASSEMBLED SIDE RAIL CLEATS.



NOTE: YOU MAY WISH TO RETAIN UNUSED PARTS IF IN THE FUTURE YOU INTEND TO USE THE BED FRAME WITH A STANDARD BOX SPRING OR FOUNDATION.