

5.7'×3' TOOL STORAGE SHED

MODEL#: LGCF1549

ASSEMBLY MANUAL



Pre-assembly



1. Two or more people are required for assembly.



2. You will need one or more stepladders.



3. Wearing protective gloves is recommended.



4. You may need a safety hat.



5. Please use a Phillips screw driver.



6. For ease of construction, you may need a drill.



7. You may need a safety goggle.



8. Do not fully tighten screws prior to complete assembly.

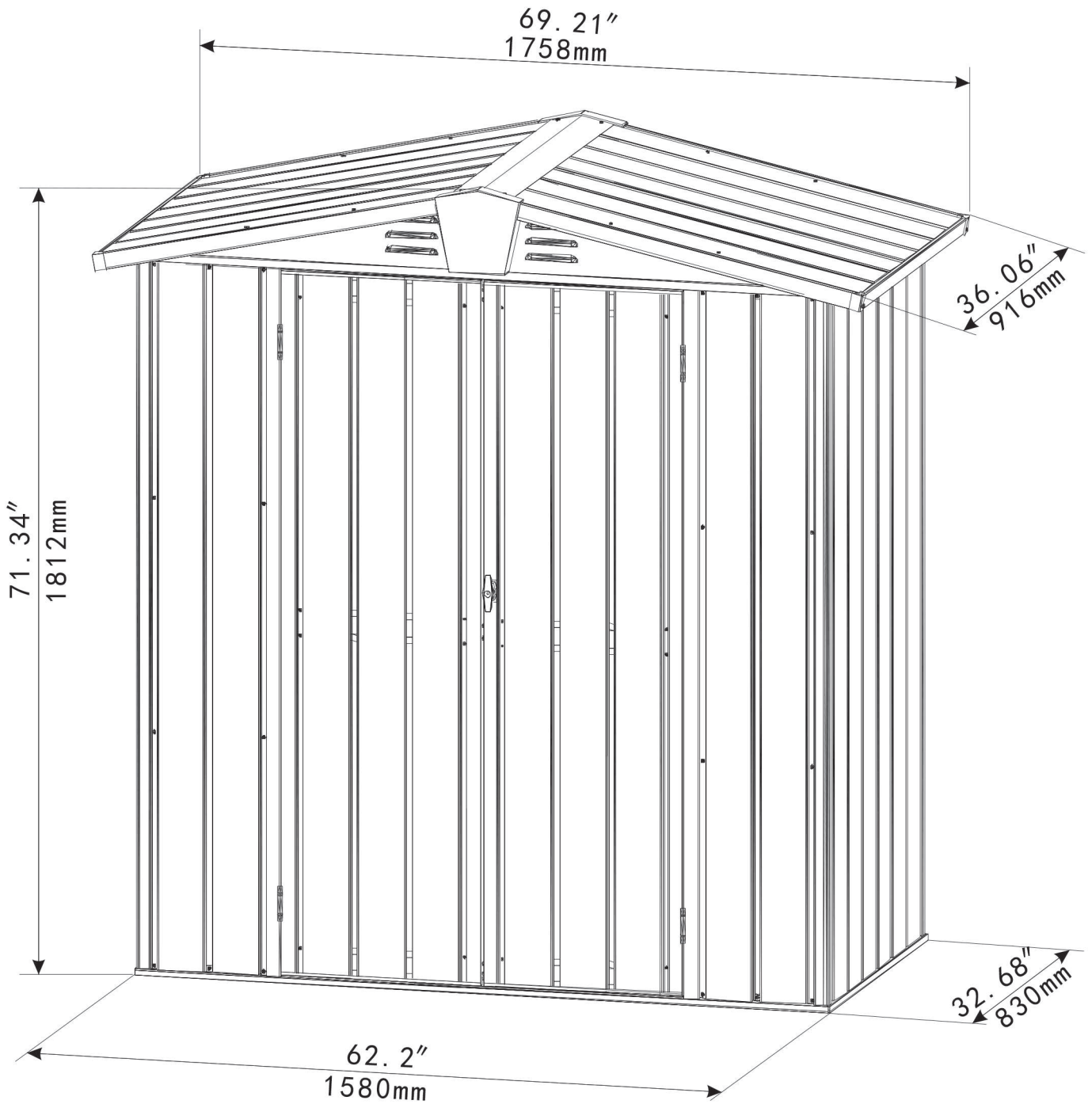
Warning & Attention

-Try to assemble this product on the flat ground, otherwise it is difficult to carry out;

-It would be much easier to assemble the product with three or more people;

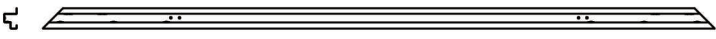
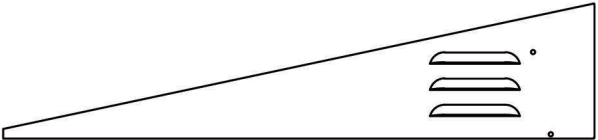
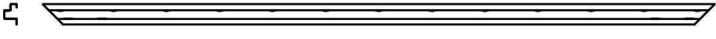
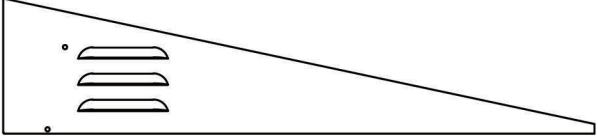
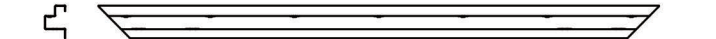
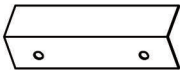
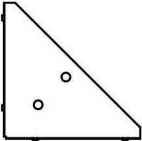


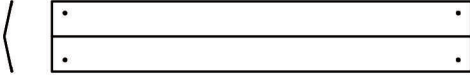

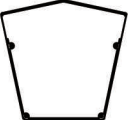


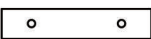
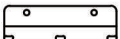
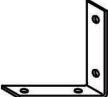






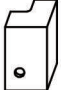
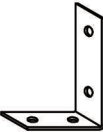

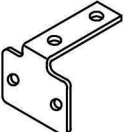

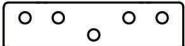

-After assembly, please check whether all screws are tightened, to prevent parts from falling apart.

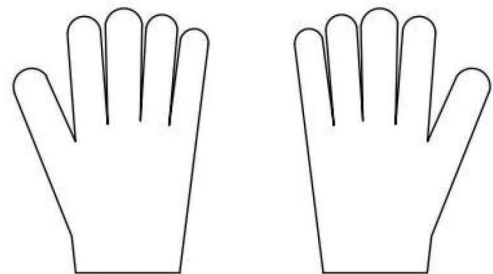
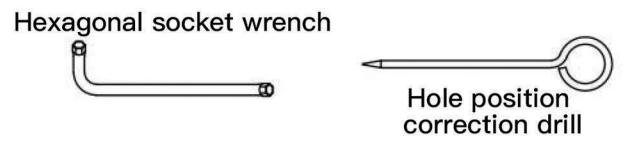
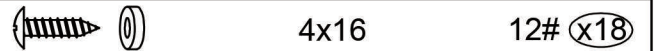
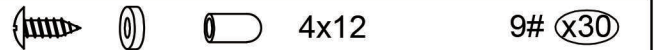
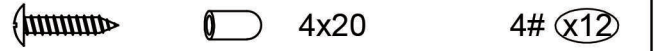
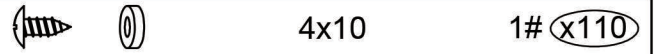
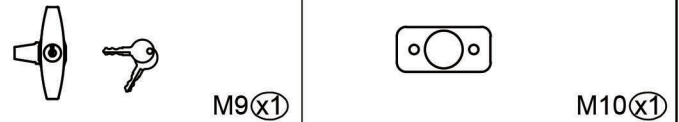
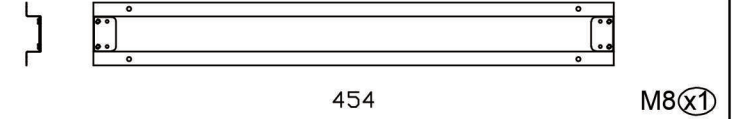
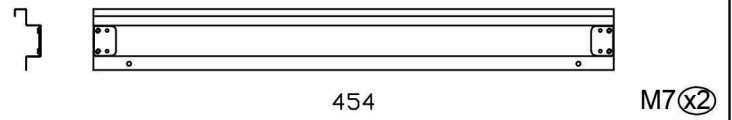
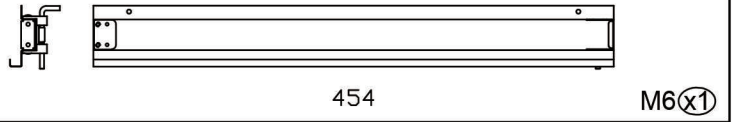
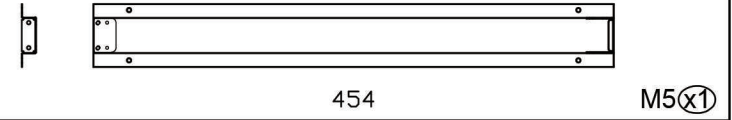
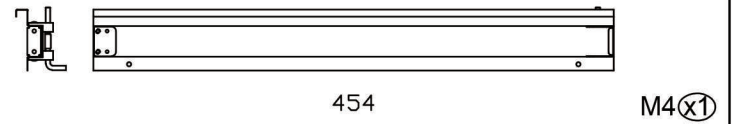
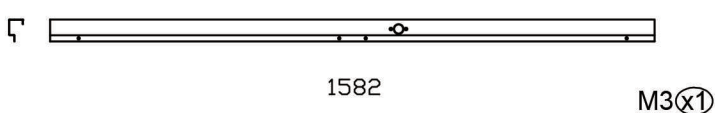
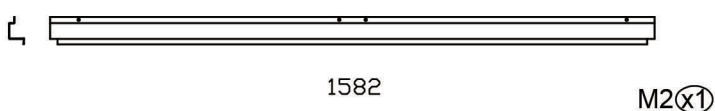
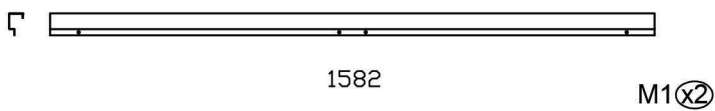
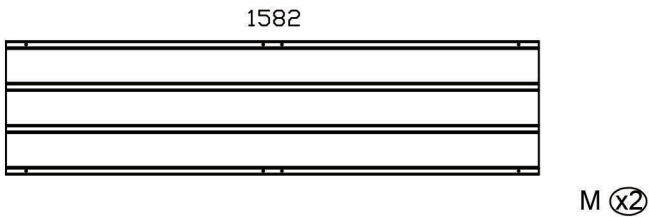
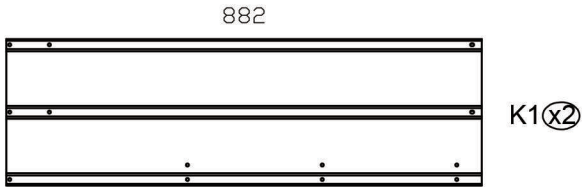
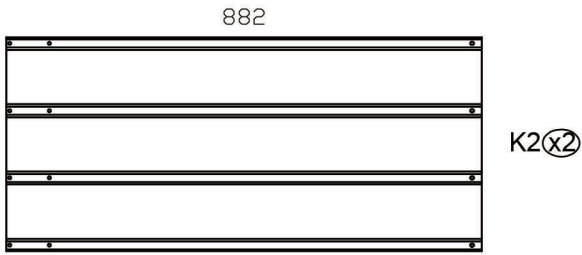
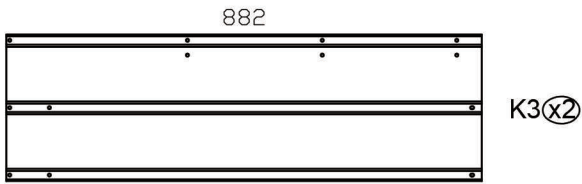
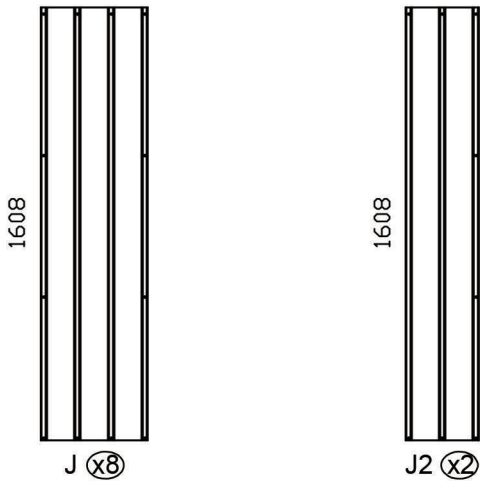
▲ Use bolts to secure the frame to the ground to against the strong wind.



The manual will assist you during the whole process of assembling.
Make sure you have all the parts & hardware as list 1 and list 2 shown;
prepare the level ground for installation.

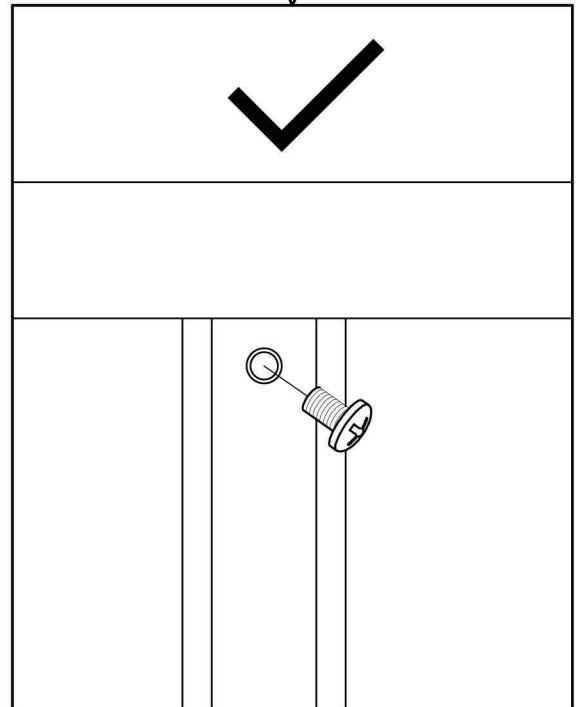
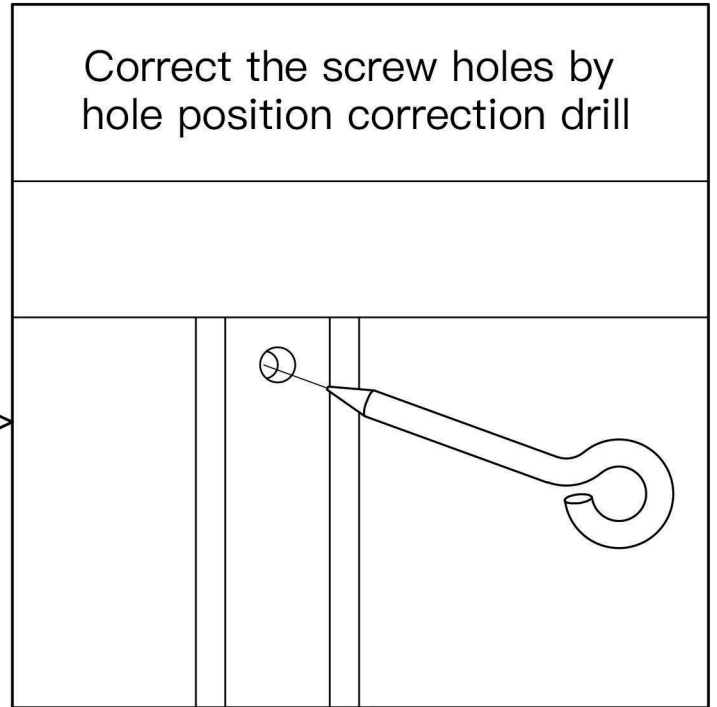
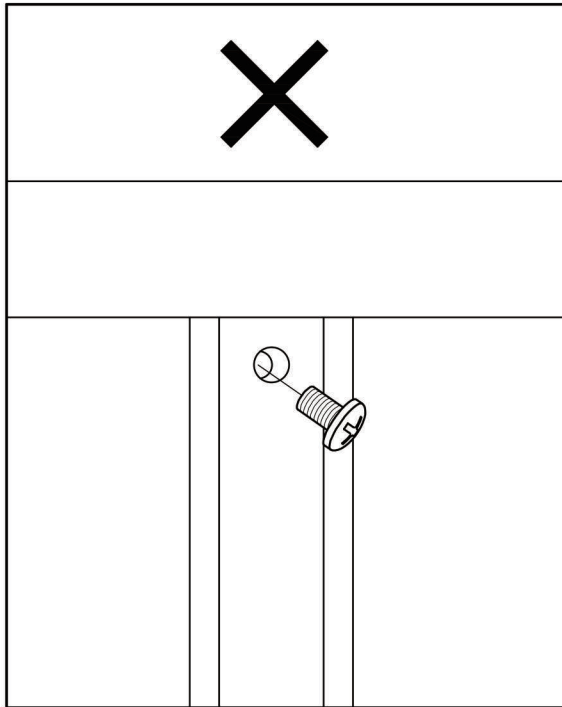
email: domiservice01@outlook.com

 1582 A1(x1)	 790 D1(x2)
 1582 A2(x1)	 790 D2(x2)
 832 A3(x2)	 D(x4)
 A(x4)	 839 E(x2)
 1537 B1(x1)	 875 F(x1)
 1537 B2(x1)	 F1(x2)
 787 B3(x2)	 908 G(x2)
 B4(x1)	 B8(x1)
 B(x4)	 877 G1(x2)
 1608,5 C(x4)	 877 G2(x2)
 1609 C1(x1)	 G5(x2)
 1609 C2(x1)	 G6(x2)
 C3(x2)	 1524 H(x2)
 C4(x2)	 774 H1(x4)
 Y(x4)	 Z(x12)



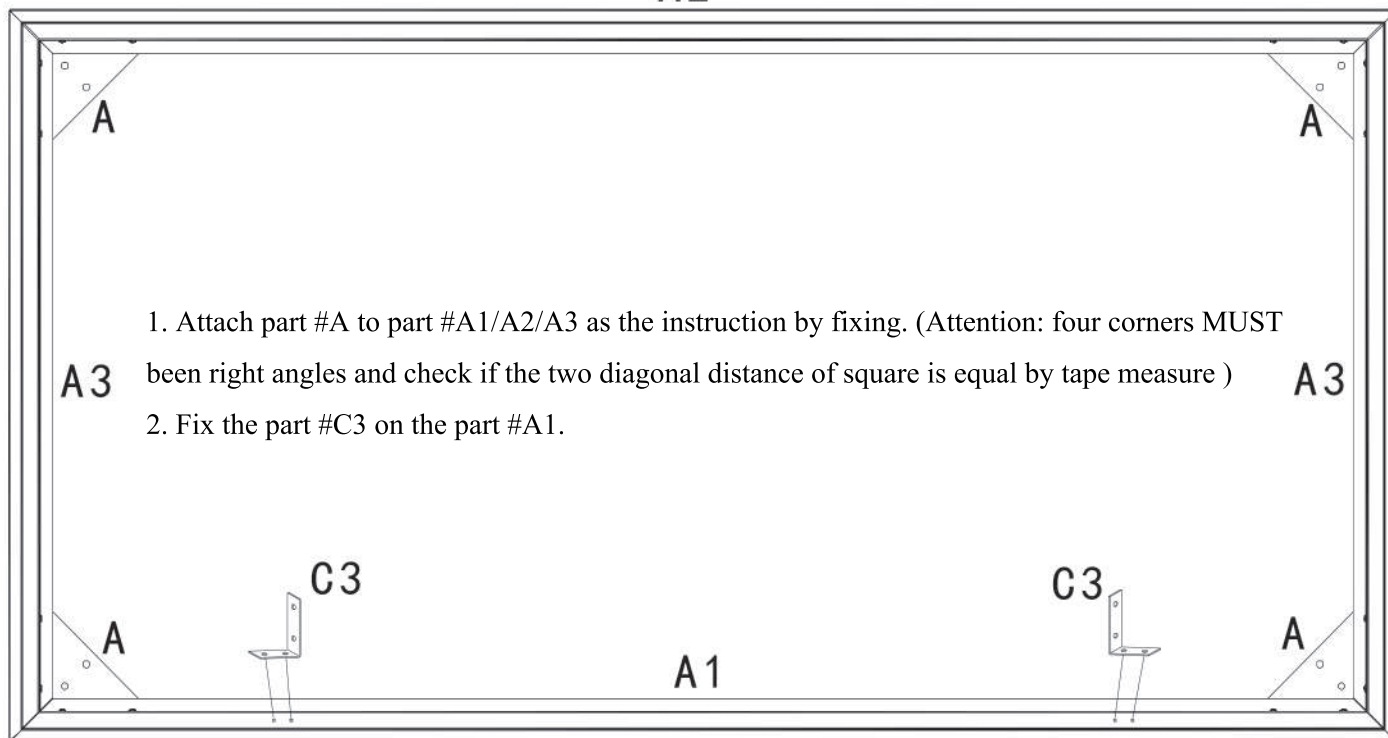


Hole position correction drill



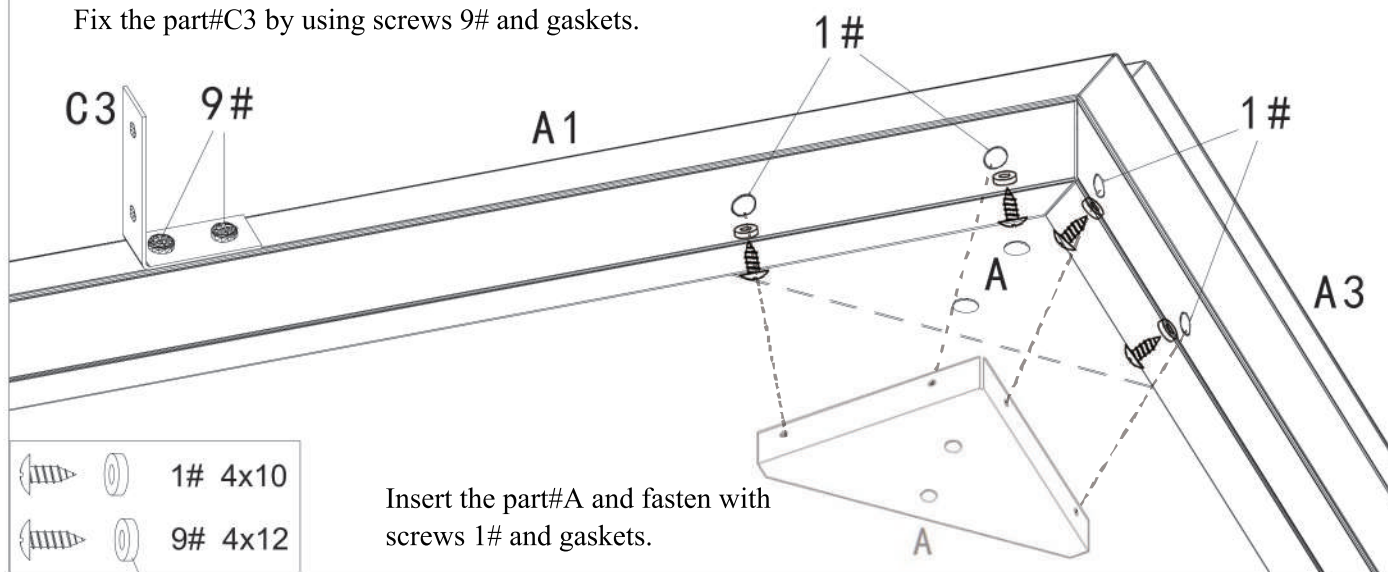
If the screw holes are not symmetrical, you can use this tool to correct the hole position.

A2



1. Attach part #A to part #A1/A2/A3 as the instruction by fixing. (Attention: four corners MUST been right angles and check if the two diagonal distance of square is equal by tape measure)
2. Fix the part #C3 on the part #A1.

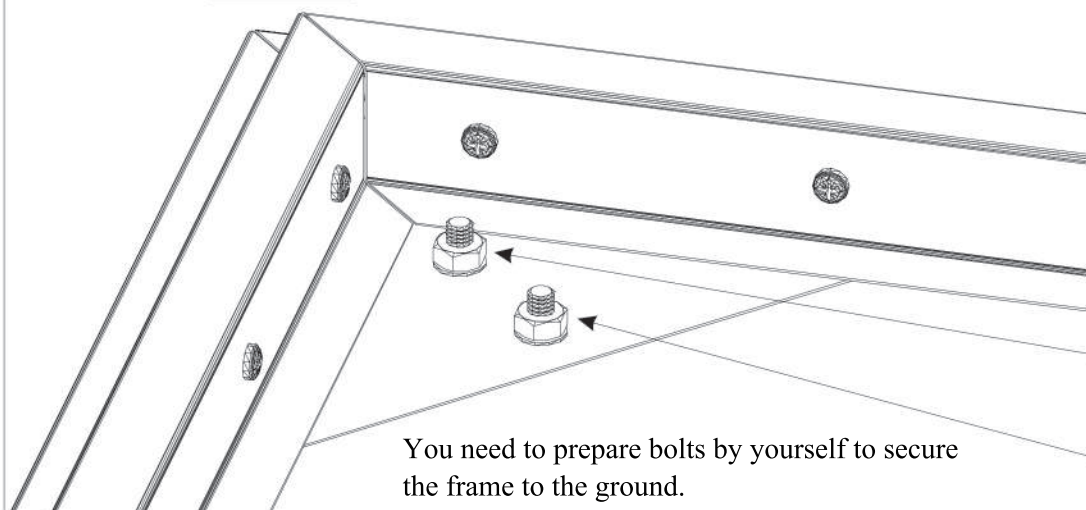
Fix the part#C3 by using screws 9# and gaskets.



- 1# 4x10
- 9# 4x12

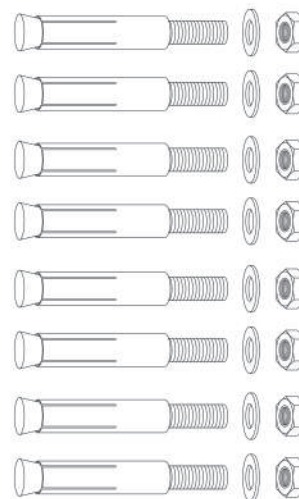
Insert the part#A and fasten with screws 1# and gaskets.

Plastic Gasket

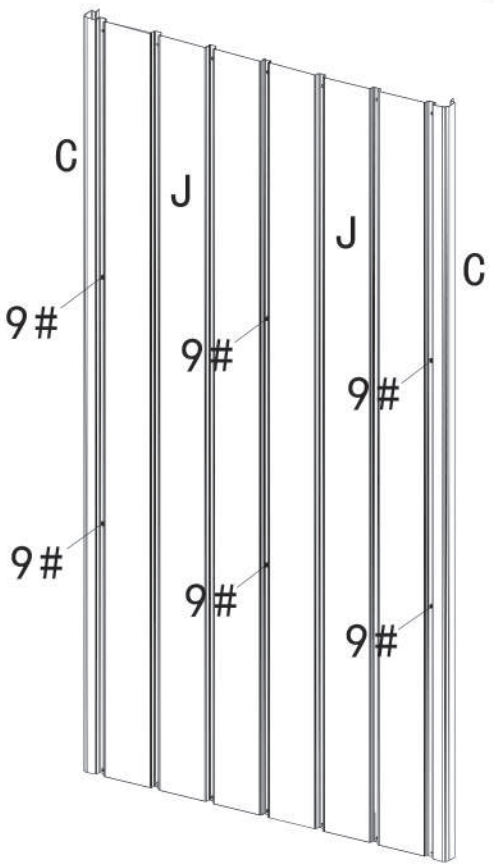
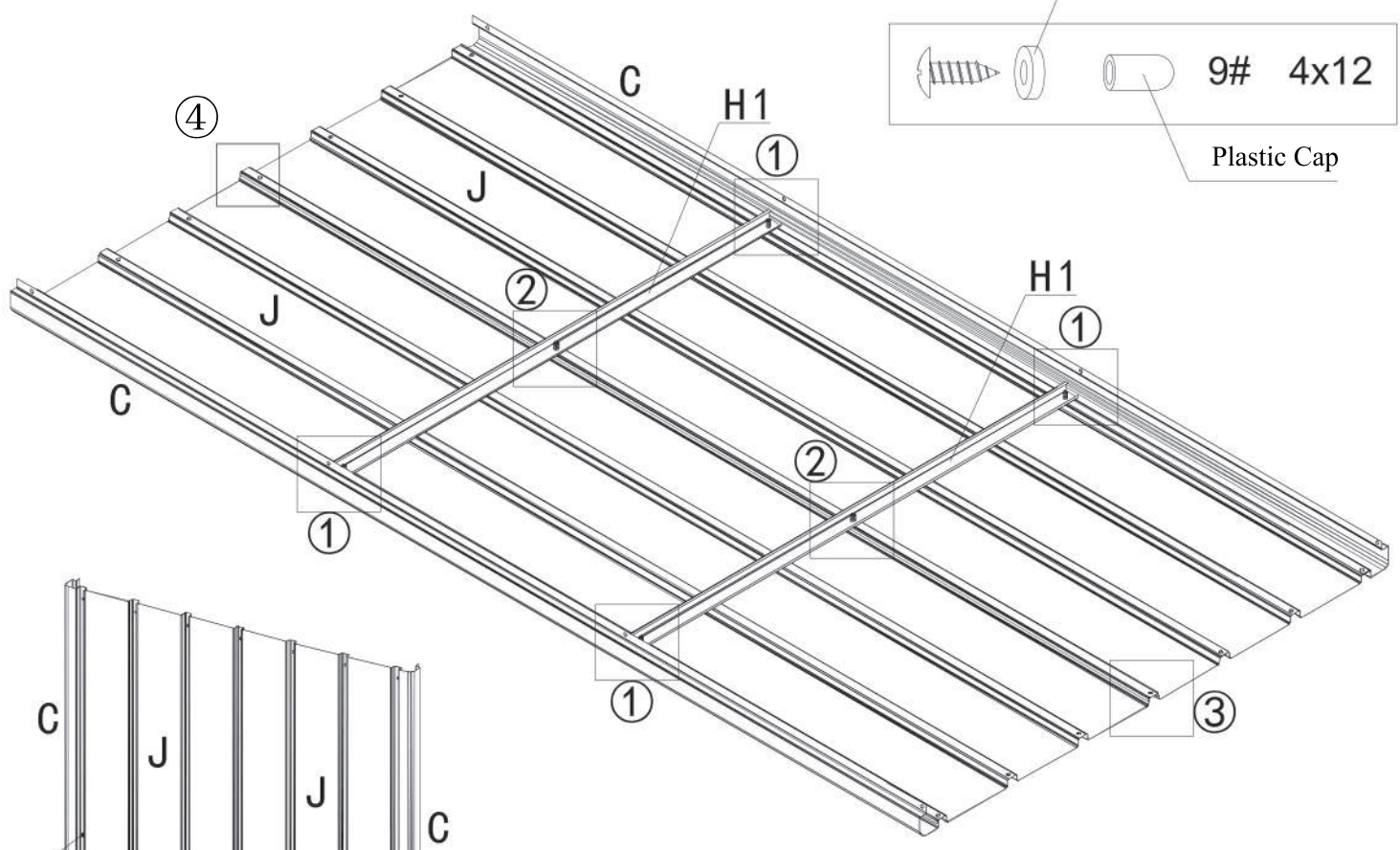
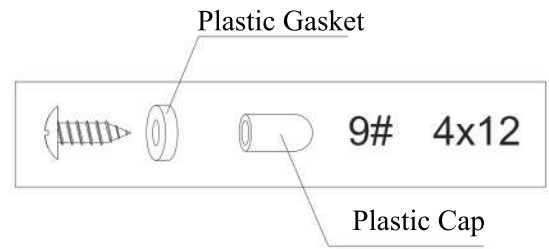
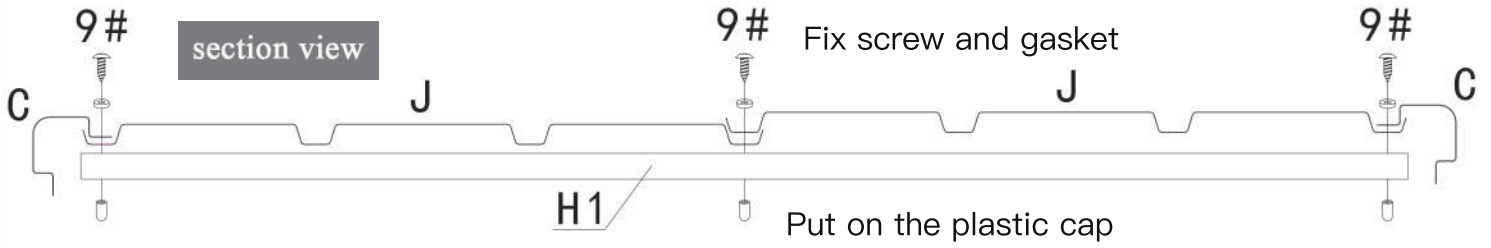


You need to prepare bolts by yourself to secure the frame to the ground.

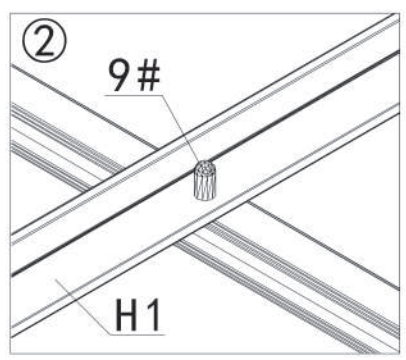
M6-8pcs



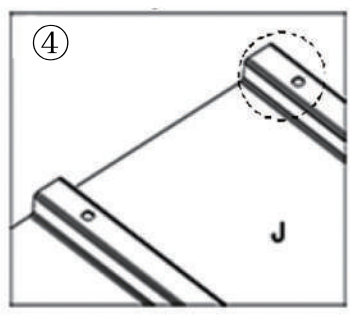
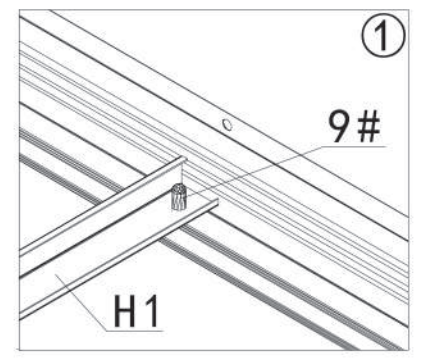
Part List: 2×part #J, 2×part #C, 2×part #H1, 6×screws 9#, 6×gaskets, 6×plastic caps



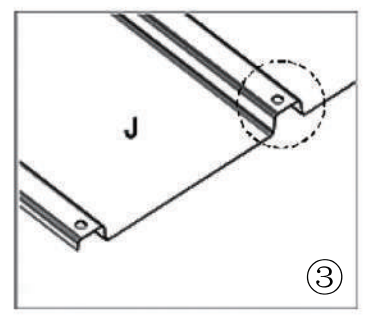
Use screws 9# to attach the part #H1 with part #J.



Attach the part #H1/J with part #C by screws 9#.

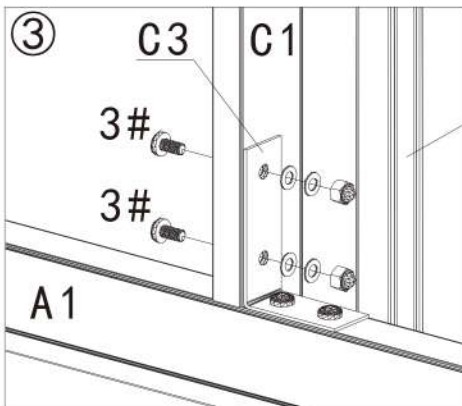
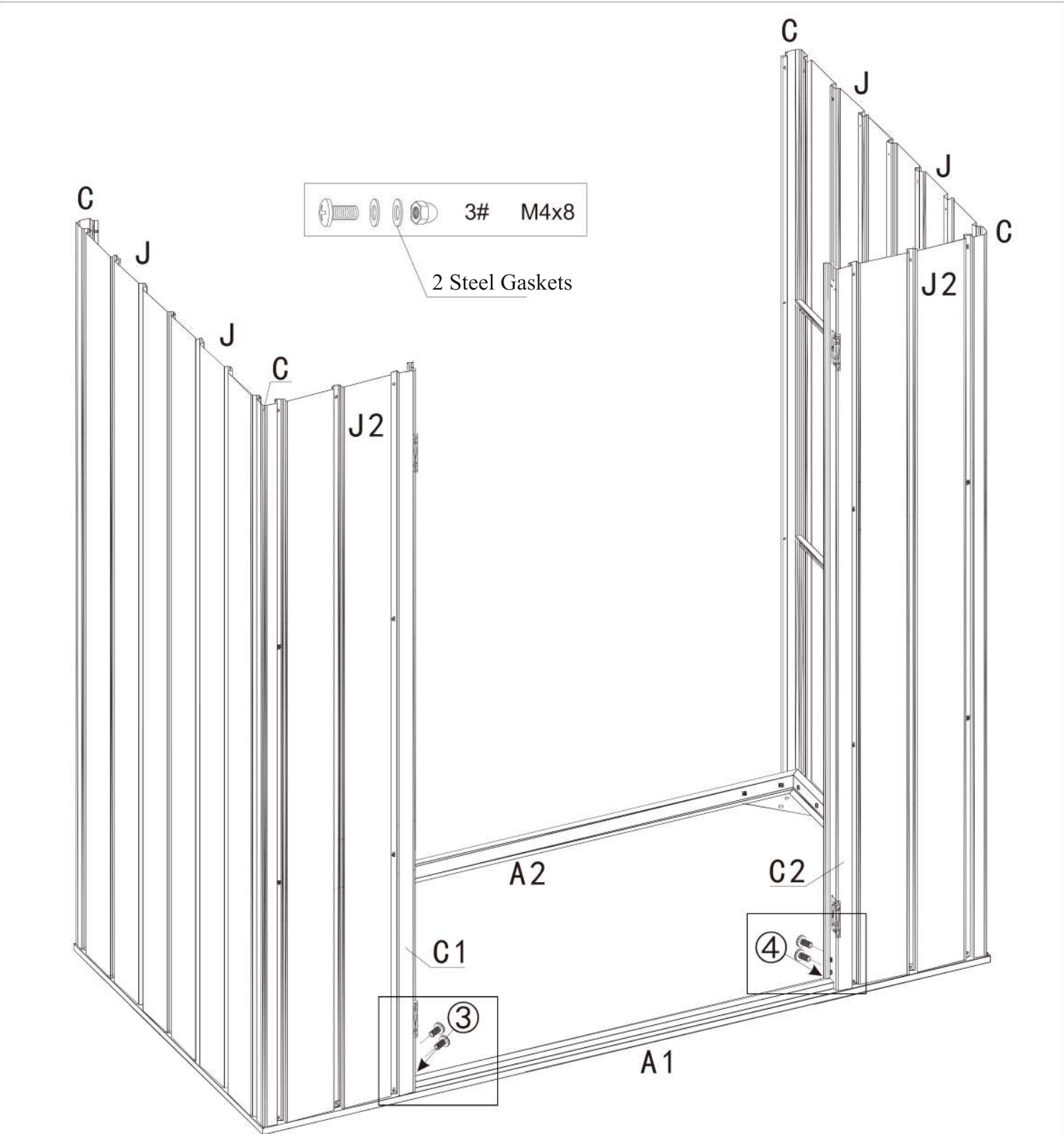


upside



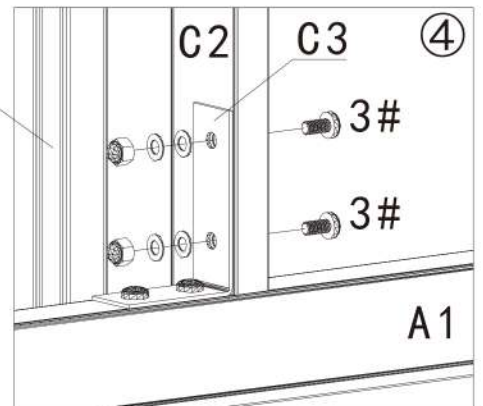
downside

After the above assembly you will see the SIDE WALL as shown in the picture. Repeat the above procedures to assemble the other SIDE WALL.



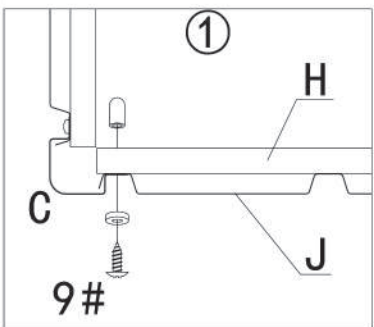
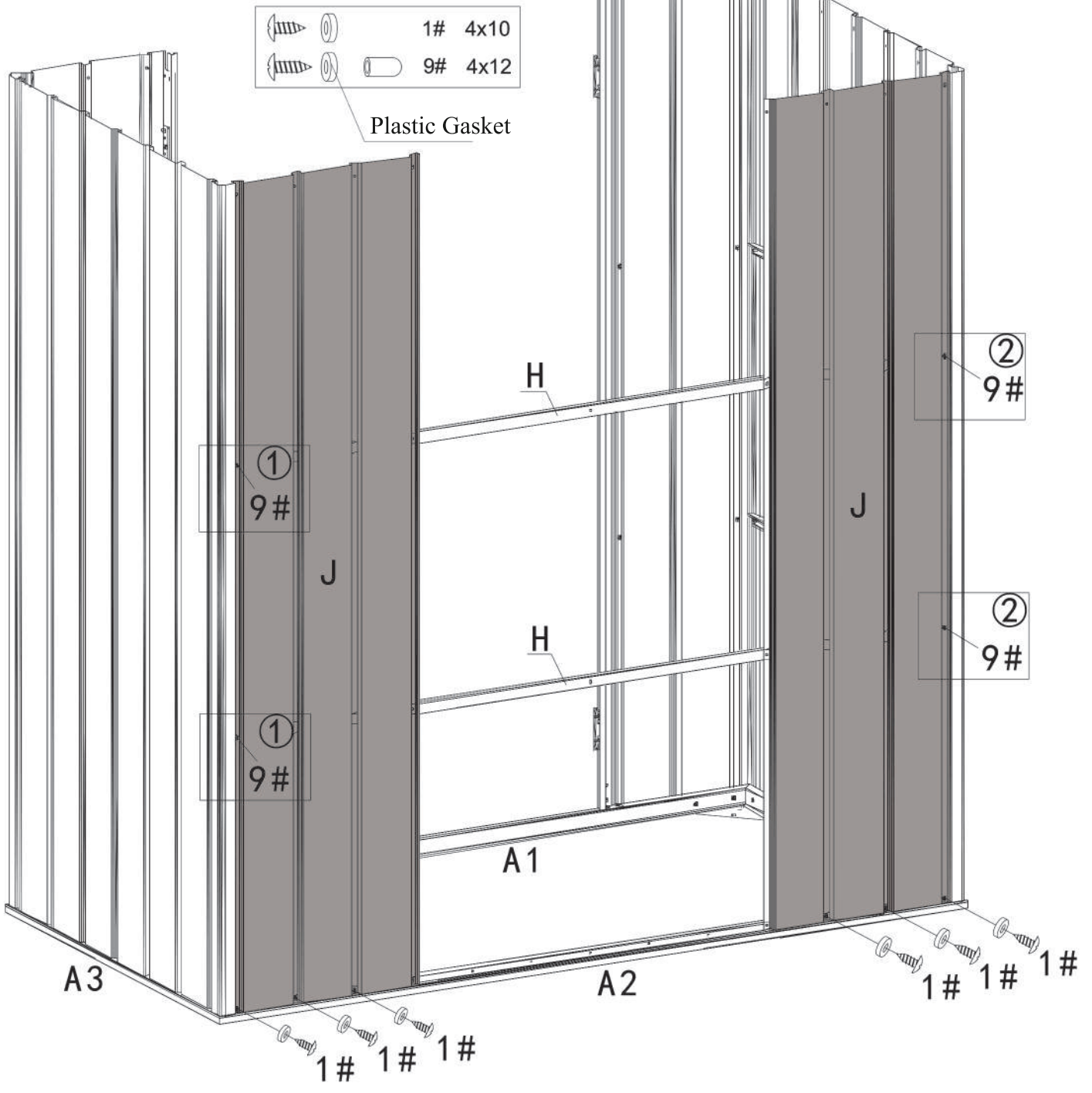
Inside View

Fix the part #C1/C2 to the part #A1/C3 with the screws 3#, the nut and gaskets are on the back side as shown in ③ ④.

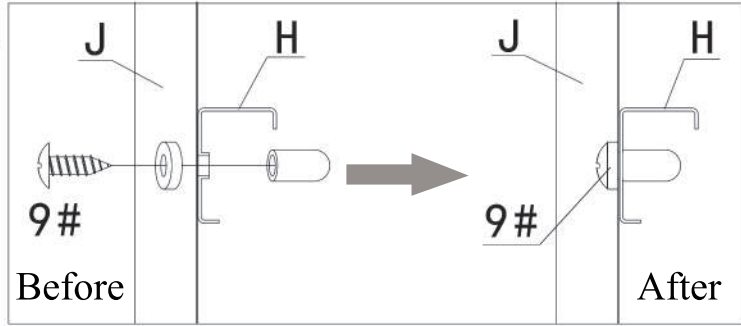
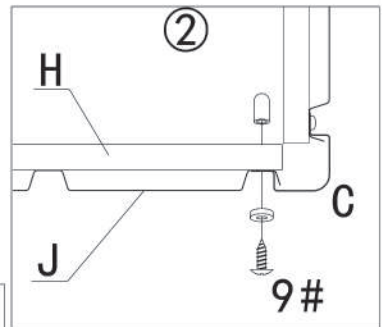


Inside View

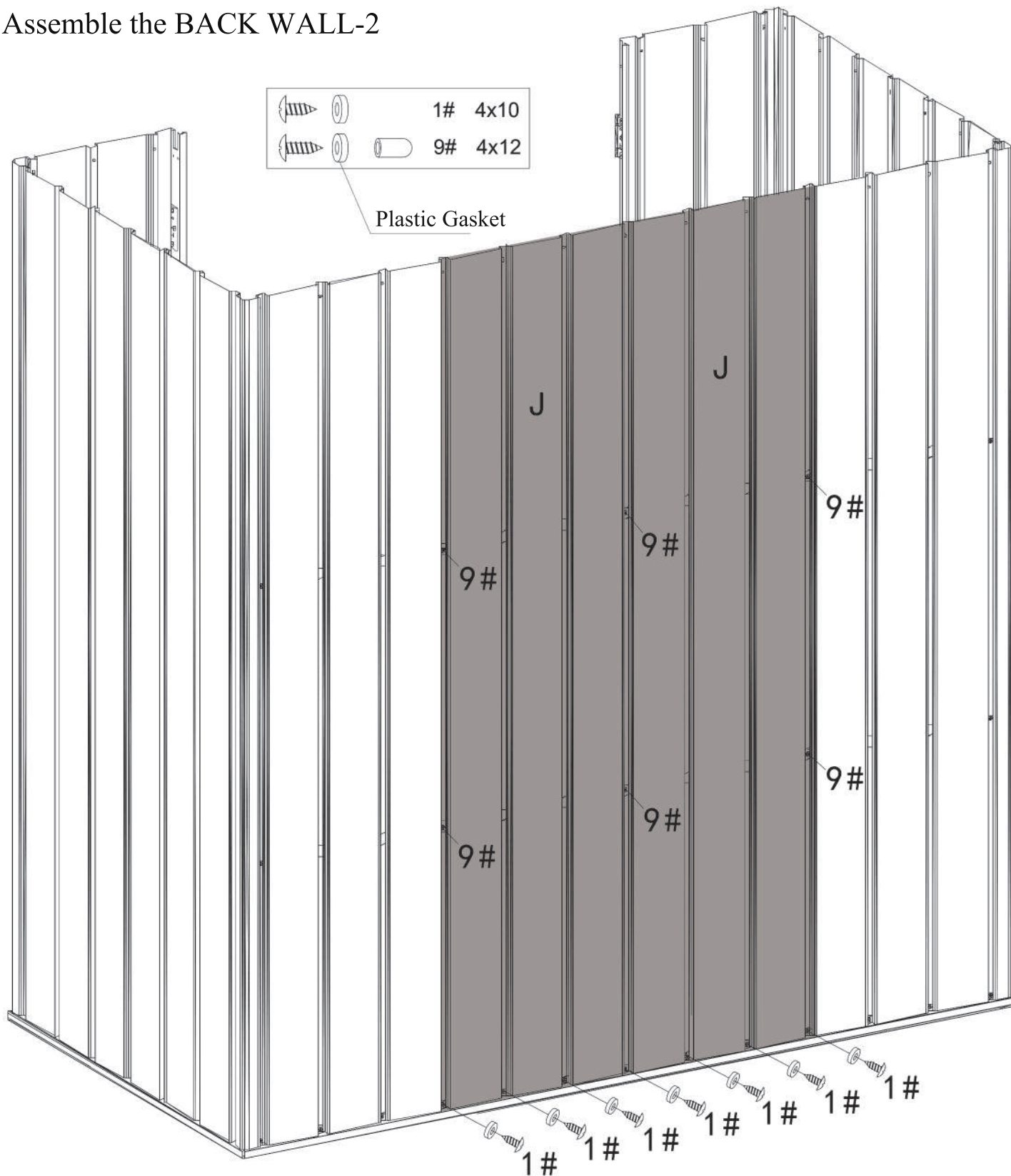
Assemble the BACK WALL-1



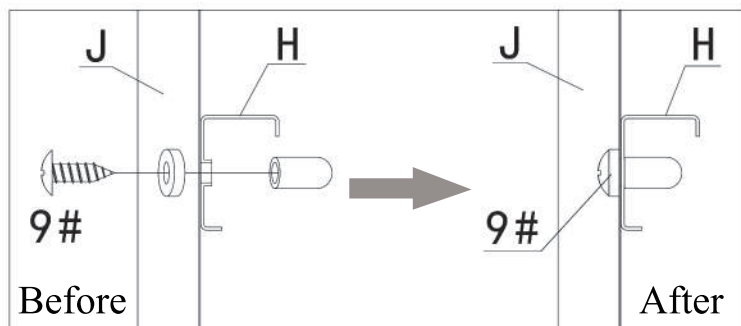
Installed the 2×part #J and 2×part #H as shown in ① ②.
Then attach to the bottom frame with the screws 1# and gaskets.



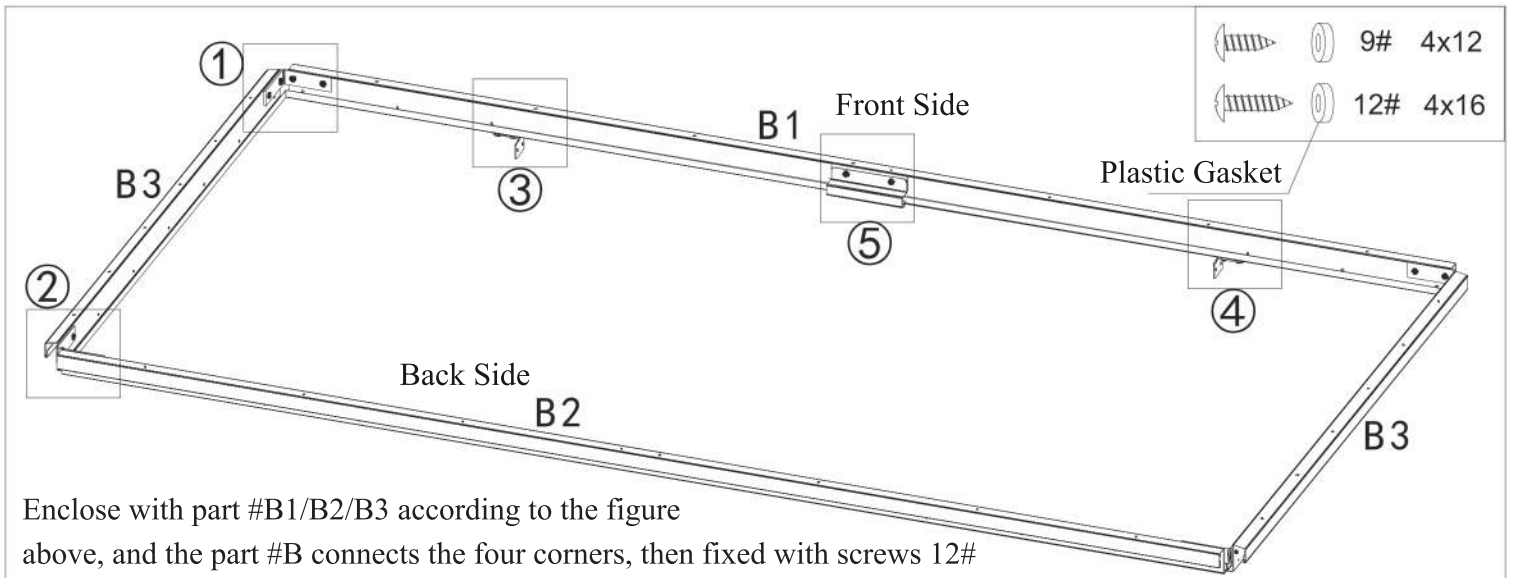
Assemble the BACK WALL-2



Install the 2 part#J: Use screws 1# and gaskets to fix them on the bottom frame.



Fix the part #H to part #J with screws 9# and gaskets, then put on the plastic caps.

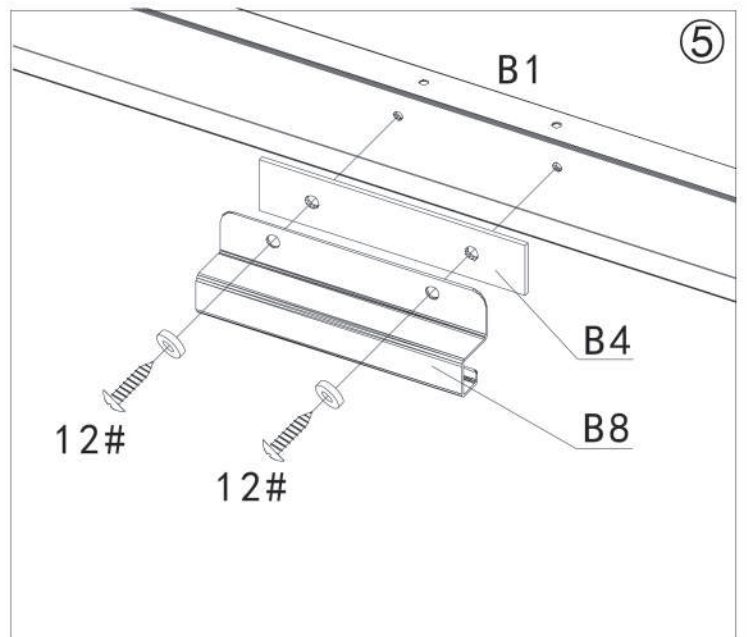
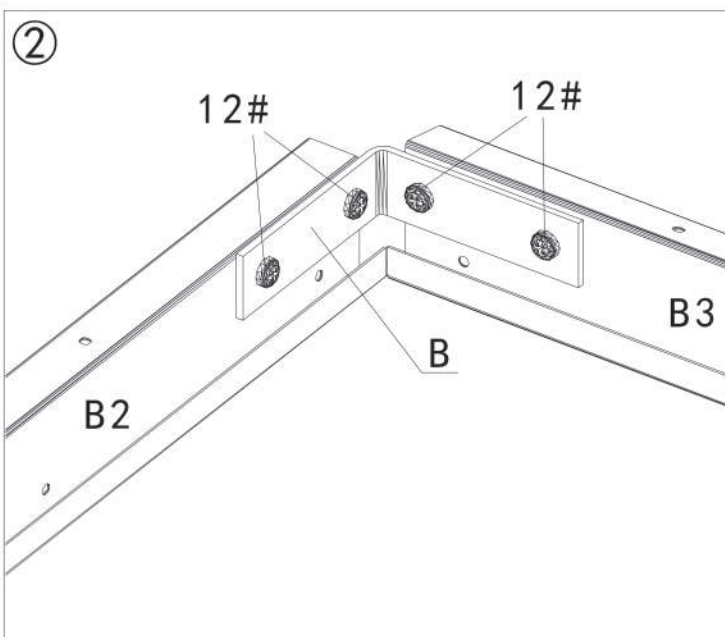
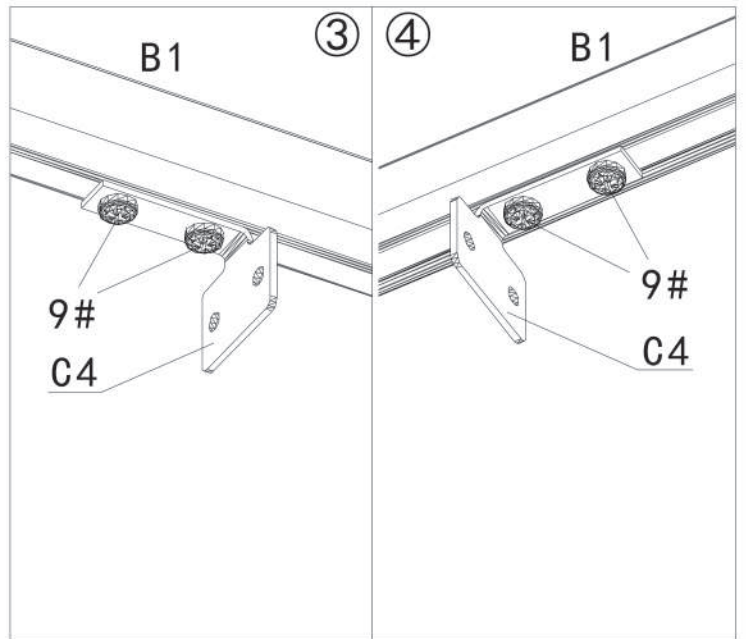
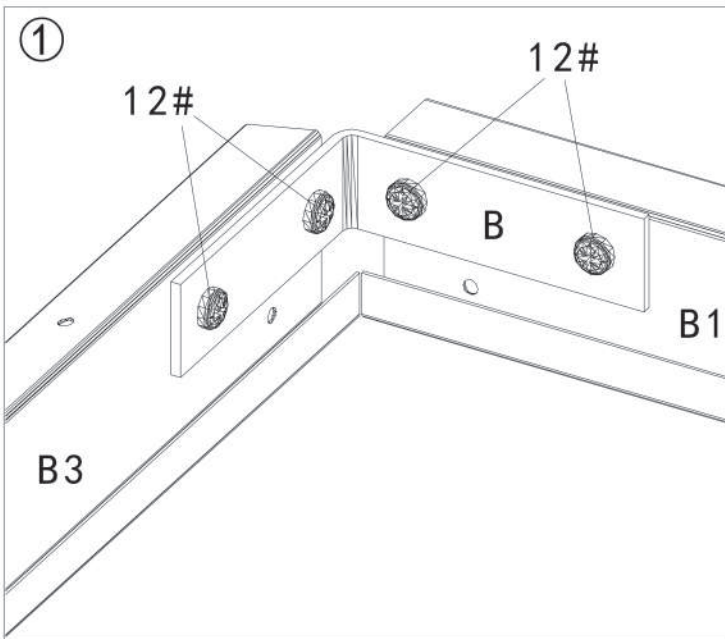


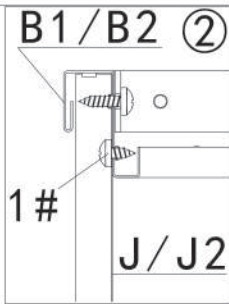
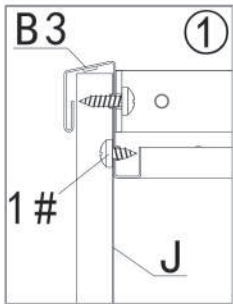
Enclose with part #B1/B2/B3 according to the figure above, and the part #B connects the four corners, then fixed with screws 12# and gaskets as shown in ① ②.

Fix the part #C4 as shown in ③ ④.

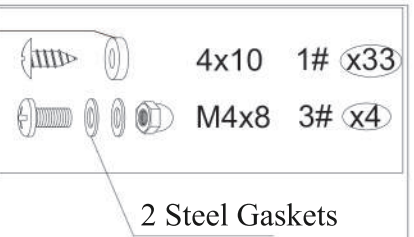
Fix the part #B4/B8 on the inside of part #B1 with screws 12# and gasket as shown in ⑤.

! You can also install the top frame on each wall separately.

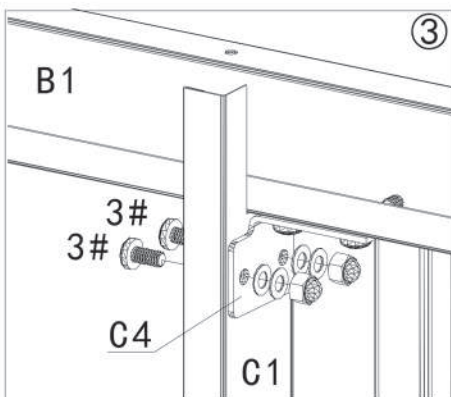
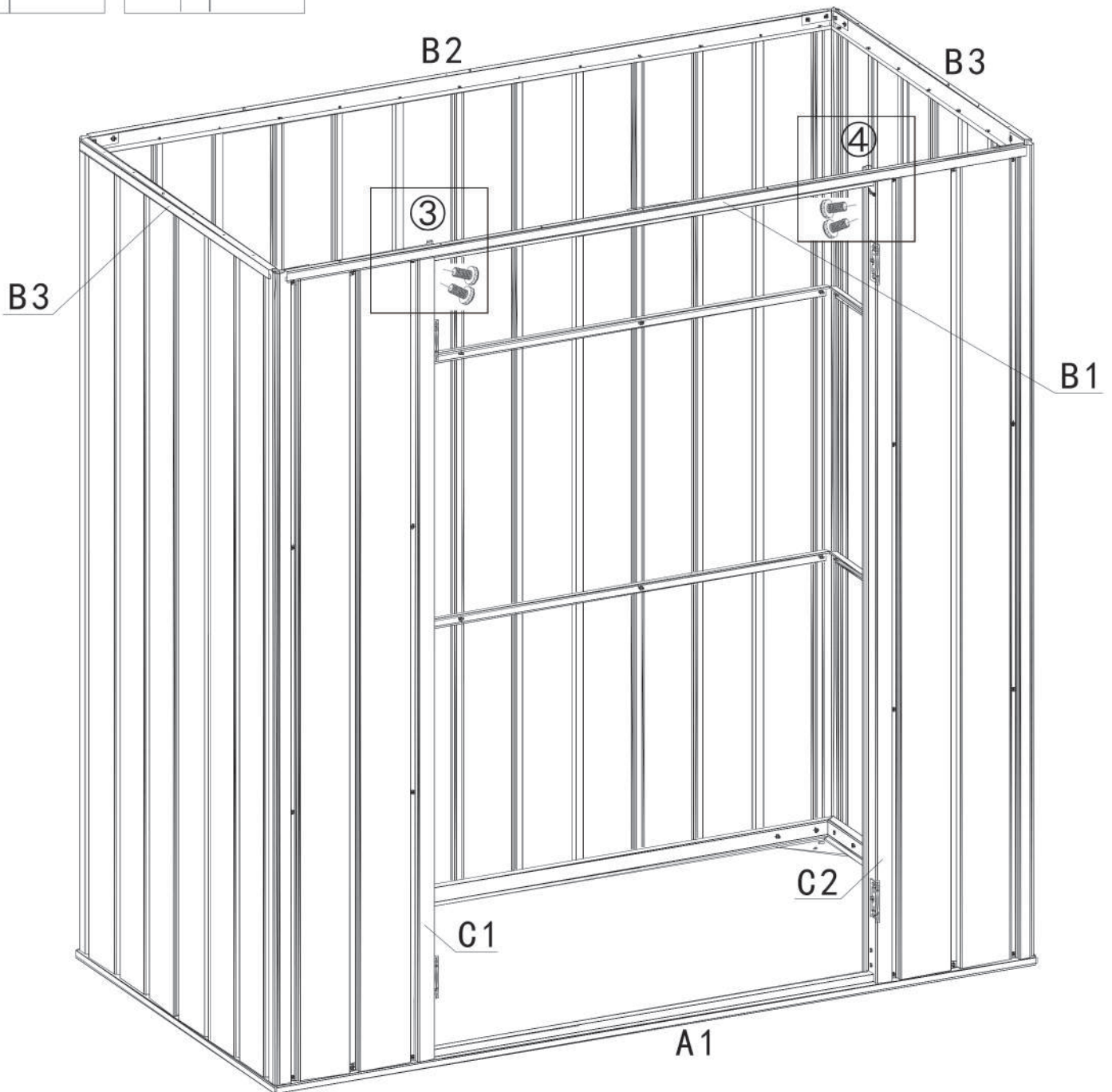




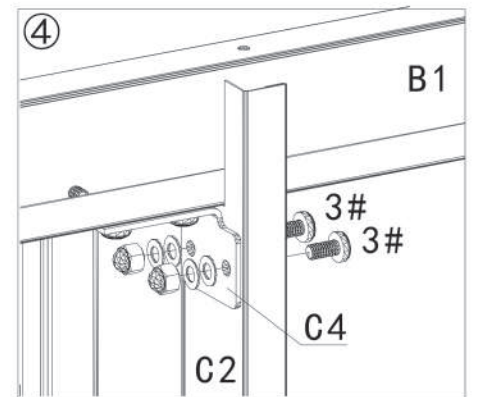
Plastic Gasket



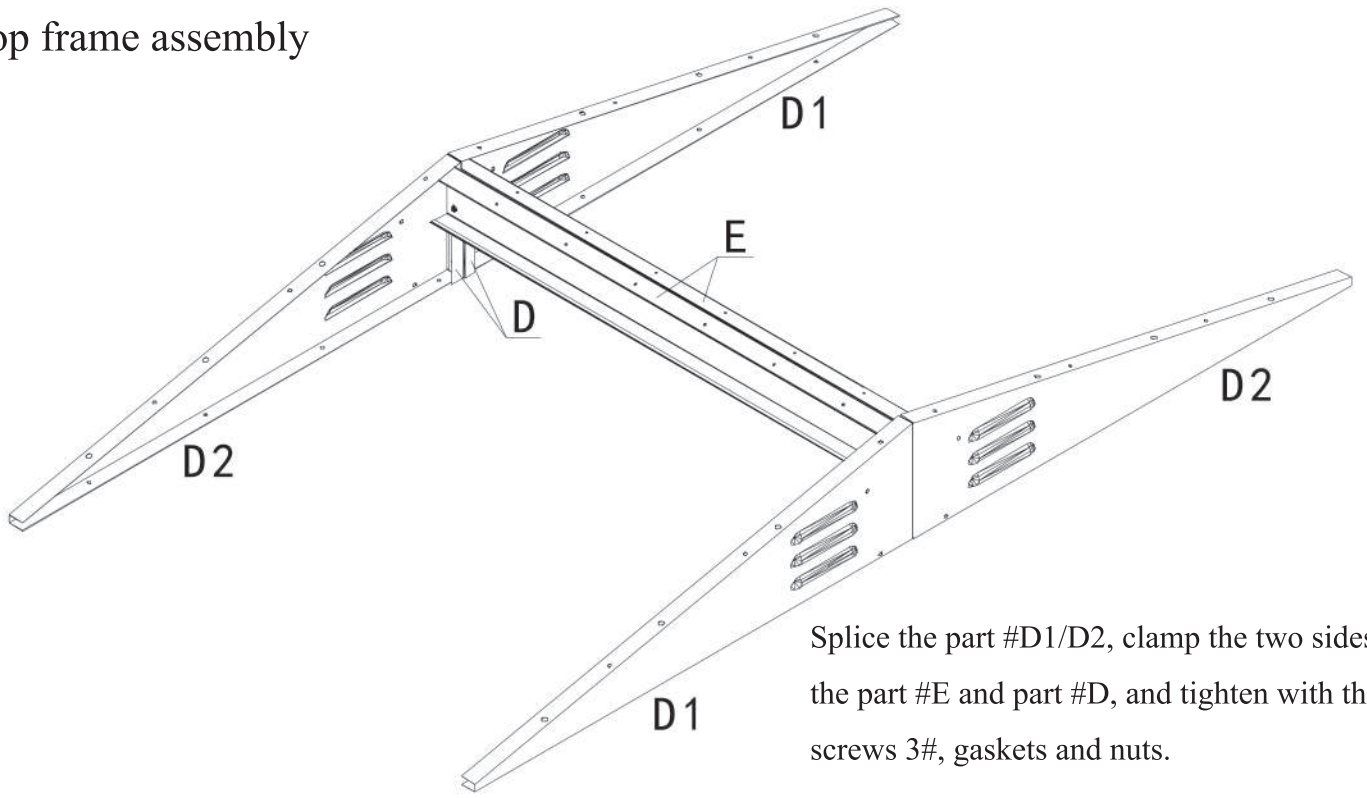
Place the assembled beam (B1/B2/B3) on the upper end of the wall panel, and fix with the screws 1# and gaskets as shown in ① ②.



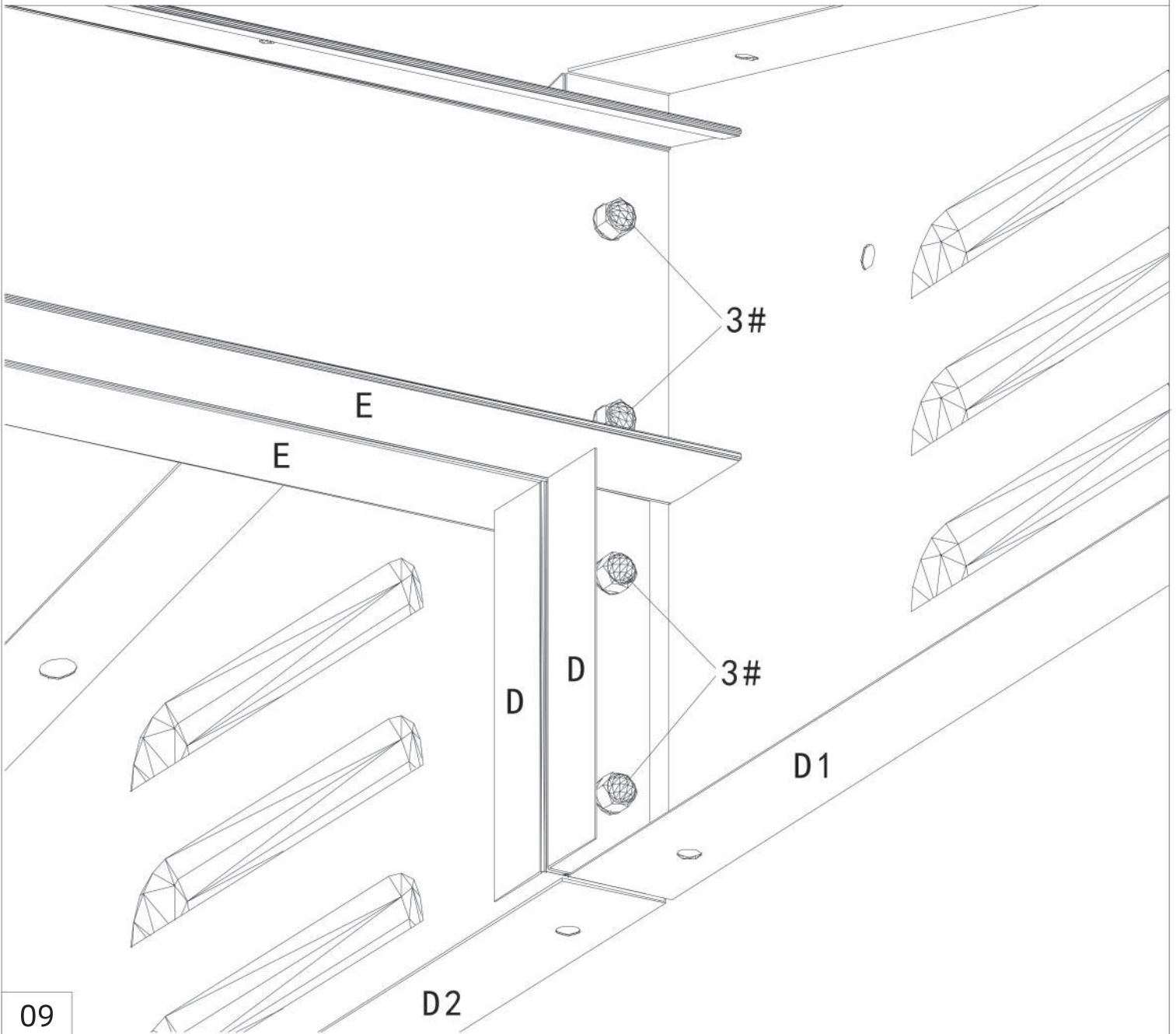
Fix the upper end of the part #C1/C2 with part #B1 and part #C4 by using screws 3#, the nut and gaskets are on the back side as shown in ③ ④.



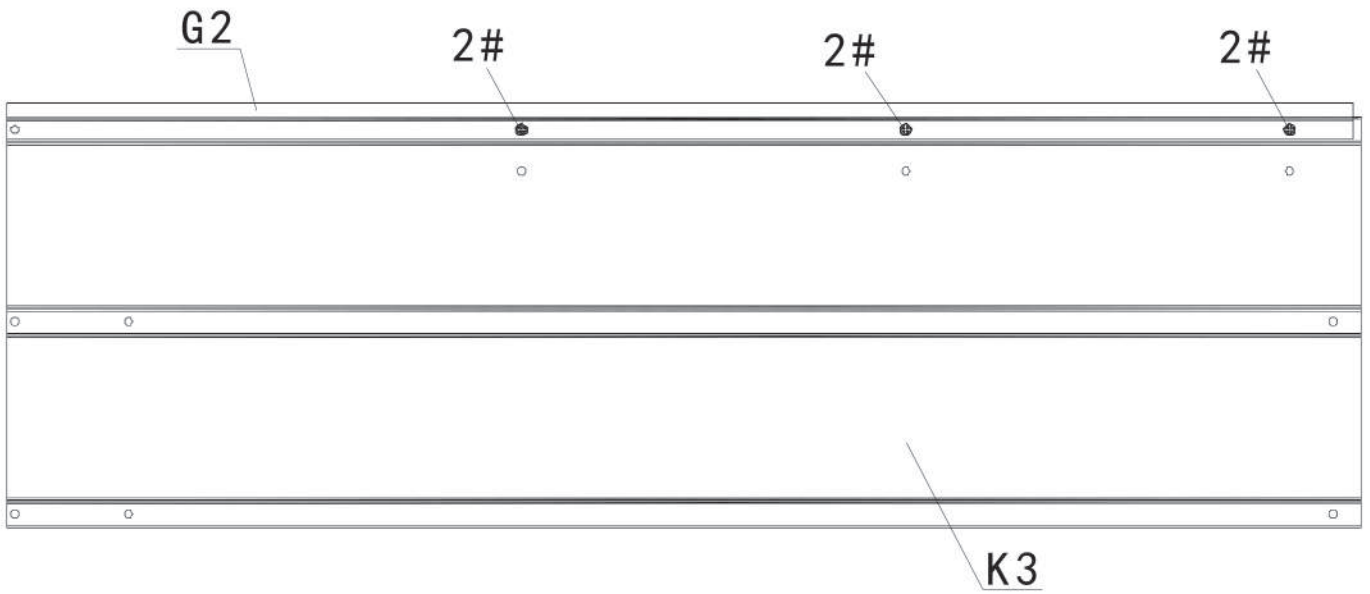
Top frame assembly



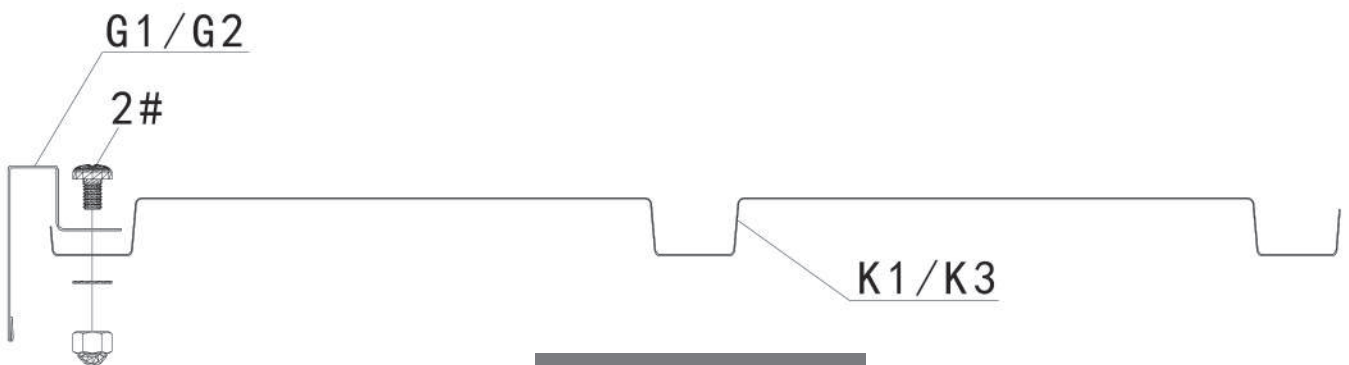
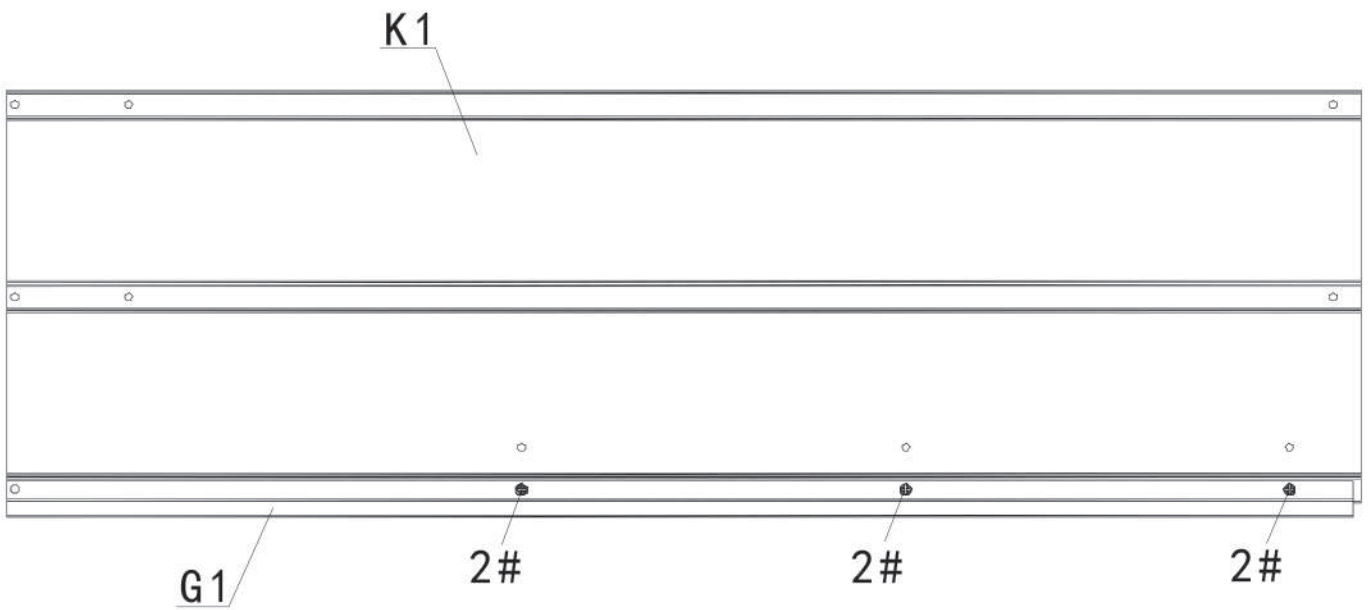
Splice the part #D1/D2, clamp the two sides of the part #E and part #D, and tighten with the screws 3#, gaskets and nuts.



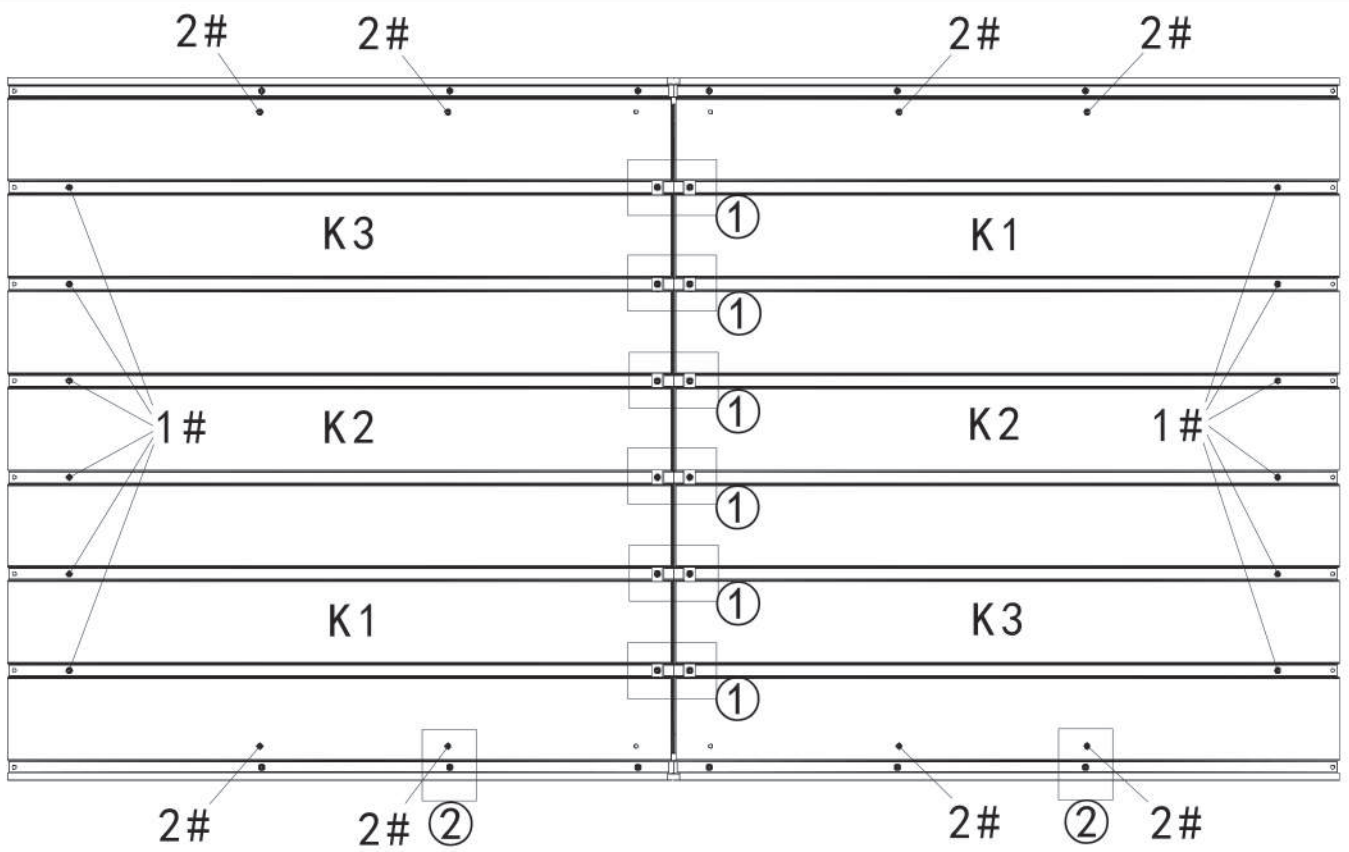
Assemble the TOP ROOF



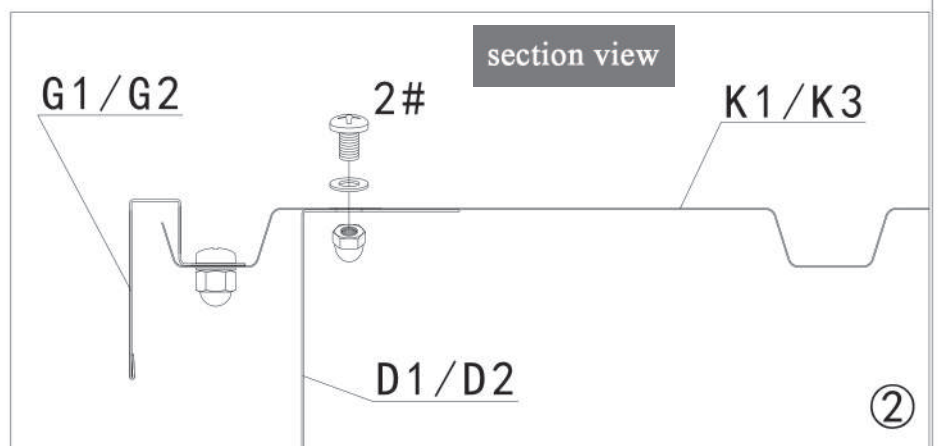
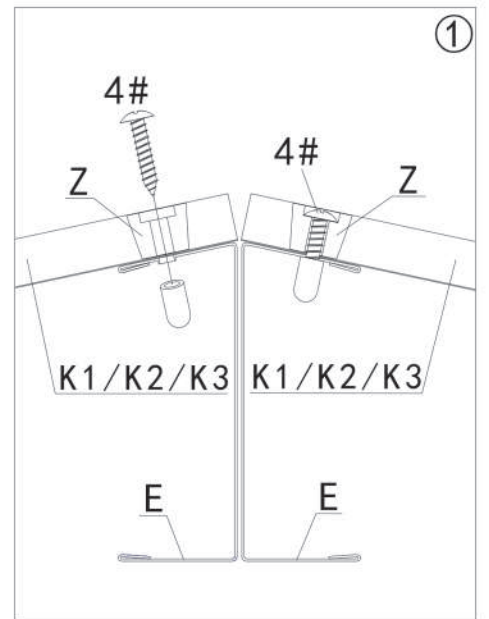
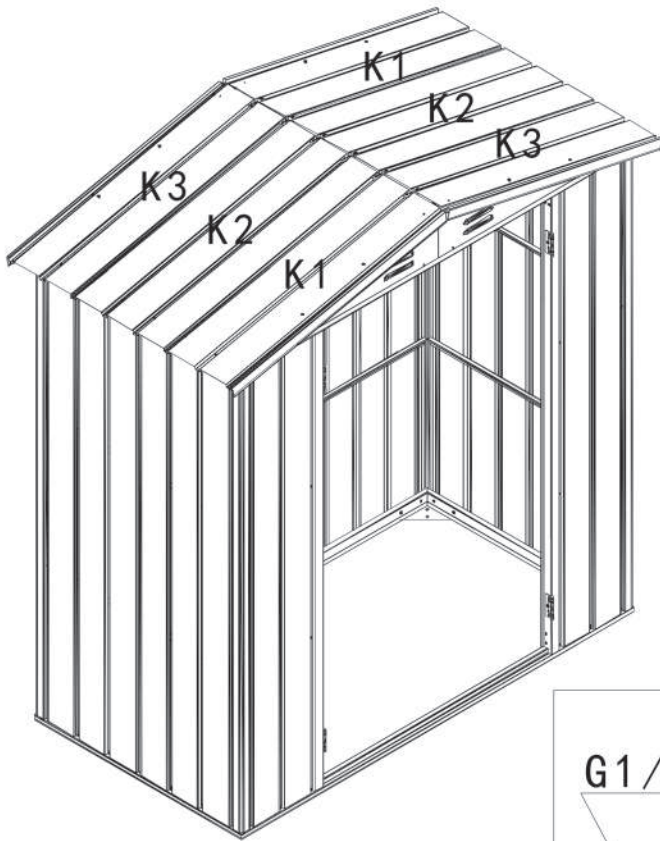
Assemble the part #G1/G2 to the one side of part #K1/K3 with screws 2#, gaskets and nuts.



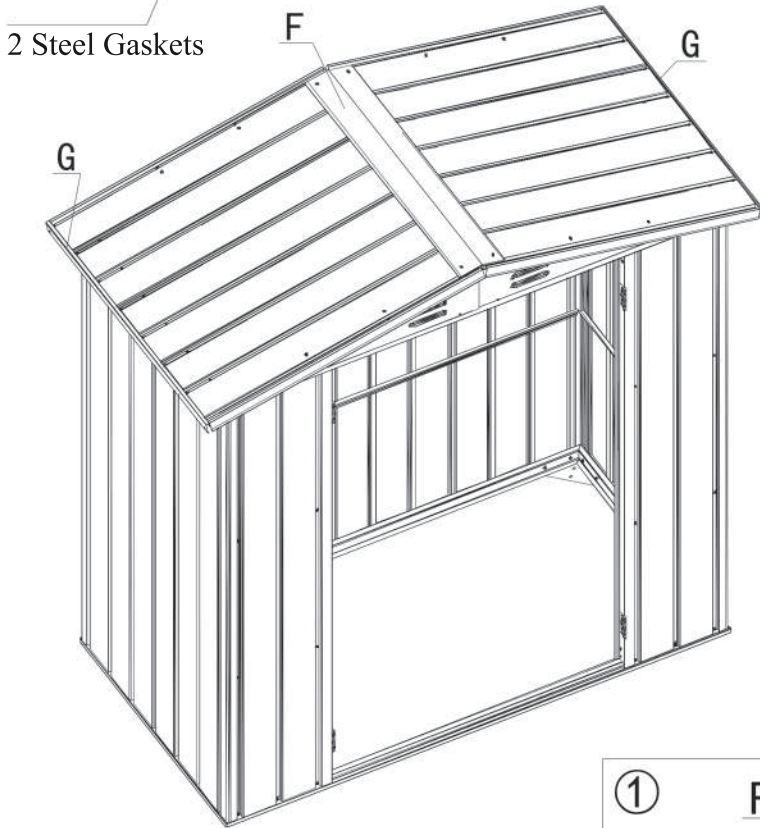
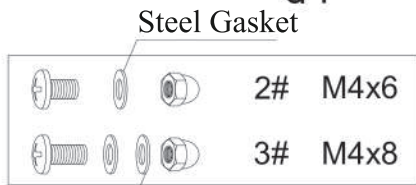
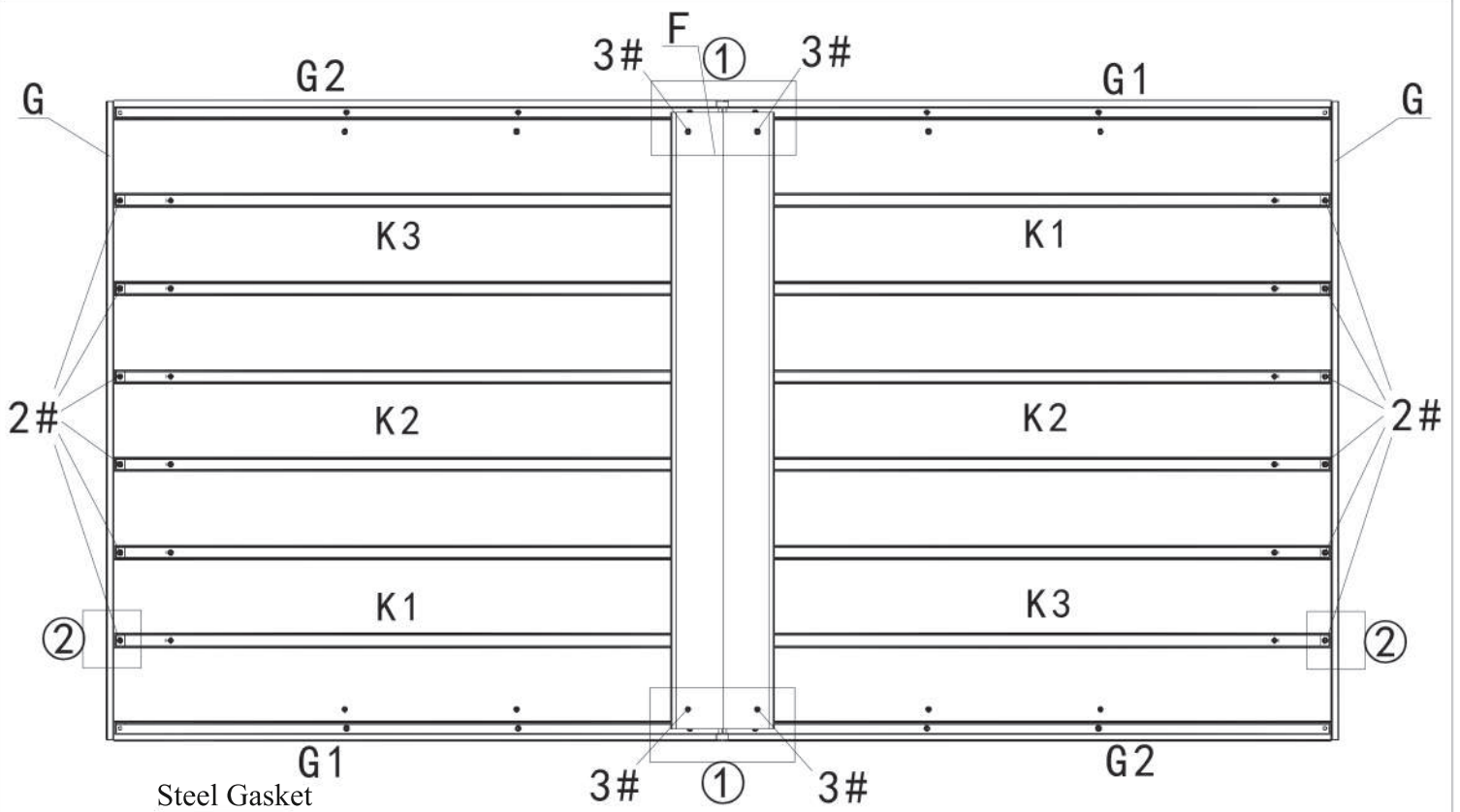
section view



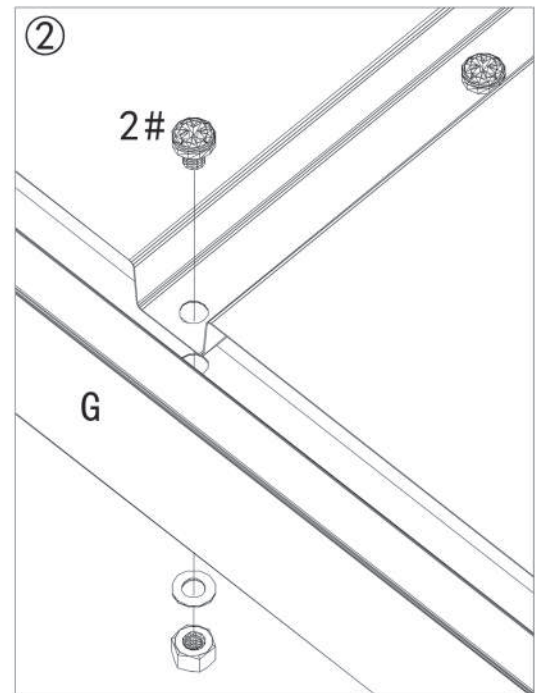
The roof panel part #K1/K2/K3 is laid in order; Part #Z shall be inserted at the fixed position of top beam and top roof to prevent rainwater intrusion as shown in ①; the roof panel K1/K3 is fixed with G1/G2 & D1/D2 by using screws 2#, gaskets and nuts as shown in ②, then fix with screw 1# and gaskets to side frame beam.



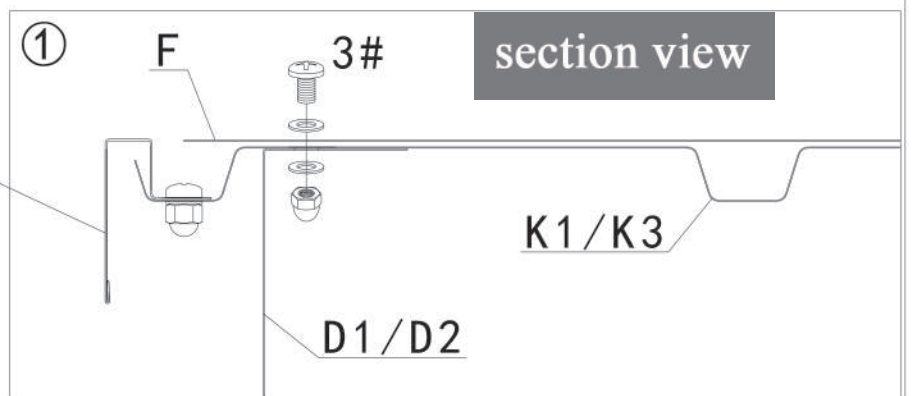
Plastic Gasket		Steel Gasket	
	1#		4x10
	2#		M4x6
	4#		4x20

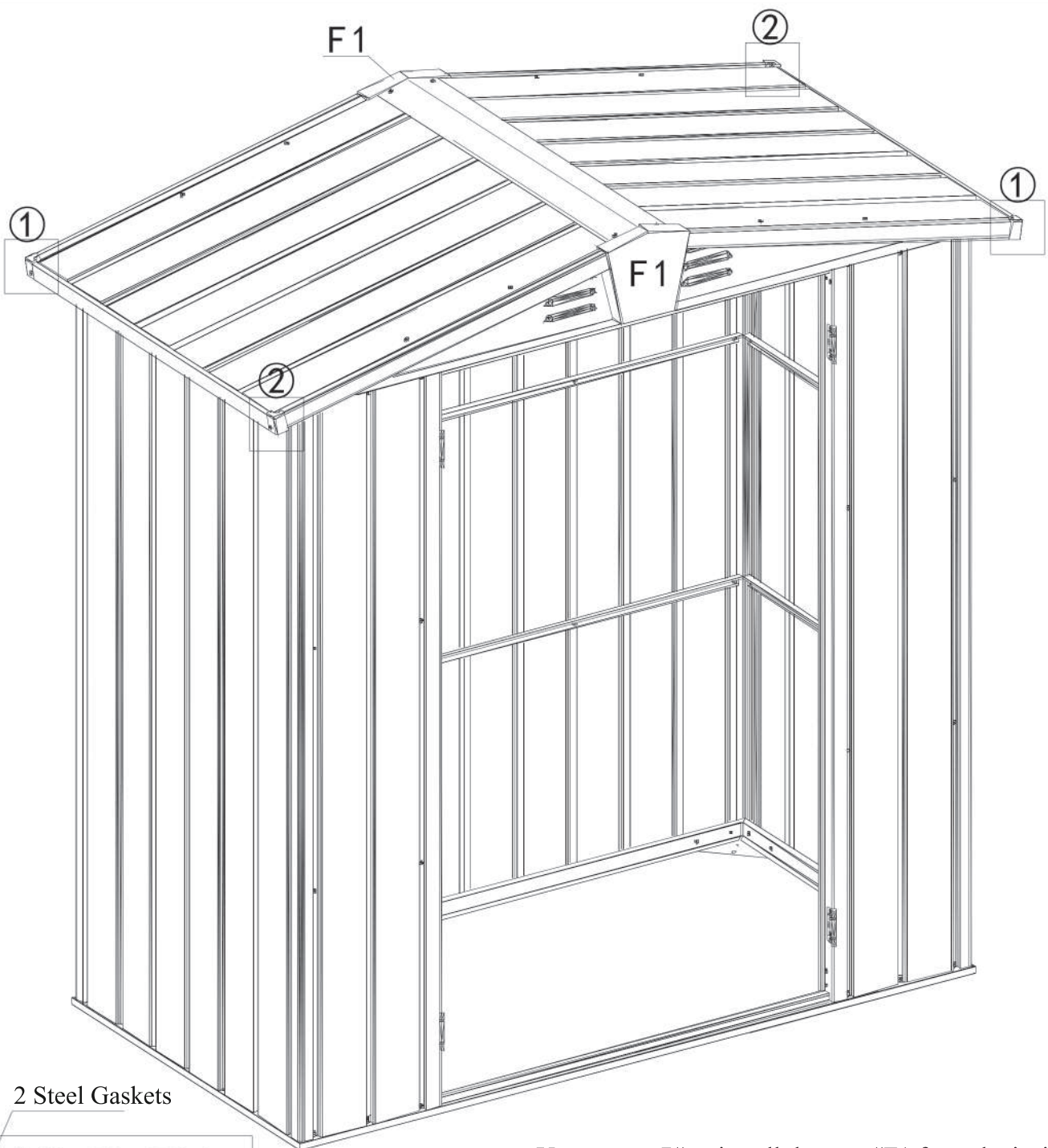


2. Plug part #G as shown in ②.



1. Install the part #F: Secure both ends of part #F to the part #K1/K3 and part #D1/D2, as shown in ①.

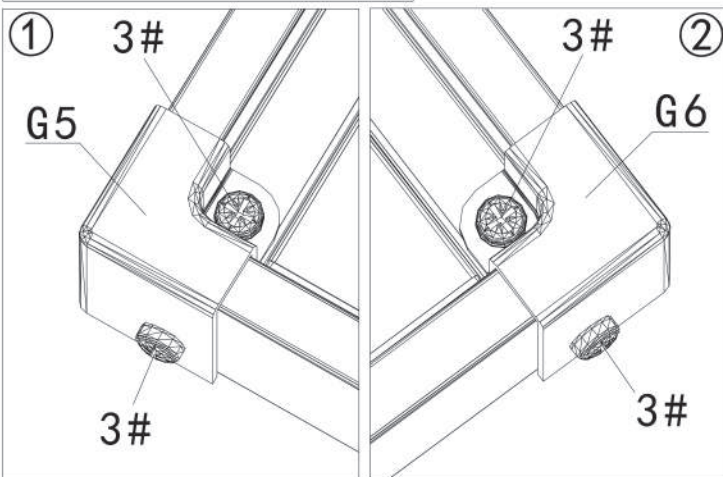




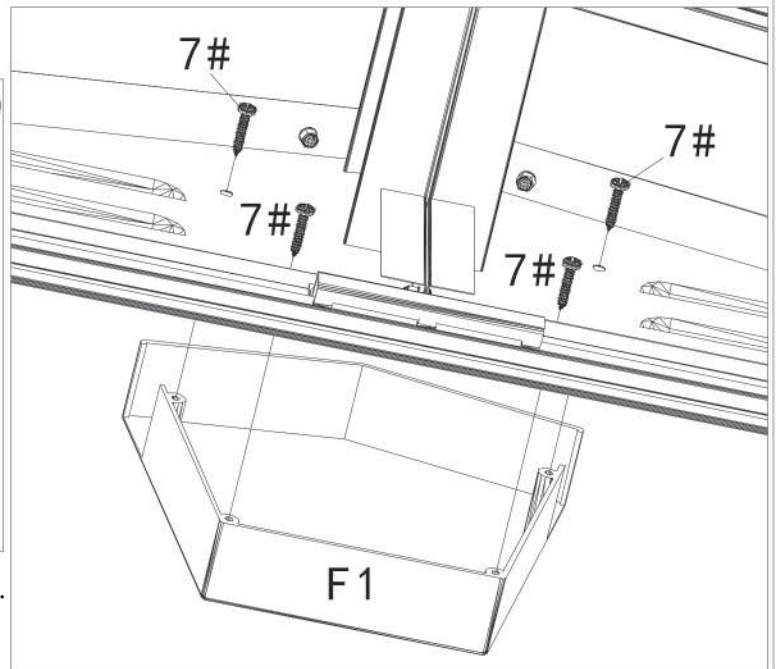
2 Steel Gaskets

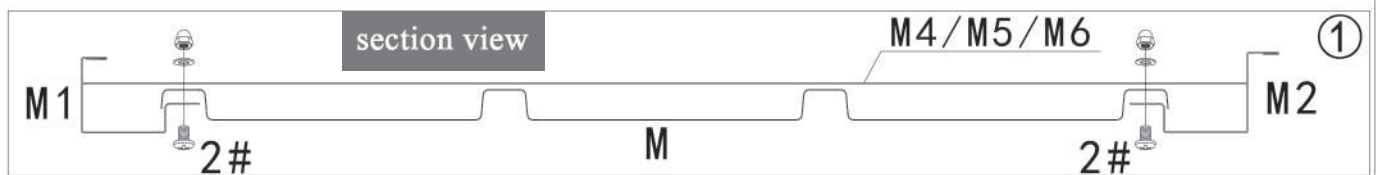
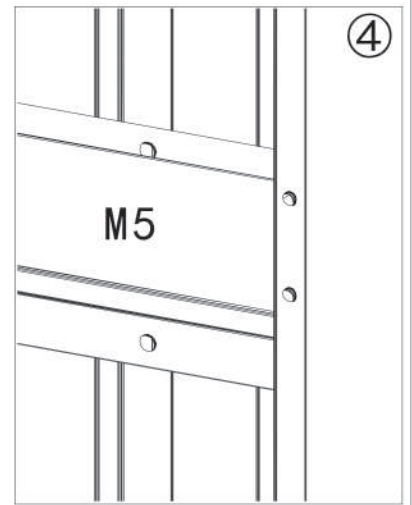
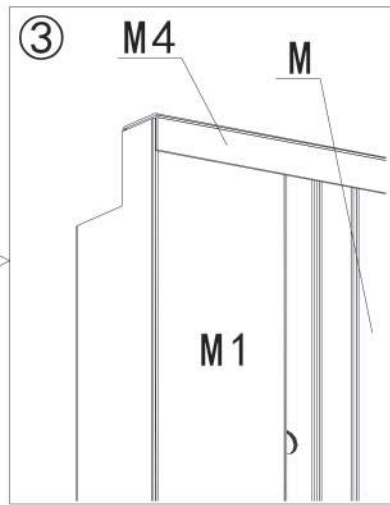
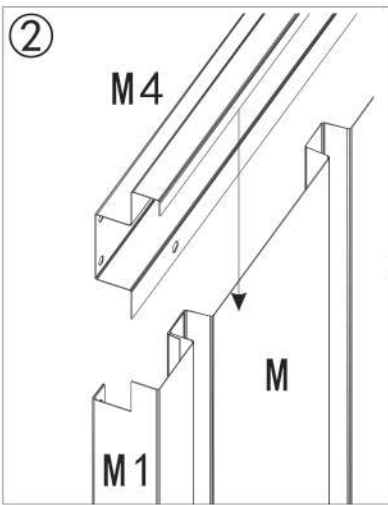
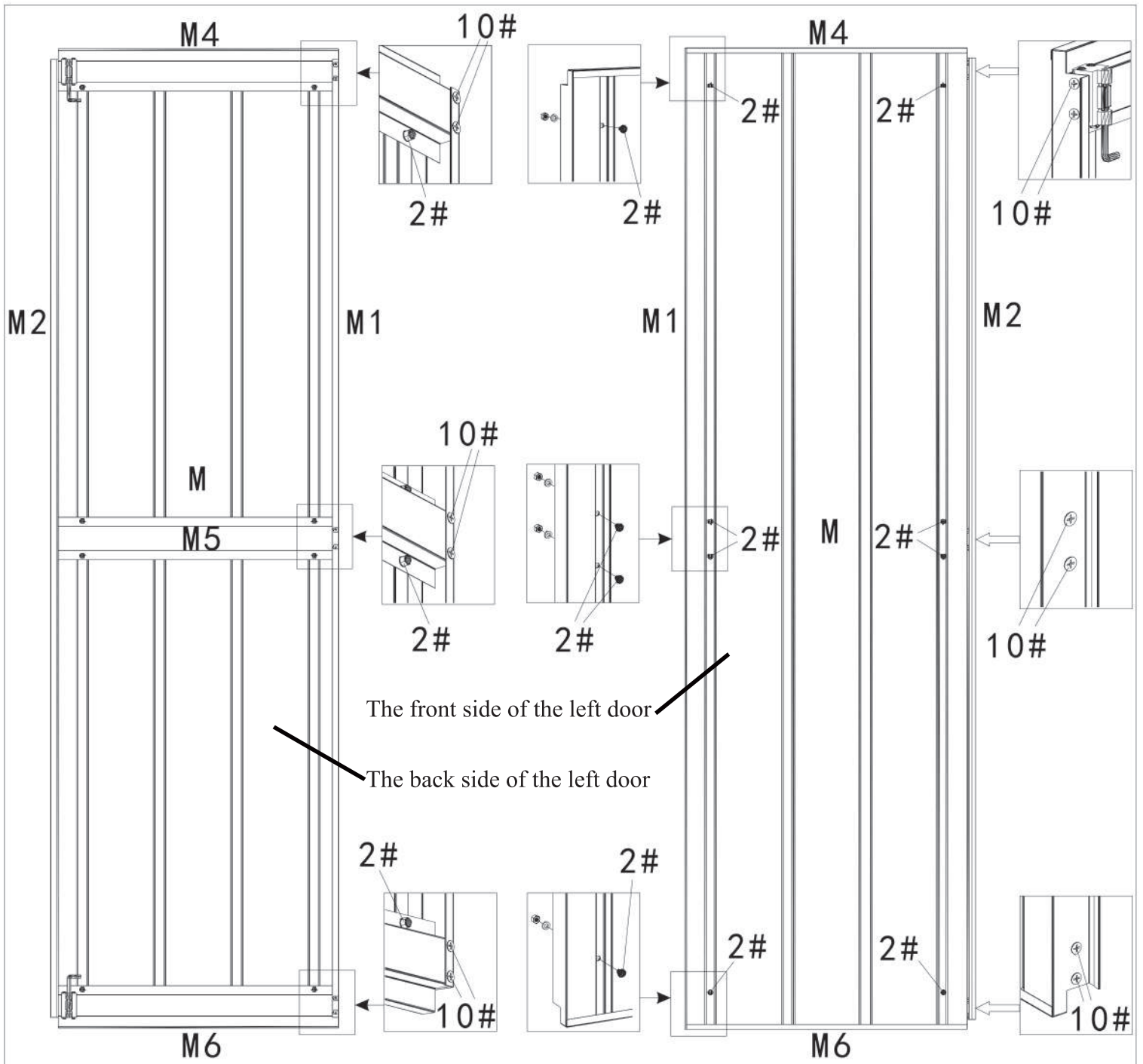


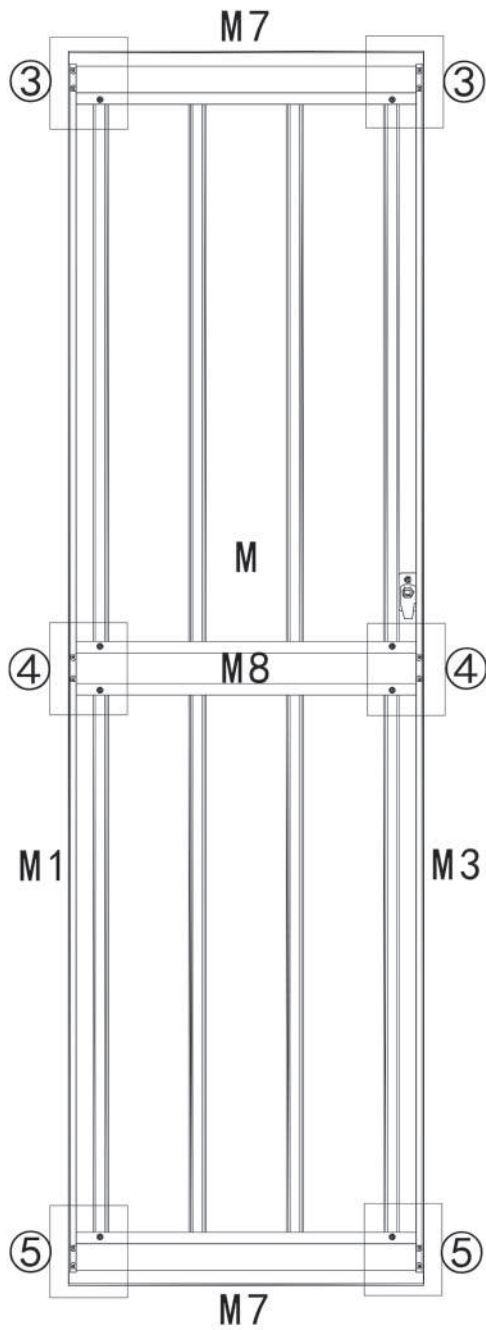
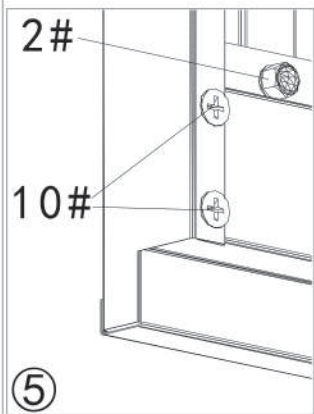
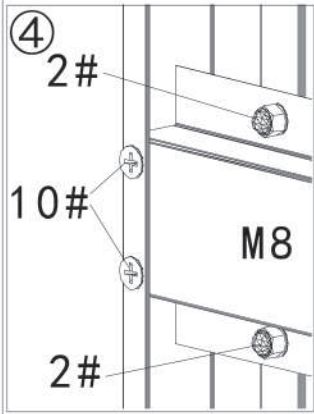
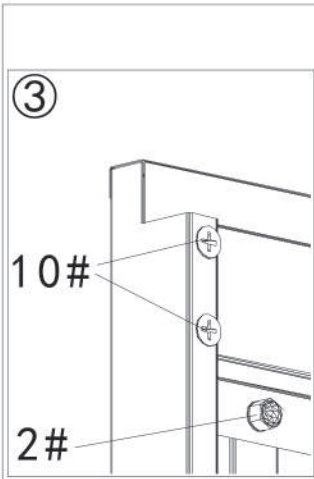
Use screws 7# to install the part #F1 from the inside.



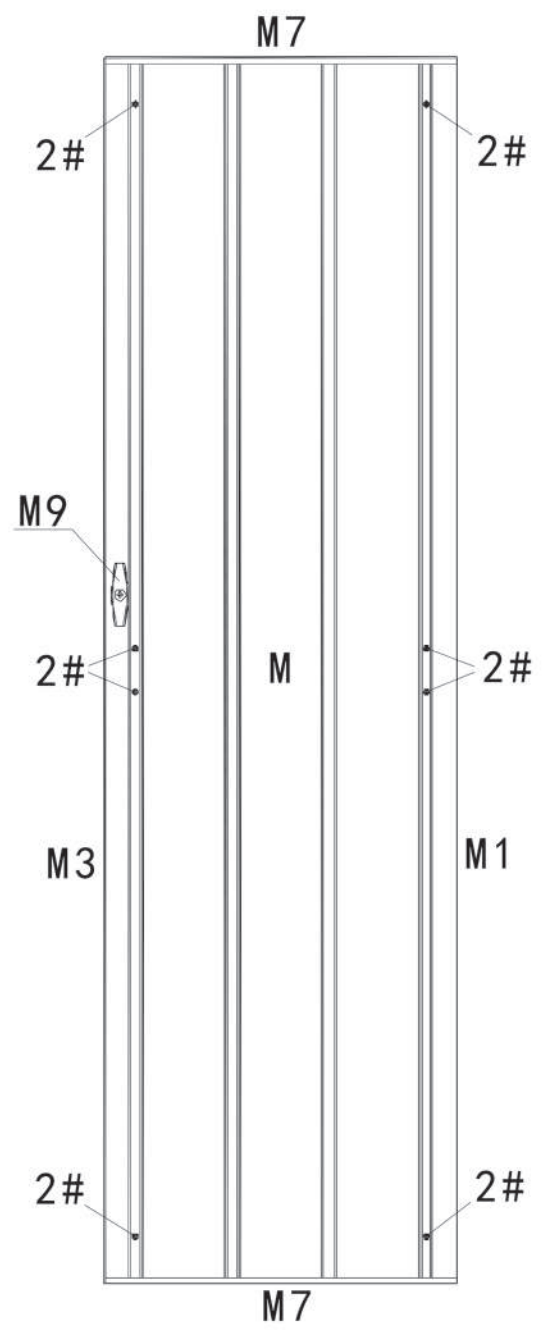
Install the part #G5/G6 with screws 3#, gaskets and nuts.



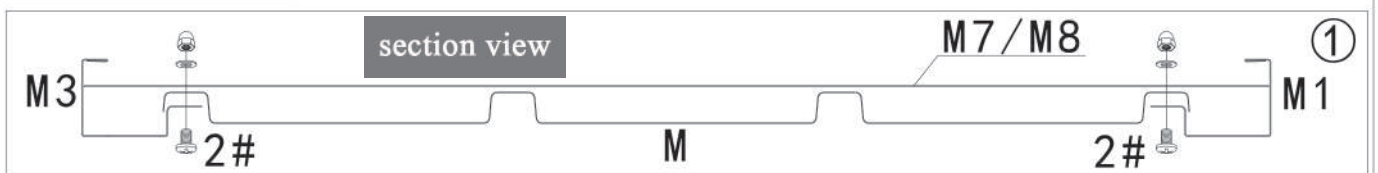
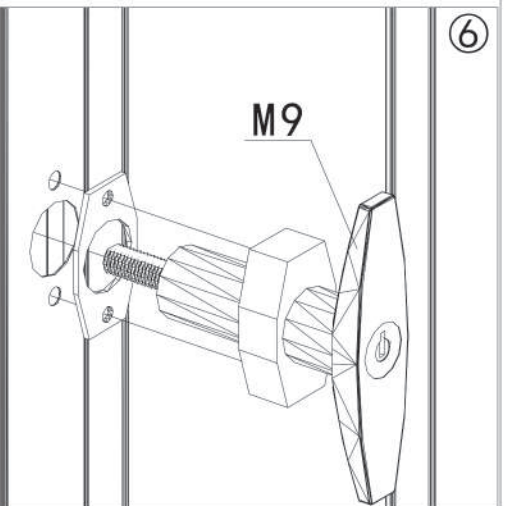
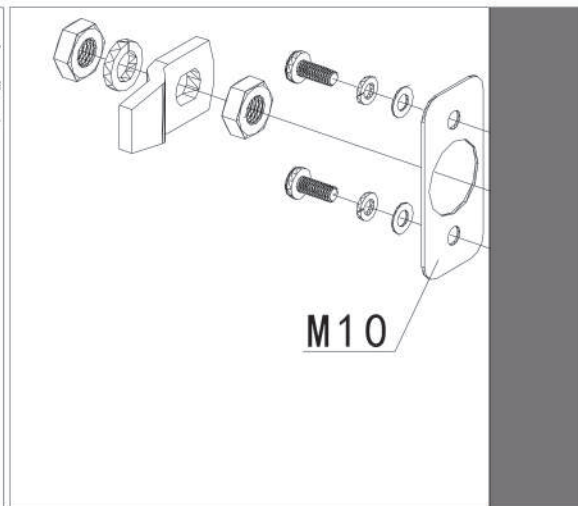
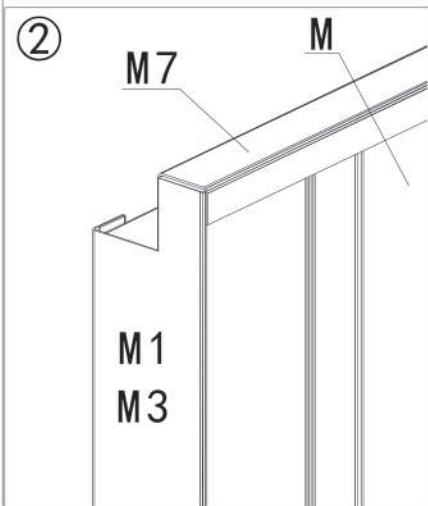




The front side of the right door



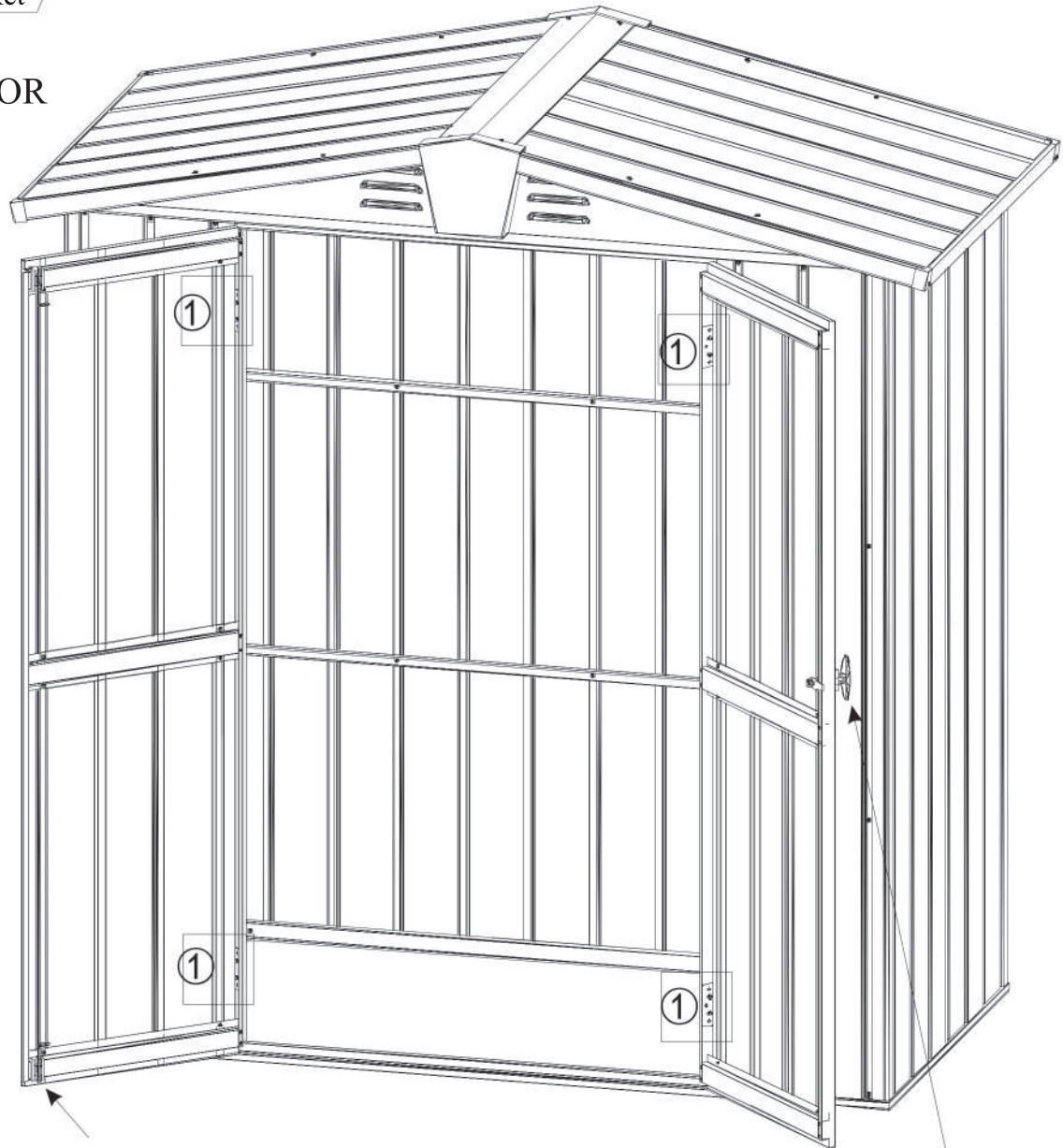
The back side of the right door



Y(x4) 8#(x8)

Steel Gasket

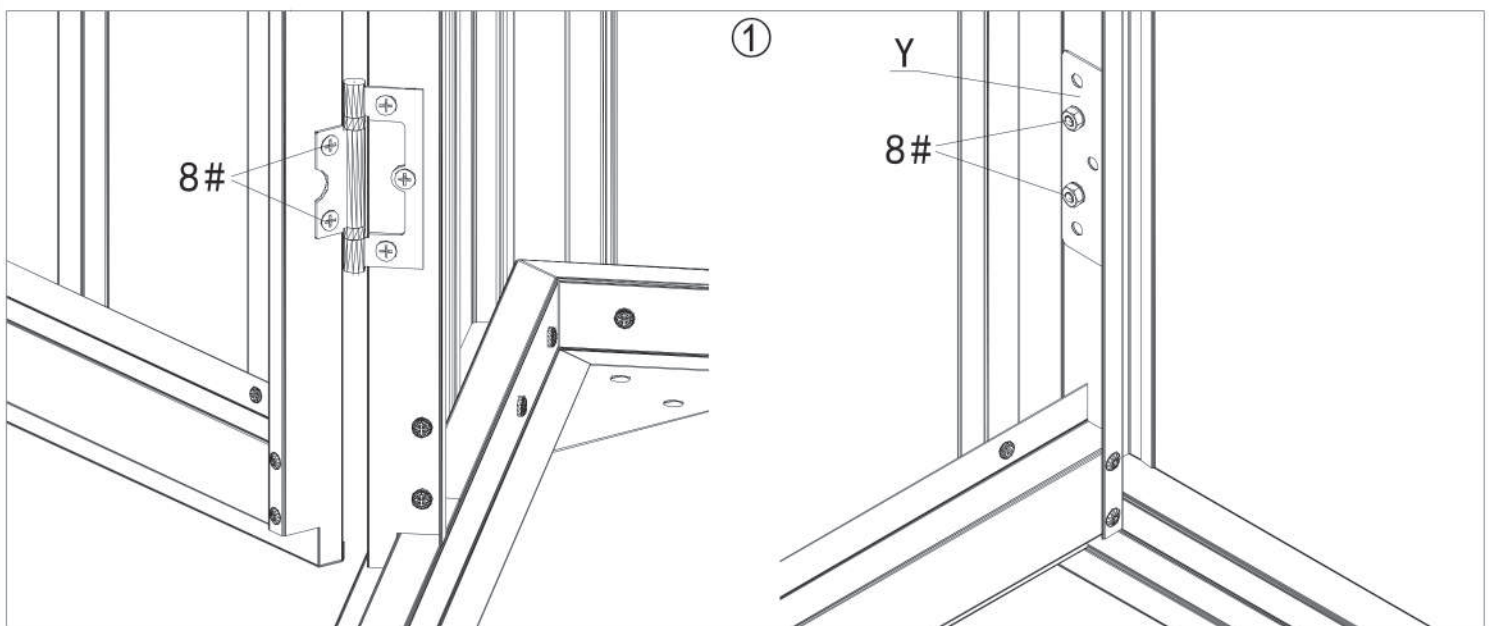
Install the DOOR

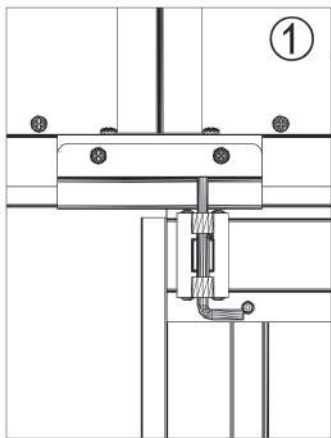
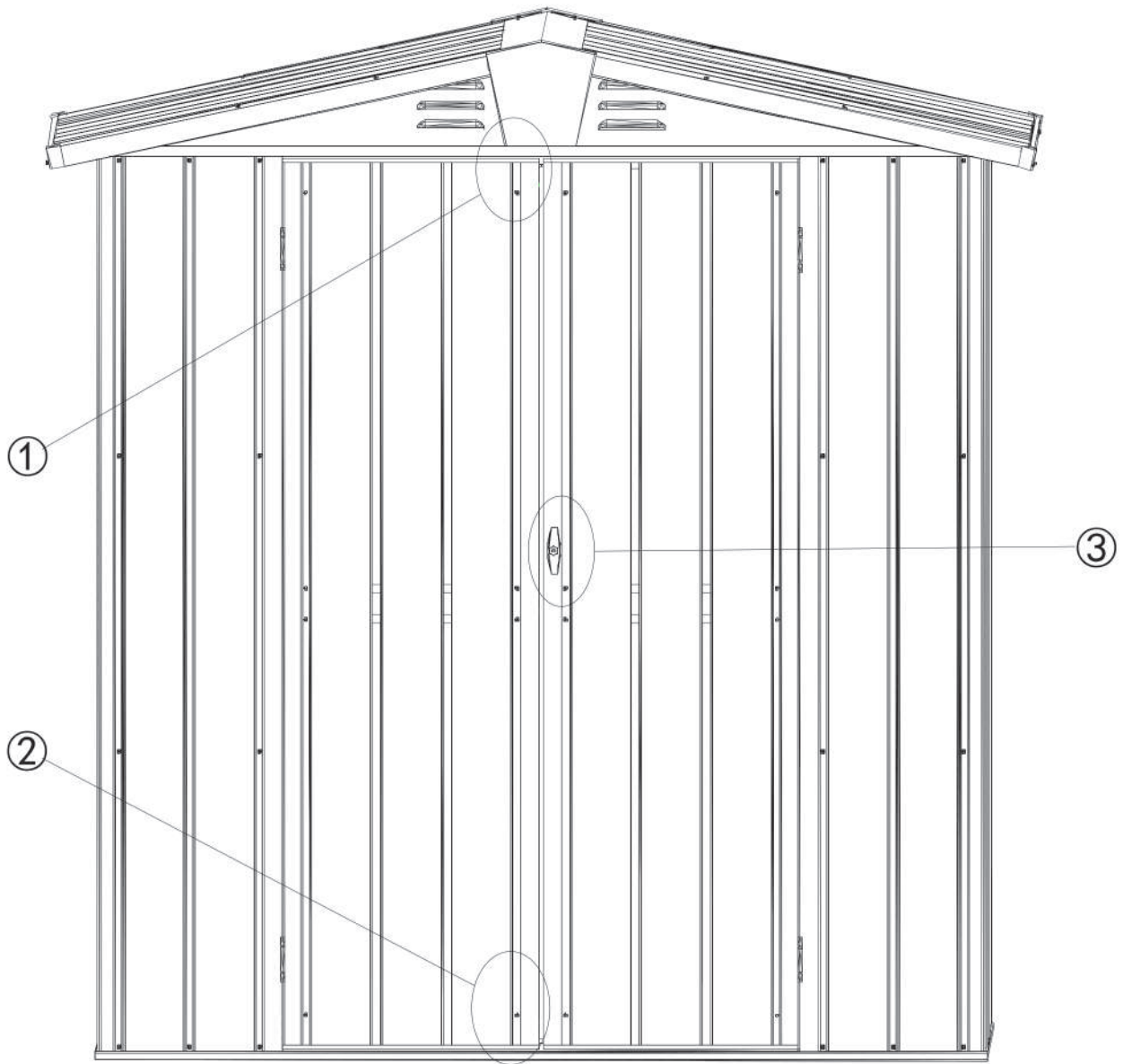


There is a bolt on the left door

There is a handle on the right door

Fix the hinge (part #Y) to the left/right door by screws 8#, gaskets and nuts as shown in ①.

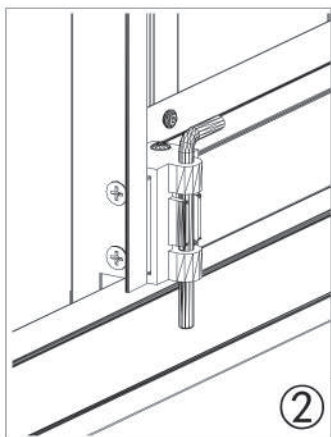




① Insert the bolt and lock the door

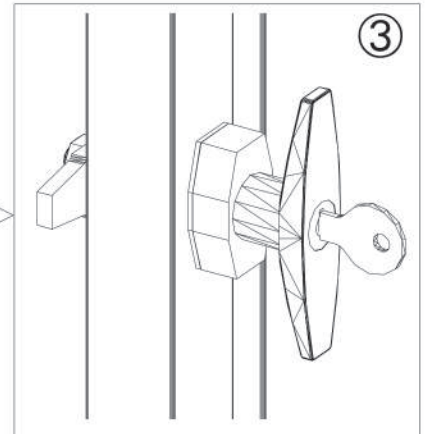
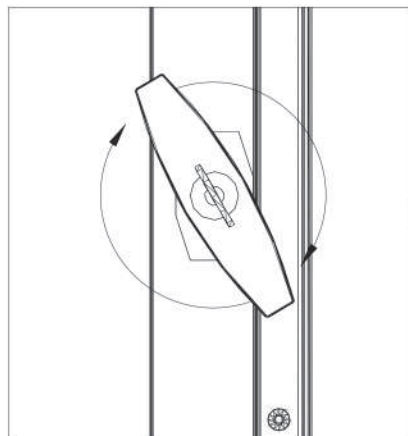
Open the door: insert the key, rotate 180° counterclockwise, and rotate the handle counterclockwise to open the door.

Lock the door: close the door, insert the key, rotate the handle clockwise, then rotate the key 180° clockwise and pull the key out.



②

Insert the bolt and lock the door



③