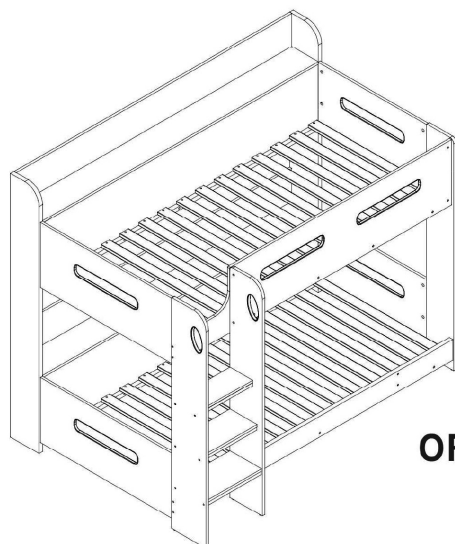


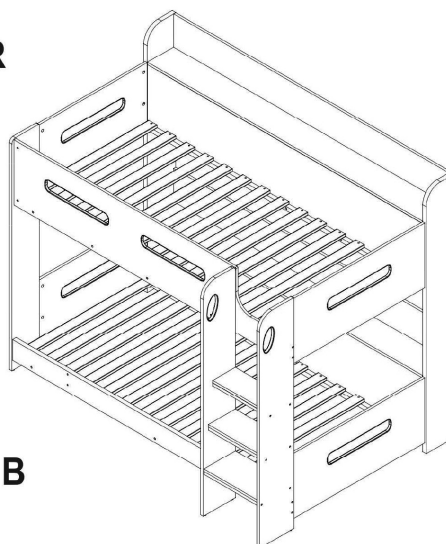
**IMPORTANT  
KEEP FOR FUTURE REFERENCE & READ CAREFULLY**

# **BUNK BED 01**

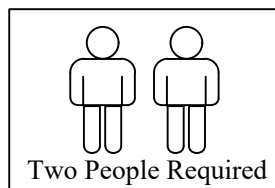


**OPTION A**

**OR**



**OPTION B**



**BEFORE STARTING ASSEMBLY, DECIDE ON WHICH SIDE THE BED THE LADDER IS GOING. DURING ASSEMBLY FOLLOW THE INSTRUCTION RELEVANT TO THE OPTION CHOSEN.**

# **INSTRUCTIONS**



IMPORTANT: Please read the instructions in full before assembly and keep for future reference.

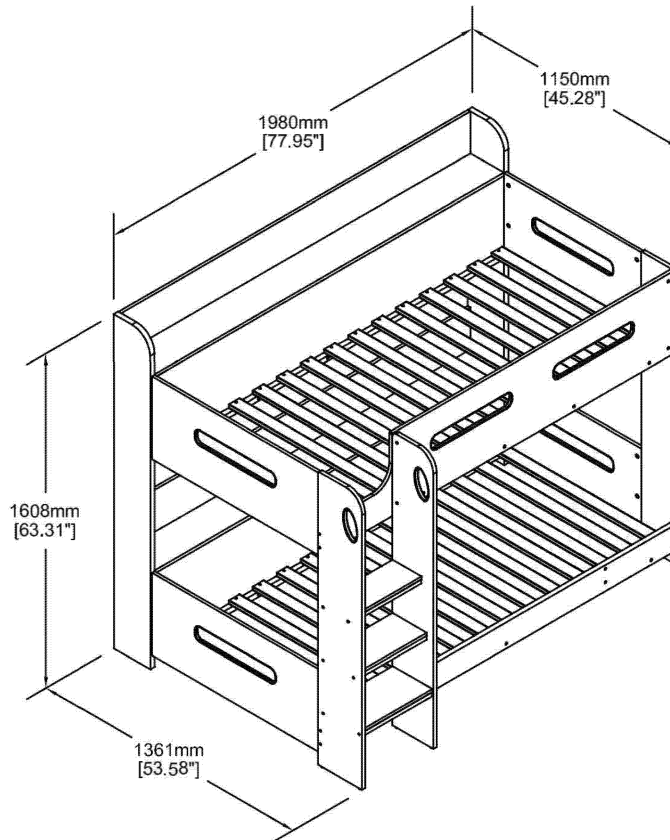


- Make sure that you have plenty of space and a clean, dry area for assembly.
  - Due to the size of this product we recommend that it is assembled in the room intended for use.
  - Unwrap all packaging materials and place the components on top of the carton box or on a clean floor to prevent scratching.
  - Check the parts and fittings received to ensure you have everything listed.
  - To avoid the risk of suffocation to children and animals, dispose of plastic bags immediately.
  - Keep all fittings out of the reach of children during assembly.
  - Do not use power tools to construct this product, as their use could make the product unsafe and will invalidate the warranty.
  - The fittings should only be fully tightened when you have finished assembly, or where instructed in the manual.
  - Do not over tighten screws or bolts.
  - The fixings should be regularly checked and tightened as necessary.
  - If fixings are found to be damaged or missing, they must be replaced before further use of the product.
  - Do not use scourers, abrasives (including washing powders), bleach or solvent based cleaners as they can bleach or damage the product.
-

# Product Size : 920mm x 1930mm (Base Int Size)

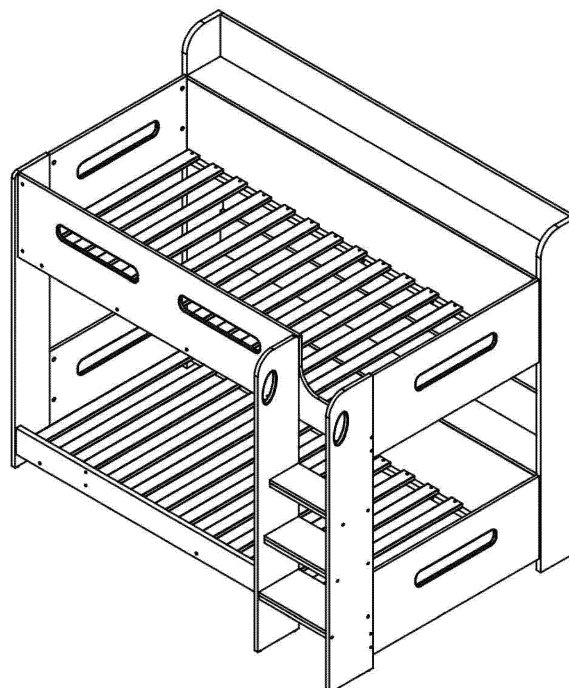
Thank you for purchasing this product. Before starting assembly we suggest you spend a short time reading through this leaflet, then follow the simple step by step guide. Two people are needed to assemble this product.

## Option A



Page 3 - 19

## Option B



Page 3 - 13  
Page 20 - 25

# Product Size : 920mm x 1930mm (Base Int Size)

## TOP TIPS BEFORE YOU START !

1. Please check that all parts & hardware are present before you start the assembly of your furniture.
2. For ease and speed of assembly, we recommend that before you commence each step of the assembly, Please identify all the parts required for that step.
3. We recommend that where possible, all items are assembled near to the area in which they will be placed in use, to avoid moving the product unnecessarily once assembled.
4. For the protection of your furniture, particularly items of high gloss finish, we recommend that the product is placed on a Protected surface during assembly to prevent any damage.
5. During assembly please take care not to over-tighten any fittings, as this may damage the product.

## IMPORTANT- READ CAREFULLY- RETAIN FOR FUTURE REFERENCE

## CARE AND MAINTENANCE OF YOUR FURNITURE

- Please periodically check all fittings and re-tighten as necessary.
- To clean your item, please use a damp cloth and wipe clean.
- Never allow any kind of liquid to remain on your furniture. Absorption can cause wood to warp or finishes to de-laminate.
- Please do not place hot items (e.g hot drinks) directly on the wood surface.
- Please do not drag or pull your furniture.

## IMPORTANT INFORMATION

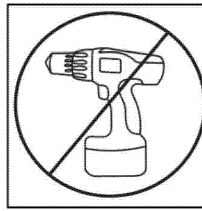
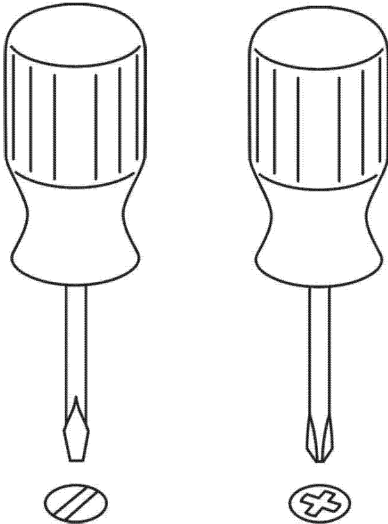
1. Thickness of mattress should not exceed 182mm.
2. Children should be discouraged from playing on top of this bunk bed.
3. The bunk bed should be checked periodically by the owner to ensure that the guardrail, ladder, and other components are maintained in the correct position and state of repair and that all connectors are tight.
4. A bunk bed is not to be placed near a ceiling fan unless the distance between the closest points on the ceiling fan bunk. Bed is at least 2 metres.
5. Use guardrails on both sides of upper bunk.
6. Prohibit horseplay on or under bed(s).
7. Prohibit more than one person on upper bunk.
8. Use Ladder for entering and leaving upper bunk.
9. If the bunk bed will be placed next to the wall, the guardrail that runs the full length of the bed should be placed against The wall to prevent entrapment between the bed and the wall.
10. **WARNING** Do not use the bunk bed/high bed if any structural part is broken or missing.
11. Ventilation of the room is necessary in order to keep the humidity low and to prevent mould in and around the bed.
12. **WARNING** "high beds & the upper bed of bunk beds are not suitable for children under six years due to risk of injury from falls";
13. **WARNING** "children can become trapped between the bed & the wall, a roof pitch, the ceiling, adjoining pieces of furniture (e.g.cupboard) and the like. To avoid risk of serious injury the distance between the top safety barrier and the adjoining structure shall not exceed 75mm nor shall be more than 230mm",
14. This child bed conforms to BS EN 747-1 : 2012 + A1 : 2015 & BS EN 747-2 : 2012 + A1 : 2015, "Furniture - Bunk beds and high beds".
15. Always follow the manufacturer's instructions.
16. A statement that ventilation of the room is necessary in order to keep the humidity low and to prevent mould in and around the bed.
17. All bunk beds and high beds intended to be assembled by other than the manufacturer or his/her representative shall include assembly instructions including a list of the parts supplied and details of any tools required to assemble the bed.

## STRANGULATION HAZARD:

18. Never attach or hang items to any part of the bunk bed that are not designed for use with the bed for example, but not limited to hook, belt and jump ropes.

# Guide To Assembly

## Tools Required For Assembly



DO NOT USE POWER TOOLS TO ASSEMBLE THIS PRODUCT. USE OF POWER TOOLS WILL INVALIDATE ANY CLAIM AND MAY DAMAGE THIS PRODUCT MAKING IT UNSAFE.

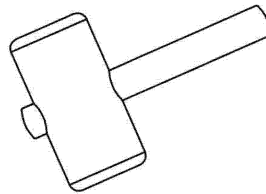


Approximately 1 hour 30 min

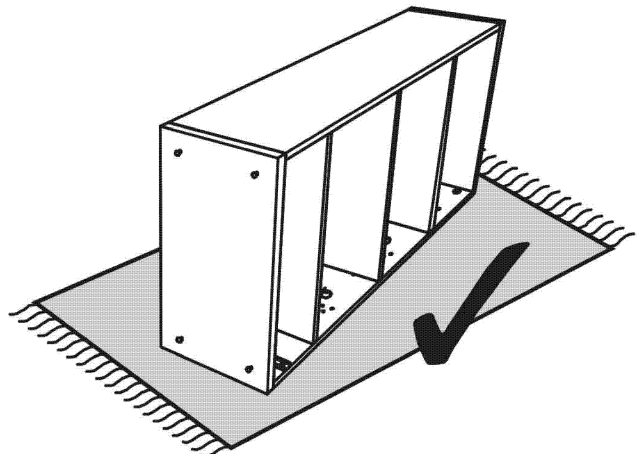
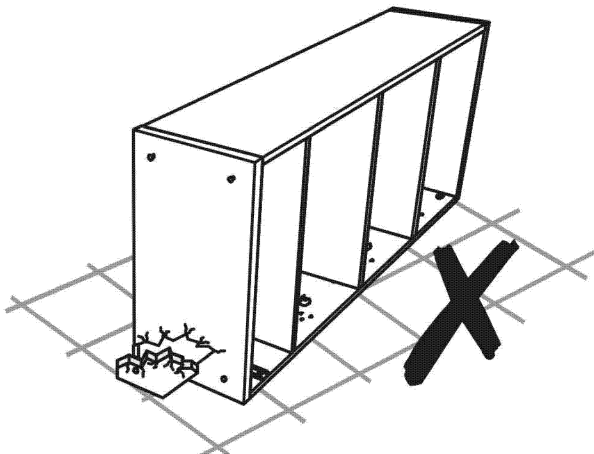
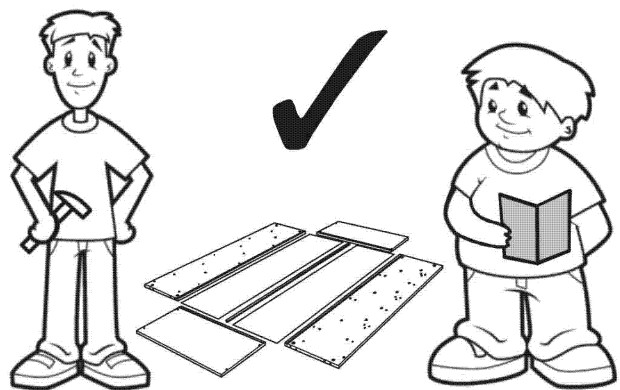
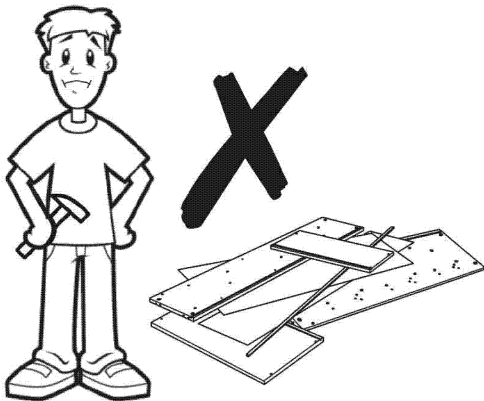
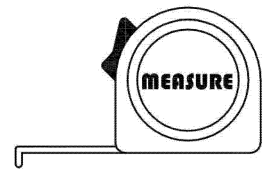


2 People Required

Rubber Hammer



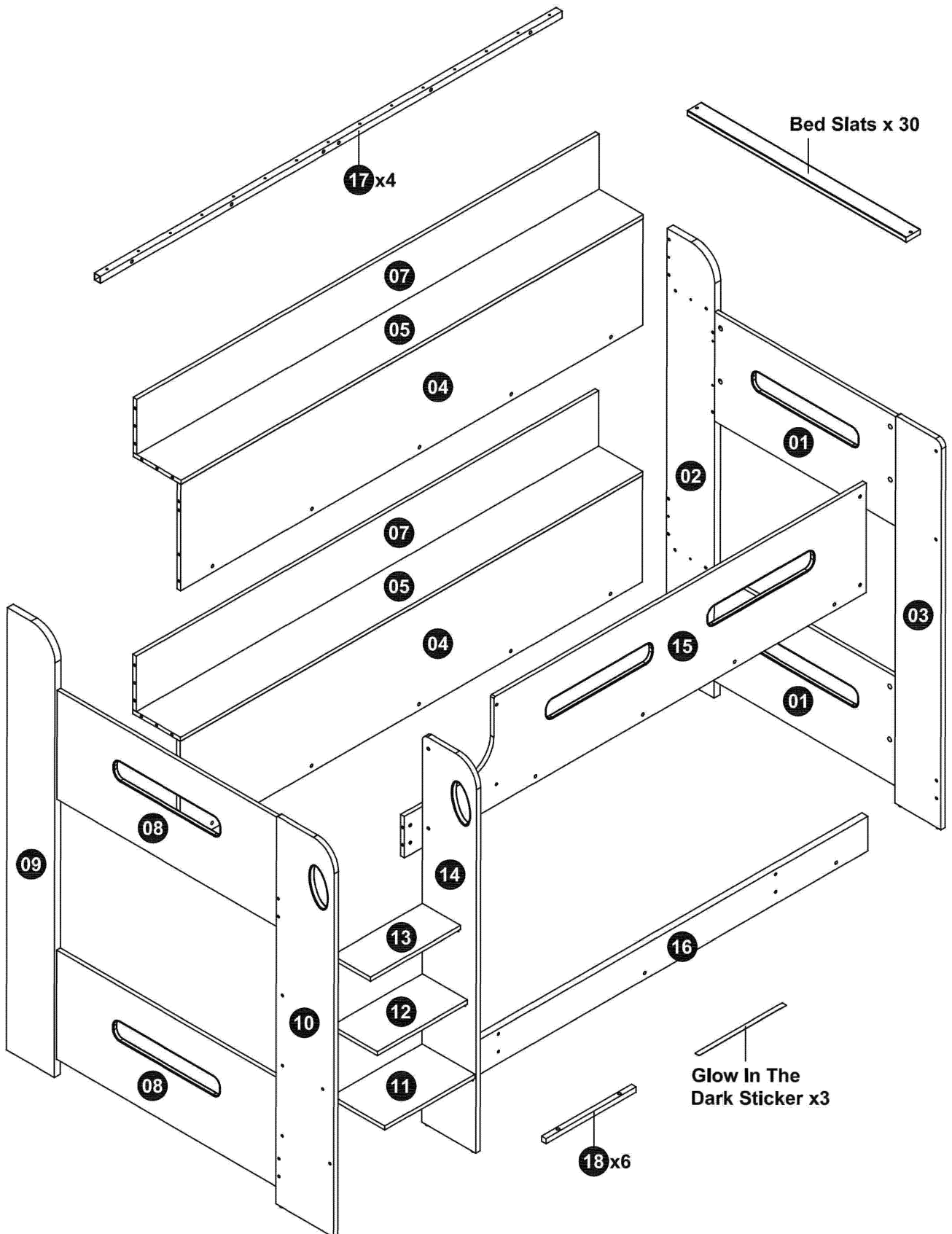
Tape Measure



# Part List



















Carton 1 of 4			Carton 3 of 4		
No.	Part Name	Pcs	No.	Part Name	Pcs
01	Right End Panel (Center)	2	02	Right End Panel (Back)	1
04	Side Panel (Back)	2	03	Right End Panel (Front)	1
08	Left End Panel (Center)	2	09	Left End Panel (Back)	1
11	1st Ladder Step	1	10	Ladder Left Panel	1
12	2nd Ladder Step	1	14	Ladder Right Panel	1
13	3th Ladder Step	1			
15	Front Panel (Upper)	1	<b>Carton 4 of 4</b>		
				Bed Slats	30
<b>Carton 2 of 4</b>			<b>Assembly Instructions + Fitting List</b>		
05	Side Panel (Upper)	2			
07	Side Panel (Upper)	2			
16	Front Panel (Bottom)	1			
17	Side Rail	4			
18	Ladder Support Rail	6			
	Glow In The Dark Sticker	3			

# Part List



## Carton 4 of 4

### Fitting List

No.	Part Name		Pcs
A	Cam Stud (small)		38
B	Cam		38
C	M8 x 25mm PVC Dowel		56
D	45mm Chipboard Screw		8
E	14mm Chipboard Screw		32
F	PVC L Bracket		8
G	M6 x 13mm Baller		8
H	M6 Round Nut		4
J	M6 x 60mm Allen Bolt		2
K	M6 x 55mm Allen Bolt		10
L	M6 x 45mm Allen Bolt		15
M	M6 x 40mm Allen Bolt		2
N	M6 x 35mm Allen Bolt		15
P	M6 x 30mm Allen Bolt		72
Q	M6 JCN Nut		14
R	Allen Wrench		2
S	PVC Universal Cap		8
T	Sticker (Extra 2 pcs)		2

### Caution

There are many small components used in the construction of this unit. These loose items should be kept away from young children whilst assembling your unit. As an extra precaution, screw cover caps should be permanently fixed in position. (Where applicable)

### USEFUL HINTS & TIPS

Two people will be required to assemble this unit

Please keep this assembly instruction for future reference

# Guide To Assembly

1



A x 20



B x 16



C x 24

## WHEN FITTING CAM STUD

ENSURE THE CAM STUD IS FULLY TIGHTEN IN

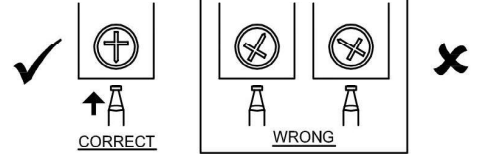


CORRECT

WRONG

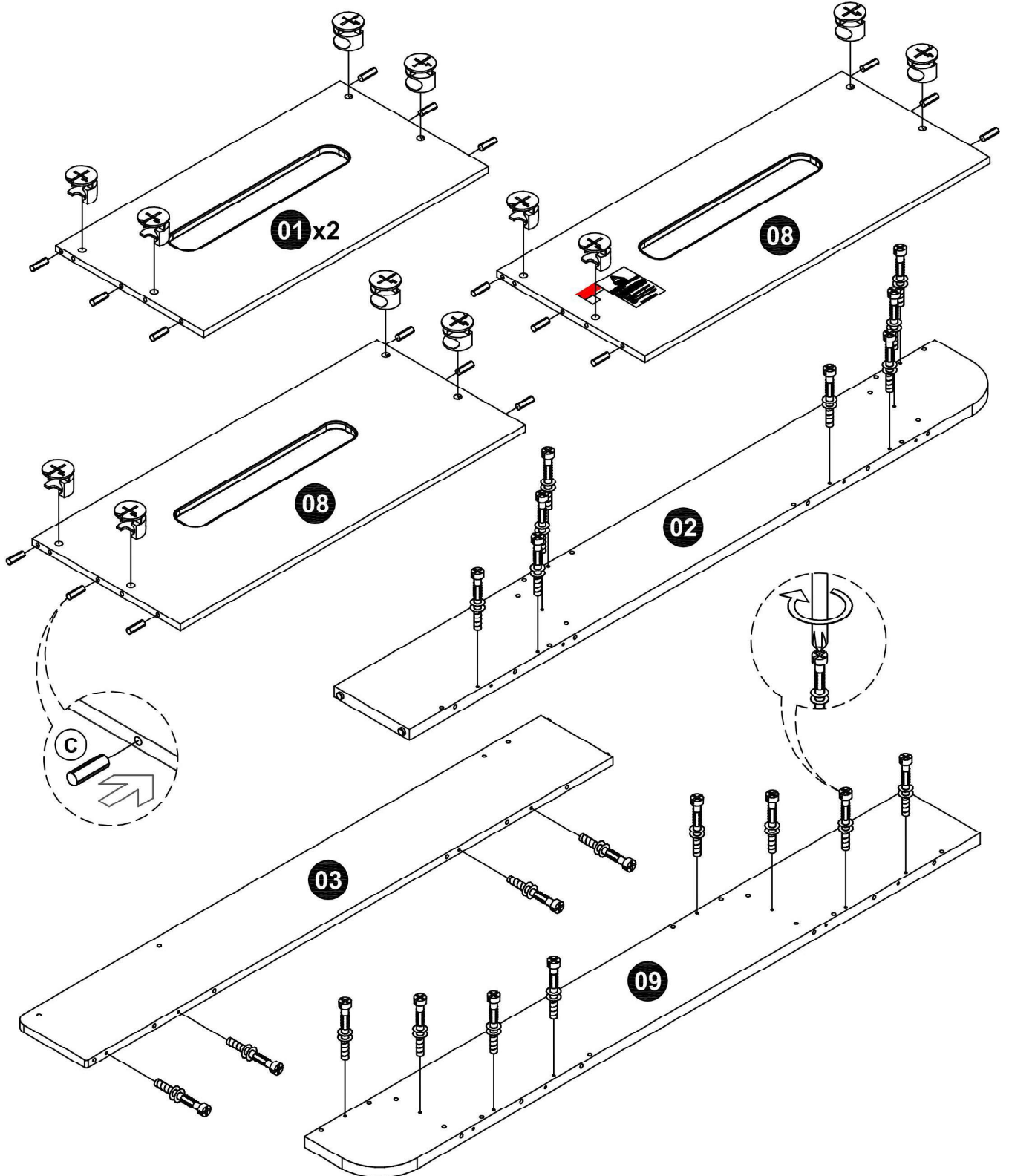
## WHEN FITTING CAMS

ENSURE STARTING POSITION IS CORRECT BEFORE YOU INSERT CONNECTING BOLT TURN CLOCKWISE UNTIL SECURE





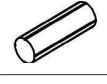


CORRECT

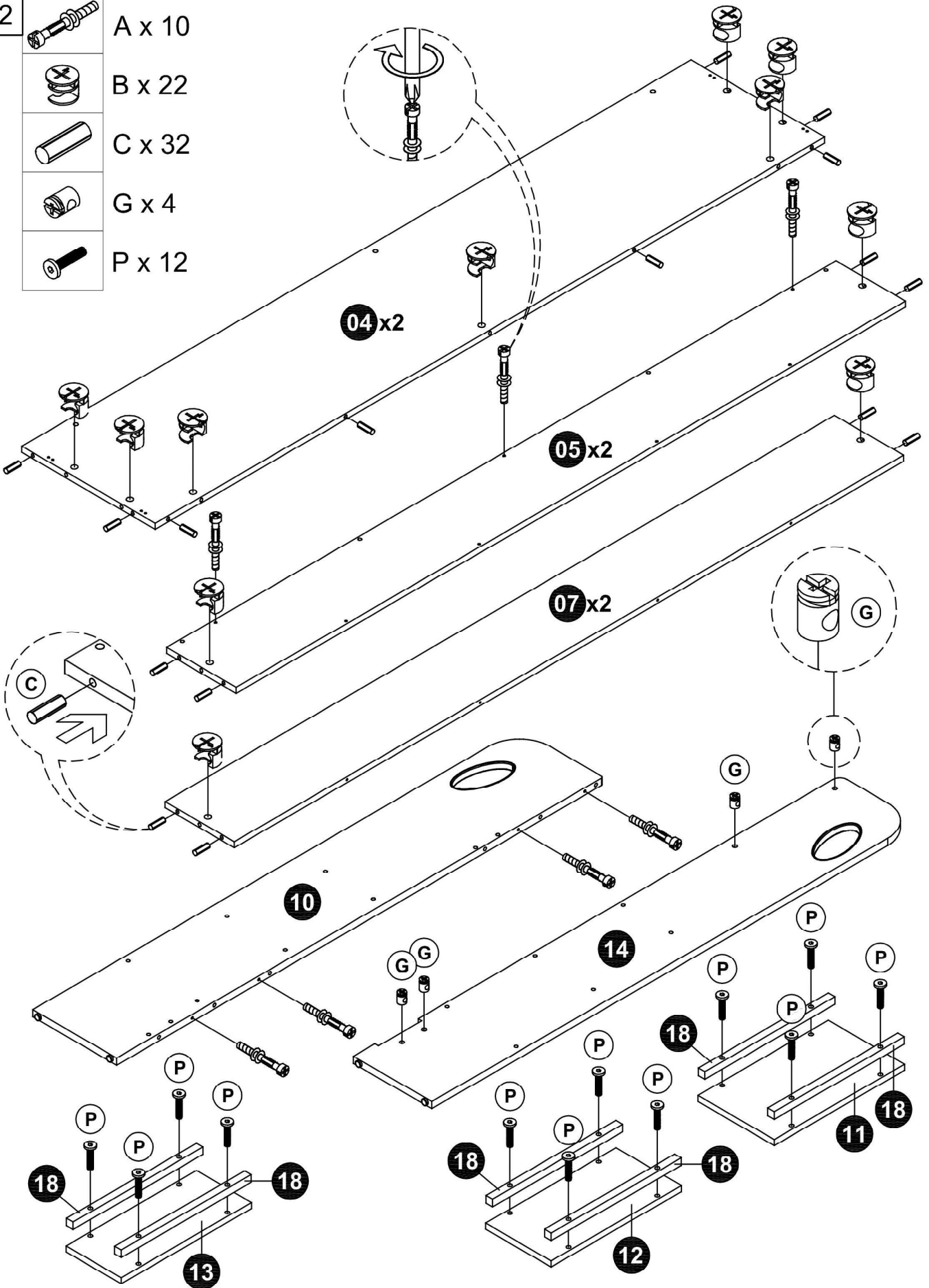
WRONG



# Guide To Assembly

2

-  A x 10
-  B x 22
-  C x 32
-  G x 4
-  P x 12

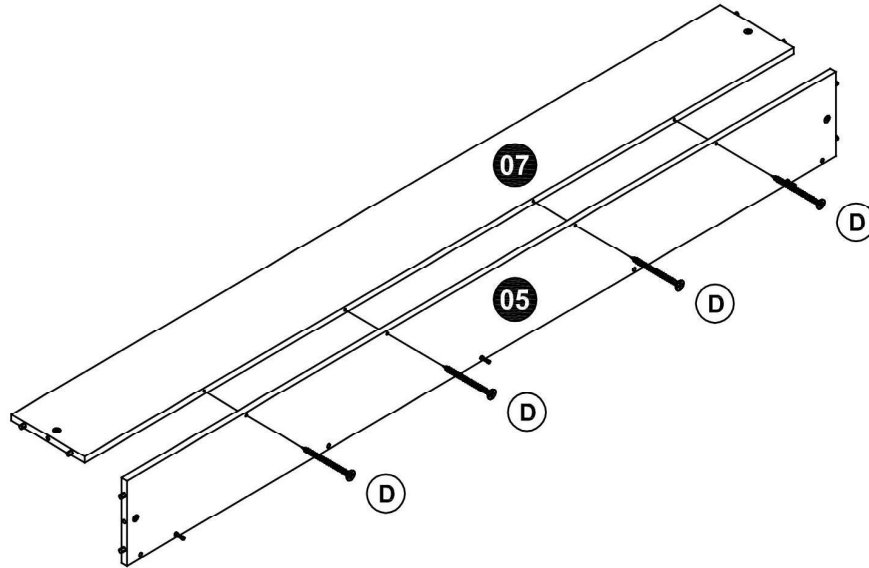


# Guide To Assembly

3

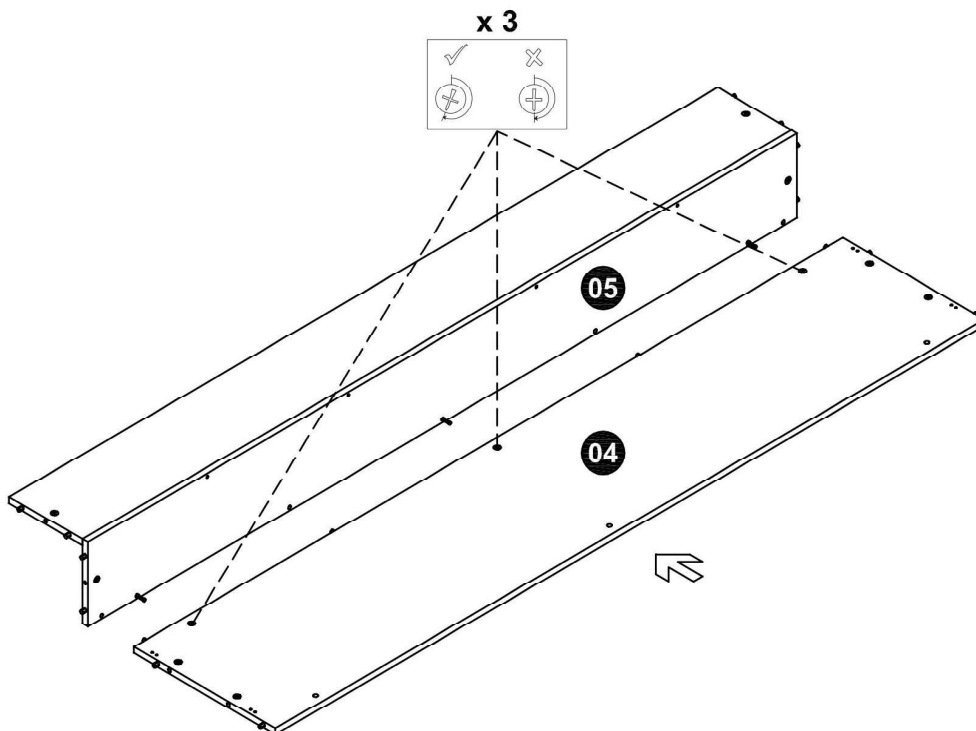


D x 8



Do This Step 2 Times

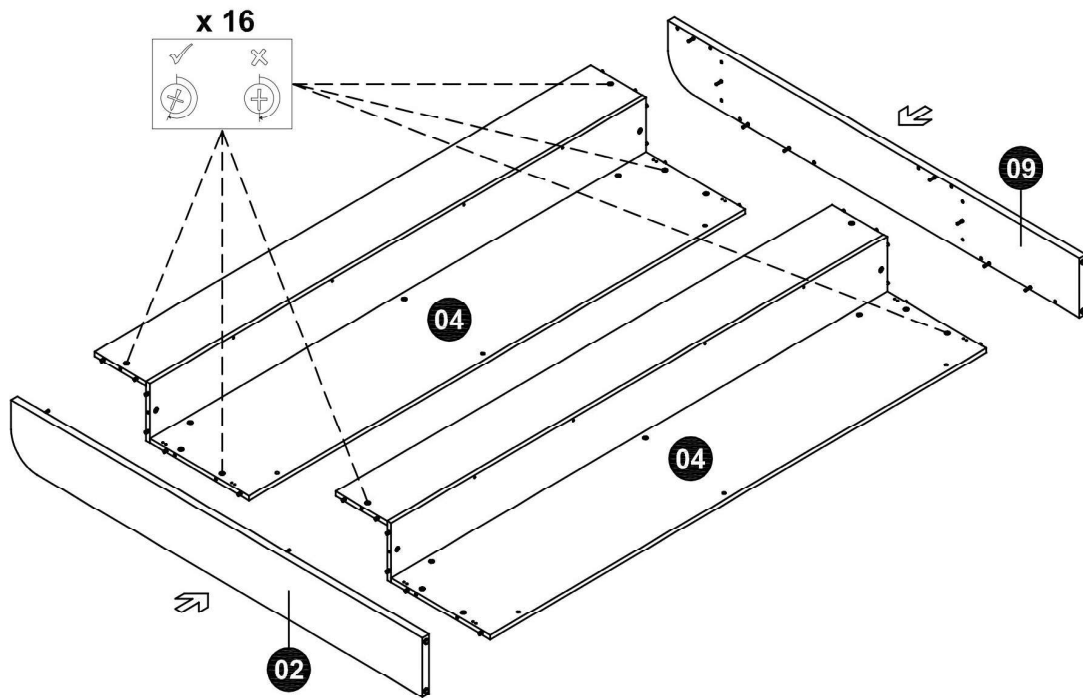
4



Do This Step 2 Times

# Guide To Assembly

5



6

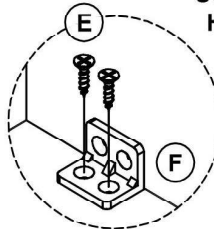


E x 32

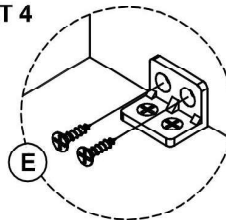


F x 8

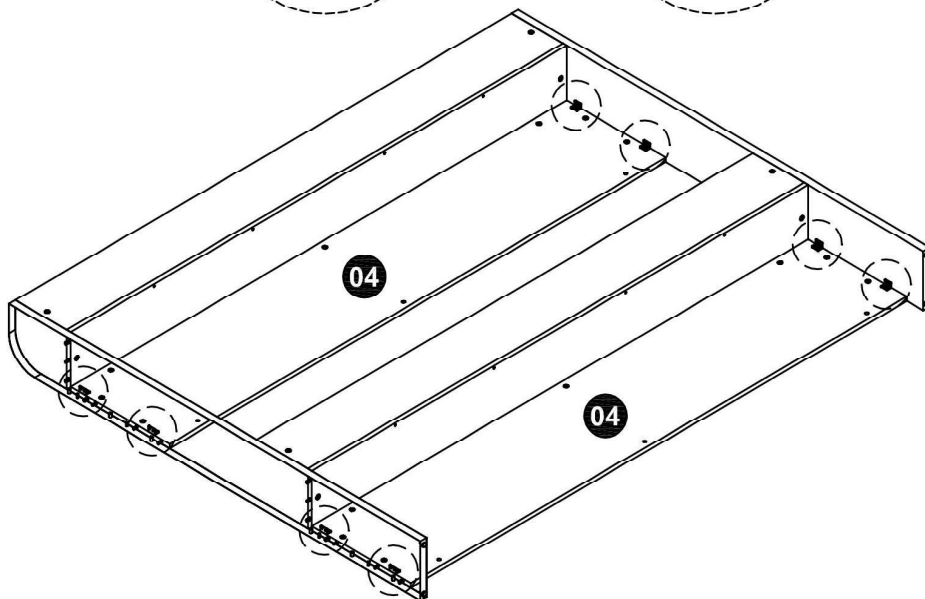
USE PRE - DRILLED  
HOLES IN PART 4



6.1



6.2



# Guide To Assembly

7



A x 8

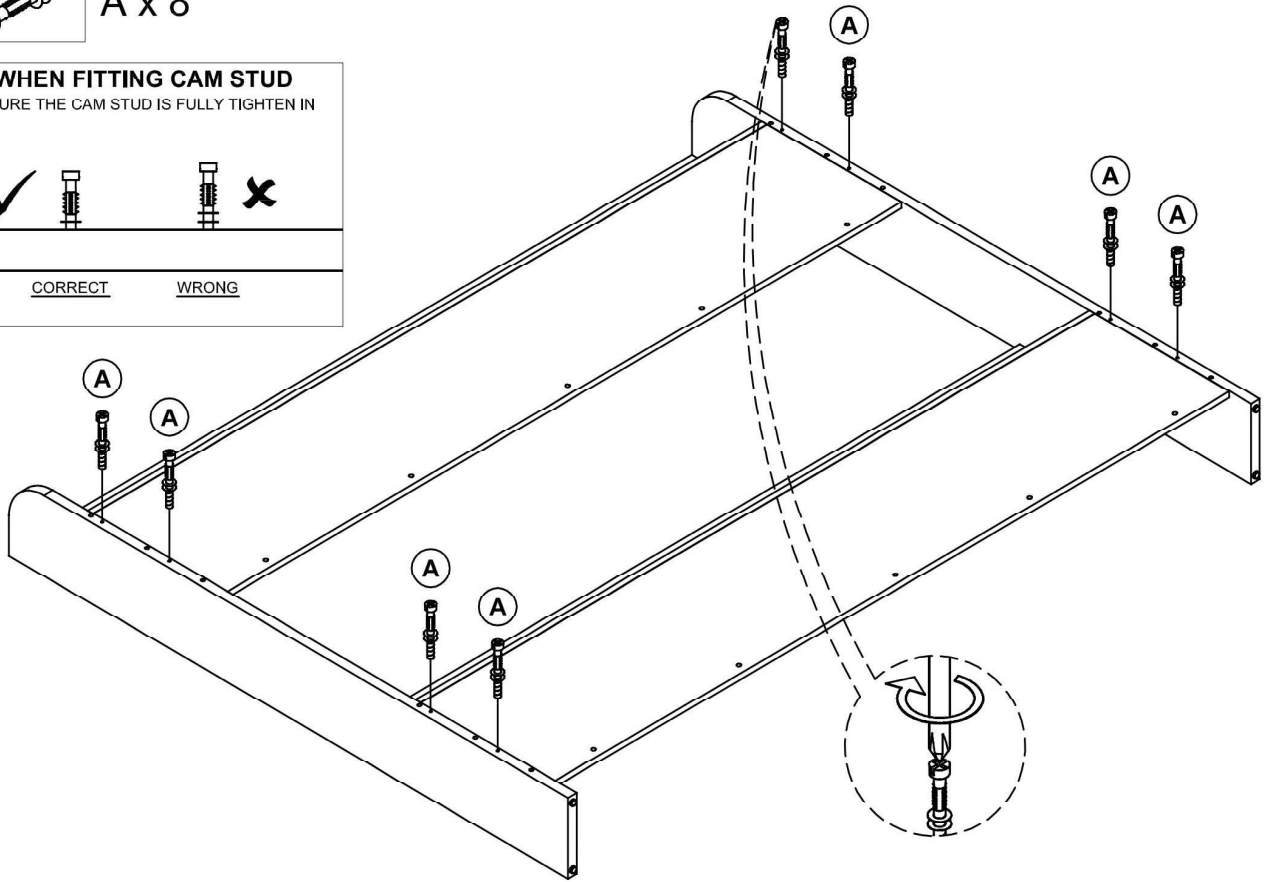
### WHEN FITTING CAM STUD

ENSURE THE CAM STUD IS FULLY TIGHTEN IN



CORRECT

WRONG



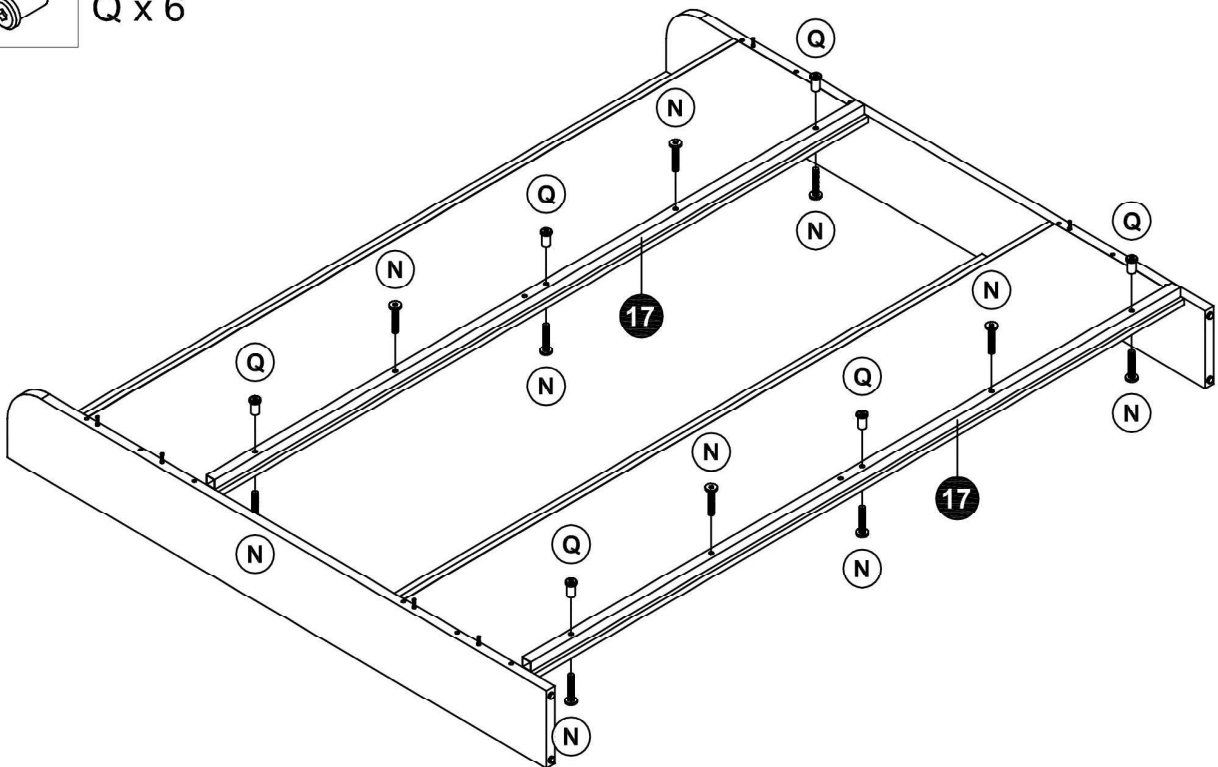
8



N x 10



Q x 6



# Guide To Assembly

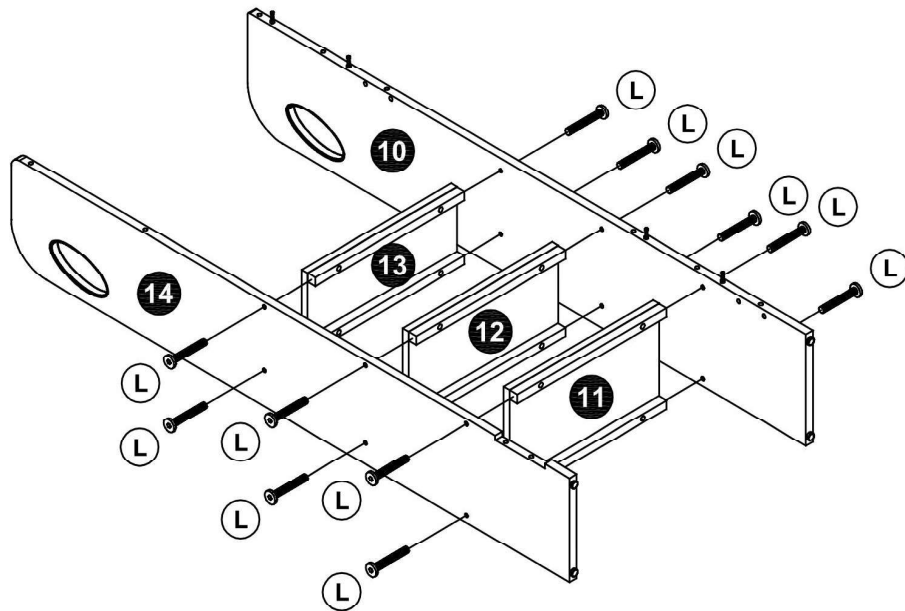
9



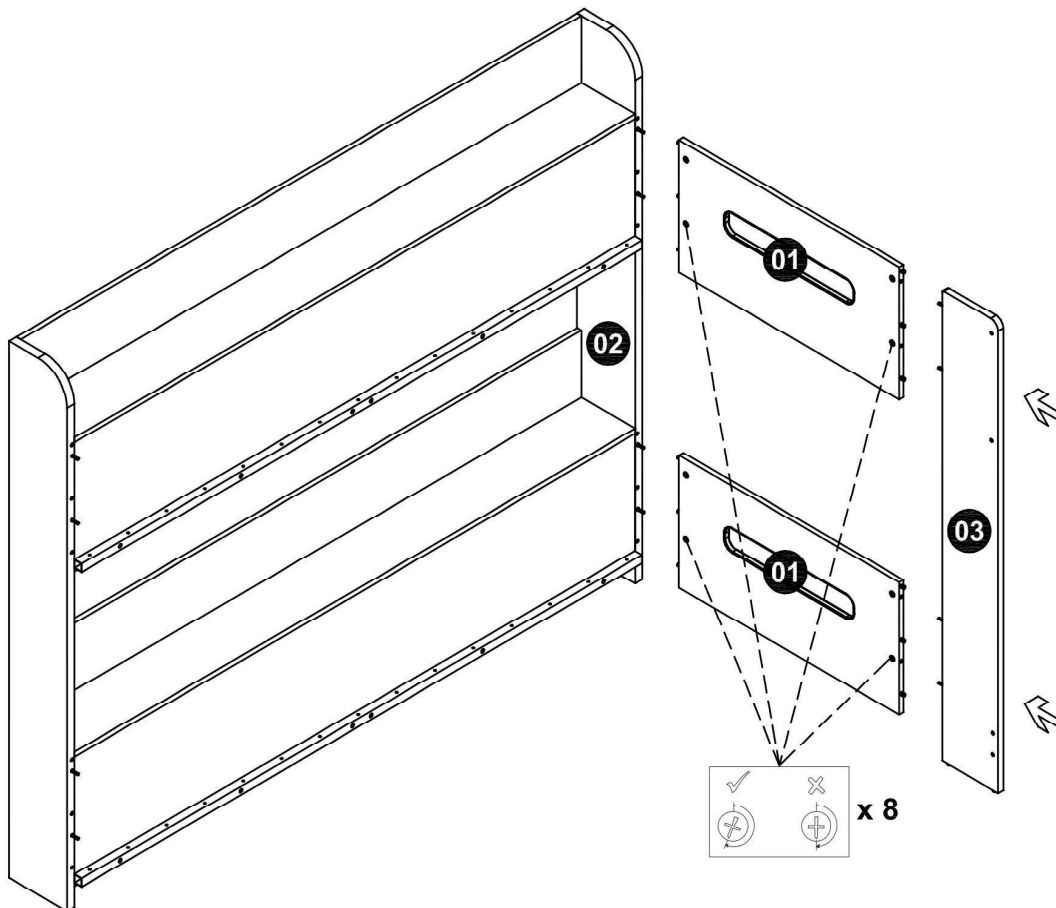
L x 12

Option A

Please ensure the metal support be fitted

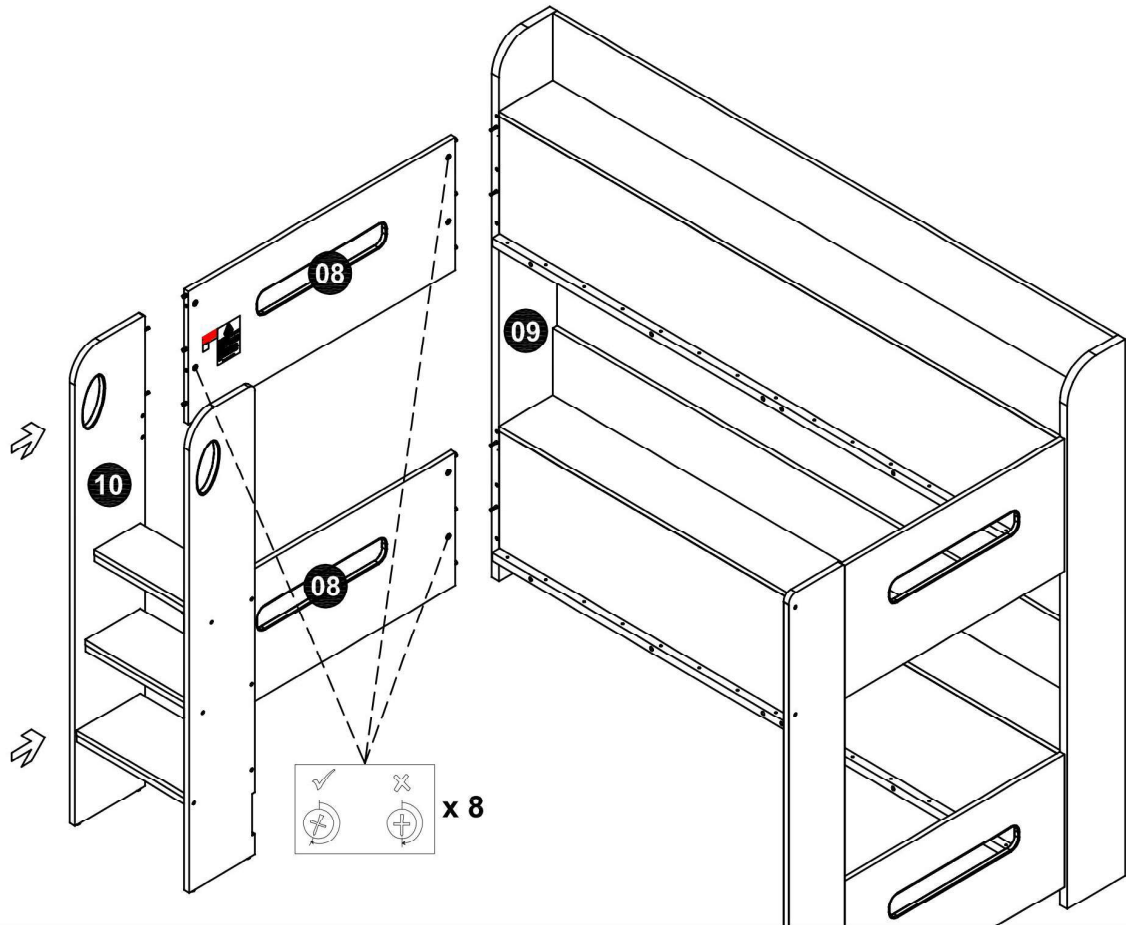


10

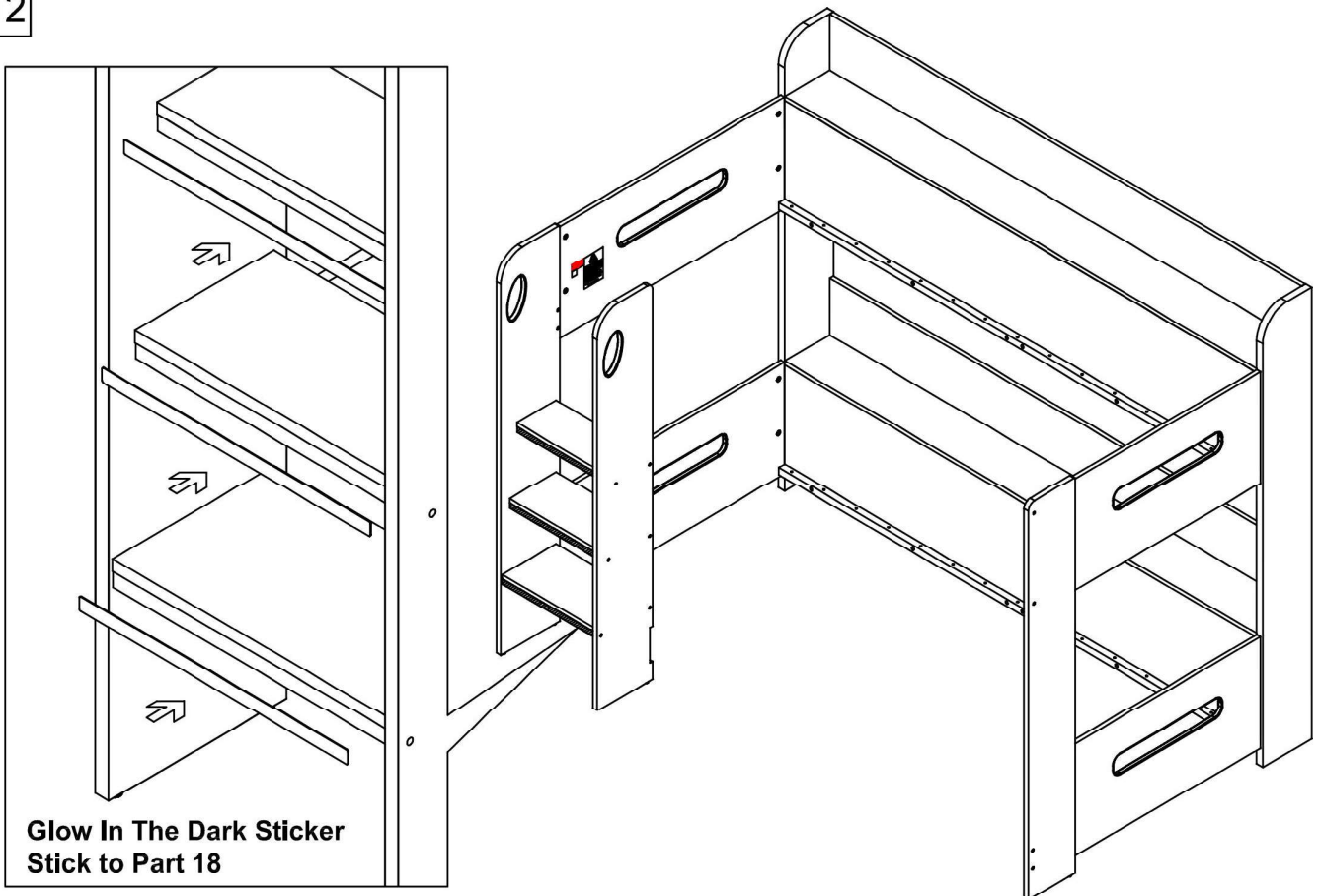


# Guide To Assembly

11



12

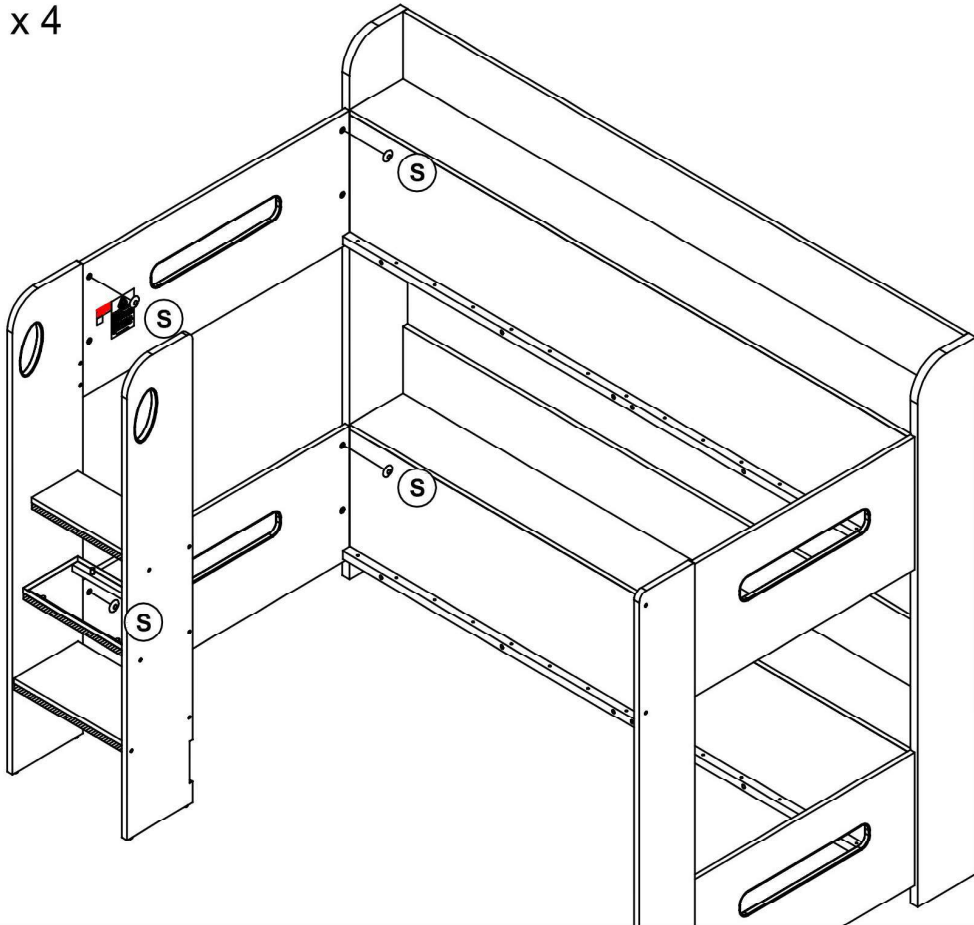


# Guide To Assembly

13



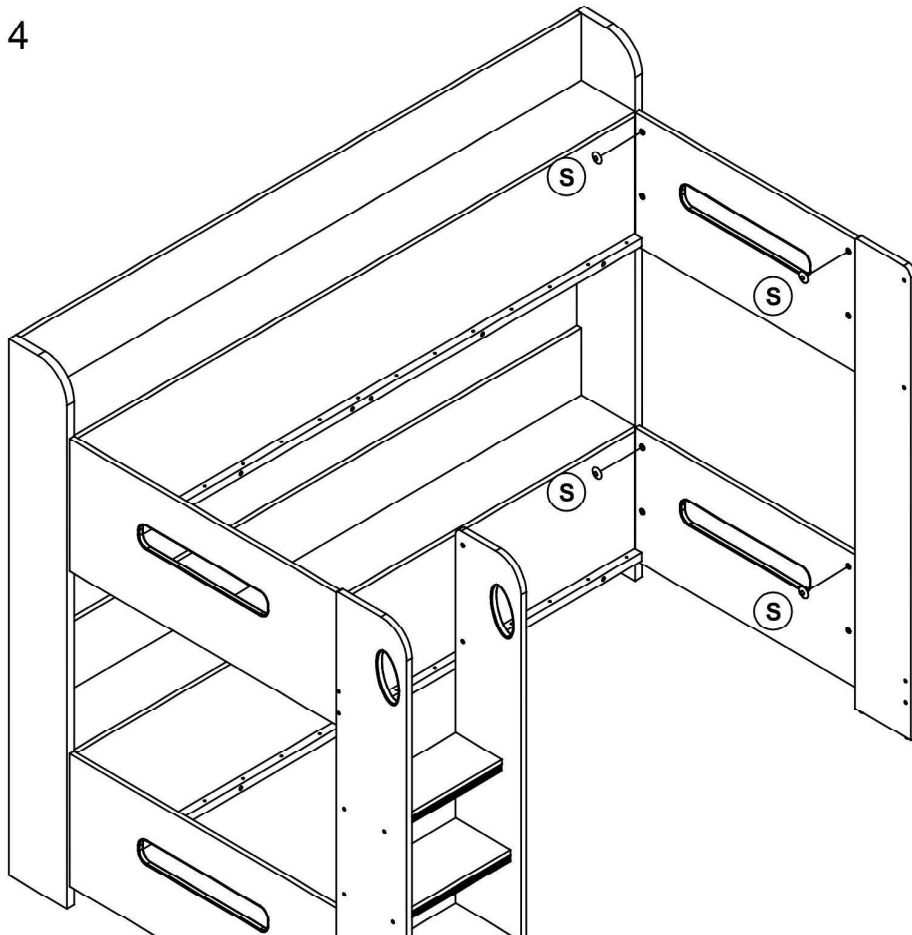
S x 4



14



S x 4



# Guide To Assembly

15



G x 4



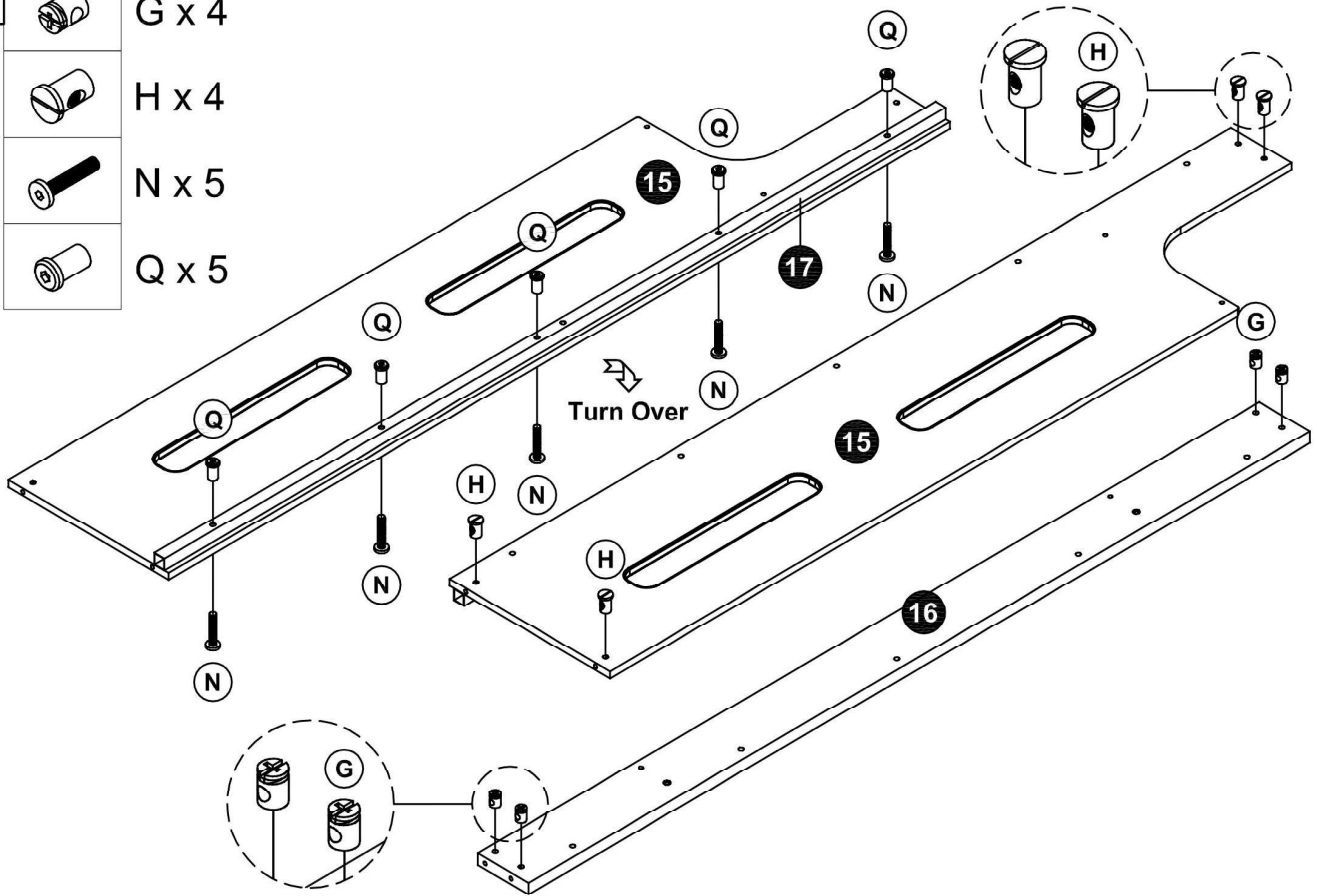
H x 4



N x 5



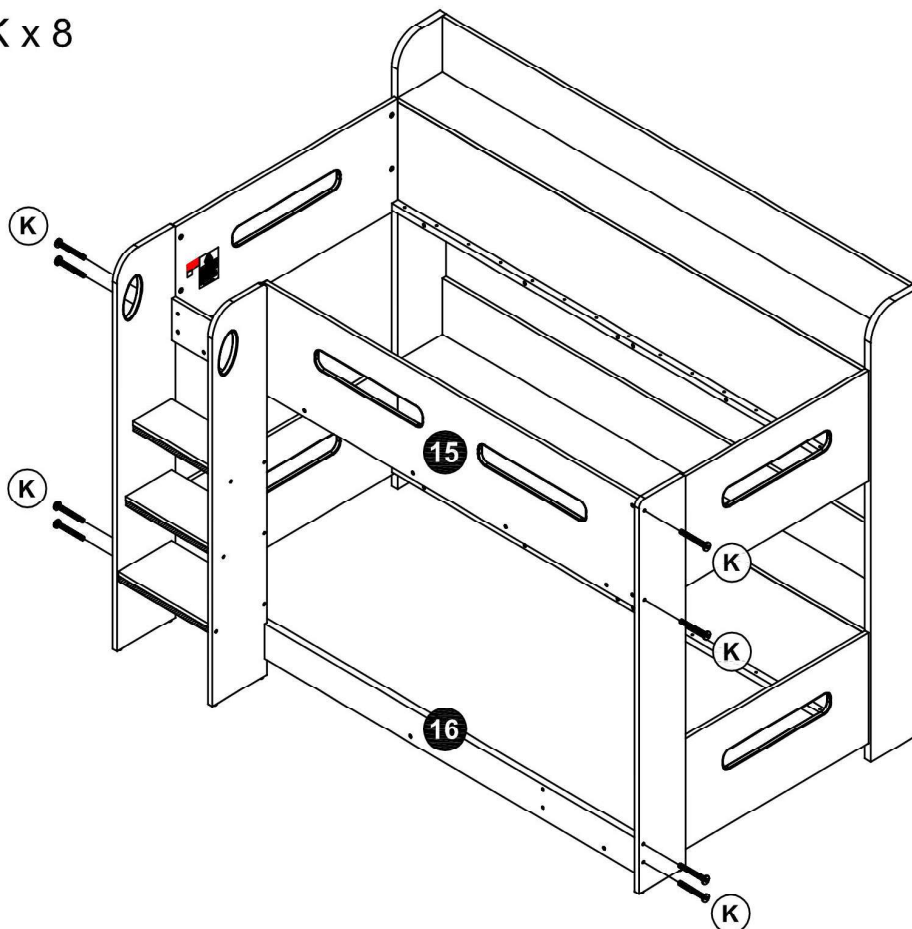
Q x 5





16

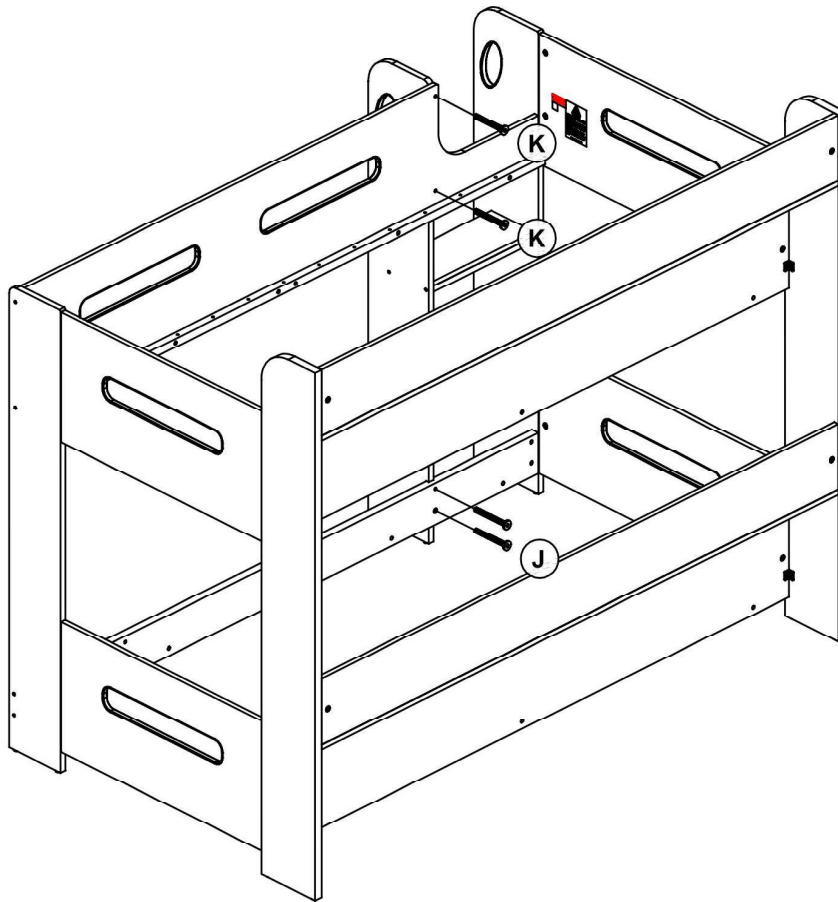





K x 8

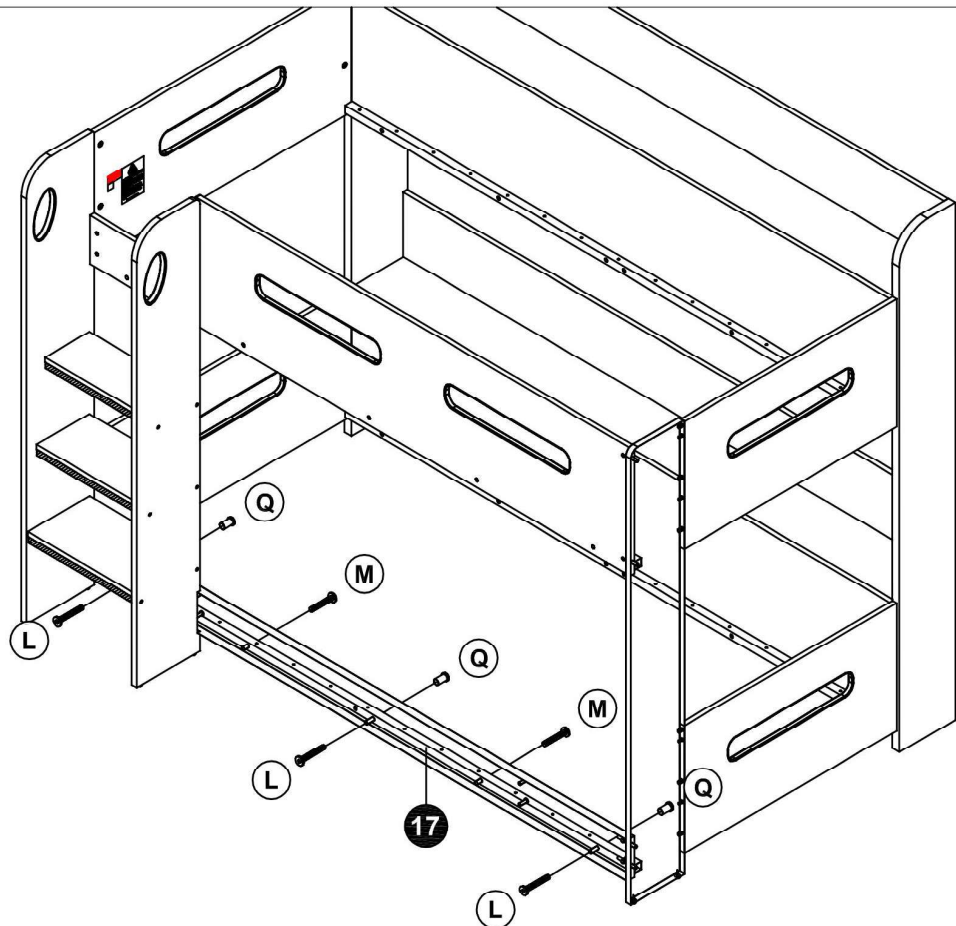


# Guide To Assembly

- 17  J x 2  
 K x 2



- 18  L x 3  
 M x 2  
 Q x 3



# Guide To Assembly

19

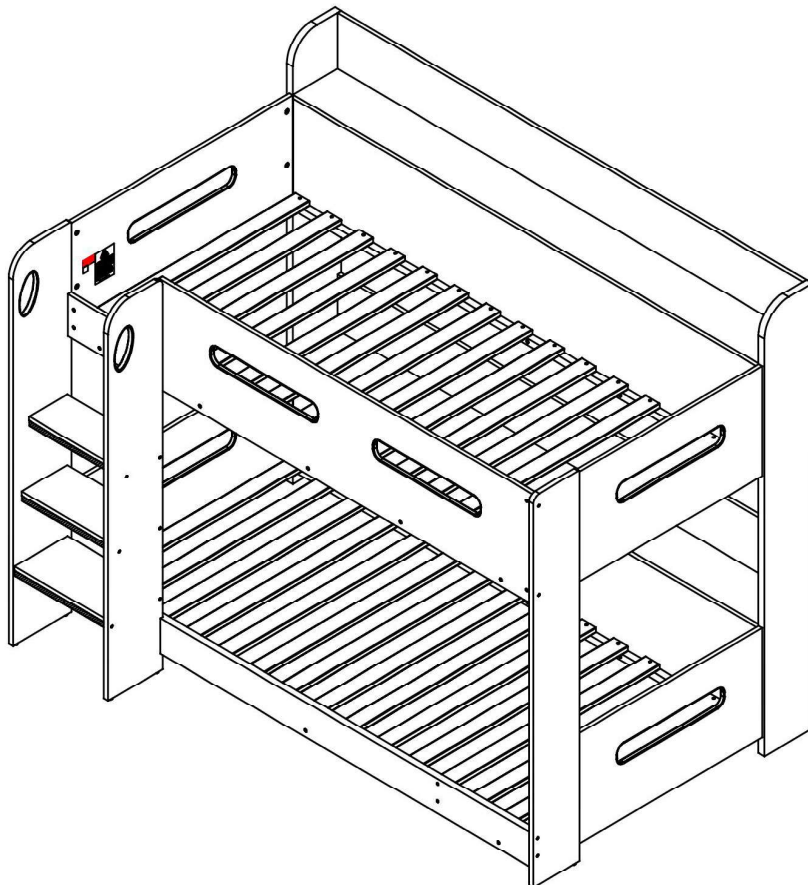
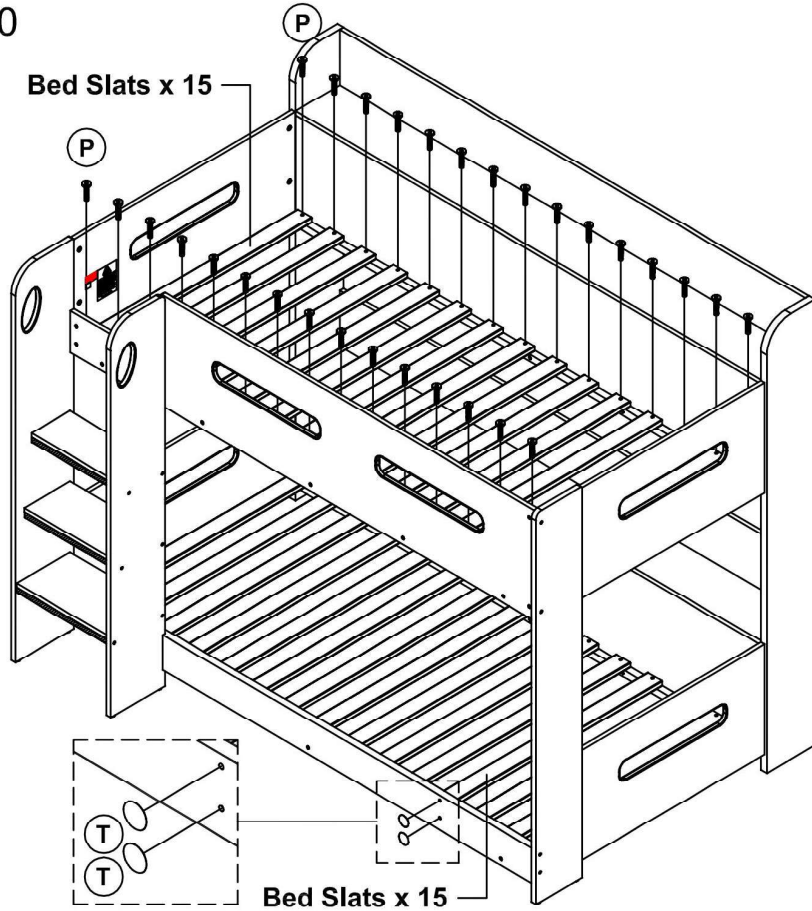


P x 60



T x 2

Bed Slats x 15



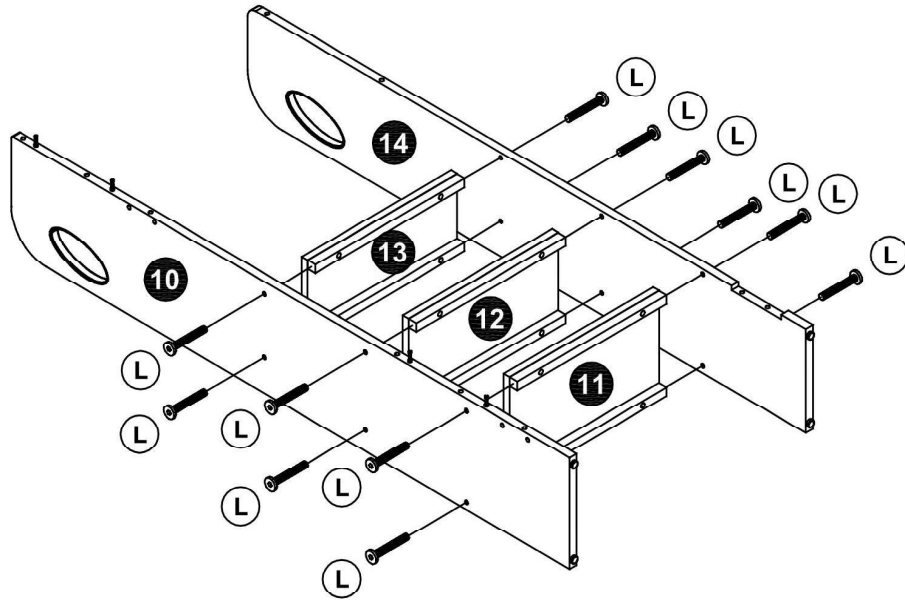
9



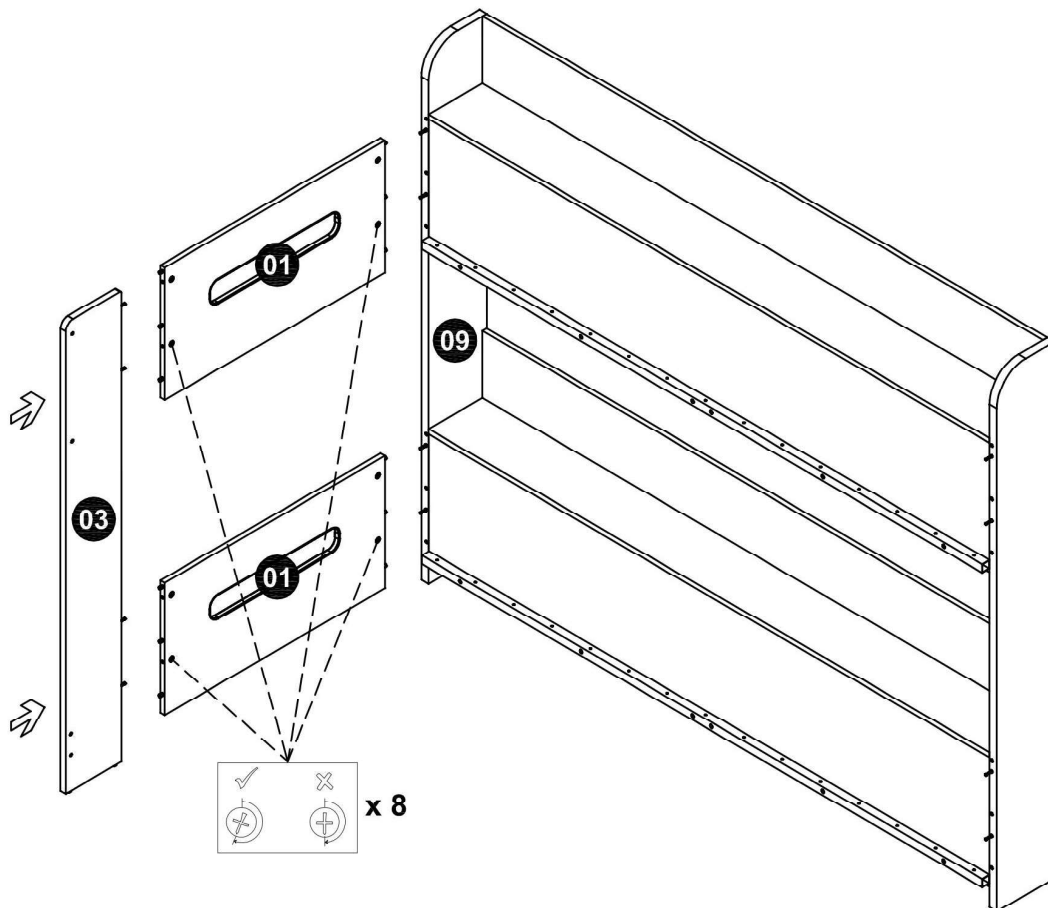
L x 12

Option B

Please ensure the metal support be fitted

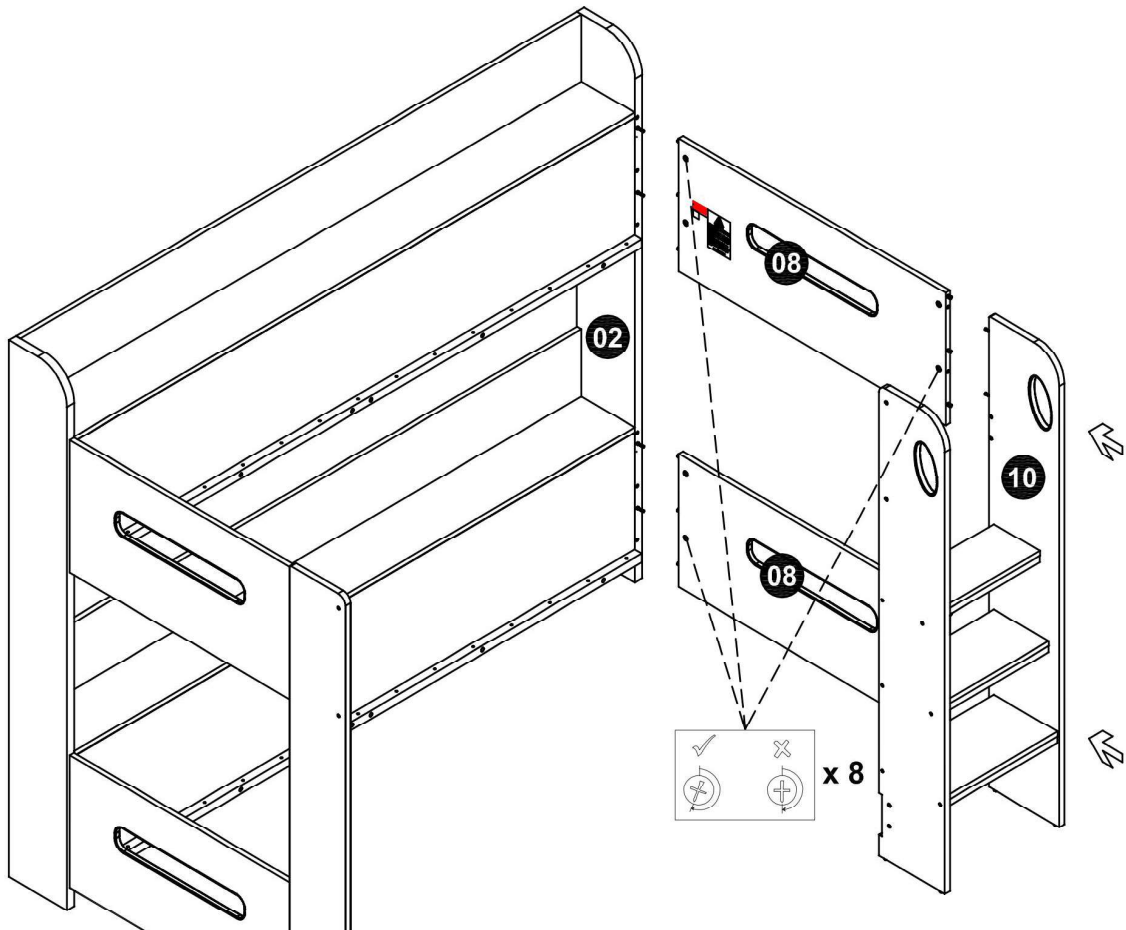


10

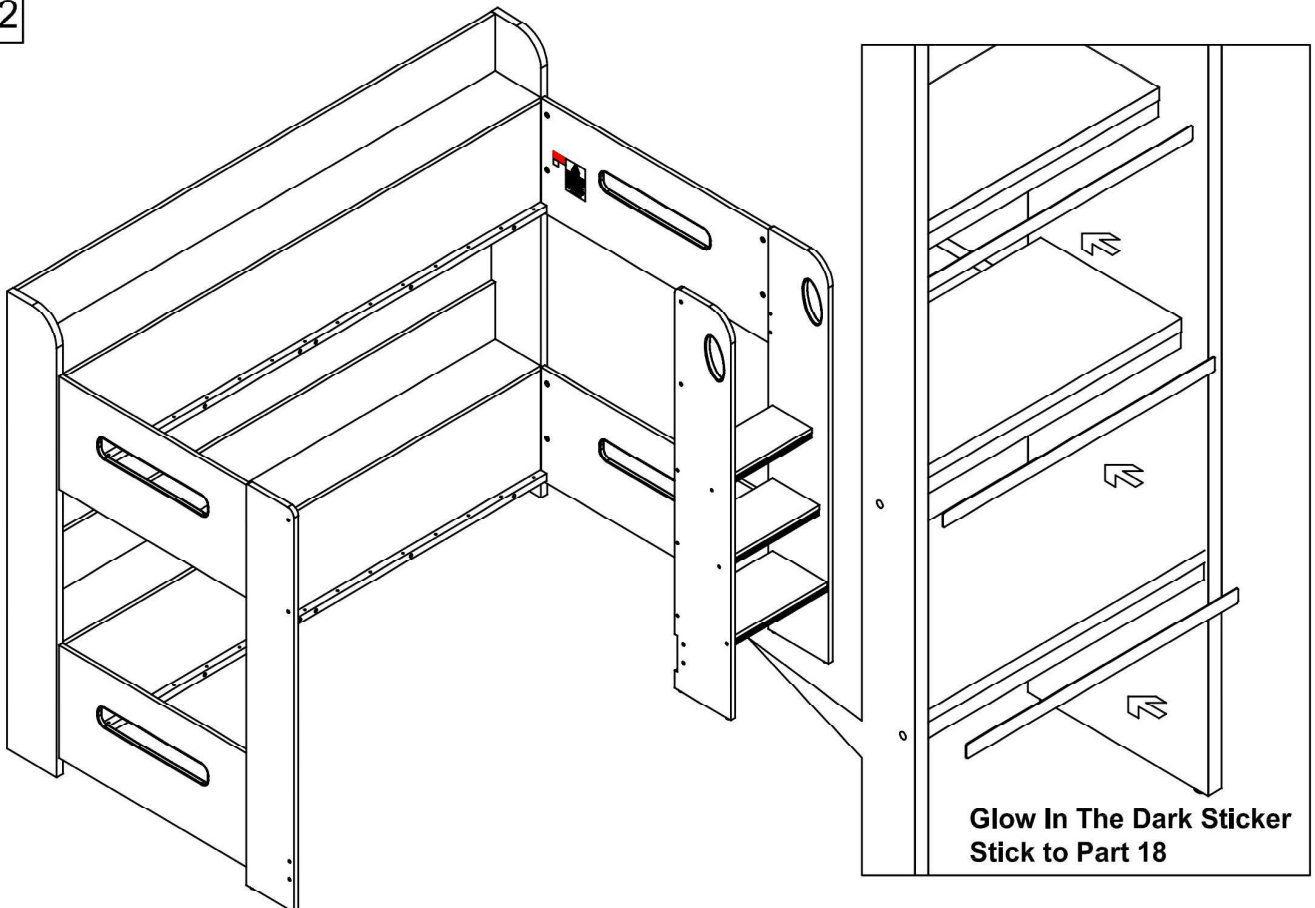


# Guide To Assembly

11



12

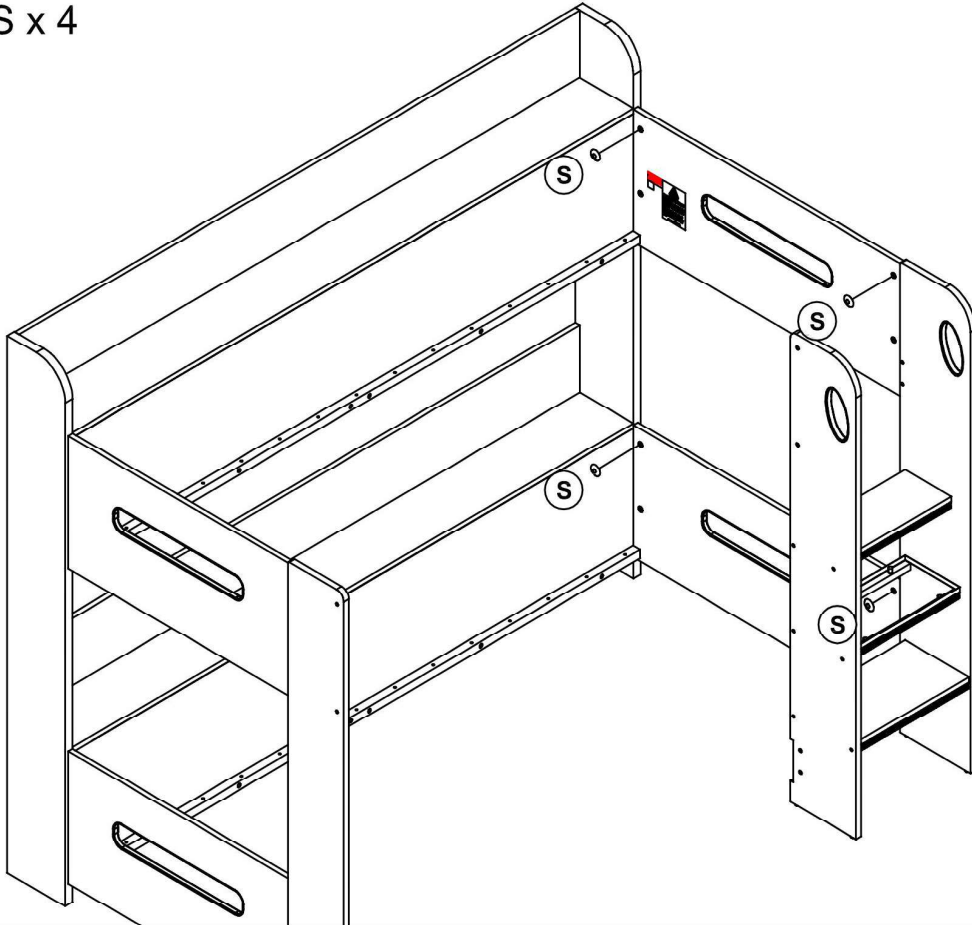


# Guide To Assembly

13



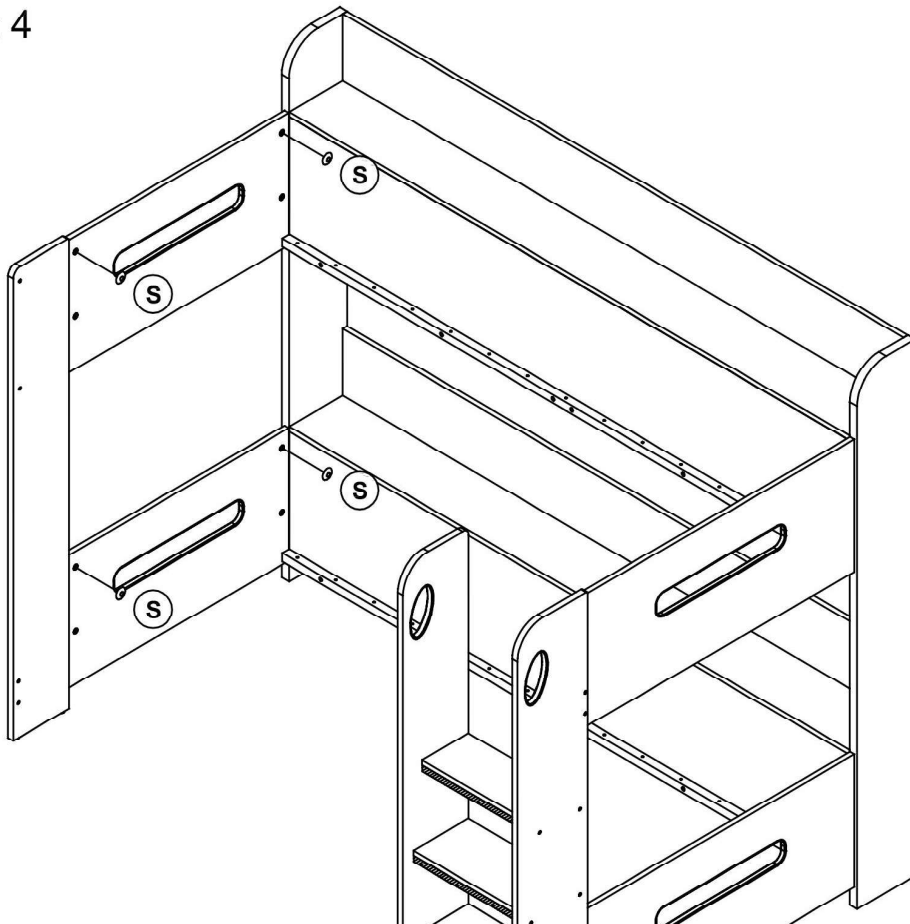
S x 4



14



S x 4



# Guide To Assembly

15



G x 4



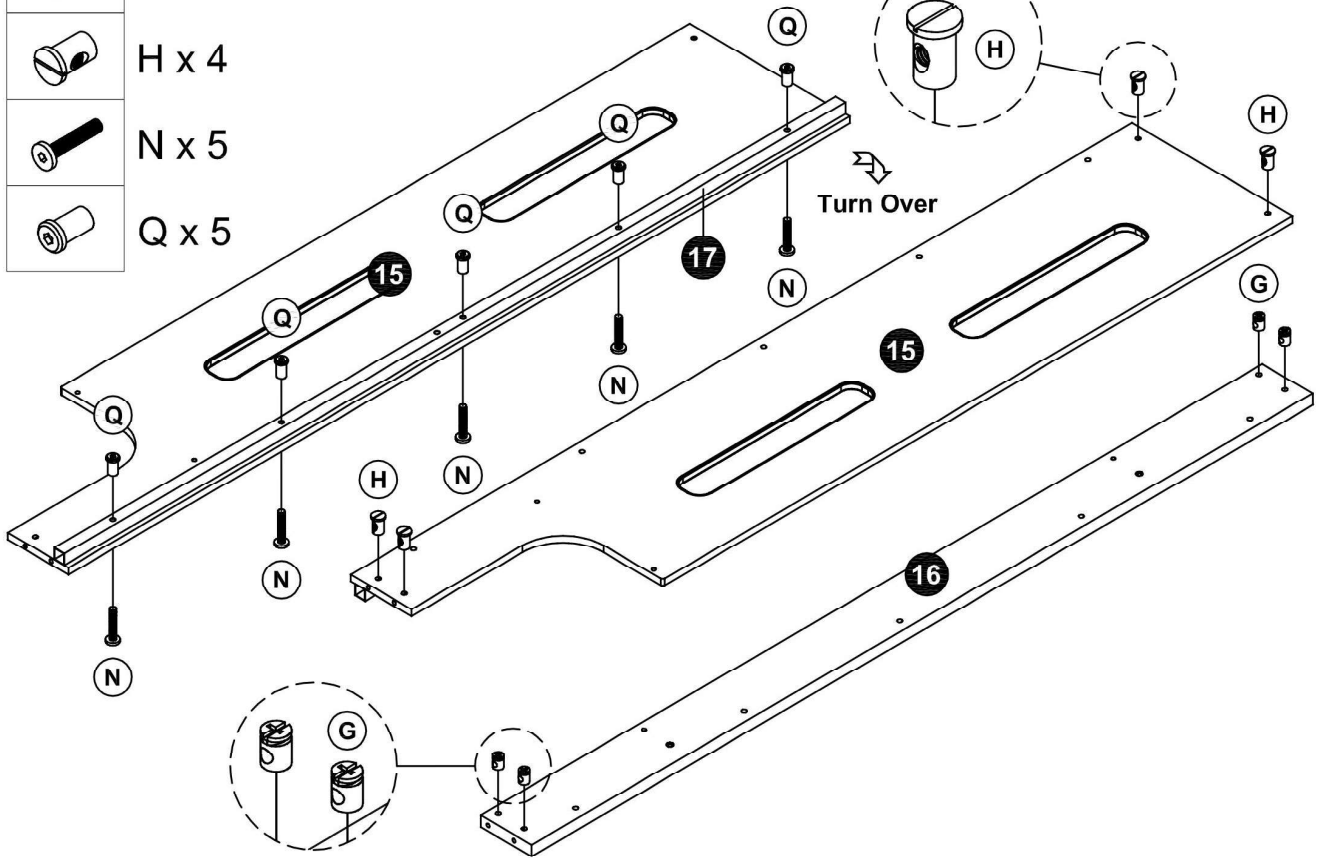
H x 4



N x 5



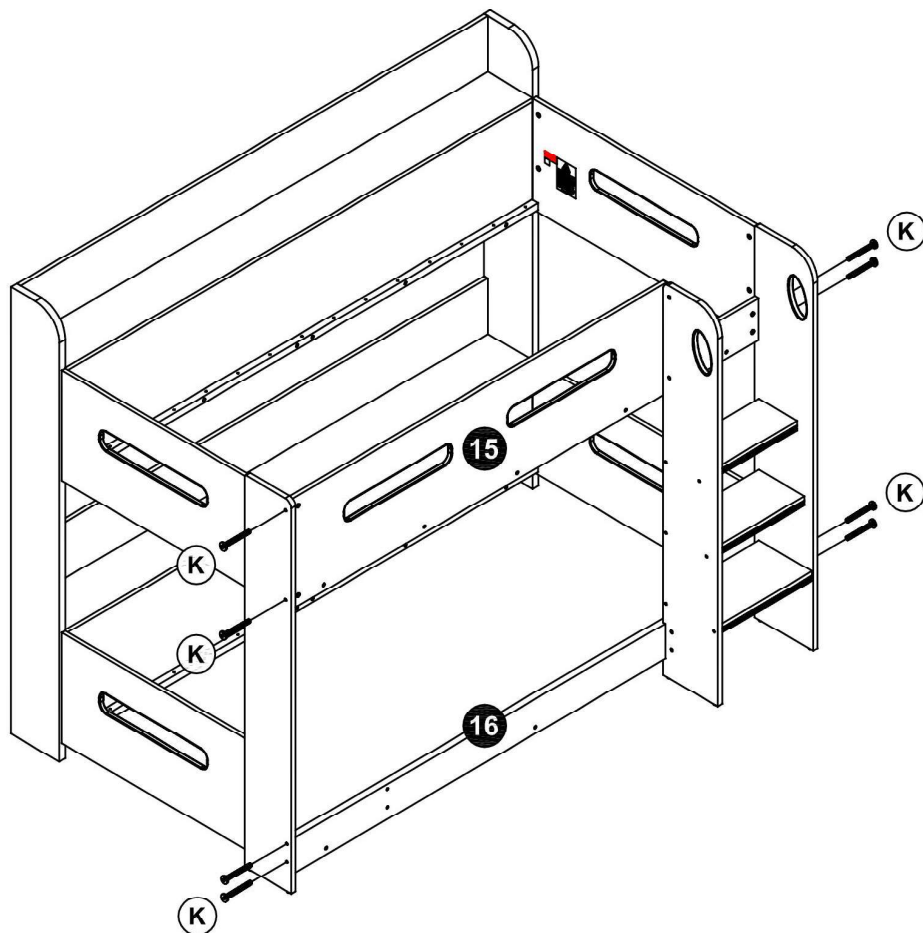
Q x 5



16

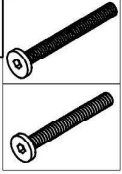


K x 8



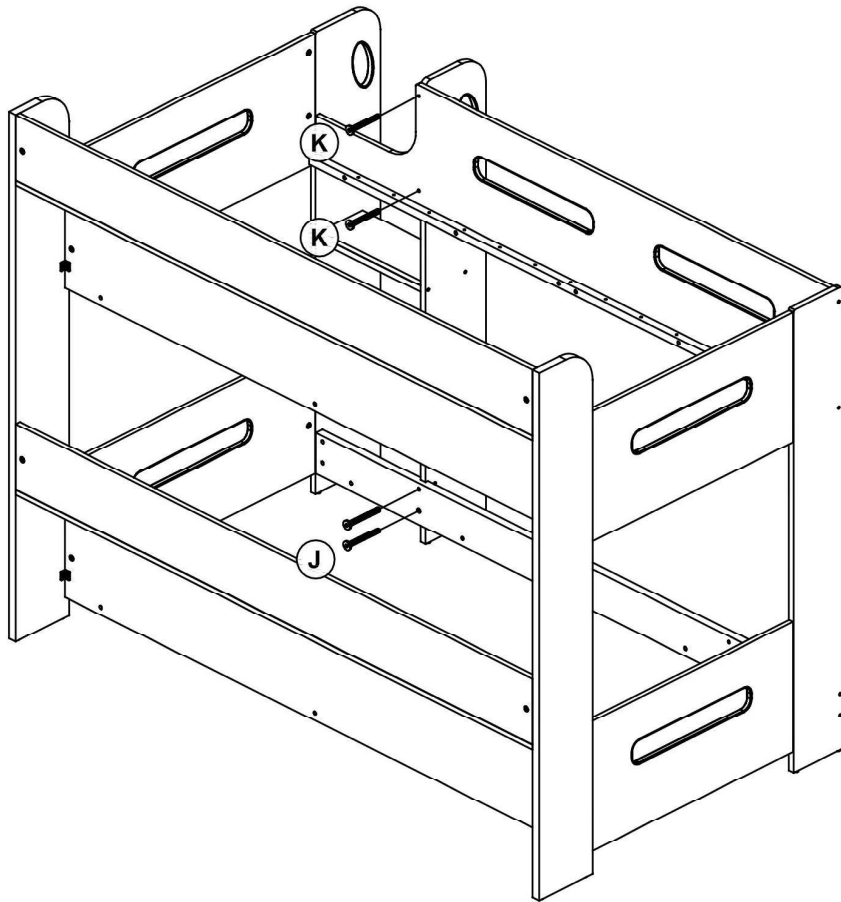
# Guide To Assembly

17

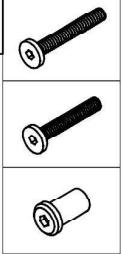


J x 2

K x 2



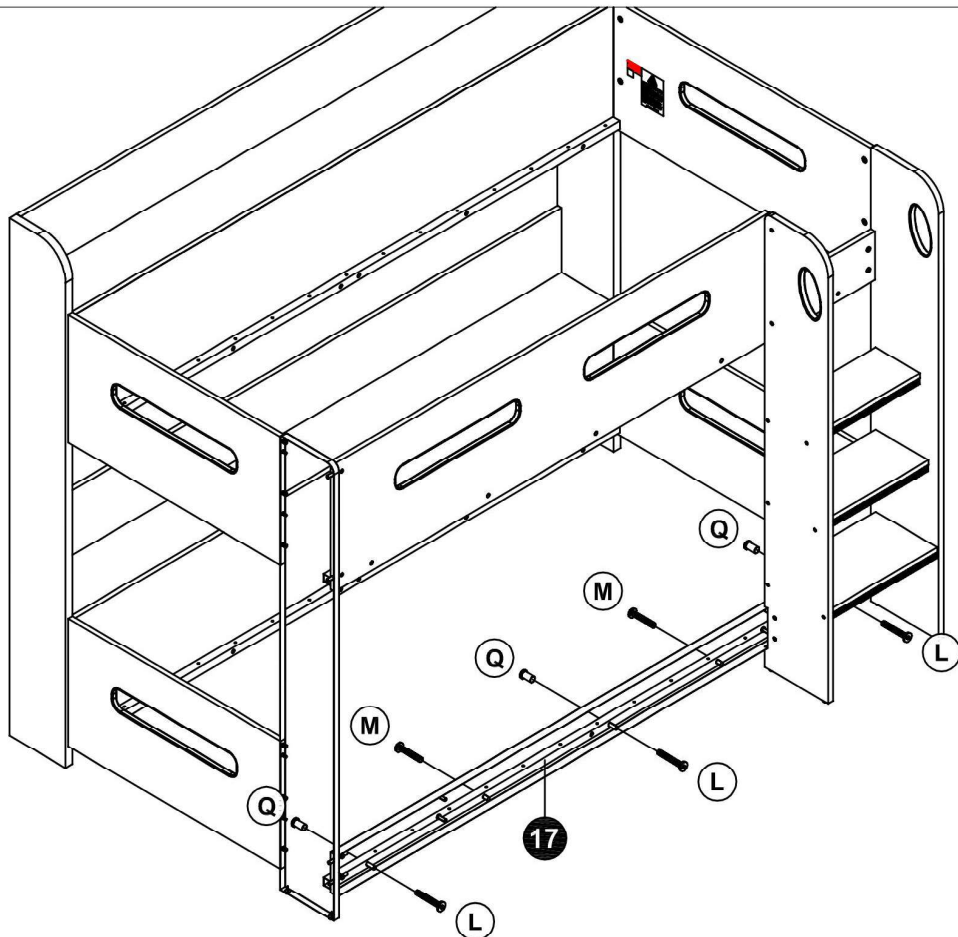
18



L x 3

M x 2

Q x 3



# Guide To Assembly

19



P x 60



T x 2

