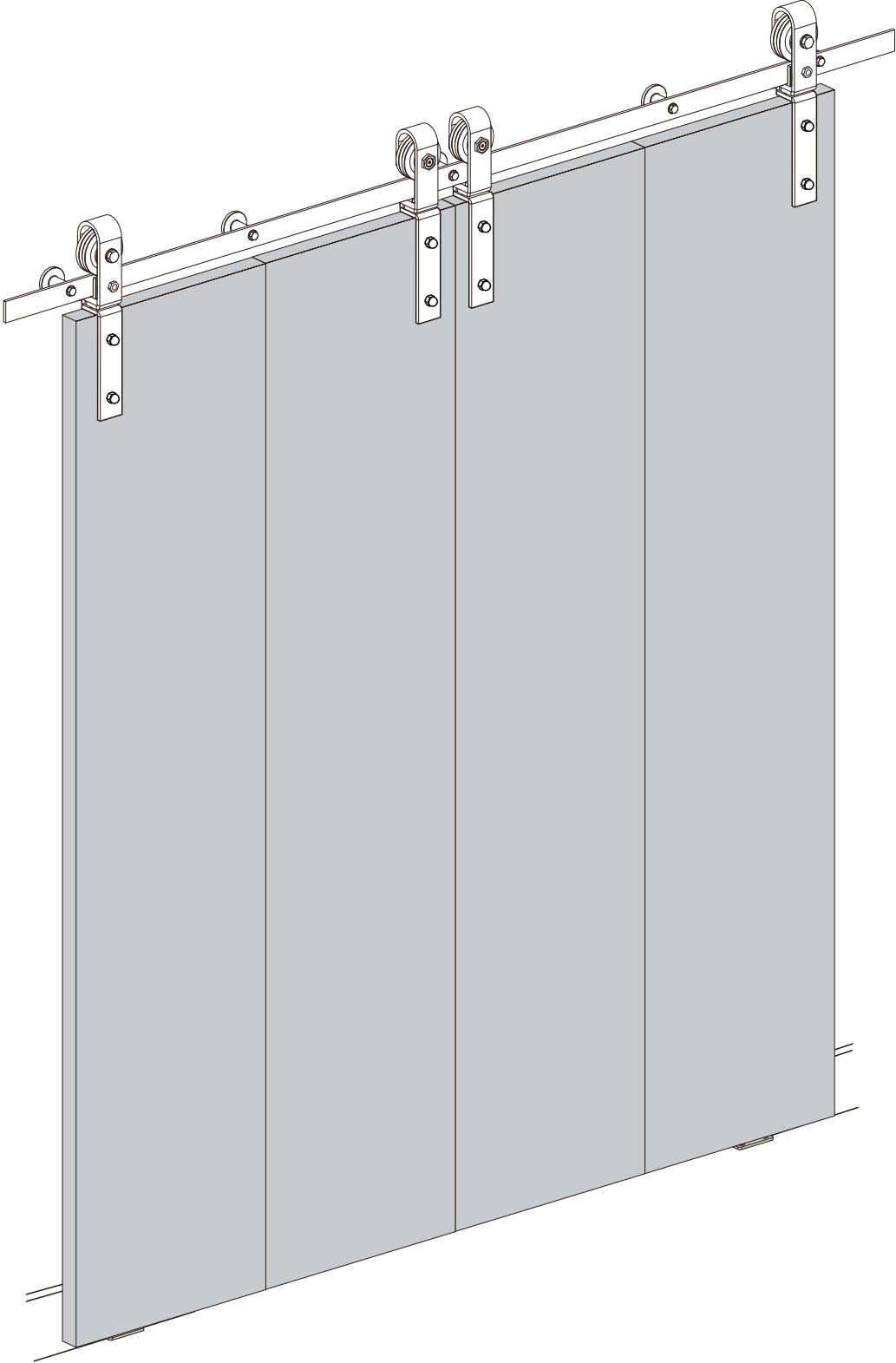
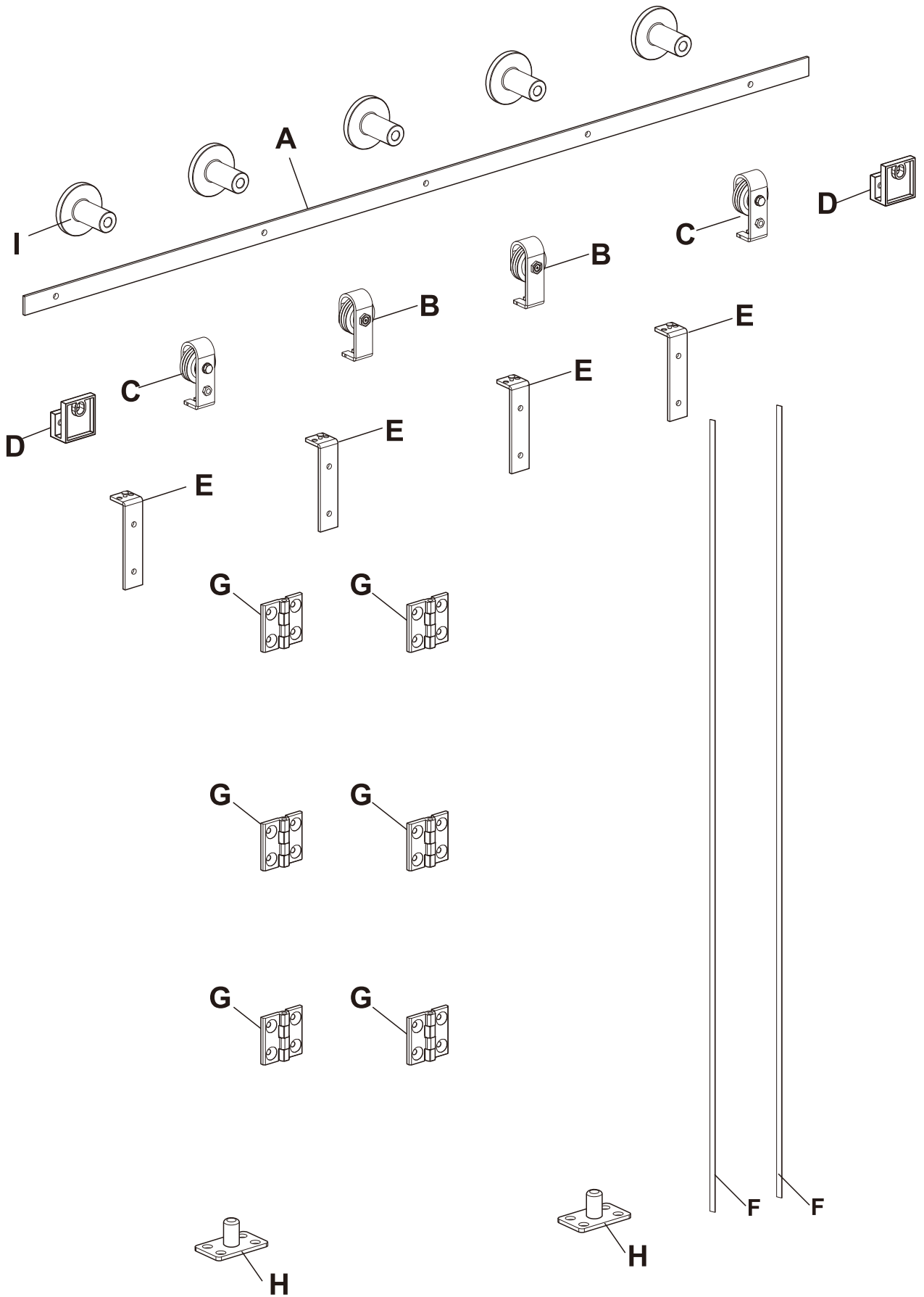




Installation Manual

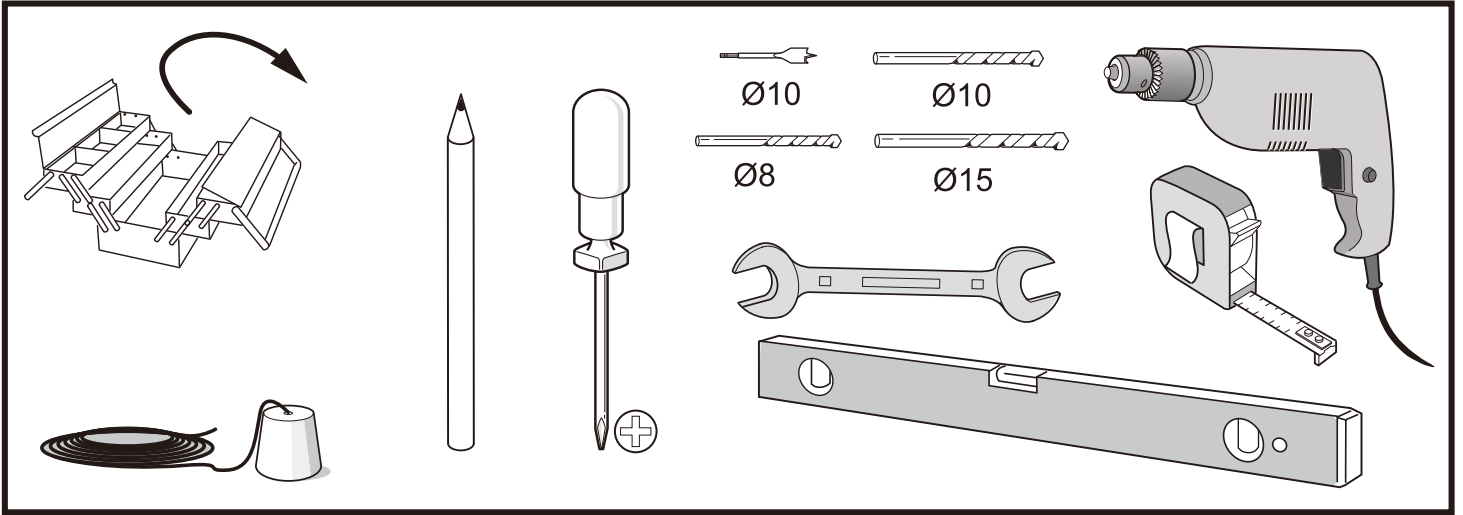


Components list

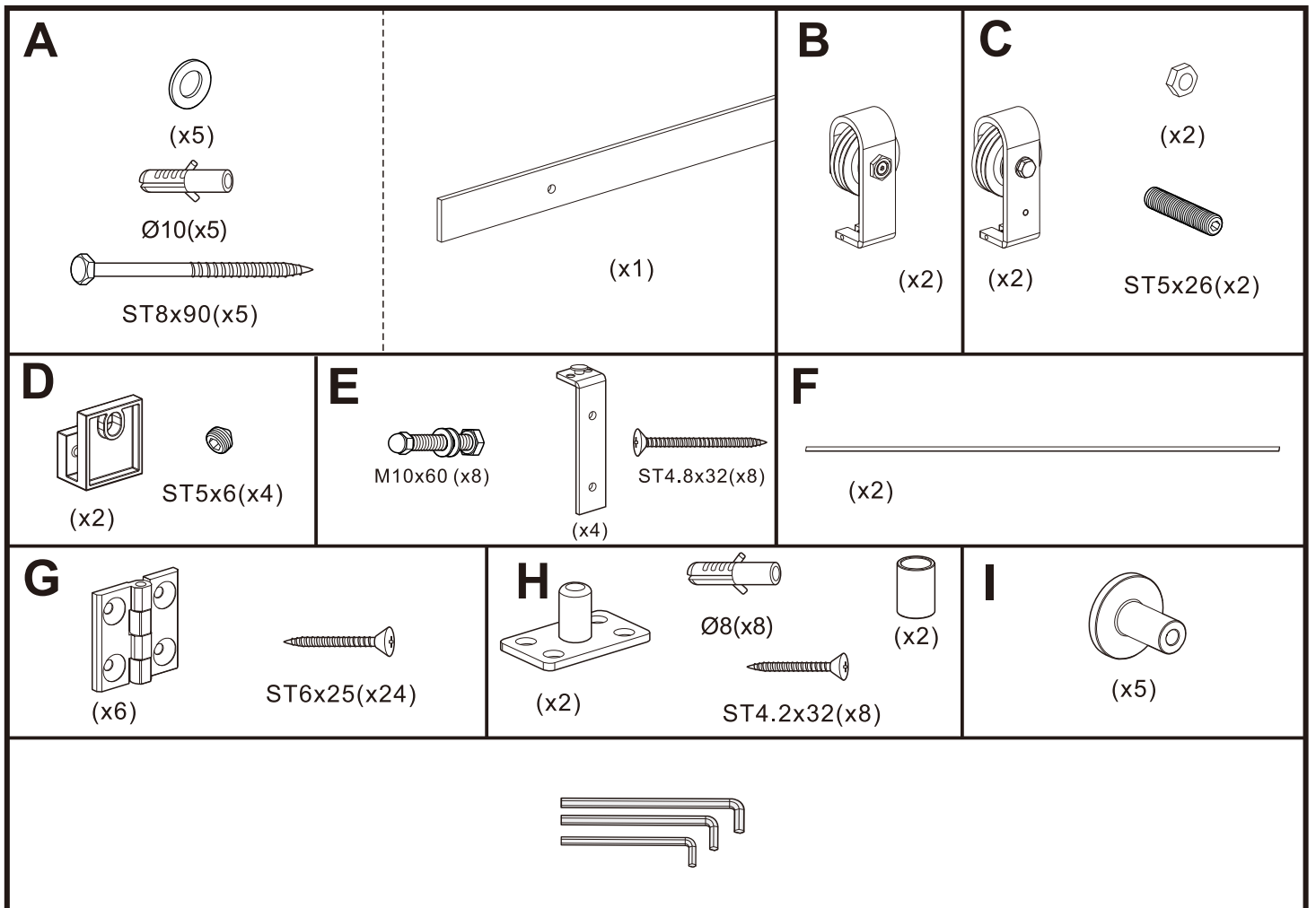


Pre-installation

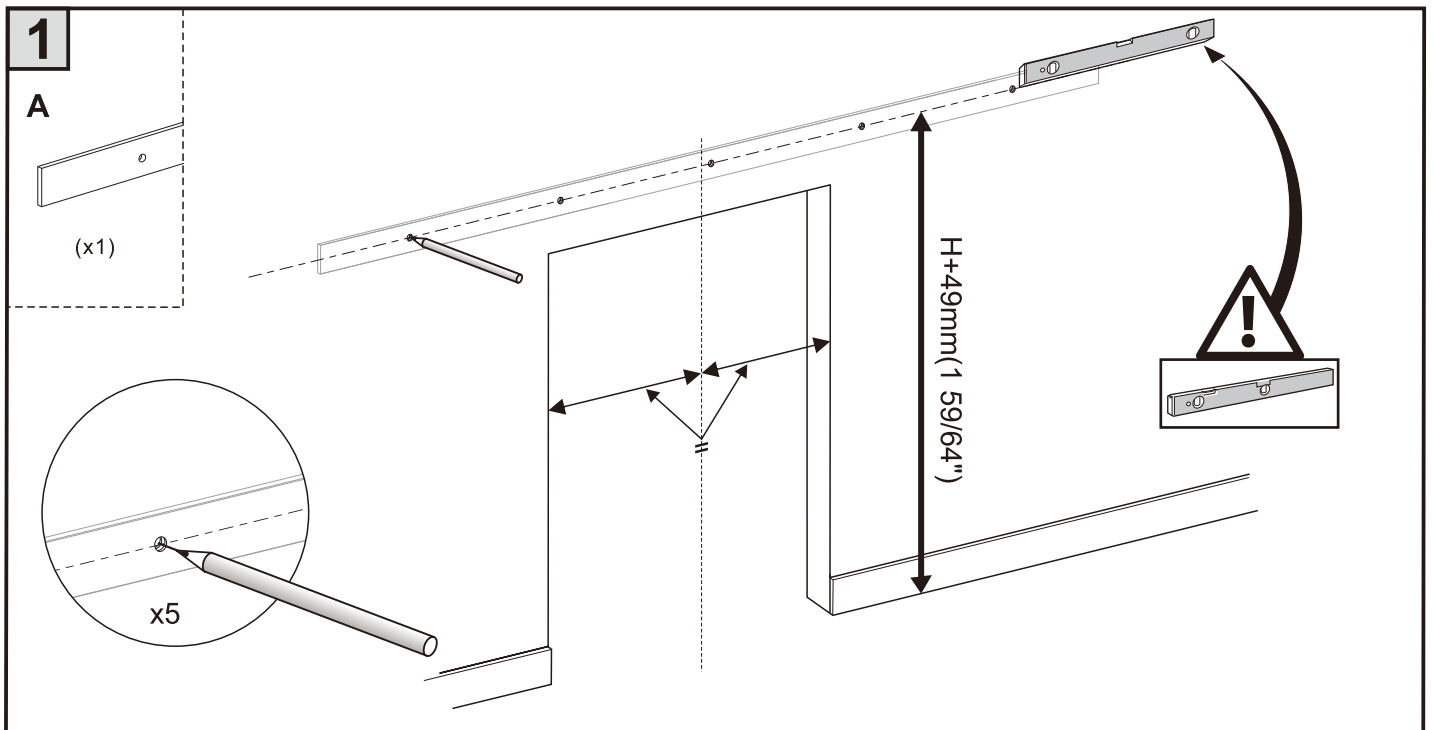
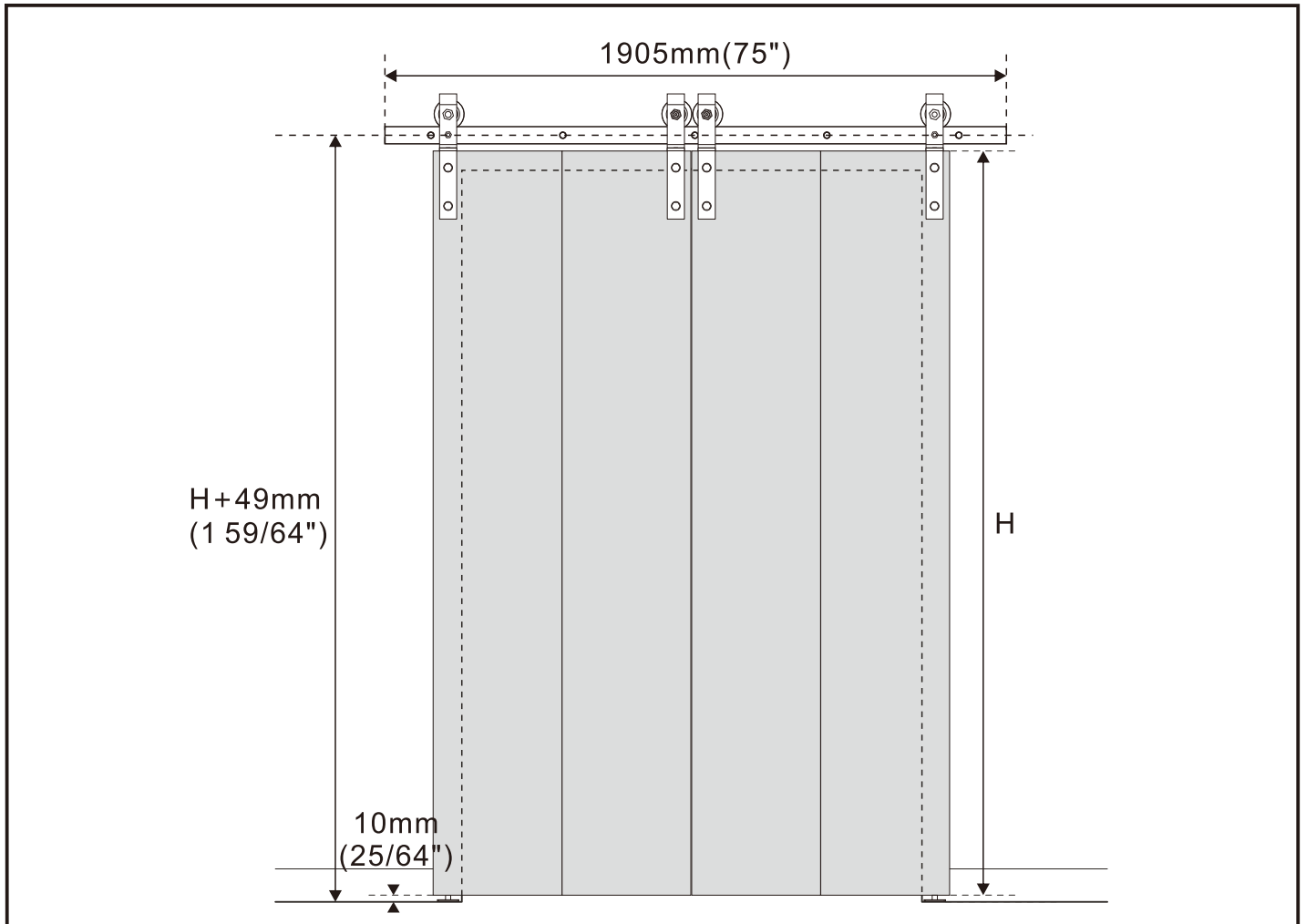
TOOLS REQUIRED



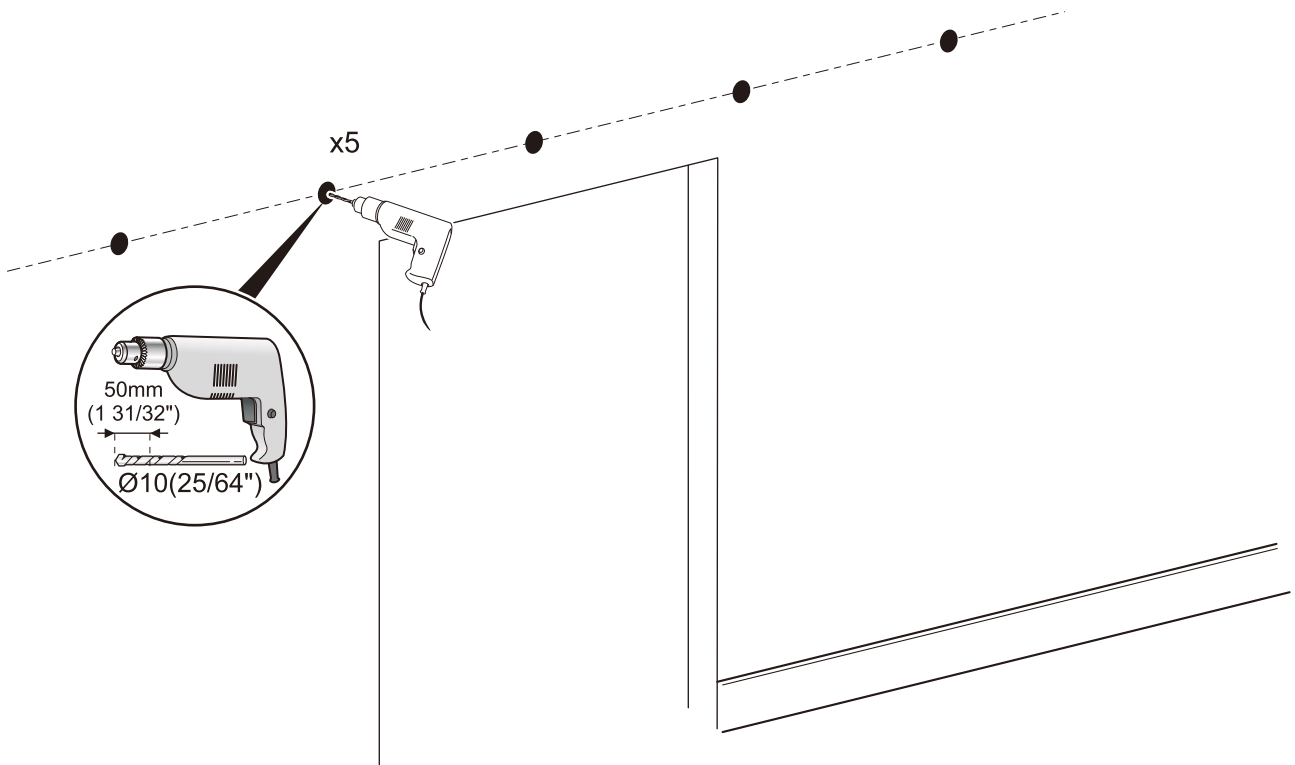
HARDWARE INCLUDED



Installation



2



3

A



(x5)



Ø10X48 (x5)

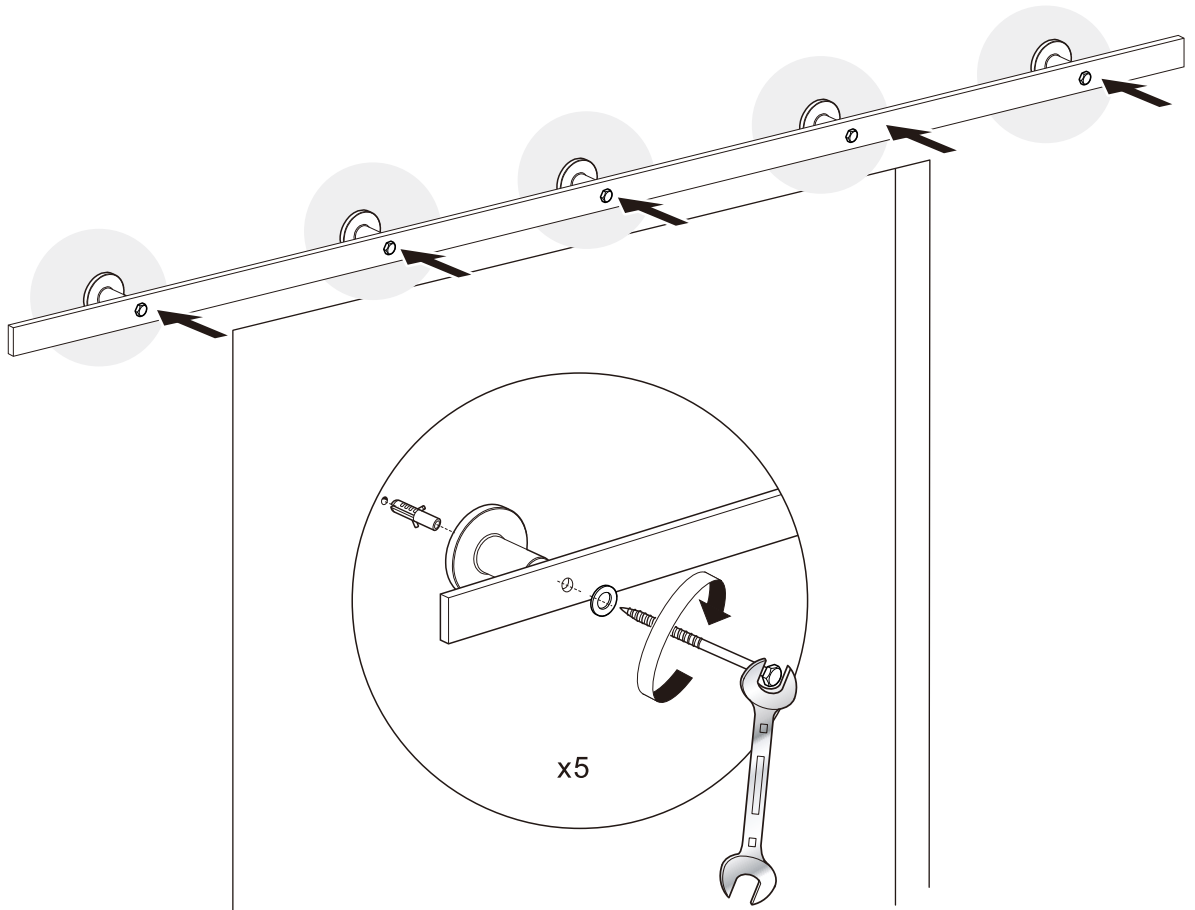


M8x90 (x5)

I

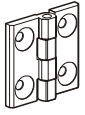


(x5)



4

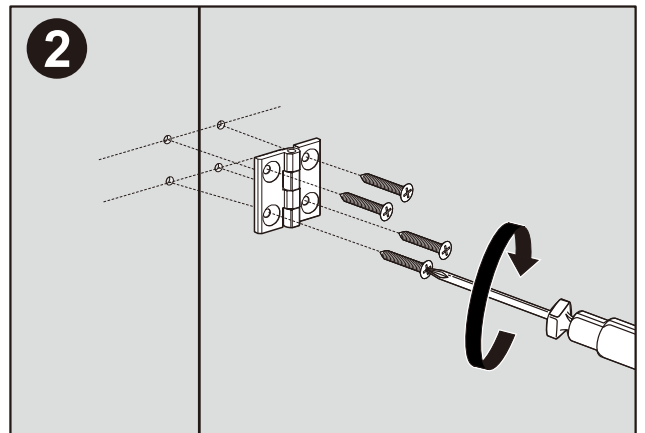
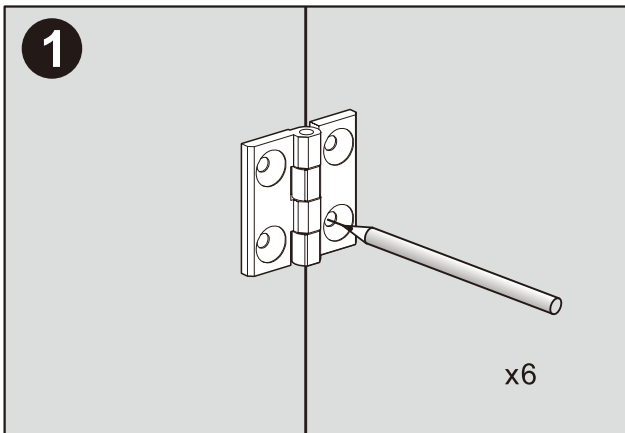
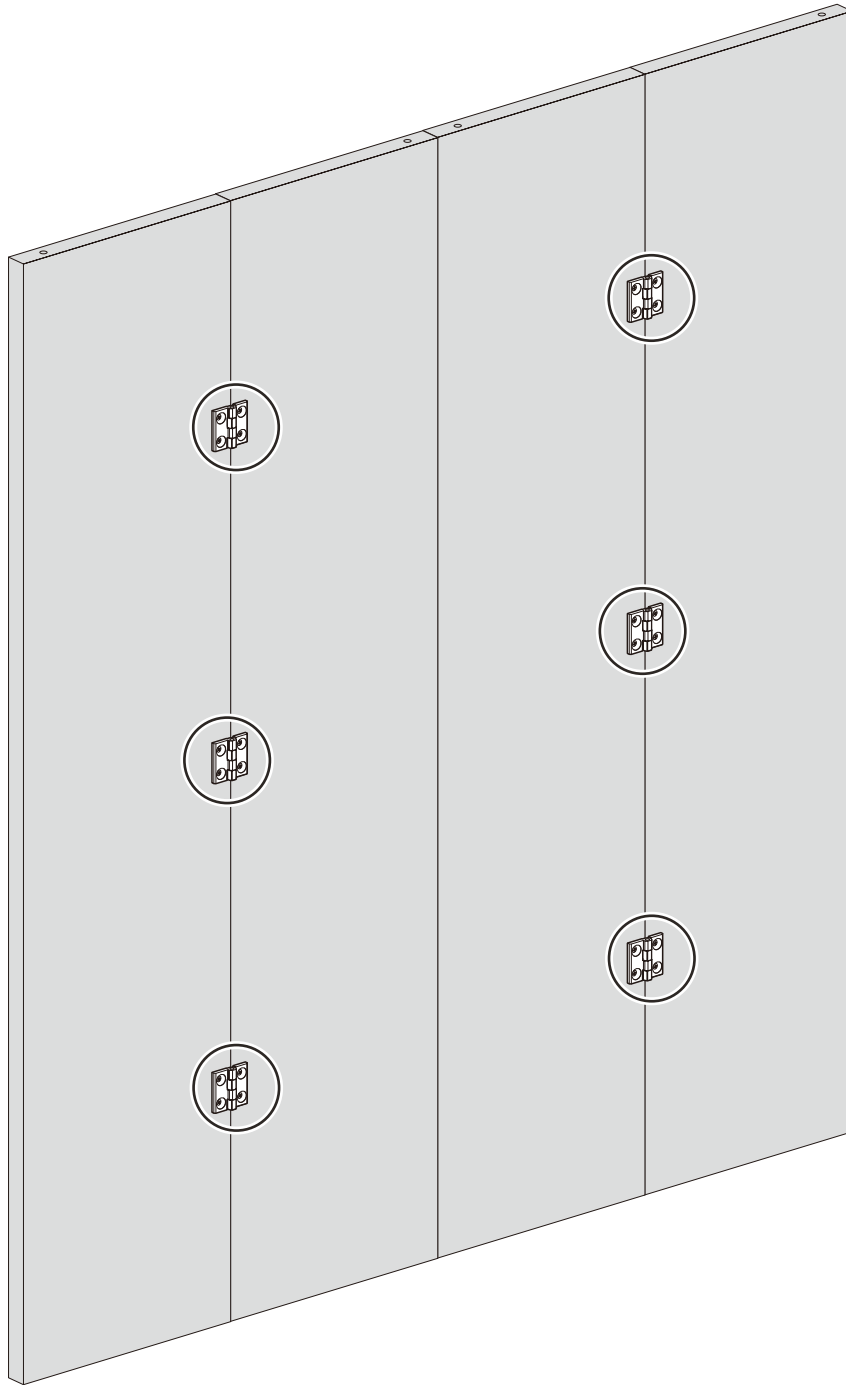
G



(x6)



ST6X25 (x24)

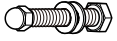


5

E



(x4)

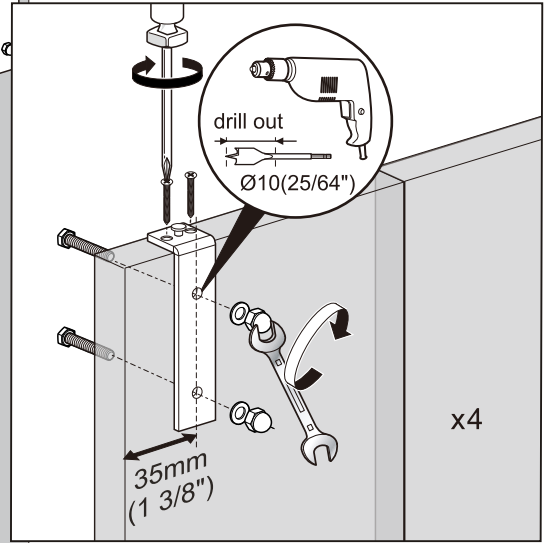
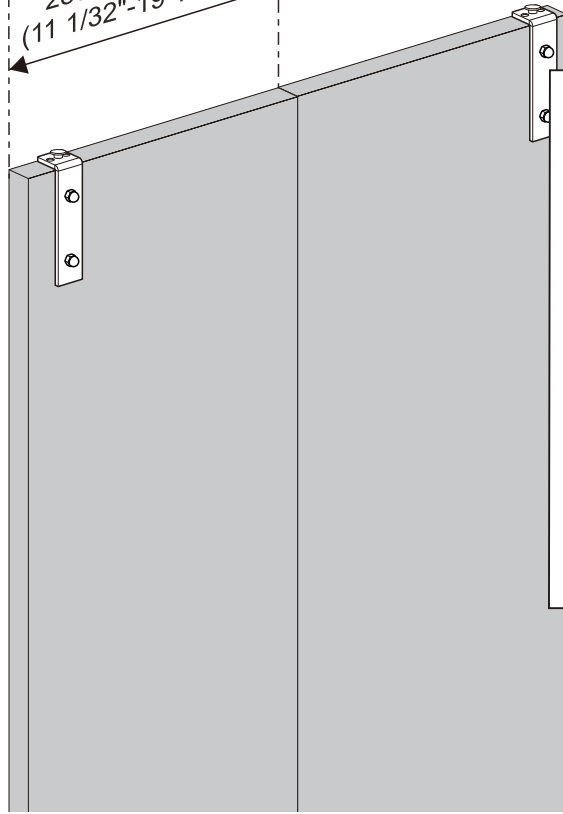


M10x60 (x8)



ST4.8x32(x8)

280mm-500mm
(11 1/32"-19 11/16")



6

B

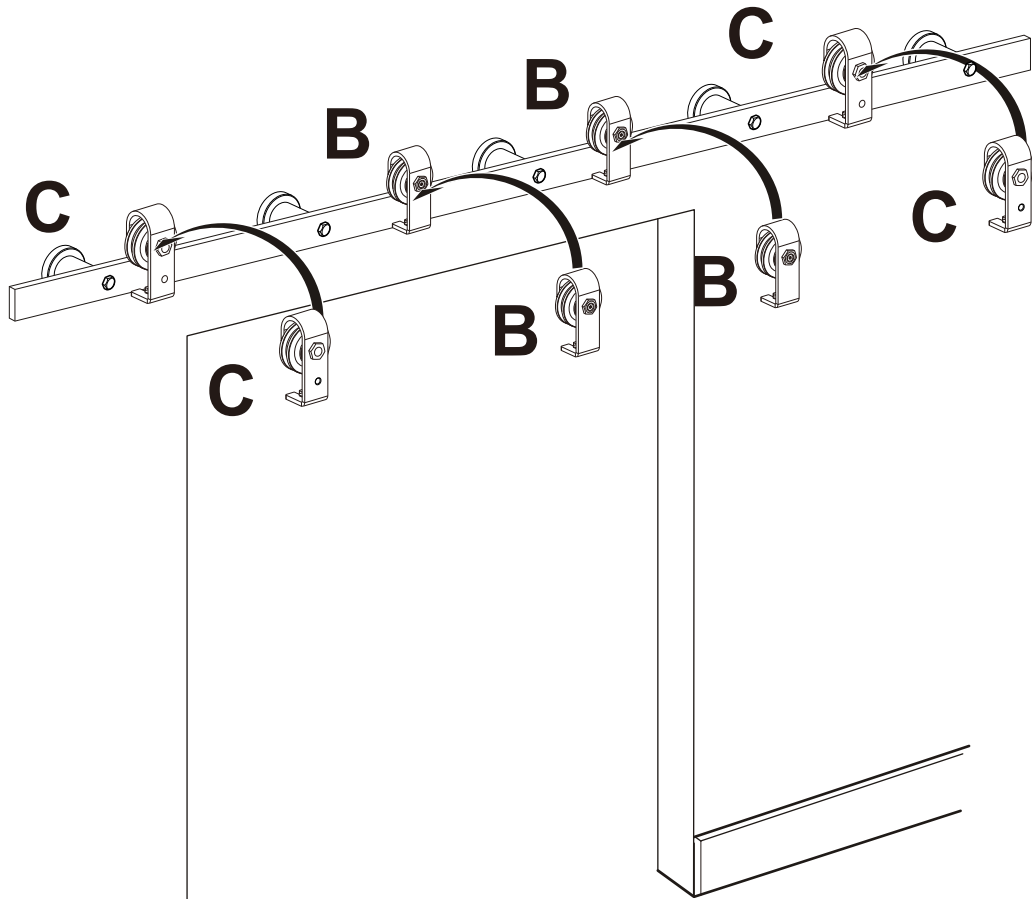


(x2)

C



(x2)

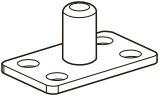


7

H



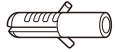
(x2)



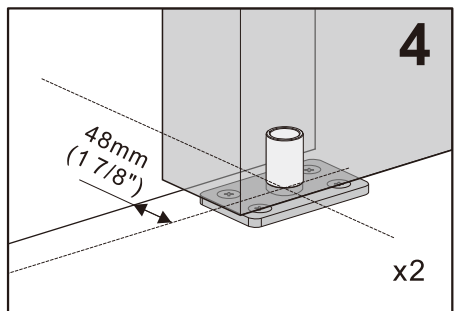
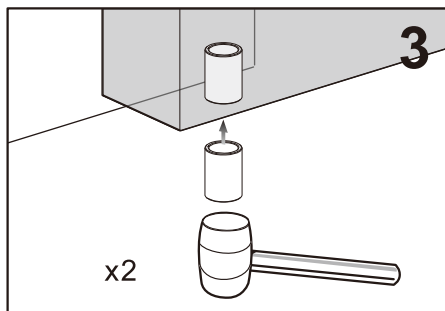
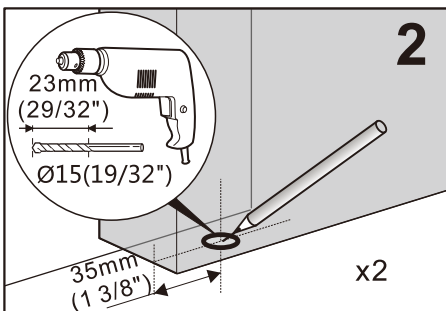
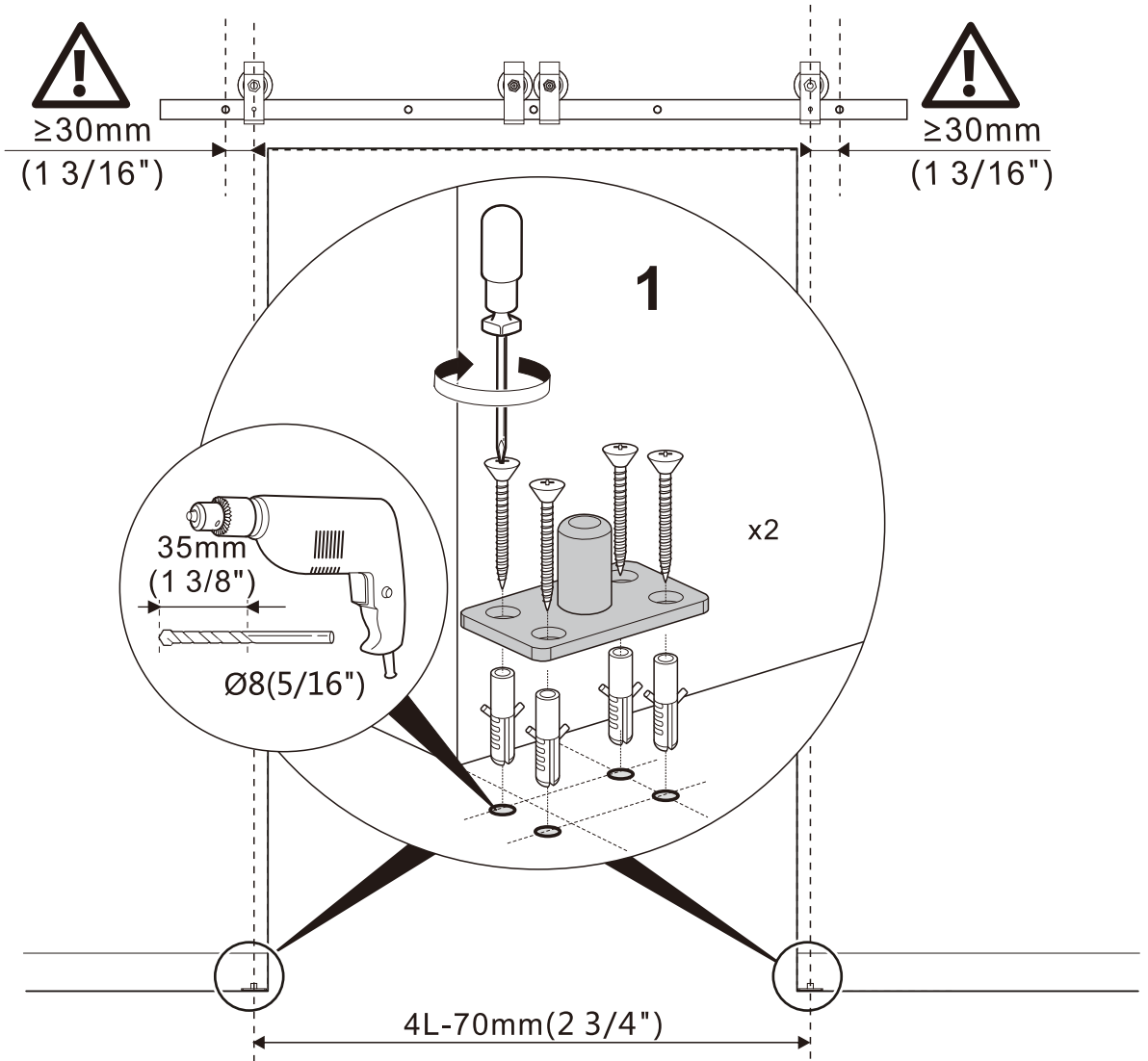
(x2)

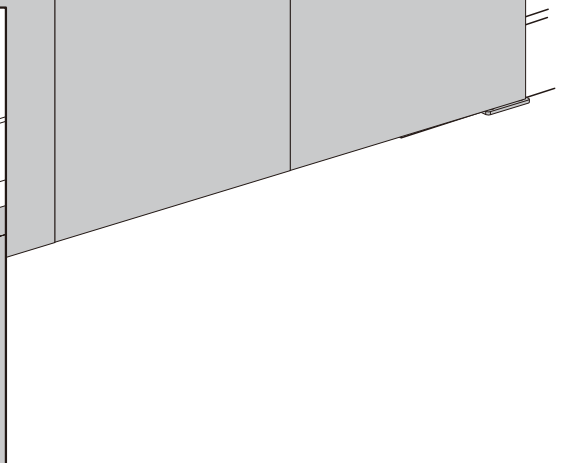
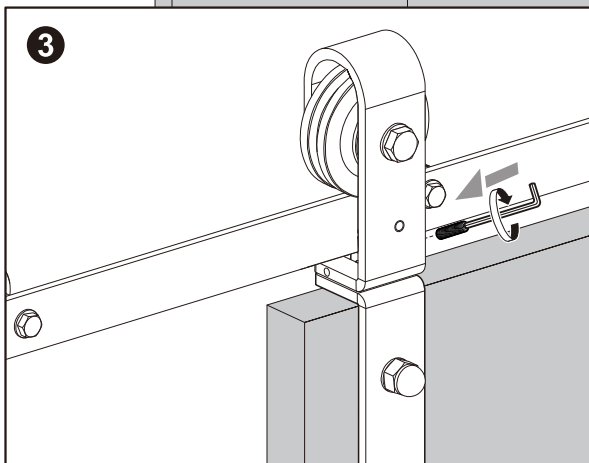
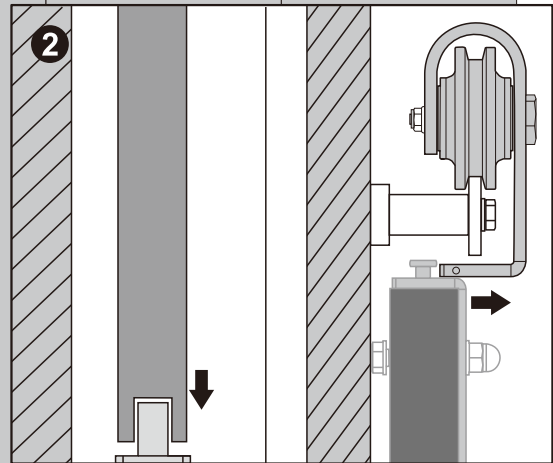
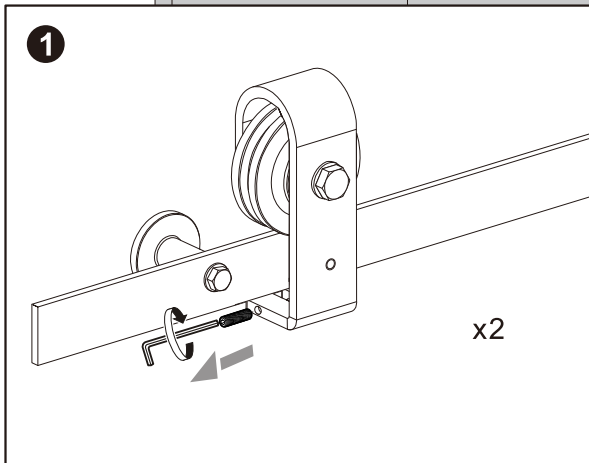
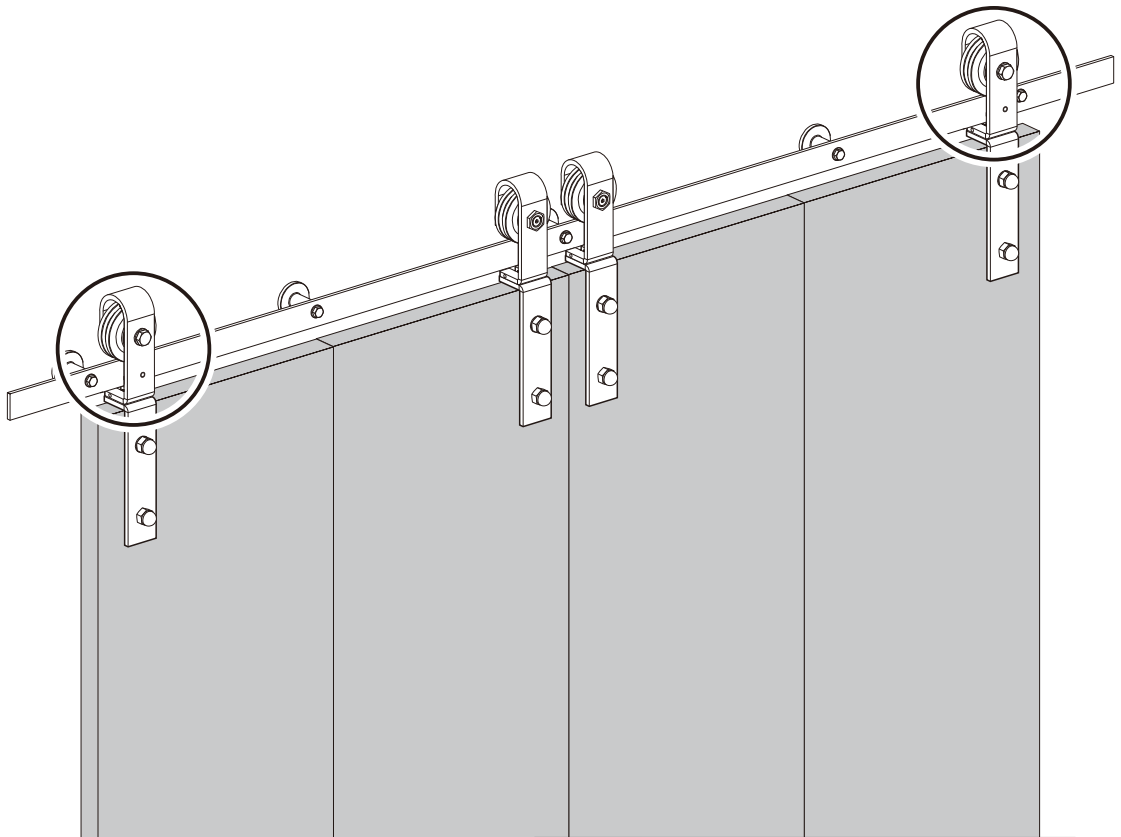


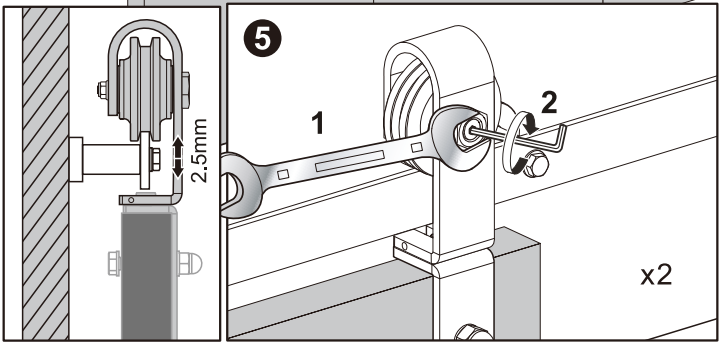
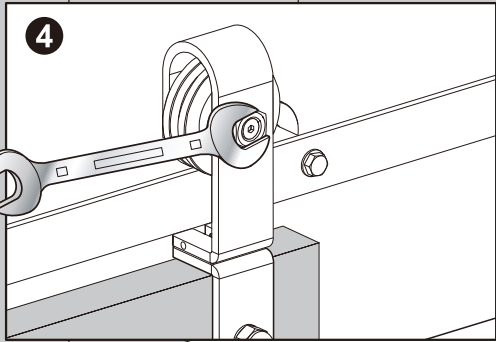
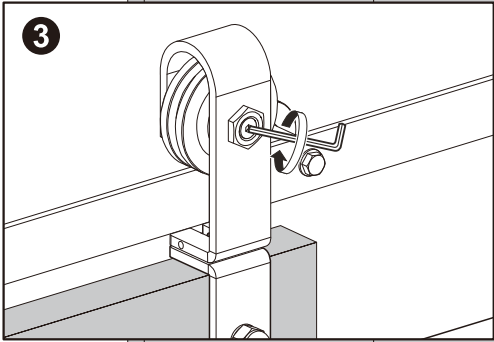
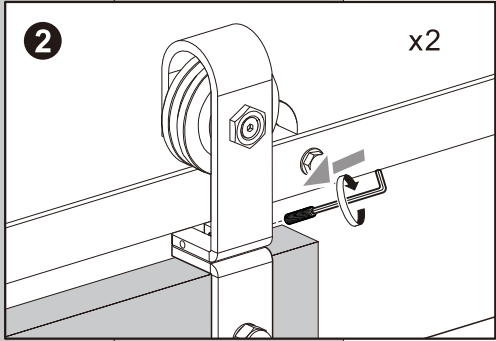
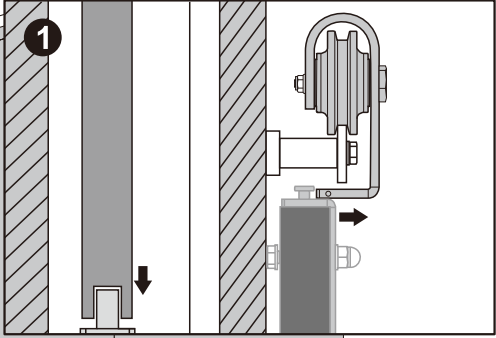
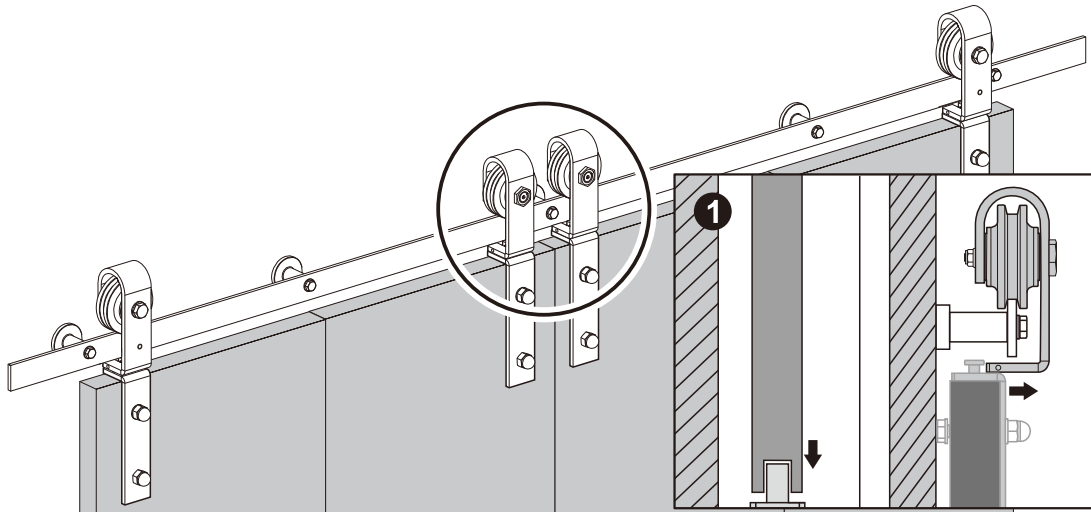
ST4. 2x32(x8)



Ø8(5/16")







10

C

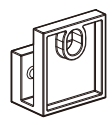


(x2)



ST5x26(x2)

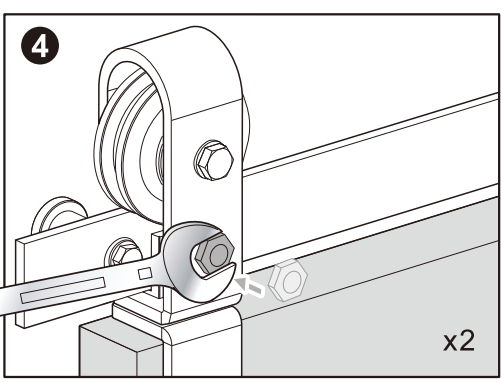
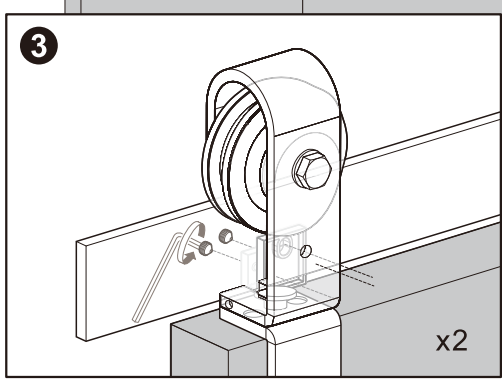
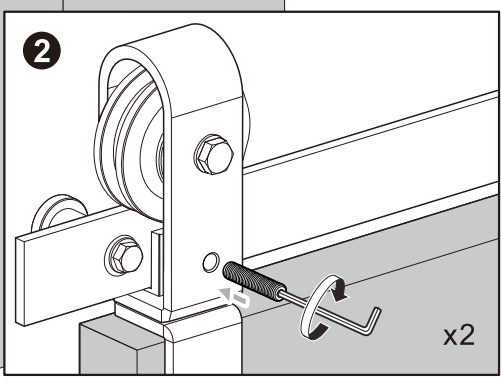
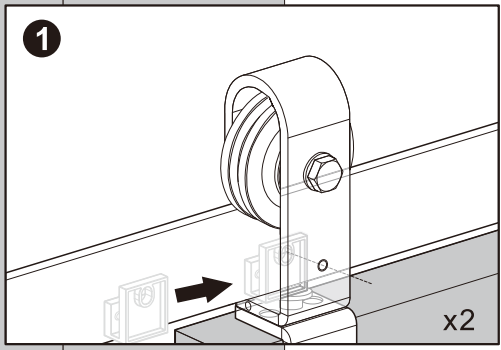
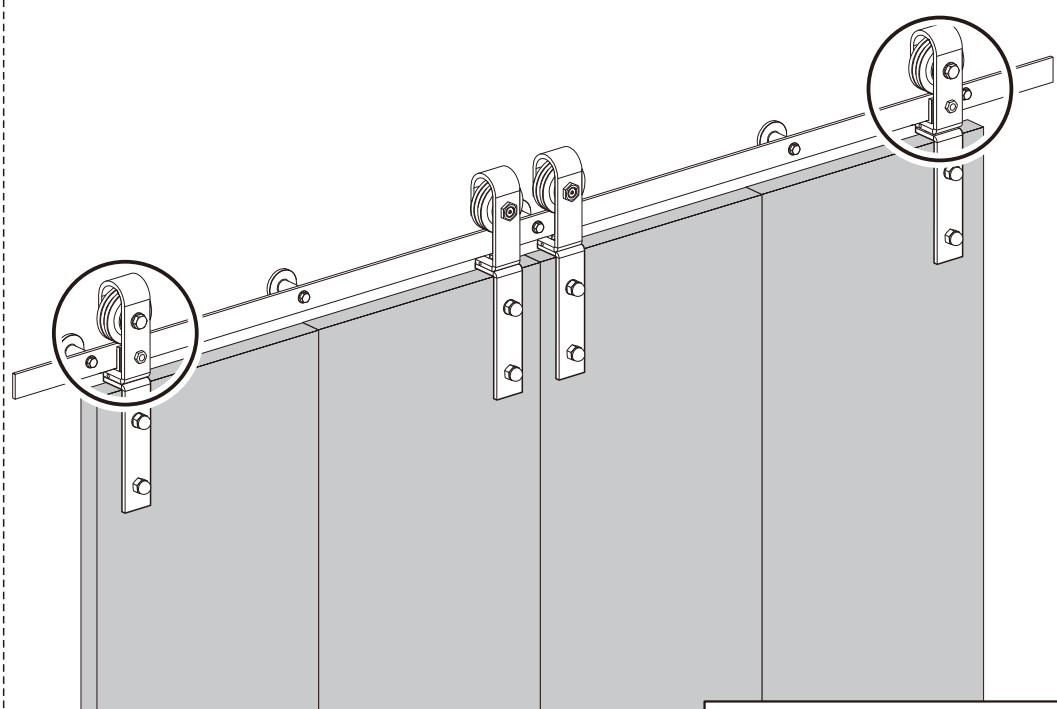
D



(x2)



ST5x6(x4)



11

F



(x2)

