

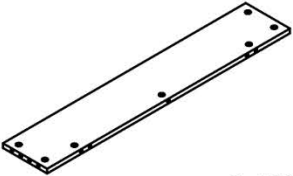
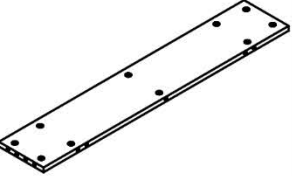
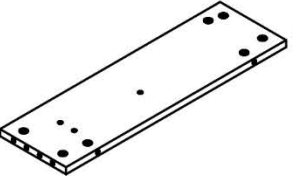
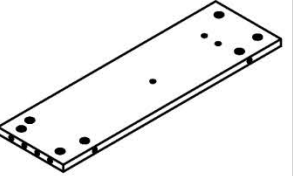
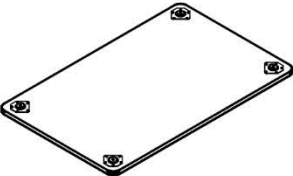
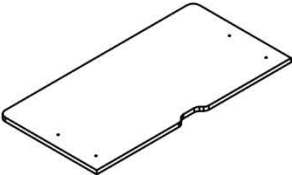
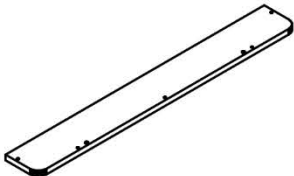
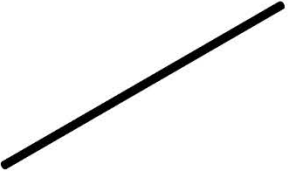
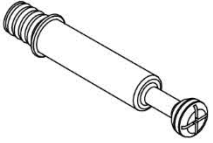

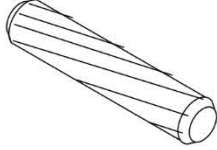
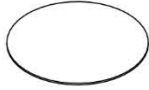
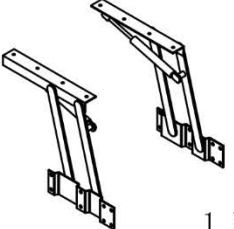



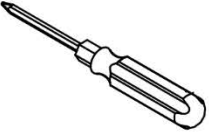
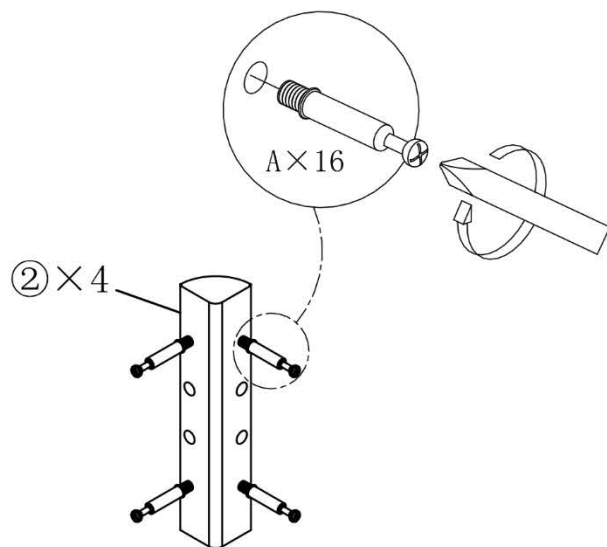
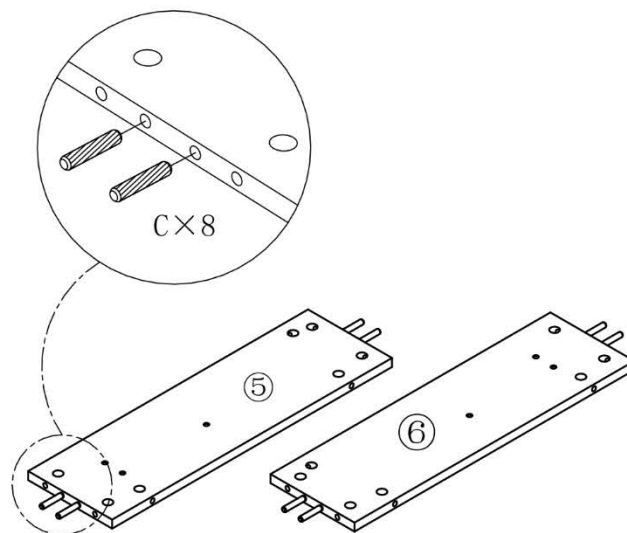


<p>① Solid Wood Leg</p>  <p>4 PCS</p>	<p>② Rounded Bar</p>  <p>4 PCS</p>	<p>③ Panel 3</p>  <p>1 PC</p>	<p>④ Panel 4</p>  <p>1 PC</p>	<p>⑤ Panel 5</p>  <p>1 PC</p>	<p>⑥ Panel 6</p>  <p>1 PC</p>	<p>⑦ Panel 7</p>  <p>1 PC</p>
<p>⑧ Panel 8</p>  <p>1 PC</p>	<p>⑨ Panel 9</p>  <p>1 PC</p>	<p>⑩ Metal Bar</p>  <p>1 PC</p>	<p>A. Dowel Pin Bolt</p>  <p>31+1 PCS</p>	<p>B. Cam Bolt Nut</p>  <p>31+1 PCS</p>	<p>C. Wood Dowel Pin</p>  <p>18+1 PCS</p>	<p>D. White Stiker</p>  <p>31+1 PCS</p>
<p>E. Lift Mechanism</p>  <p>1 PC</p>	<p>F. M6 Screw</p>  <p>2 PCS</p>	<p>G. M5 Screw</p>  <p>10+1 PCS</p>	<p>H. Spare Screw</p>  <p>10 PCS</p>	<p>I. Screwdriver</p>  <p>1 PC</p>		
					<p>Attention: First o all, put a piee of carton or rug on the floor, then begin to install the panels, so as to prevent the parts from scratch.</p>	

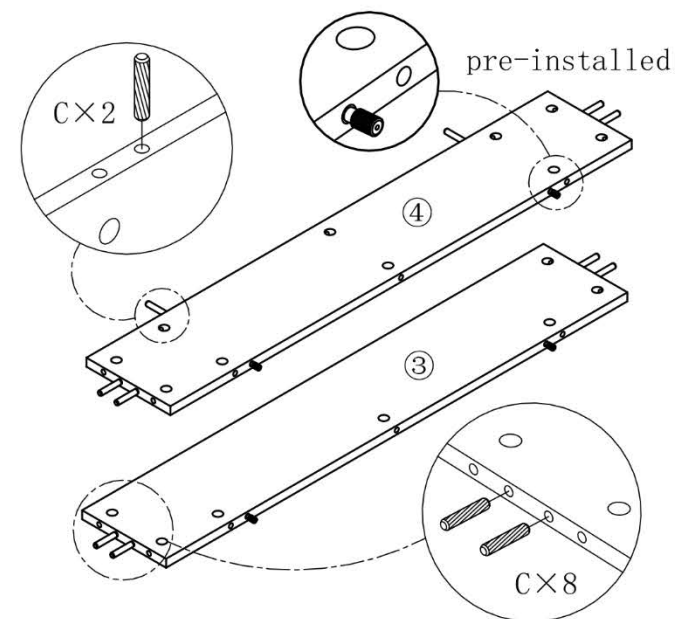
STEP #1 Find 4 Rounded Bars (part 2) and screw 4 dowel pin bolts (part A) in each of them.



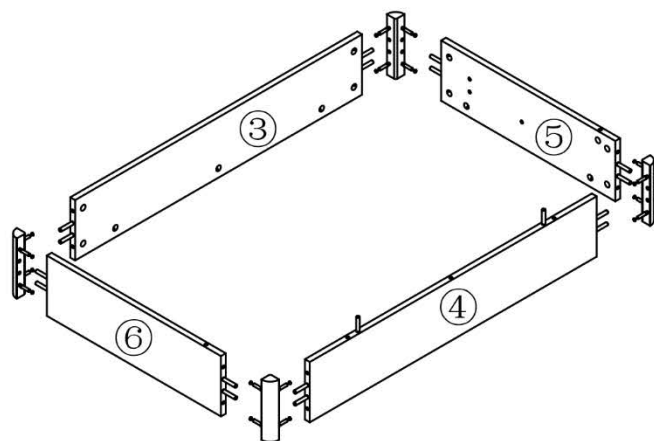
STEP #2 Insert 2 wood dowel pins (part C) into each side of panel 5 & 6



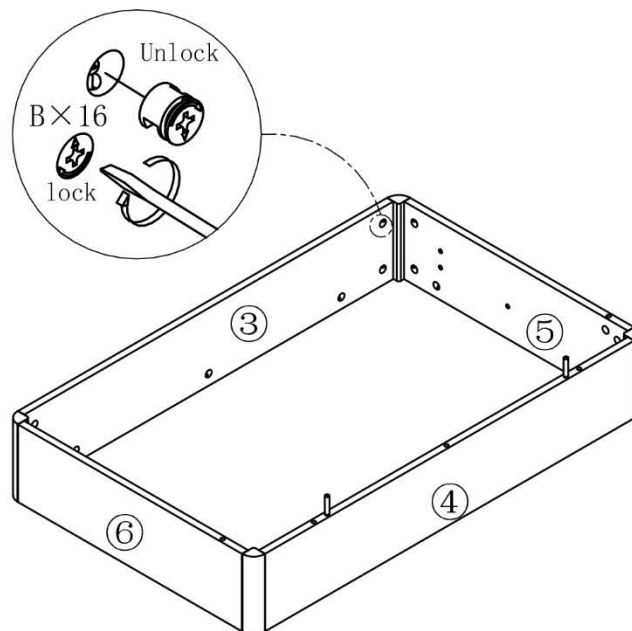
STEP #3 Insert 2 wood dowel pins into each side of panel 3 & 4, and 2 wood dowel pins into top of panel 4.



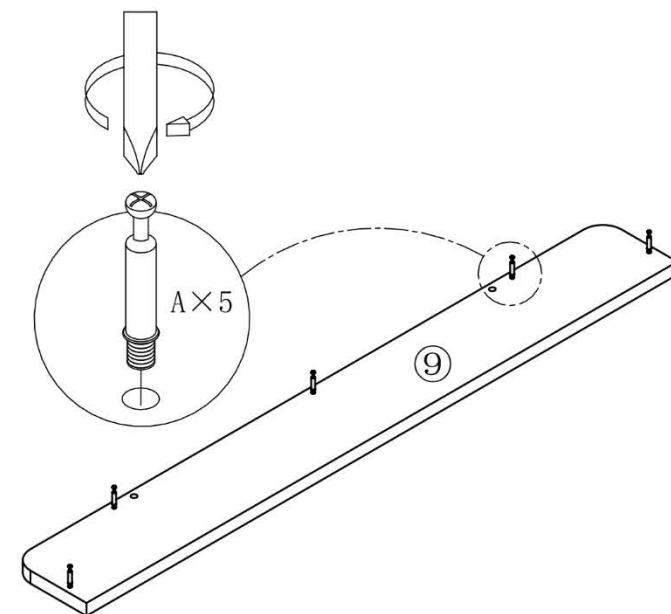
STEP #4 Put rounded bars (part 2) and panel 3-6 together.



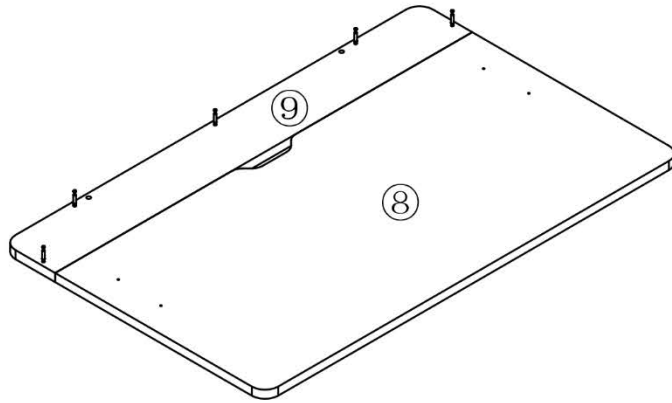
STEP #5 Put 16 cam bolt nuts (part B) inside the holes on panel 3-6, then screw to lock them.



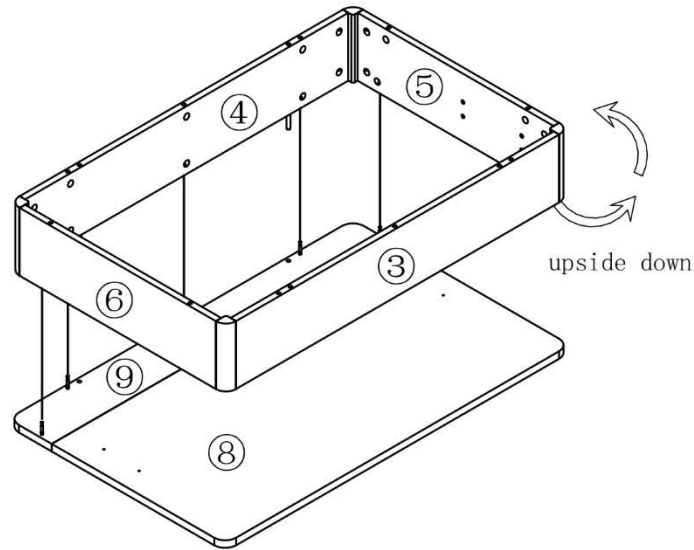
STEP #6 Find panel 9 and screw 5 dowel pin bolts (part A) into it.



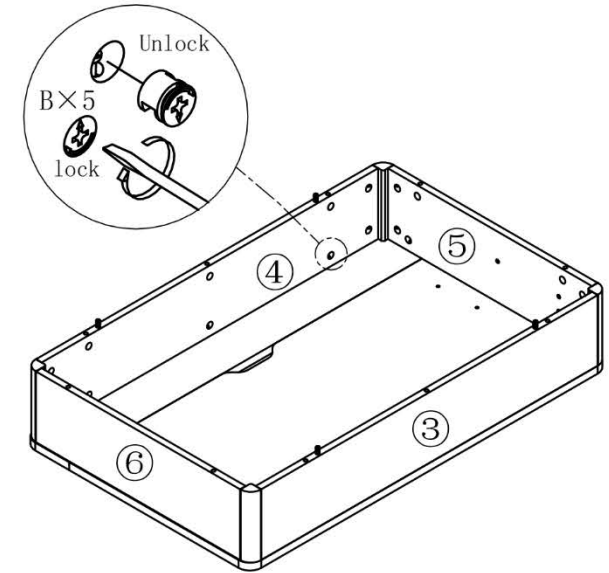
STEP #7 Place panel 8 and panel 9 together and align them.



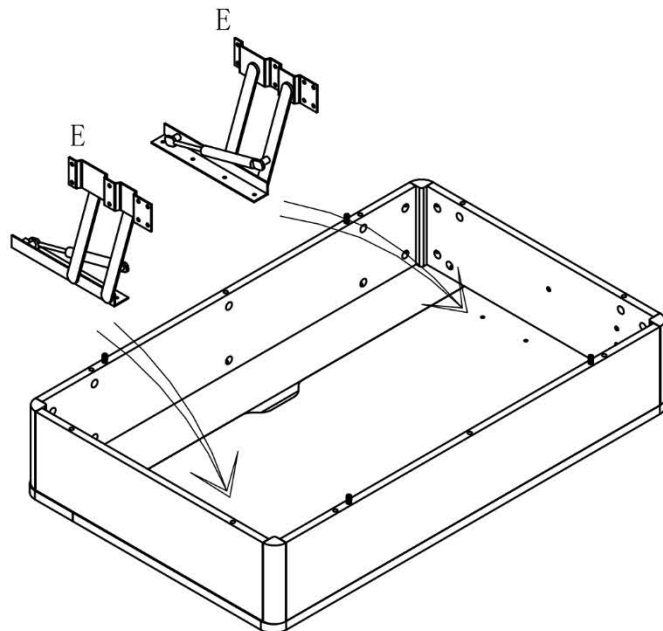
STEP #8 Turn the assembled table frame (step 5) upside down then Fit it on panel 8 & 9.



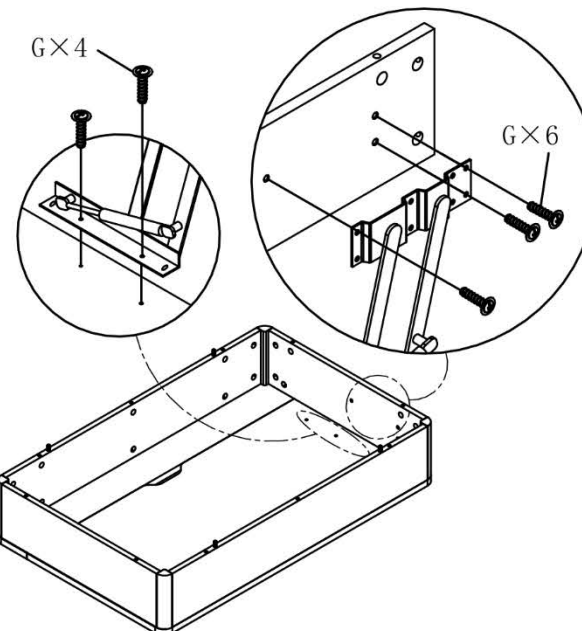
STEP #9 Put 5 cam bolt nuts (part B) inside the holes on panel 4&5&6, then screw to lock them.



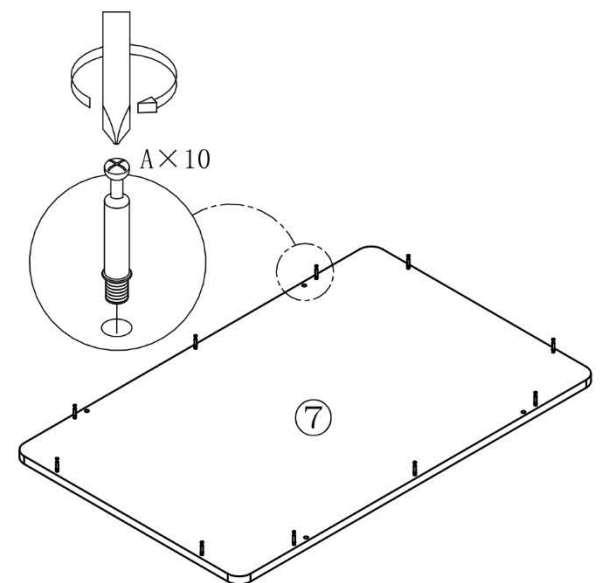
STEP #10 Prepare two lift mechanisms and align them with pre-drilled holes on panels.



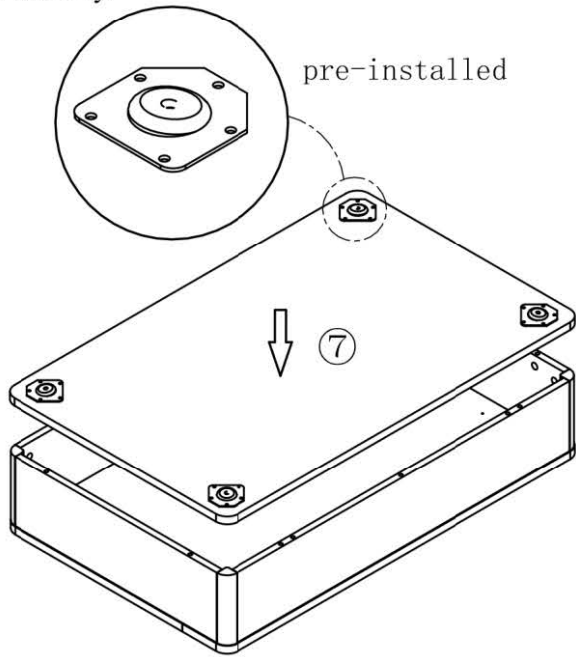
STEP #11 Find 10 m5 screws and fasten lift mechanisms to the panel 5 & 6 & 8.



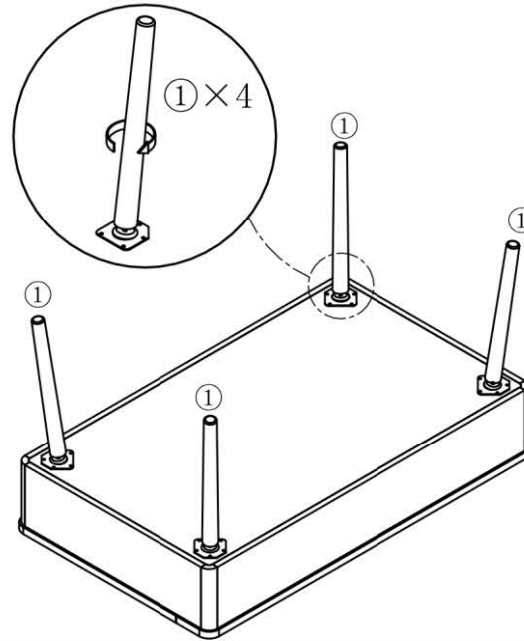
STEP #12 Find panel 7 and screw 10 dowel pin bolts (part A) into it.



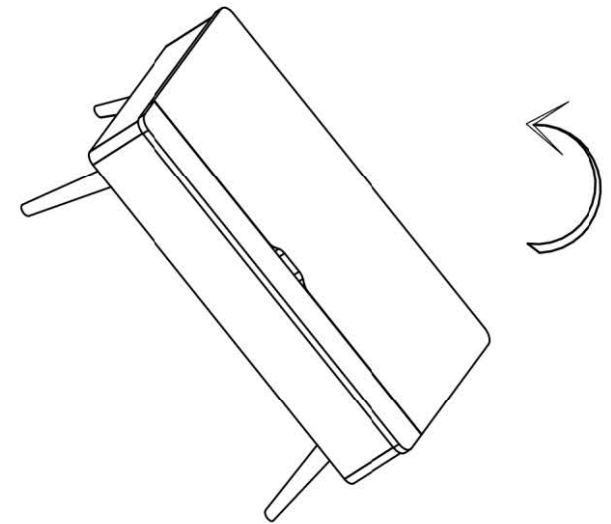
STEP #13 Fit panel 7 onto table frame, align the bolts and pins carefully.



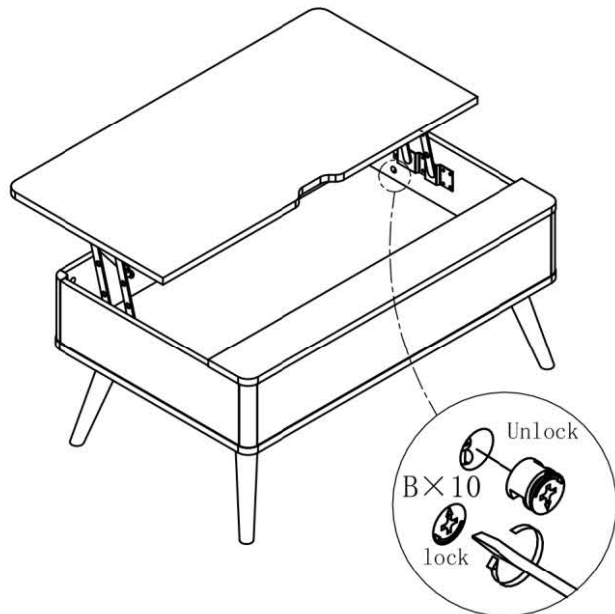
STEP #14 Fasten 4 solid wood legs on to pre-assembled metal plates on panel 7



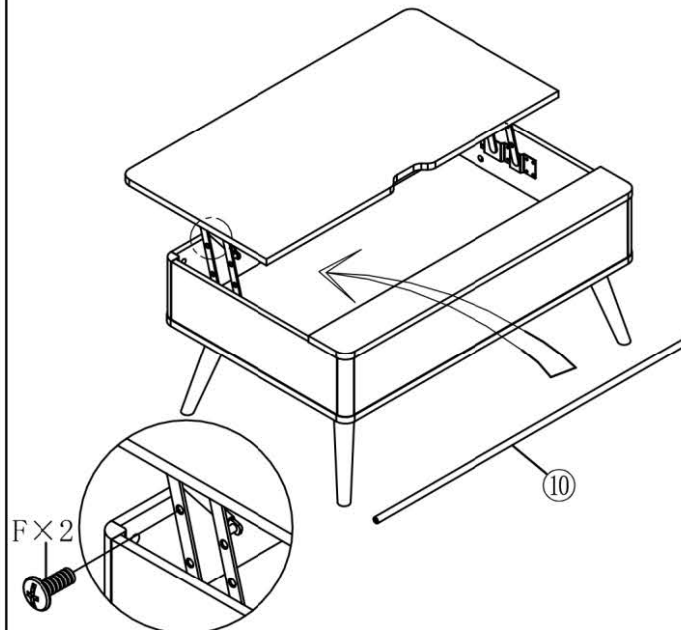
STEP #15 Hold the liftable side (Panel 8) and carefully flip the coffee table.



STEP #16 Lift the tabletop, put 10 cam bolt nuts (part B) inside the holes on panel 3-6, then screw to lock them.



STEP #17 Place metal bar (Part 10) between two lift mechanisms, fasten two m6 screws (part F) into it.



STEP #18 (Optional) Put 31 white stickers (Part D) on the cam bolt nuts to cover them. Then you are all set!

