
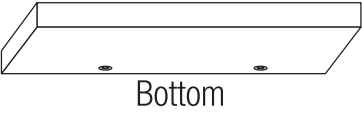
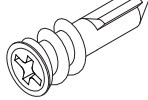
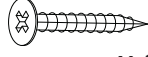
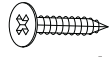
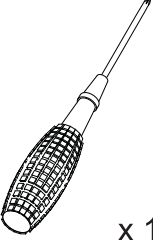
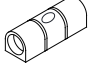

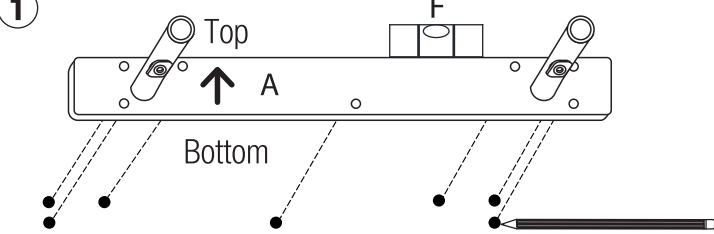


Package Contents:

Tools Required: (Not Included): Drill, Hammer, Pencil

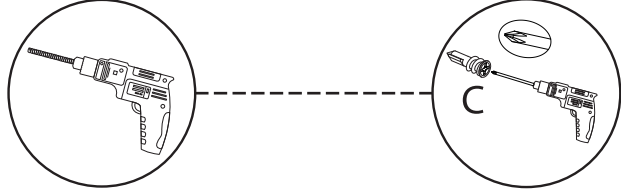
<p><b>A</b> Wall Mount</p>  <p>x 2</p>	<p><b>B</b> Shelf</p>  <p>x 2</p>	<p><b>C</b> Wall Anchor</p>  <p>x 14</p>	<p><b>D</b> Wall Screw</p>  <p>x 14</p>	<p><b>E</b> Shelf Screw</p>  <p>x 4</p>	<p><b>H</b> Screwdriver</p>  <p>x 1</p>
		<p><b>F</b> Level</p>  <p>x 1</p>	<p><b>G</b> Cap Sheet</p>  <p>x 2</p>		

**1**



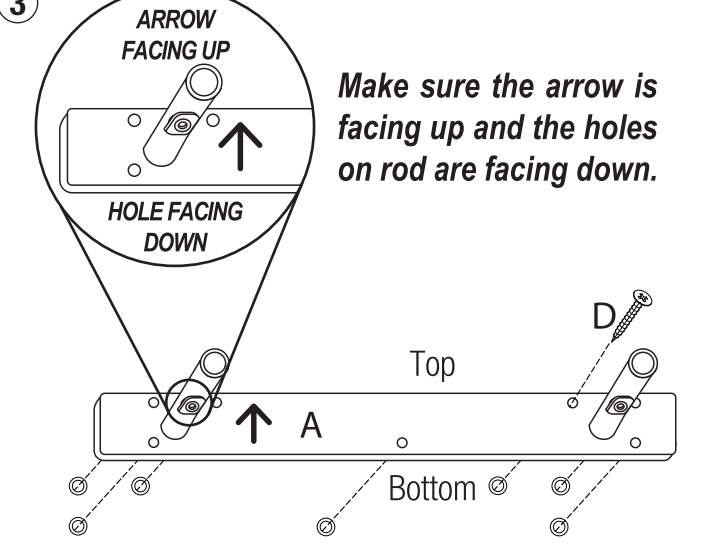
**Step 1:** For each step the arrow needs to be facing up. Using the level (F) for accuracy, place wall mount (A) against wall where you want the floating shelves to hang. Mark each hole with a pencil.

**2**



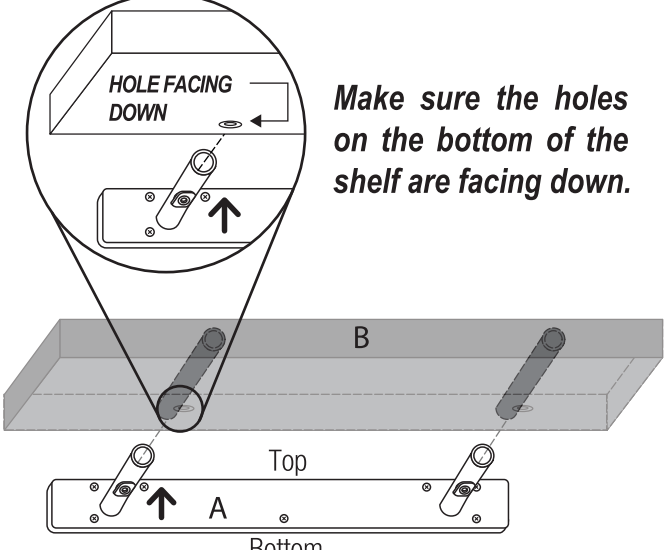
**Step 2:** Drill holes into all the marked areas with the twist drill bit. Then put all wall anchors (C) into the holes with a plus bit.

**3**



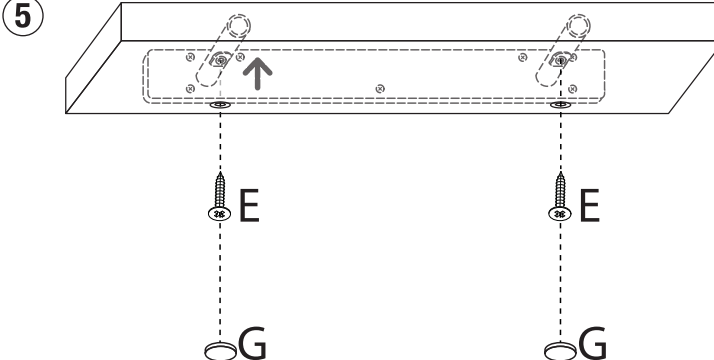
**Step 3:** Insert wall screws (D) through wall mount (A) and into placed wall anchors (C) and secure with screwdriver (H). *Make sure the arrow is facing up and the holes on rod are facing down.*

**4**



**Steps 4:** Slide shelf (B) into wall mount (A) ends. *Make sure the holes on the bottom of the shelf are facing down.*

**5**



**Step 5:** Insert shelf screws (E) and caps (G) from underneath the shelf. Make sure shelf is secure before use. Repeat with all shelves. Add your favorite decorative item(s) and enjoy!