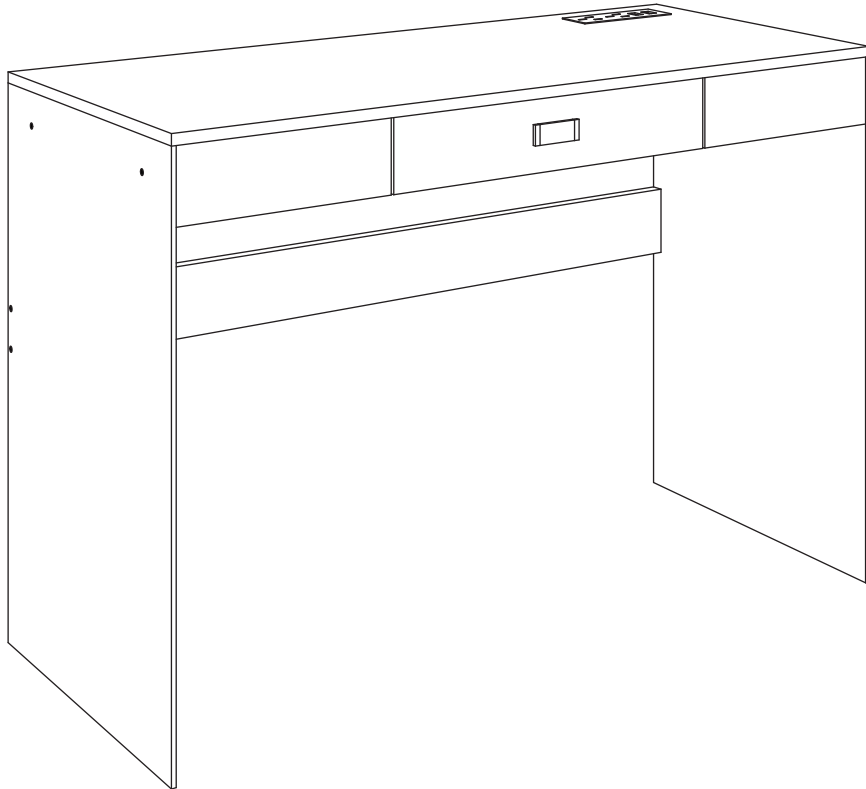


42" DESK WITH USB

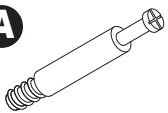

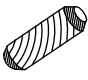




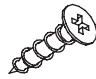
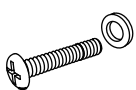

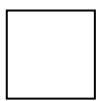
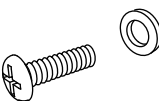


THANK YOU FOR YOUR ORDER!
ENCLOSED PLEASE FIND A POLISHING CLOTH FOR YOUR USE TO CLEAN THE GLASS
OF THIS PRODUCT.
PLEASE ALSO CALL US IF YOU HAVE ANY QUESTIONS.

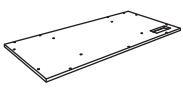
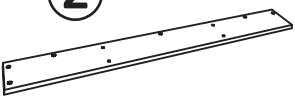
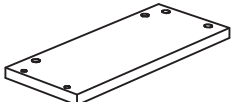
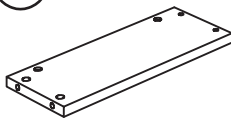

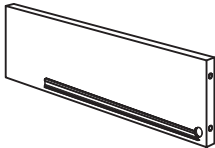
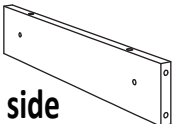
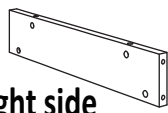

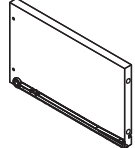
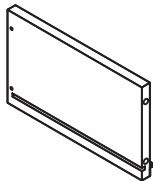
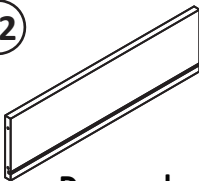
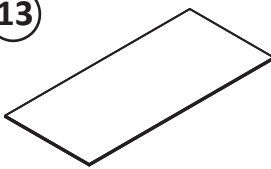
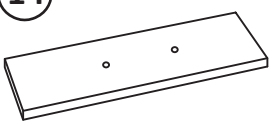
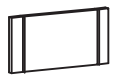

ASSEMBLY INSTRUCTIONS

We have designed our furniture with you , the customer in mind . Our clear , easy to follow , step by step instructions will guide you through the project from start to finish .
Feel confident that this will be a fun and rewarding project . The final product will be a quality piece of furniture that will go together smoothly and give years of enjoyment .

Hardware List

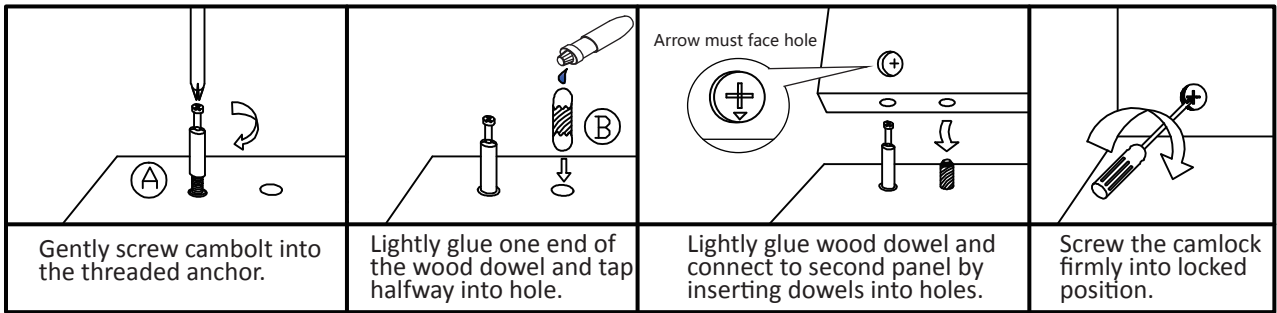
A 	B 	C 	D 
Cambolt (25pcs)	Camlock (25pcs)	Wood dowel (10pcs)	Screw (2pcs)
E 	F 	G  <small>Glue : For securing please apply to wood dowel first before inserting into panel .</small>	H 
Drawer screw (4pcs)	Socket strip (1pc)	Glue (1pc)	Knob screw (2pcs)
I 	J 	K 	L 
Long Screw and washer (4pcs)	Locking nut (4pcs)	Polishing cloth (1pc)	Short Screw and washer (4pcs)

Panel List

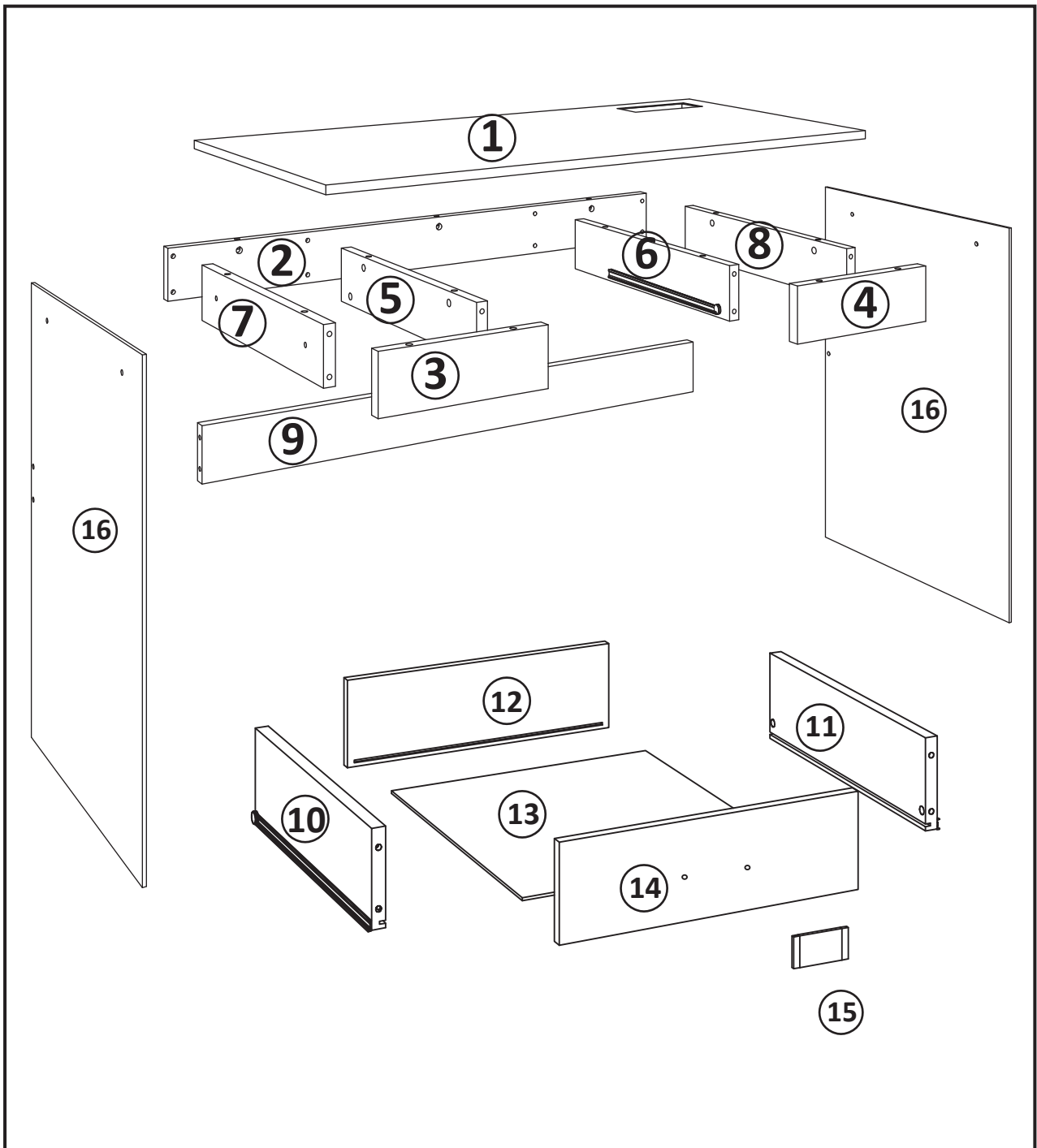
1 	2 	3 	4 
Top panel (1pc)	Top back panel (1pc)	Left front panel (1pc)	Right front panel (1pc)
5 	6 	7 	8 
Left support panel (1pc)	Right support panel (1pc)	Left side panel (1pc)	Right side panel (1pc)
9 	10 	11 	12 
Bottom back panel (1pc)	Drawer left panel (1pc)	Drawer right panel (1pc)	Drawer back panel (1pc)
13 	14 	15 	16 
Drawer bottom panel (1pc)	Drawer front panel (1pc)	Knob (1pc)	Glass panel (2pcs)

Please count and verify all parts before assembly .

Assembling the unit with camlocks and wood dowels.



Exploded Views



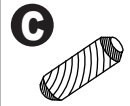
Step 1

*Assemble unit on carpet or soft surface.

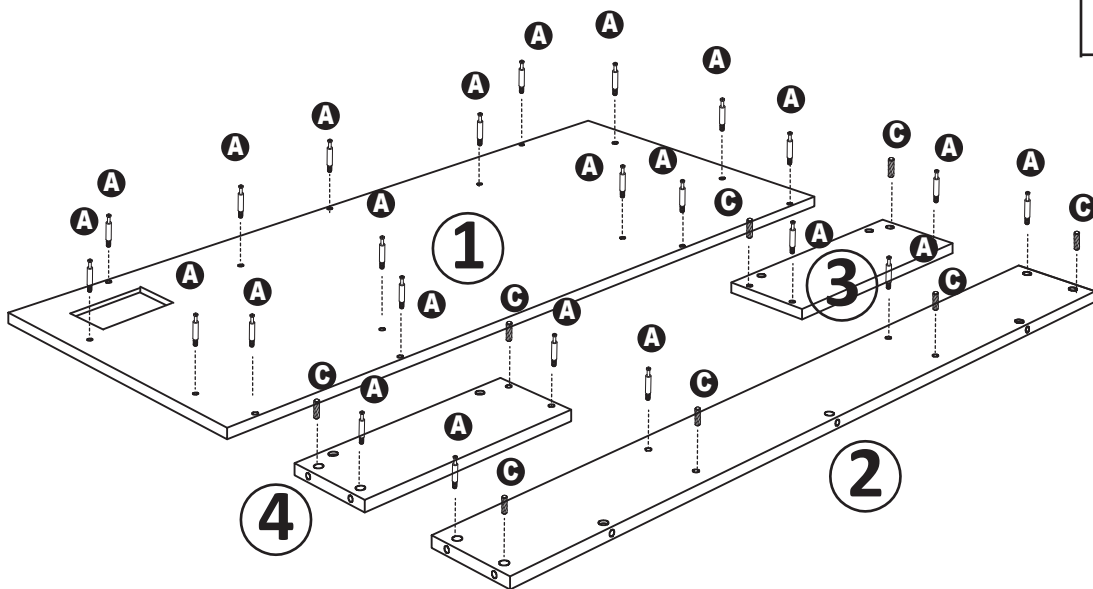
1. Insert cambolts (A) and wooden dowels (C) into top panel ① top back panel ② left front panel ③ and right front panel ④ as shown.



x 23



x 8

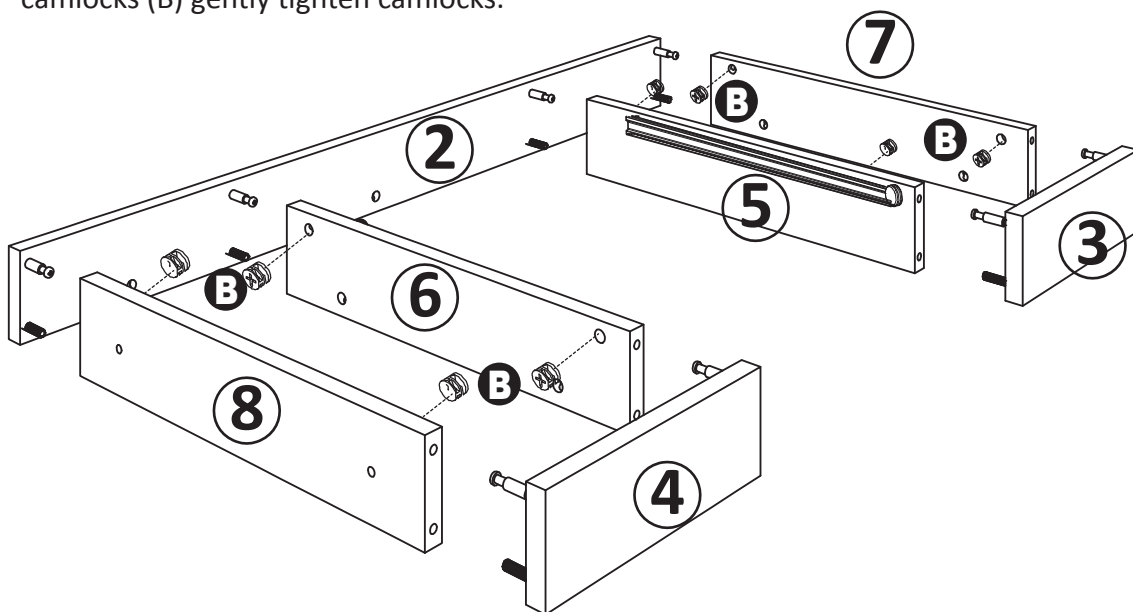


Step 2

1. Attach left support panel ⑤ right support panel ⑥ left side panel ⑦ and right side panel ⑧ to back panel ② as shown using camlocks (B) gently tighten camlocks.
2. Attach left front panel ③ and right front panel ④ to assembly using camlocks (B) gently tighten camlocks.



x 8



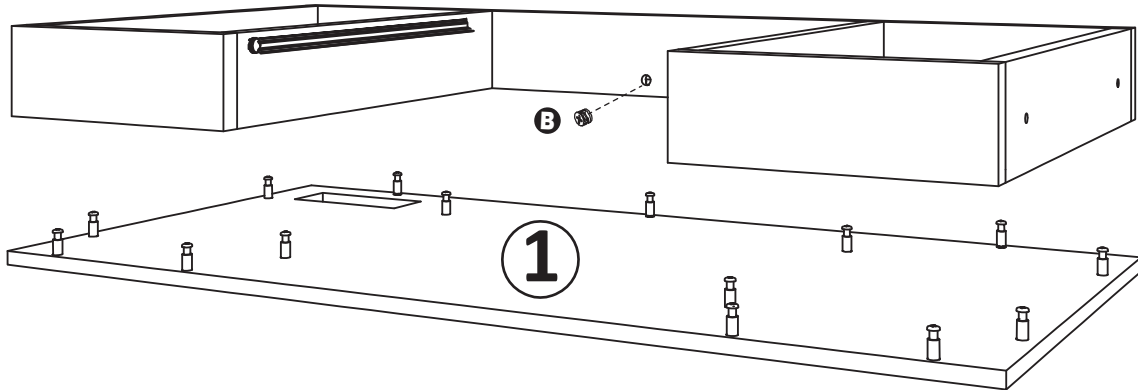
Step 3

1. Attach top panel ① to assembly using camlocks (B) gently tighten camlocks.

B



x 15



Step 4

1. Connect glass panels ⑬ to top component using short screws and washers (L) .
2. Insert locking nuts (J) into back panel ⑨ .
3. Connect back panel ⑨ to unit using long screws and washers (I)
4. Place the unit upright.

L



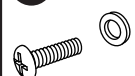
x 4

J

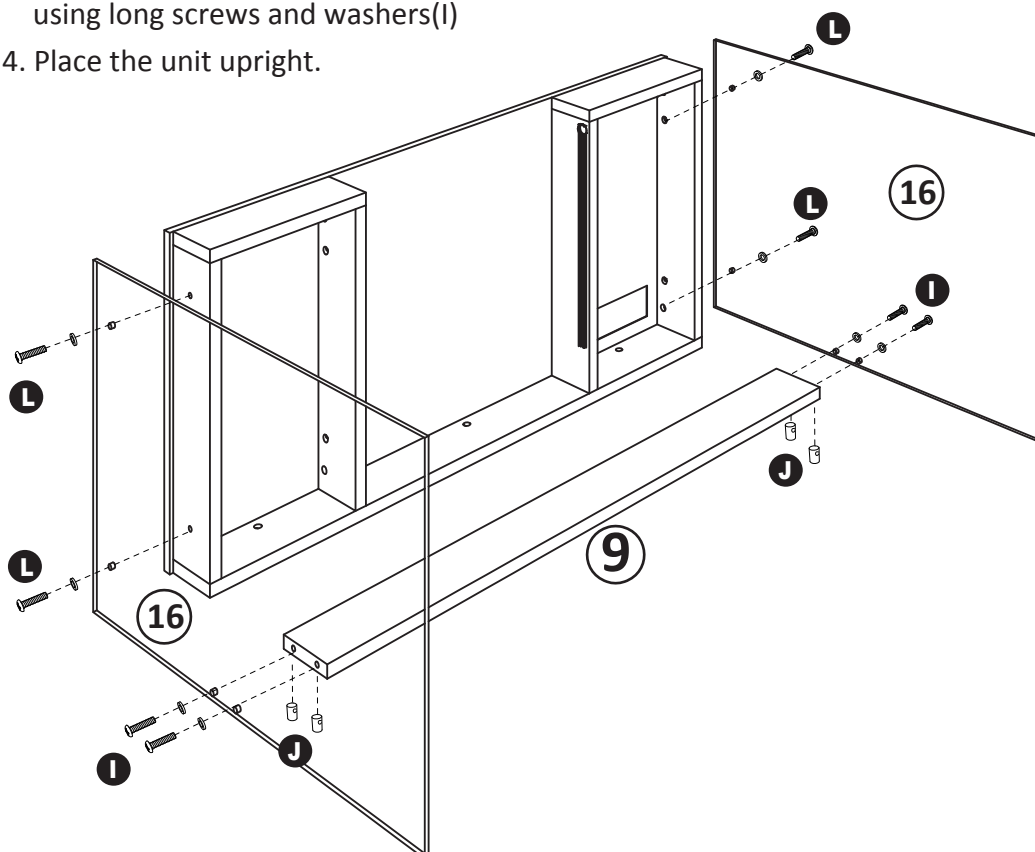


x 4

L

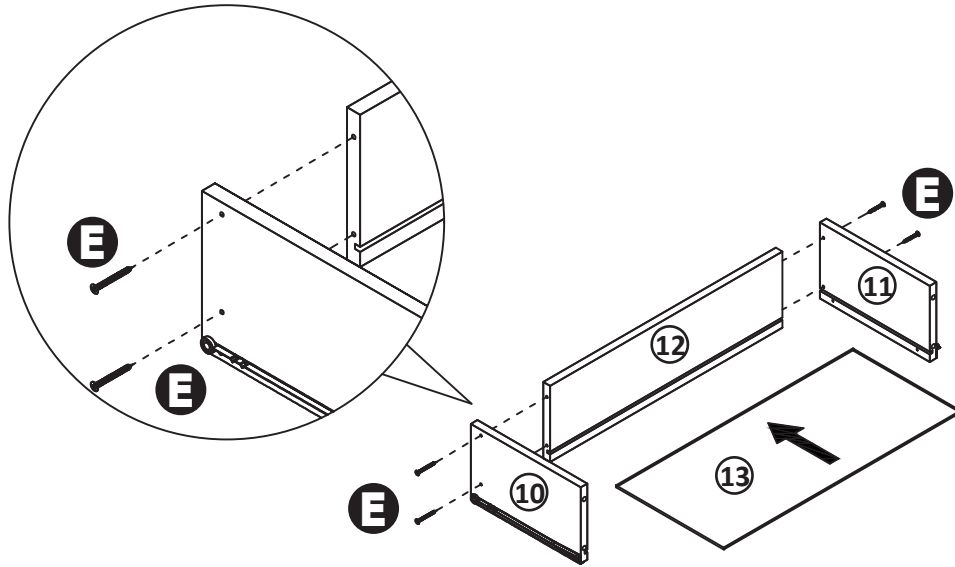
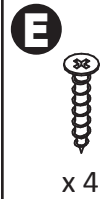


x 4



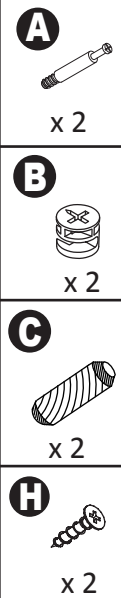
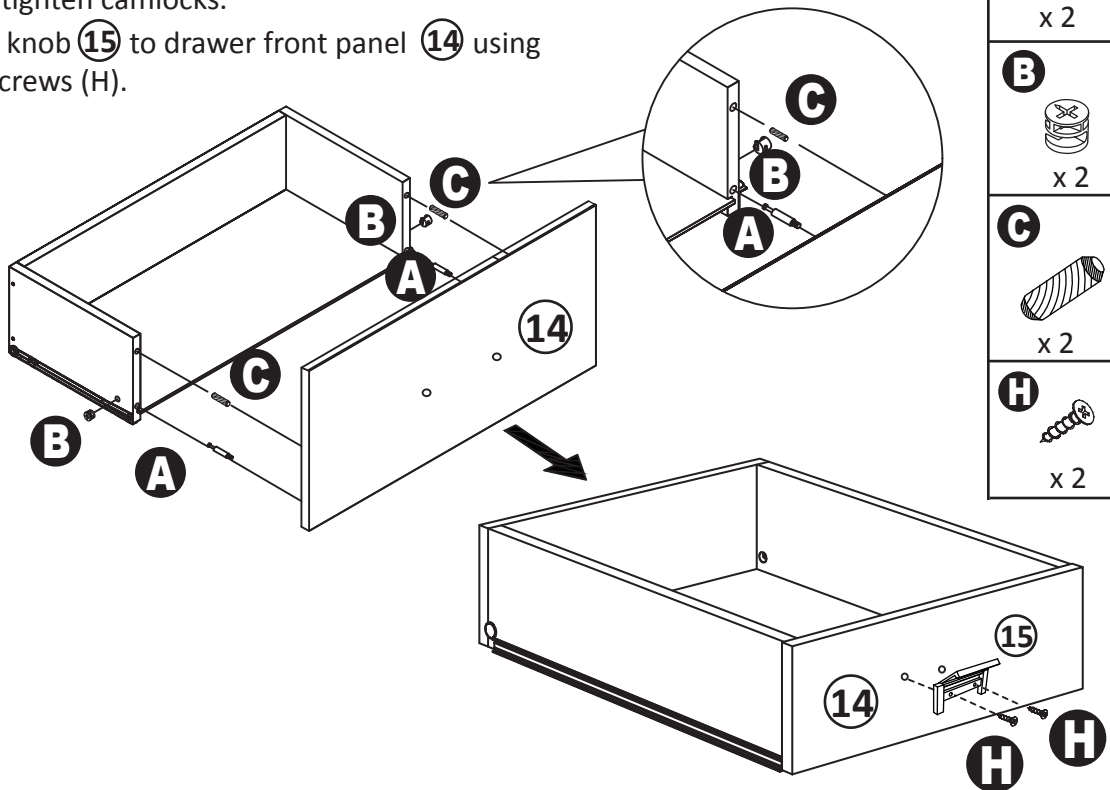
Step 5

1. Attach drawer left panel (10) and drawer right panel (11) to drawer back panel (12) as shown using short screws (E).
2. Push drawer bottom panel (13) through grooves of side panels into panels as shown.



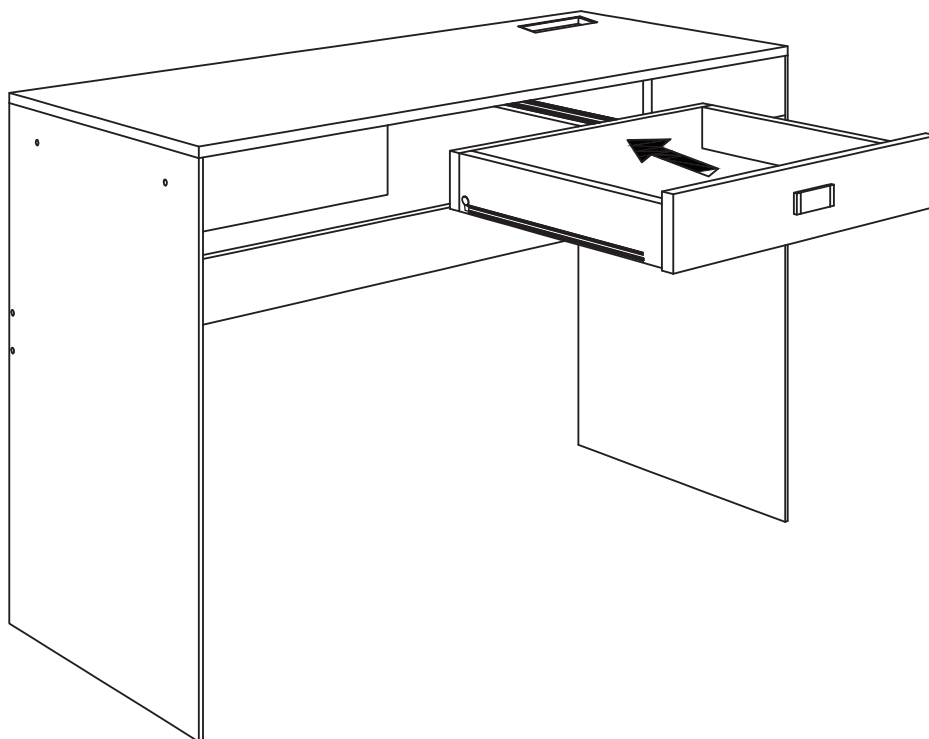
Step 6

1. Attach cambolts (A) and wooden dowels (C) into drawer front panel (14) as shown.
2. Attach drawer front panel (14) to assembly as shown using camlocks (B), gently tighten camlocks.
3. Attach knob (15) to drawer front panel (14) using knob screws (H).



Step 7

1. Carefully place drawer into unit as shown.



Step 8

1. Attach socket strip (F) to top panel ① using screws (D).

*Do not plug into outlet at this point.

