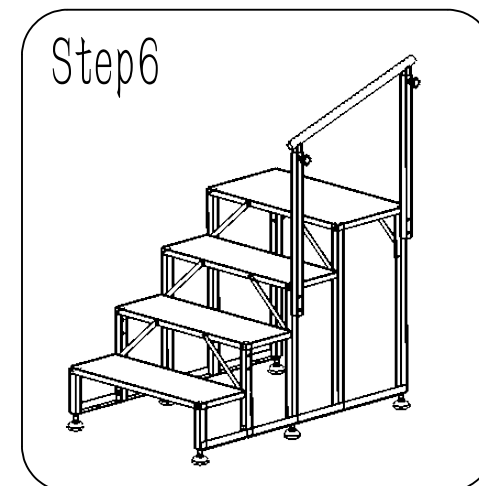
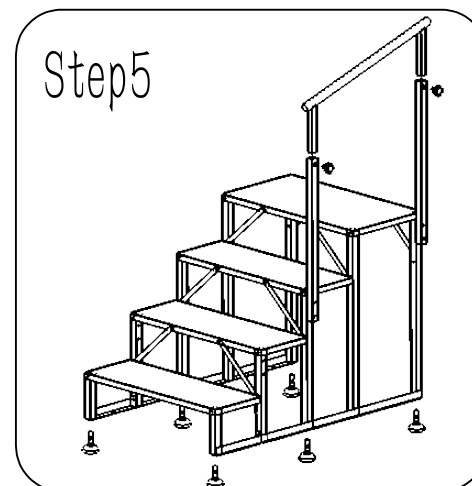
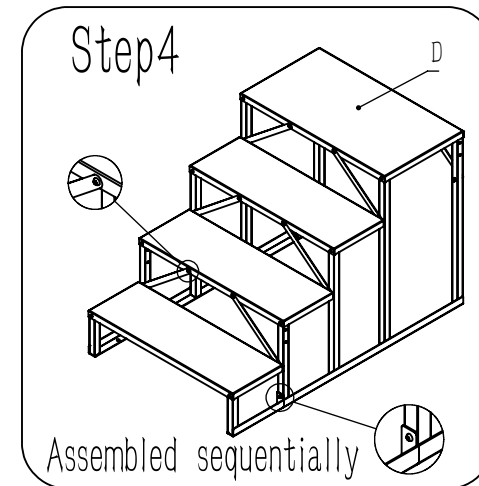
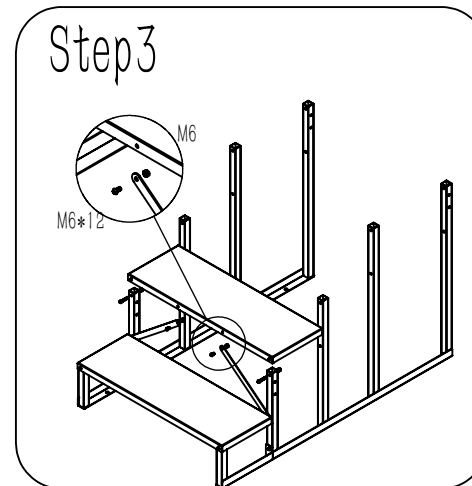
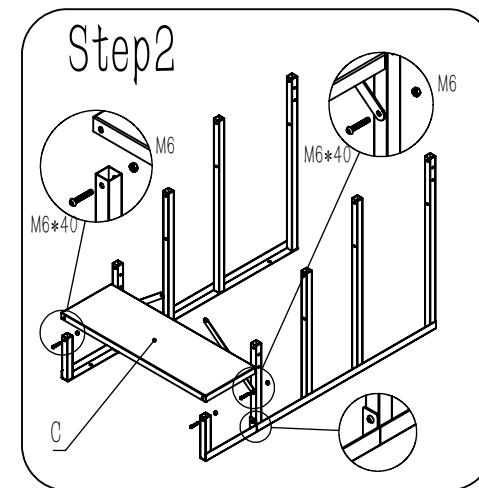
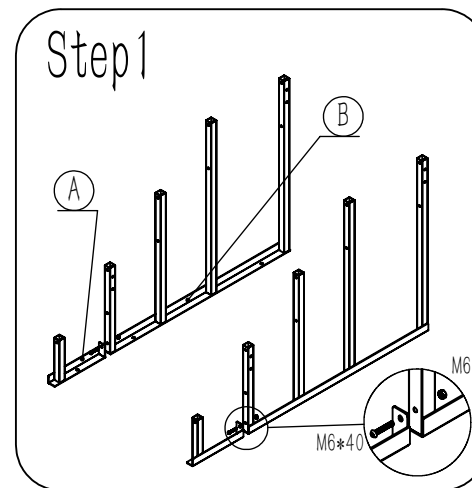
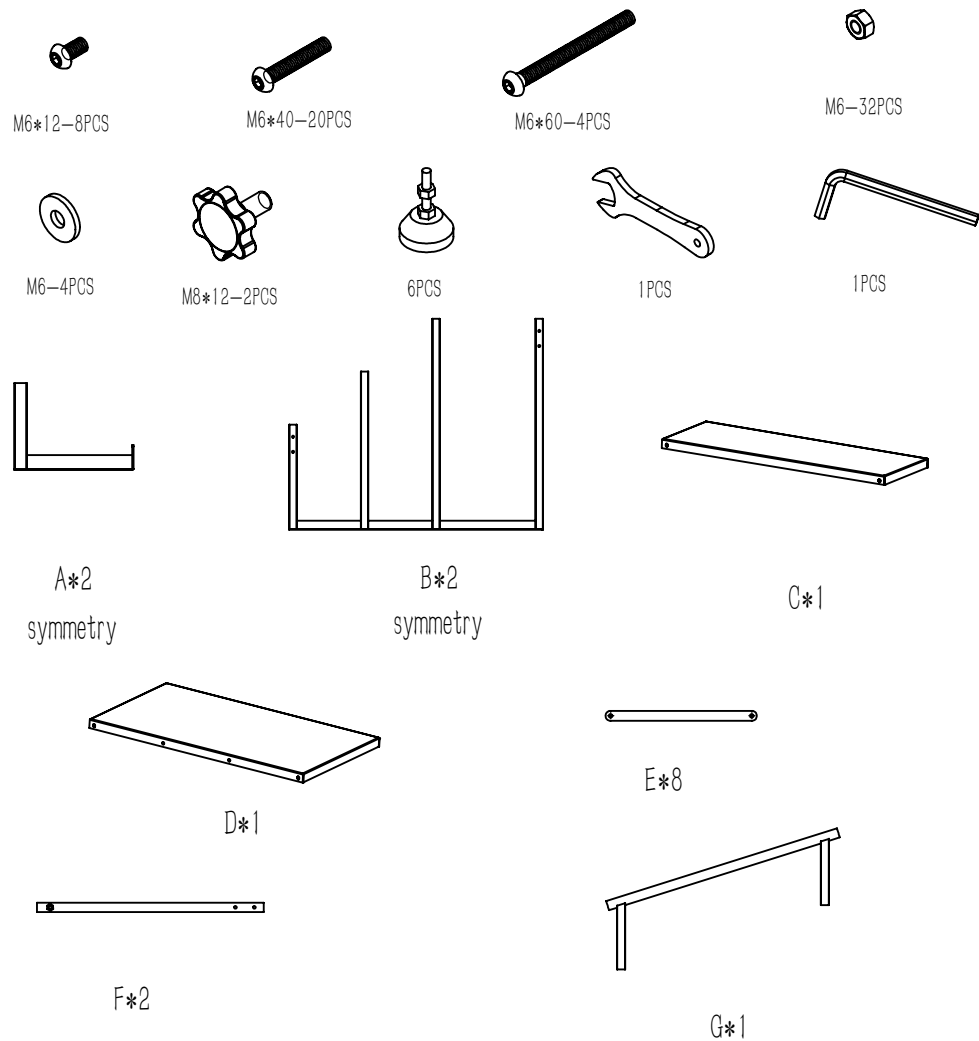
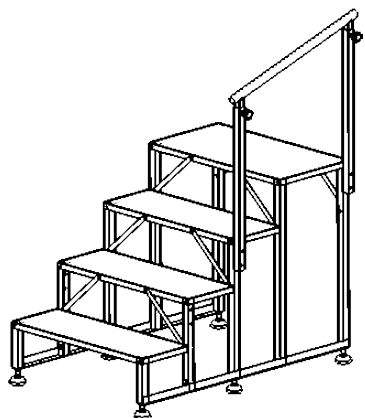


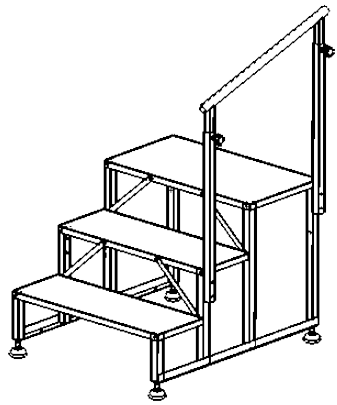
Product assembly instructions

1. Check if the accessories are complete before assembly
2. Refer to the assembly steps to complete this
3. Ensure that the product screws are securely locked before use



Product assembly instructions

1. Check if the accessories are complete before assembly
2. Refer to the assembly steps to complete this
3. Ensure that the product screws are securely locked before use



M6*12-6PCS



M6*40-14PCS



M6*60-4PCS



M6-24PCS



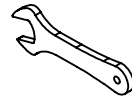
M6-4PCS



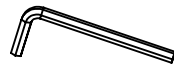
M8*12-2PCS



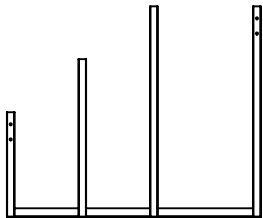
4PCS



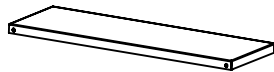
1PCS



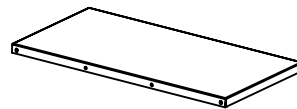
1PCS



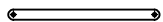
A*2
symmetry



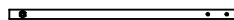
B*1



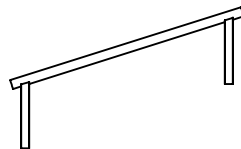
C*1



D*6

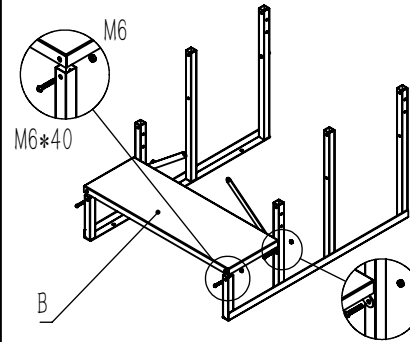


E*2

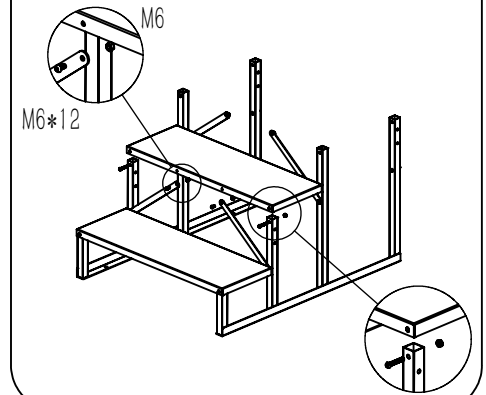


F*1

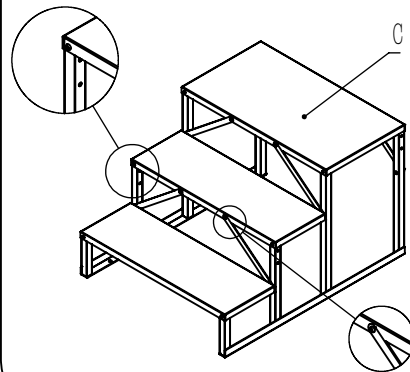
Step1



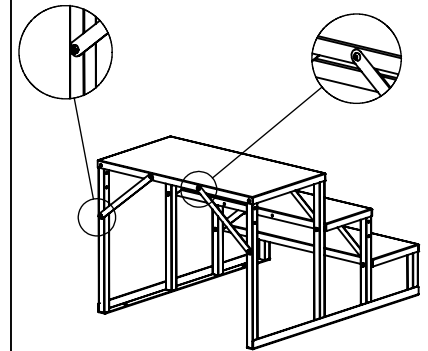
Step2



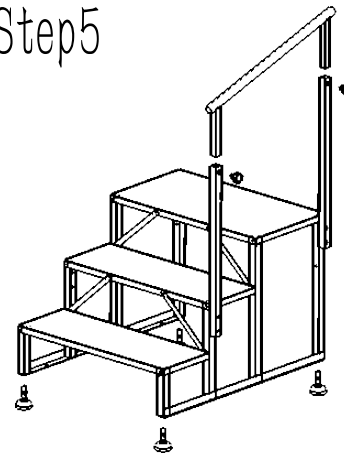
Step3



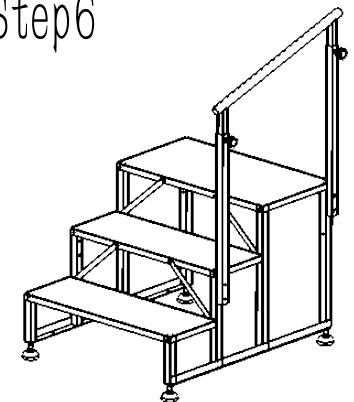
Step4



Step5

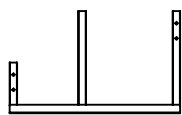
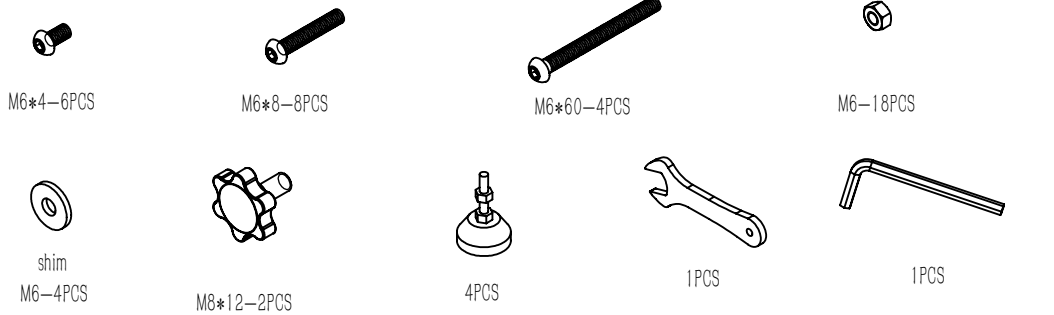
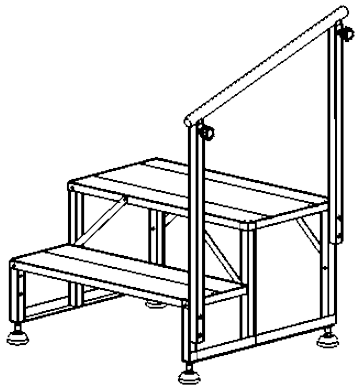


Step6

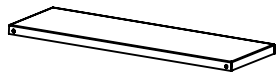


Product assembly instructions

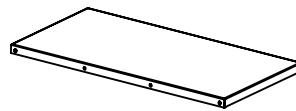
1. Check if the accessories are complete before assembly
2. Refer to the assembly steps to complete this
3. Ensure that the product screws are securely locked before use



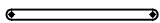
A*2
symmetry



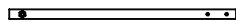
B*1



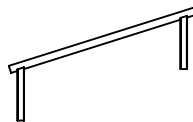
C*1



D*6

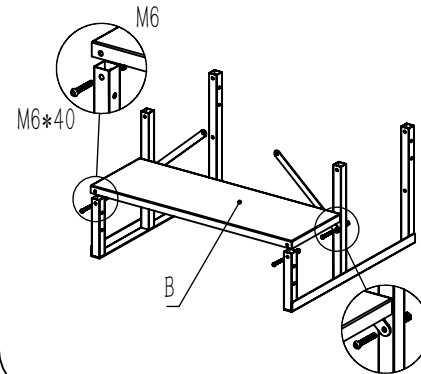


E*2

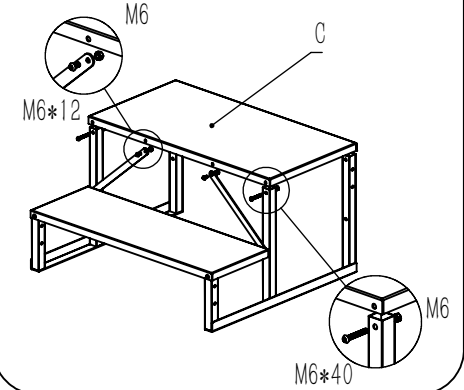


F*1

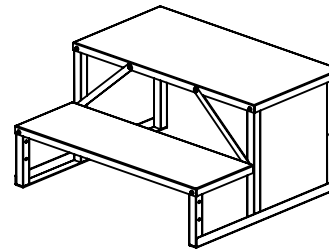
Step1



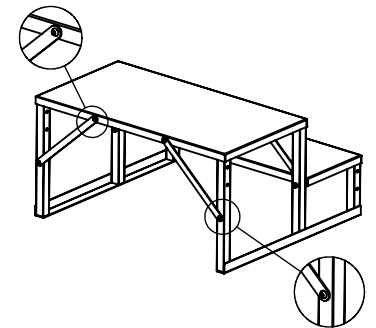
Step2



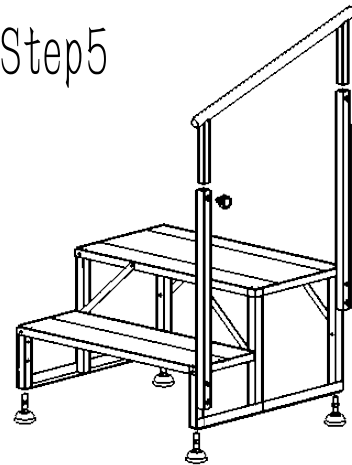
Step3



Step4



Step5



Step6

