

Assembly Instructions

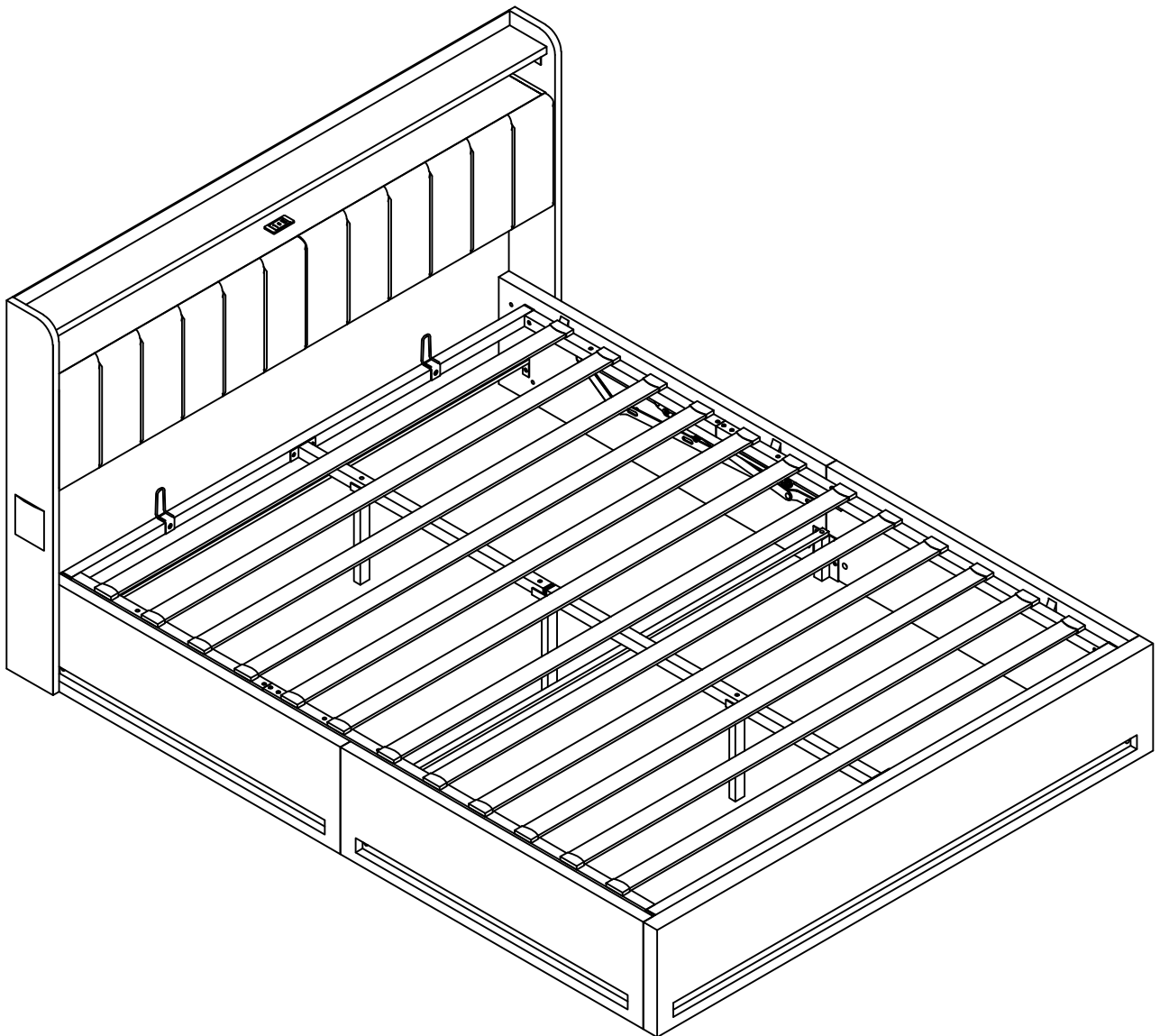
Please check that you have all the parts listed before you start assembling, if you do find that something is missing, do not continue assembly, please contact us immediately.

NOTE: Please do not completely tighten all the hardware until the entire assembly is complete!

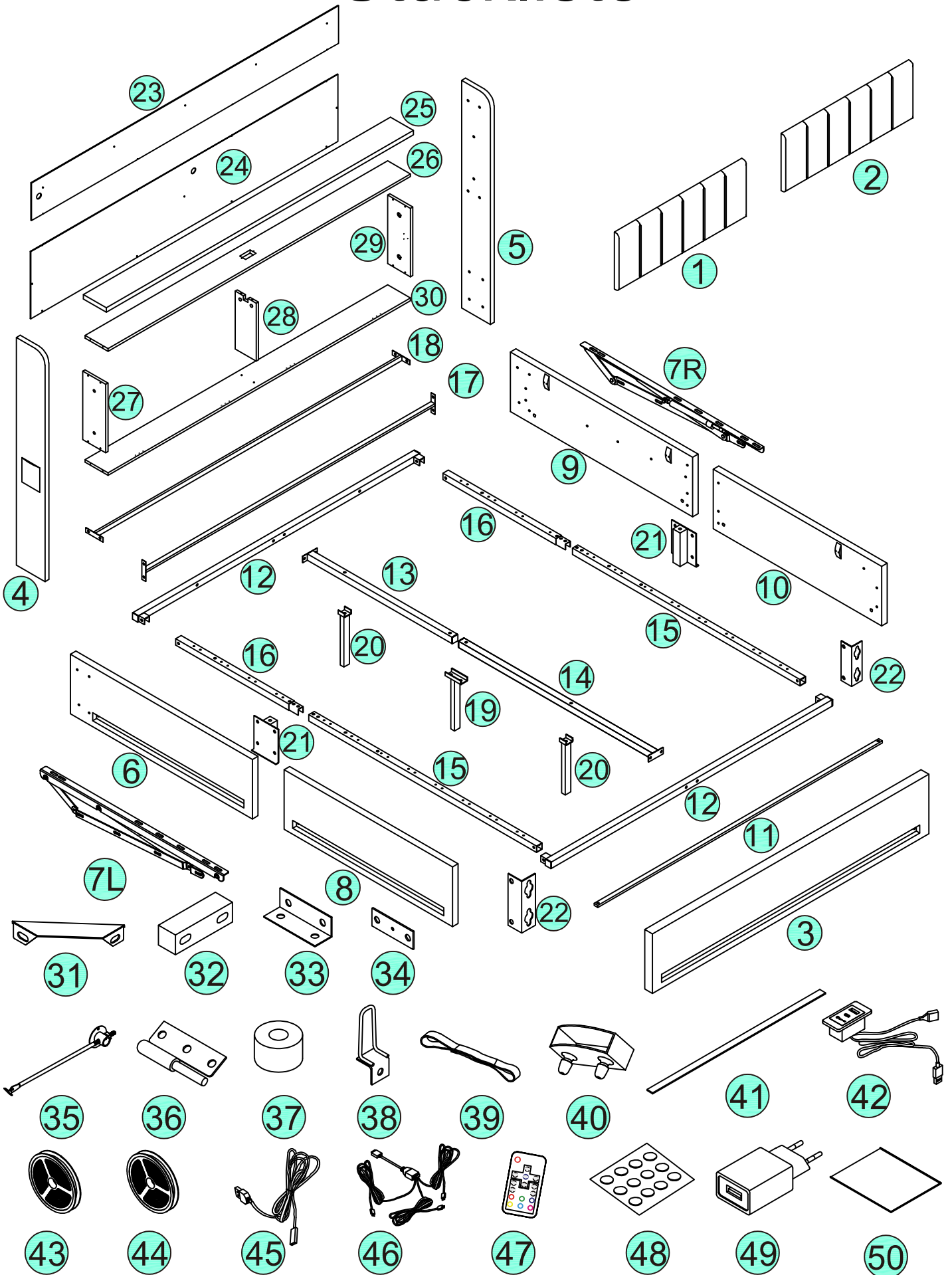
Bauanleitung

Bitte überprüfen Sie, ob alle Teile mitgeliefert sind, bevor Sie mit der Montage beginnen. Wenn Sie festlegen, dass etwas fehlt, setzen Sie die Montage nicht fort, Bitte kontaktieren Sie uns sofort.

Achtung: Bitte ziehen Sie nicht alle Schrauben fest, bevor die Montage abgeschlossen ist!

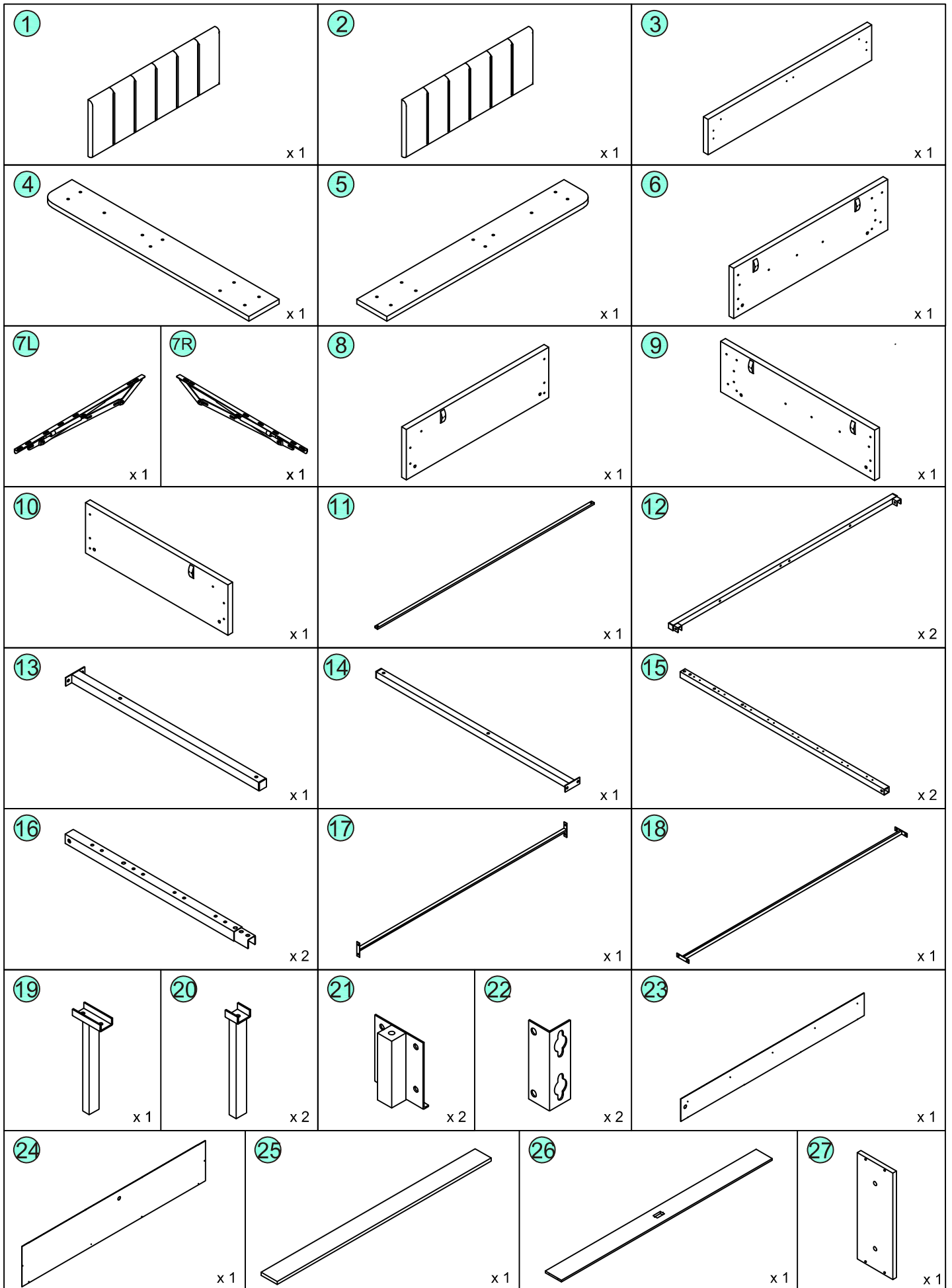


Stückliste



short

long

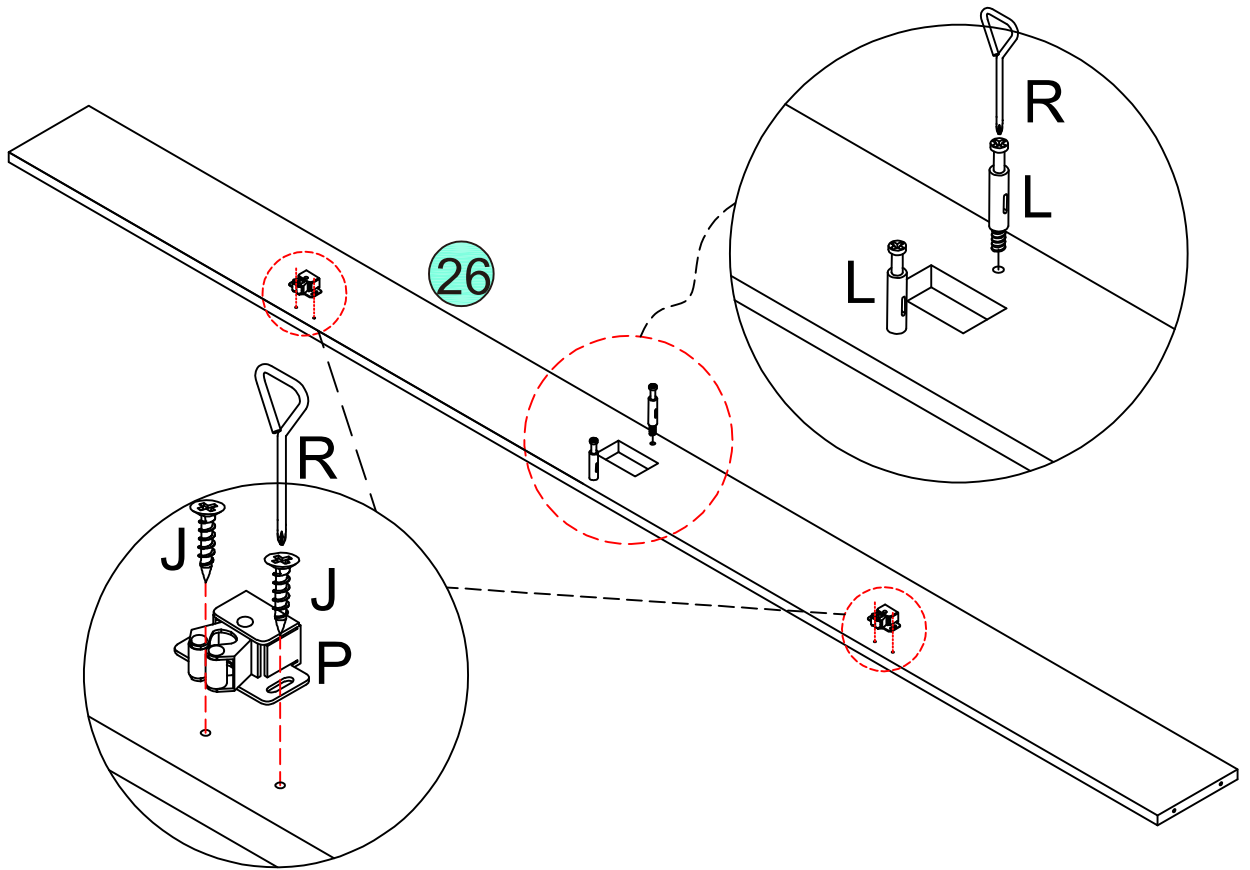


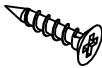


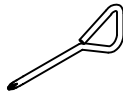
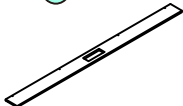
28 x 1	29 x 1	30 x 1	31 x 2	32 x 1	
33 x 2	34 x 2	35 x 2	36 x 4	37 x 8	38 x 2
39 x 2	40 x 24	41 x 12	42 x 1	43 short x 1	44 long x 1
45 x 1	46 x 1	47 x 1	48 x 6	49 x 1	50 x 1

Hardware List- Hardware-Liste

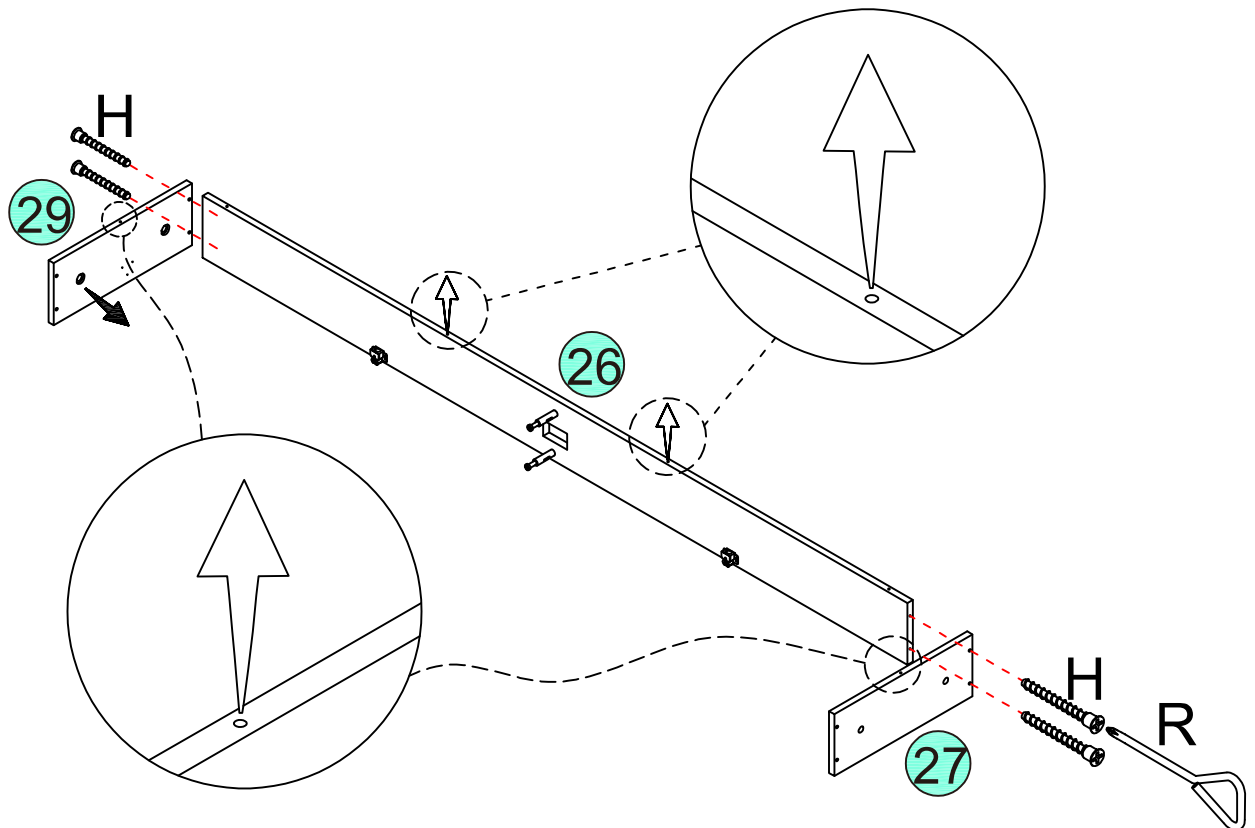
Ax30+3PCS 5/16X45mm	Bx8 PCS 5/16X30mm	Cx10+1 PCS 5/16X25mm	Dx42+3 PCS 5/16X15mm	Ex16+1 PCS Ø19X5/16
Fx4 PCS Ø16X1/4	Gx16+1 PCS 5/16	Hx10+1 PCS M5X38mm	Jx30+3 PCS M4*12mm	Kx16+1 PCS M4*25mm
Lx2 PCS 	Mx2 PCS 	Nx2 PCS 	Px2 PCS 	Qx1 PC 5/16
Rx1 PC 	Sx1 PC 	Tx2 PCS M3*12mm		


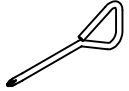

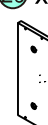
STEP 1



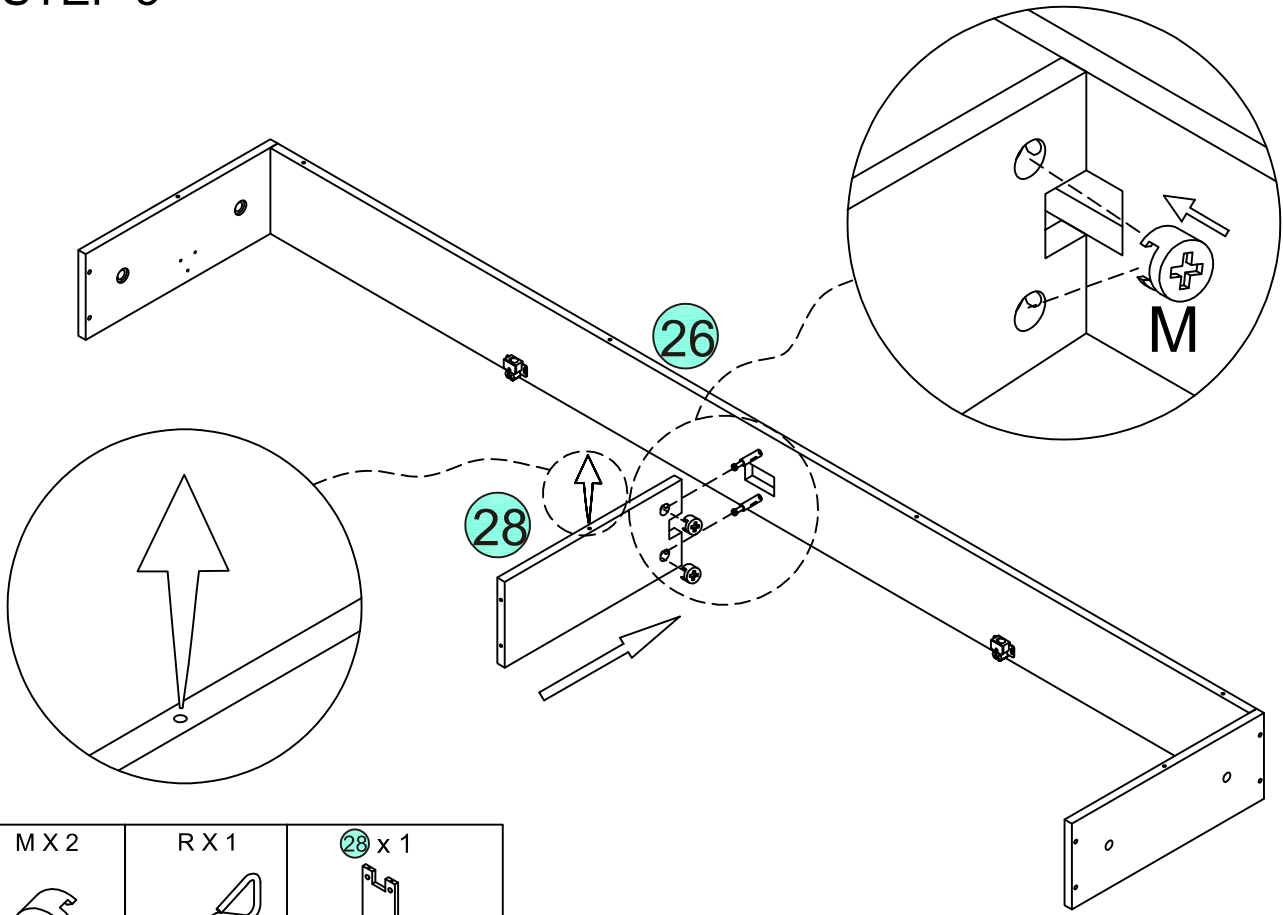
J X 4	L X 2	P X 2	R X 1	26 x 1
				
M4*12mm				

STEP 2



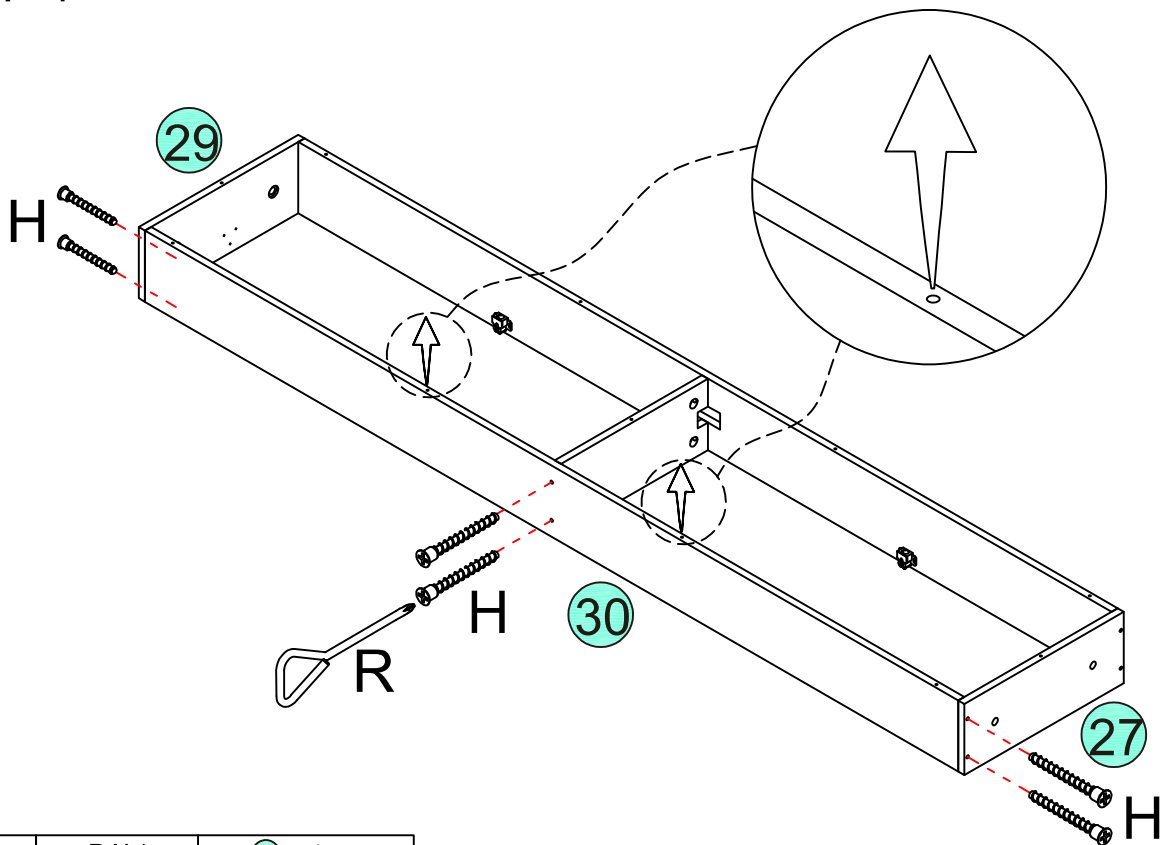
H X 4	R X 1	27 x 1	29 x 1
			
M5X38mm			

STEP 3



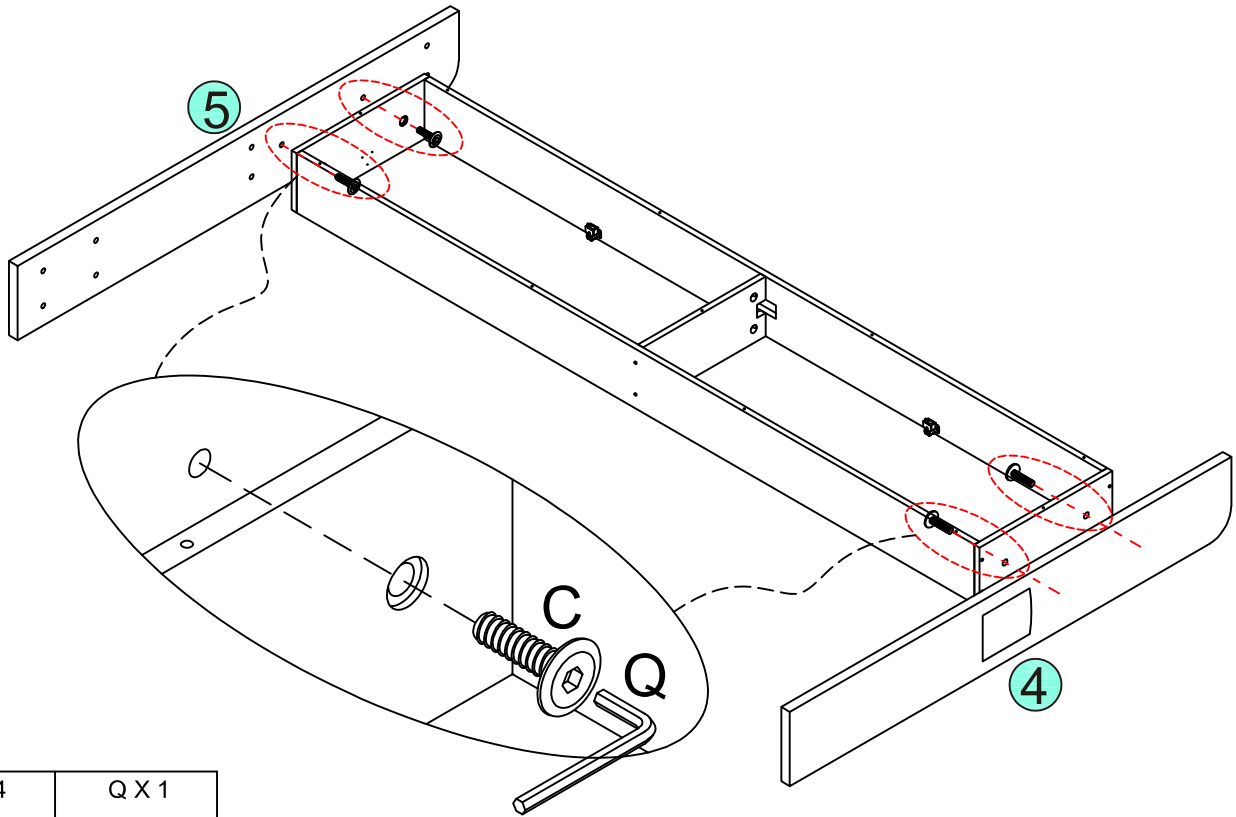
MX2	RX1	28 x 1



STEP 4



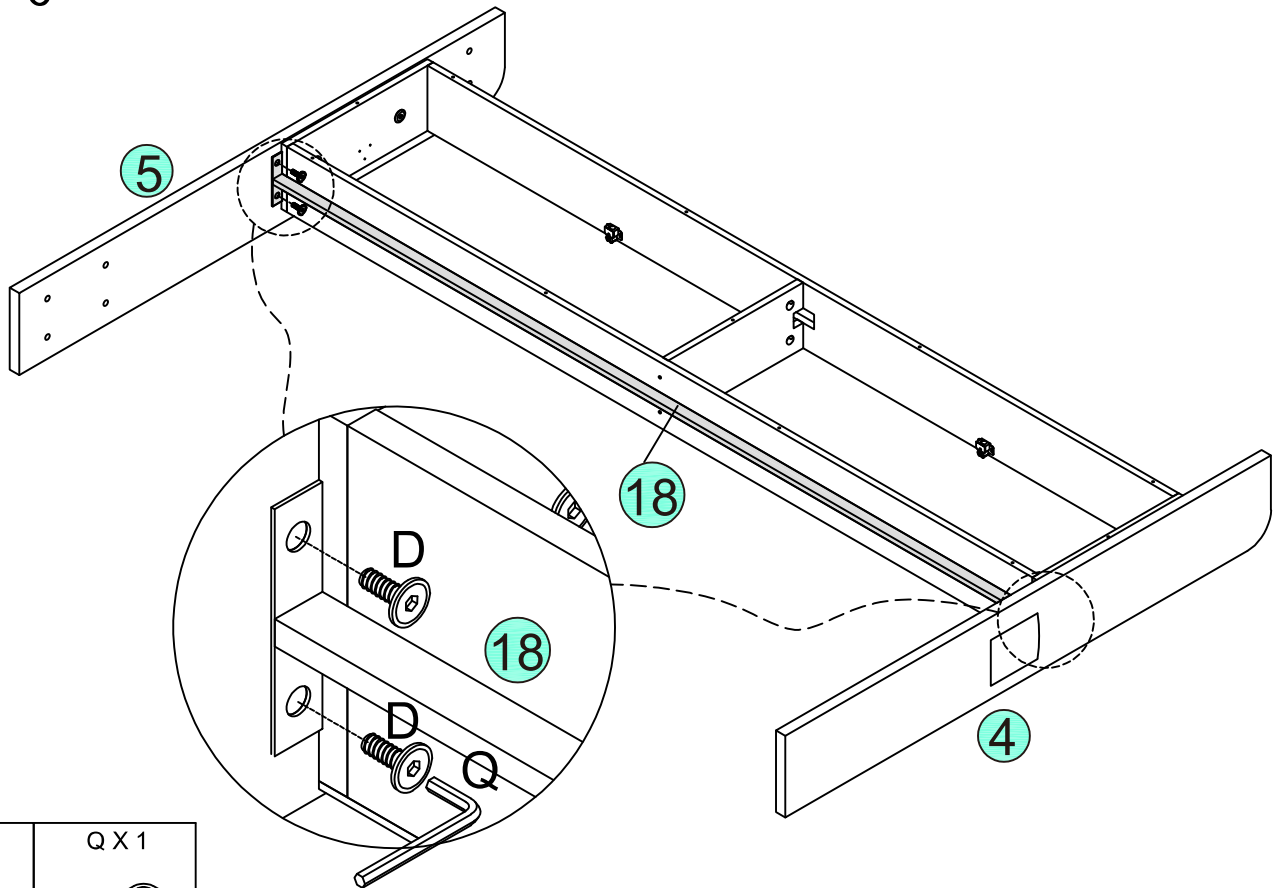
HX6	RX1	30 x 1
M5X38mm		



STEP 5



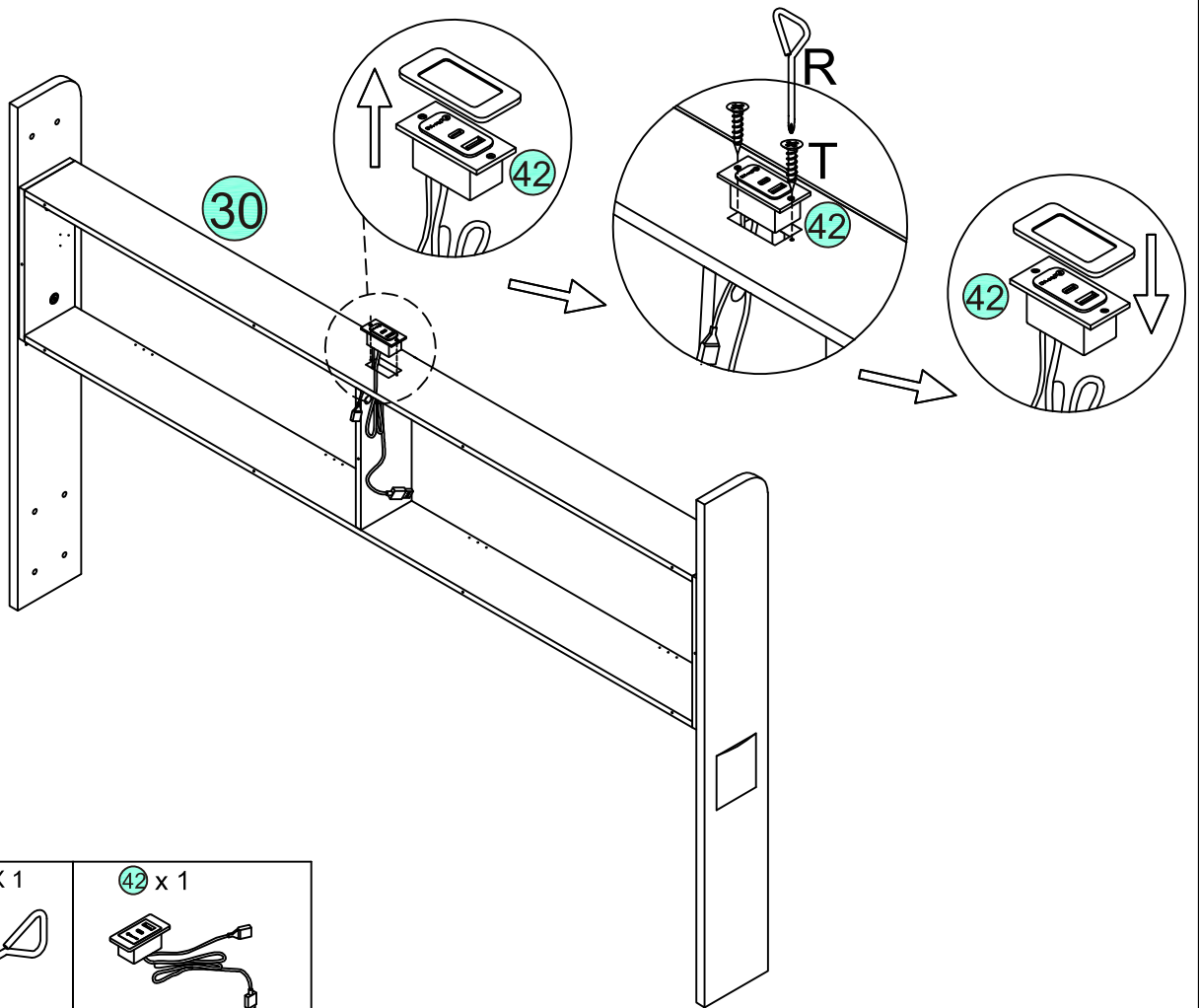
C X 4	Q X 1
	
5/16X25mm	5/16

STEP 6

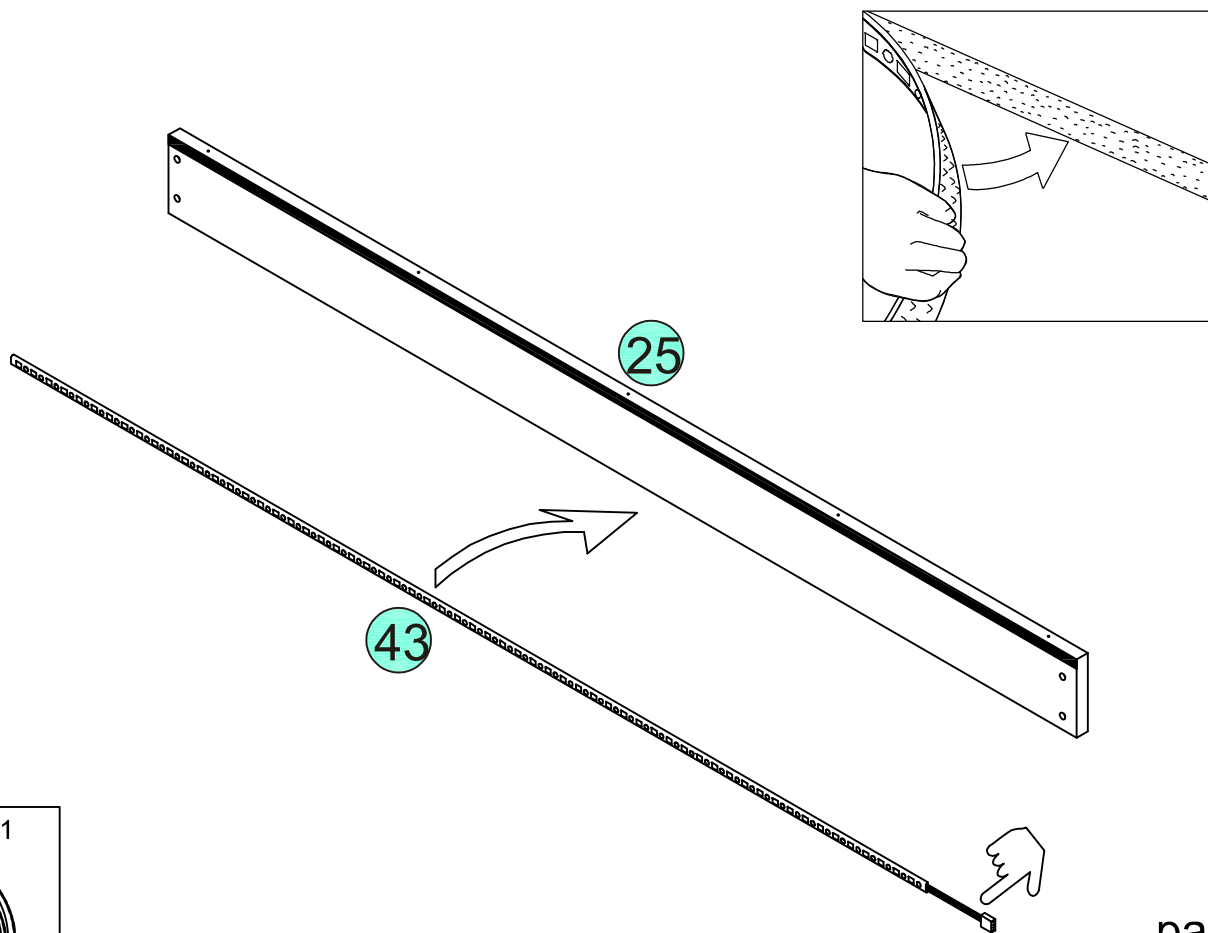


D x 4	Q X 1
	
5/16X15mm	5/16

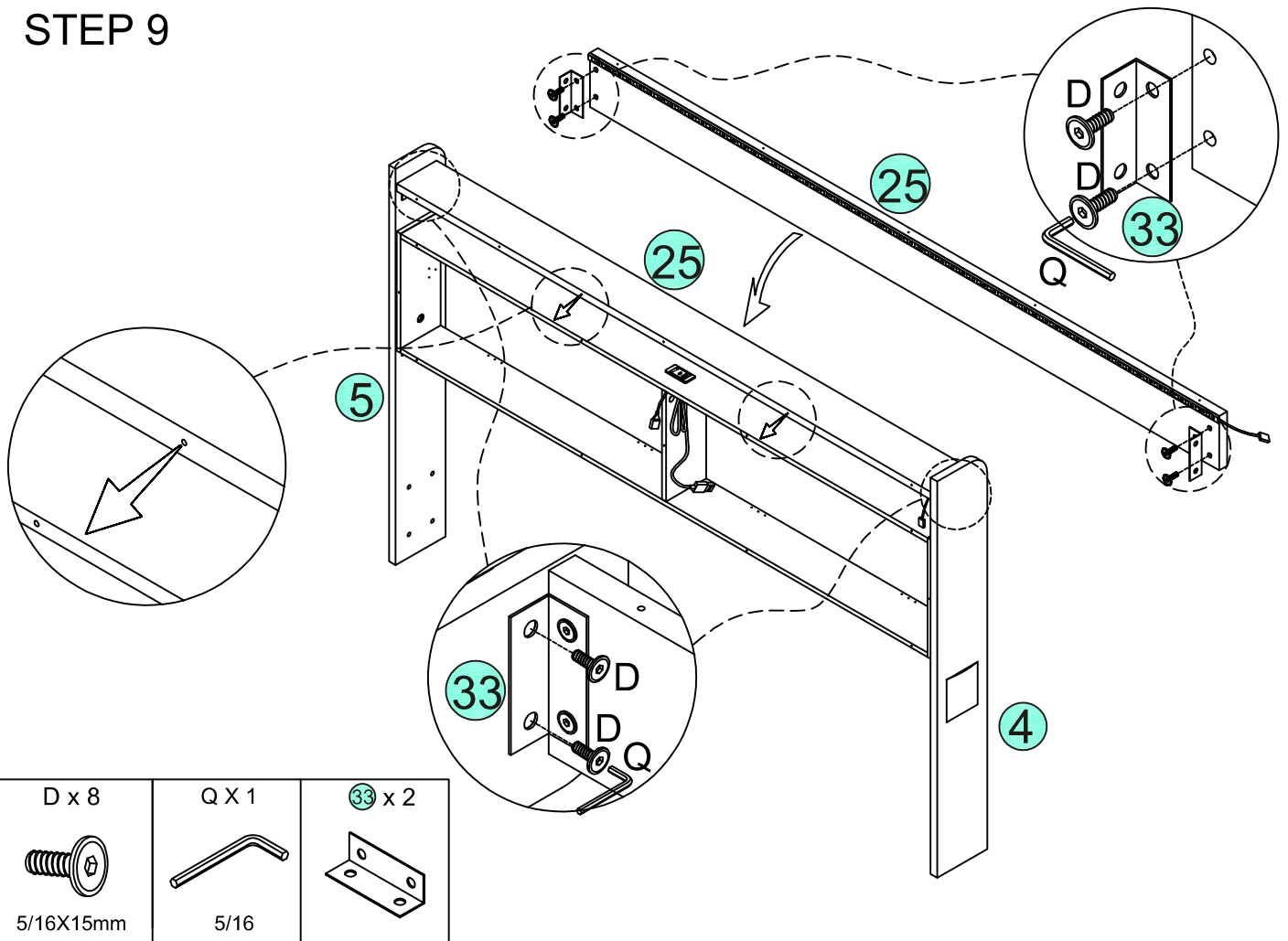
STEP 7



STEP 8

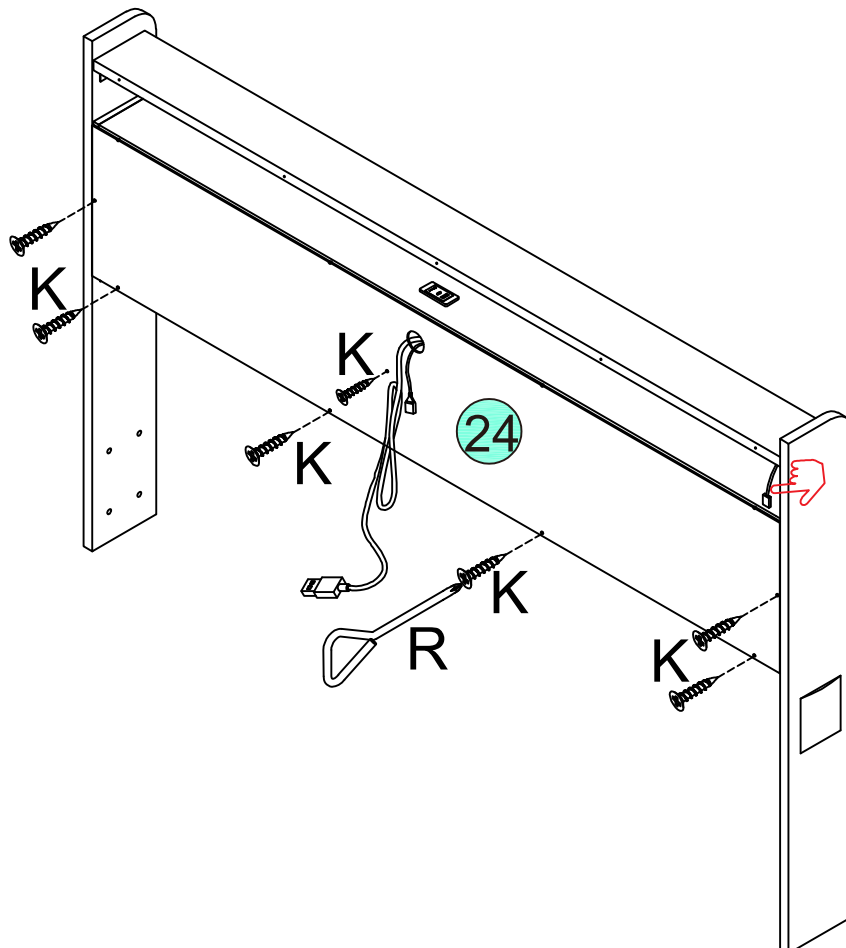


STEP 9



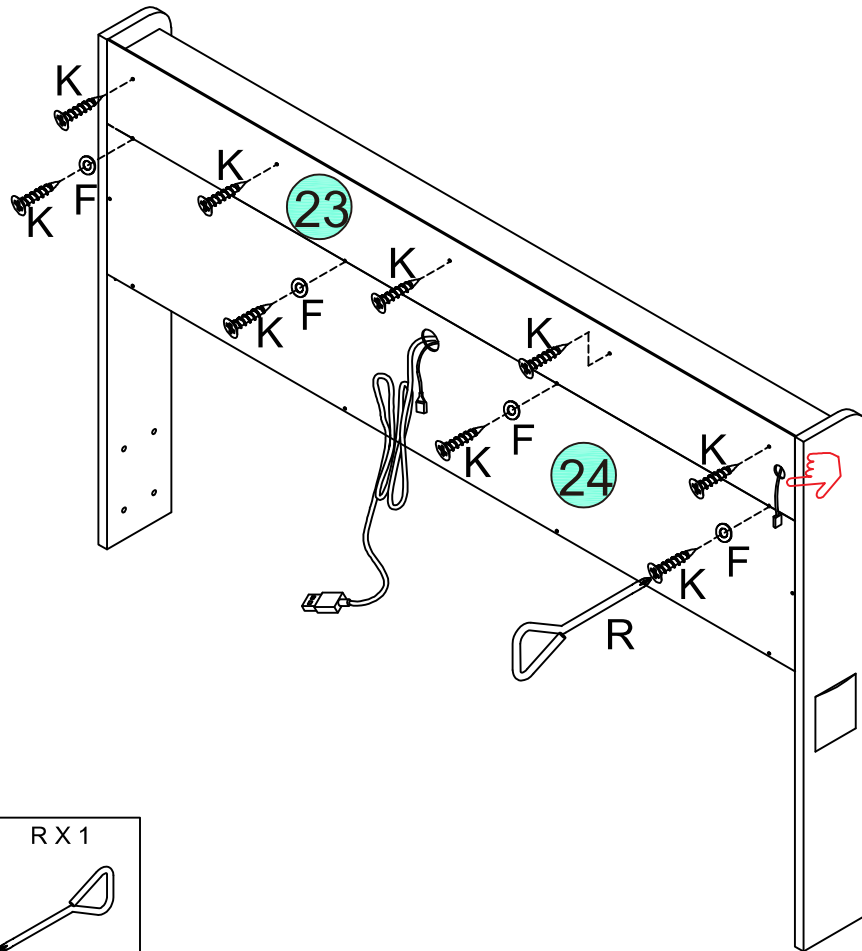
D x 8 5/16X15mm	Q X 1 5/16	33 x 2

STEP 10



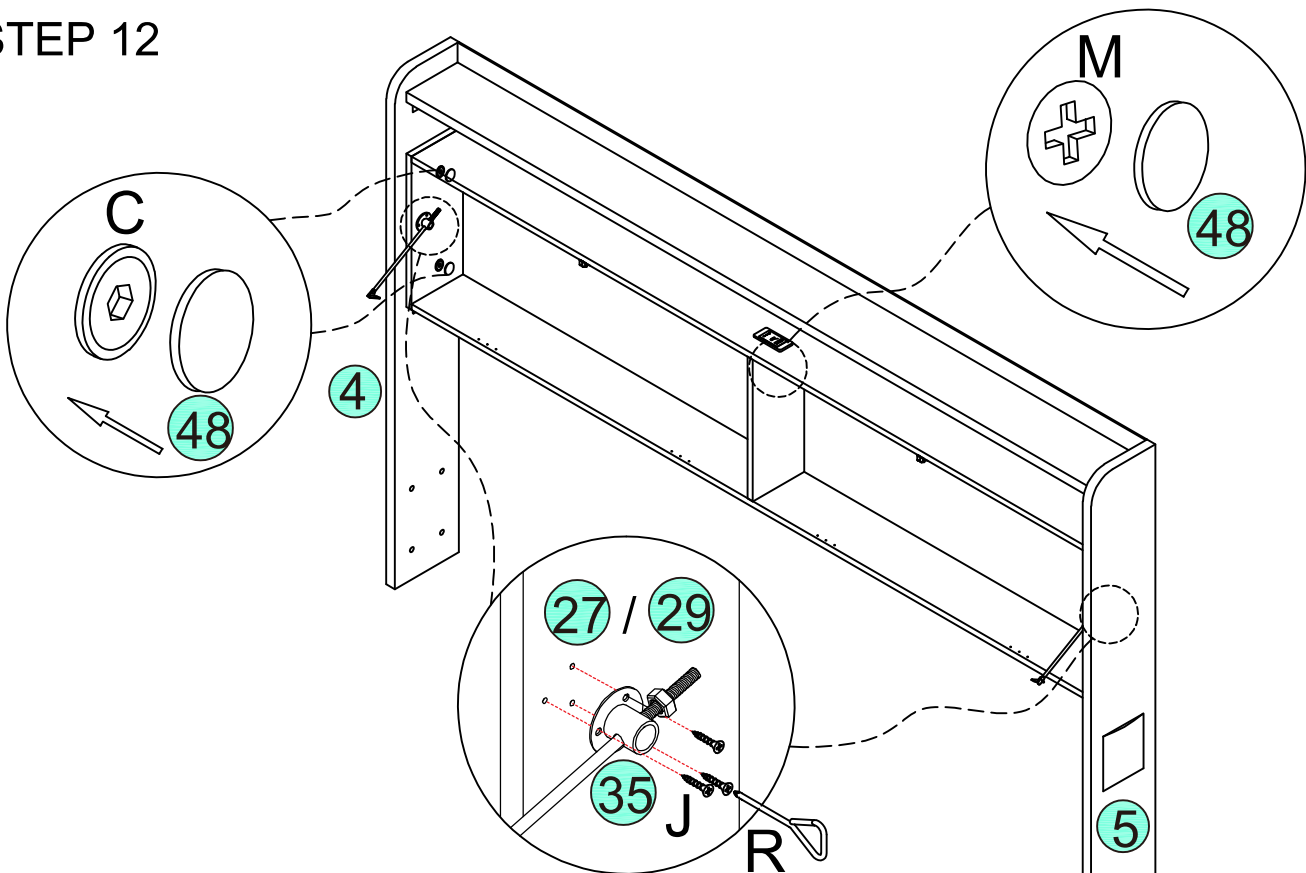
K X 7 M4*25mm	R X 1

STEP 11



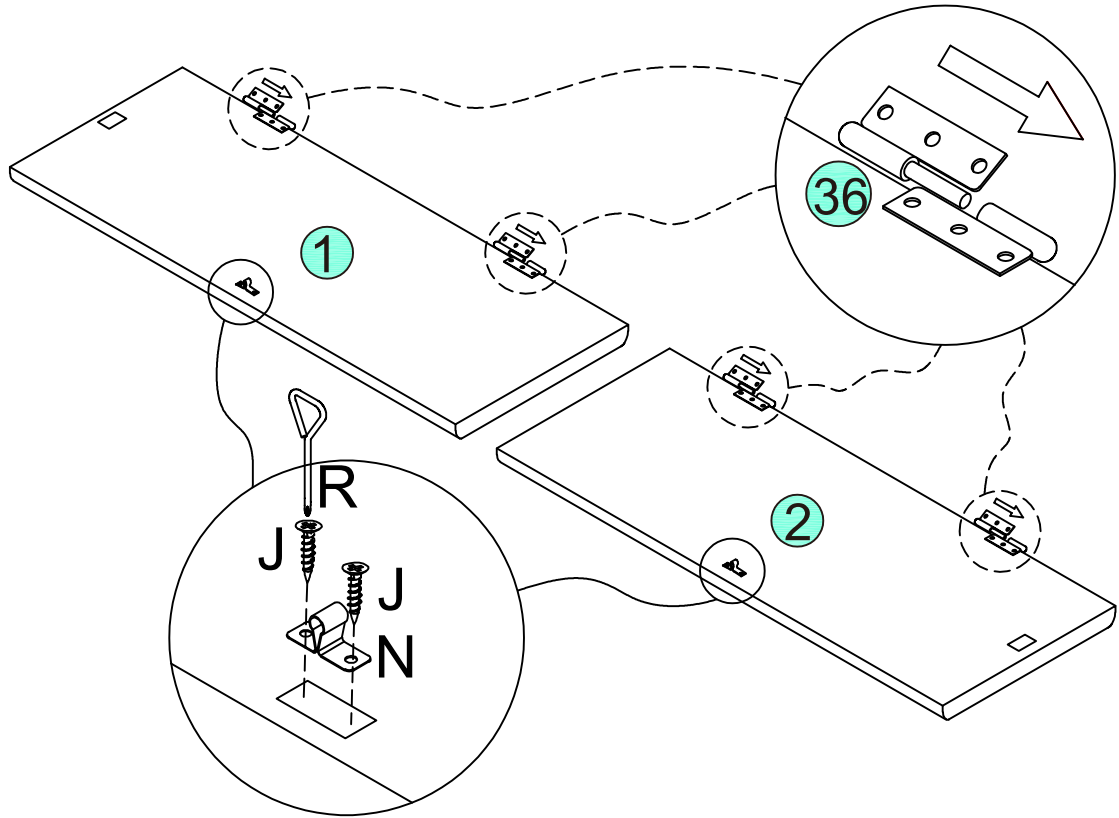
K X 9	F X 4	R X 1
M4*25mm	Ø16X1/4	



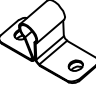
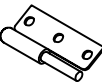
STEP 12



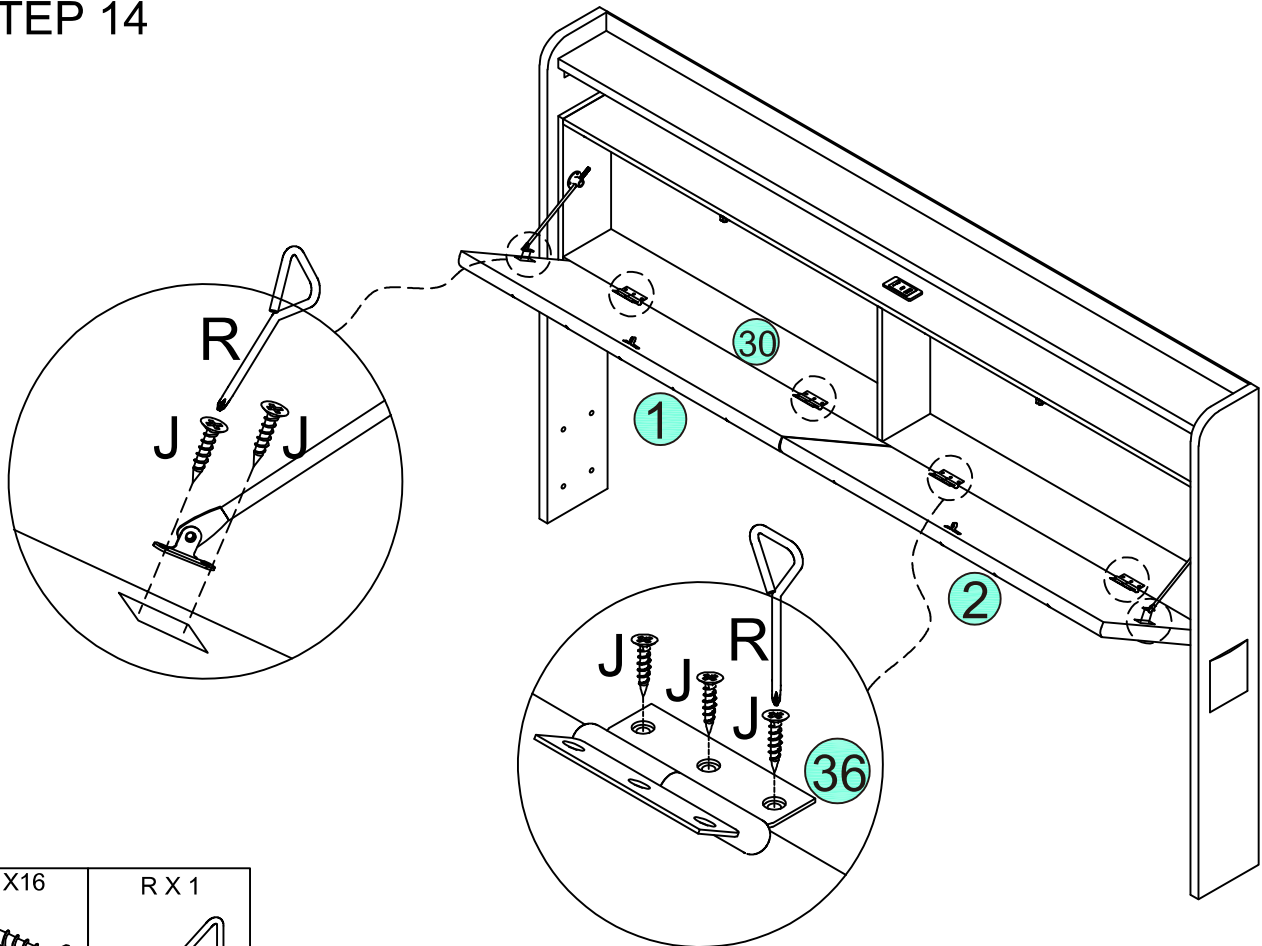
J X 6	R X 1	35 x 2	48 x 6
M4*12mm			


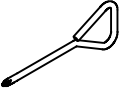
STEP 13



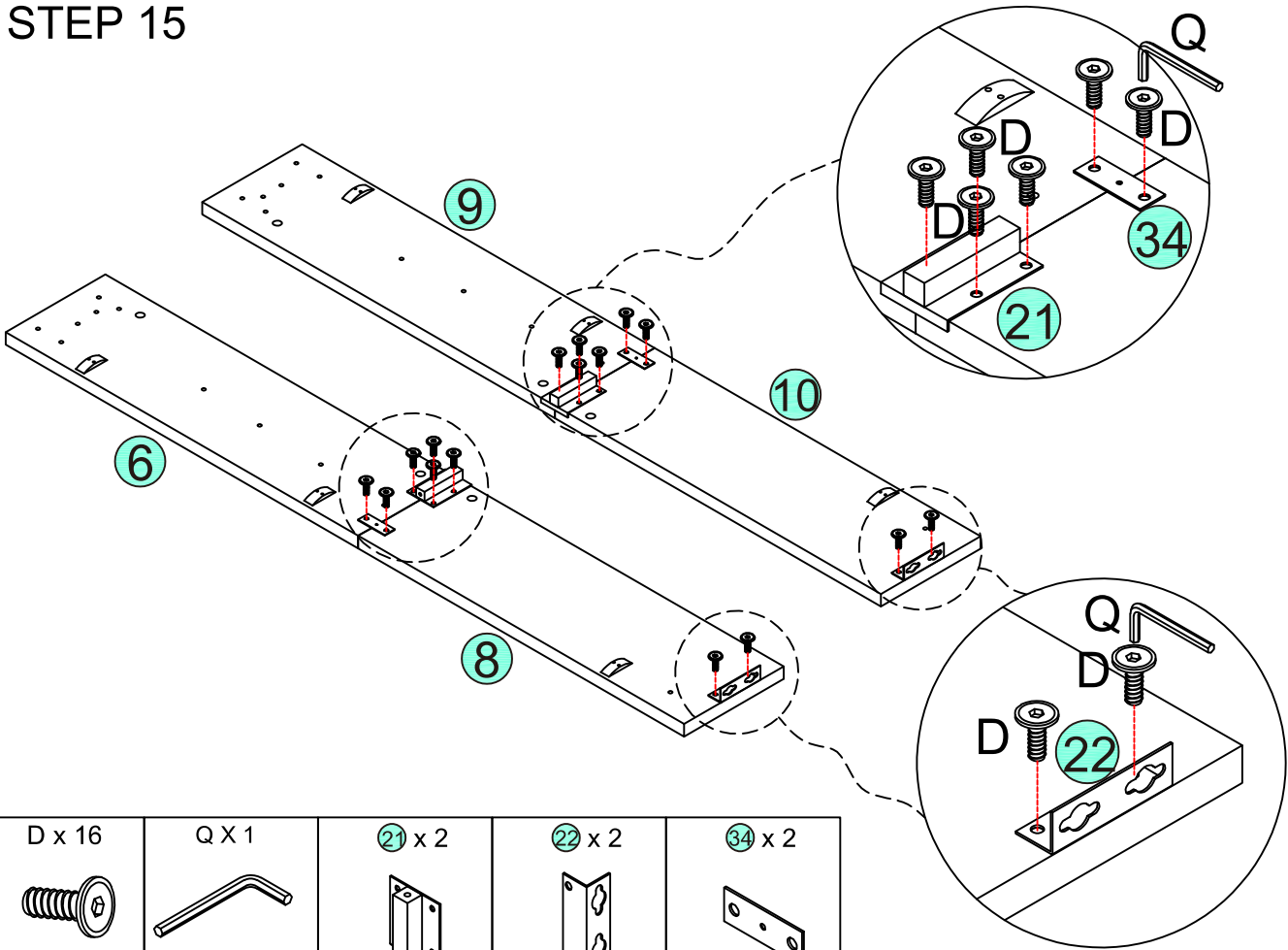
J X4  M4*12mm	R X1 	N X2 	36 x 4 
---	---	---	---

STEP 14



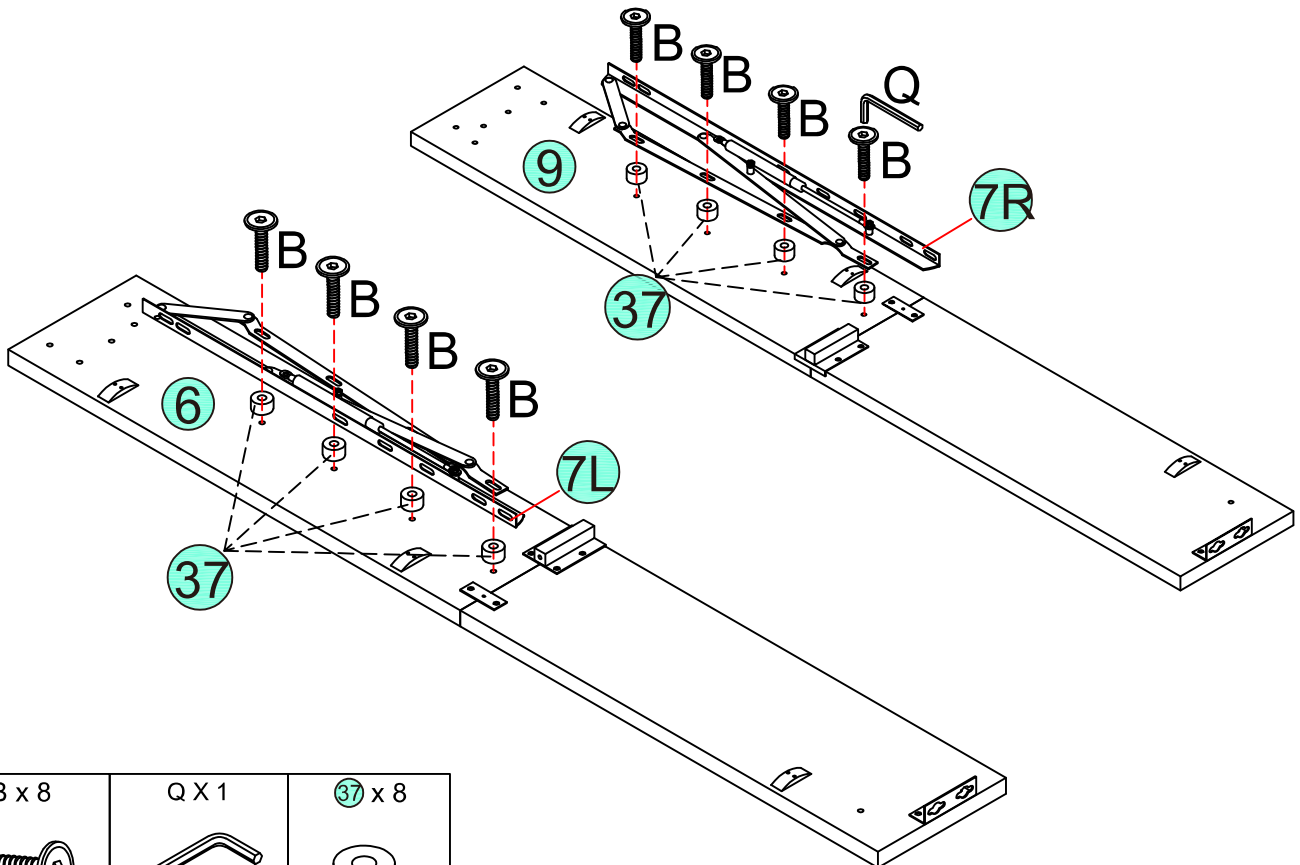
J X16  M4*12mm	R X1 
--	---

STEP 15



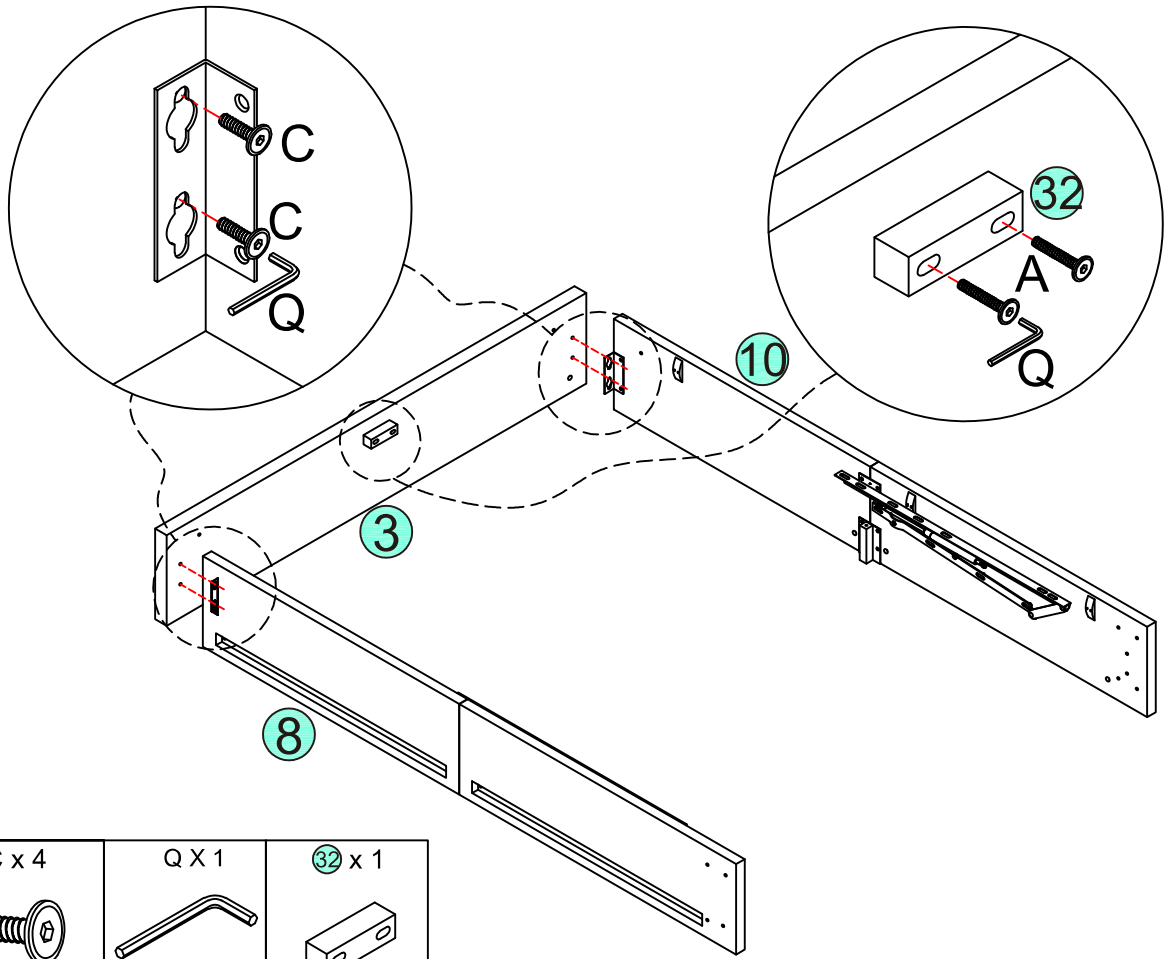
D x 16 5/16X15mm	Q X 1 5/16	21 x 2	22 x 2	34 x 2




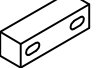
STEP 16



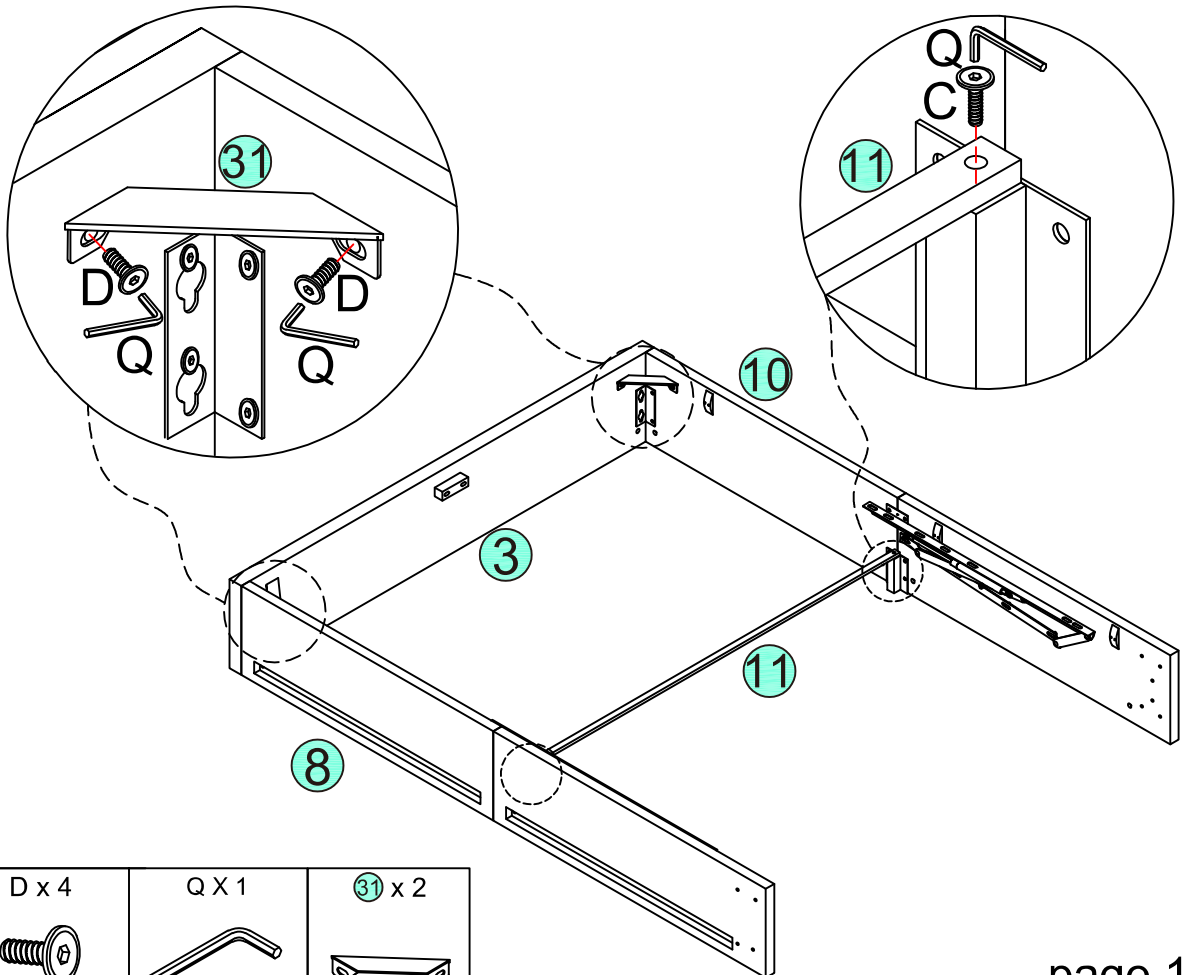
B x 8 5/16X30mm	Q X 1 5/16	37 x 8




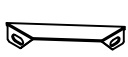
STEP 17



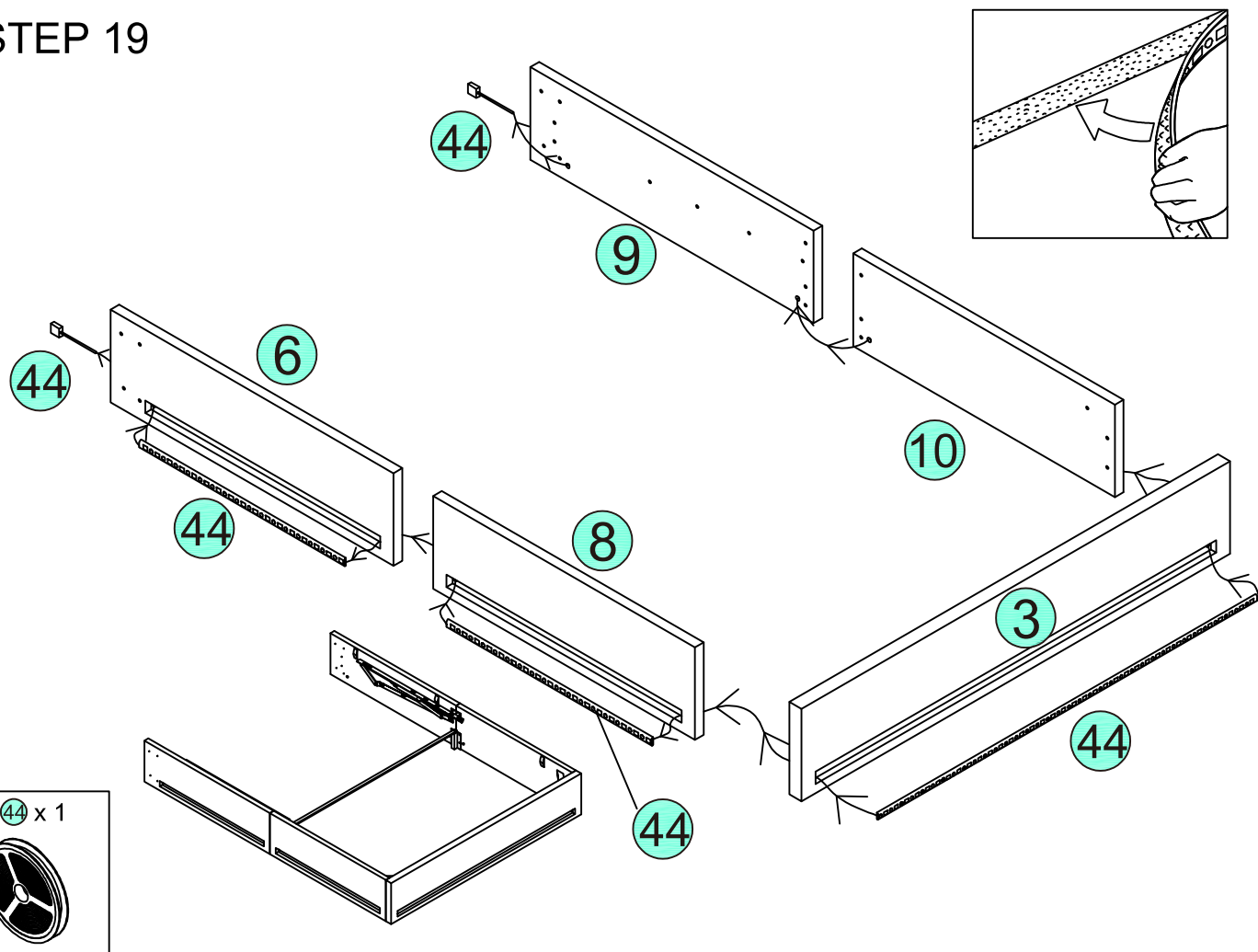
A x 2	C x 4	Q X 1	32 x 1
			
5/16X45mm	5/16X25mm	5/16	

STEP 18

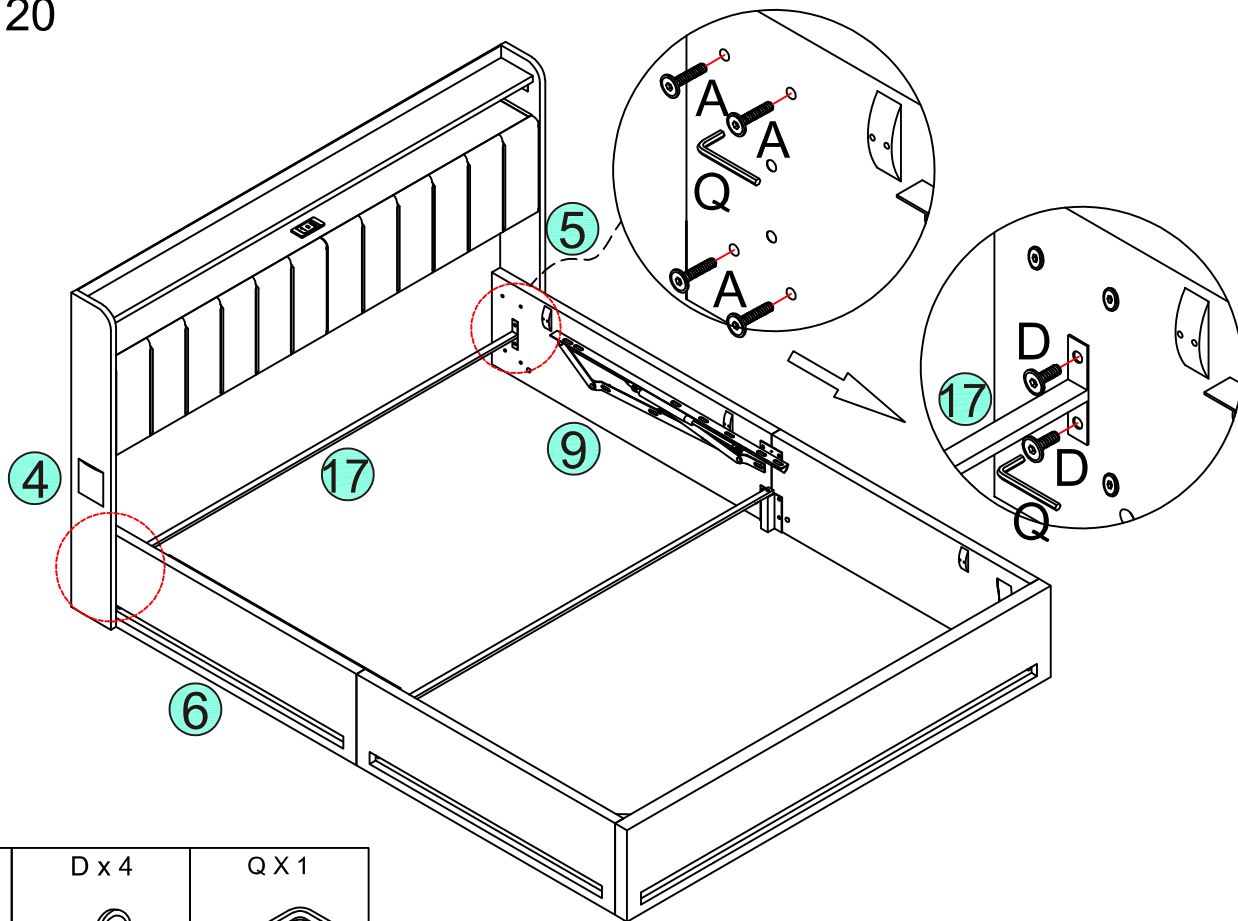


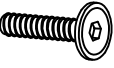
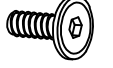

C x 2	D x 4	Q X 1	31 x 2
			
5/16X25mm	5/16X15mm	5/16	

STEP 19

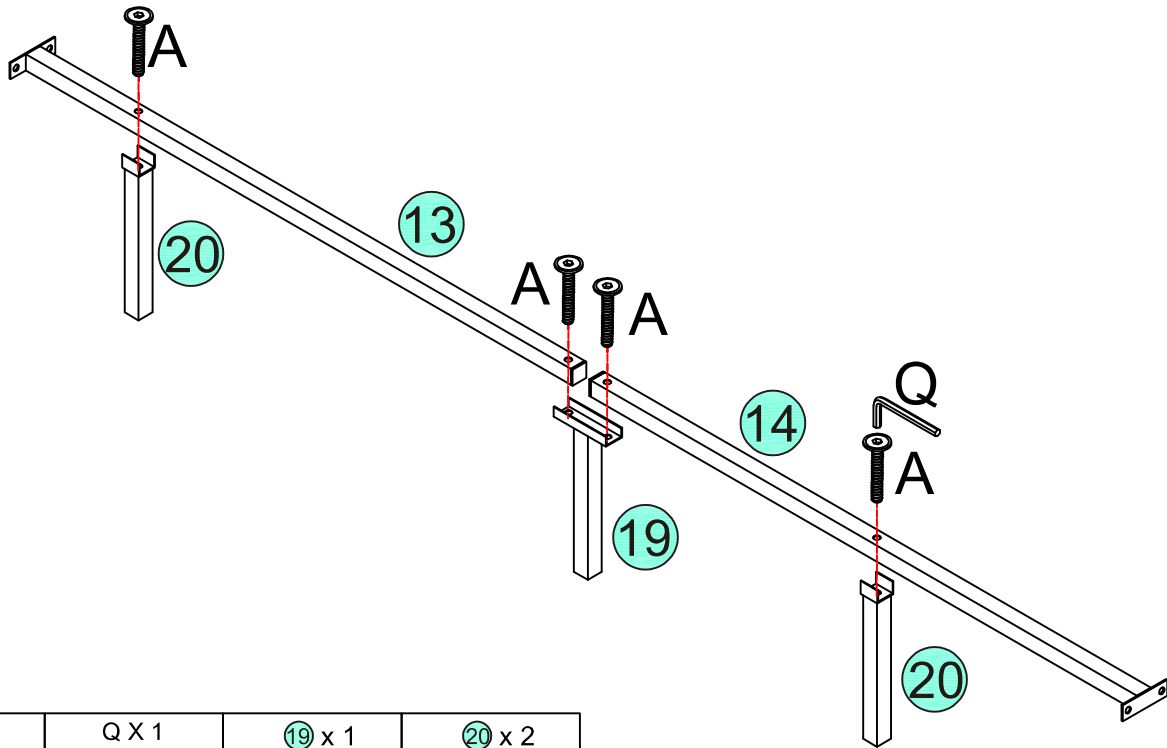




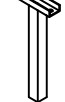

STEP 20



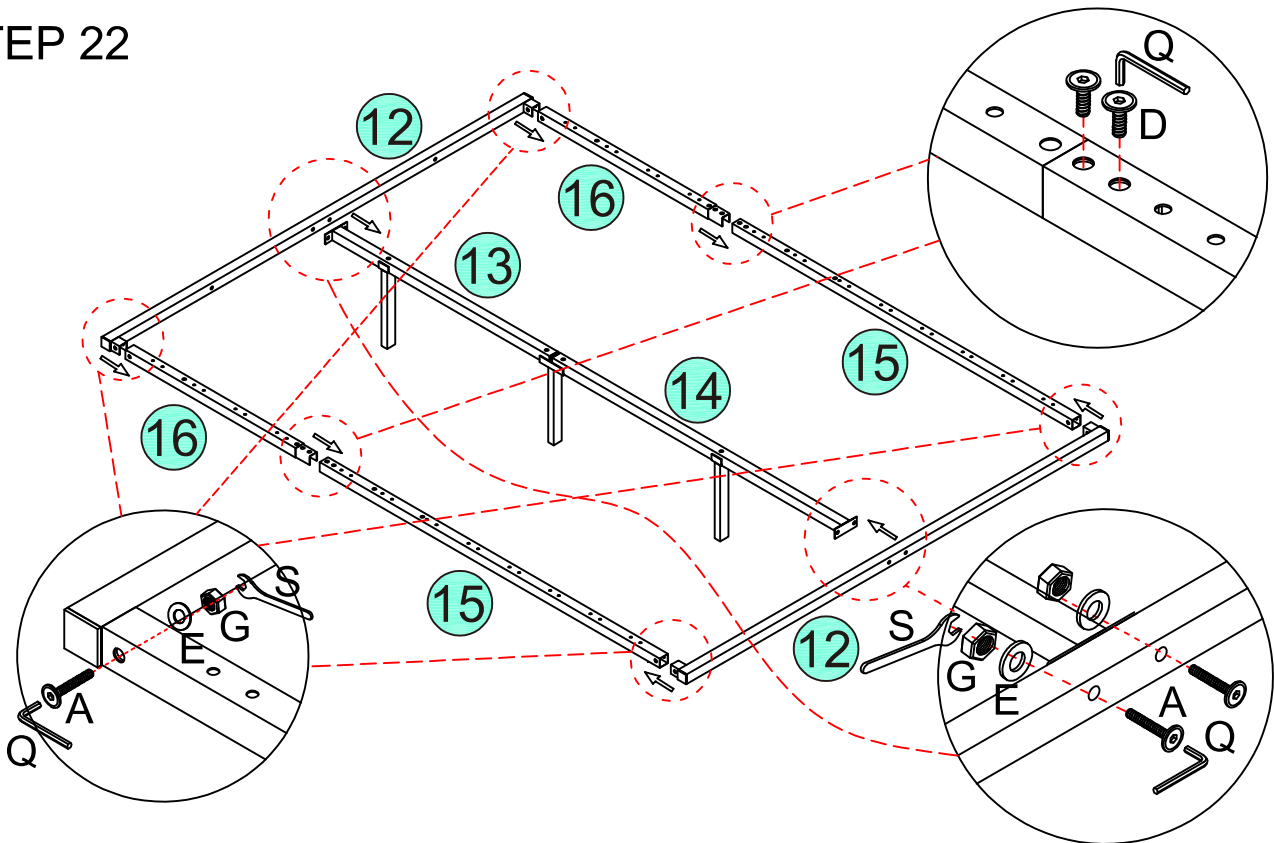
A x 8	D x 4	Q X 1
		
5/16X45mm	5/16X15mm	5/16







STEP 21



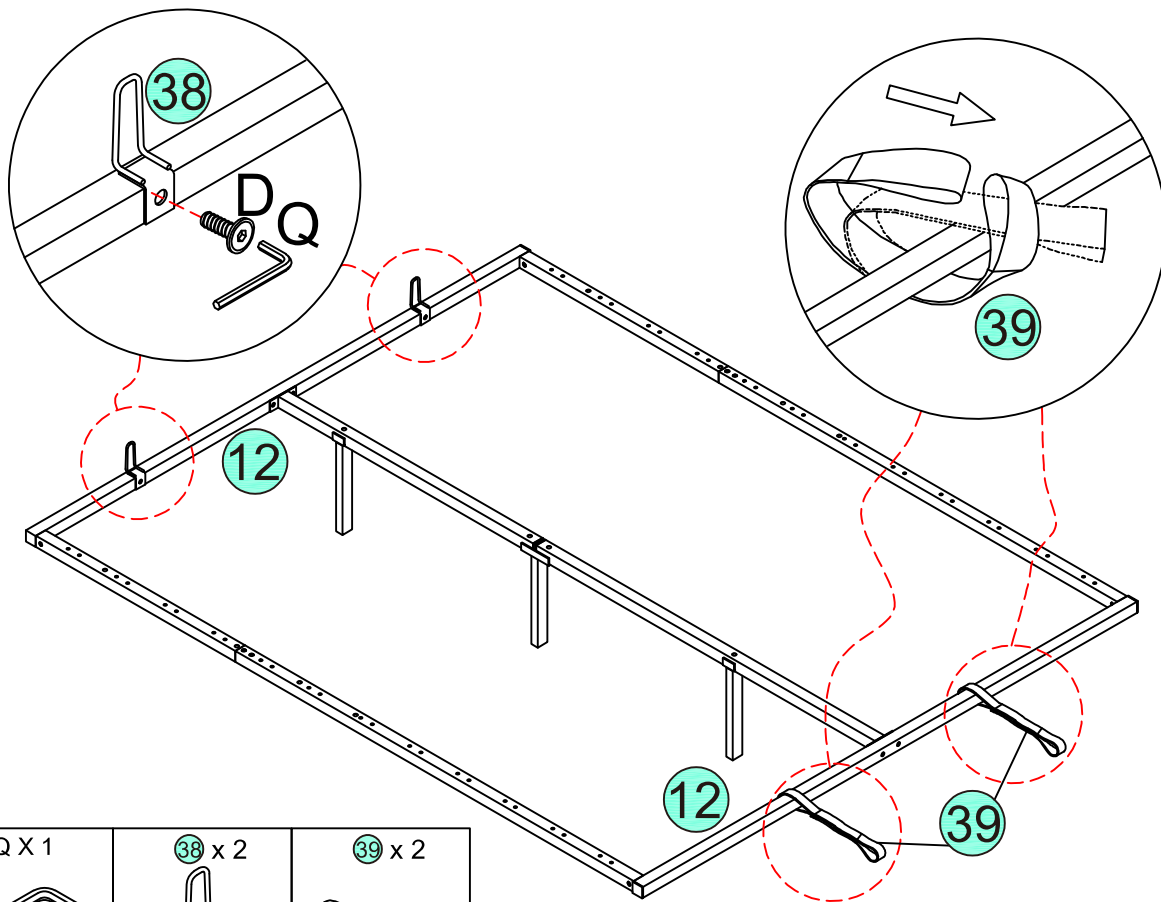
A x 4	Q X 1	19 x 1	20 x 2
			
5/16X45mm	5/16		

STEP 22



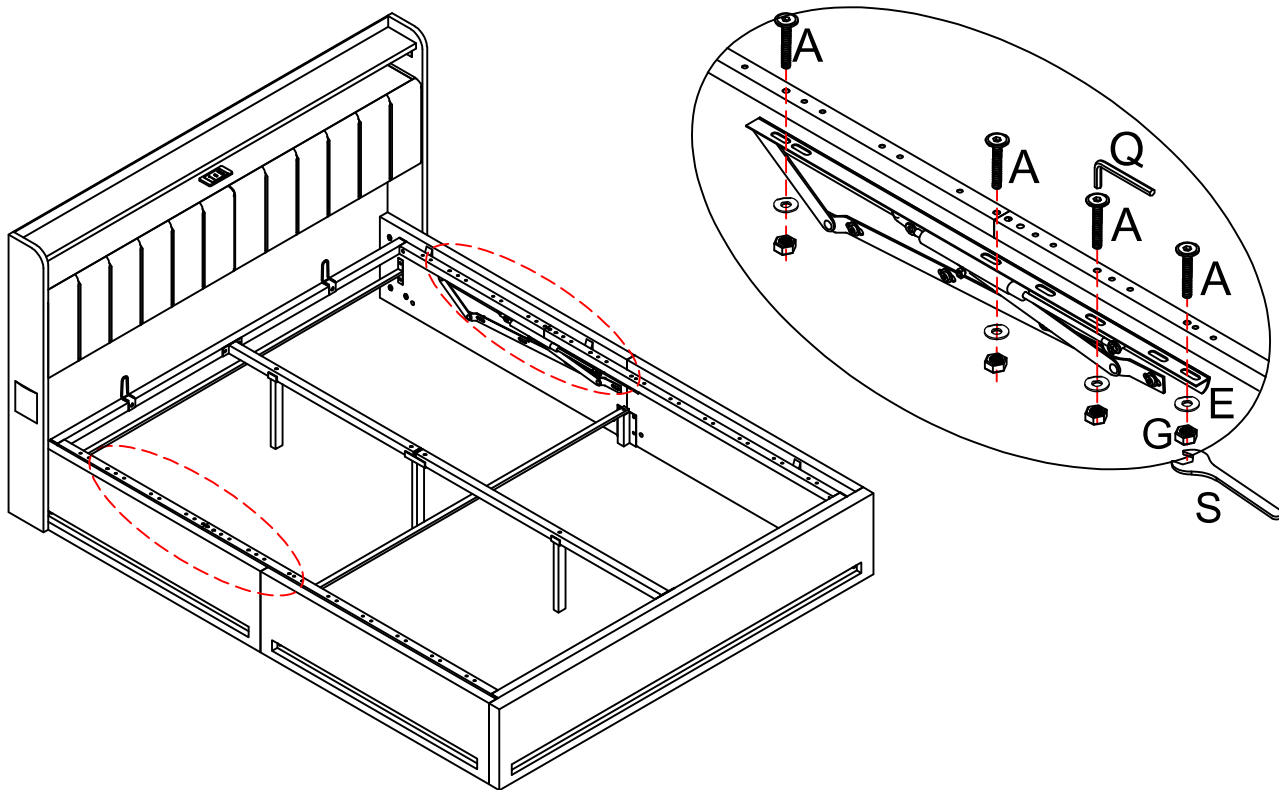
A x 8	D x 4	E x 8	G x 8	Q X 1	S x 1
					
5/16X45mm	5/16X15mm	Ø19X5/16	5/16	5/16	5/16

STEP 23



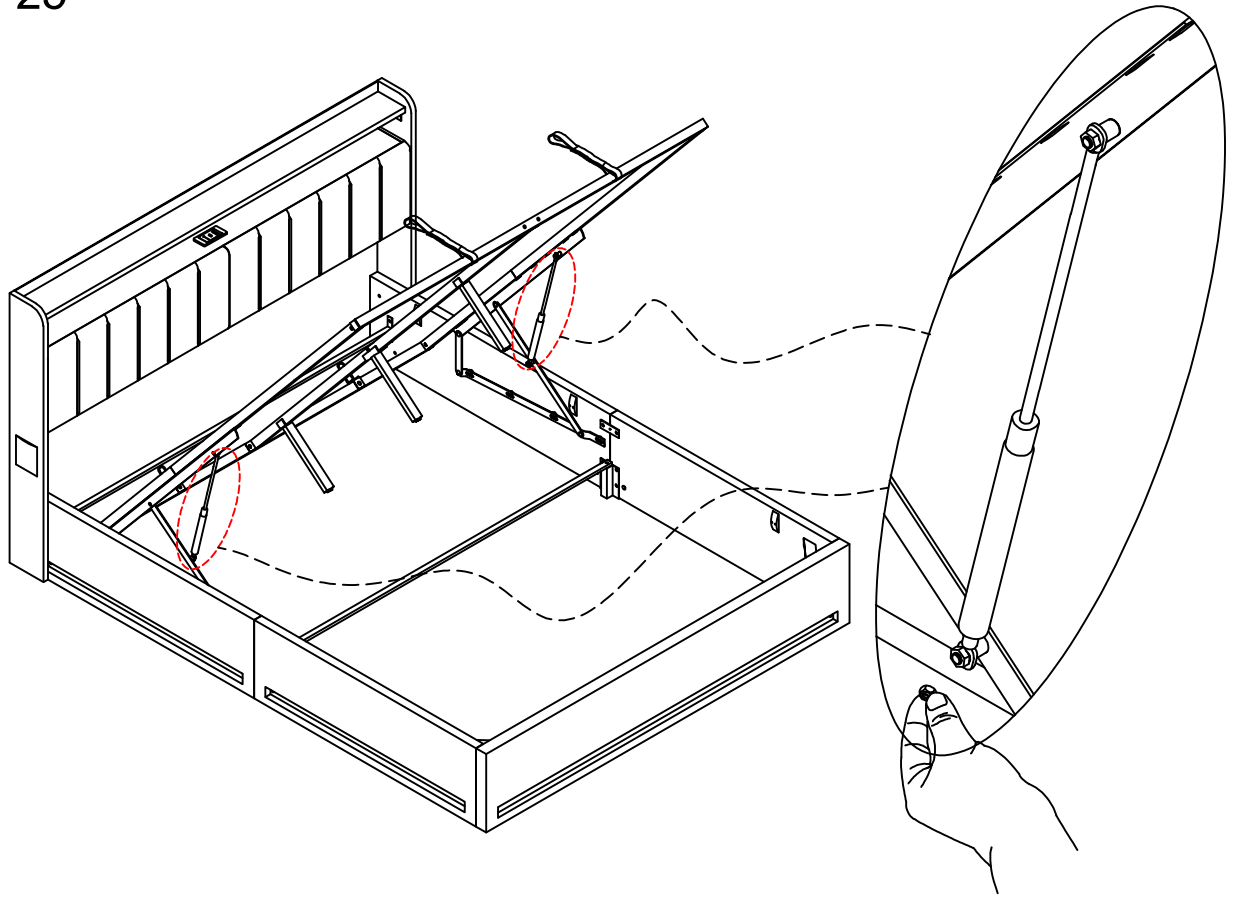
D X 2 5/16X15mm	Q X 1 5/16	38 x 2	39 x 2

STEP 24

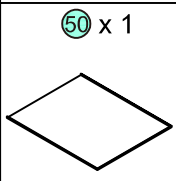
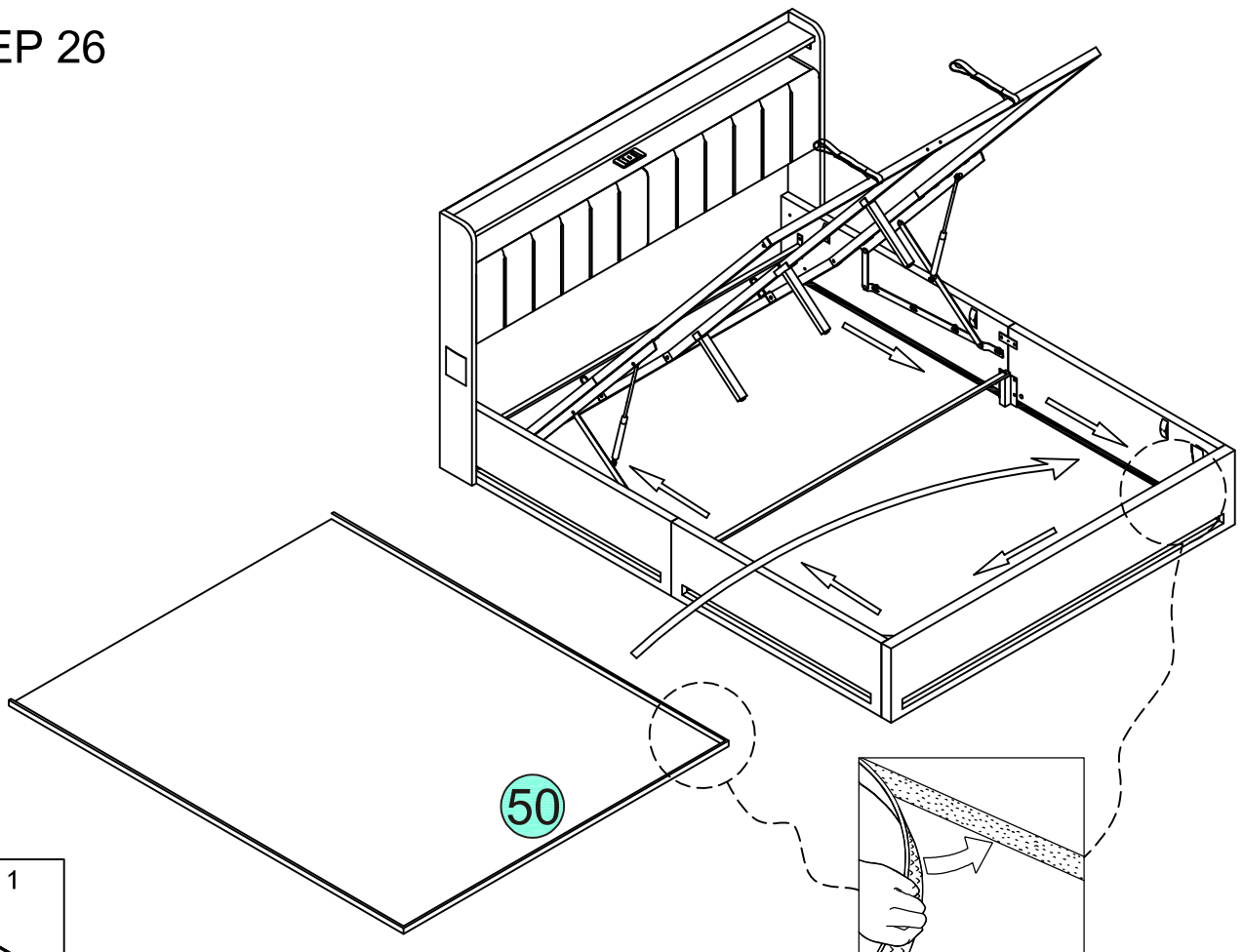


A x 8 5/16X45mm	E x 8 Ø19X5/16	G x 8 5/16	Q X 1 5/16	S x 1 5/16

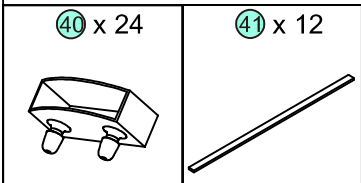
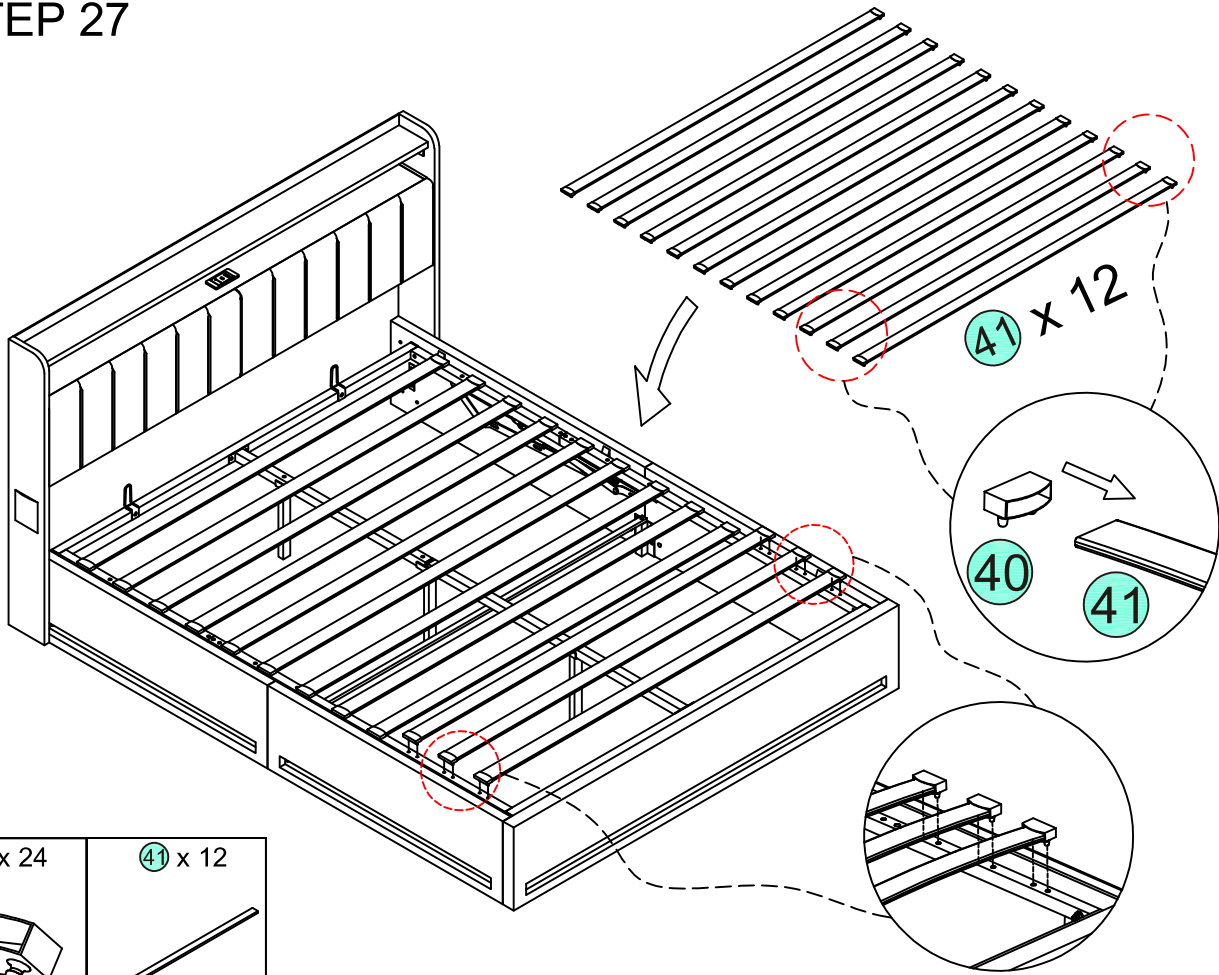
STEP 25



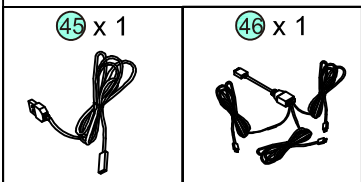
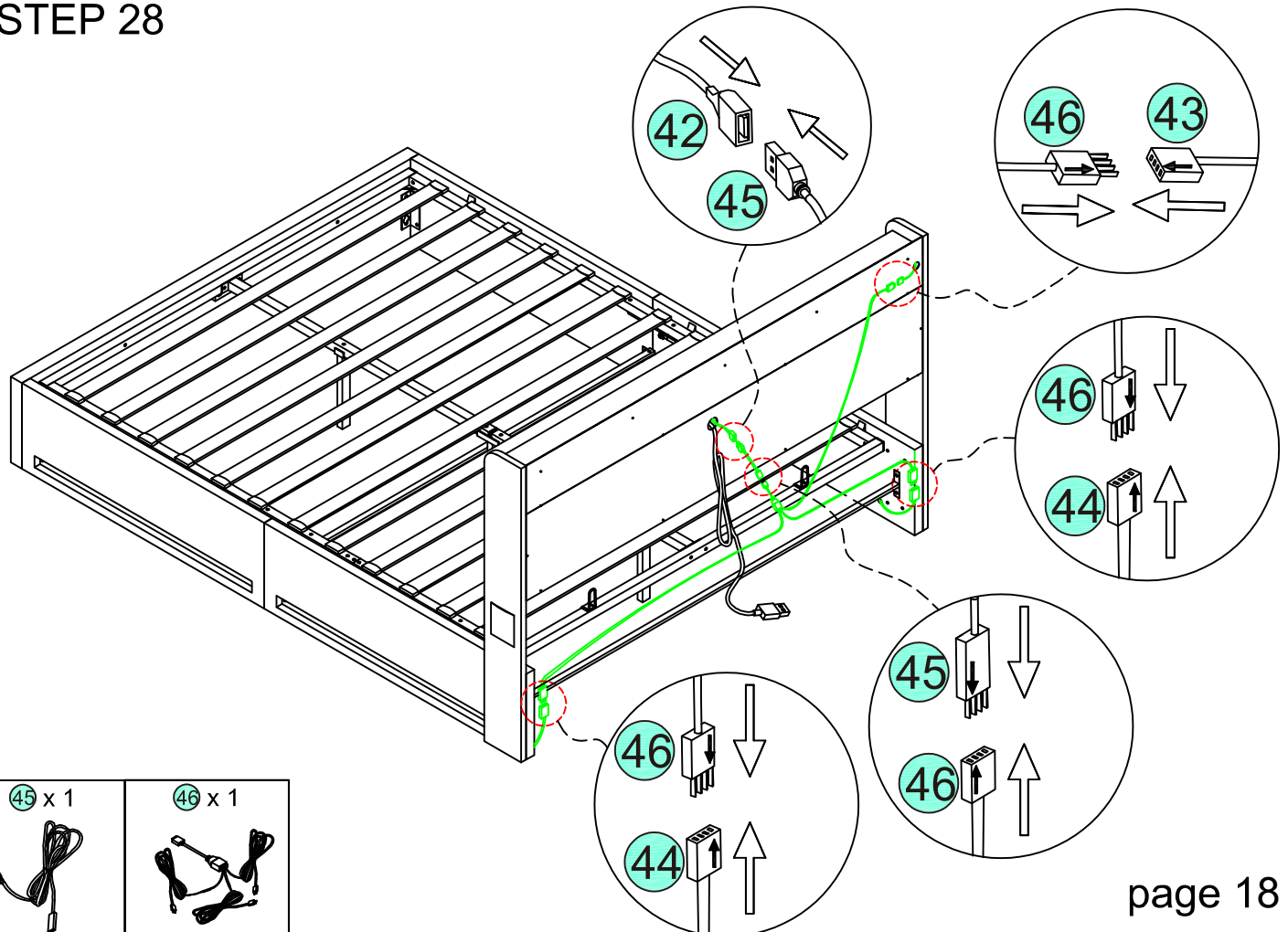
STEP 26



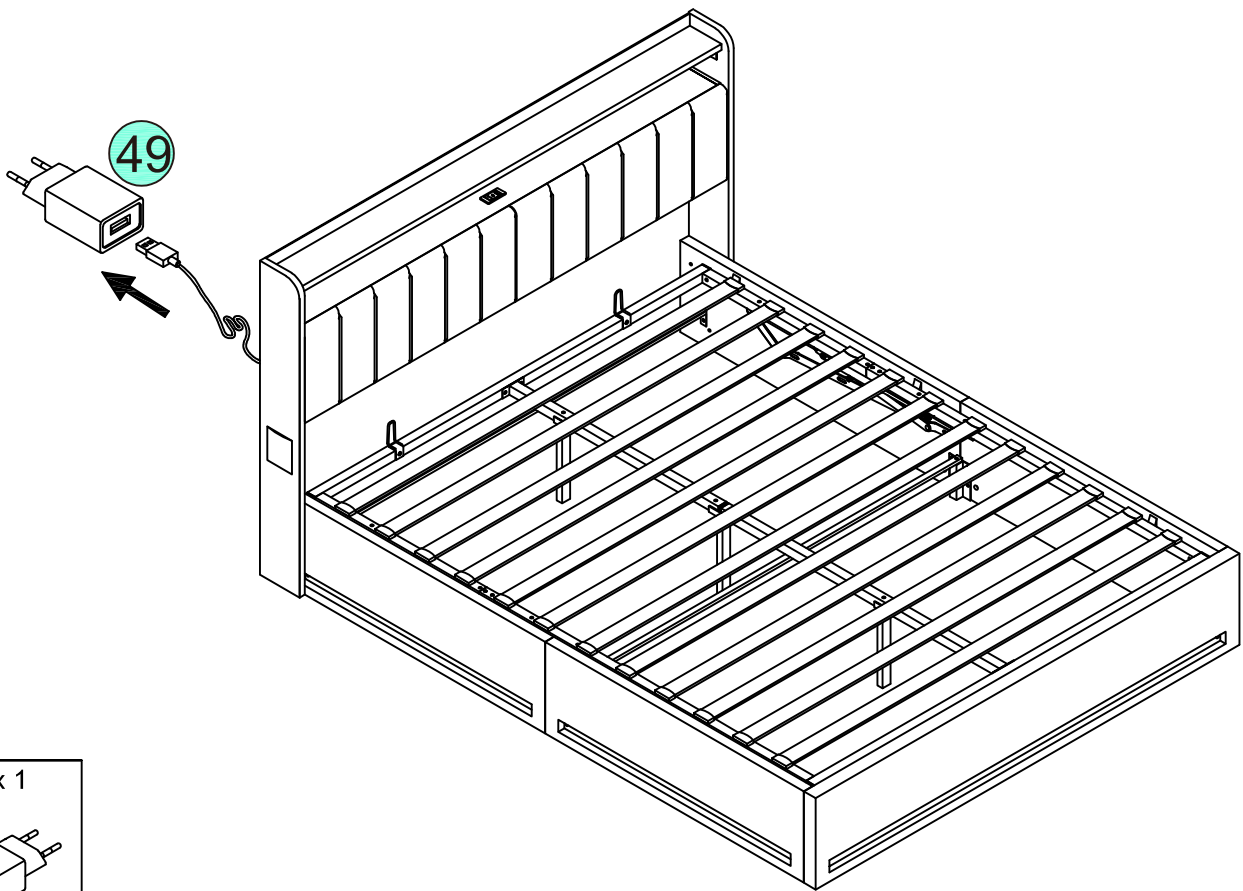
STEP 27



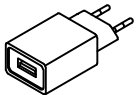
STEP 28



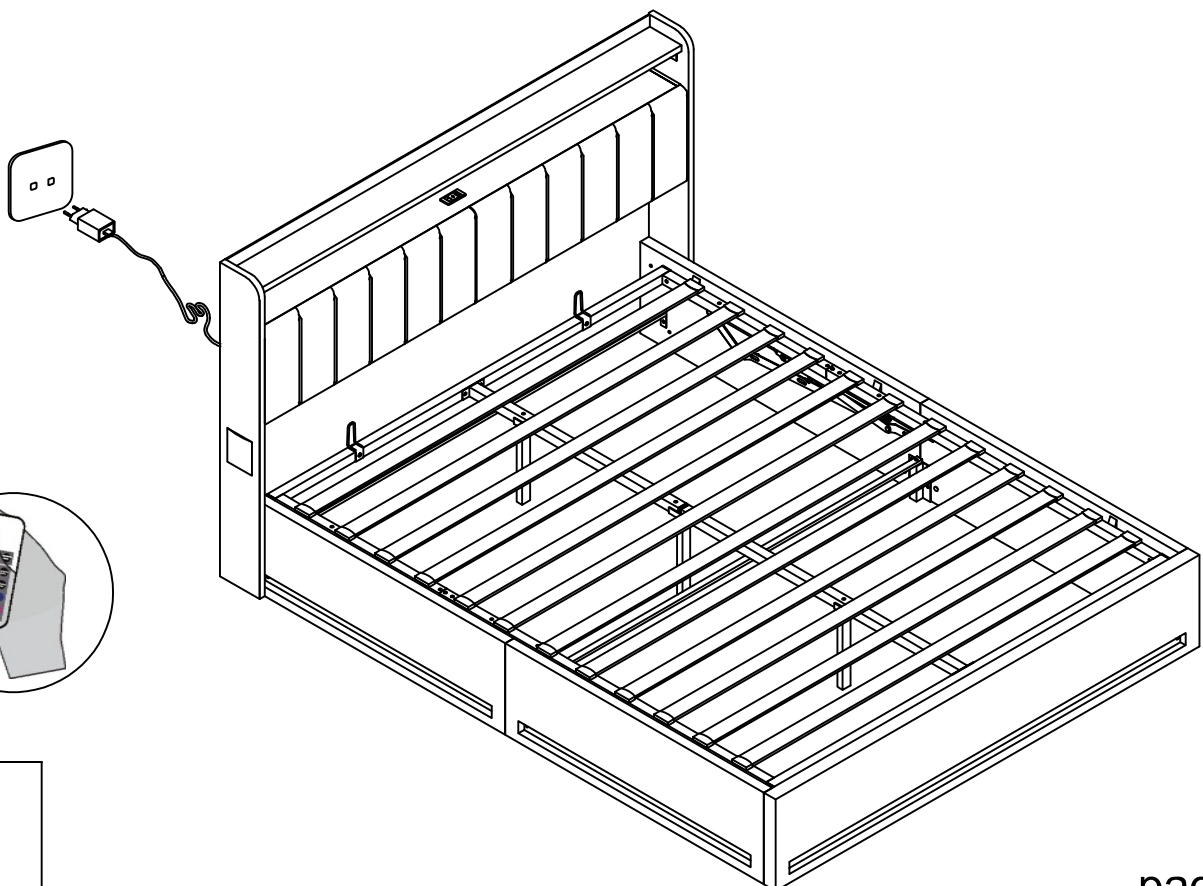
STEP 29



49 x 1



STEP 30



47 x 1

