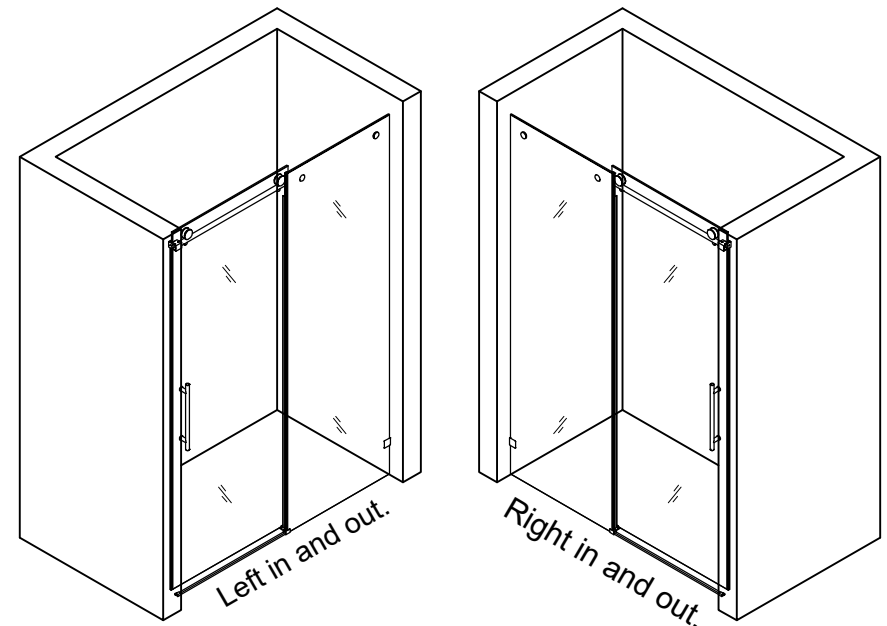


INSTALLATION MANUAL



Installation: Reversible (Left-hand / Right-hand)

Note: Glass panel must be flipped when changing installation side.

Install according to the required direction.

Please read before using it :)

English

Caution: The corners of tempered glass panels are the most fragile. Therefore, it's essential to use rubber blocks to ensure the glass never touches the tile surface during installation. Always place the glass on cardboard packaging or rubber blocks when it's out of its packaging, both before and during installation. We use rubber blocks to protect the glass, but you can also use wood, cardboard, or other rubber products to prevent breakage.

Attention Installer: A light haze or smudging may be present on the coated glass panels upon delivery. This can be easily removed using alcohol and a high-quality microfiber cloth, followed by rinsing with water. You can clean the glass either before or after installation.

Easy clean coating

Do not clean with strong acid and alkali detergents;
Do not clean with high-concentration alcohol;
Do not wipe with hard and sharp objects.

You may need these...



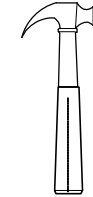
Level



Tape Measure



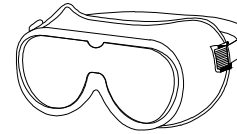
Pencil



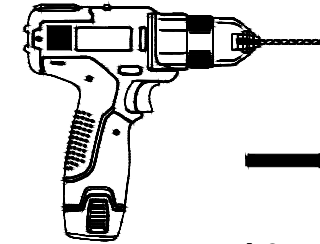
Hammer



Screwdriver



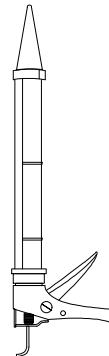
Safety Goggles



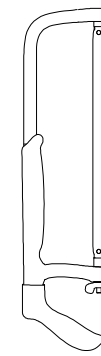
Electric Drill



Φ6mm Masonry Drill
Φ8mm Masonry Drill



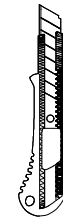
Caulking Gun



Hacksaw

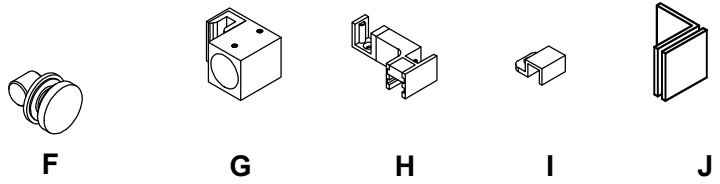
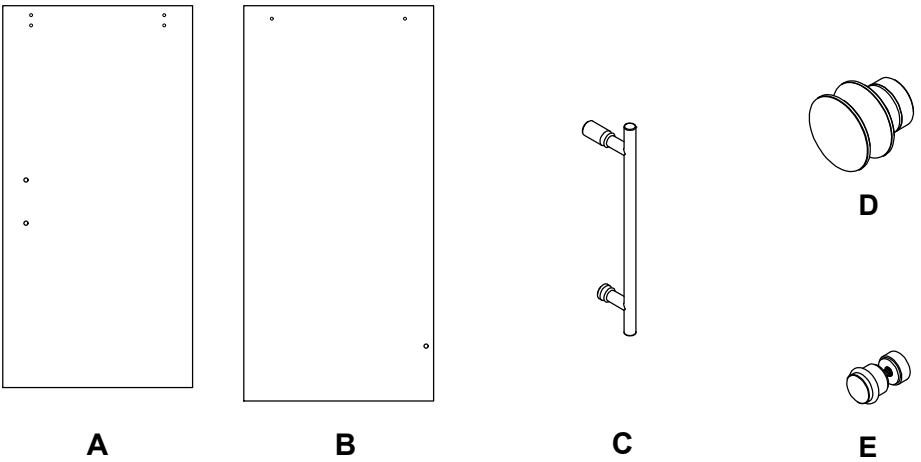
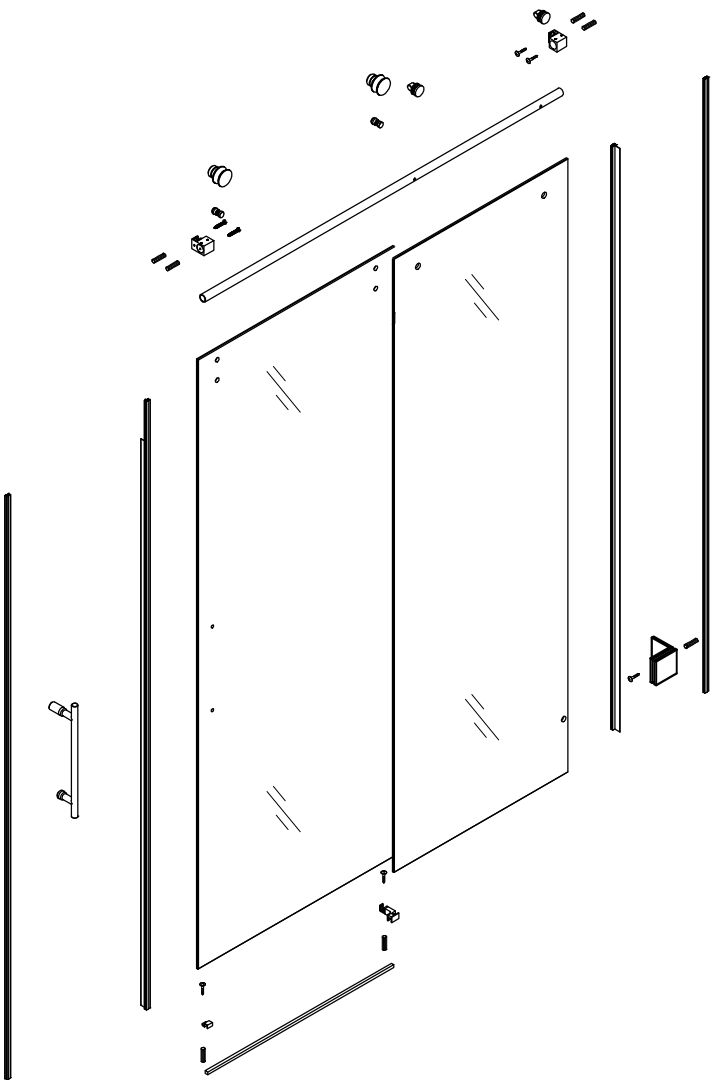


Wrench



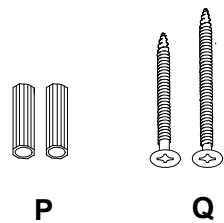
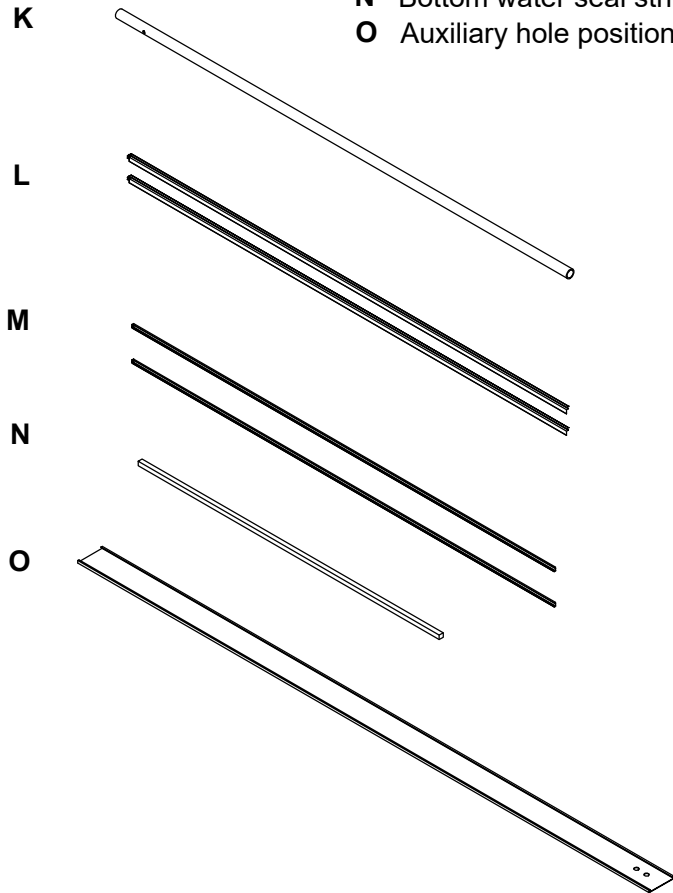
Cutter

What's inside?



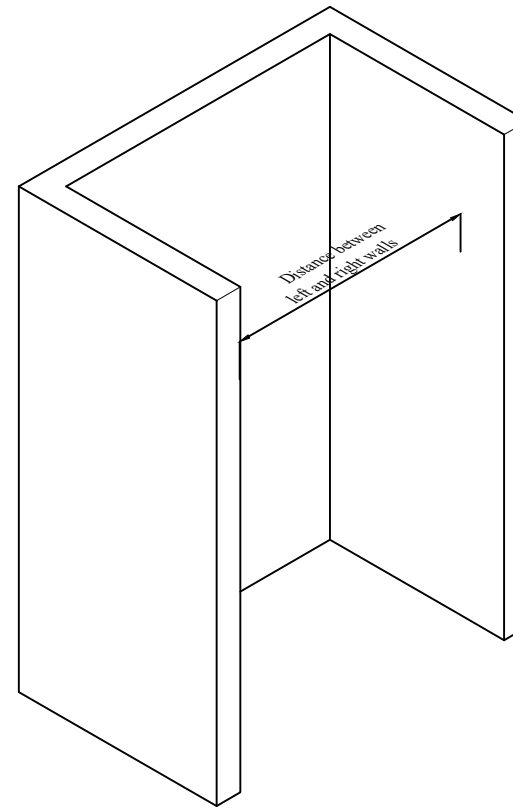
- A** Movable glass x1
- B** Fixed glass x1
- C** Handle x1
- D** Rollers x2
- E** Anti-falling device x2
- F** Glass clamps x2
- G** Pipe sleeve x2
- H** Lower slider x1
- I** Water blocking plug x1
- J** Wall clip x1

- K** Track x1
- L** Water blocking x2
- M** Buffer strip x2
- N** Bottom water seal strip x1
- O** Auxiliary hole positioning plate x1



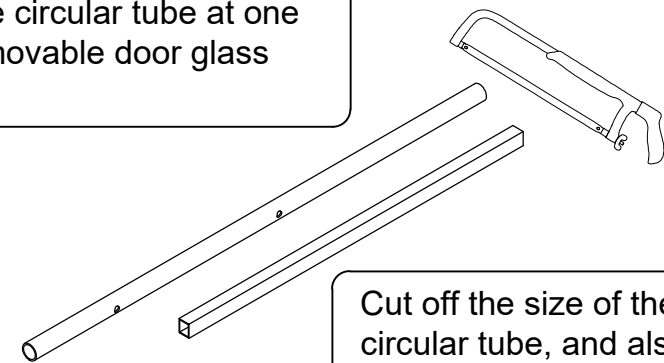
- P** Expansion tube $\varnothing 8$ x5
- Expansion tube $\varnothing 6$ x2
- Q** ST5*40 x5
- ST4*20 x2

1



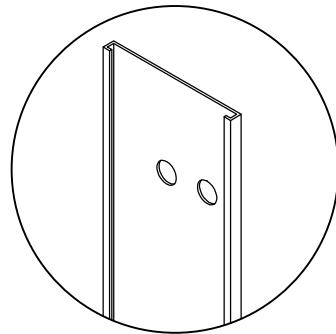
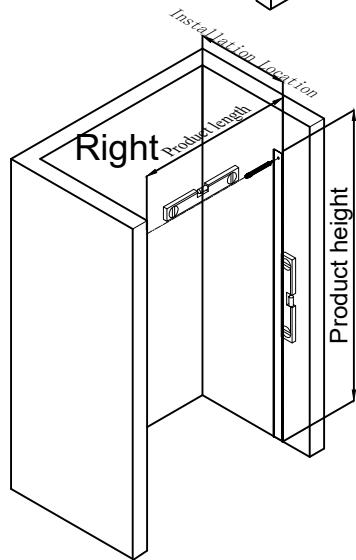
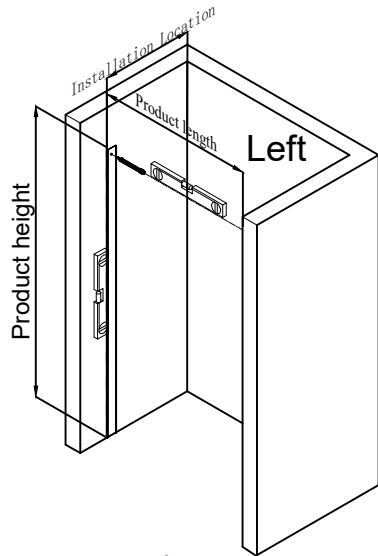
The length of the circular tube is equal to the distance between the left and right walls minus 25mm

If the size of the circular tube is too long, the circular tube at one end of the movable door glass can be cut

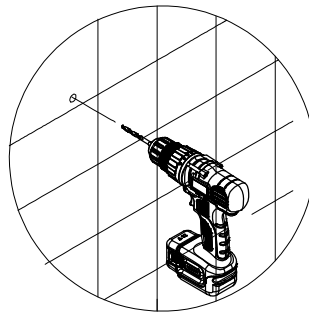


Cut off the size of the circular tube, and also cut the corresponding size of the bottom water blocking strip

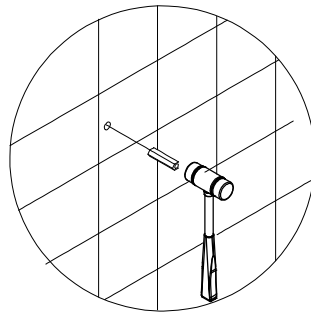
3



Auxiliary hole positioning plate



Ø8 Drill Bit



Expansion tube Ø8

Use an auxiliary perforated plate to make holes, keeping the left and right openings on the same horizontal plane

4

Before installation, insert the F accessories into the circular tube K as shown in diagram A

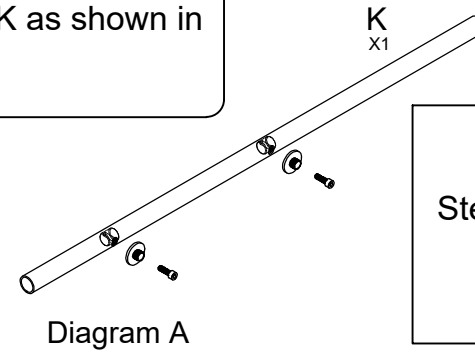
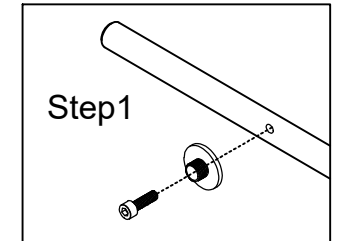
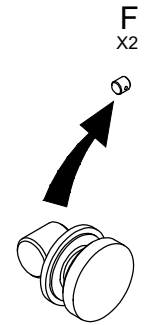


Diagram A



Step1

F Glass clamps



Remove the cylindrical positioning component of component F



G X2

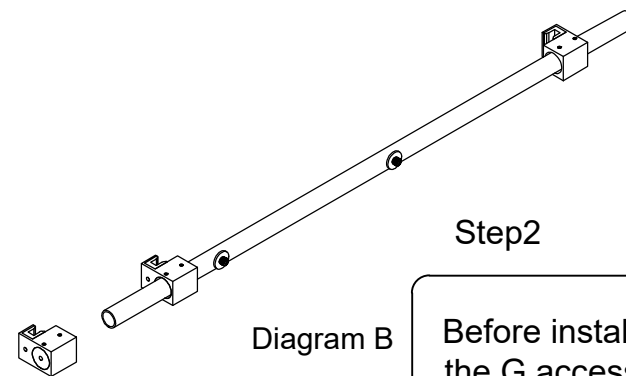


Diagram B

Step2

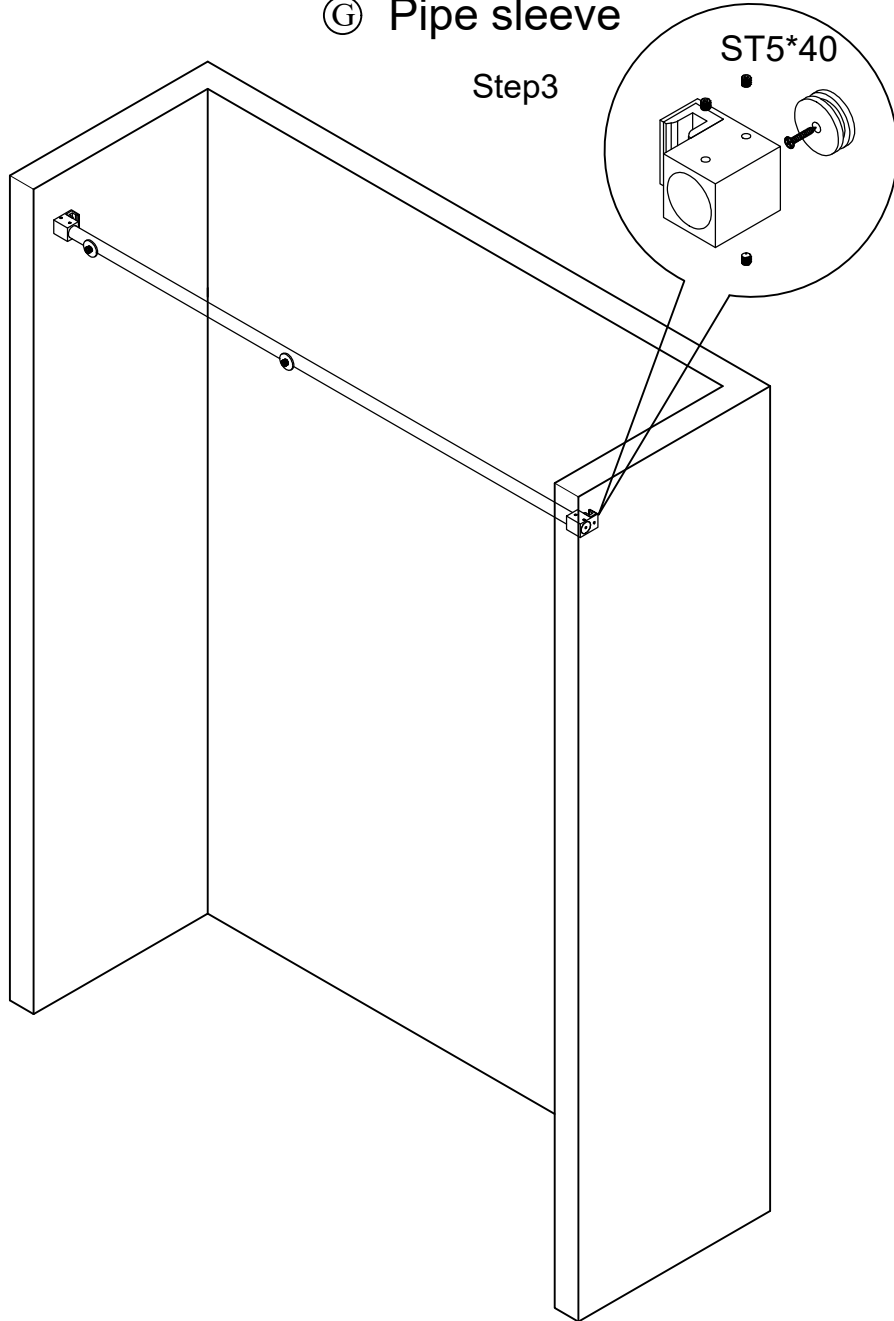
Before installation, insert the G accessories into the circular tube L as shown in diagram B

5

Ⓒ Pipe sleeve

Step3

ST5*40



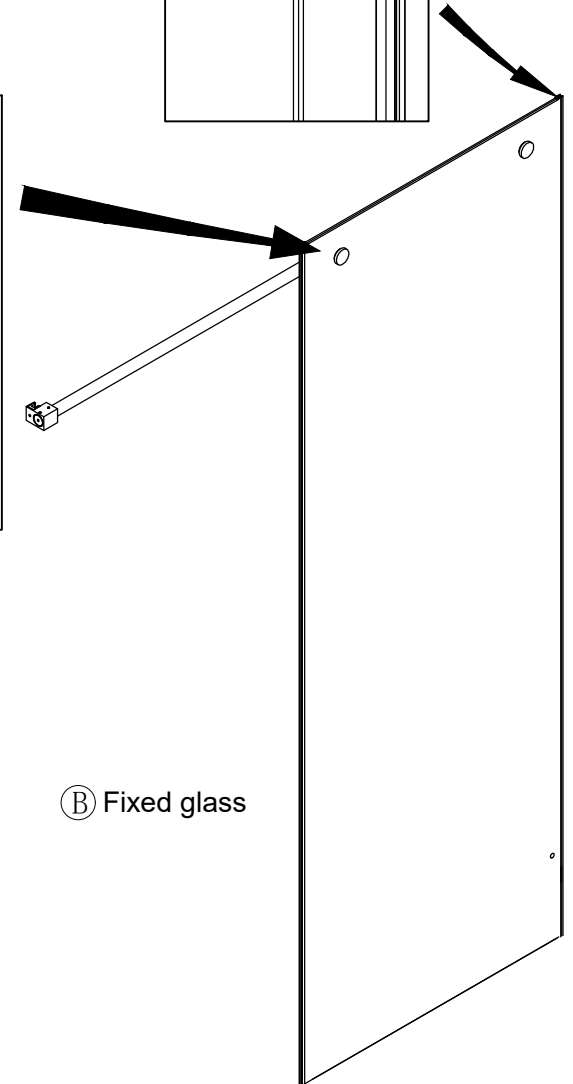
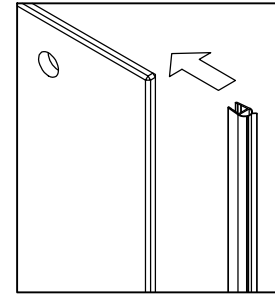
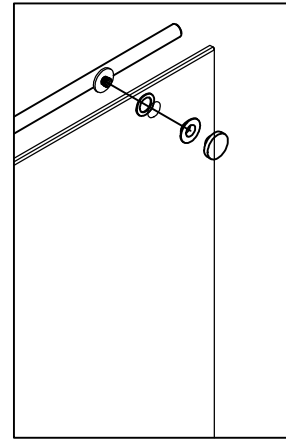
6

Step4

Ⓜ Buffer strip

Step5

ⓕ Glass clamps

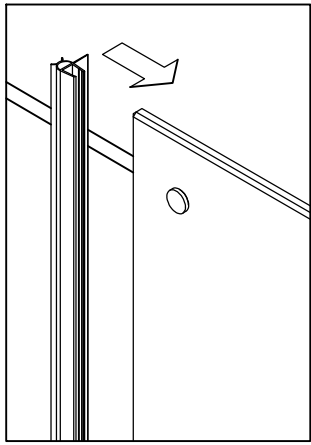


ⓑ Fixed glass

7

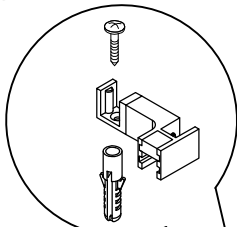
Step9

Ⓛ Water blocking



ⓓ Lower slider

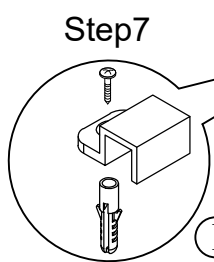
Step8



∅6 Drill Bit

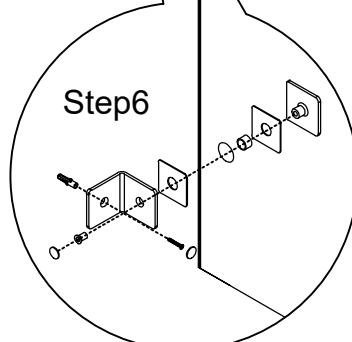
Ⓝ Bottom water seal strip

Step7



Ⓢ Water blocking plug

Step6

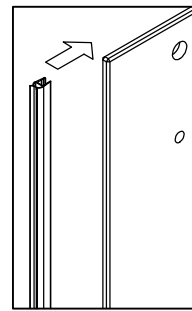


ⓐ Wall clip

8

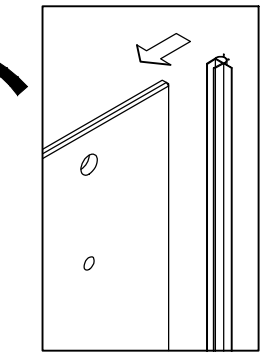
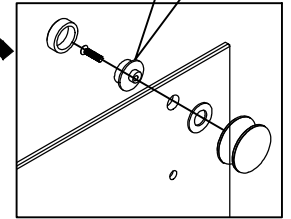
Step12

Ⓜ Buffer strip



Step10

ⓓ Rollers

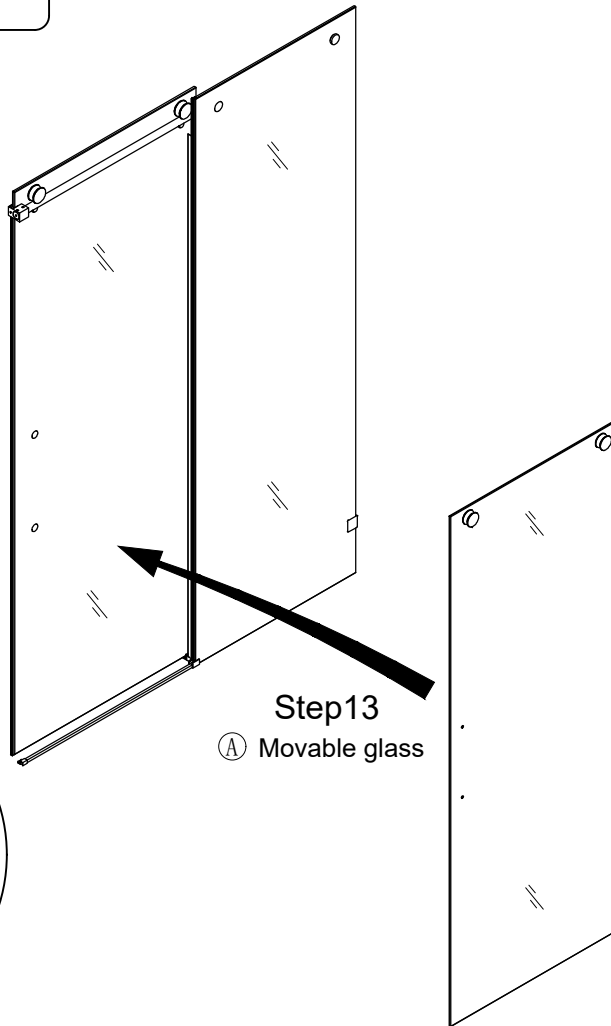
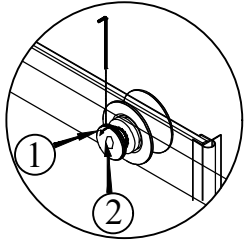


Ⓛ Water blocking

Step11

9

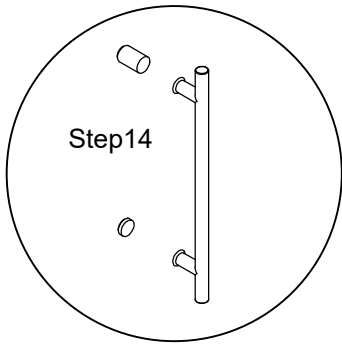
If the inclined movable door can adjust the upper wheel correction, first loosen "2", then adjust "1" with a hex key, and finally tighten "2"



Step13

(A) Movable glass

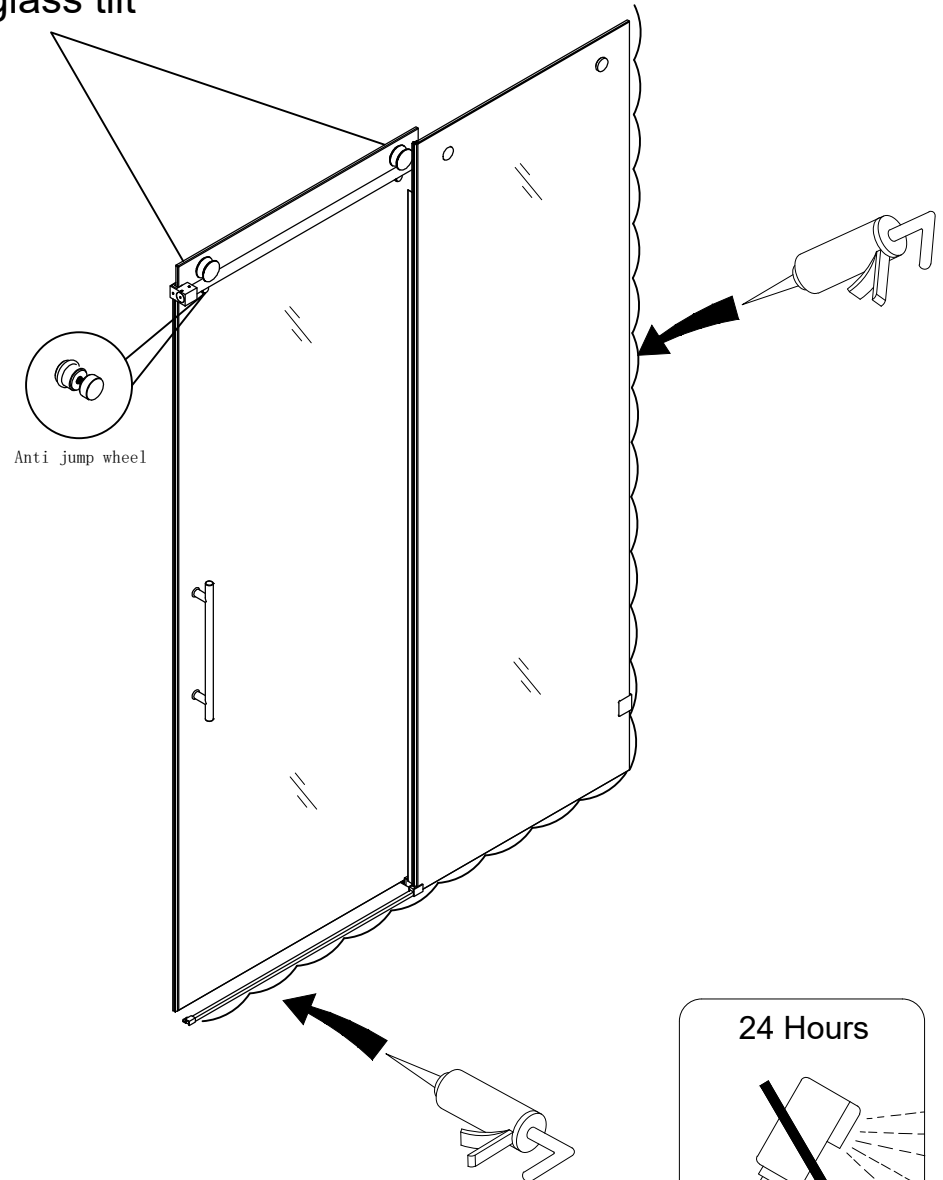
Step14



(C) Handle

10

Adjustable wheel to correct door glass tilt



Anti jump wheel

24 Hours

