



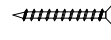

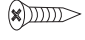

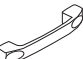
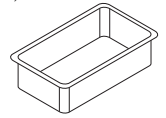
# Fency

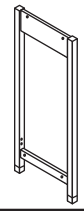
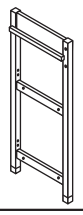
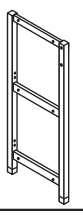
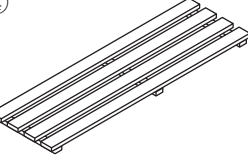
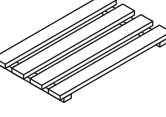
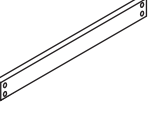
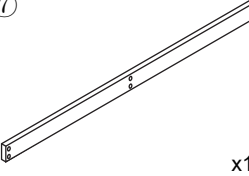
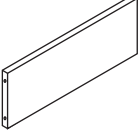
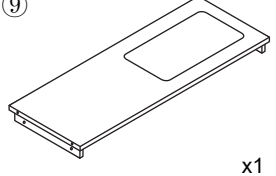
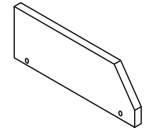
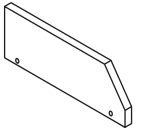
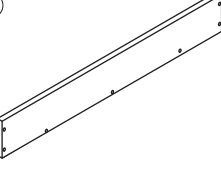
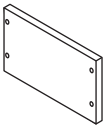
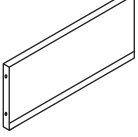
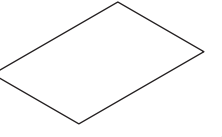
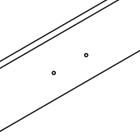
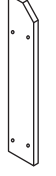

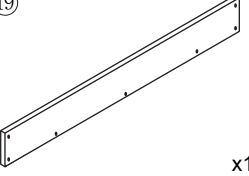
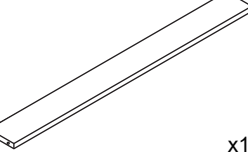
## Potting Bench Type B

### Assembly Instructions



# Parts list

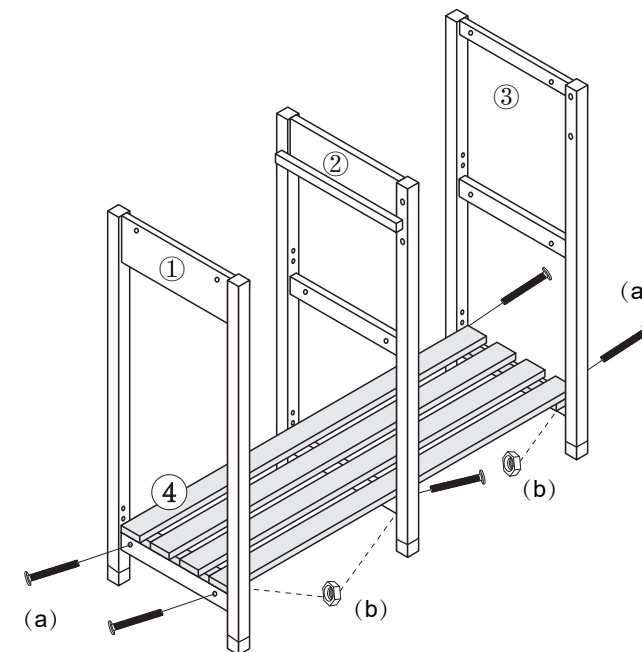
(a)  x14	(b)  x14	(c)  x49	(d)  x4	(e)  x8
(f)  x2	(g)  x1	(h)  x1		

①  x1	②  x1	③  x1	④  x1
⑤  x1	⑥  x1	⑦  x1	⑧  x1
⑨  x1	⑩  x1	⑪  x1	⑫  x1
⑬  x2	⑭  x1	⑮  x1	⑯  x1
⑰  x1	⑱  x1	⑲  x1	⑳  x1

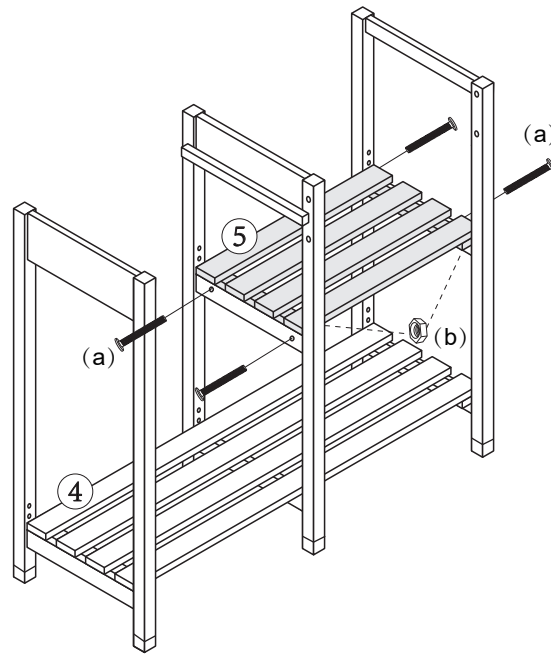
# Before you start

- ▲ Read all instructions carefully.
- ▲ Wear gloves.
- ▲ Take out all the parts from the carton and place them in order.
- ▲ Ask for a helping hand.
- ▲ Use a marker pen on the damaged area.

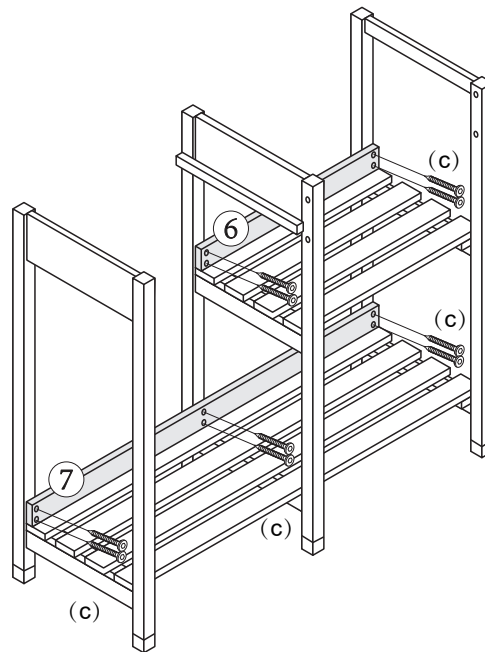
1. Use 6 (a) and 6 (b) to fix ④ on ①, ② and ③. Please note: many customers assemble item ① and ② incorrectly. Please assemble per instruction.



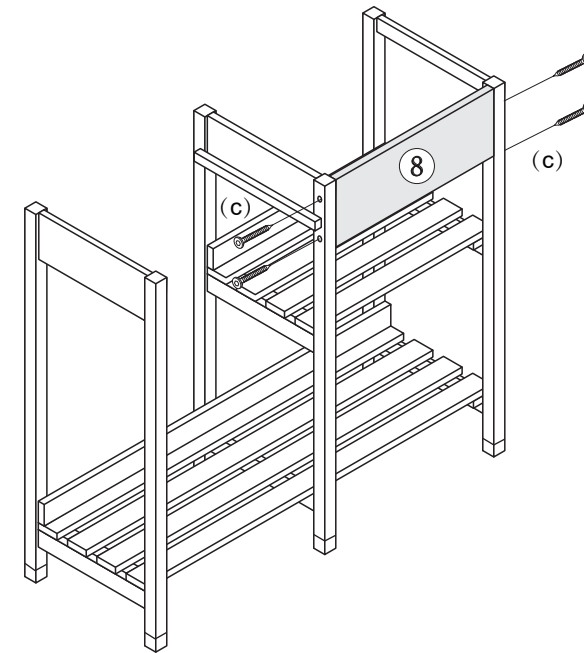
2. Use 4 (a) and 4 (b) to fix ⑤.



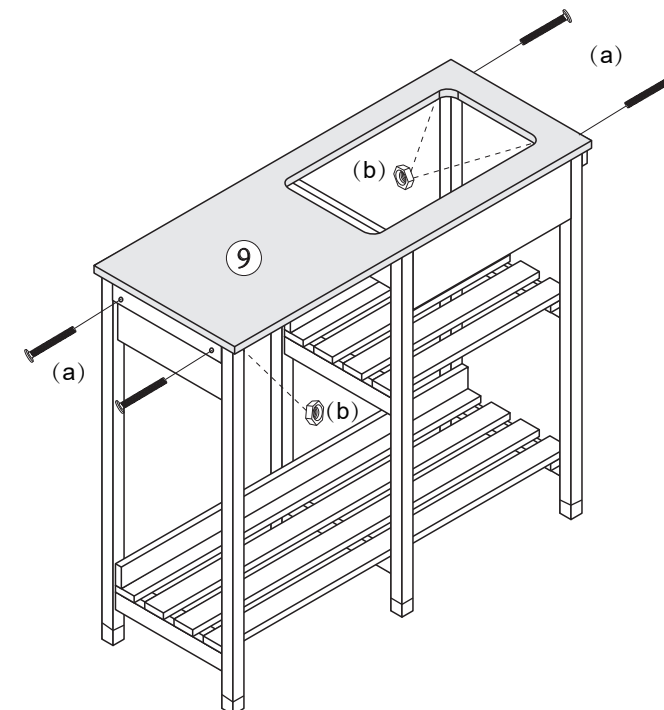
3. Use 10 (c) to fix ⑥ and ⑦.



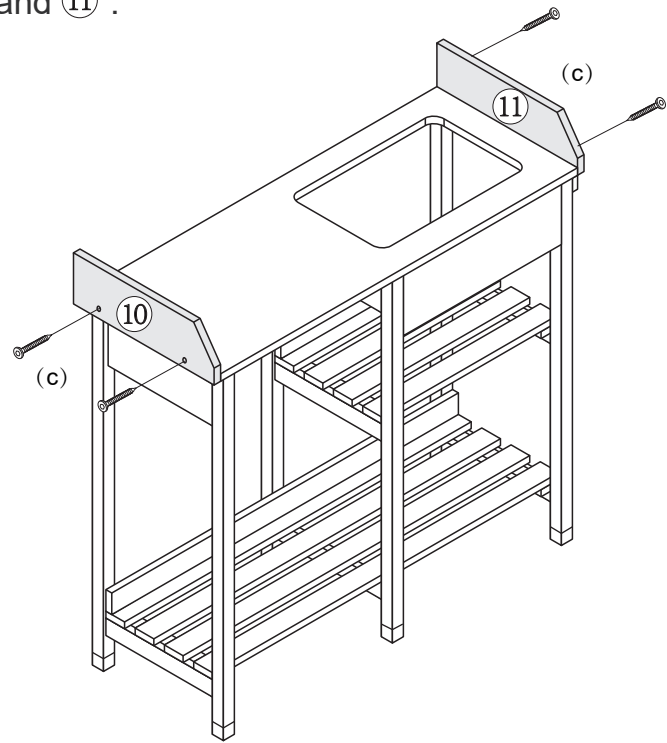
4. Use 4 (c) to fix ⑧.



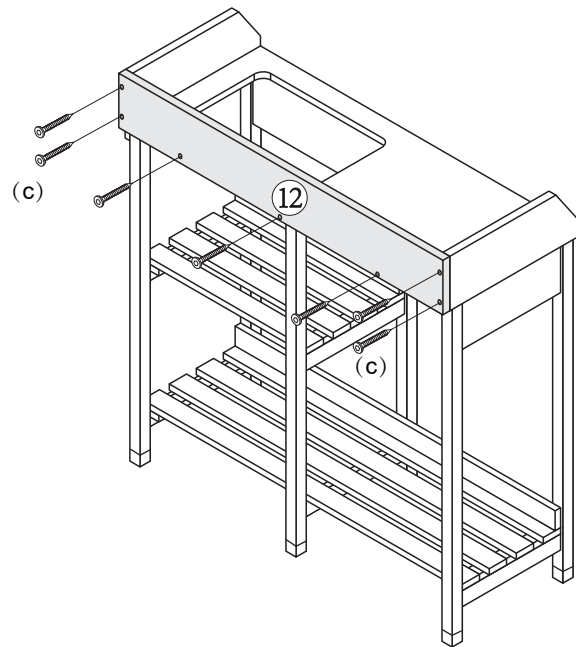
5. Use 4 (a) and 4 (b) to fix ⑨. Please note: many customers assemble item ⑨ and ② incorrectly. Please assemble per instruction.



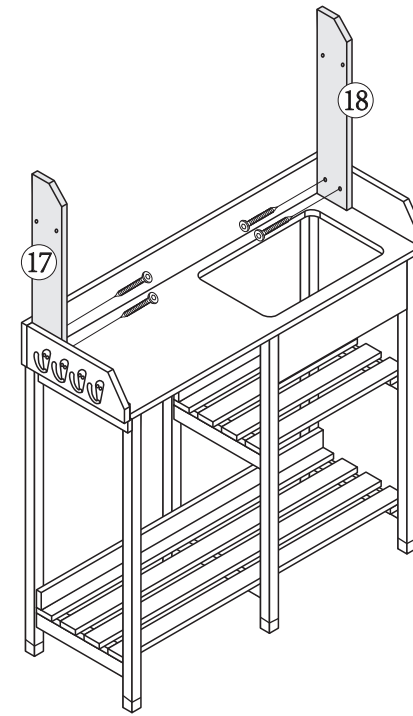
6. Use 4 (c) to fix ⑩ and ⑪ .



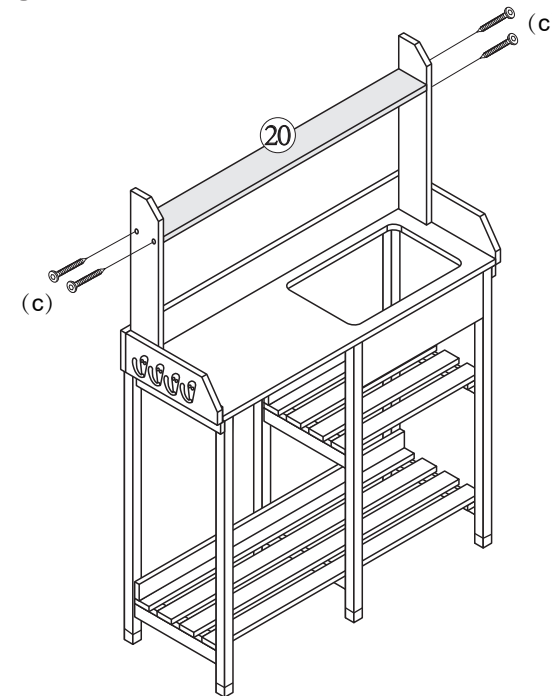
7. Use 7 (c) to fix ⑫.



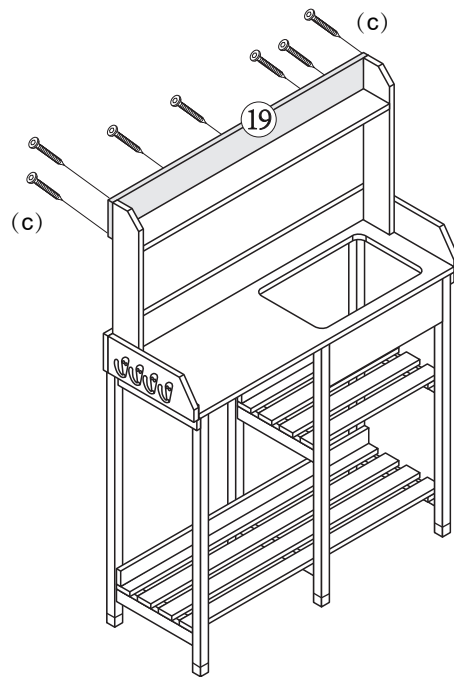
8. Use 4 (c) to fix ⑰ and ⑱ .



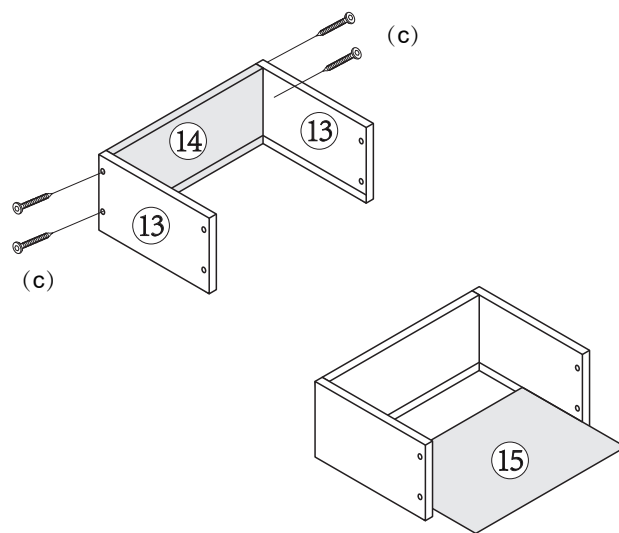
9. Use 4 (c) to fix ⑳.



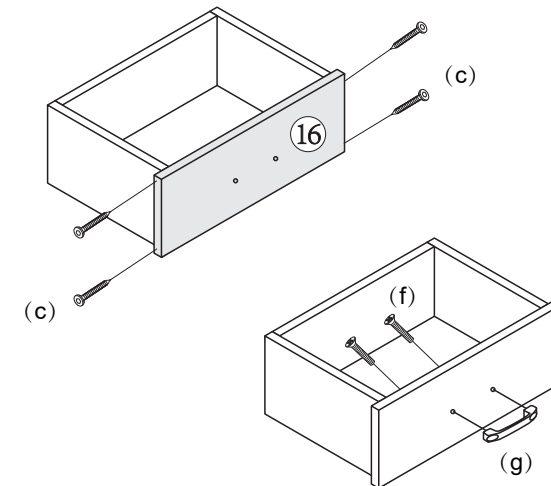
10. Use 7 (c) to fix ⑱ .



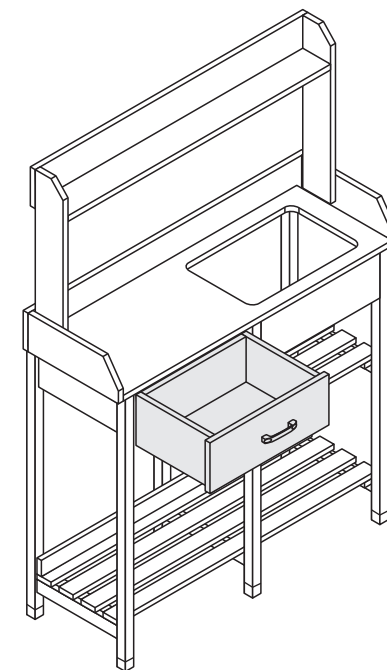
11. Use 4 (c) to fix 2 pieces ⑬ of ⑭ on . Push ⑮ in the groove. (please note: some times item ⑮ is not flat, but as long as you push it in, it will work well.)



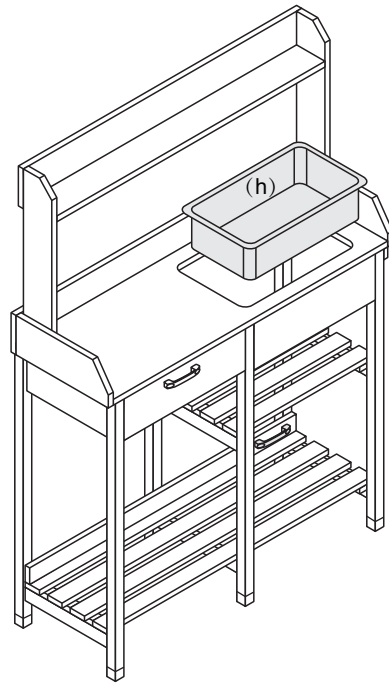
12. Use 4 (c) to fix ⑰, and use 2 (f) fix (g).



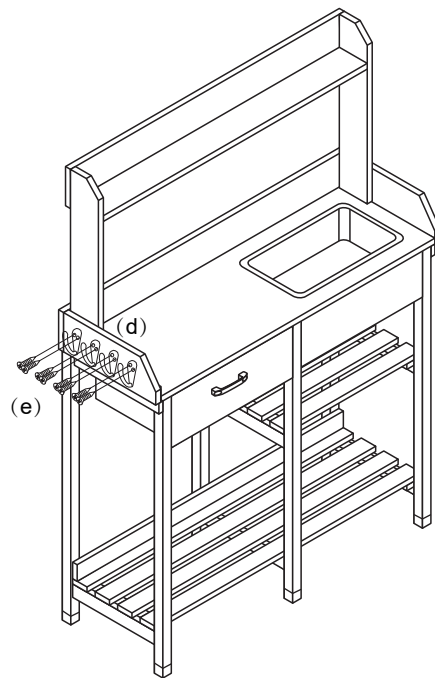
13. Carefully push the drawer in the potting bench.



14. Carefully place (h) per picture.



15. Use 8 (e) to fix 4 (d) on the potting bench. Please note: hooks could be fixed anywhere as you wish.



16. Finish.

