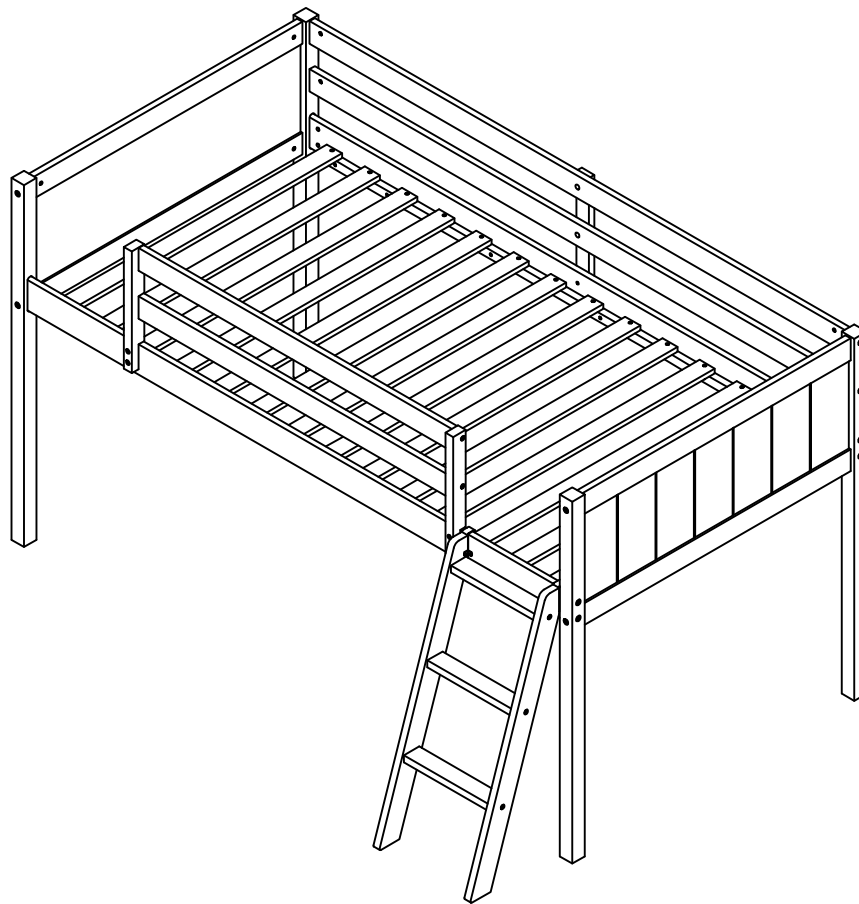


ASSEMBLY INSTRUCTIONS

TWIN LOW LOFT BED WITH STAIRS



SAFETY WARNINGS AND GENERAL NOTES:

Follow the information on the warnings on the bunk bed end structure and on the carton. Do not remove the warning label from the bed. Always use the recommended size mattress on mattress support, or both, to help prevent the likelihood of entrapment or falls.

The top surface of the mattress must be at least 5*inch (127mm) below the upper edge of the guardrail.

Do not allow children under 6 years of age to use the upper bunk.

Periodically check and ensure the guardrail, ladder and other components are in their proper position, free from damage, and all connectors are tight.

Do not allow horseplay on or under beds.

Always prohibit jumping on the bed.

Prohibit more than one person on upper bunk.

Always use the ladder for entering and leaving the upper bunk.

Do not use substitute parts. Contact the manufacturer or dealer for replacement parts.

Use of a night-light may provide added safety precaution for a child using the upper bunk.

Always use guardrails on both long sides of the upper bunk.

If the bunk bed will be placed next to a wall, the guardrail that runs the full length of the bed should be placed against the wall to prevent entrapment between the bed and the wall.

The use of water or sleep flotation mattresses is prohibited.

STRANGULATION HAZARD-Never attach or hang items to any part of the bunk bed that are not designed for use with the bed.

Keep these instructions for future reference.

We recommend assembling your bunk bed on the shipping carton to protect your floor or carpet.

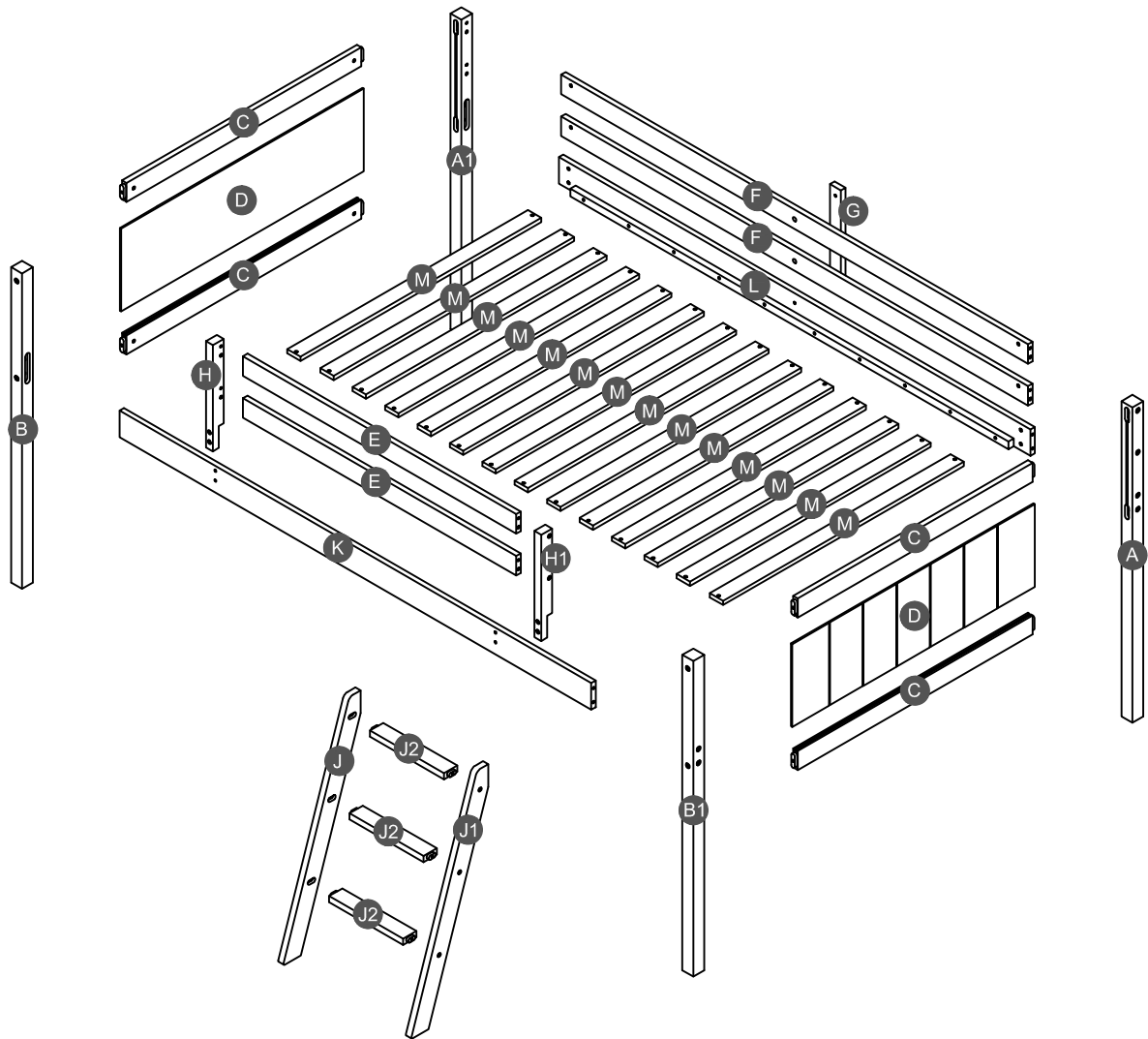
Be certain all staples are out of the box before beginning assembly on the shipping carton.

THIS BED IS DESIGNED TO USE A TWIN MATTRESSES 38 1/2" WIDE X 74"-75" LONG WITH THE TOTAL THICKNESS NOT EXCEEDING 6" FOR UPPER BUNK, SURFACE OF MATTRESS MUST BE AT LEAST 5" (127MM) BELOW THE UPPER EDGE OF GUARDRAILS.

Replacement Parts:

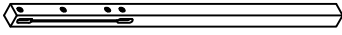
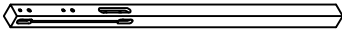
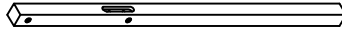
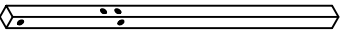
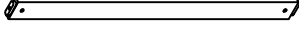
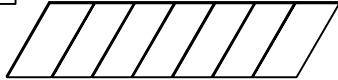




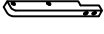
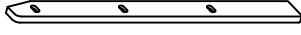
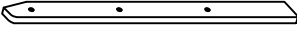
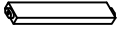
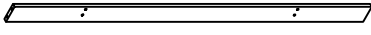


Replacement Parts, including additional guardrails, may be obtained from any of our (GIGACLOUD TECHNOLOGY (USA) INC. 18961 ARENTH AVENUE, CITY OF INDUSTRY , CA, 91748.) dealers

Detail View



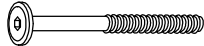





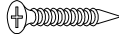
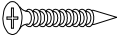
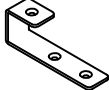



Part List

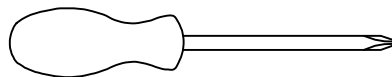
WF313084

<p>A</p>  <p>Leg (Right back) - 1pc</p>	<p>A1</p>  <p>Leg (Left back) - 1pc</p>	<p>B</p>  <p>Leg (Left Front) - 1pc</p>
<p>B1</p>  <p>Leg (Right Front) - 1pc</p>	<p>C</p>  <p>Horizontal bar - 4pcs</p>	<p>D</p>  <p>Panel HB & FB - 2pcs</p>
<p>E</p>  <p>Short guard rail (Front) - 2pcs</p>	<p>F</p>  <p>Long guard rail (Back) - 2pcs</p>	<p>G</p>  <p>Vertical guard rail (Back) - 1pc</p>
<p>H</p>  <p>Support guard rail (Left) - 1pc</p>	<p>H1</p>  <p>Support guard rail (Right) - 1pc</p>	<p>J</p>  <p>Ladder (left) - 1pc</p>
<p>J1</p>  <p>Ladder (right) - 1pc</p>	<p>J2</p>  <p>Step ladder - 3pcs</p>	<p>K</p>  <p>Side rail (front) - 1pc</p>
<p>L</p>  <p>Side rail (back) - 1pc</p>	<p>M</p>  <p>Slat - 14pcs</p>	

Hardware List

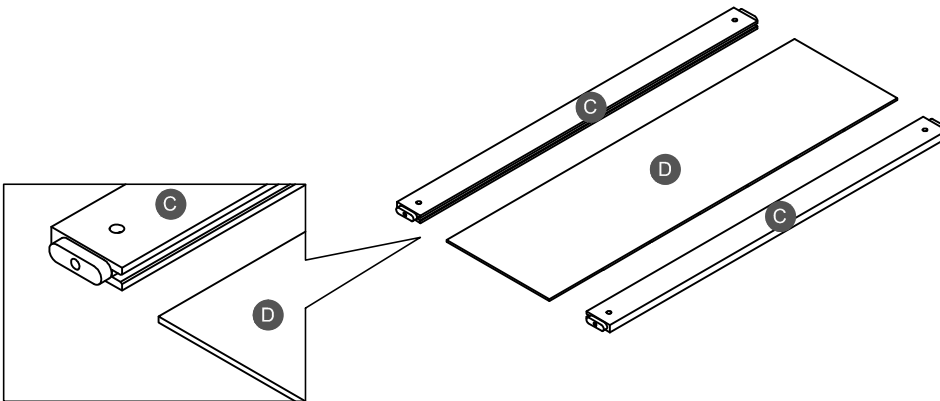
1	 Ø10*40mm Wood dowel (8pcs)	2	 (Ø15)1/4"*100mm Hex-Head bolts (12pcs)	3	 (Ø15)1/4"*80mm Hex-Head bolts (12pcs)
4	 (Ø12)1/4"*60mm Hex-Head bolts (6pcs)	5	 (Ø12)1/4"*35mm Hex-Head bolts (4pcs)	6	 (Ø12)1/4"*30mm Hex-Head bolts (3pcs)
7	 1/4"*15 (9.5mm) Horizontal-Hole bolts (30pcs)	8	 (1/4")4.5*58mm Allen key (1pc)	9	 Ø4*30mm Wood screws (28pcs)
10	 Ø4*19mm Wood screws (10pcs)	11	 81*26*21*(2.5mm) Hooks (2pcs)	12	 21*21*17*1.7mm Metal bracket (2pcs)

ASSEMBLY TOOLS REQUIRED (NOT INCLUDED)



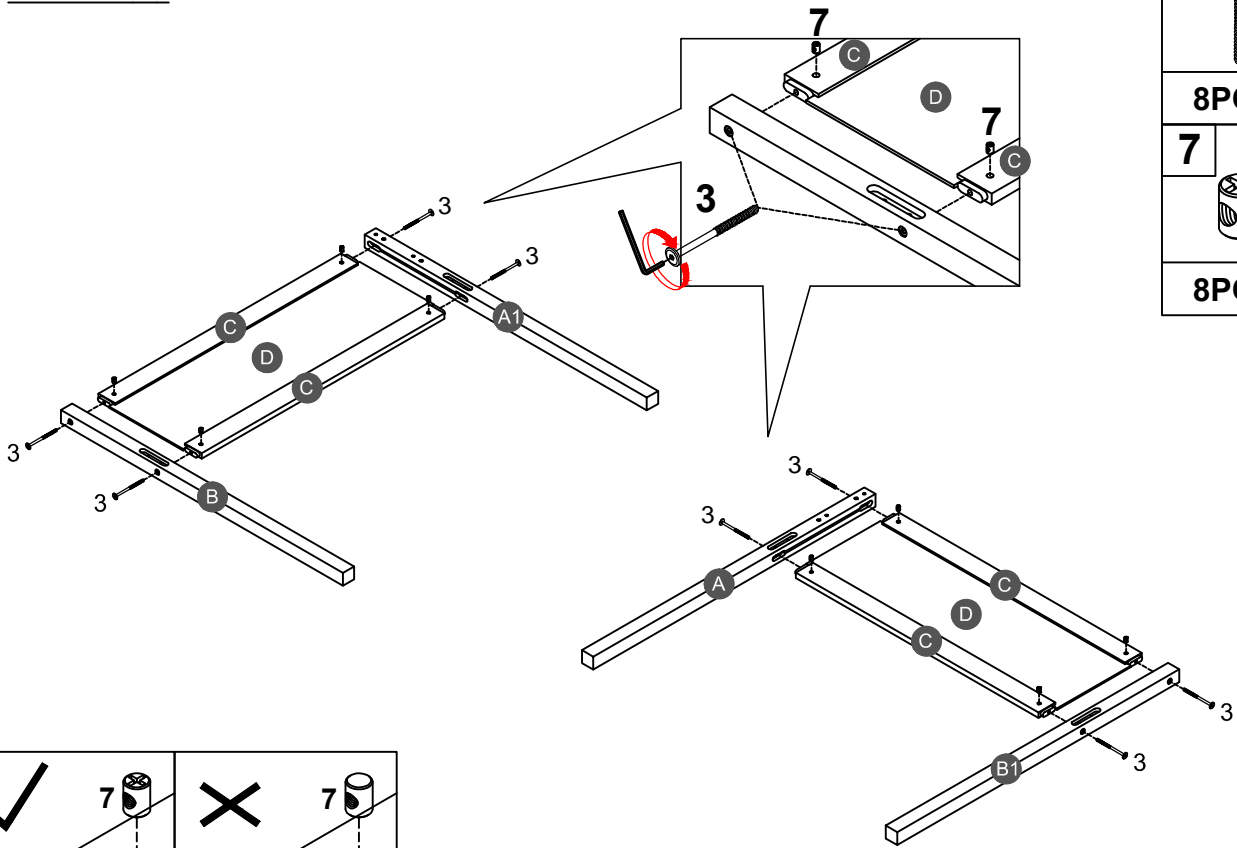
PLEASE BE CAREFUL DO NOT DAMAGE THE HOLE POSITION WHEN YOU USE POWER TOOLS !



STEP 1:

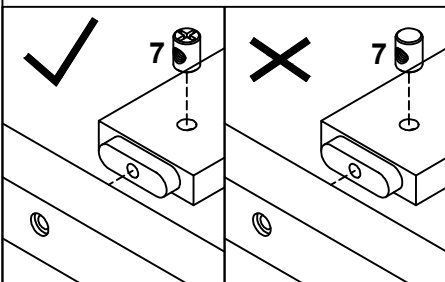


2pcs

STEP 2:

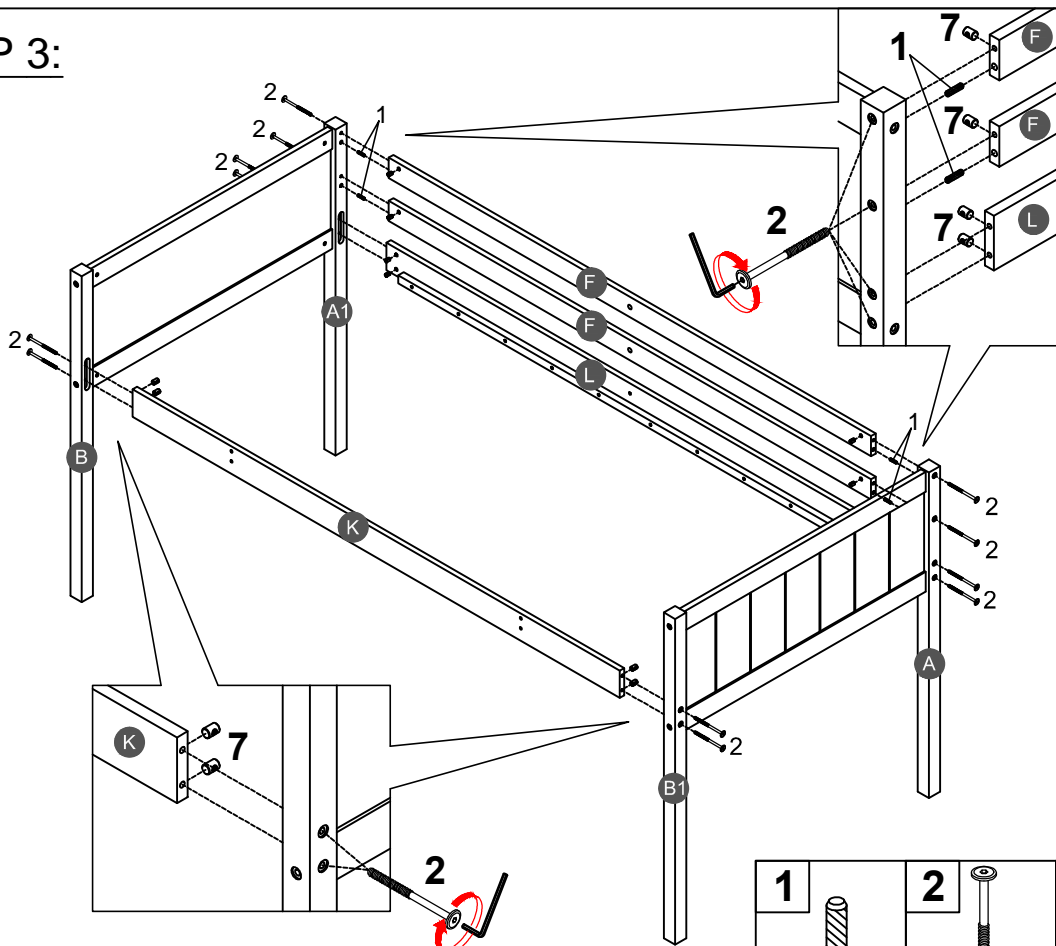





- 3** 
- 8PCS**
- 7** 
- 8PCS**



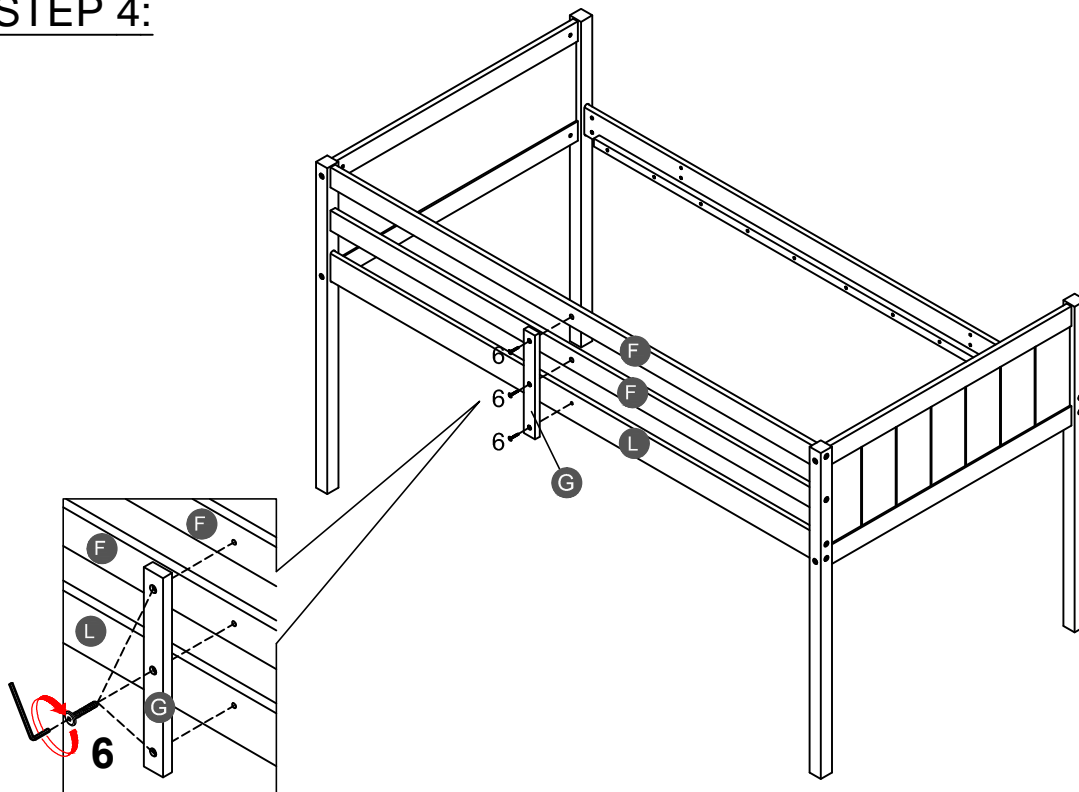
Note: Part 7 will face up with the "x" mark on it, otherwise it cannot be tightened


STEP 3:






1	2	7
		
4PCS	12PCS	12PCS

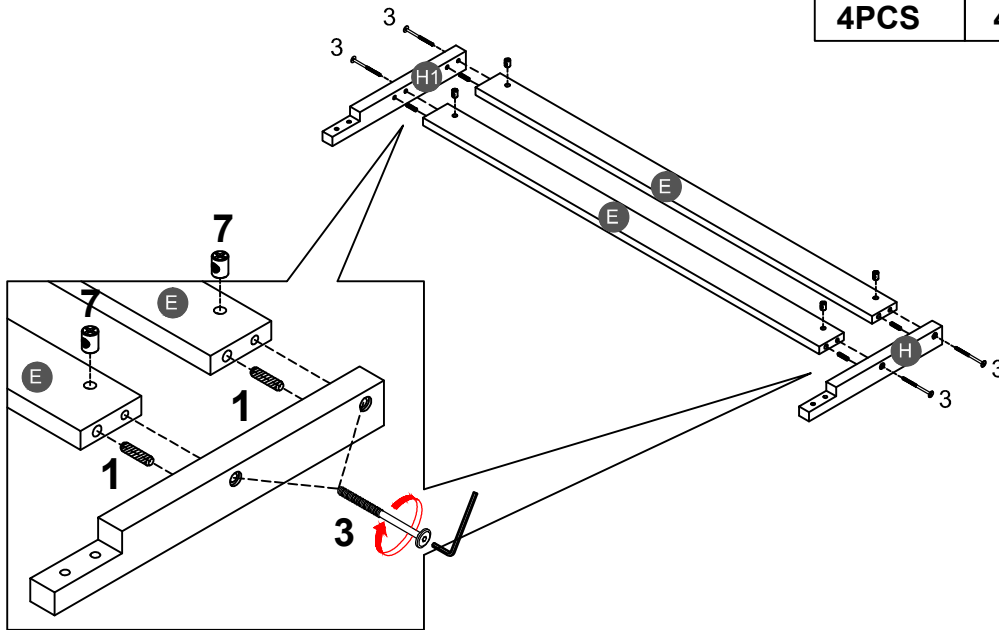
STEP 4:



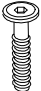
6	
3PCS	

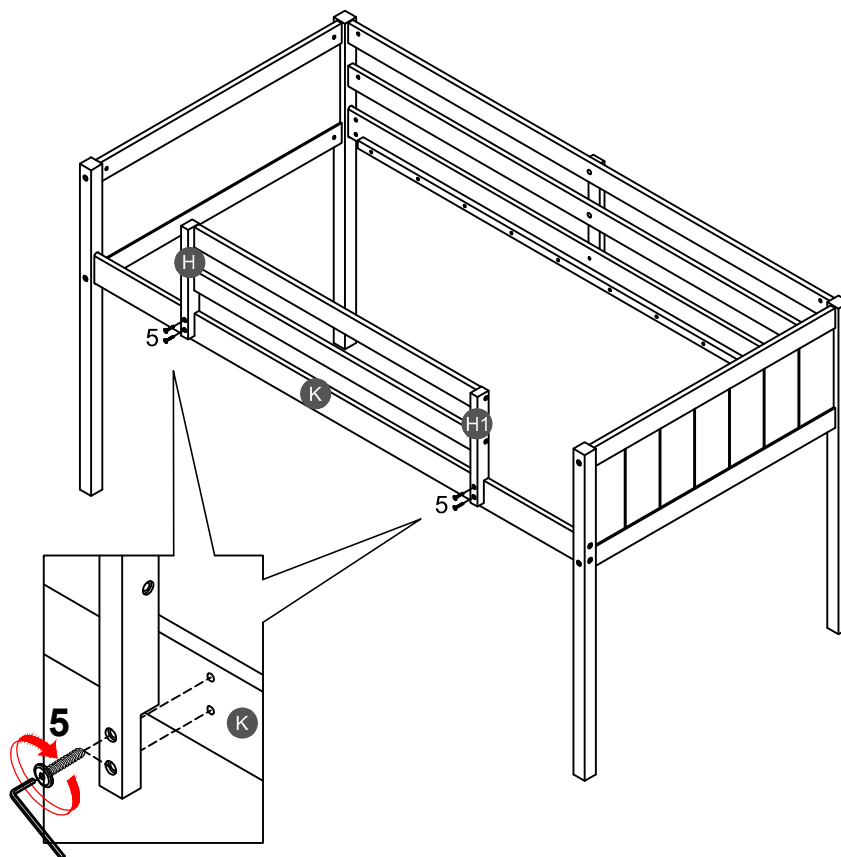
STEP 5:

1 	3 	7 
4PCS	4PCS	4PCS




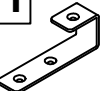


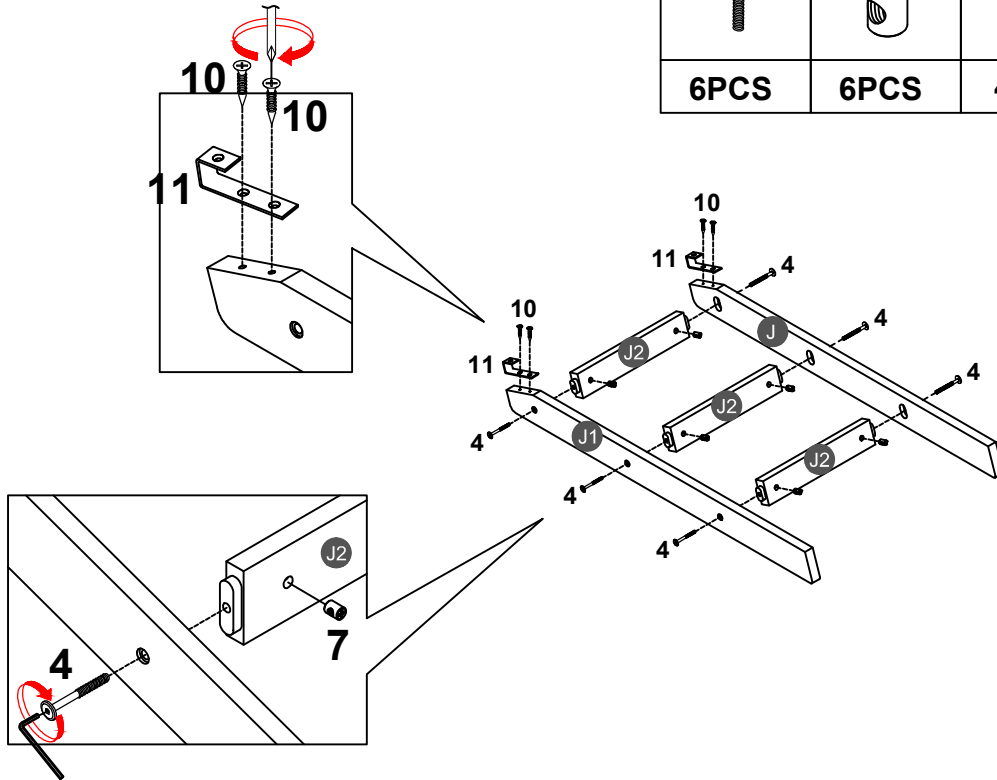
STEP 6:

5 
4PCS





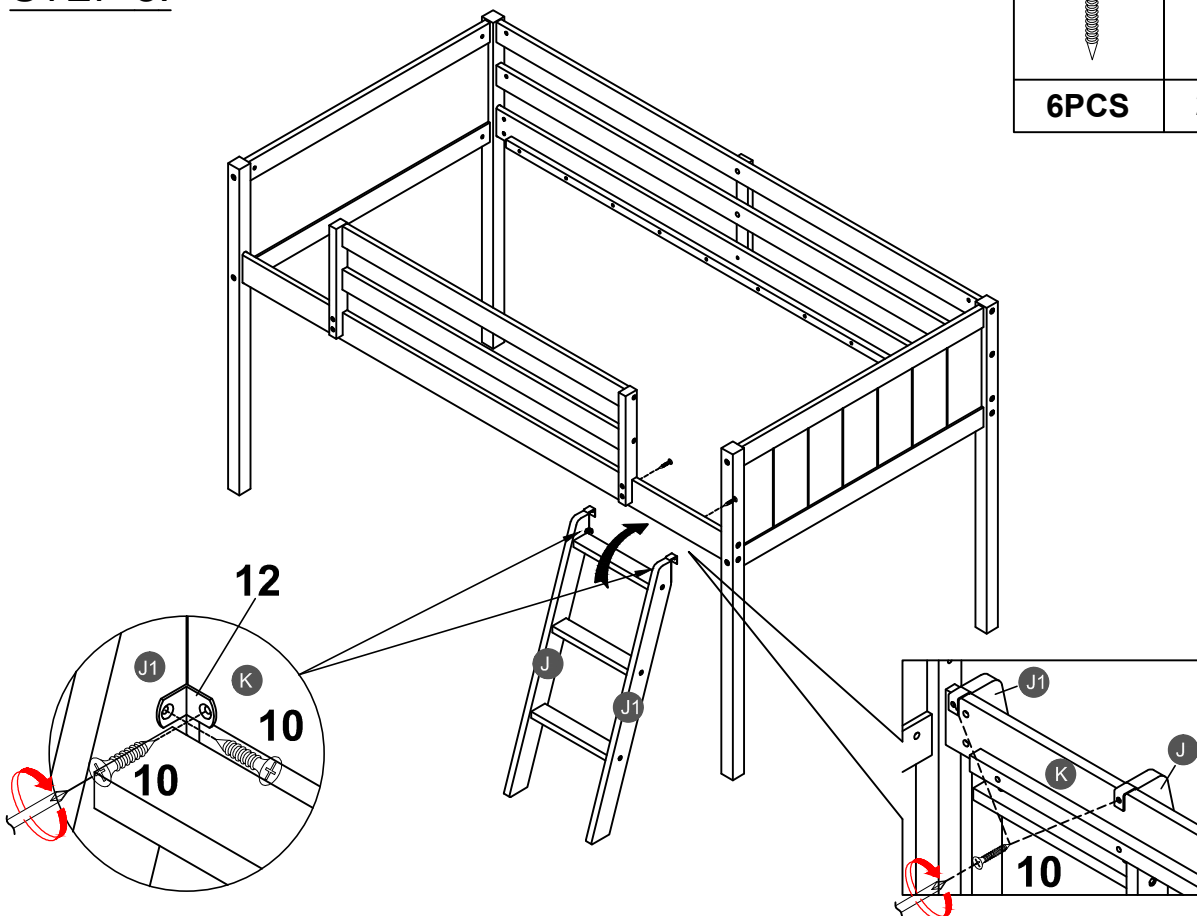
STEP 7:

4		7		10		11	
6PCS		6PCS		4PCS		2PCS	



STEP 8:

10		12	
6PCS		2PCS	

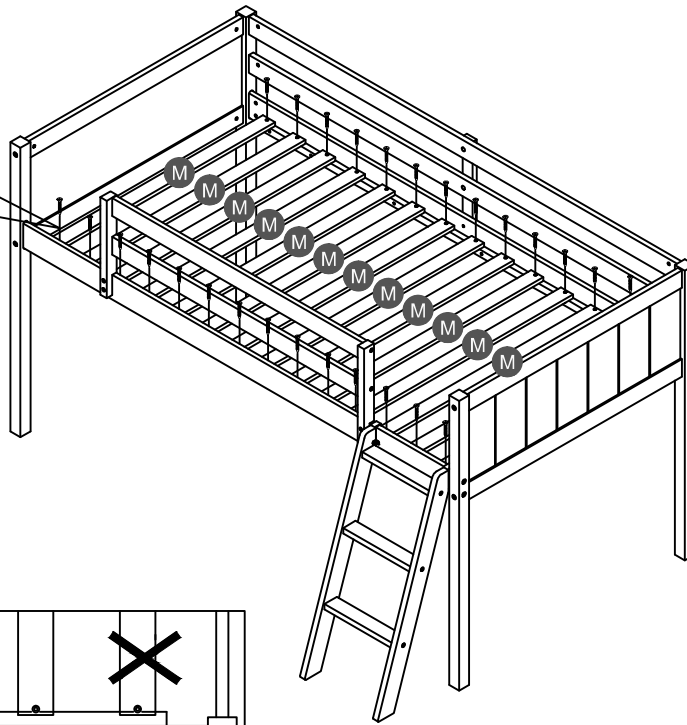
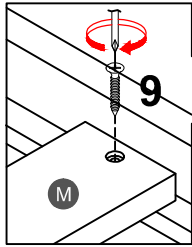


STEP 9:

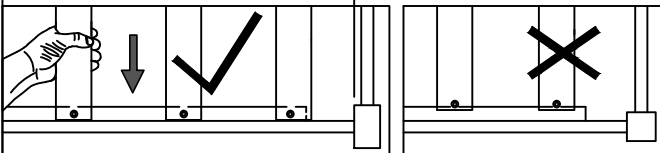
9



28PCS



(3.1") 79mm (3.3") 84.5mm (2.4") 61mm



NOTE: Please make sure the bed slats close to the side rail before locking the screws to avoid breakage. This step is required for both the left and right sides. Moreover, please do not lock the screws of the bed slats at the outermost edge to avoid damaging.

