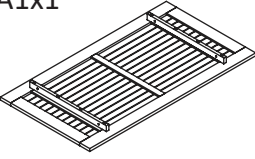
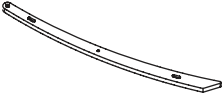
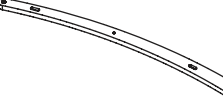
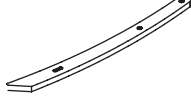
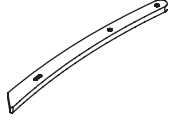
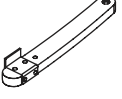
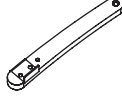
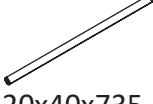



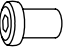

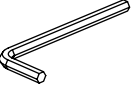
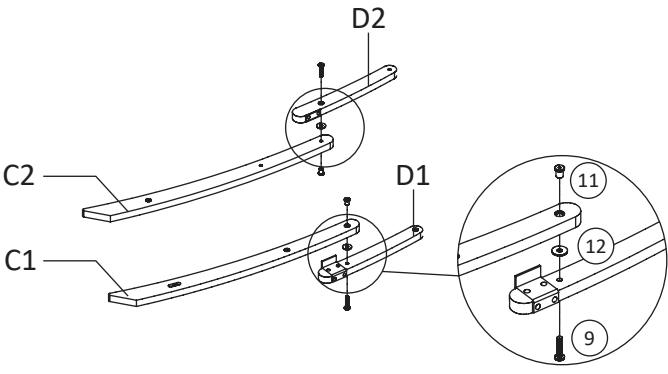
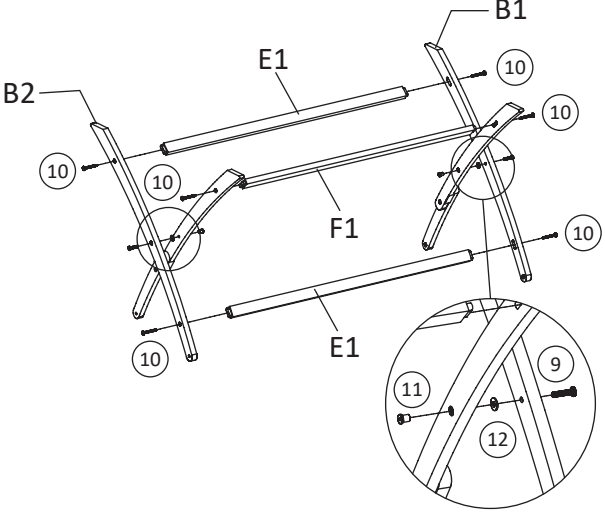
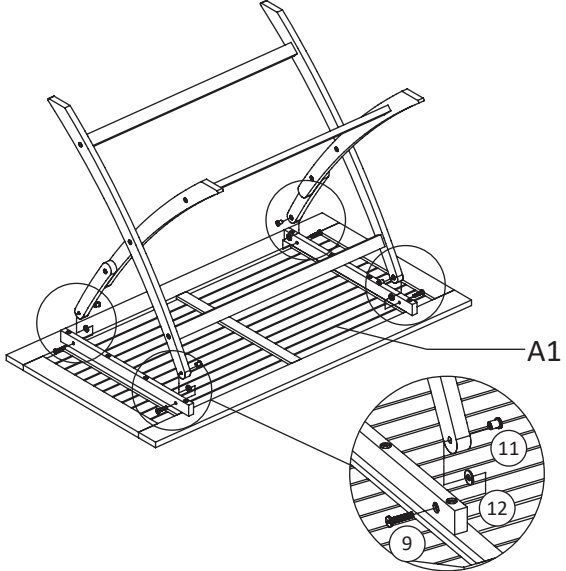


<p>A1x1</p> 	<p>B1x1</p> 	<p>B2x1</p> 	<p>C1x1</p> 	<p>C2x1</p> 
<p>D1x1</p> 	<p>D2x1</p> 	<p>E1x2</p>  <p>20x40x735 0.8x1.6x28.9</p>	<p>F1x1</p>  <p>20x40x695 0.8x1.6x27.4</p>	<p>9 x8</p>  <p>Φ8x30 Φ0.3x1.2</p>
<p>10 x6</p>  <p>Φ6x60 Φ0.2x2.4</p>	<p>11 x8</p>  <p>Φ8x15 Φ0.3x0.6</p>	<p>12 x8</p>  <p>Φ8/20x2 Φ0.3/0.8x0.08</p>	<p>13 x2</p> 	
<p>1</p> 	<p>2</p> 			
<p>3</p> 	<p>4</p> 