

NOTICE

- * Please make sure that you have all parts indicated and they are in good condition before you begin assembly of this item. Refer to part list and hardware list below for guidance.
- * This item should be assembled on a soft surface to prevent scratching the finish during assembly.
- * This item may require periodic tightening.
- * If you are having difficulty, our friendly Customer Care team is always here to help. Please email customersupport@safavieh.com




PREPARATION

- * Before beginning assembly of product, make sure all parts are present. Compare parts with part contents list and hardware contents list.
- * If any part is missing or damaged, do not attempt to assemble the product.
- * Estimated Assembly Time: 10 minutes.
- * Tools Required for Assembly (Included): Allen Key

CARE AND MAINTENANCE

Adhesive felt pads should always be applied to areas of furniture which make direct contact with flooring, said application will prevent damage to the furniture and or surfaces on which the furniture lies. Objects placed on articles of furniture should rest on non abrasive material as to prevent damage to the wood finish. Objects whose composition consists of plastic and rubber are known to discolor and damage the wood surfaces on which they rest. Wipe up spills immediately and avoid common hazards such as hot dishes, harsh solvents and abrasives. Cleaning should be done with a soft lint free cotton cloth dampened with water or furniture polish. On highly used surfaces we recommend applying a quality paste wax which should be used on a regular basis to provide additional protection from scratches and spills. How often you apply the wax depends on how much wear the furniture receives.

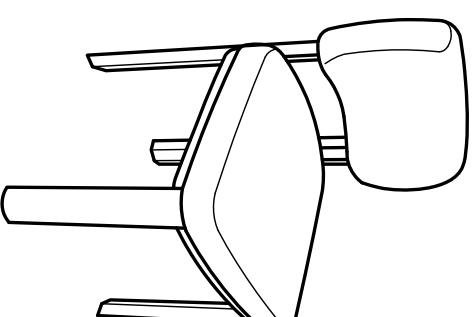
Part List and Hardware List

PIECE	DESCRIPTION	PICTURE	QUANTITY
A	Chair Back		1X
B	Seat		1X
C	Leg		2X

**SAFAVIEH**
FURNITURE

Model# DCH3805

Product Dimension: 19"W x 21"D x 31"H

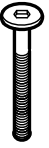



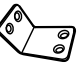



WARNING

Weight capacity : 275 LBS

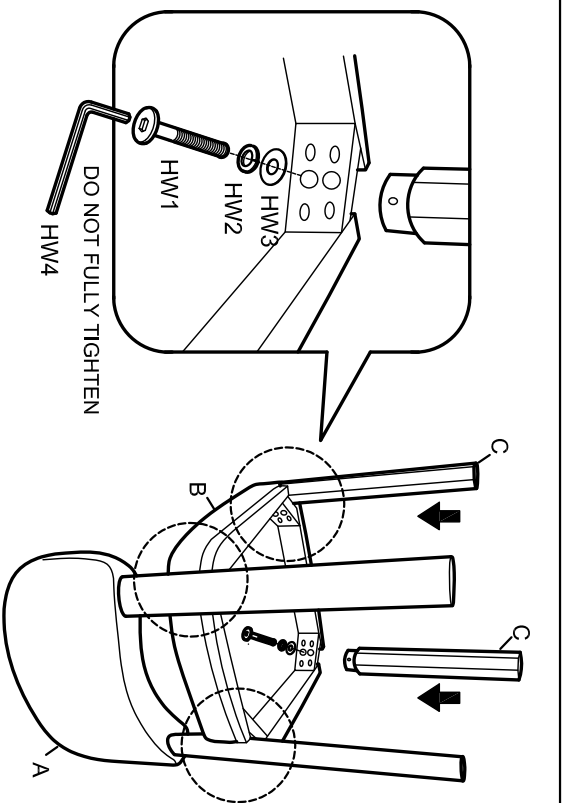
WARNING : DO NOT STAND ON THE CHAIR

WARNING : DO NOT OVER TORQUE BOLTS

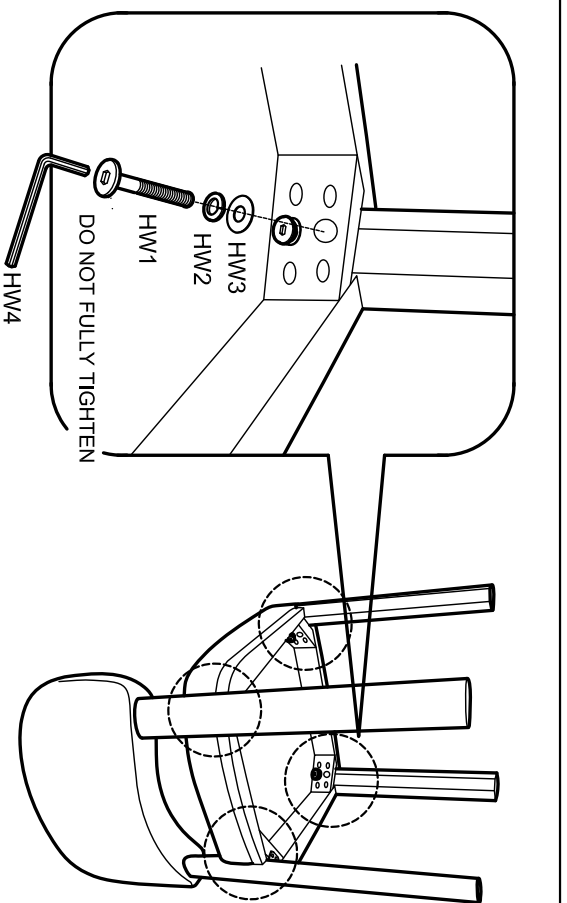
HW1	Bolt 6 x 0.5 x 50MM		8X
HW2	Split Lock Washer 1/4"		8X
HW3	Split Washer 1/4"		8X
HW4	Allen Key 4 x 60MM		1X
HW5	L - Bracket		2X
HW6	Chipboard Screw 3.5 x 16MM		8X

PREPARATION

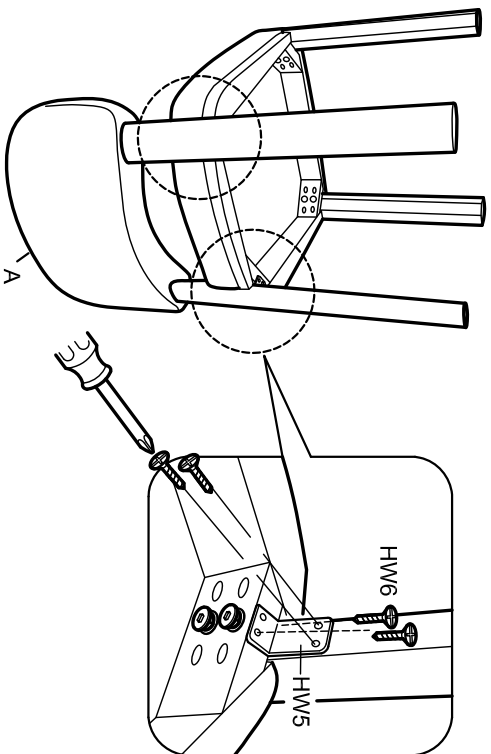
- * Before beginning assembly of product, make sure all parts are present. Compare parts with part contents list and hardware contents list.
- * If any part is missing or damaged, do not attempt to assemble the product.
- * Estimated Assembly Time: 10 minutes.
- * Tools Required for Assembly (included) : Allen Key
- * If you are having difficulty, our friendly Customer care team is always here to help. Please email customersupport@safavieh.com



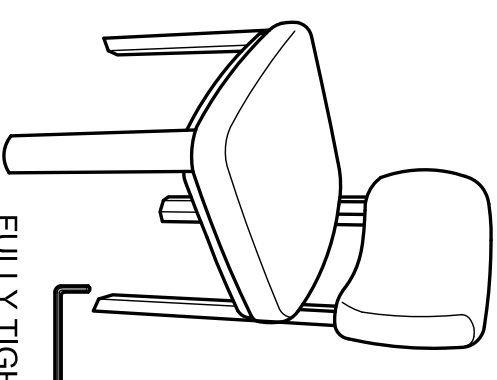
STEP 1: ATTACH THE CHAIR BACK AND LEG TO SEAT WITH SCREW AS SHOWN BY USING ALLEN KEY. DO NOT TIGHTENING COMPLETELY AT THIS TIME.



STEP 2: SCREW THE OTHER BOLTS INTO THE OTHER DESIGNATED HOLE AND USE ALLEN KEY. DO NOT TIGHTENING COMPLETELY AT THIS TIME.



STEP 3: ATTACH THE L - BRACKET AND SCREW AS SHOWN BY USING PHILLIPS SCREWDRIVER,(NOT PROVIDED),



FULLY TIGHTEN ALL BOLTS

STEP 4: PUT THE CHAIR UPRIGHT AND MAKE SURE ALL LEGS ARE LEVEL, THEN FIRMLY TIGHTEN BOLTS WITH ALLEN KEY WHILE THE CHAIR IS UPRIGHT AS PICTURED ABOVE.