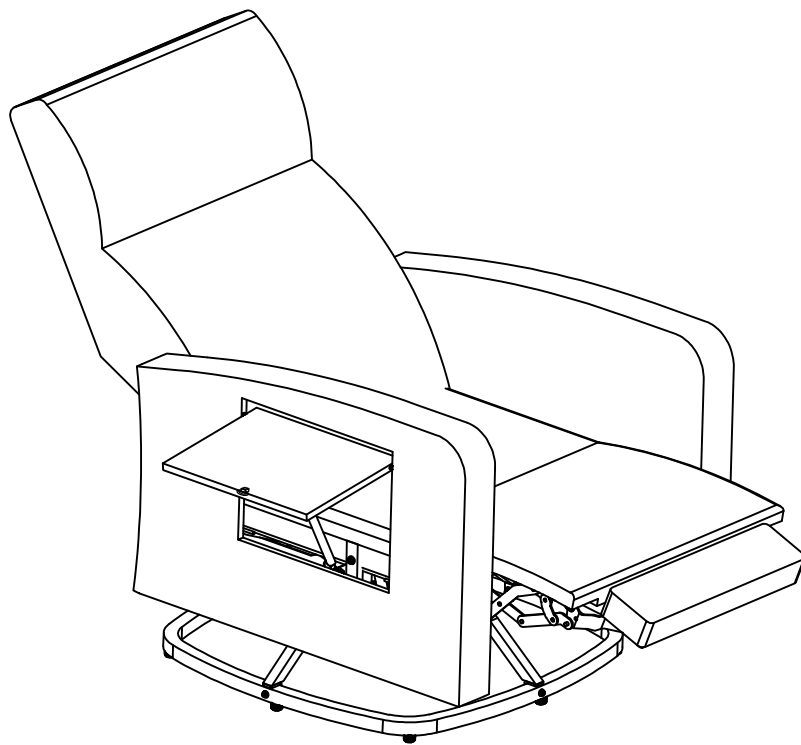


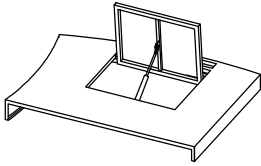
PATIO RECLINER CHAIR

ASSEMBLY INSTRUCTION

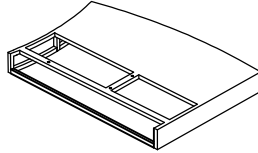


Assembly Instruction

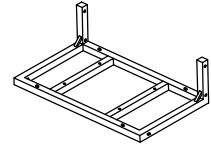
Parts List

A

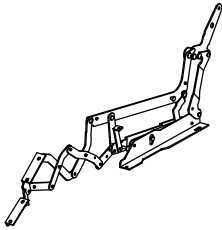
1PC

B

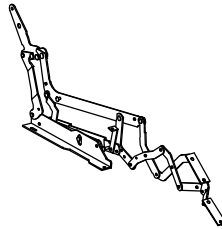
1PC

C

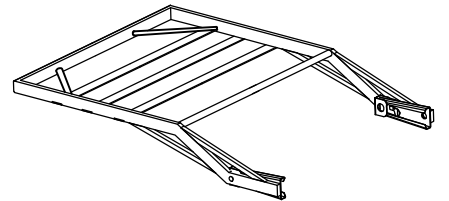
1PC

D

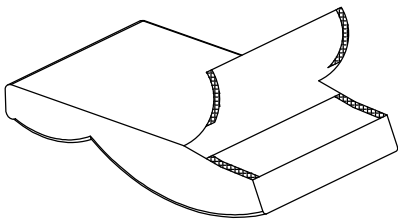
1PC

E

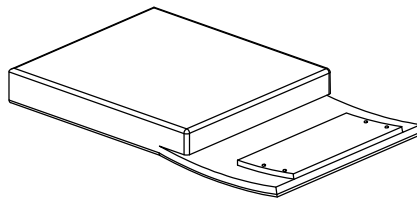
1PC

F

1PC

G

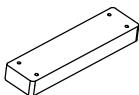
1PC

H

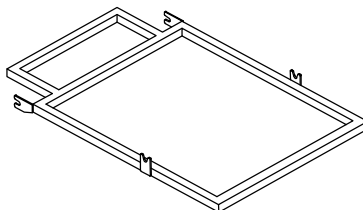
1PC

I

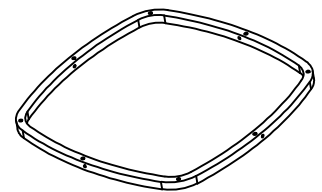
1PC

J

1PC

K

1PC

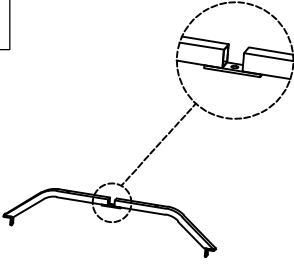
L

1PC

Assembly Instruction

Parts List

M



1PC

N



1PC

O



1PC


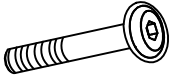
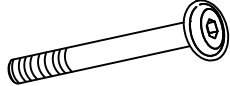

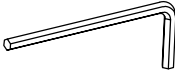

P



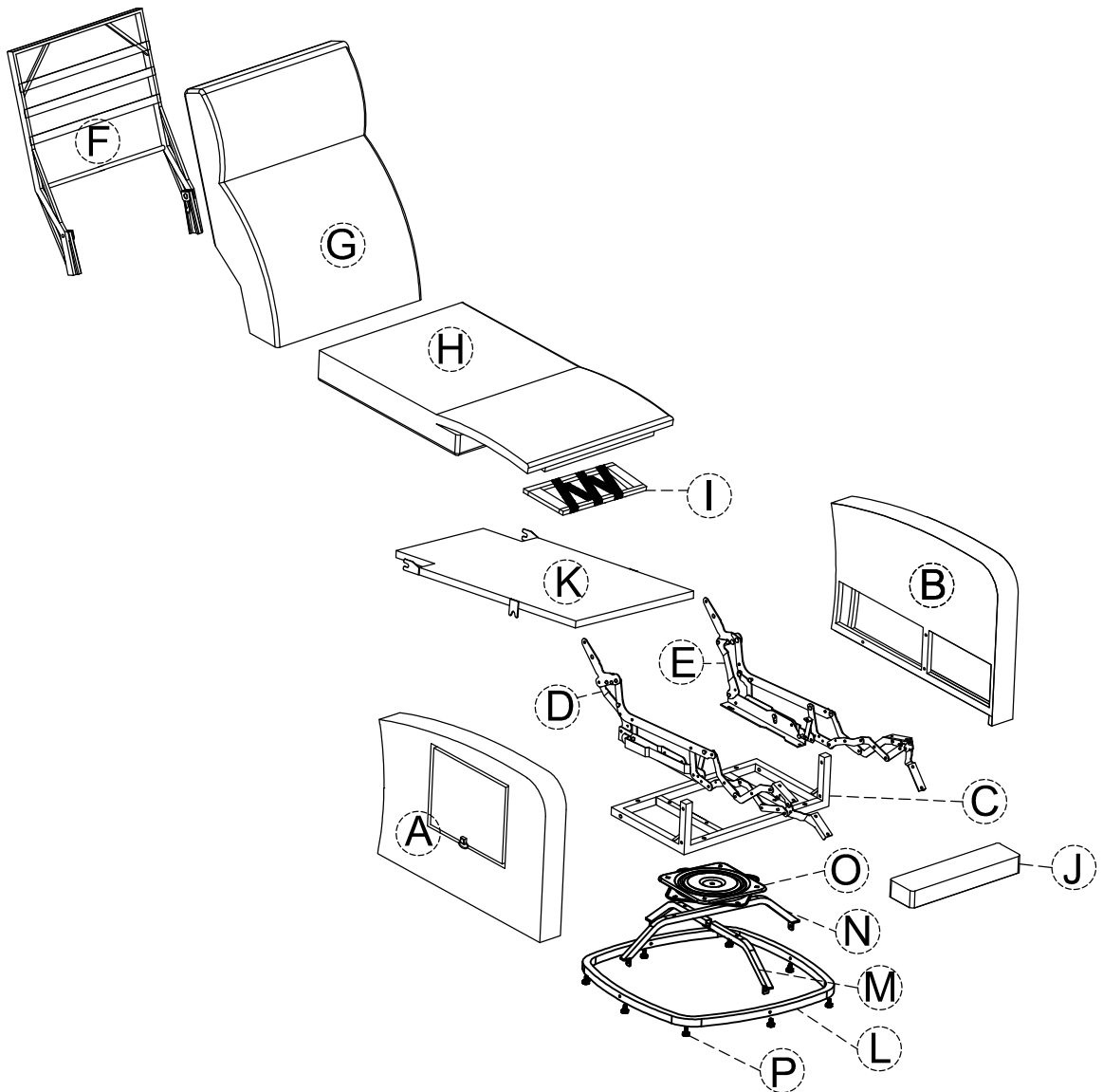
8PCS

Assembly Instruction

Parts List

Q	 M6*15mm 9PCS	 M6*35mm 16PCS	 M6*50mm 6PCS
T	 M6mm 22PCS	 Allen Key(M6mm) 1PC	 Wrench(M6) 1PC

Assembly Instruction

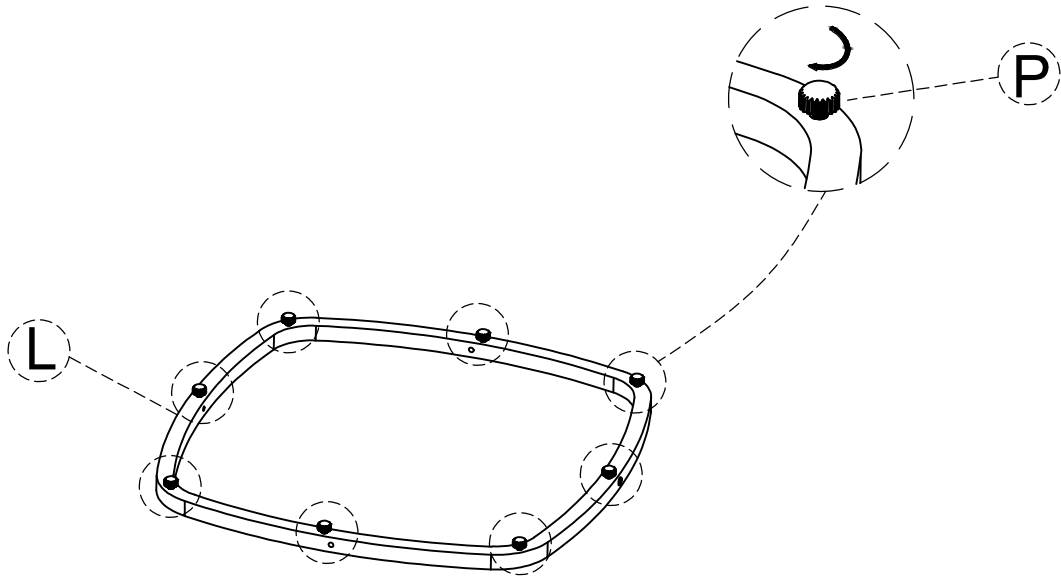


Assembly Instruction

STEP1

L*1

P*8



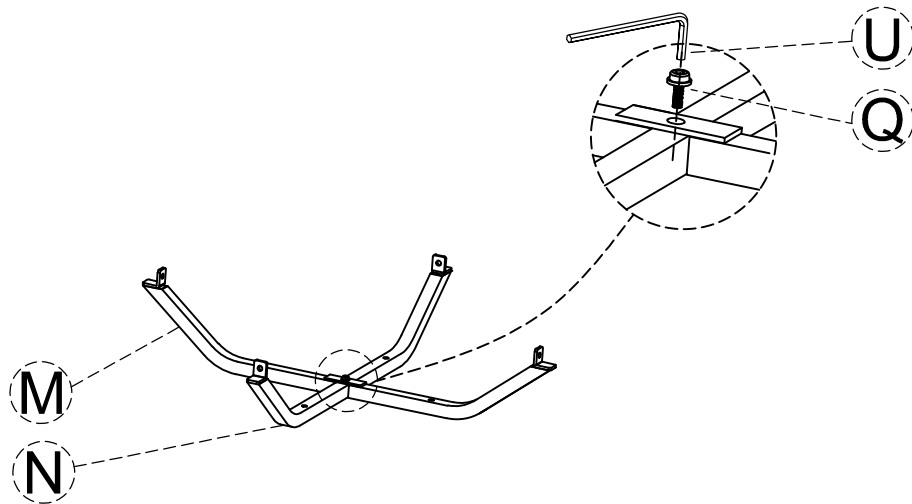
STEP2

M*1

N*1

Q*1

U*1



Assembly Instruction

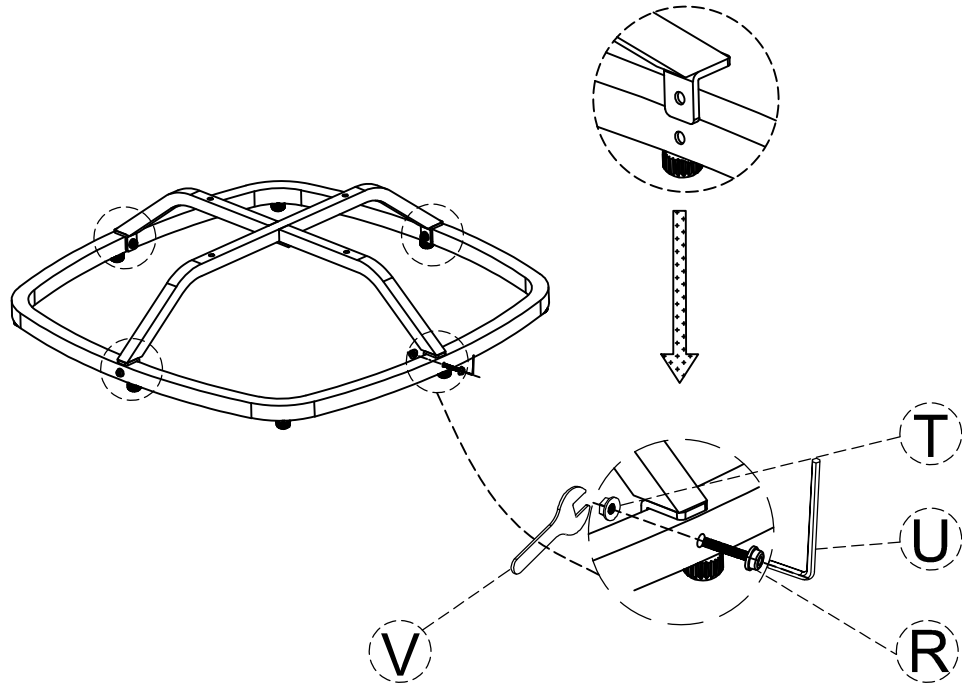
STEP3

R*4

T*4

U*1

V*1



STEP4

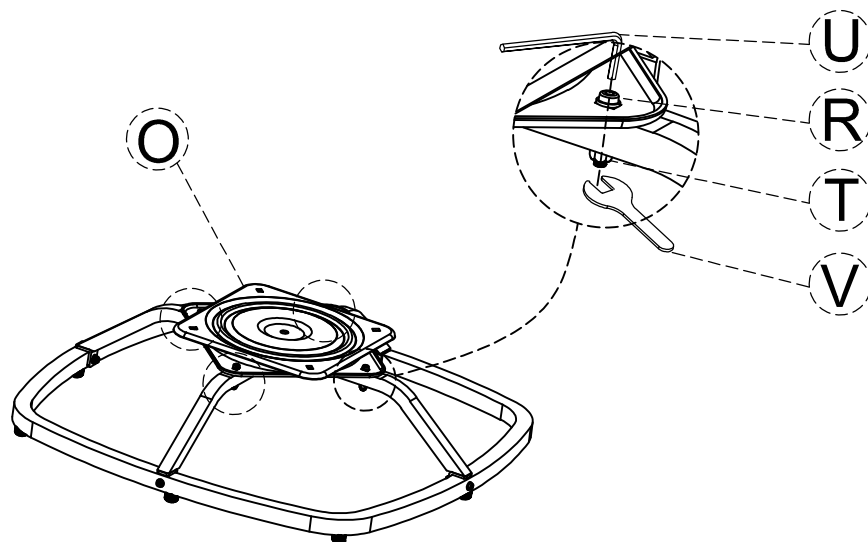
O*1

R*4

T*4

U*1

V*1



1. Please rotate the turntable to the appropriate position before installation
2. Please note that part Q has the screw side facing downwards

Assembly Instruction

STEP5

A*1

B*1

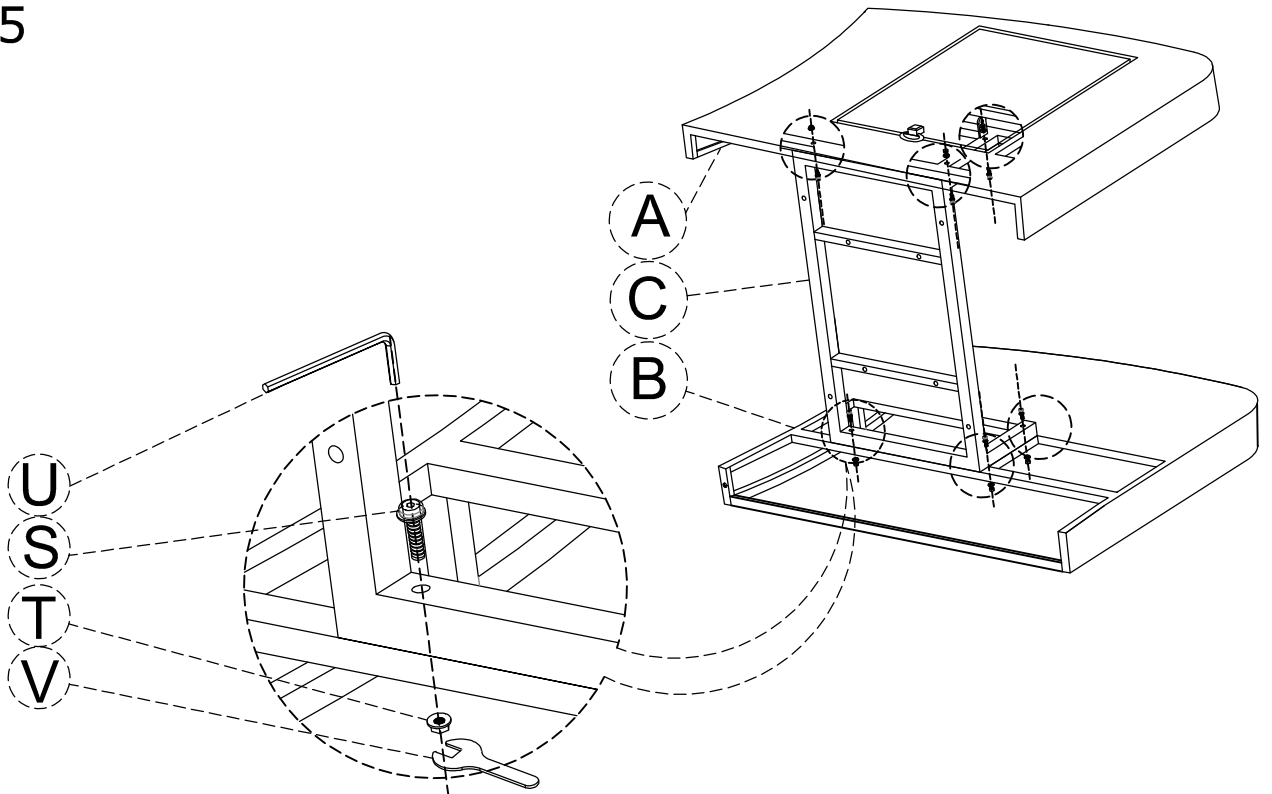
C*1

S*6

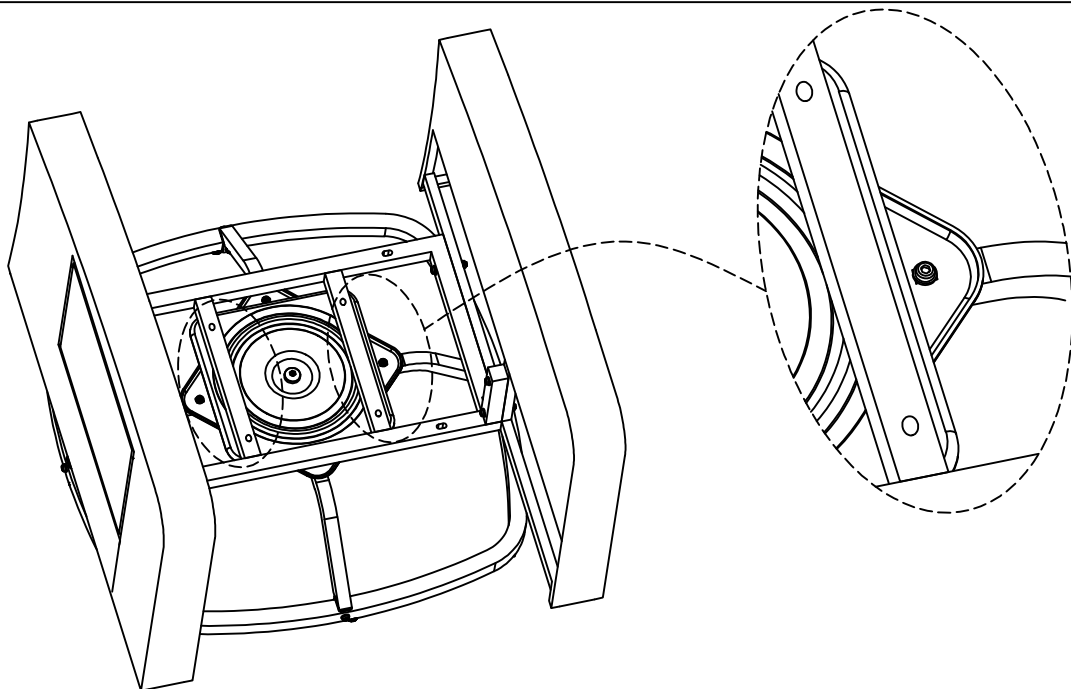
T*6

U*1

V*1



STEP6



1. Place the rack on the chassis
2. Rotate it to the appropriate position before proceeding to the next installation step

Assembly Instruction

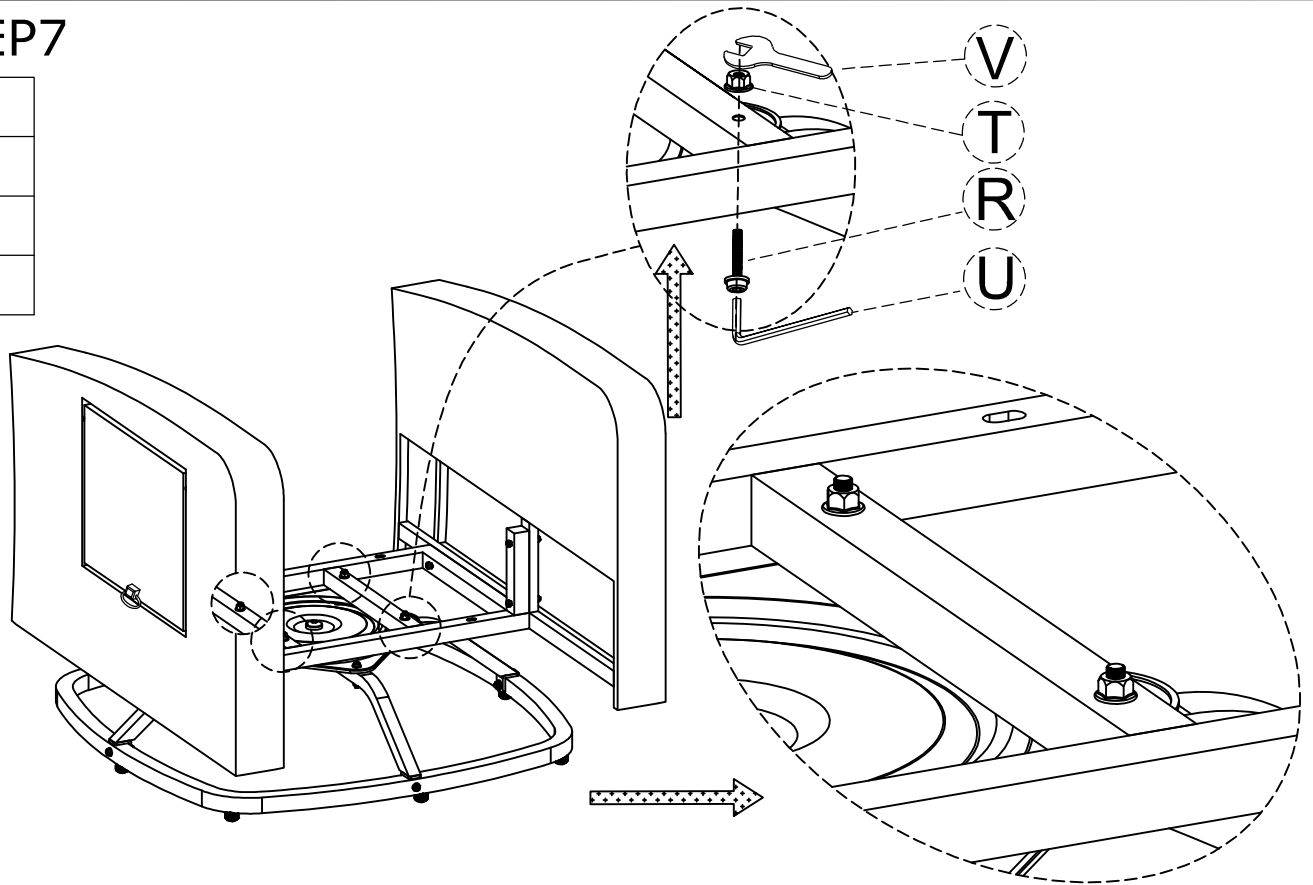
STEP7

R*4

T*4

U*1

V*1



STEP8

D*1

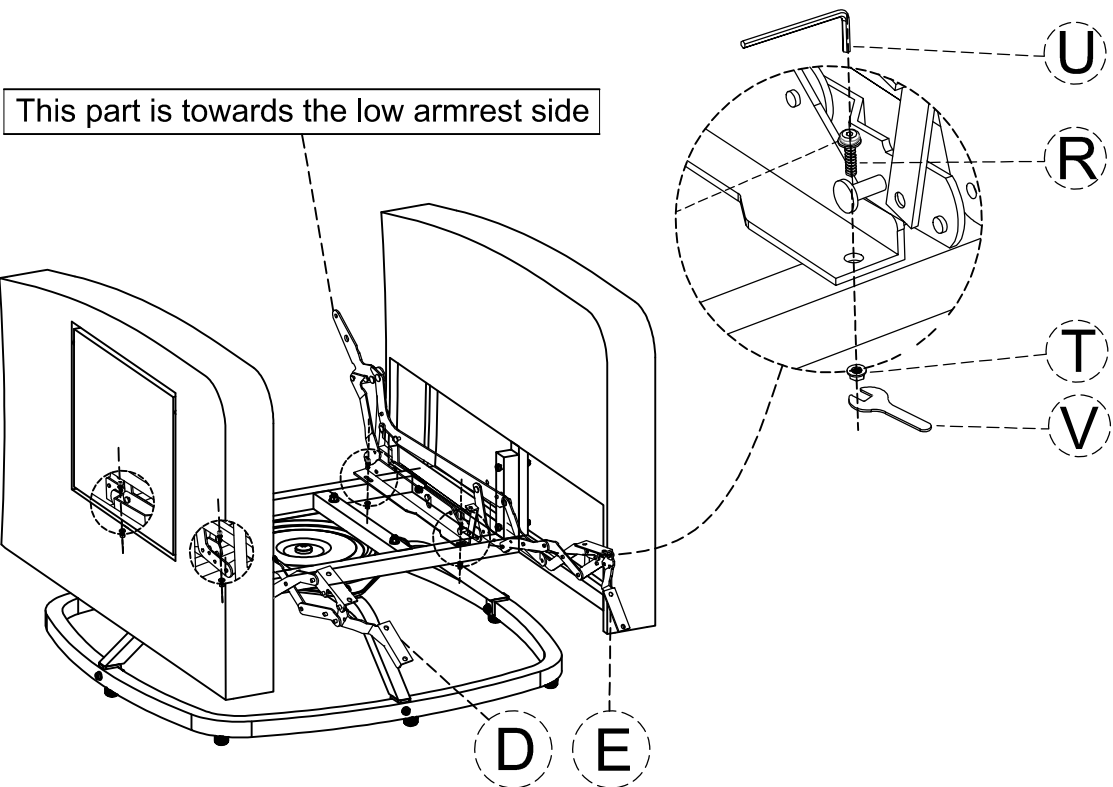
E*1

R*4

T*4

U*1

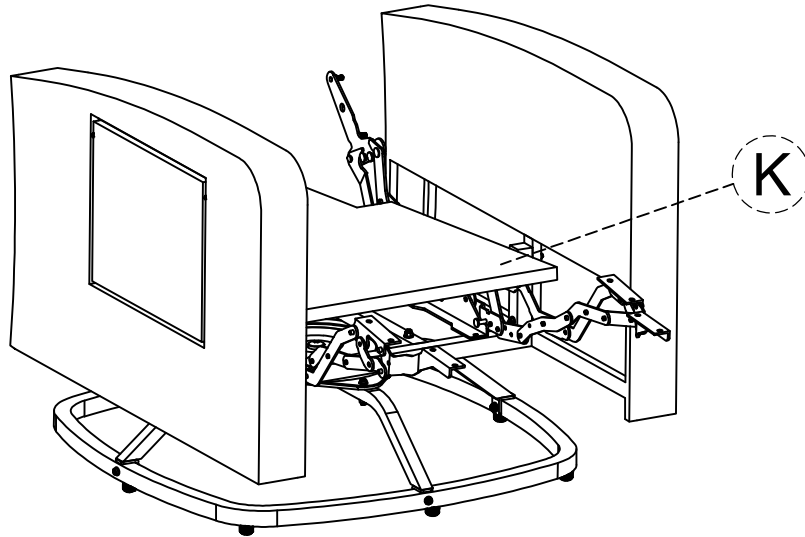
V*1



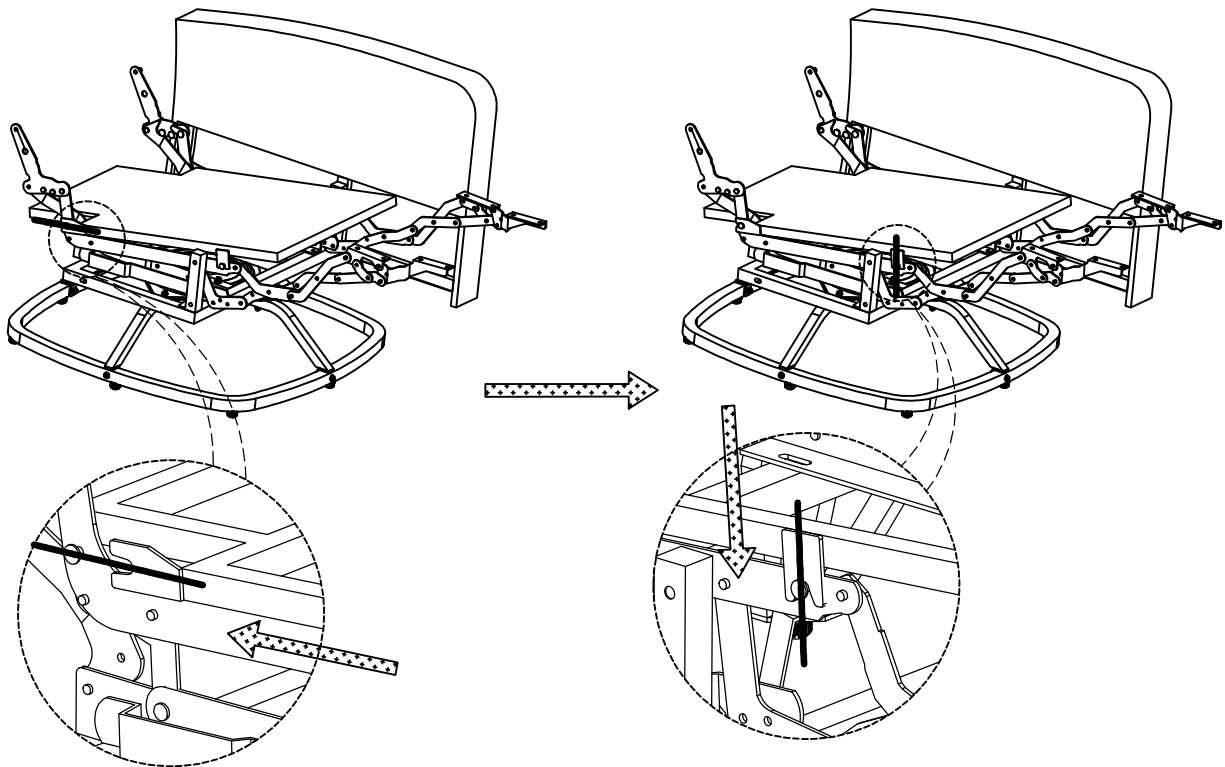
Assembly Instruction

STEP9

K*1



Assembly diagram breakdown
Slightly adjust part D/E, install of part K to
fit the both side of it

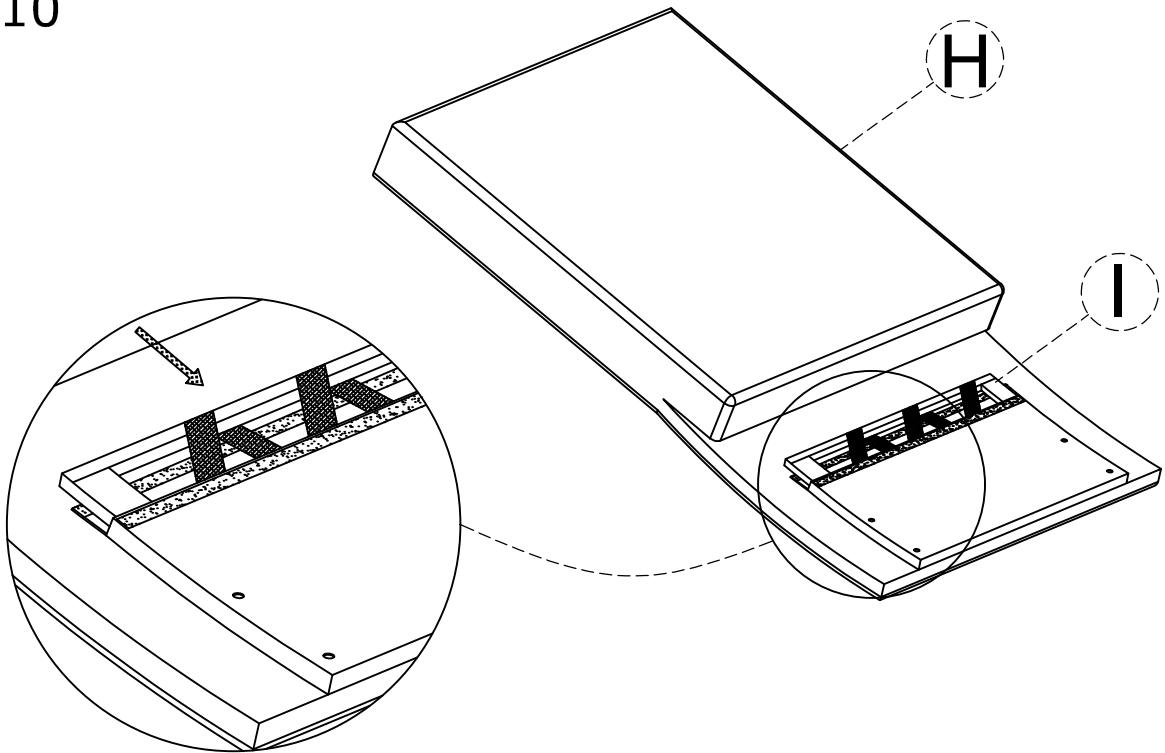


Assembly Instruction

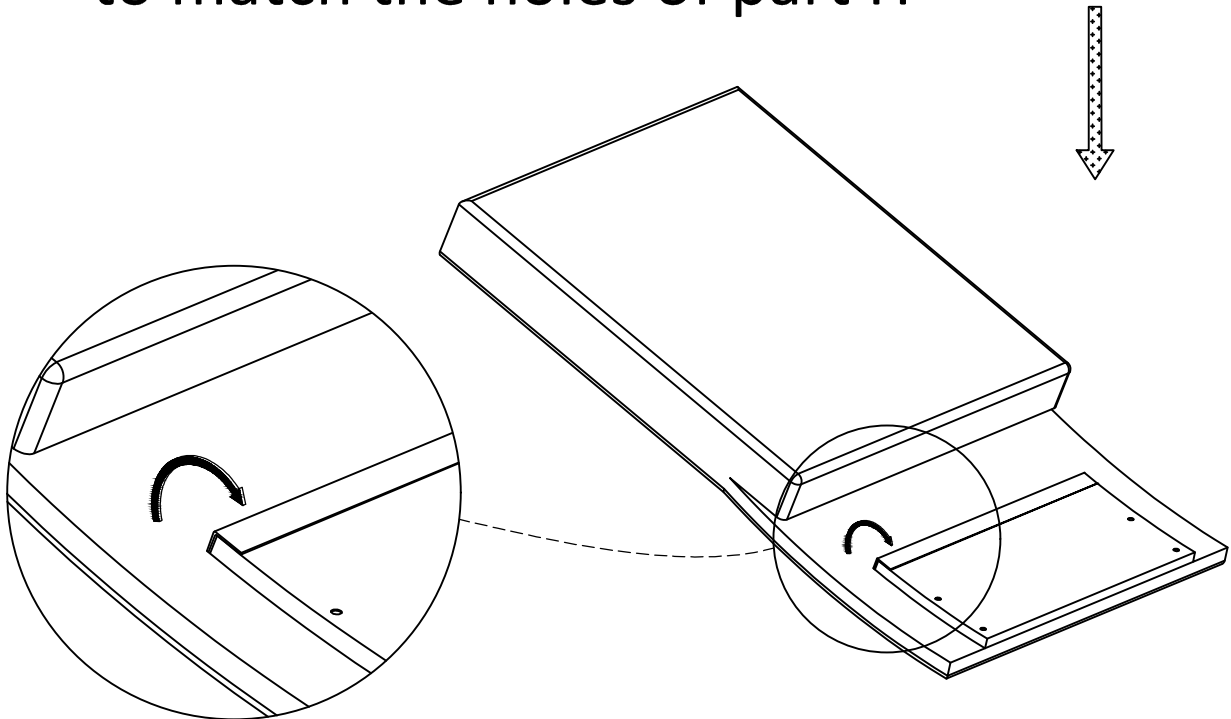
STEP 10

H*1

I*1



Part I is installed with the hole side up to match the holes of part H



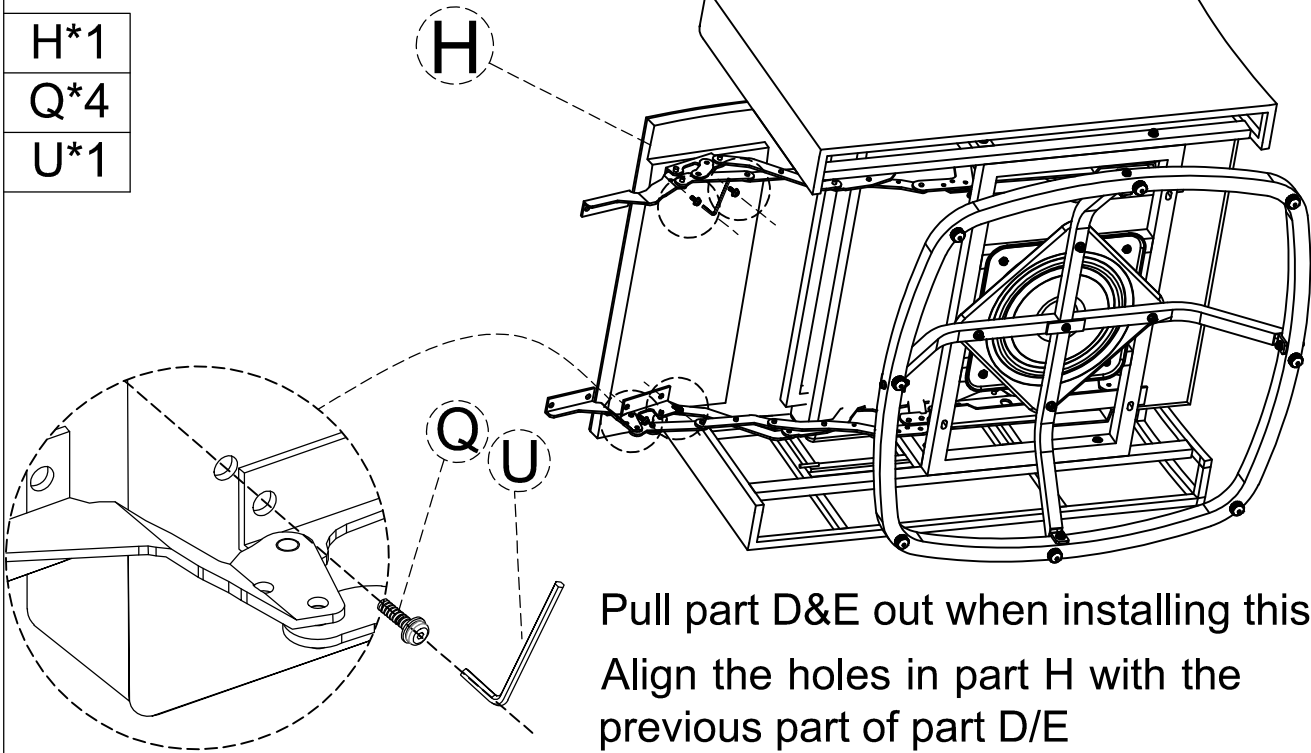
Assembly Instruction

STEP11

H*1

Q*4

U*1



Pull part D&E out when installing this step
Align the holes in part H with the
previous part of part D/E

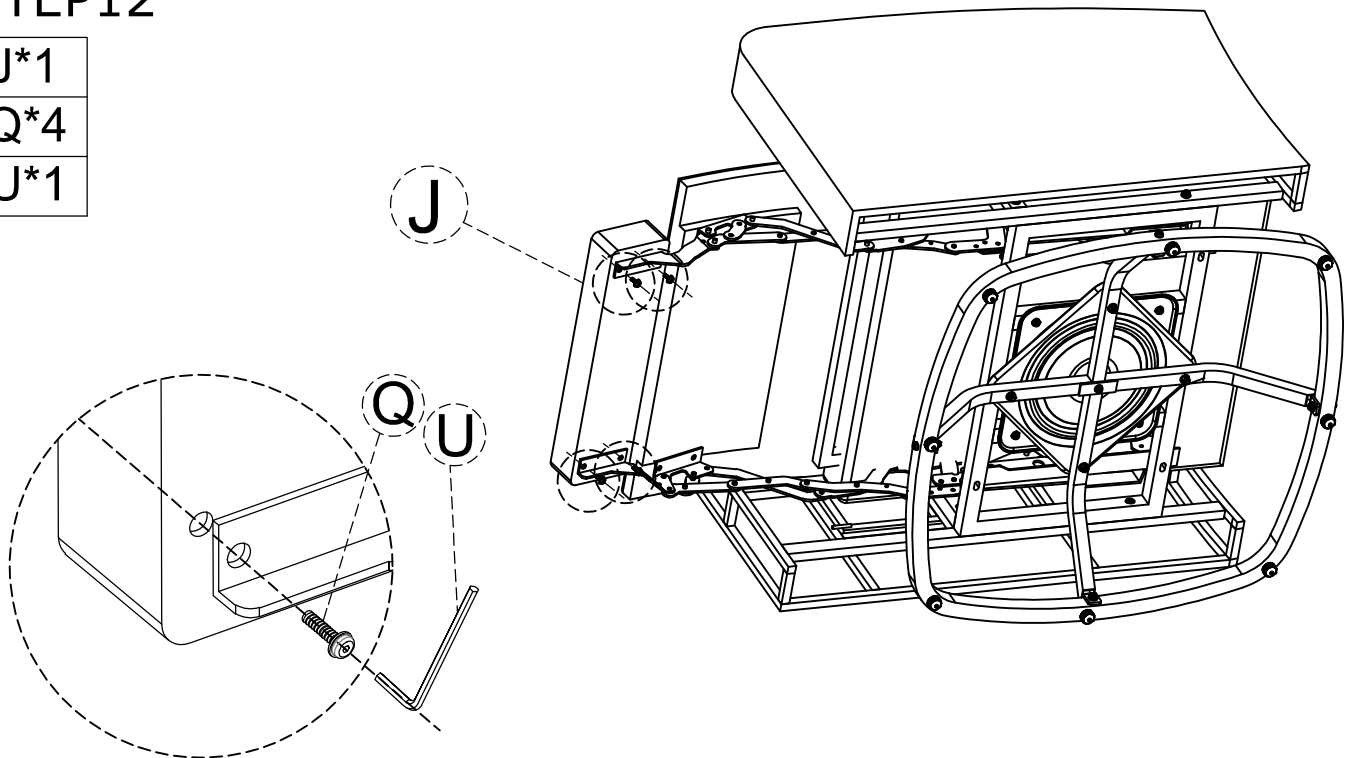
For this installation step, please tighten the screws to 100%

STEP12

J*1

Q*4

U*1



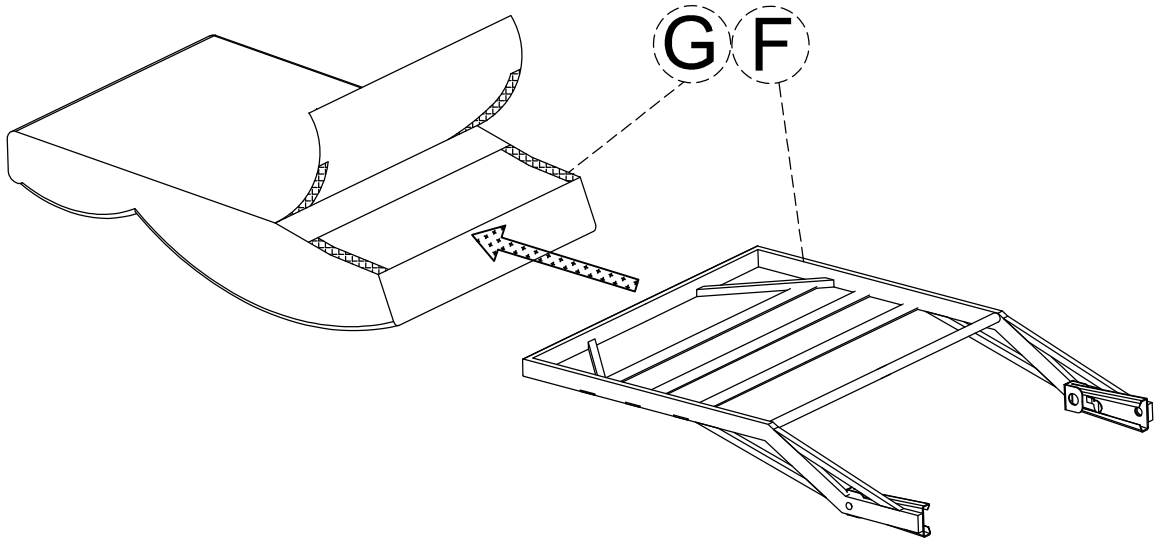
For this installation step, please tighten the screws to 100%

Assembly Instruction

STEP13

F*1

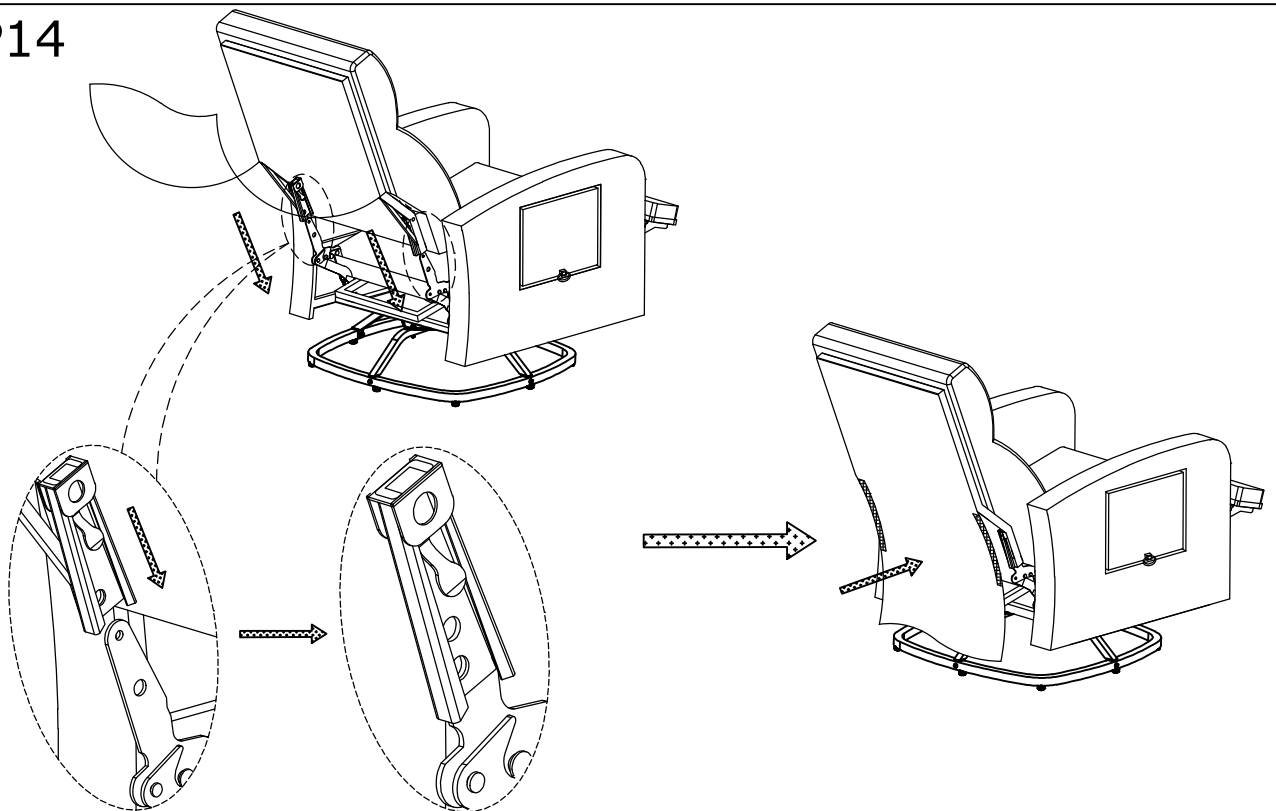
G*1



STEP14

F*1

G*1



Hear a clicking sound, the installation is complete

Assembly Instruction

STEP15

