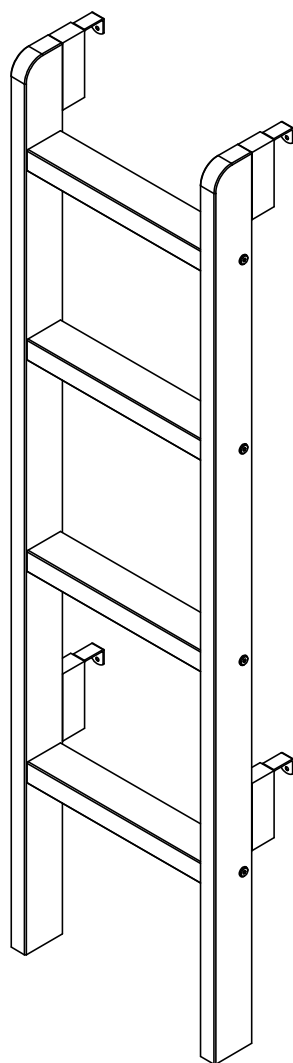


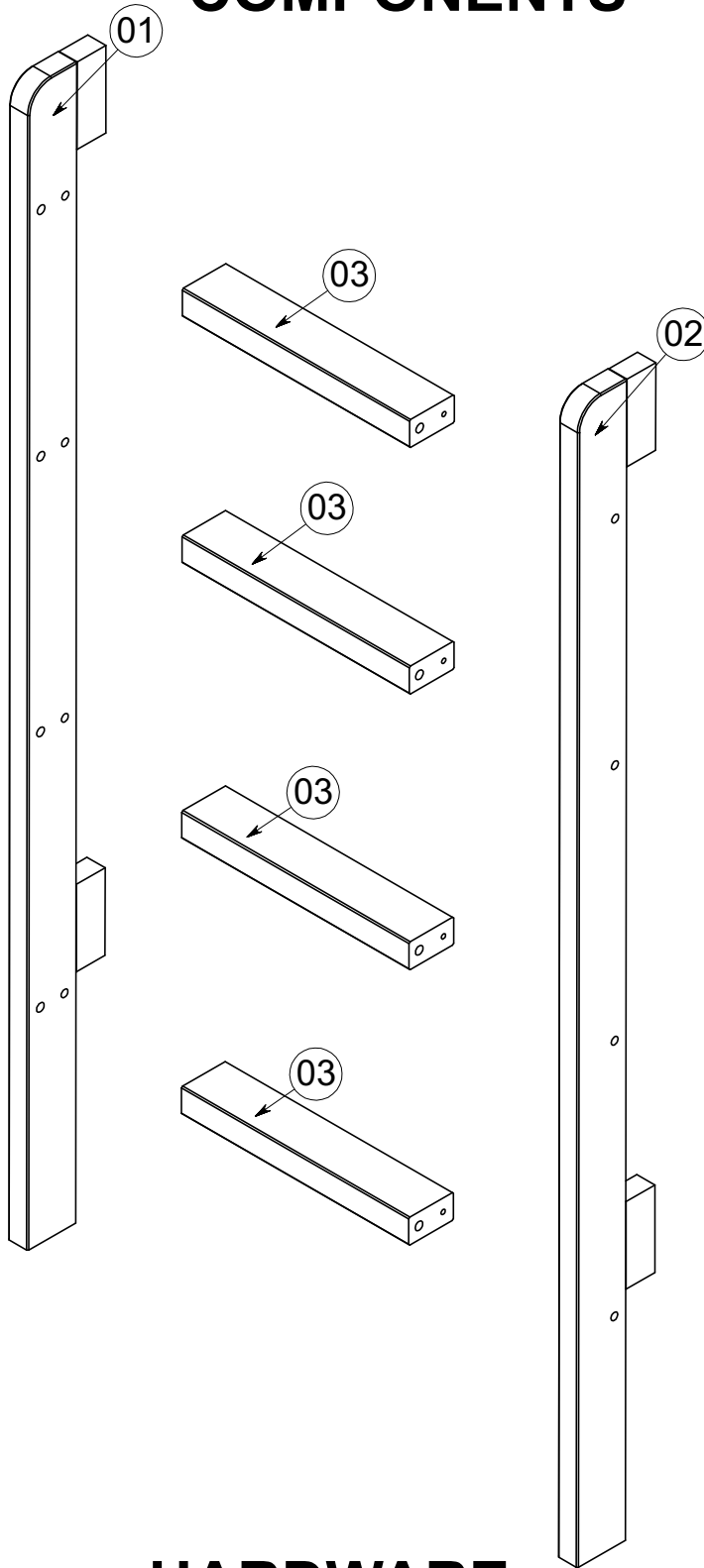
Thank you for purchasing. We hope you get years of enjoyment from your new bed. The unique brushing process highlights the woods natural grain. All our wood is planta on grown. No two pieces of wood are the same, enjoy the natural beauty of wood, every piece of wood has unique grain and color and knots, these differences in texture and color create the look only solid wood provides.

The success or failure of a product sold on the internet is a direct reflection of positive or negative reviews. We would be grateful if you could post a positive review and help this products success, thank you for your help.

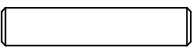


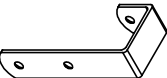
LADDER FOR BUNK BED



COMPONENTS

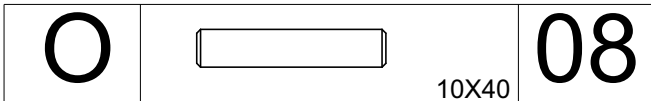
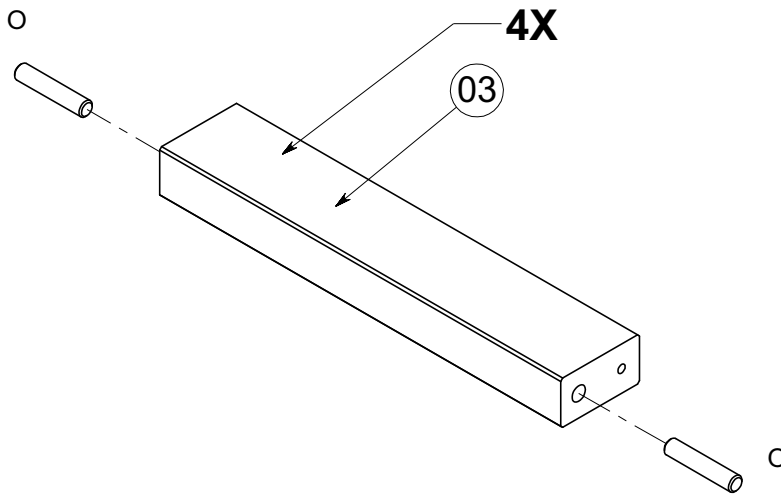


HARDWARE

O	 10X50	08
Q	 (17) 7X60	08
R	 CC 3,5X25	12
S		04

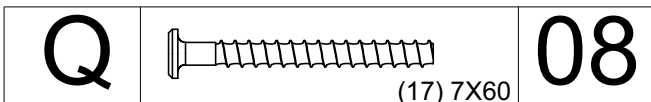
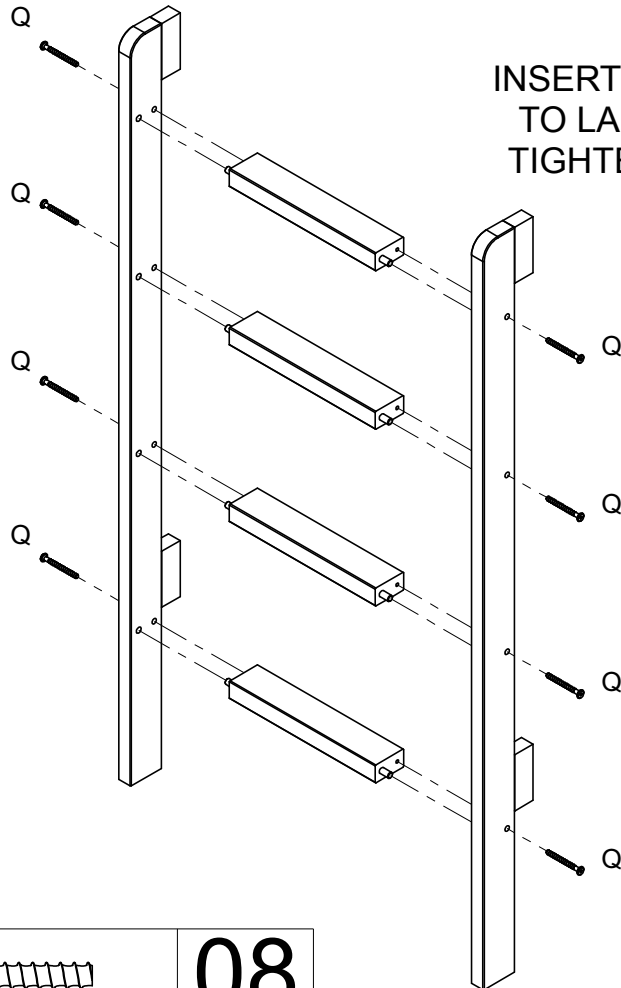
STEP 1

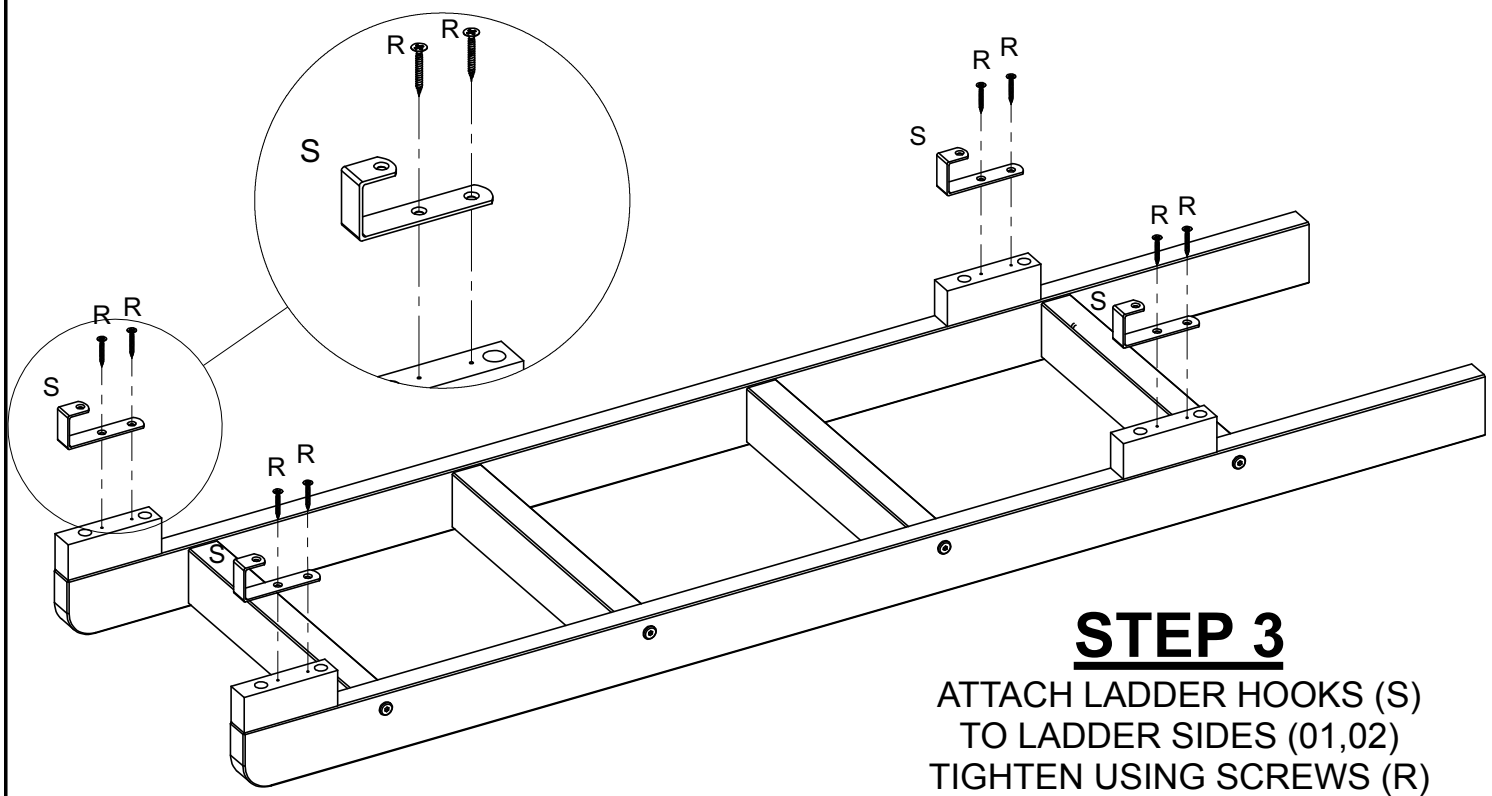
INSERT DOWELS (O)



STEP 2


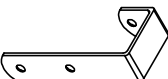
INSERT LADDER RUNGS (03)
TO LADDER SIDES (01,02)
TIGHTEN USING BOLTS (Q)

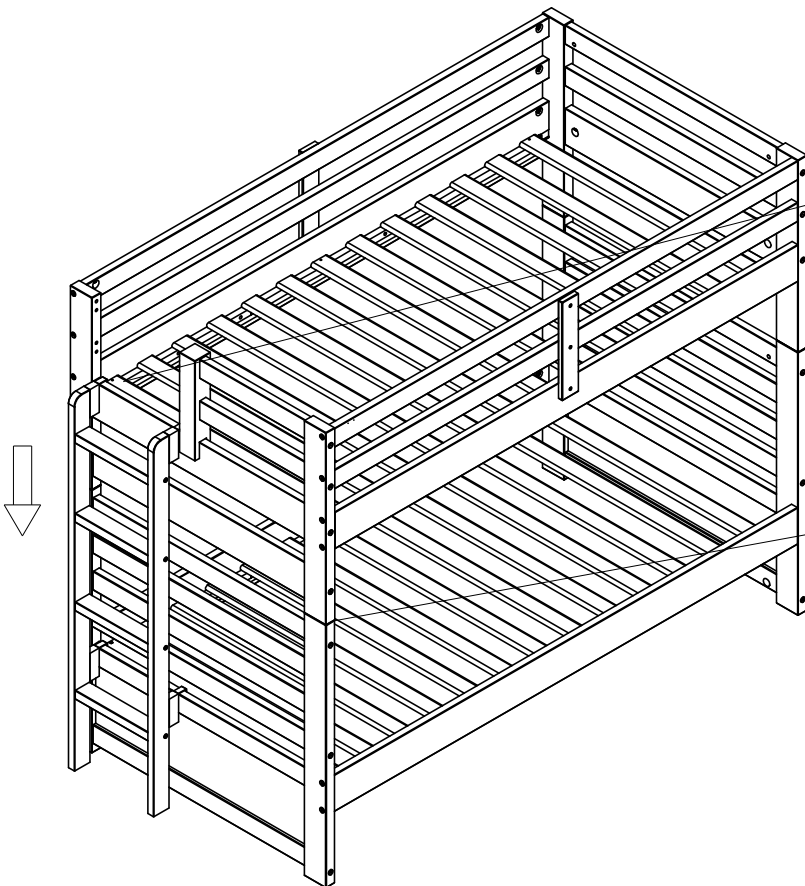




STEP 3


ATTACH LADDER HOOKS (S)
TO LADDER SIDES (01,02)
TIGHTEN USING SCREWS (R)

R		CC 3,5X25	08
S			04



STEP 4

ATTACH THE LADDER TO THE BUNK
TIGHTEN USING SCREWS (R)

R		CC 3,5X25	04
----------	---	-----------	-----------