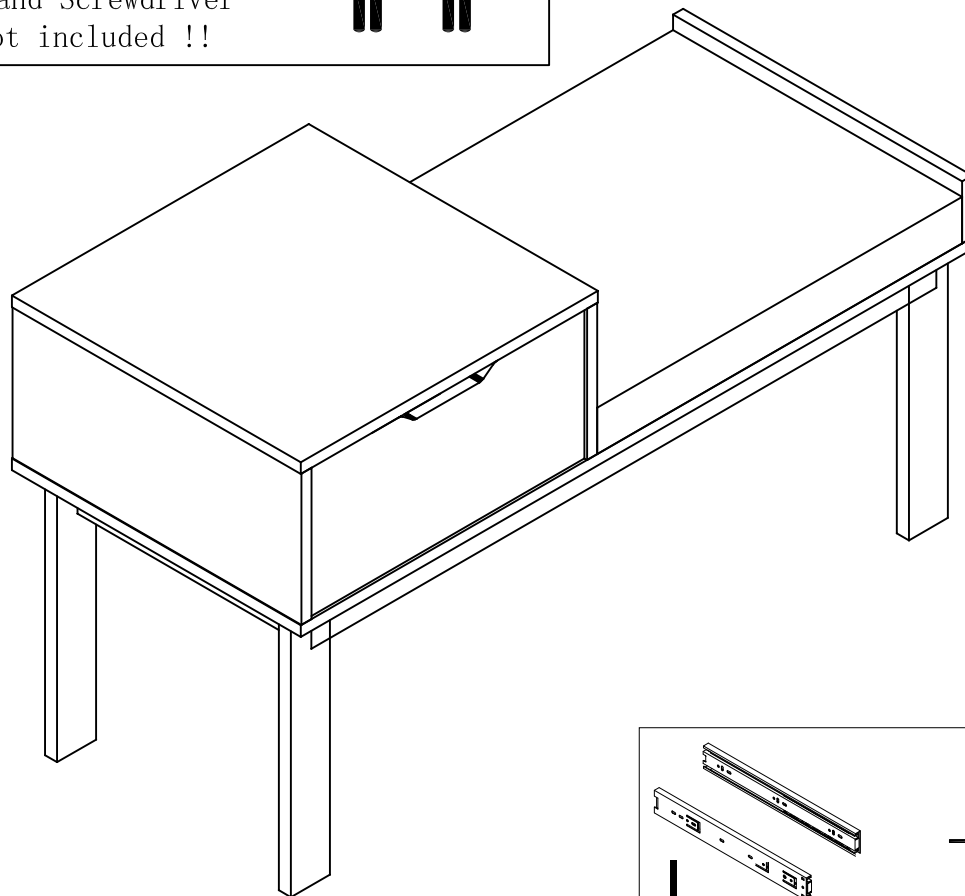
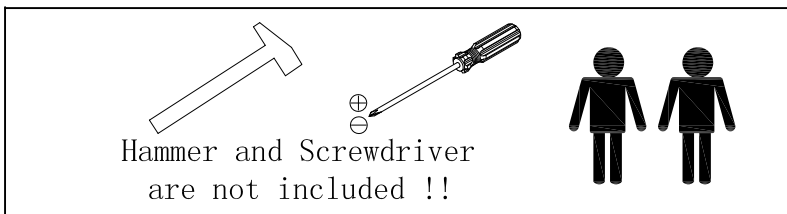
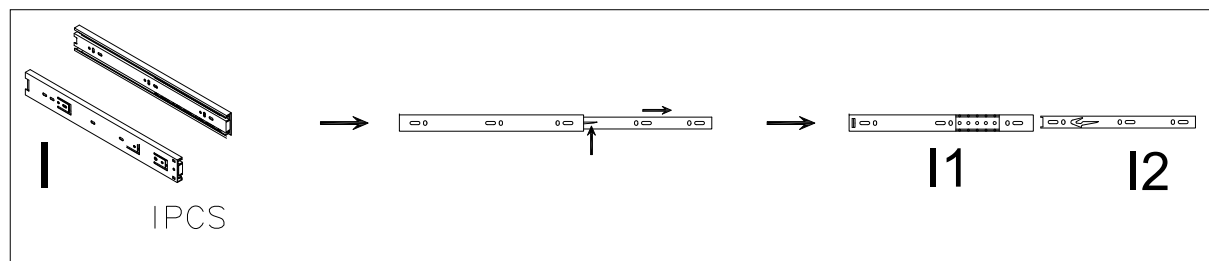


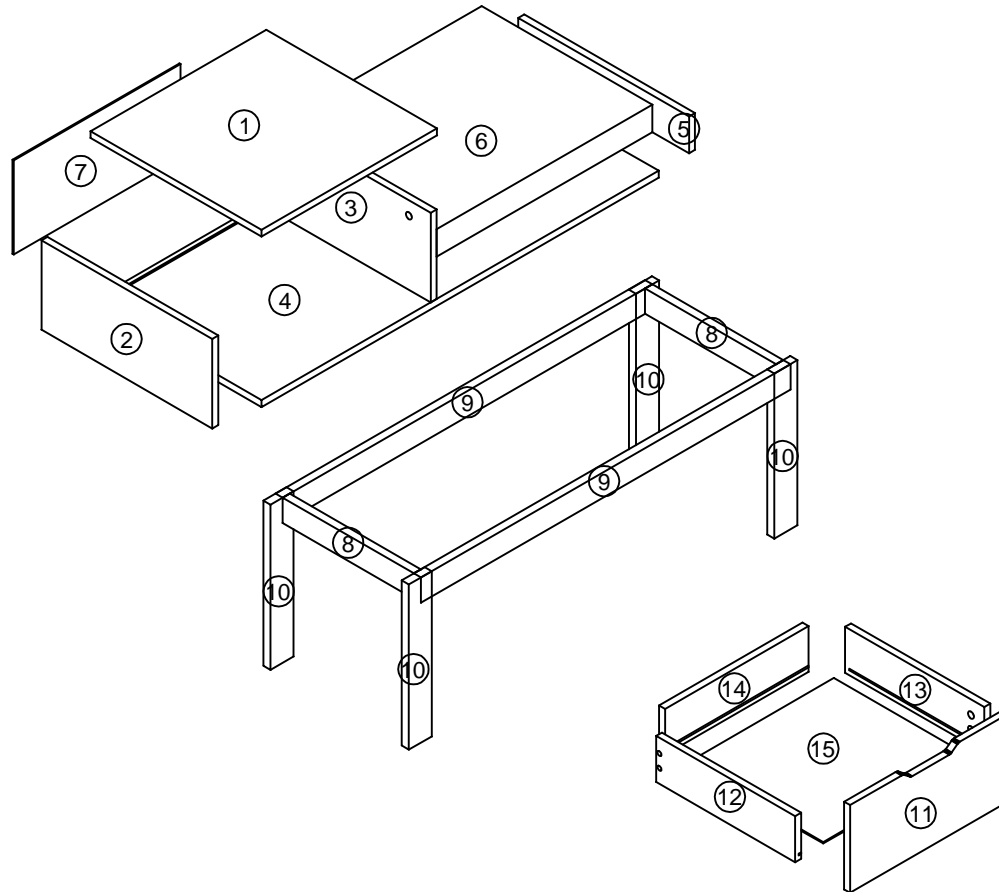
# Assembly Instruction



NO.	QTY.	LINEDRAWING
(A)	8	
(B)	8	
(C)	4	
(D)	6	7x50
(E)	4	3.5x35
(F)	10	3.5x14
(G)	8	8x50
(H)	1	
(I)	1	I1 I2  
(J)	8	
(K)	1	

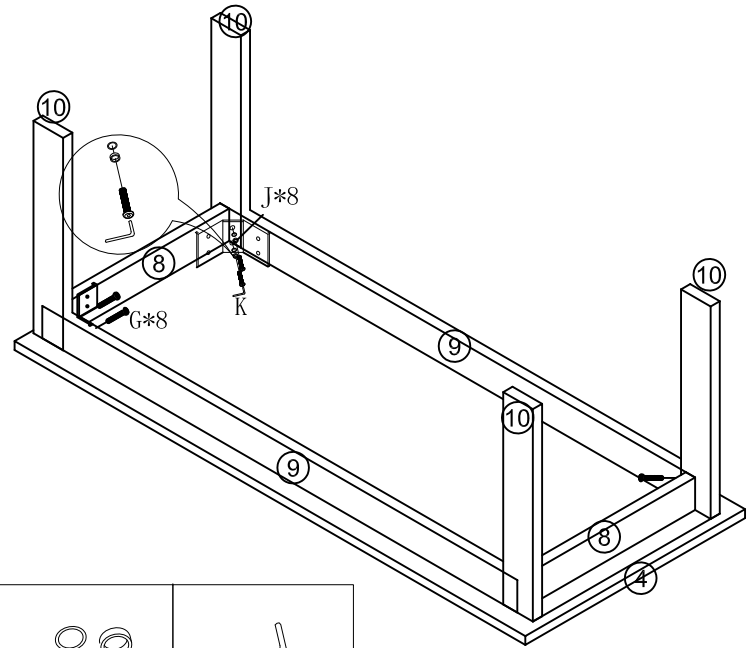





# PARTS LIST



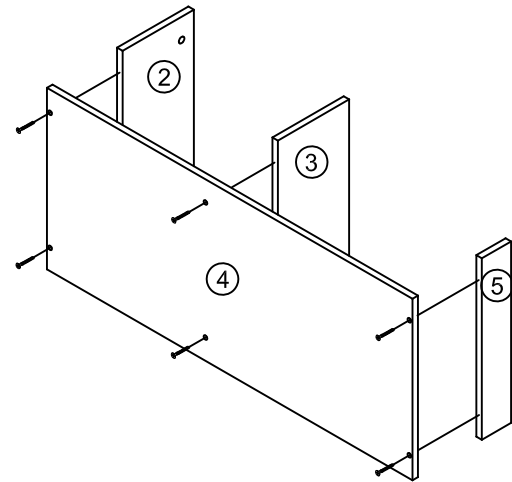
NO.	QTY.	NO.	QTY.
①	1	⑩	1
②	1	⑪	1
③	1	⑫	1
④	1	⑬	1
⑤	3	⑭	1
⑥	2	⑮	1
⑦	1		
⑧	1		
⑨	1		

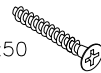
1



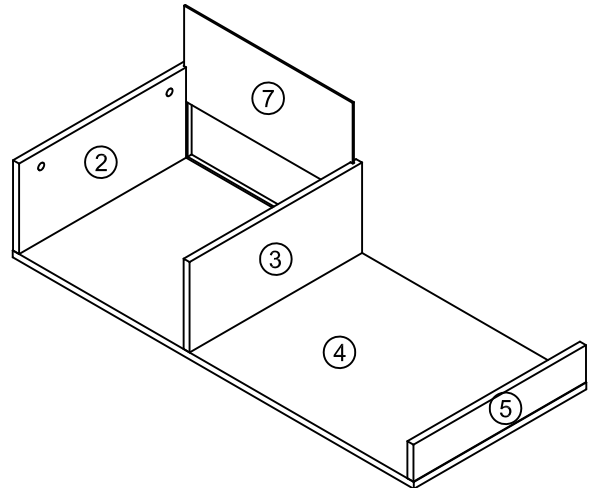
 G 8x	 J 8x	 K 1x
--	--	--


2



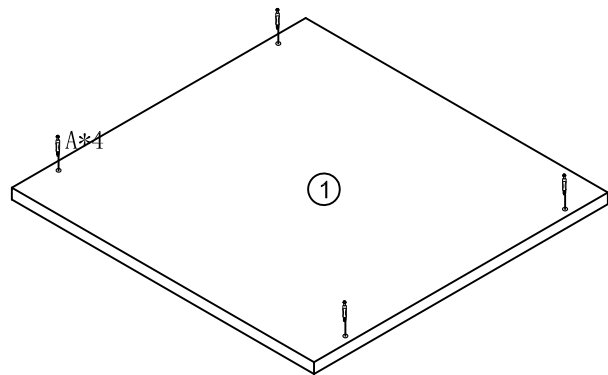
 D 6x
--

3

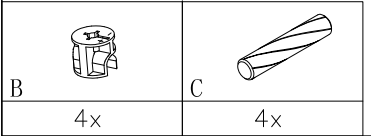
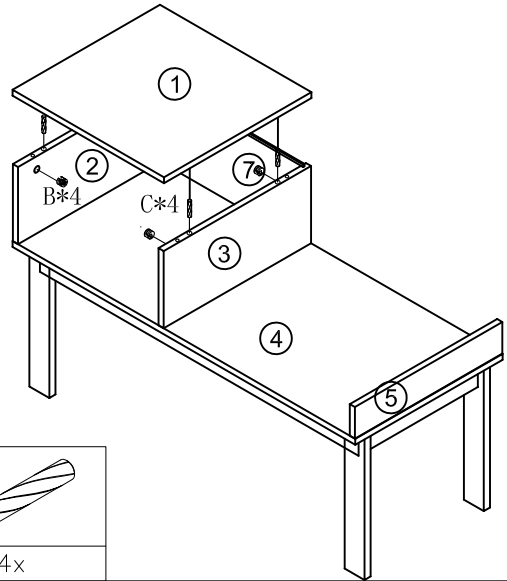


 A 4x
--

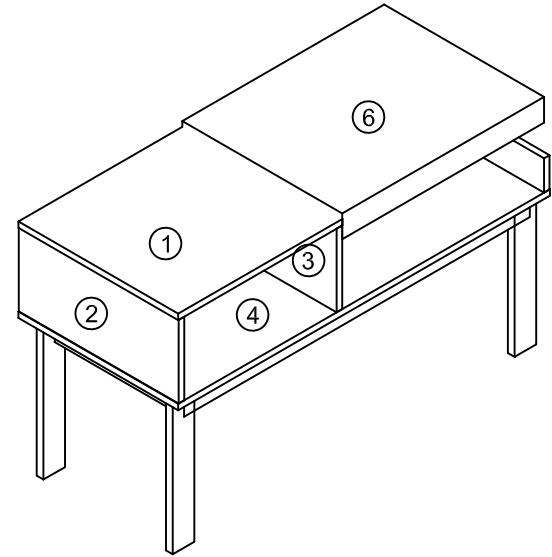
4



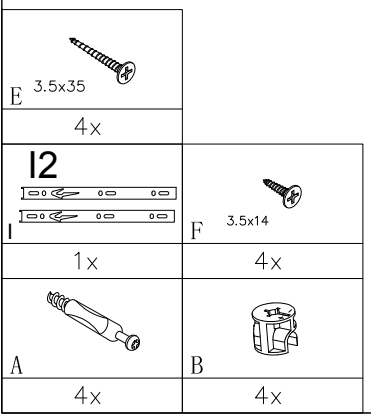
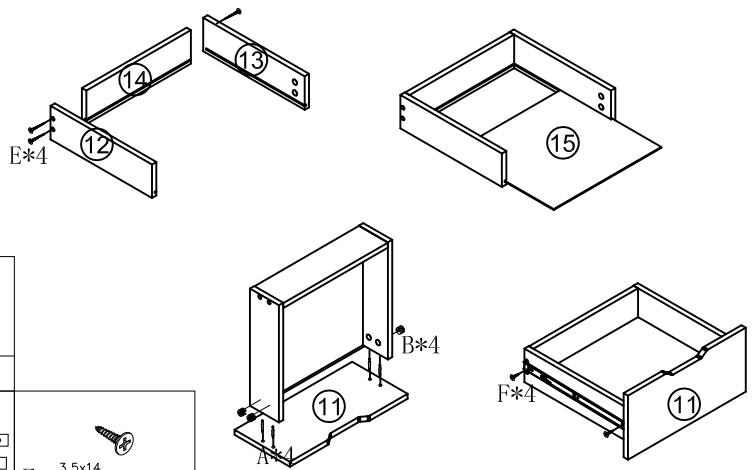
5



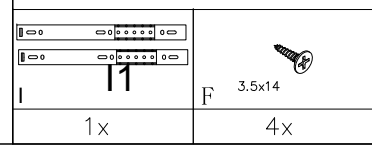
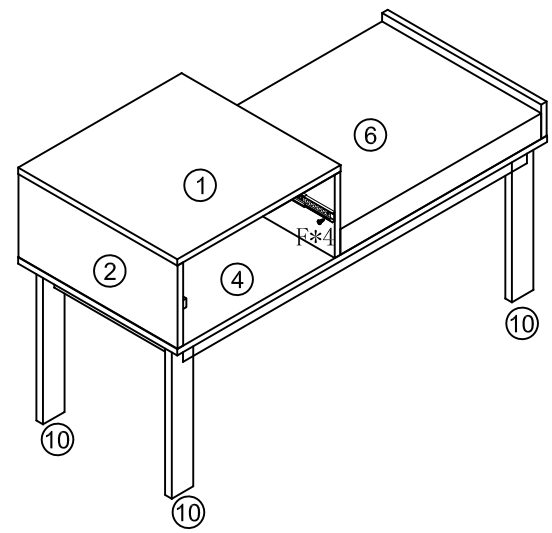
6



7



8



9

